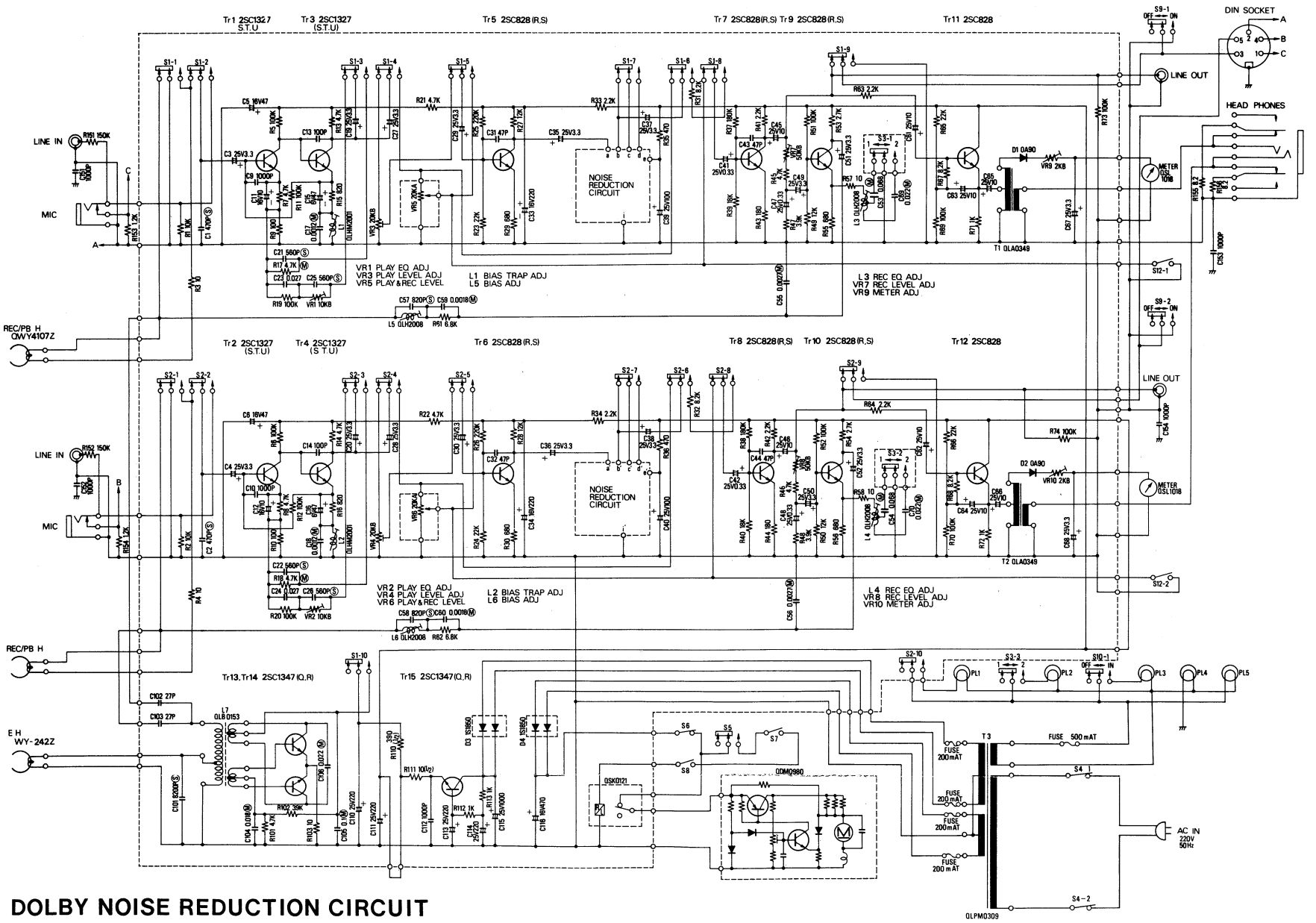
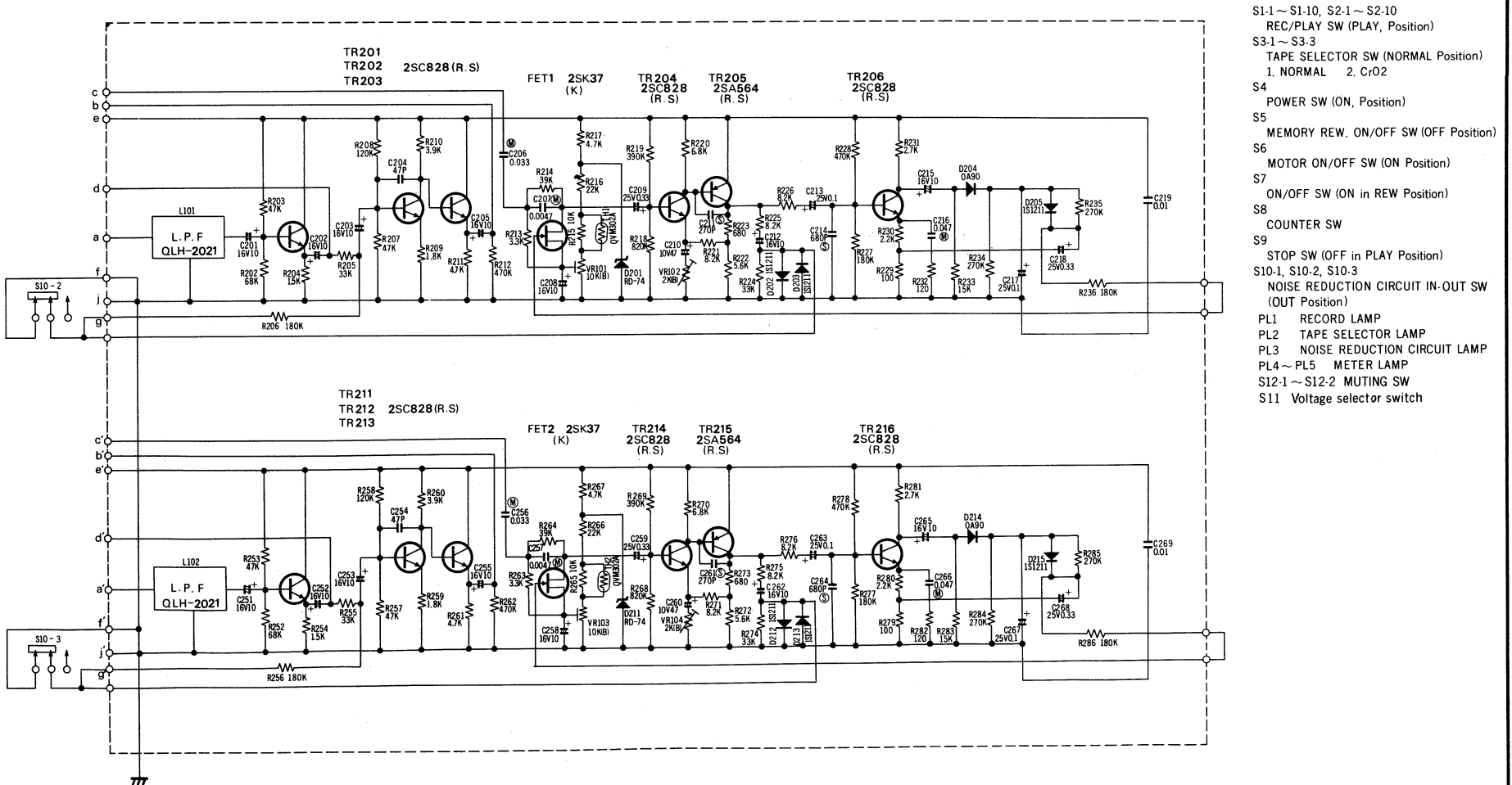


TAPE DECK MODEL RS-263USD SCHEMATIC DIAGRAM

PRE-AMPLIFIER UNIT



DOLBY NOISE REDUCTION CIRCUIT



- S1-1 ~ S1-10, S2-1 ~ S2-10
REC/PLAY SW (PLAY, Position)
- S3-1 ~ S3-3
TAPE SELECTOR SW (NORMAL Position)
- 1. NORMAL 2. CrO2
- S4
POWER SW (ON, Position)
- S5
MEMORY REW. ON/OFF SW (OFF Position)
- S6
MOTOR ON/OFF SW (ON Position)
- S7
ON/OFF SW (ON in REW Position)
- S8
COUNTER SW
- S9
STOP SW (OFF in PLAY Position)
- S10-1, S10-2, S10-3
NOISE REDUCTION CIRCUIT IN-OUT SW (OUT Position)
- PL1 RECORD LAMP
- PL2 TAPE SELECTOR LAMP
- PL3 NOISE REDUCTION CIRCUIT LAMP
- PL4 ~ PL5 METER LAMP
- S12-1 ~ S12-2 MUTING SW
- S11 Voltage selector switch

* This schematic diagram is subject to change, to accommodate improvements in design.