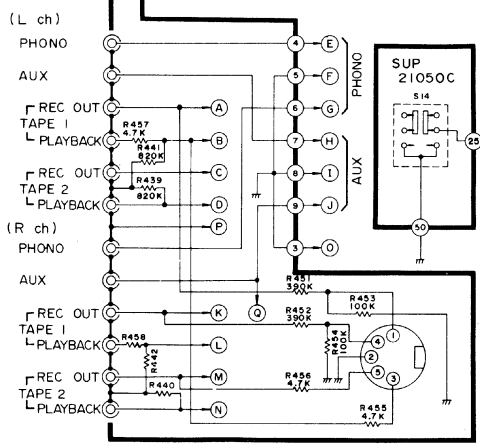
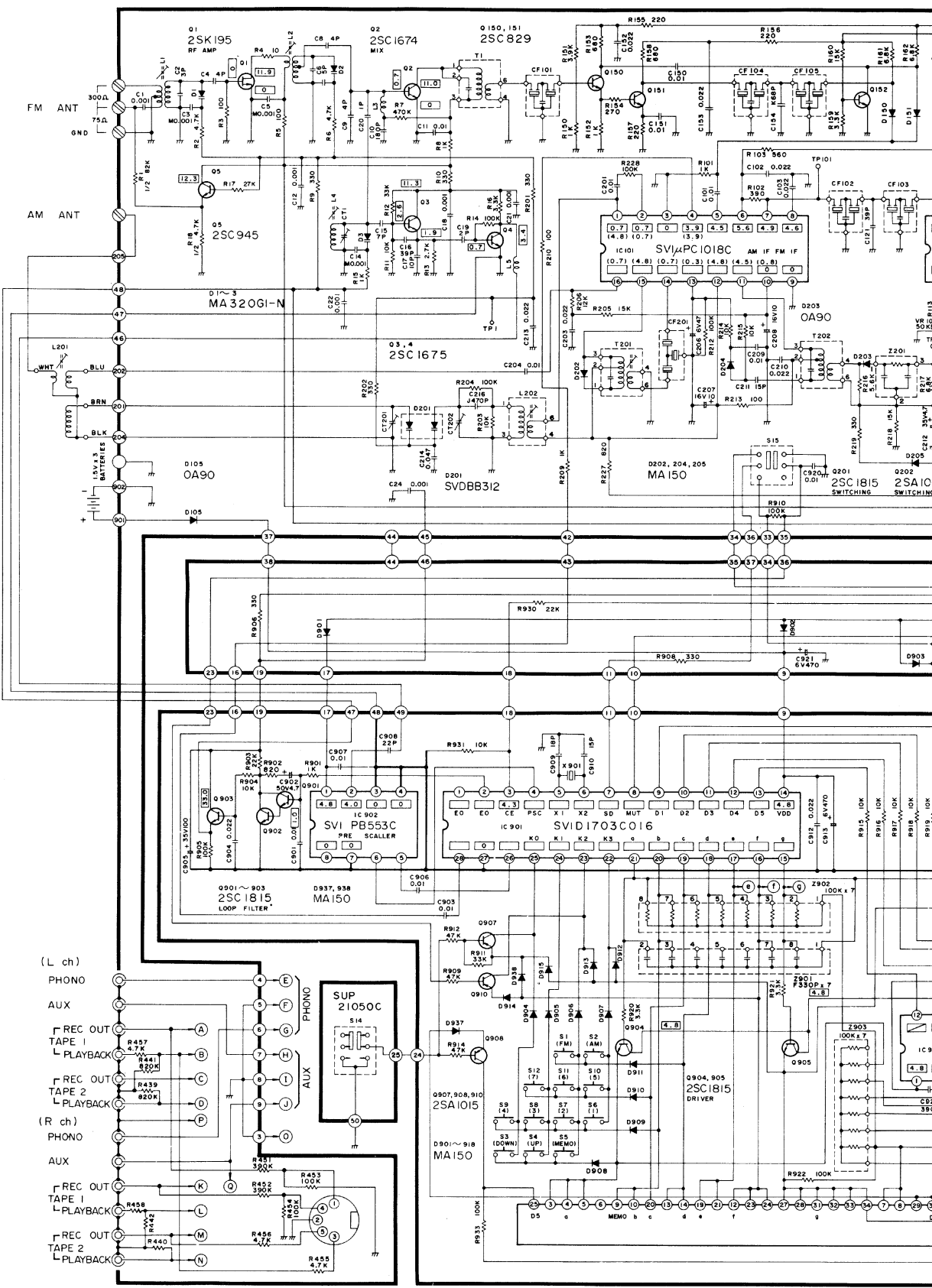
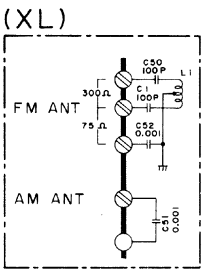


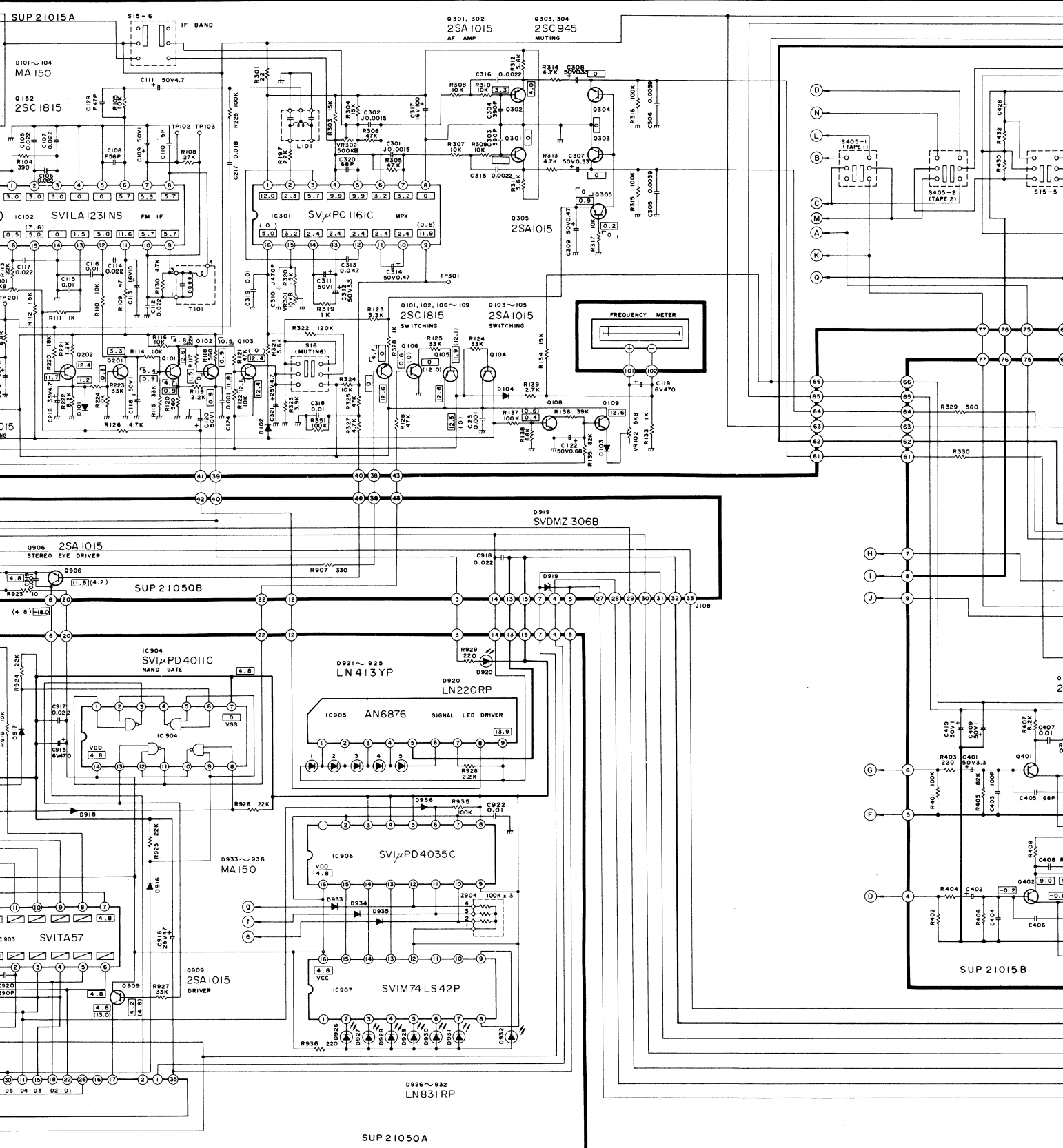
# Schematic Diagram . . . Model SA-424 TEHNICS (This schematic diagram may be)



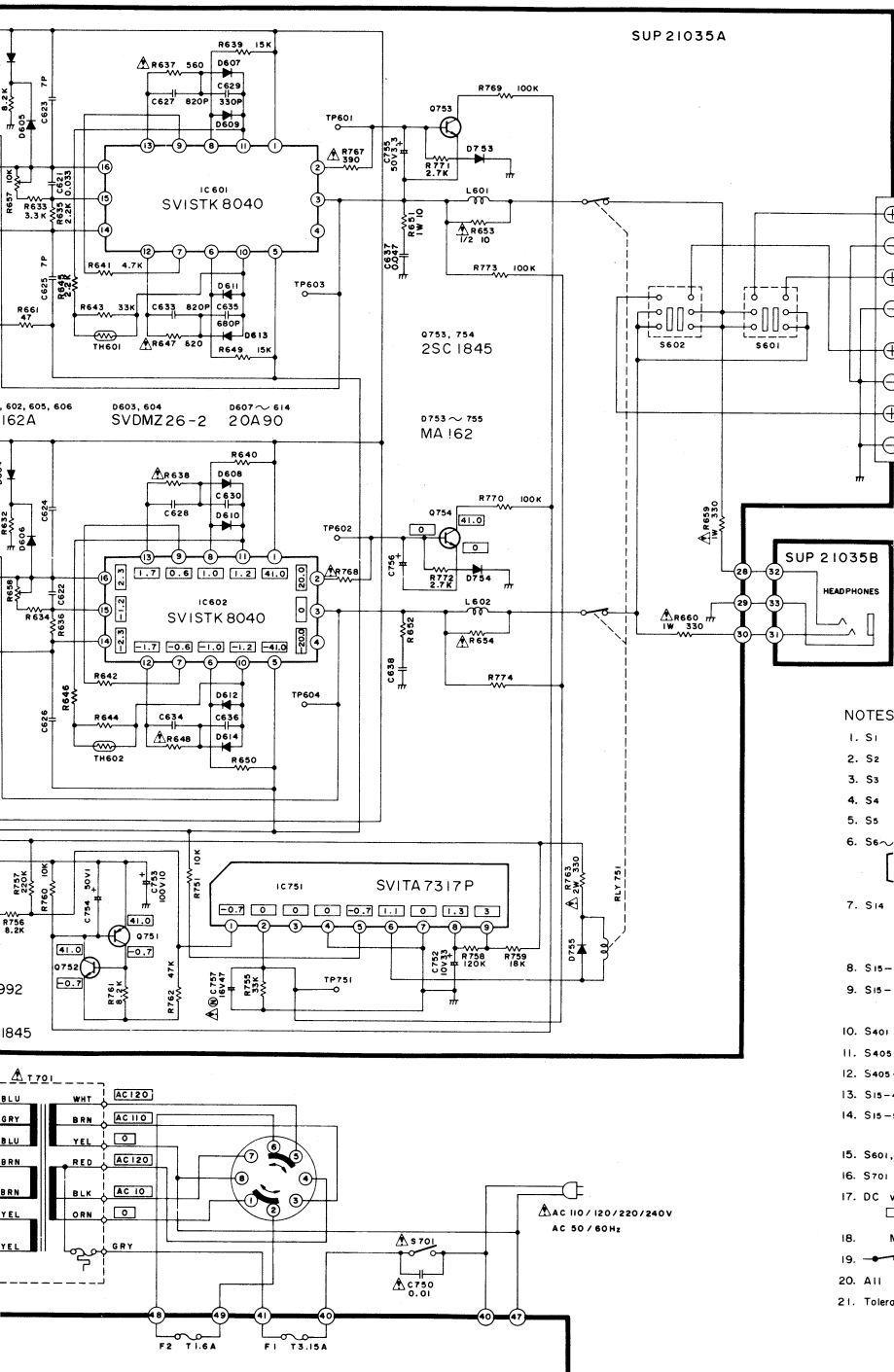
www.microelectronic.co.yu  
microe@ptt.yu



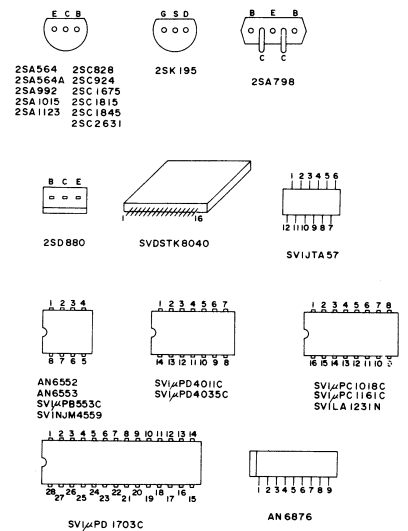
be modified at any time with the development of new technology)







TERMINAL GUIDE (BOTTOM & SIDE VIEW)



NOTES

1. S1 FM tuner selector switch
2. S2 AM tuner selector switch
3. S3 Manual tuner "down" switch
4. S4 Manual tuner "up" switch
5. S5 Memory set switch
6. S6~12 Preset tuner switch  
 [ S6 — 1 ch, S7 — 2 ch, S8 — 3 ch, S9 — 4 ch,  
 S10 — 5 ch, S11 — 6 ch, S12 — 7 ch
7. S14 FM AM allocation selector switch in "FM 200kHz, AM 10kHz" step position  
 FM 200kHz → 50kHz  
 AM 10kHz → 9kHz
8. S15-1 Auto scan switch in "on" position
9. S15-3 FM muting/FM mode switch in "on/FM auto" position  
 on/FM auto — off/FM mono
10. S401 Input selector in "tuner" position
11. S405-1, 405-2 Tape monitor switch in "source" position
12. S405-3 Loudness switch in "off" position
13. S15-4 Subsonic filter switch in "off" position
14. S15-5 High filter switch in "off" position.  
 S15-6 IF Band selector switch in "normal" position.
15. S601, 602 Speaker selector switch
16. S701 Power switch in "on" position
17. DC voltage measurements are taken with DC VTVM from chassis ground.  
 □ FM ( ) FM stereo ( ) AM  Muting on
18. Marks are safety parts. ● Marks are T. C. ceramic capacitors.
19.  Marks are shorting type switch.  Marks are nonshorting type switch.
20. All the resistors otherwise noticed are 1/4W or 1/8W 5% carbon film resistors.
21. Tolerance  
 J=±5% (No mark parts), K=±10%, M=±20%, F=±1%,  
 Z=±20%, C=0.25PF, G=0.5PF