



HI-FI COMPONENTS

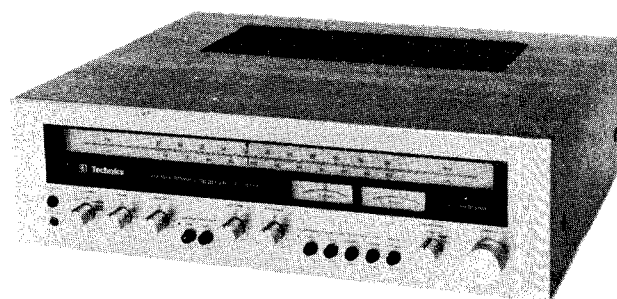


Service Manual

FM/AM STEREO RECEIVER



MODEL SA-5250



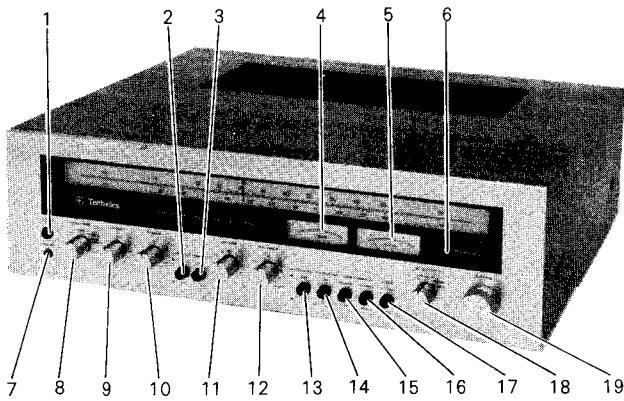
MODEL SA-5550

TECHNICAL SPECIFICATIONS (IHF)	SA-5250	SA-5550
AMPLIFIER SECTION		
1 kHz continuous power	34W+34W (4Ω) 27W+27W (8Ω)	80W+80W (4Ω) 62W+62W (8Ω)
20 Hz~20 kHz continuous power	26W+26W (4Ω) 23W+23W (8Ω)	72W+72W (4Ω) 58W+58W (8Ω)
Power bandwidth (both channels driven 8Ω)	5Hz~35kHz, -3dB	5Hz~45kHz, -3dB
Total harmonic distortion	0.5%	0.3%
Intermodulation distortion	0.7%	0.4%
Damping factor	20 (8Ω)10 (4Ω)	40(8Ω)20 (4Ω)
Input sensitivity and impedance	2mV/50kΩ	2mV/50kΩ
PHONO	180mV/40kΩ	180mV/40kΩ
AUX	180mV/40kΩ	180mV/40kΩ
TAPE 1,2 PLAYBACK	180mV/40kΩ	180mV/40kΩ
TAPE 1 REC/PLAY input	180mV/40kΩ	180mV/40kΩ
S/N (IHF, A)	70 dB	70 dB
PHONO	90 dB	90 dB
AUX	RIAA standard curve ±0.5 dB	RIAA standard curve ±0.5 dB
Frequency response	6Hz~60kHz, ±1 dB	5Hz~80kHz, ±1 dB
PHONO	50Hz, +10dB~-10dB	50Hz, +10dB~-10dB
AUX	10kHz, +10dB~-10dB	10kHz, +10dB~-10dB
Tone control	50Hz, +10dB	50Hz, +10dB
BASS		
TREBLE		
Loudness control (volume at -30dB)		150Hz, -6dB/oct.
Low filter		7kHz, -6dB/oct.
High filter		
Output voltage TAPE 1, 2 (REC OUT)	180mV	180mV
TAPE 1 REC/PLAY output	30mV	30mV
FM TUNER SECTION		
Frequency range	88~108MHz	88~108 MHz
Sensitivity	1.9 μV	1.8 μV
Total harmonic distortion	0.4%	0.4%
STEREO	0.3%	0.2%
MONO	70 dB	70 dB
S/N	20Hz~13kHz, ±1 dB	20Hz~5kHz, ±1 dB
Frequency response	70 dB	70 dB
Alternate channel selectivity	1.6 dB	1.6 dB
Capture ratio	50 dB	50 dB
Image rejection at 98 MHz	70 dB	70 dB
IF rejection at 98 MHz	65 dB	65 dB
Spurious response rejection at 98 MHz	50 dB	50 dB
AM suppression	40 dB	40 dB
Stereo separation	1 kHz	30 dB
10 kHz	30 dB	-55 dB
Leak carrier	-45 dB	
AM TUNER SECTION		
Frequency range	520~1610 kHz	500~1610 kHz
Sensitivity	30 μV, 250 μV/m	30 μV, 230 μV/m
Selectivity	25 dB	25 dB
Image rejection at 1,000 kHz	45 dB	45 dB
IF rejection at 1,000 kHz	40 dB	40 dB
GENERAL		
Power consumption	270W	610W
Power supply	110/120/220/240V	110/120/220/240V
Dimensions (W×H×D)	16 1/2" × 5 1/2" × 13 1/2" (420×140×355) mm	18 1/2" × 5 1/2" × 15 1/2" (459×140×400) mm
Weight	18.3 lb. (8.3 kg)	22 1/2 lb. (12.8 kg)

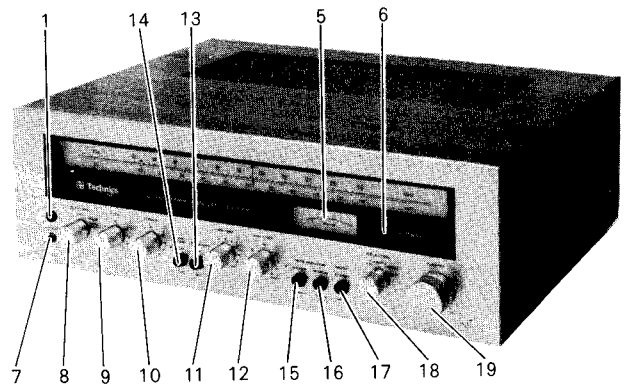
For accommodating future improvements, specifications are subject to change without notice.

Matsushita Electric
 Matsushita Electric Trading Co., Ltd.
 P. O. Box 288, Central Osaka, Japan

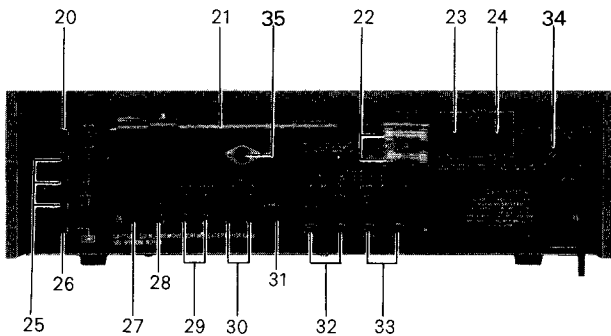
LOCATION OF CONTROLS



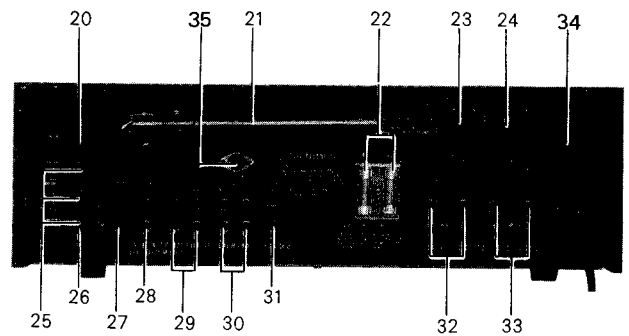
SA-5550



SA-5250



SA-5550



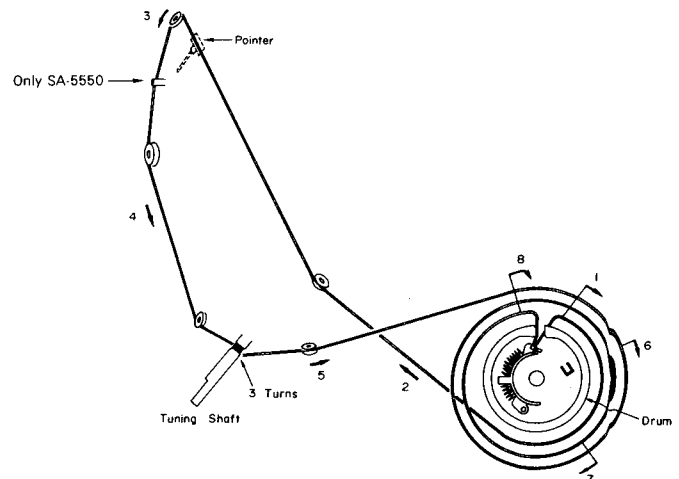
SA-5250

- | | | |
|---|---|--|
| <ol style="list-style-type: none"> 1. POWER SOURCE SWITCH 2. LOW FILTER SWITCH 3. HIGH FILTER SWITCH 4. FM TUNING METER 5. SIGNAL METER 6. STEREO INDICATOR (STEREO EYE) 7. HEADPHONES JACK 8. SPEAKERS SELECTOR SWITCH 9. BASS CONTROL 10. TREBLE CONTROL 11. VOLUME CONTROL 12. BALANCE CONTROL | <ol style="list-style-type: none"> 13. LOUDNESS SWITCH 14. FM MUTING SWITCH 15. TAPE MONITOR (TAPE 1) SWITCH 16. TAPE MONITOR (TAPE 2) SWITCH 17. MODE SWITCH 18. SELECTOR SWITCH 19. TUNING CONTROL 20. AM ANTENNA TERMINAL 21. AM FERRITE CORE ANTENNA 22. CIRCUIT PROTECTION FUSES 23. AC OUTLET (Switched) 24. AC OUTLET (Unswitched) | <ol style="list-style-type: none"> 25. FM ANTENNA TERMINALS 26. GROUND TERMINAL 27. PHONO INPUT TERMINALS 28. AUX INPUT TERMINALS 29. TAPE MONITOR (TAPE 2) TERMINALS 30. TAPE MONITOR (TAPE 1) TERMINALS 31. 4CH MPX OUTPUT TERMINAL 32. MAIN SPEAKER TERMINALS 33. REMOTE SPEAKER TERMINALS 34. VOLTAGE SELECTOR SWITCH 35. TAPE MONITOR 1 DIN SOCKET |
|---|---|--|

Not attach for England

DIAL CORD INSTALLATION GUIDE

1. Dial cord length is $90 \frac{3}{8}$ " (230cm).
2. Tuning gang is positioned at maximum capacity. (Frequency is minimum)
3. Arrow marks (1~8) indicate correct order and direction of stringing dial cord.



ALIGNMENT INSTRUCTIONS.....READ CAREFULLY BEFORE ATTEMPTING ALIGNMENT

Note : The "IcQ" adjustment should be started 1~2 minutes after setting the power switch to the ON position.

CIRCUIT	DC VTVM CONNECTION	ADJUSTMENT POINTS	REMARKS
MAIN AMP ALIGNMENT.....Only Model SA-5550			
1	DC UNBALANCE Connect DC VTVM between point ⑤ and point ⑥ (Left and Right channels)	VR601 [Left and Right channel]	Make sure that DC VTVM becomes 0mV.
2	IcQ Connect DC VTVM between point ⑧ [Positive side] and point ⑤ [Negative Side]. (Left and Right channels)	VR602 [Left and Right channel]	Make adjustments so that the indication on DC VTVM becomes 3 mV.

MAIN AMP ALIGNMENT.....Only Model SA-5250			
3	IcQ Connect DC VTVM between point ⑥ [Positive side] and point ⑤ [Negative side]. (Left and Right channels)	VR601 [Left and Right channel]	Make adjustment so that the indication on DC VTVM becomes 5 mV.

Notes :

- | | |
|--|---|
| <p>1. Volume controlMaximum
Variable (FM-IF Alignment)</p> <p>2. Balance controlCenter</p> <p>3. Mode switchStereo</p> <p>4. FM muting switchOff</p> <p>5. Selector switchAM (AM Alignment)
FM Auto (FM Alignment)</p> | <p>6. Tape monitor switch.....Source</p> <p>7. Maintain line voltage at rated voltage.</p> <p>8. Output of signal generator should be no higher than necessary to obtain an output reading.</p> |
|--|---|

SIGNAL GENERATOR or SWEEP GENERATOR		RECEIVER DIAL SETTING	VTVM or SCOPE CONNECTION		ADJUSTMENT POINTS		REMARKS
CONNECTION	FREQUENCY	[DISTANCE]	SA-5550	SA-5250	SA-5550	SA-5250	

AM ALIGNMENT								
4	High side through 0.001μF to TP5, Common to chassis.	455 kHz Set for England to 470kHz	Point of non-interference.	TP1	TP1	Coil T2 (1st IF) T3 (2nd IF)	Coil T1 (1st IF) T2 (2nd IF)	Adjust for maximum output.
5	Fashion loop of several turns of wire and radiate signal into loop of receiver.	600 kHz (30% Mod. with 400Hz)	600 kHz [15.7mm (5/8")]	Speaker terminals of set.		Coil T1 (OSC) L10 (ANT)	Coil L9 (OSC) L8 (ANT)	Adjust for maximum output.
6		1500 kHz (30% Mod. with 400Hz)	1500 kHz [191.3mm (7 17/32")]	Speaker terminals of set.		Trimmer CT5 (OSC) CT4 (ANT)	Trimmer CT4 (OSC) CT3 (ANT)	Adjust for maximum output. Repeat steps (5) and (6).

FM-IF ALIGNMENT								
7	/	/	Point of non-interference.	Speaker terminals of set		T101 (DISCRI) [Primary]	T102 (DISCRI) [Primary]	Adjust for maximum output noise.
8	/	/	Point of non-interference.	Between TP4 and 101 terminal		T101 (DISCRI) [Secondary]	T101 (DISCRI) [Secondary]	SA-5550...Adjust for center of tuning meter indication. SA-5250...Make sure that DC VTVM becomes 0V.

FM-RF ALIGNMENT								
9	Connect to FM antenna terminal through FM dummy antenna (300Ω).	90 MHz (100% Mod. with 400Hz)	90 MHz [29.2mm (1 1/8")]	Speaker terminals of set.		L6 (FM OSC Coil)* L4 (FM DET Coil) L2 (FM ANT Coil)		Adjust for maximum output.
10		106 MHz (100% Mod. with 400Hz)	106 MHz [186.2mm (7 5/16")]	Speaker terminals of set.		Trimmer CT3 (OSC) CT2 (DET) CT1 (ANT)	Trimmer CT5 (OSC) CT2 (DET) CT1 (ANT)	Adjust for maximum output.

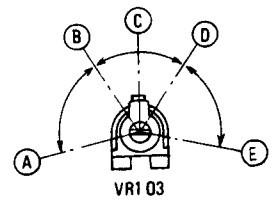
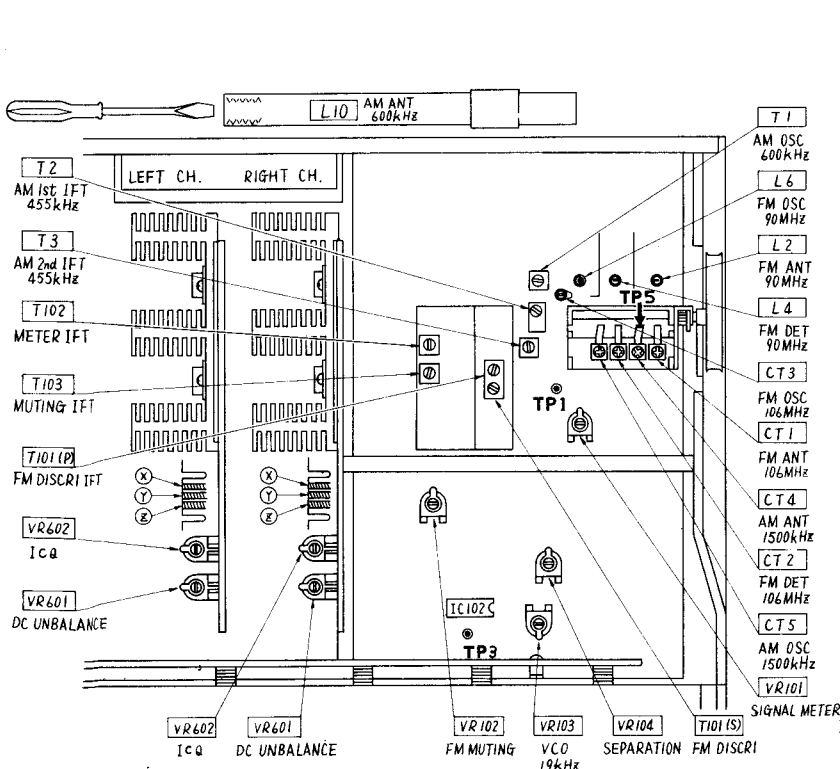
* Use six cornered alignment tool for aligning FM OSC coil (L6).

FM-MONO DISTORTION ALIGNMENT								
11	Connect to FM antenna terminal through FM dummy antenna (300Ω).	98 MHz (100% Mod. with 400Hz)	98 MHz	Connect distortion meter to speaker terminals.		T101 (FM DISCRI) [Primary]	T102 [Primary]	Adjust for minimum distortion
12	/	/	Point of non-interference.	Connect DC VTVM to TP4 and 101 terminal.		T102 (FM DISCRI) [Secondary]	T101 [Secondary]	SA-5550...Adjust for center of tuning meter indication. SA-5250...Make sure that DC VTVM becomes 0V.

SIGNAL METER ALIGNMENT								
13	Connect to FM antenna terminal through FM dummy antenna (300Ω).	98 MHz (30% Mod. with 400Hz)	98 MHz	Signal meter of set.		T102	T104	Adjust for maximum indication.
14		[Output 22 dB]				T103	T103	Adjust for minimum indication.
15		98 MHz (30% Mod. with 400Hz)	98 MHz	Signal meter of set.		VR101	VR102	Adjust for about 4.7 point of signal meter indication.

SIGNAL GENERATOR		RECEIVER DIAL SETTING	VTVM or SCOPE CONNECTION		ADJUSTMENT POINTS		REMARKS
CONNECTION	FREQUENCY		SA-5550	SA-5250	SA-5550	SA-5250	
MUTING LEVEL ALIGNMENT							
Note : FM muting switch to ON position.							
16	Connect to FM antenna terminal through FM dummy antenna (300Ω).	98 MHz 100% Mod. with 400Hz [Output 28dB, IHF]	98 MHz (Input Level 16dB)	Speaker terminals of set.	VR102	VR101	Adjust so that output can be obtained.
FM MPX PILOT ALIGNMENT							
When use the frequency counter				When not use the frequency counter			
17	① 98 MHz Non-modulation mono signal applied to set. ② Connect the frequency counter through 100 kΩ resistor to TP3, Common to chassis. ③ Adjust VR103 to 19 kHz ± 100 Hz.			① Stereo signal applied to set or receive the FM stereo station. ② Adjust VR103 to lighting point of stereo indicator and sement contactor of VR103 as shown fig. 1.			
Notes :							
Stereo-modulator Connect stereo-modulator output to EXT. MOD. terminal of signal generator.							
Inter OSC 1 kHz Pilot signal modulation 10%							
Signal generator Frequency approximately/98 MHz, Output level/72dB (IHF), Modulation mode to FM							
1. Selector switch FM Auto 3. Mode switch stereo							
2. Balance control Center 4. Maintain line voltage at rated voltage.							
SIGNAL GENERATOR CONNECTION		STEREO MODULATOR MODE and MOD. RATE	INDICATOR (VTVM or SCOPE)	ADJUSTMENT POINTS		REMARKS	
SEPARATION ALIGNMENT							
18	FM antenna terminal through dummy antenna.	L (and R) 30% Mod.	VTVM across speaker terminals through low pass filter. Refer to fig. 2.	VR104		Adjust for minimum right (and left) output.	

SA-5550 ALIGNMENT POINTS



- A~B, D~E: Stereo OFF Position.
- B~D: Stereo ON Position (Indicator Lighting)
- C: Adjust Point of Pilot Circuit.

Fig. 1

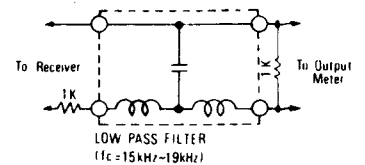
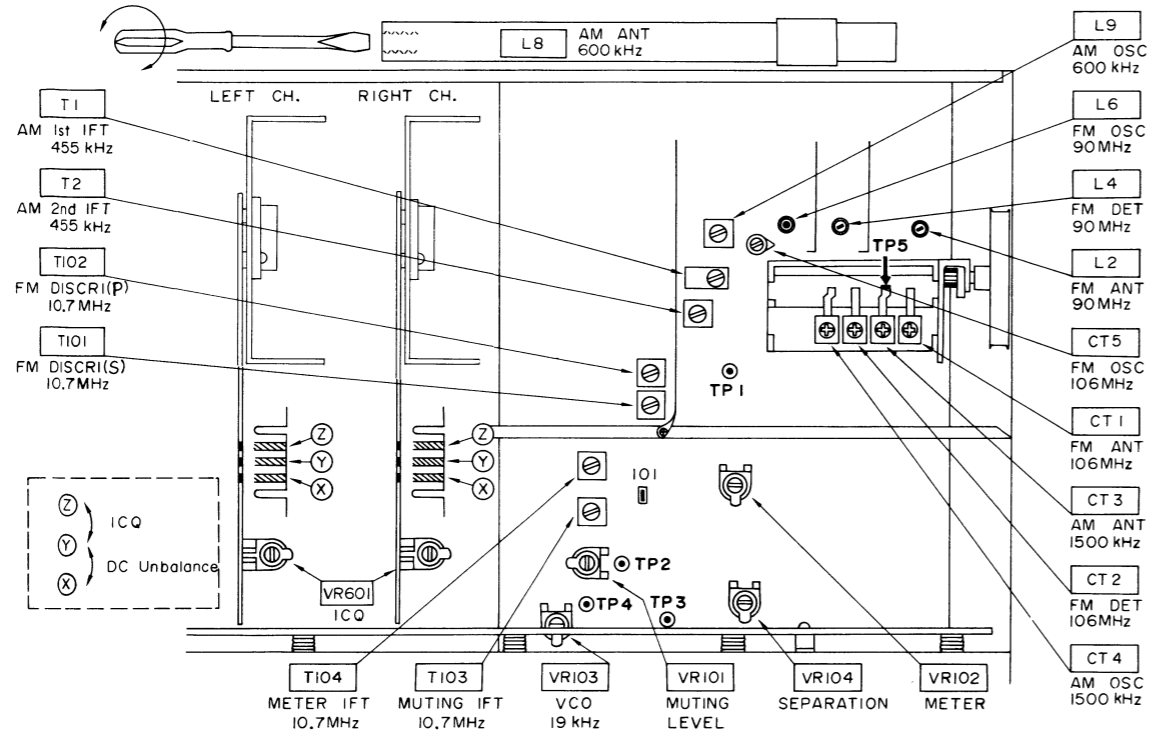
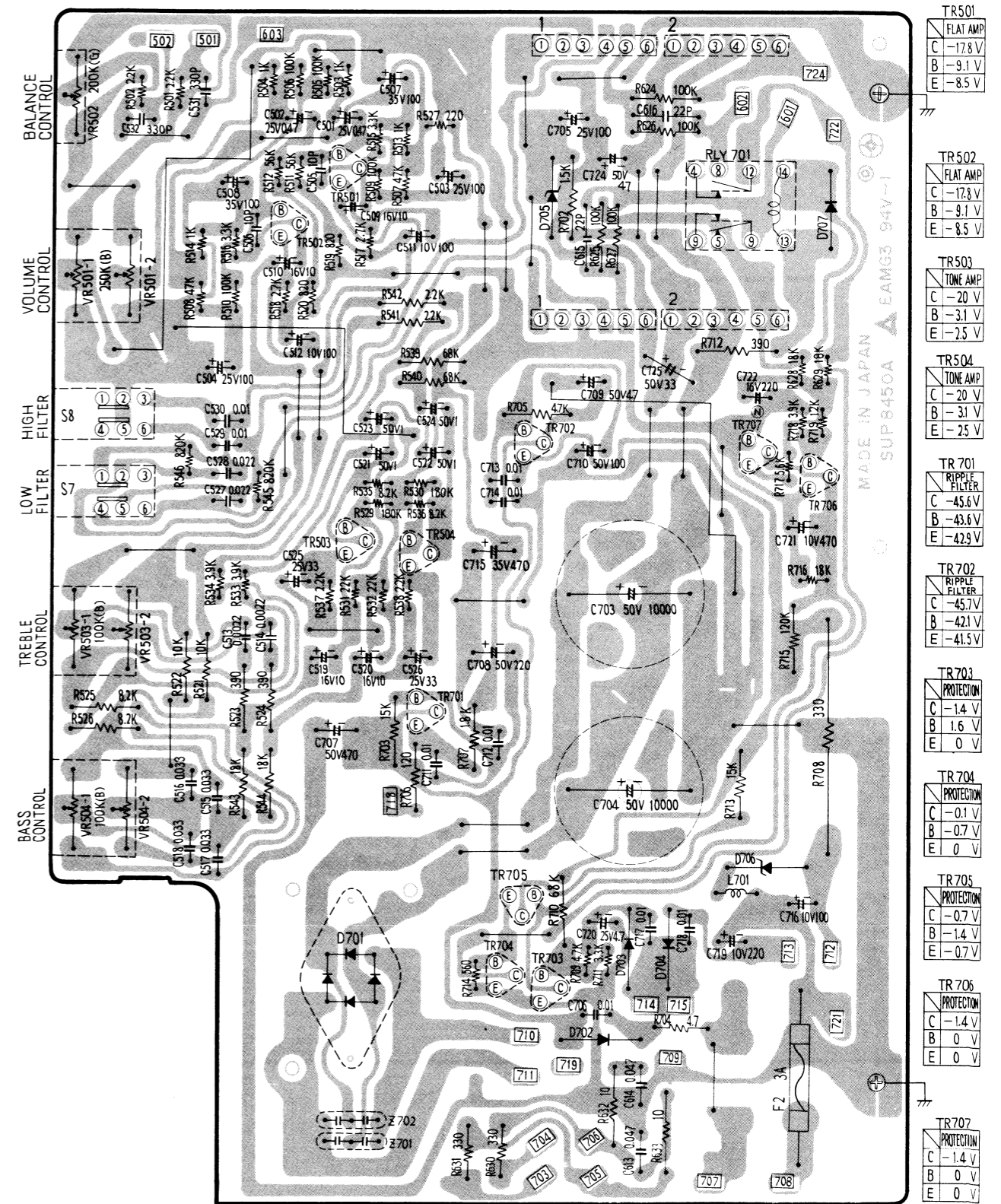
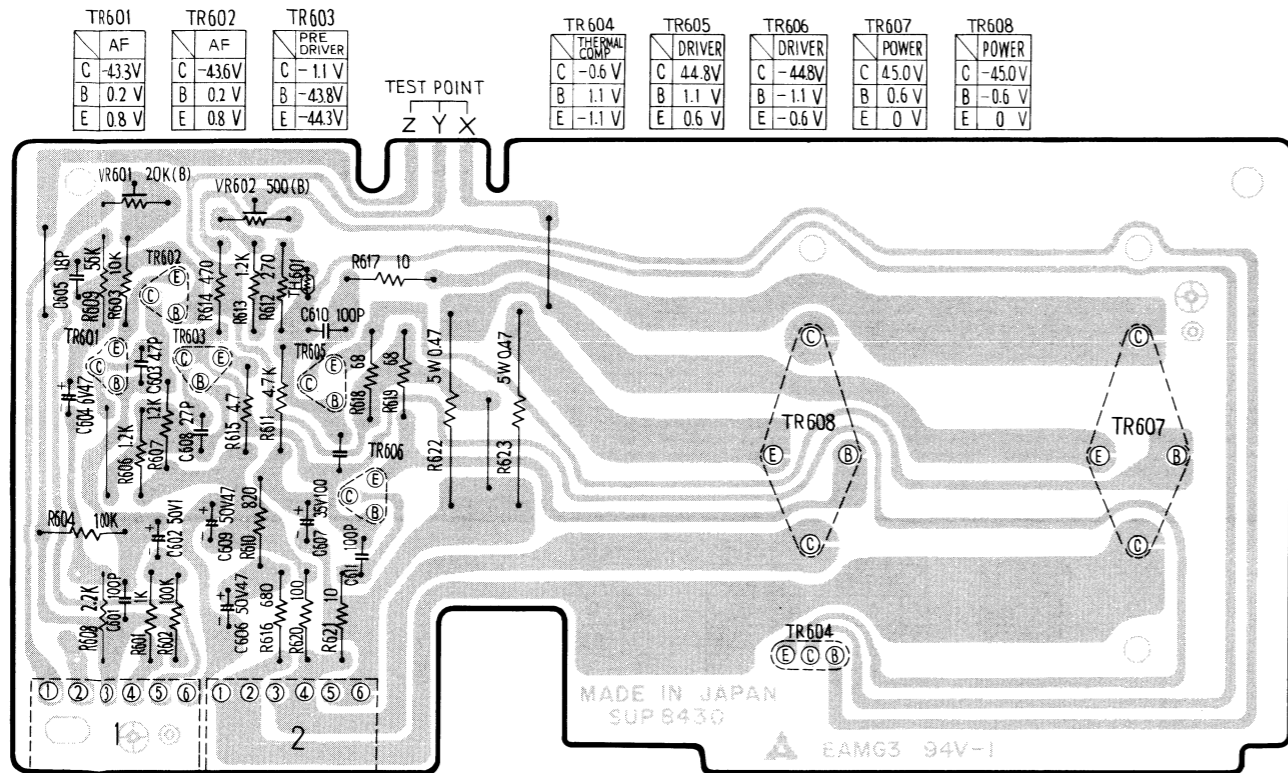


Fig. 2



(Left channel is same as Right channel.)

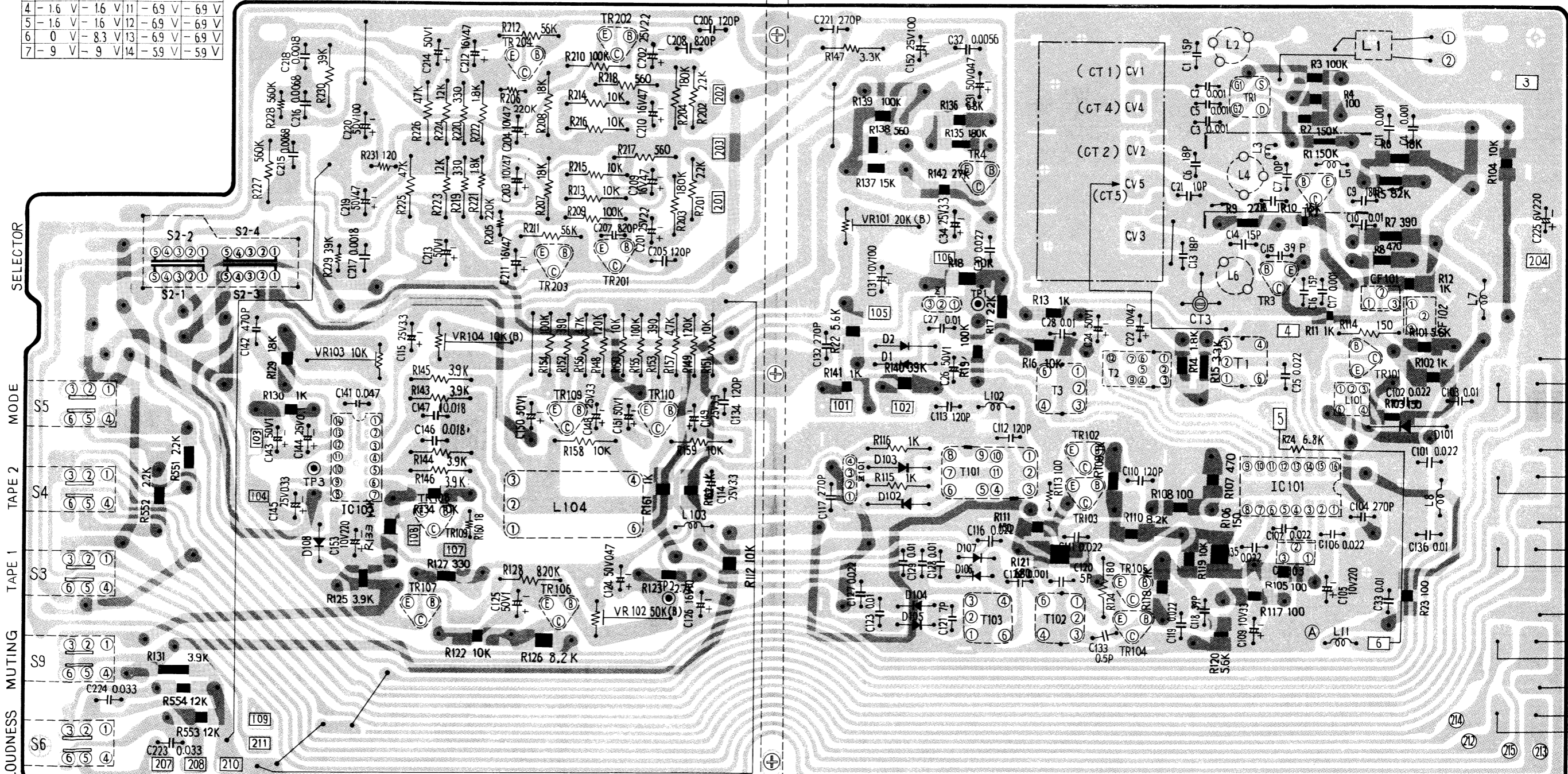


IC 102

	FM MONO	FM STEREO	FM MONO	FM STEREO
1	0 V	0 V	-6.8 V	-6.8 V
2	-6.2 V	-6.2 V	-7 V	-7 V
3	-4.5 V	-4.5 V	-7.5 V	-7.5 V
4	-1.6 V	-1.6 V	-6.9 V	-6.9 V
5	-1.6 V	-1.6 V	-6.9 V	-6.9 V
6	0 V	-8.3 V	-6.9 V	-6.9 V
7	-9 V	-9 V	-5.9 V	-5.9 V

TR204		TR203		TR202		TR201	
	AF		AF		AF		AF
C	-24.1 V	C	-24.1 V	C	-36.4 V	C	-36.4 V
B	-36.4 V	B	-36.4 V	B	-2.7 V	B	-2.7 V
E	-37.1 V	E	-37.1 V	E	-2.2 V	E	-2.2 V

TR4		TR3		TR2		TR1	
	AM-AF		FM-OSC		FM-MIX		FM-RF
C	-11.2 V	C	0 V	C	-0.7 V	D	0 V
B	-1.5 V	B	-4.1 V	B	-7.7 V	G1	-8.8 V
E	-0.9 V	E	-4.8 V	E	-8.4 V	G2	-4.4 V
						S	-8.6 V



TR110		TR109		TR108	
	FM-AF		FM-AF		FM-ST
C	-10.4 V	C	-10.4 V	C	-0.4 V
B	-1.5 V	B	-1.5 V	B	-8.1 V
E	-0.8 V	E	-0.8 V	E	0 V

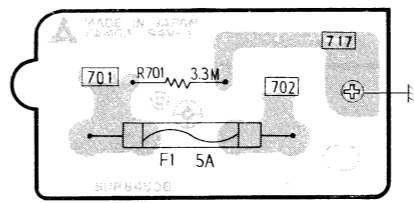
TR107		TR106	
	MUT-ON		MUT-OFF
C	-8.3 V	C	-3.4 V
B	-7.6 V	B	-8.9 V
E	-8.3 V	E	-9 V

TR105		TR104		TR103		TR102		TR101	
	MUTING		MUTING		FM-IF		FM-IF		FM-IF
C	-0.8 V	C	0 V	C	-0.7 V	C	0 V	C	0 V
B	-3.3 V	B	-3.3 V	B	-6.3 V	B	-6.3 V	B	-7.6 V
E	-4 V	E	-4 V	E	-7 V	E	-7 V	E	-8.3 V

IC101

	FM	AM
1	-4.8 V	0 V
2	-5.2 V	-5.1 V
3	-2.1 V	-6.1 V
4	0 V	0 V
5	-4.8 V	-5.6 V
6	-6.1 V	-4.8 V
7	-4.8 V	0 V
8	-1.1 V	-5.6 V

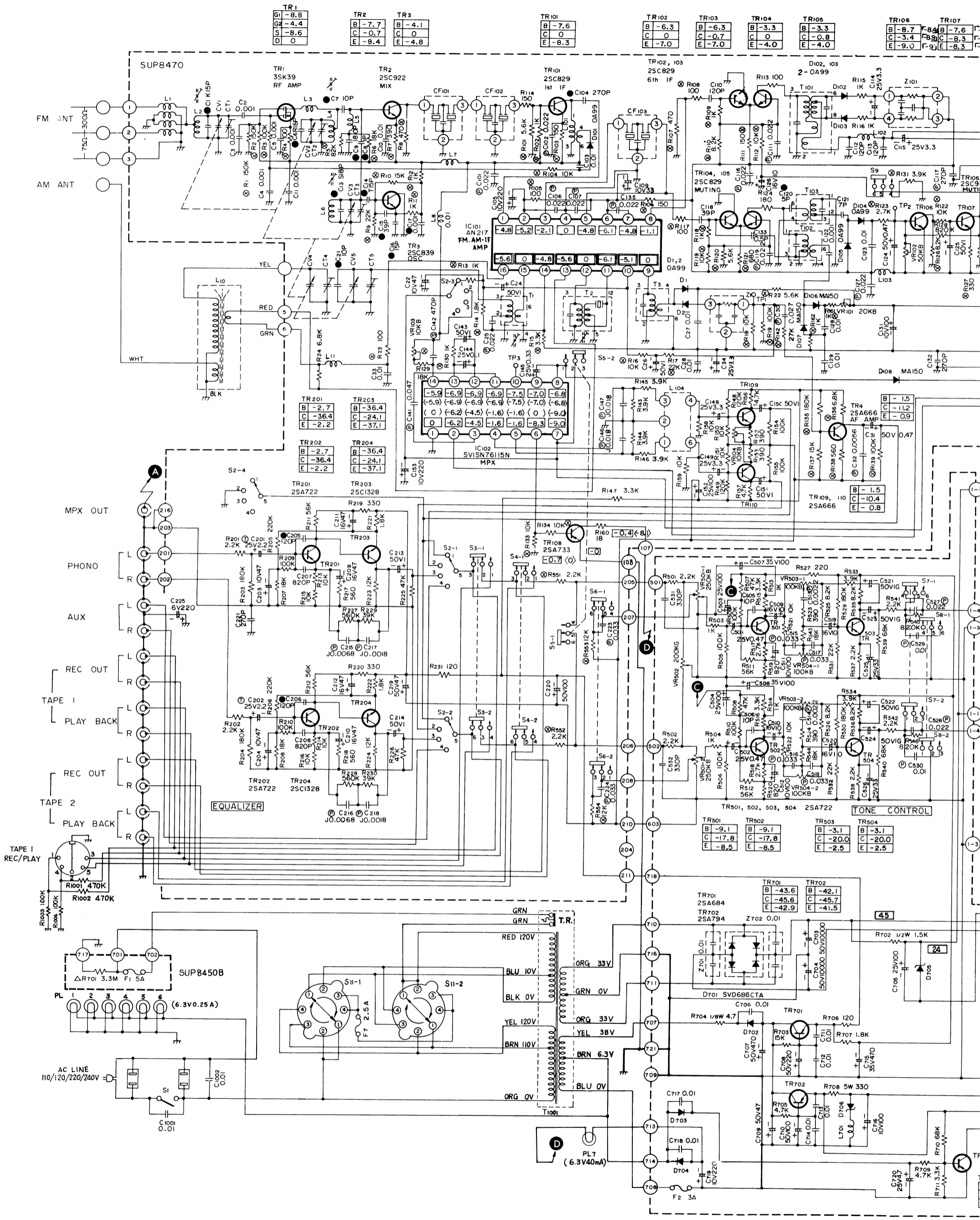
SA-5550 AC FUSE CIRCUIT BOARD



Schematic Diagram

Model SA-5550

(This schematic diagram may be modified at any time with the developer)



TR1	G1 -8.8
	G2 -4.4
	S -8.6
	D -0

TR2	B -7.7
	C -0.7
	E -8.4

TR3	B -4.1
	C -0
	E -4.8

TR101	B -7.6
	C -0
	E -8.3

TR102	B -6.3
	C -0
	E -7.0

TR103	B -6.3
	C -0.7
	E -7.0

TR104	B -3.3
	C -0
	E -4.0

TR105	B -3.3
	C -0.8
	E -4.0

TR106	B -8.7
	C -3.4
	E -9.0

TR107	B -7.6
	C -8.9
	E -8.3

TR201	B -2.7
	C -36.4
	E -2.2

TR202	B -2.7
	C -36.4
	E -2.2

TR203	B -36.4
	C -24.1
	E -37.1

TR204	B -36.4
	C -24.1
	E -37.1

TR501	B -9.1
	C -17.8
	E -8.5

TR502	B -9.1
	C -17.8
	E -8.5

TR503	B -3.0
	C -20.0
	E -2.5

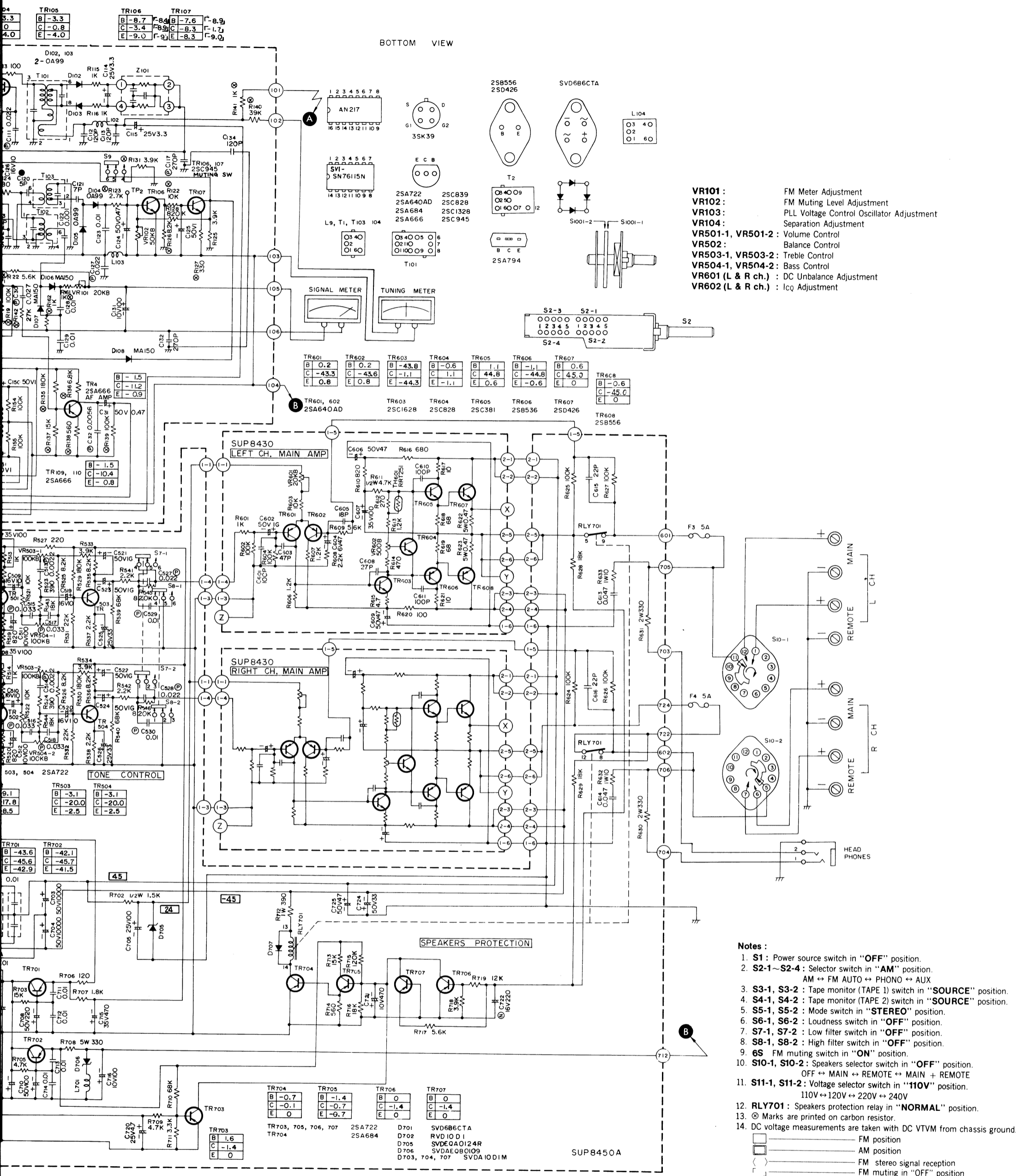
TR504	B -3.1
	C -20.0
	E -2.5

TR701	B -43.6
	C -45.6
	E -42.9

TR702	B -42.1
	C -45.7
	E -41.5

45	
----	--

ified at any time with the development of new technology)



Schematic Diagram

Model SA-5250

(This schematic diagram may be modified at any time with the develop

TR1	D 0
	G1 - 8.58
	G2 - 4.29
	S - 8.22

TR2	C - 0.54
	B - 7.32
	E - 8.04

TR3	C 0
	B - 3.87
	E - 4.58

TR101	C 0
	B - 7.27
	E - 7.98

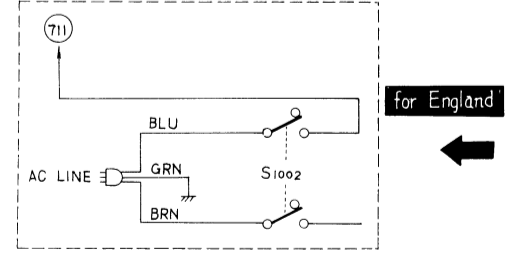
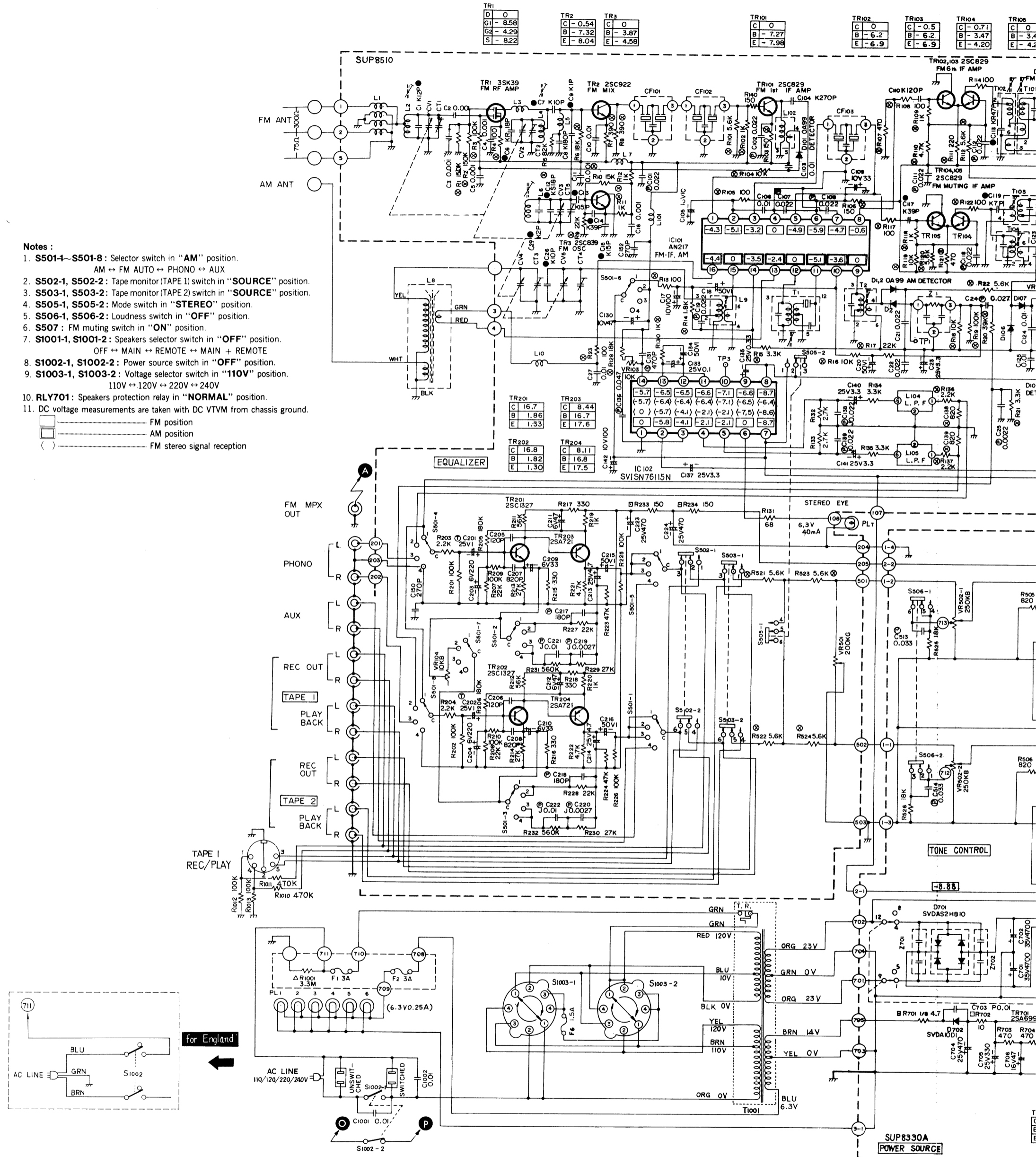
TR102	C 0
	B - 6.2
	E - 6.9

TR103	C - 0.5
	B - 3.47
	E - 6.9

TR104	C - 0.71
	B - 3.47
	E - 4.20

TR105	C 0
	B - 3.4
	E - 4.2

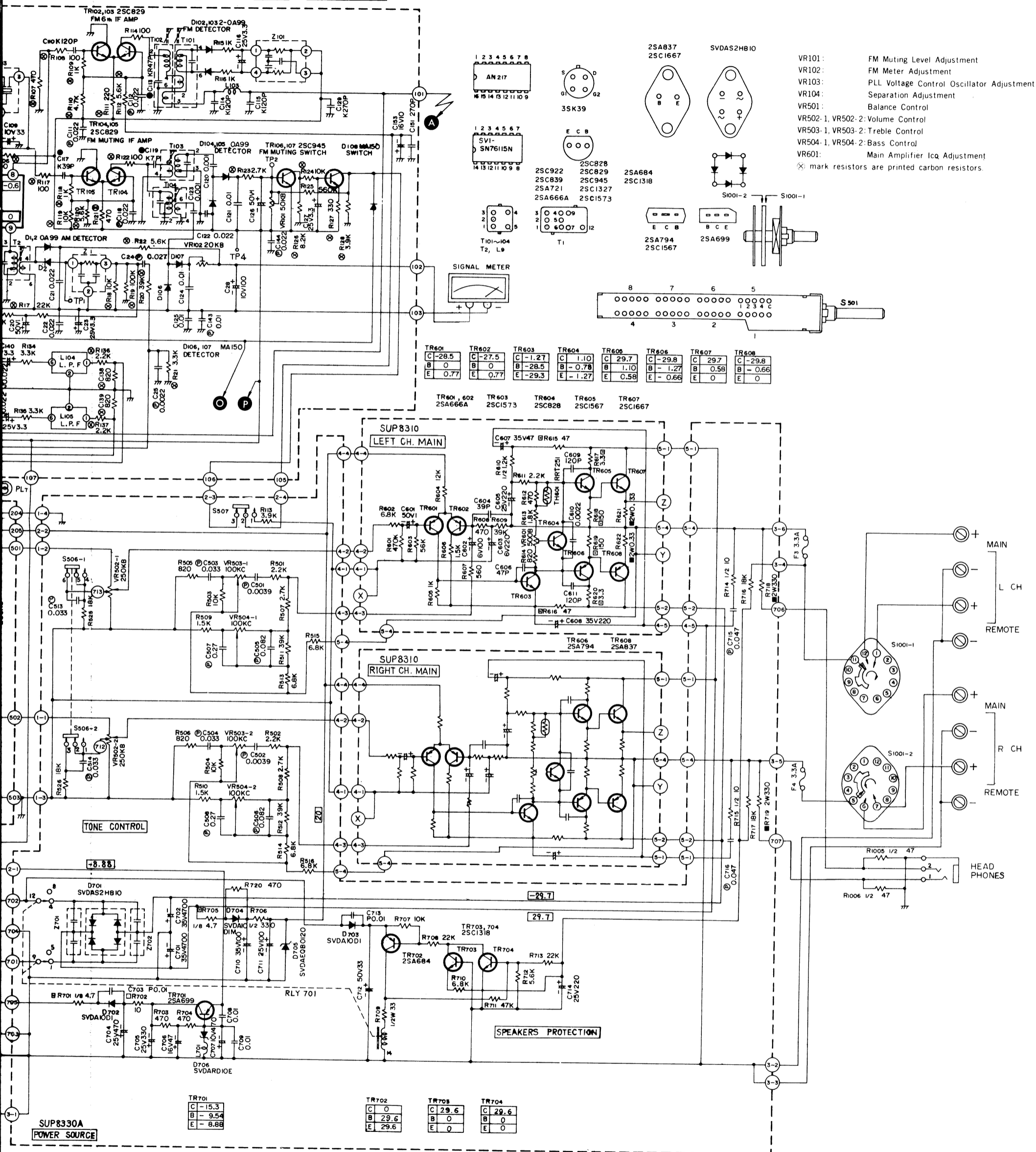
- Notes :**
- S501-1~S501-8: Selector switch in "AM" position.
AM ↔ FM AUTO ↔ PHONO ↔ AUX
 - S502-1, S502-2: Tape monitor (TAPE 1) switch in "SOURCE" position.
 - S503-1, S503-2: Tape monitor (TAPE 2) switch in "SOURCE" position.
 - S505-1, S505-2: Mode switch in "STEREO" position.
 - S506-1, S506-2: Loudness switch in "OFF" position.
 - S507: FM muting switch in "ON" position.
 - S1001-1, S1001-2: Speakers selector switch in "OFF" position.
OFF ↔ MAIN ↔ REMOTE ↔ MAIN + REMOTE
 - S1002-1, S1002-2: Power source switch in "OFF" position.
 - S1003-1, S1003-2: Voltage selector switch in "110V" position.
110V ↔ 120V ↔ 220V ↔ 240V
 - RLY701: Speakers protection relay in "NORMAL" position.
- FM position
 AM position
 FM stereo signal reception



SUP8330A
POWER SOURCE

fied at any time with the development of new technology.)

TR102	TR103	TR104	TR105	TR106	TR107
C 0	C 0.5	C 0.71	C 0	C - 8.54	MUT ON MUT OFF
B - 6.2	B - 6.2	B - 3.47	B - 3.49	B - 7.94	C - 2.51 - 0.05
E - 6.9	E - 6.9	E - 4.20	E - 4.20	E - 8.58	B - 7.9 - 8.53
					E - 8.58 - 8.58



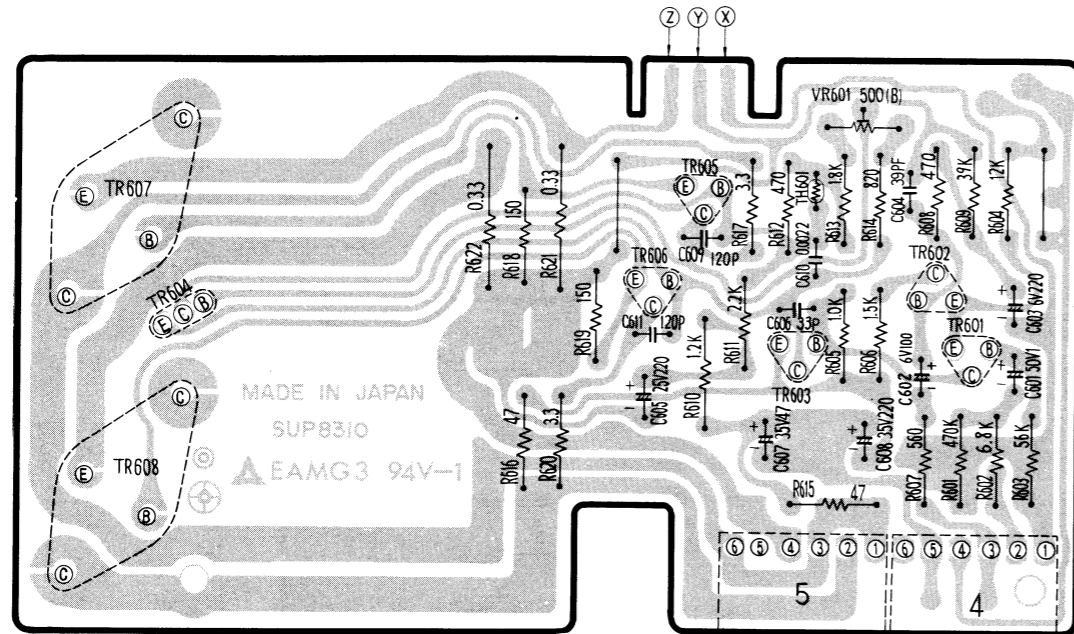
SA-5250

MAIN AMPLIFIER CIRCUIT BOARD L ch. or R ch.

TR607
Power
C 29.7V
B 0.58V
E 0V

TR604
Thermal Comp
C 1.1V
B -0.7V
E -1.27V

TR608
Power
C -29.8V
B -0.66V
E 0V



TR601
Differential
C -28.5V
B 0V
E 0.77V

TR602
Differential
C -27.5V
B 0V
E 0.77V

TR603
Pre Driver
C -1.26V
B -28.5V
E -29.3V

TR605
Driver
C 29.7V
B 1.1V
E 0.58V

TR606
Driver
C -29.8V
B -1.27V
E -0.66V

SA-5250

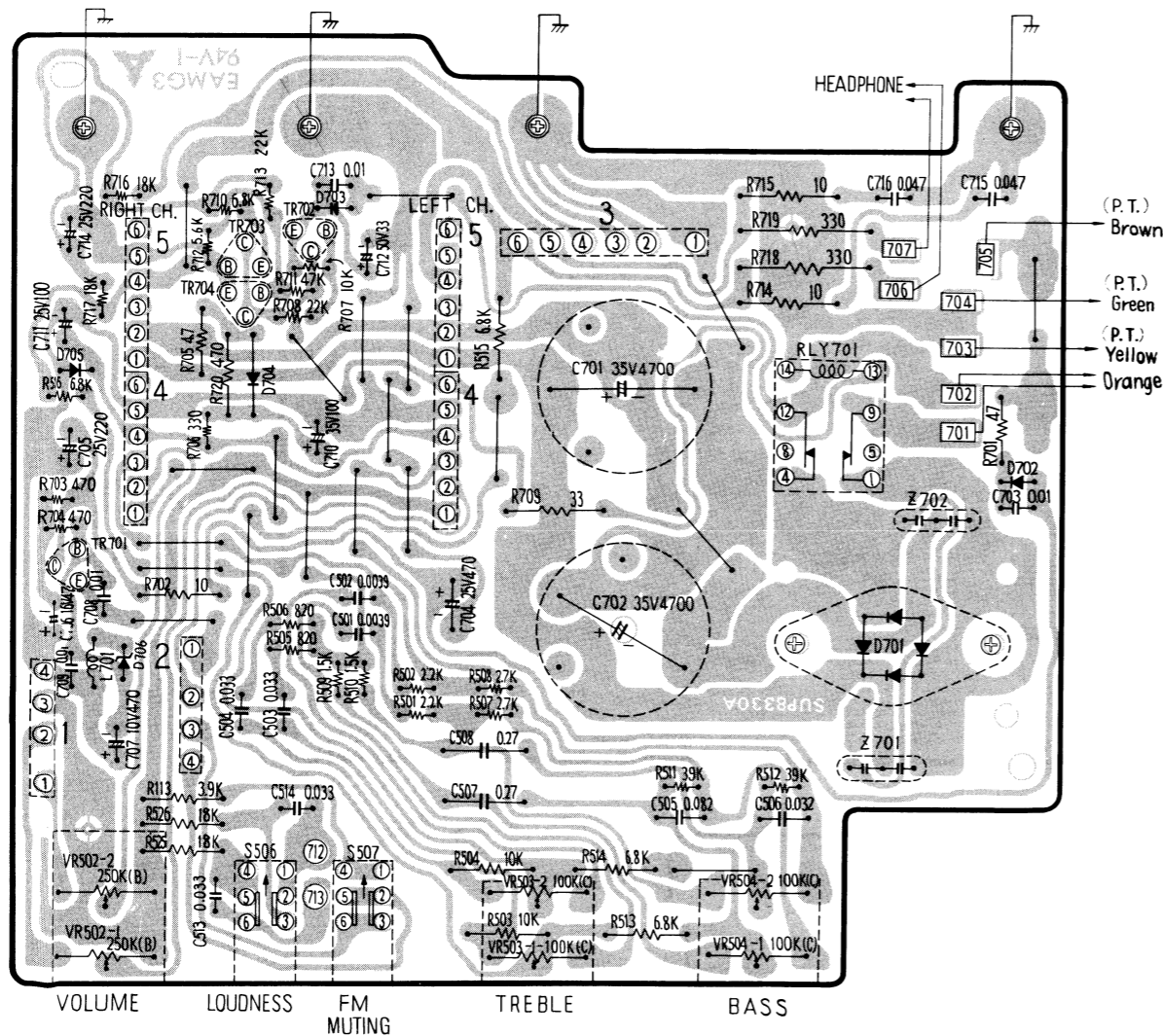
POWER SOURCE, SPEAKERS PROTECTION & TONE CONTROL CIRCUIT BOARD

TR704
Speaker Protection
C 29.6V
B 0V
E 0V

TR703
Speaker Protection
C 29.6V
B 0V
E 0V

TR702
Speaker Protection
C 0V
B 29.6V
E 29.6V

TR701
Ripple Filter
C -15.3V
B -9.54V
E -8.88V



- (P.T.) Brown
- (P.T.) Green
- (P.T.) Yellow
- Orange

SA-5550

REPLACEMENT PARTS LIST

NOTES: 1. Part numbers are indicated on most mechanical parts. Please use this part number for parts orders.
2. **SAFETY** Indicates that only parts specified by the manufacturer be used for replacement in critical circuits.

Ref. No.	Part No.	Description	Per Set Pcs.	Remarks	Ref. No.	Part No.	Description	Per Set Pcs.	Remarks
INTEGRATED CIRCUITS					CERAMIC FILTERS				
IC101	AN217BB	FM IF, AM RF & AM IF Amplifier	1		CF101, 102, 103	SVF107MA8A	FM IF Circuit, Red. 10.7MHz	each 3	
IC102	SVISN76115N	PLL Type FM MPX	1			SVF107MA8B	FM IF Circuit, Blue. 10.67MHz		
						SVF107MA8C	FM IF Circuit, Orange. 10.73MHz		
						SVF107MA8D	FM IF Circuit, Black. 10.64MHz		
					SVF107MA8E	FM IF Circuit, White. 10.76MHz			
TRANSISTORS					RESISTORS				
TR1	3SK39-Q	FM RF Amplifier	1		R(615) × 2	ERD14TJ4R7	4.7Ω, 1/4W, ±5%, Carbon	2	
TR2	2SC922-M	FM Mixer	1		R114	ERD14TJ151	150Ω, 1/4W, ±5%, Carbon	1	
TR3	2SC839-H	FM Oscillator	1		R124	ERD14TJ181	180Ω, 1/4W, ±5%, Carbon	1	
TR4, 109, 110	2SA666-Q	AM & FM AF Amplifier	3		R(612) × 2	ERD14TJ271	270Ω, 1/4W, ±5%, Carbon	2	
TR101 ~ 105	2SC829-C	FM-IF Amplifier	5		R219, 220	ERD14TJ331	330Ω, 1/4W, ±5%, Carbon	2	
TR106, 107	2SC945-P2	Muting Switching	2		R152, 153, 523, 524	ERD14TJ391	390Ω, 1/4W, ±5%, Carbon	4	
TR108	2SA733-MAP	Stereo Eye Switching	1		R(614) × 2	ERD14TJ471	470Ω, 1/4W, ±5%, Carbon	2	
TR203, 204	2SC1328-T	Equalizer Amplifier	2		R217, 218	ERD14TJ561	560Ω, 1/4W, ±5%, Carbon	2	
TR201, 202, 501, 502, 503, 504, 703, 705, 706, 707	2SA722-T	Equalizer, Tone Amplifier & Speaker Protection Switching	10		R(610) × 2	ERD14TJ821	820Ω, 1/4W, ±5%, Carbon	2	
TR(601,602) × 2	2SA640AD-R	Differential Amplifier	4		R115, 116, (601) × 2	ERD14TJ102	1kΩ, 1/4W, ±5%, Carbon	4	
TR(603) × 2	2SC1628-Y	Pre Driver Amplifier	2	○	R(614) × 2	ERD14TJ471	470Ω, 1/4W, ±5%, Carbon	2	
TR(604) × 2	2SC828-R	Thermo Compensation	2		R217, 218	ERD14TJ561	560Ω, 1/4W, ±5%, Carbon	2	
TR(605) × 2	2SD381-L9	Driver Amplifier (Use in Pairs)	2		R(610) × 2	ERD14TJ821	820Ω, 1/4W, ±5%, Carbon	2	
TR(606) × 2	2SB536-L9	Driver Amplifier (Use in Pairs)	2		R152, 153, 523, 524	ERD14TJ391	390Ω, 1/4W, ±5%, Carbon	4	
TR(607) × 2	2SD426-R	Power Amplifier (Use in Pairs)	2	○	R(614) × 2	ERD14TJ471	470Ω, 1/4W, ±5%, Carbon	2	
TR(608) × 2	2SB556-R	Power Amplifier (Use in Pairs)	2	○	R217, 218	ERD14TJ561	560Ω, 1/4W, ±5%, Carbon	2	
TR701, 704	2SA684-Q	Ripple Filter & Relay Driver	2		R(610) × 2	ERD14TJ821	820Ω, 1/4W, ±5%, Carbon	2	
TR702	2SA794-R	Ripple Filter	1		R115, 116, (601) × 2	ERD14TJ102	1kΩ, 1/4W, ±5%, Carbon	4	
					R(606,607,613) × 2	ERD14TJ122	1.2kΩ, 1/4W, ±5%, Carbon	6	
DIODES					THERMISTORS				
D1, 2, 101, 104, 105	OA99	AM/FM, AGC & Muting Detector	5		TH(601) × 2	RRT251	Driver Circuit	2	
D102, 103	2-OA99	FM Discriminator	1 Pair						
D106 ~ 108	MA150	Meter Detector	3						
D701	SVD6B6CTA	Rectifier	1	○					
D703, 704, 707	SVDA10D1M	Rectifier	3						
D705	SVDEQA0124R	24V Zener	1						
D706	SVDAE0B0109	9V Zener	1						
D702	RVD10D1	Rectifier	1						
COILS and TRANSFORMERS					SAFETY				
L1	SLAA4W1-3	FM Balun Coil	1						
L2	SLAA4N9	FM Antenna Coil	1						
L3	RLQY25S5	Choke Coil	1						
L4	SLDA4N18	FM DET Coil	1						
L5, 11	RLQY15G5	Choke Coil	2						
L6	SLOA4N9	FM Oscillator Coil	1						
L7, 8, 102, 103, 701	SLQX101-2D	Choke Coil	5						
L10	SLFA2E22	AM Antenna Coil	1						
L101	SLIA4B1	FM AGC Coil	1						
T1	SLOA2C6	AM Oscillator Coil	1						
T2	RL17W105S-T	AM 1st IF Transformer	1						
T3	RL12C450P-T	AM 2nd IF Transformer	1						
T101	SLIA4D51-T	FM Discriminator	1						
T102, 103	SLIA4C241-T	Muting & Meter IF Transformer	2						
L104	SLMA1Z3-K	Low Pass Filter	1						
T1001	SLT5S3	Power-Transformer	1	○ SAFETY					
					R223, 224	ERD14TJ123	12kΩ, 1/4W, ±5%, Carbon	2	
					R703, 713	ERD14TJ153	15kΩ, 1/4W, ±5%, Carbon	2	
					R207, 208, 543, 544	ERD14TJ183	18kΩ, 1/4W, ±5%, Carbon	4	
					R230	ERD14TJ393	39kΩ, 1/4W, ±5%, Carbon	1	
					R(609) × 2, 211, 212	ERD14TJ563	56kΩ, 1/4W, ±5%, Carbon	4	
					R710, 539, 540	ERD14TJ683	68kΩ, 1/4W, ±5%, Carbon	3	
					R154, 155, 209, 210, (602) × 2, (604) × 2, 624, 625, 626, 627	ERD14TJ104	100kΩ, 1/4W, ±5%, Carbon	12	
					R148, 149, 715	ERD14TJ124	120kΩ, 1/4W, ±5%, Carbon	3	
					R203, 204	ERD14TJ184	180kΩ, 1/4W, ±5%, Carbon	2	
					R227	ERD14TJ564	560kΩ, 1/4W, ±5%, Carbon	1	
					R128	ERD14TJ824	820kΩ, 1/4W, ±5%, Carbon	1	
					R225, 226	ERD14TJ473	47kΩ, 1/4W, ±5%, Carbon	2	
					R113	ERD14VJ101	100Ω, 1/4W, ±5%, Carbon	1	
					R231	ERD14VJ121	120Ω, 1/4W, ±5%, Carbon	1	
					R160	ERD14VJ180	18Ω, 1/4W, ±5%, Carbon	1	
					R714	ERD14VJ561	560Ω, 1/4W, ±5%, Carbon	1	
					R519, 520	ERD14VJ821	820Ω, 1/4W, ±5%, Carbon	2	
					R503, 504, 513, 514	ERD14VJ102	1kΩ, 1/4W, ±5%, Carbon	4	
					R501, 502, 537, 538	ERD14VJ222	2.2kΩ, 1/4W, ±5%, Carbon	4	
					R517, 518	ERD14VJ272	2.7kΩ, 1/4W, ±5%, Carbon	2	
					R515, 516, 711	ERD14VJ332	3.3kΩ, 1/4W, ±5%, Carbon	3	
					R533, 534, 718	ERD14VJ392	3.9kΩ, 1/4W, ±5%, Carbon	3	
					R709	ERD14VJ472	4.7kΩ, 1/4W, ±5%, Carbon	1	
					R717	ERD14VJ562	5.6kΩ, 1/4W, ±5%, Carbon	1	
					R535, 536	ERD14VJ822	8.2kΩ, 1/4W, ±5%, Carbon	2	
					R719	ERD14VJ123	12kΩ, 1/4W, ±5%, Carbon	1	
					R628, 629, 716	ERD14VJ183	18kΩ, 1/4W, ±5%, Carbon	3	
					R531, 532	ERD14VJ223	22kΩ, 1/4W, ±5%, Carbon	2	
					R229	ERD14VJ393	39kΩ, 1/4W, ±5%, Carbon	1	
					R507, 508	ERD14VJ473	47kΩ, 1/4W, ±5%, Carbon	2	
					R511, 512	ERD14VJ563	56kΩ, 1/4W, ±5%, Carbon	2	

Ref. No.	Part No.	Description	Per Set (Pcs.)	Remarks	Ref. No.	Part No.	Description	Per Set (Pcs.)	Remarks
R505, 506, 509, 510	ERD14VJ104	100kΩ, 1/4W, ±5%, Carbon	4		C(604) × 2	ECEA6V47L	47μF, 6.3WV, Electrolytic	2	
R529, 530	ERD14VJ184	180kΩ, 1/4W, ±5%, Carbon	2		C225	ECEA6V220L	220μF, 6.3WV, Electrolytic	1	
R205, 206	ERD14VJ224	220kΩ, 1/4W, ±5%, Carbon	2		C109, 720	ECEA10V33L	33μF, 10WV, Electrolytic	2	
R545, 546	ERD14VJ824	820kΩ, 1/4W, ±5%, Carbon	2		C22, 203, 204	ECEA10V47L	47μF, 10WV, Electrolytic	3	
R228	ERD14VJ564	560kΩ, 1/4W, ±5%, Carbon	1		C131, 511, 512, 716	ECEA10V100L	100μF, 10WV, Electrolytic	4	
R(617, 621) × 2	ERD14FJ100	10Ω, 1/4W, ±5%, Carbon	4	EXPLO	C105, 153, 719	ECEA10V220L	220μF, 10WV, Electrolytic	3	
R(618, 619) × 2	ERD14FJ680	68Ω, 1/4W, ±5%, Carbon	4	EXPLO	C721	ECEA10V470L	470μF, 10WV, Electrolytic	1	
R(620) × 2	ERD14FJ101	100Ω, 1/4W, ±5%, Carbon	2	EXPLO	C 126, 509,	ECEA16V10L	10μF, 16WV, Electrolytic	5	
R706	ERD14FJ121	120Ω, 1/4W, ±5%, Carbon	1	EXPLO	510, 519, 520	ECEA16V47L	47μF, 16WV, Electrolytic	4	
R527	ERD14FJ221	220Ω, 1/4W, ±5%, Carbon	1	EXPLO	C209-212	ECEA16N220	220μF, 16WV, Non-Polar	1	
R(616) × 2	ERD14FJ681	680Ω, 1/4W, ±5%, Carbon	2	EXPLO	C722	ECEA25V3R3L	3.3μF, 25WV, Electrolytic	5	
R702	ERD12TJ152	1.5kΩ, 1/2W, ±5%, Carbon	1		C114, 115, 148, 149, 34	ECEA25V33L	33μF, 25WV, Electrolytic	2	
R(611) × 2	ERD12TJ472	4.7kΩ, 1/2W, ±5%, Carbon	2		C525, 526	ECEA25V4R7L	4.7μF, 25WV, Electrolytic	1	
R712	ERGIANJ391	390Ω, 1W, ±5%, Metallic	1		C720	ECEA25V100L	100μF, 25WV, Electrolytic	4	
R704	ERD18FJ4R7	4.7Ω, 1/8W, ±5%, Carbon	1	EXPLO	C152, 503, 504, 705	ECEA35V100L	100μF, 35WV, Electrolytic	4	
R701	ERCI2ZGK335	3.3MΩ, 1/2W, ±10%, Solid	1	EXPLO	C507, 508	ECEA35V470L	470μF, 35WV, Electrolytic	1	
R630, 631	ERGA2N331	330Ω, 2W, ±5%, Metallic	2		C715	ECEA50V1G	1μF, 50WV, Electrolytic	14	
R708	ERGSANJ331	330Ω, 5W, ±5%, Metallic	1		C24, 26, 125	ECEA50V33L	33μF, 50WV, Electrolytic	1	
R632, 633	ERX1ANJ100	10Ω, 1W, ±5%, Metallic	2		143, 150, 151, 213, 214, 521, 522, 523, 524, (602) × 2	ECEA50V47L	47μF, 50WV, Electrolytic	5	
R(622, 623) × 2,	ERFSAKR47	0.47Ω, 5W, ±10%, Non-Flammable Wire	4	EXPLO	709, 725	ECEA50V47V	47μF, 50WV, Electrolytic	2	
R24	ERD14TJ682	6.8kΩ, 1/4W, ±5%, Carbon	1		C(609) × 2	ECEA50V100L	100μF, 50WV, Electrolytic	2	
R1001, 1002	ERD14TJ474	470kΩ, 1/4W, ±5%, Carbon	2		C220, 710	ECEA50V220L	220μF, 50WV, Electrolytic	1	
R1003, 1004	ERD14TJ104	100kΩ, 1/4W, ±5%, Carbon	2		C708	ECEA50V470L	470μF, 50WV, Electrolytic	1	
VARIABLE RESISTORS									
VR101	EVLS3AA00B24	20kΩ (B), Meter Adjustment	1		C724	ECEA50V47L	47μF, 50WV, Electrolytic	1	
VR102	EVLS3AA00B54	50kΩ (B) Muting Level Adjustment	1		C219, (606) × 2	ECEA50V47V	47μF, 50WV, Electrolytic	2	
VR103, 104	EVLS3AA00B14	10kΩ (B), VCO & Separation Adjustment	2		C(609) × 2	ECEA50V100L	100μF, 50WV, Electrolytic	2	
VR501	EWFA9A037BF5	250kΩ (B), Volume Control	1		C708	ECEA50V220L	220μF, 50WV, Electrolytic	1	
VR502	EVE2DA088G25	200kΩ (G), Balance Control	1		C707	ECEA50V470L	470μF, 50WV, Electrolytic	1	
VR503, 504	EW2AF30B15	100kΩ (B), Bass & Treble Control	2		C144	ECAG25ER1X	0.1μF, 25WV, Electrolytic	1	
VR(601) × 2	EVLS0AA00B24	20kΩ (B), DC Unbalance Adjustment	2		C145	ECAG25ER33X	0.33μF, 25WV, Electrolytic	1	
VR(602) × 2	EVLS0AA00B52	500Ω (B), ICQ Adjustment	2		C501, 502	ECAG25ER47	0.47μF, 25WV, Electrolytic	2	
CAPACITORS									
C133	ECCD1H0R5CC	0.5pF, 50WV, ±0.25pF, Ceramic	1		C201, 202	ECSZ25EF2R2	2.2μF, 25WV, Electrolytic	2	
C8	ECCD1H010CC	1pF, 50WV, ±0.25pF, Ceramic	1		C703, 704	ECET50R103Y	10000μF, 50WV, Electrolytic	2	
C120	ECCD1H050CC	5pF, 50WV, ±0.25pF, Ceramic	1		C31, 124	ECEA50VR47L	0.47μF, 50WV, Electrolytic	2	
C121	ECCD1H070DC	7pF, 50WV, ±0.5pF, Ceramic	1		VARIABLE CAPACITORS				
C7, 21, 505, 506	ECCD1H100KC	10pF, 50WV, ±10%, Ceramic	4		CV1-5	ECV5MX25X20G	Tuning Gang, AM/FM (with Trimmer)	1	
C615, 616	ECCD1H220KC	22pF, 50WV, ±10%, Ceramic	2		(CT1-4)	ECV1ZW06P35	FM OSC Trimmer, 6pF	1	
C1, 16	ECCD1H150KC	15pF, 50WV, ±10%, Ceramic	2		COMPONENT COMBINATIONS				
C14	ECCD1H150KT	15pF, 50WV, ±10%, Ceramic	1		Z1	EXAF203Z471	AM Detector	1	
C(605) × 2	ECCD1H180KC	18pF, 50WV, ±10%, Ceramic	2		Z101	EXASDL04C	FM Detector	1	
C6	ECCD1H180KR	18pF, 50WV, ±10%, Ceramic	1		Z701, 702	RXAF103P22HD	Hum Cancel. 0.01μF(×2), Ceramic	2	EXPLO
C13	ECCD1H180KS	18pF, 50WV, ±10%, Ceramic	1		SWITCHES				
C15, 118	ECCD1H390KC	39pF, 50WV, ±10%, Ceramic	2		S1	ESB7036	Power Source Switch	1	EXPLO
C(603) × 2	ECCD1H470K	47pF, 50WV, ±10%, Ceramic	2		S2	SSR33	Selector Switch	1	○
C(601) × 2	ECCD1H101K	100pF, 50WV, ±10%, Ceramic	2		S3, 4, 5, 6, 9	SSHA60S	Mode, Tape Monitor, Muting & Loudness Push Switches	1	○
C110, 112, 113, 134, 205, 206	ECCD1H121K	120pF, 50WV, ±10%, Ceramic	6		S7, 8	SSHA56S	Low & High Filter Switch	1	○
C9	ECCD1H181K	180pF, 50WV, ±10%, Ceramic	1		S10	ESRC124F30CE	Speakers Switch	1	
C104, 117, 132, 221	ECCD1H271K	270pF, 50WV, ±10%, Ceramic	4		S11	SSRA7-1S	Voltage Selector Switch	1	EXPLO
C(608) × 2	ECCD2H270K	27pF, 500WV, ±10%, Ceramic	2		RELAY and METERS				
C(610, 611) × 2	ECCD2H101K	100pF, 500WV, ±10%, Ceramic	4		RLY701	SSYA1	Speakers Protection Relay	1	
C207, 208	ECKD1H821KB	820pF, 50WV, ±10%, Ceramic	2			SSMA25-2	Signal Meter	1	
C2, 3, 4, 5, 11, 17, 122, (612) × 2	ECKD1H102PF	0.001μF, 50WV, ±10%, Ceramic	9			SSMA26-2	FM Tuning Meter	1	
C531, 532	ECCD1H331K	330pF, 50WV, ±10%, Ceramic	2		FUSES and LIGHTS				
C10, 27, 28, 33, 103, 123, 128, 129, 711, 712, 713, 714, 717, 718	ECCD1H103PF	0.01μF, 50WV, ±10%, Ceramic	14		F1	XBA2K50NS5	5A Fuse, Power Source	1	EXPLO
C706	ECKD2H103PE	0.01μF, 500WV, ±100%, Ceramic	1		F2	XBAS1B3001	3A Fuse, Power Source	1	EXPLO
C217, 218	ECQM05182JZ	0.0018μF, 50WV, ±5%, Polyester	2		F3, 4	XBAS1A5001	5A Fuse, Circuit Protection	2	EXPLO
C513, 514	ECQM05222KZ	0.0022μF, 50WV, ±10%, Polyester	2		F7	XBA2K25NS5	2.5A Fuse, Power Source	1	EXPLO
C215, 216	ECQM05682JZ	0.0068μF, 50WV, ±5%, Polyester	2		PL1-6	XAM35K	Dial Lamp, 6.3V 0.25A	6	EXPLO
C32	ECQM05562KZ	0.0056μF, 50WV, ±10%, Polyester	1		PL7	XAMR38S150A	Stereo Eye, 6.3V 40mA	1	EXPLO
C529, 530	ECQM05103KZ	0.01μF, 50WV, ±10%, Polyester	2		CABINET PARTS				
C25, 101, 102, 106, 107, 108, 111, 116, 135, 119, 127, 527, 528	ECQM05223KZ	0.022μF, 50WV, ±10%, Polyester	13		CA1	XTS3+8BK	Black Screw, Panel M'tg.	2	
C146, 147	ECQM05183JZ	0.018μF, 50WV, ±5%, Polyester	2		CA2	SGW6310	Front Panel	1	○
C30	ECQM05273KZ	0.027μF, 50WV, ±10%, Polyester	1		CA3	SBNA116E	Knob, Speakers, Bass, Treble, Volume, Balance & Selector	6	○
C223, 224, 515, 516, 517, 518	ECQM05333KZ	0.033μF, 50WV, ±10%, Polyester	6		CA4	XTV3+8CK	Black Screw, Panel M'tg.	2	
C141, 613, 614	ECQM05473KZ	0.047μF, 50WV, ±10%, Polyester	3		CA5	SBCA56	Button, Push Switches	7	
C1001, 1002	ECQU2A103M	0.01μF, 250VAC, ±20%, Polyester	2		CA6	SBNA131E	Knob, Tuning Control	1	
C142	ECQS1471JZ-K	470pF, 125WV, ±5%, Styrol	1		CA7	SGU1	Glass Plate	1	○
					CA8 (BRN)	SKA7810	Cabinet(Brown Wood)	1	○

Ref. No.	Part No.	Description	Per Set (Pcs.)	Remarks	Ref. No.	Part No.	Description	Per Set (Pcs.)	Remarks
CA8 (BLK)	SKA7811	Cabinet (Black Wood)	1	○	CH19	SDTA10-2S	Tuning Shaft, with Flywheel	1	○
CA9 (BLK)	XSB4+16FZS	Screw, Black Cabinet M'tg.	4		CH20	SDDA471S	Drum, Tuning	1	
CA9 (BRN)	XSB4+16BVC	Screw, Brown Cabinet M'tg.	4		CH21	SDSA4121	Spring, Drum	1	
CA10	SGPA710-1A	Rear Panel	1	○	CH22	XXAR3H6S	Screw, Drum M'tg.	2	
CA11	SMA197	Mounting, AM Antenna Coil	1			SHRA919	Lock Pin, Dial Light Filter	3	
CA12	SMAA6-2	Band, AM Antenna Coil	1			SJSA65	Socket, Main Amp. p.c.b. Connector	4	
CA13	SJFA501	Terminal, Ext. Antenna	1	○	ACCESSORIES				
CA14	SJFA5201-1	Holder, Circuit Protection Fuse	1		A1	SSAA3	FM Antenna Cord	1	
CA15	SJSA66-1	Socket, AC Outlet	2	EXPLO	A2	XBAS1A5001	Circuit Protection Fuse, 5A	2	EXPLO
CA16	SJFA4803-1	Terminal, Speakers	1		A3	RJP5	Pin Plug	4	
CA17	XSN26+12	Screw, Fuse Cap M'tg.	1		A4	RJP16AS	AC Plug	1	
CA18	SJFA5202-1	Fuse Cap	1		A5	RJP17AS	AC Plug	1	
CA19	RHR106	Bushing, AM Antenna Lead Wire	1		PACKING PARTS				
CA20	SJFA3020 -1	Terminal, Input & Tape Monitor	1	○	P1	SPPA14	Soft Cover	1	
CA21	RHR111	Bushing, AC Cord	1		P2	SPS5	Pad, AM Bar Antenna	1	
CA22	SJAA3-1	AC Cord	1	EXPLO	P3	SPP465	Polyethylene Bag	1	
(Holland)	RJP3A	AC Plug (Only for Holland)	1	○	P4	SPS7	Pad, Left Side	1	○
CA23	SYU39	Bottom Board	1		P5	SPS9	Pad, Right Side	1	○
CA24	SKL145	Leg	4		P6	SPP5101	Pad, Bottom Side	1	○
CA25	XTV3+8CK	Red Screw, Bottom Board M'tg.	8		P7	SPN5089	Carton Box, Inner	1	○
CA26	XSN3+8RS	Red Screw, Bottom Board M'tg.	1		P8	SQF987	Printed Matter, Complete	1	○
	RJS31-1	DIN Socket, Tape Monitor	1		P9	SPG519	Carton Box, Outer	1	○
					P10	SPS103	Pad, Corner	4	○
CHASSIS PARTS									
CH1	SDH113-1	Mounting, Meter & Dial Scale	1	○	P11	SPS105	Pad, Upper	1	○
CH2	SHRA916-1	Lock Pin, Dial Scale	2		PACKING PARTS (for Germany & Holland)				
CH3	SKD2310	Dial Scale	1	○	P1	SPPA14	Soft Cover	1	
CH4	SMMA10-1	Mounting, Meter	1	○	P2	BPS5	Pad, AM Bar Antenna	1	
CH5	SUM1	Mounting, Dial Scale	1	○	P3	SPP465	Polyethylene Bag	1	
CH6	SJJA16	Jack, Headphones	1		P4	SPS7	Pad, Left Side	1	
CH7	RDY34	Shaft, Pulley	6		P5	SPS9	Pad, Right Side	1	
CH8	RDR20	Pulley, Dial Cord	5		P6	SPS51	Pad, Bottom Side	1	
CH9	RNW150-2	Lock Washer, Pulley	5		P7	SQG521	Carton Box	1	○
CH10	SDU1	Filter, Dial Light	1	○	P8(Germany)	SQF987	Printed Matter (only for Germany)	1	
CH11	XTV3+8CK	Black Screw, Lamp House M'tg.	4		P9	Deletion	
CH12	XNG3CS	Nut, Lamp Holder M'tg.	2		P10	Deletion	
CH13	SMP231	Lamp House	1	○	P11	Deletion	
CH14	SDPA8	Pointer, Dial	1						
CH15	SJSA206	Holder, Dial, Lamp	1						
CH16	SDZ051-1	Cord, Dial [230cm (90%)]	1 roll						
CH17	SGL51	Orange Filter, Stereo Indicator	1		</				

NOTES: 1. Part numbers are indicated on most mechanical parts. Please use this part number for parts orders.
 2. **SAFETY** Indicates that only parts specified by the manufacturer be used for replacement in critical circuits.

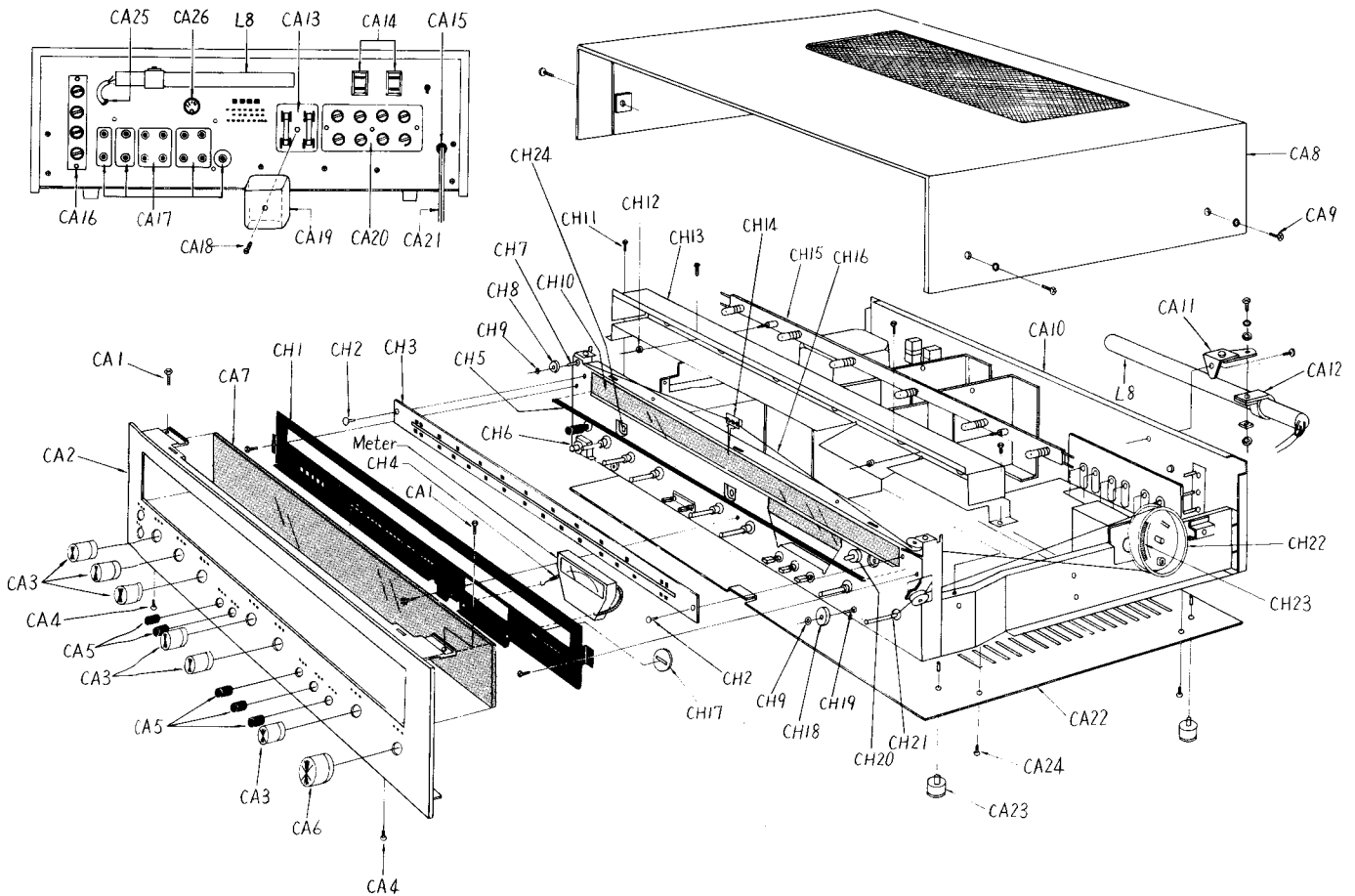
Ref. No.	Part No.	Description	Per Set (Pcs.)	Remarks	Ref. No.	Part No.	Description	Per Set (Pcs.)	Remarks
INTEGRATED CIRCUITS					RESISTORS				
IC101	AN217BB	FM IF, AM RF & AM IF Amplifier	1		R131	ERD14TJ681	68Ω, 1/4W, ±5%, Carbon	1	
IC102	SV1SN76115N	PLL Type FM MPX	1		R234	ERD14TJ151	150Ω, 1/4W, ±5%, Carbon	1	
TRANSISTORS					DIODES				
TR1	3SK39-Q	FM RF Amplifier	1		D1, 2, 101, 104, 105	OA99	AM & FM AGC Detector	5	
TR2	2SC922-M	FM Mixer	1		D102, 103	2-OA99	FM Discriminator	1 pair	
TR3	2SC839-H	FM Oscillator	1		D106, 107, 108	MA150	FM Muting & Meter Detector	3	
TR101, 102, 103, 104, 105	2SC829-C	FM IF Amplifier	5		D701	SVDAS2HB10	Rectifier	1	
TR106, 107	2SC945-P2	FM Muting Switching	2		D702, 703	RVD10D1	Rectifier	2	
TR201, 202	2SC1327-T	Equalizer Amplifier	2		D704	SVDA10D1M	Rectifier	1	
TR203, 204	2SA721-T	Equalizer Amplifier	2		D705	SVDAEQB0120	20V Zener	1	
TR(601, 602) × 2	2SA666A-AD3	Differential Amplifier	4		D706	SVDARD10E	10V Zener	1	
TR(603) × 2	2SC1573-Q	Pre Driver Amplifier	2		THERMISTORS				
TR(604) × 2	2SC828-R	Thermo Compensation	2		TH(601) × 2	RRT251	Driver Circuit	2	
TR(605) × 2	2SC1567-R	Driver Amplifier } Use in Pairs	2		COILS and TRANSFORMERS				
TR(606) × 2	2SA794-R	Driver Amplifier } Use in Pairs	2		L1	SLAA4W1-3	FM Balun Coil	1	
TR(607) × 2	2SC1667(S)-Q	Power Amplifier } Use in Pairs	2		L2	SLAA4N9	FM Antenna Coil	1	
TR(608) × 2	2SA837(S)-Q	Power Amplifier } Use in Pairs	2		L3	RLQY25S5	Choke Coil	1	
TR701	2SA699-R	Ripple Filter	1		L4	SLDA4N18	FM DET Coil	1	
TR702	2SA684-Q	Speaker Protection	1		L5, 10	RLQY15G5	Choke Coil	2	
TR703, 704	2SC1318-R	Speaker Protection	2		L6	SLOA4N9	FM Oscillator Coil	1	
DIODES					COILS and TRANSFORMERS				
D1, 2, 101, 104, 105	OA99	AM & FM AGC Detector	5		L7, 101, 103, 701	SLQX101-2D	Choke Coil	4	
D102, 103	2-OA99	FM Discriminator	1 pair		L8	SLEA2E22	AM Antenna Coil	1	
D106, 107, 108	MA150	FM Muting & Meter Detector	3		L9	SLOA2C6	AM Oscillator Coil	1	
D701	SVDAS2HB10	Rectifier	1		L102	SLIA4B1	FM AGC Coil	1	
D702, 703	RVD10D1	Rectifier	2		L104, 105	SLMI27-K	Low Pass Filter	2	
D704	SVDA10D1M	Rectifier	1		T1	RLI7W105S-T	AM 1st IF Transformer	1	
D705	SVDAEQB0120	20V Zener	1		T1 (England)	RLI7W108P-T	AM 1FT (for England)	1	
D706	SVDARD10E	10V Zener	1		T2	RLI2C450P-T	AM 2nd IF Transformer	1	
THERMISTORS					VARIABLE RESISTORS				
TH(601) × 2	RRT251	Driver Circuit	2		VR101	EVLS3AA00B54	50kΩ (B), Muting Level Adjustment	1	
COILS and TRANSFORMERS					VARIABLE RESISTORS				
L1	SLAA4W1-3	FM Balun Coil	1		VR102	EVLS3AA00B24	20kΩ (B), Signal Meter Adjustment	1	
L2	SLAA4N9	FM Antenna Coil	1		VR103, 104	EVLS3AA00B14	10kΩ (B), PLL VCO & Separation Adj.	2	
L3	RLQY25S5	Choke Coil	1		VR501	EVE2DA088G25	200kΩ (G), Balance Control	1	
L4	SLDA4N18	FM DET Coil	1		VR502	EWV49A037BF5	250kΩ (B), Volume Control	1	
L5, 10	RLQY15G5	Choke Coil	2		VR503, 504	EWV3NA037C15	100kΩ (C), Bass & Treble Control	2	
L6	SLOA4N9	FM Oscillator Coil	1		CAPACITORS				
L7, 101, 103, 701	SLQX101-2D	Choke Coil	4		C9	ECCD1H010CC	1pF, 50WV, ±0.25pF, Ceramic	1	
L8	SLEA2E22	AM Antenna Coil	1		C29	ECCD1H020CC	2pF, 50WV, ±0.25pF, Ceramic	1	
L9	SLOA2C6	AM Oscillator Coil	1		C119	ECCD1H070DC	7pF, 50WV, ±0.5pF, Ceramic	1	
L102	SLIA4B1	FM AGC Coil	1		C7, 26	ECCD1H100KC	10pF, 50WV, ±10%, Ceramic	2	
L104, 105	SLMI27-K	Low Pass Filter	2		C1	ECCD1H120KC	12pF, 50WV, ±10%, Ceramic	1	
T1	RLI7W105S-T	AM 1st IF Transformer	1		C13, 15	ECCD1H150KC	15pF, 50WV, ±10%, Ceramic	2	
T1 (England)	RLI7W108P-T	AM 1FT (for England)	1		C6	ECCD1H180KR	18pF, 50WV, ±10%, Ceramic	1	
T2	RLI2C450P-T	AM 2nd IF Transformer	1		C12	ECCD1H180KS	18pF, 50WV, ±10%, Ceramic	1	
T101	SLI4C55	FM Discriminator, Secondary	1		C14, 117	ECCD1H390KC	39pF, 50WV, ±10%, Ceramic	2	
T102	SLI4C541	FM Discriminator, Primary	1		C(604) × 2	ECCD1H390K	39pF, 50WV, ±10%, Ceramic	2	
T103, 104	SLI4C241-T	FM Muting & Meter IFT	2		C113	ECCD1H470KR	47pF, 50WV, ±10%, Ceramic	1	
T1001	SLT5P47	Power Transformer	1		C(606) × 2	ECCD1H330K	33pF, 50WV, ±10%, Ceramic	2	
CERAMIC FILTERS					VARIABLE RESISTORS				
CF101, 102, 103	S/F107MA8A	FM IF Circuit, Red, 10.7MHz	each		CV1~5	ECV5MX25X20G	Tuning Gang, AM/FM (with Trimmer)	1	
	S/F107MA8B	FM IF Circuit, Blue, 10.67MHz	3		(CT1~4)	ECV1Z0W6P35	FM OSC Trimmer, 6pF	1	
	S/F107MA8C	FM IF Circuit, Orange, 10.73MHz			COMPONENT COMBINATIONS				
	S/F107MA8D	FM IF Circuit, Black, 10.64MHz			VR(601) × 2	EVLS0AA00B52	500Ω (B), ICQ Adjustment	2	
	S/F107MA8E	FM IF Circuit, White, 10.76MHz			SWITCHES				

Ref. No.	Part No.	Description	Per Set (Pcs.)	Remarks	Ref. No.	Part No.	Description	Per Set (Pcs.)	Remarks
VR(601) × 2	EVLS0AA00B52	500Ω (B), ICQ Adjustment	2		Z1	EXAF203Z471	AM Detector	1	
CAPACITORS					Z101	EXA5DL04C	FM Detector	1	
C9	ECCD1H010CC	1pF, 50WV, ±0.25pF, Ceramic	1		Z701, 702	RXAF103P22HD	Hum Cancel, 0.01μF × 2, 500WV	2	
C29	ECCD1H020CC	2pF, 50WV, ±0.25pF, Ceramic	1		RELAY and METER				
C119	ECCD1H070DC	7pF, 50WV, ±0.5pF, Ceramic	1		RLY701	SSYA1	Speaker Protection Relay	1	
C7, 26	ECCD1H100KC	10pF, 50WV, ±10%, Ceramic	2			SSMA25-2	Signal Meter	1	
C1	ECCD1H120KC	12pF, 50WV, ±10%, Ceramic	1		FUSES and LIGHTS				
C13, 15	ECCD1H150KC	15pF, 50WV, ±10%, Ceramic	2		F1, 2	XBAS2B3002	3A Fuse, Power Source	2	
C6	ECCD1H180KR	18pF, 50WV, ±10%, Ceramic	1		F3, 4	XBAS1A3301	3.3A Fuse, Circuit Protection	2	
C12	ECCD1H180KS	18pF, 50WV, ±10%, Ceramic	1		F5 (England)	XBAS1B1002	1A Fuse (for England)	1	
C14, 117	ECCD1H390KC	39pF, 50WV, ±10%, Ceramic	2		F6	XBAS2B1501	1.5A Fuse, Power Source	1	
C(604) × 2	ECCD1H390K	39pF, 50WV, ±10%, Ceramic	2		PL1~6	XAM35K	Dial Lamp, 6.3V 0.25A	6	
C113	ECCD1H470KR	47pF, 50WV, ±10%, Ceramic	1		PL7	XAM38S150A	Stereo Eye, 6.3V 40mA	1	
C(606) × 2	ECCD1H330K	33pF, 50WV, ±10%, Ceramic	2		CABINET PARTS				
C110, 114, 115, 215, 206	ECCD1H121K	120pF, 50WV, ±10%, Ceramic	5		CA1	XTS3+8BK	Black Screw, Panel M'tg.	2	
C8, 217, 218	ECCD1H181K	180pF, 50WV, ±10%, Ceramic	3		CA2	SGW6350	Front Panel	1	
C104, 129, 130, 151, 152	ECCD1H271K	270pF, 50WV, ±10%, Ceramic	5		CA3	SBNA116E	Knob, Speakers, Selector Switch Bass	6	
C(609, 611) × 2	ECCD2H121K	120pF, 500WV, ±10%, Ceramic	4		CA4	XTV3+8CK	Black Screw, Panel M'tg.	2	
C207, 208	ECKD1H821KB	820pF, 50WV, ±10%, Ceramic	2		CA5	SBCA56	Button, Push Switches	5	
C2, 3, 4, 5, 11, 16, 120, 123	ECKD1H102PF	0.001μF, 50WV, ±10%, Ceramic	8		CA6	SBNA131E	Knob, Tuning	1	
C(610) × 2	ECKD1H222PF	0.0022μF, 50WV, ±10%, Ceramic	2		CA7	SGUA34	Glass Plate	1	
C10, 103, 106, 121, 124, 703, 708, 709, 713	ECKD1H103PF	0.01μF, 50WV, ±10%, Ceramic	9		CA8 (BRN)	SKAA830	Cabinet (Brown Wood)	1	
C21, 22, 122	ECKD1H223PF	0.022μF, 50WV, ±10%, Ceramic	3		CA8 (BLK)	SKAA830-1	Cabinet, (Black Wood)	1	
C27, 125	ECKD2H103PF	0.01μF, 500WV, ±10%, Ceramic	2		CA9 (BLK)	XSBA+16KS	Screw, Black Cabinet M'tg.	4	
C1001	ECQU2A103MD	0.01μF, 250VAC, ±20%, Polyester	1		CA9 (BRN)	XSBA+16BVC5	Screw, Brown Cabinet M'tg.	4	
C25	ECQM05222KZ	0.0022μF, 50WV, ±5%, Polyester	1		CA10	SGPA680-1B	Rear Panel	1	
C219, 220	ECQM05272JZ	0.0027μF, 50WV, ±5%, Polyester	2		CA10 (England)	SGPA680-2B	Rear Panel (for England)	1	
C501, 502, 511, 512	ECQM05392KZ	0.0039μF, 50WV, ±10%, Polyester	4		CA11	SMA197	Mounting, AM Antenna Coil	1	
C221, 222	ECQM05103JZ	0.01μF, 50WV, ±5%, Polyester	2		CA12	SMAA6-2	Band, AM Antenna Coil	1	
C143	ECQM05103KZ	0.01μF, 50WV, ±10%, Polyester	1		CA13	SJFA5201-1	Fuse Holder, Circuit Protection	1	
C19, 101, 102, 107, 108, 111, 112, 118, 144, 138, 139	ECQM05223KZ	0.022μF, 50WV, ±10%, Polyester	11		CA14	SJSA66-1	Socket, Circuit Protection	2	
C24	ECQM05273KZ	0.027μF, 50WV, ±10%, Polyester	1		CA15	RHR111	Bushing, AC Cord	1	
C503, 504, 513, 514	ECQM05333KZ	0.033μF, 50WV, ±10%, Polyester	4		CA15 (England)	RHR113	Bushing (for England), AC Cord	1	
C136, 715, 716	ECQM05473KZ	0.047μF, 50WV, ±10%, Polyester	3		CA16	SJFA4401-2	Terminal, Antenna	1	
C505, 506	ECQM05823KZ	0.082μF, 50WV, ±10%, Polyester	2		CA17	SJFA3020-1	Terminal, Antenna	1	
C507, 508	ECQM05274KZ	0.27μF, 50WV, ±10%, Polyester	2		CA18	XSN26+12	Screw, Fuse Cap M'tg.	1	
C1002	ECQU2A103MD	0.01μF, 250VAC, ±20%, Polyester	1		CA19	SJFA5202-1	Fuse Cap	1	
C131	ECQS1471JZ-K	470pF, 125WV, ±5%, Styrol	1		CA20	SJFA4803-1	Terminal, Speakers	1	
C209, 210	ECEA6V33L	33μF, 6.3WV, Electrolytic	2		CA21	SJAA3-1	AC Cord	1	
C211, 212	ECEA6V47L	47μF, 6.3WV, Electrolytic	2		CA21 (Holland)	RJP3A	AC Plug (Only for Holland)	1	
C(602) × 2	ECEA6V100L	100μF, 6.3WV, Electrolytic	2		CA21 (England)	SJA73	AC Cord (for England)	1	
C203, 204, (603) × 2	ECEA6V220L	220μF, 6.3WV, Electrolytic	4		CA22	SKUA440	Bottom Board	1	
C109	ECEA10V33L	33μF, 10WV, Electrolytic	1		CA23	SKL145	Leg	4	
C130	ECEA10V47L	47μF, 10WV, Electrolytic	1		CA24	XTV3+8CFYR	Red Screw, Bottom Board M'tg.	5	
C17, 28, 142	ECEA10V100L	100μF, 10WV, Electrolytic	3			XSN3+6FYRS	Red Screw, Bottom Board M'tg.	1	
C707	ECEA10V470L	470μF, 10WV, Electrolytic	1			RHR106	Bushing, AM Antenna Lead Wire	1	
C105, 153, 250	ECEA16V10L	10μF, 16WV, Electrolytic	3		CA25	RJS31-1	DIN Socket, Tape Monitor	1	
C706	ECEA16V47L	47μF, 16WV, Electrolytic	1		CHASSIS PARTS				
C23, 116, 127, 137, 140, 141	ECEA25V3R3L	3.3μF, 25WV, Electrolytic	6		CH1	SDHA60-1	Mounting, Meter & Dial Scale	1	
C213, 214	ECEA25V47L	4.7μF, 25WV, Electrolytic	2		CH2	SHRA916-1	Lock Pin, Dial Scale	2	
C711	ECEA25V100L	100μF, 25WV, Electrolytic	1		CH3	SKDA530	Dial Scale	1	
C705, 714, (605) × 2	ECEA25V220L	220μF, 25WV, Electrolytic	4		CH4	SUSA69	Spring, Meter	1	
C223, 224, 704	ECEA25V470L	470μF, 25WV, Electrolytic	3		CH5	SUMA8-1	Mounting, Dial Scale	1	
C(607) × 2	ECEA35V47L	47μF, 35WV, Electrolytic	2		CH6	SJJA16	Headphones Jack	1	
C710	ECEA35V100L	100μF, 35WV, Electrolytic	1		CH7	RDY34	Shaft, Pulley (RDR20)	4	

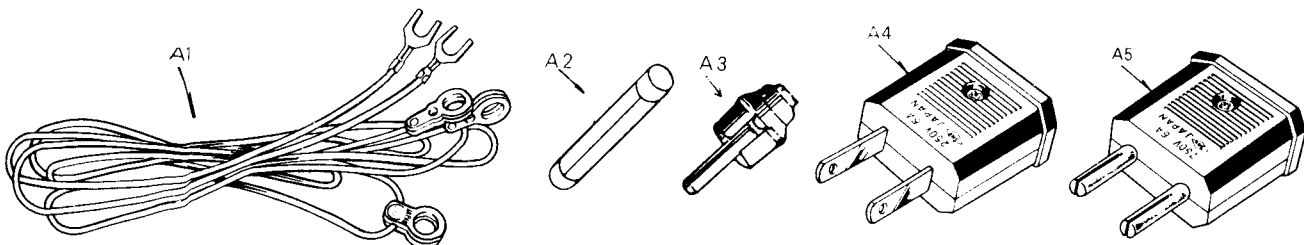
Ref. No.	Part No.	Description	Per Set (Pcs.)	Remarks	Ref. No.	Part No.	Description	Per Set (Pcs.)	Remarks
CH20	SHGA204	Rubber Cushion, Stereo Eye	1		P5	SPS3	Pad, Right Side	1	
CH21	SDTA10-2S	Tuning Shaft, with Flywheel	1		P6	SPS13	Pad, Bottom Board	1	
CH22	SDDA471S	Drum, Tuning	1		P7	SPN5085	Carton Box, Inner	1	○
CH23	SDSA4121	Spring, Drum	1		P8	SQF979	Printed Matter, Complete	1	○
	XXAR3H6S	Screw, Drum M'tg.	2		P9	SPG511	Carton Box, Outer	1	○
	SJS5405	4pin Socket, Lead Connector	2		P11	SPNA187	Pad, Upper Carton	1	
	SJS5603	6pin Socket, Lead Connector	2						
	SJS41	Pin Clamp(SJS5405, SJS5603)	14						
CH24	SHRA919	Lock Pin, Dial Light Filter	3						
ACCESSORIES									
A1	SSAA3	FM Antenna Cord	1						
A2	XBAS1A3301	Circuit Protection Fuse(3.3A)	2	XXXX					
A3	RJP5	Pin Plug	4						
A4	RJP16AS	AC Plug (Not Belong	1						
A5	RJP17AS	AC Plug for England	1						
PACKING PARTS									
P1	SPPA16-1	Soft Cover	1		P1	SPPA16-1	Soft Cover	1	
P2	SPS5	Pad, AM Bar Antenna	1		P2	SPS5	Pad, AM Bar Antenna	1	
P3	SPP163	Polyethylene Bag	1		P3	SPP163	Polyethylene Bag	1	
P4	SPS1	Pad, Left Side	1		P4	SPS1	Pad, Left Side	1	
					P5	SPS3	Pad, Right Side	1	
					P6	SPS13	Pad, Bottom Board	1	
					P7	SPG513	Carton Box	1	
					P8(Germany)	SQF979	Printed Matter (only for Germany)	1	○
					P8(England)	SQF983	Printed Matter (only for England)	1	○
					P9	Deletion
					P11	Deletion

SA-5250

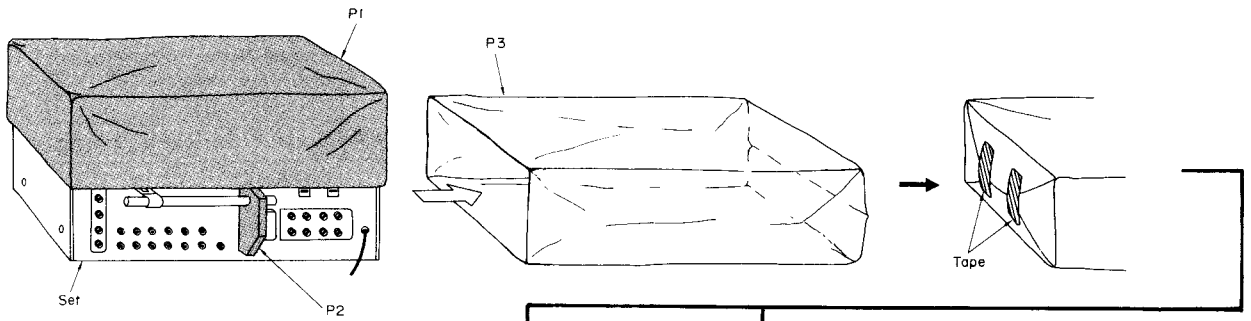
CABINET & CHASSIS PARTS LOCATION



ACCESSORIES



PACKING PARTS



SA-5250

SA-5550

