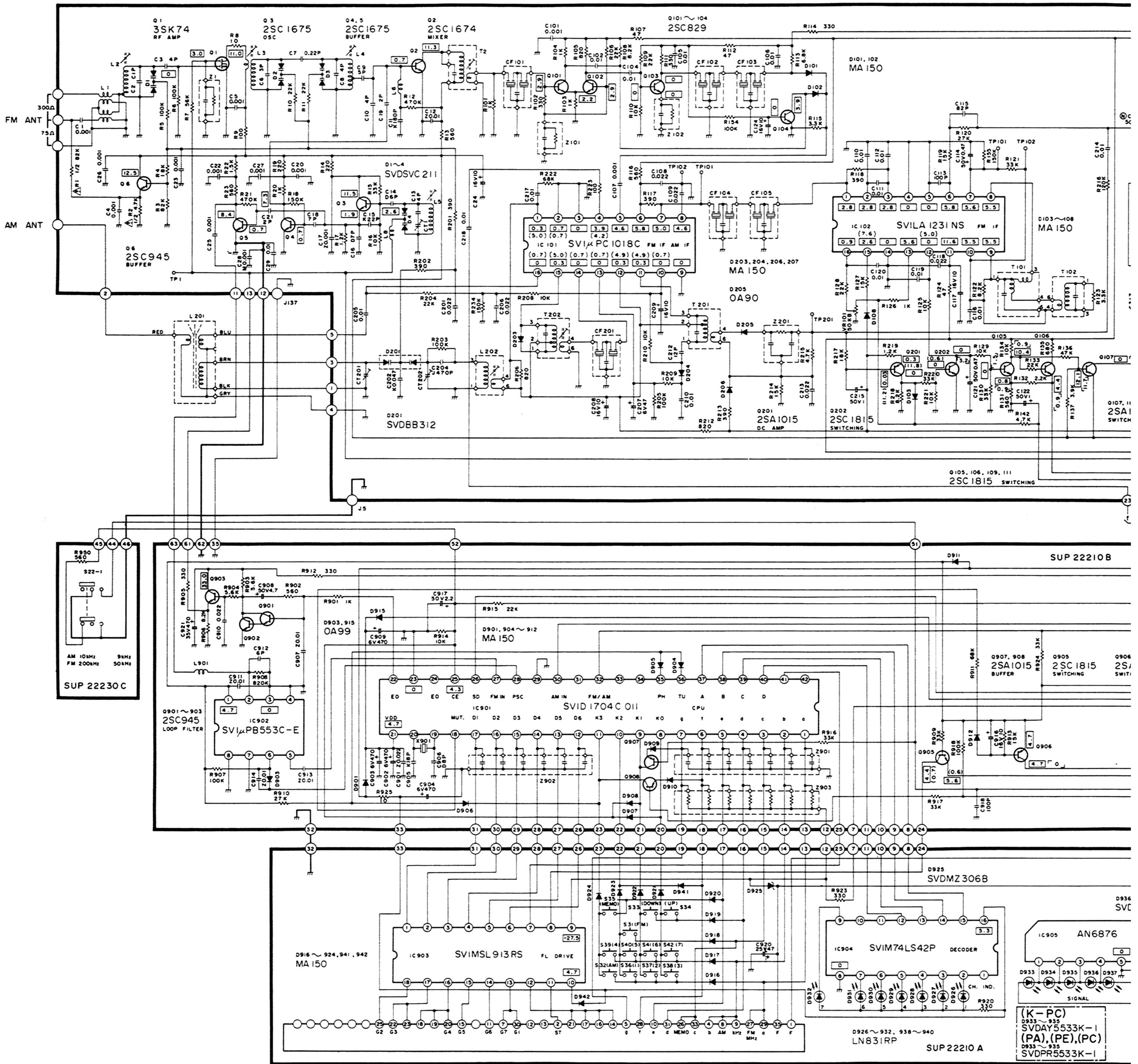
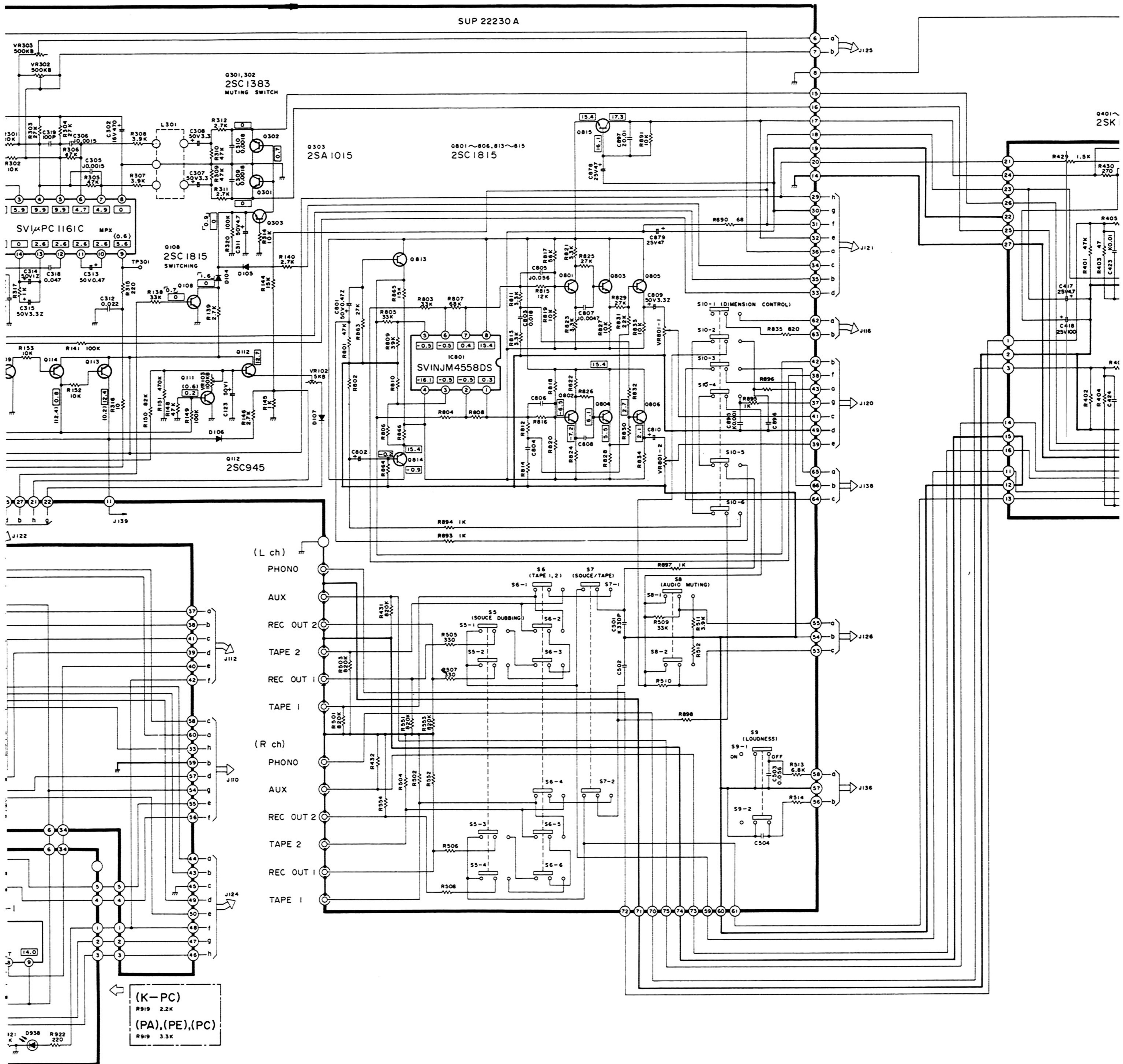
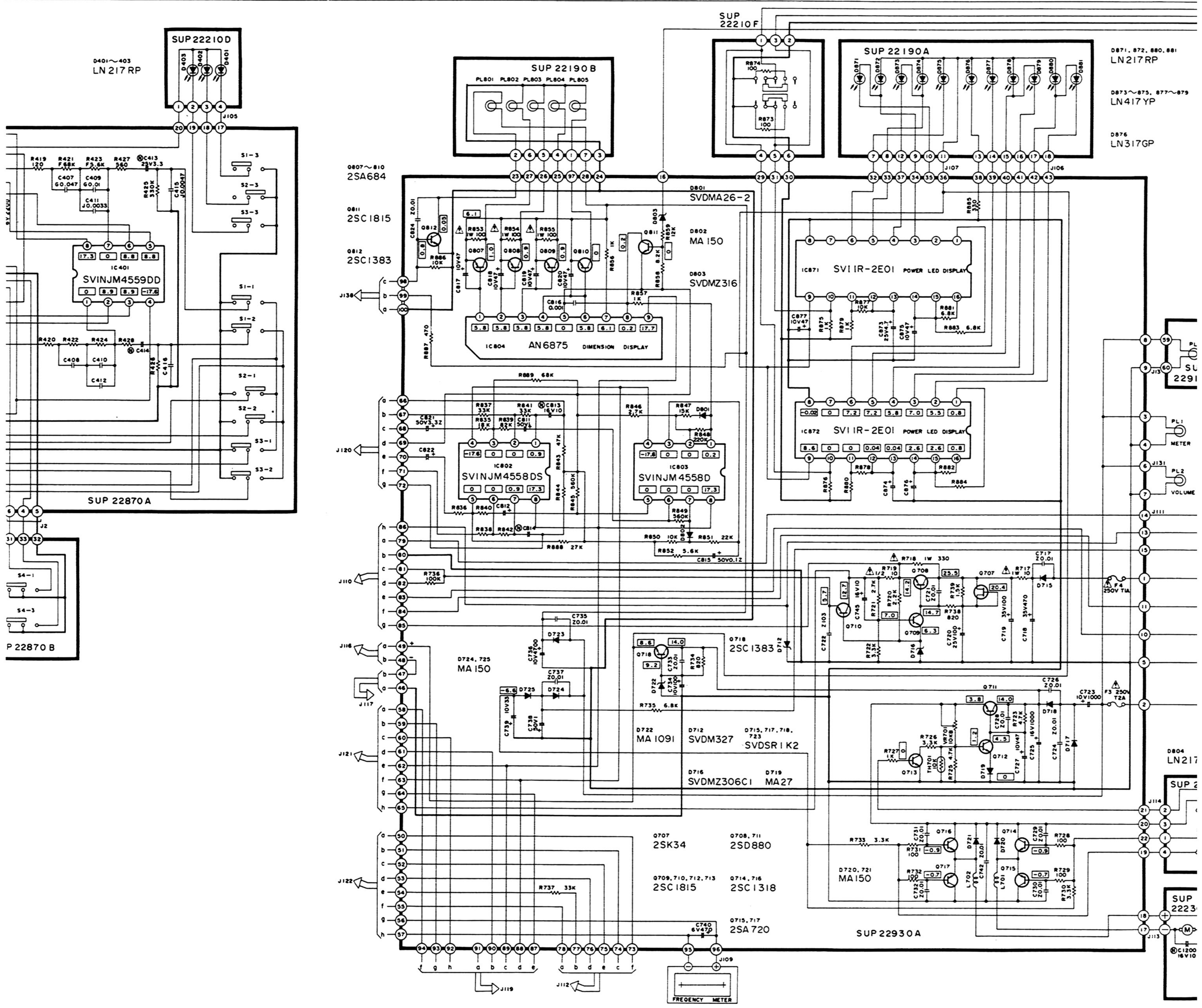


Schematic Diagram... Model SA-828/SA-828K



schematic diagram may be modified at any time with the development of new technology).





D871, 872, 880, 881
LN217RP

D873~875, 877~879
LN417YP

D876
LN317GP

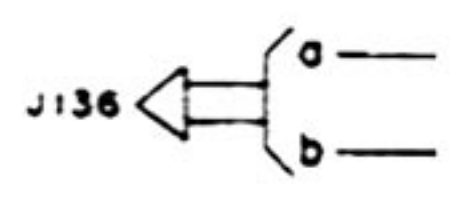
PL1
METER

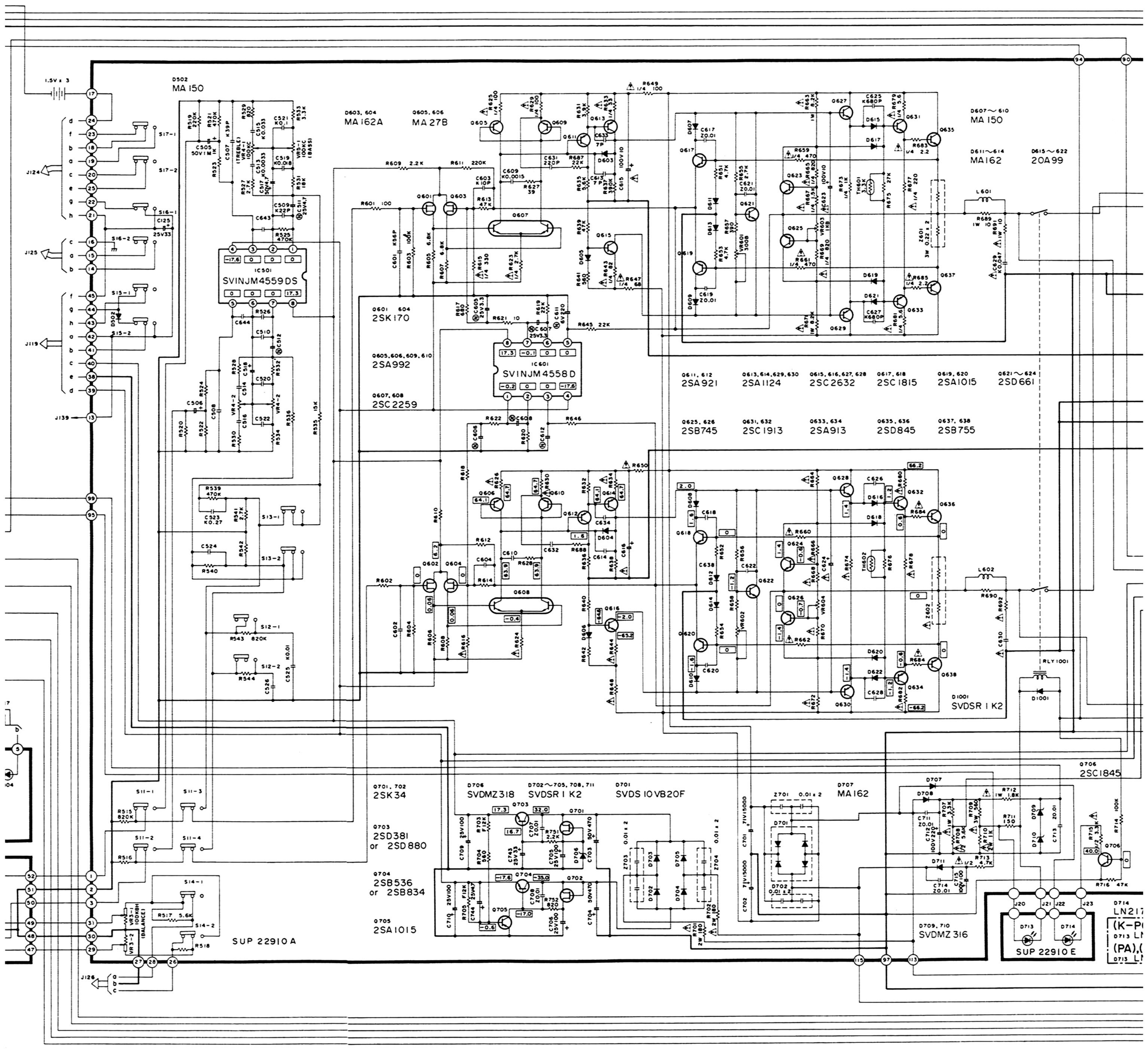
PL2
VOLUME

D804
LN217

SUP 2223

C1200
16V10





D502
MA 150

D603, 604
MA 162A

D605, 606
MA 27B

D607 ~ 610
MA 150

D611 ~ 614
MA 162

D615 ~ 622
20A99

SVINJM4559DS

SVINJM4558D

D601, 604
2SK170

D605, 606, 609, 610
2SA992

D607, 608
2SC2259

D611, 612
2SA921

D613, 614, 629, 630
2SA1124

D615, 616, 627, 628
2SC2632

D617, 618
2SC1815

D619, 620
2SA1015

D621 ~ 624
2SD661

D625, 626
2SB745

D631, 632
2SC1913

D633, 634
2SA913

D635, 636
2SD845

D637, 638
2SB755

D1001
SVDSR I K2

D701, 702
2SK34

D703
2SD381
or 2SD880

D704
2SB536
or 2SB834

D705
2SA1015

D706
SVDMZ318

D707 ~ 705, 708, 711
SVDSR I K2

D701
SVDS 10VB20F

D707
MA 162

D709, 710
SVDMZ 316

D706
2SC1845

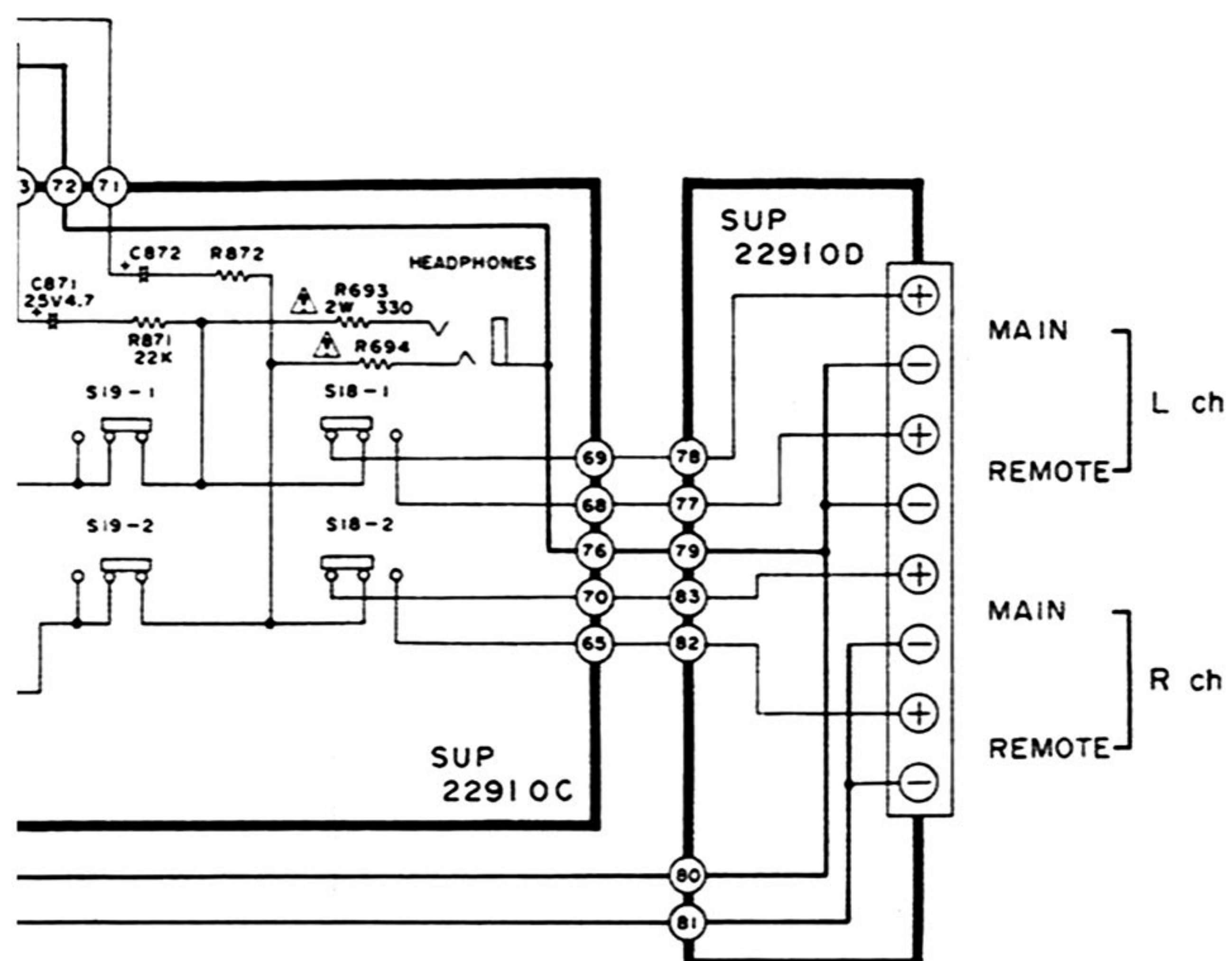
D714
LN217

D713 L1

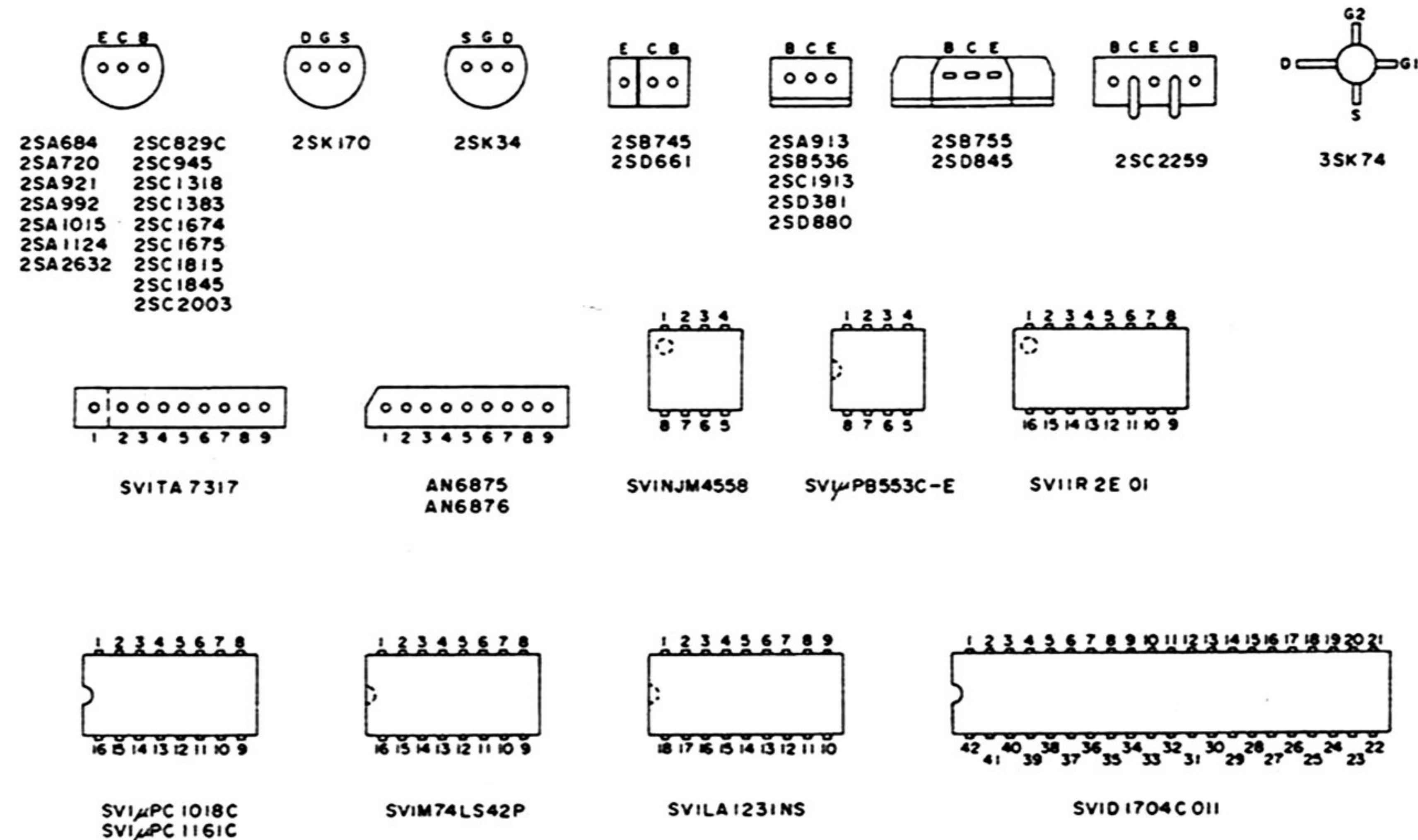
(PA),
D713 L1

SUP 22910 A

SUP 22910 E



TERMINAL GUIDE (BOTTOM VIEW)



NOTES

1. S1 Phono input switch "off" position
2. S2 Tuner input switch "on" position
3. S3 Aux input switch "off" position.
4. S4 Phono selector switch in "MM" position
MM — MC
5. S5 Rec mode switch in "source" position
source — dubbing
6. S6 Tape selector switch in "tape 1/2▶1" position
tape 1/2▶1 — tape 2/1▶2
7. S7 Tape monitor switch in "source" position
source — tape
8. S8 Audio muting switch in "0 dB" position
0 dB — -20 dB
9. S9 Loudness switch in "off" position
10. S10 Dimension control switch in "off" position
11. S11 Operation switch in "straight DC" position
straight DC — via tone
12. S12 High filter switch in "off" position
13. S13 Subsonic filter switch in "off" position
14. S14 AF mode switch in "stereo" position
stereo — mono
15. S15 FM muting/mode switch in "on/FM auto" position
on/FM auto — off/FM mono
16. S16 FM band switch in "normal" position
normal — narrow
17. S17 Auto scan switch in "auto" position
auto — manual
18. S18 Speaker selector switch in "main" position main — remote
19. S19 Speaker switch in "on" position
20. S20 Power switch in "on" position
21. S21 Power display switch in "x1" position
off — x1 — x0.01
22. S22 FM/AM allocation selector switch in "FM 0.2MHz/
AM 10kHz" step position
FM 0.2MHz/AM 10kHz — FM 0.05MHz/AM 9kHz
23. S23 Voltage selector switch in "240V" position
120V — 110V — 220V — 240V

