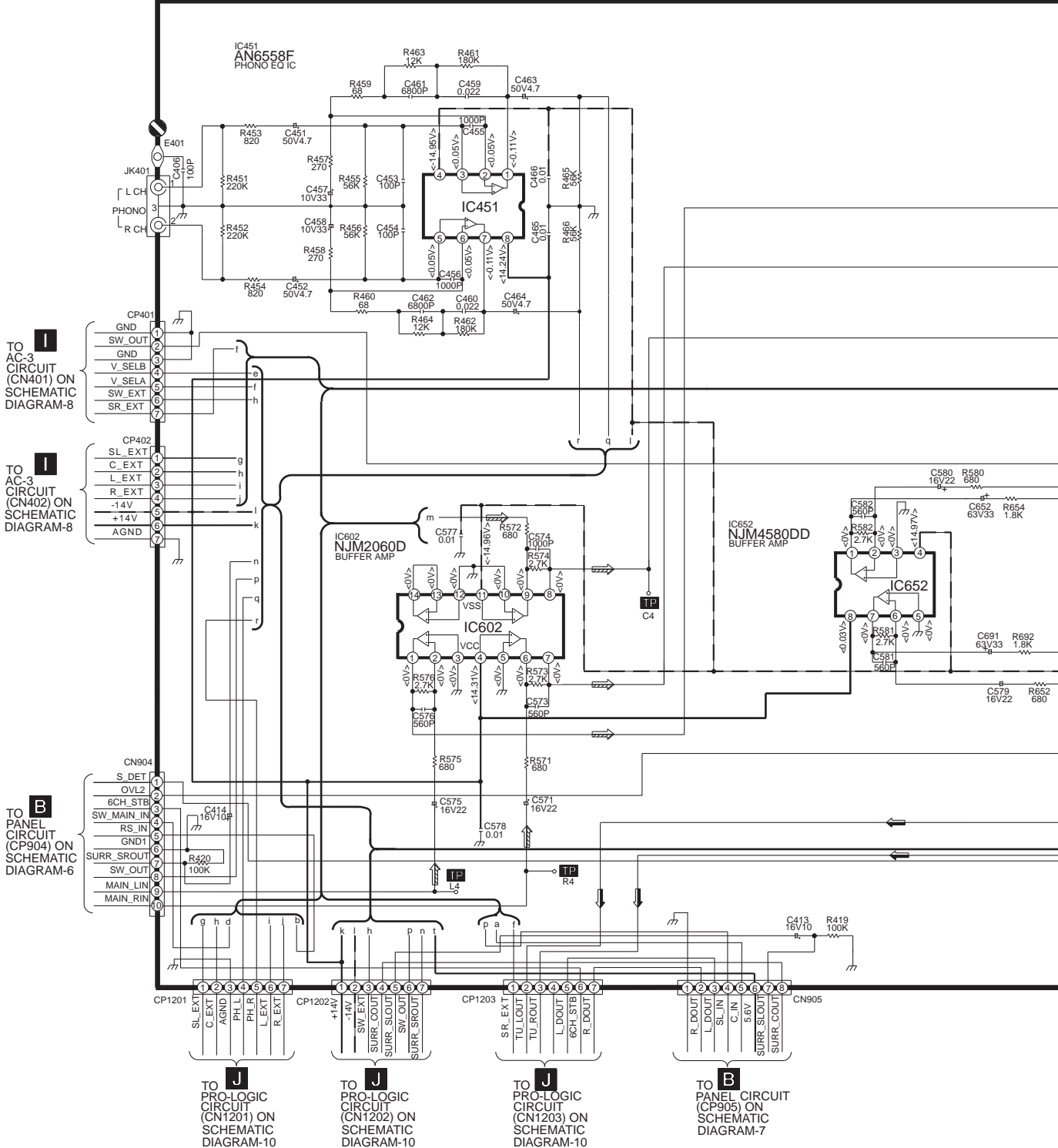


SCHEMATIC DIAGRAM-1

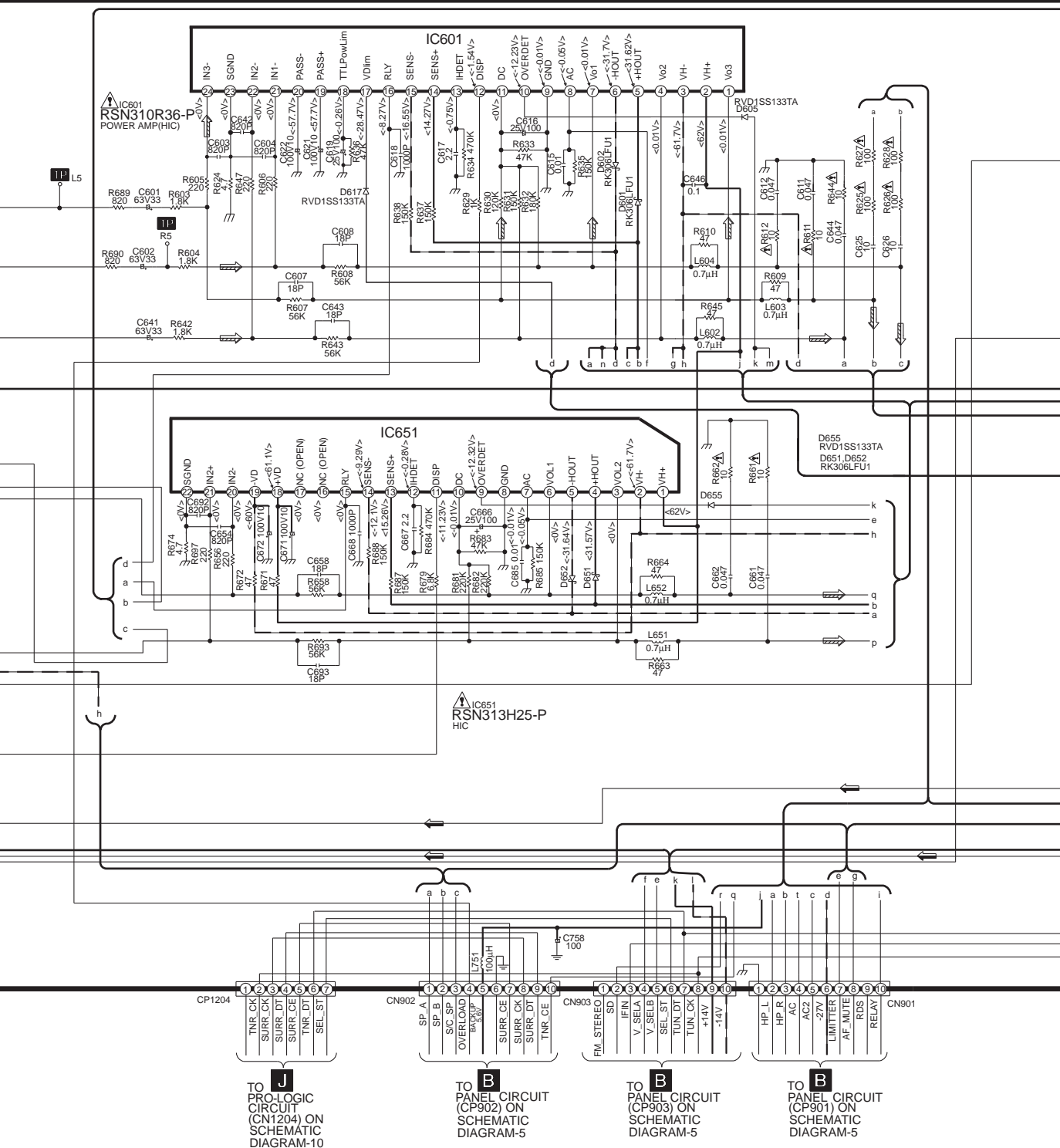
A MAIN CIRCUIT

— : +B line - - - : -B line ⇨ : Main signal line ⇨ : FM/AM signal line



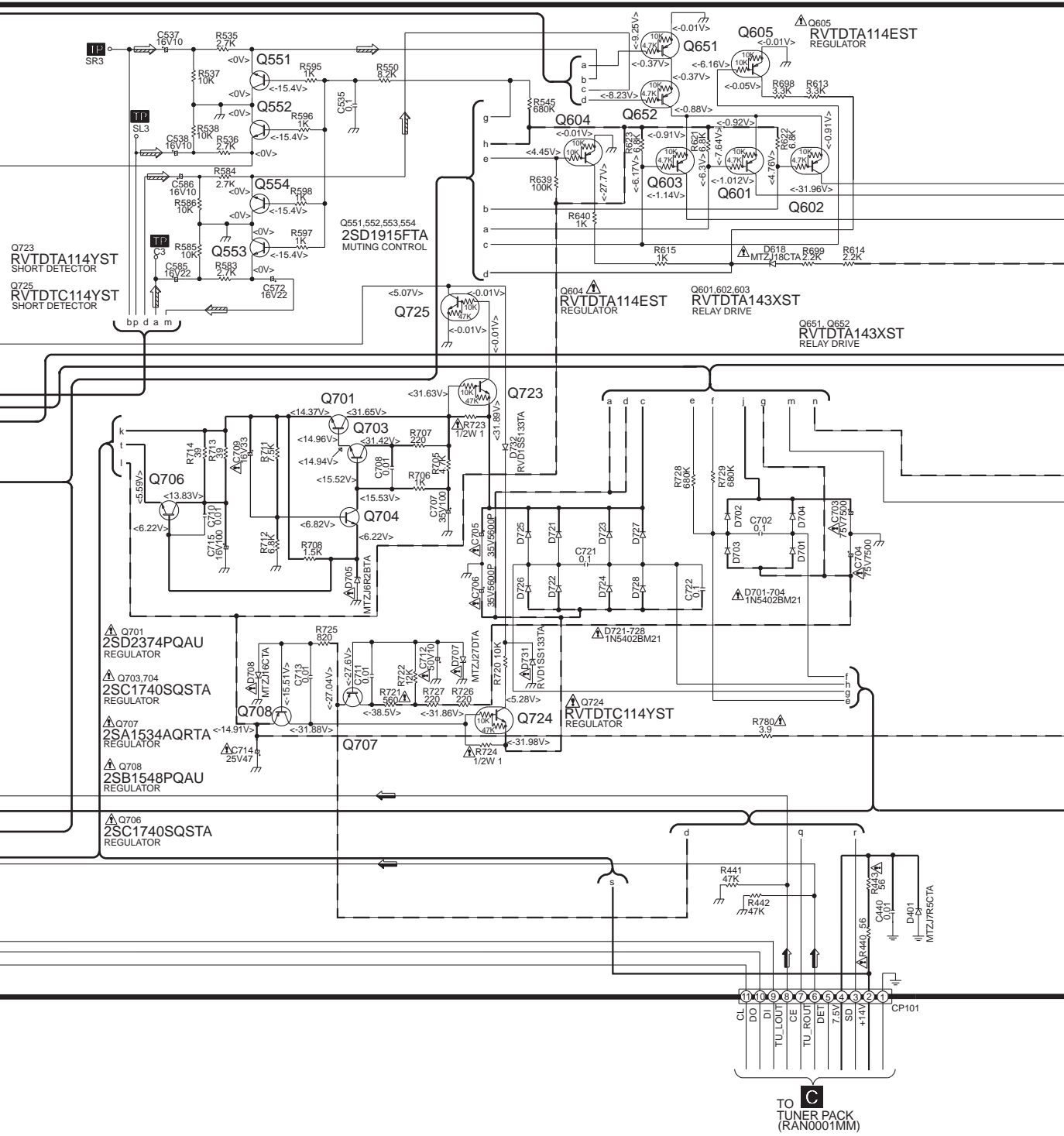
SCHEMATIC DIAGRAM-2

— : +B line - - - : -B line ⇨ : Main signal line ⇨ : FM/AM signal line



SCHEMATIC DIAGRAM-3

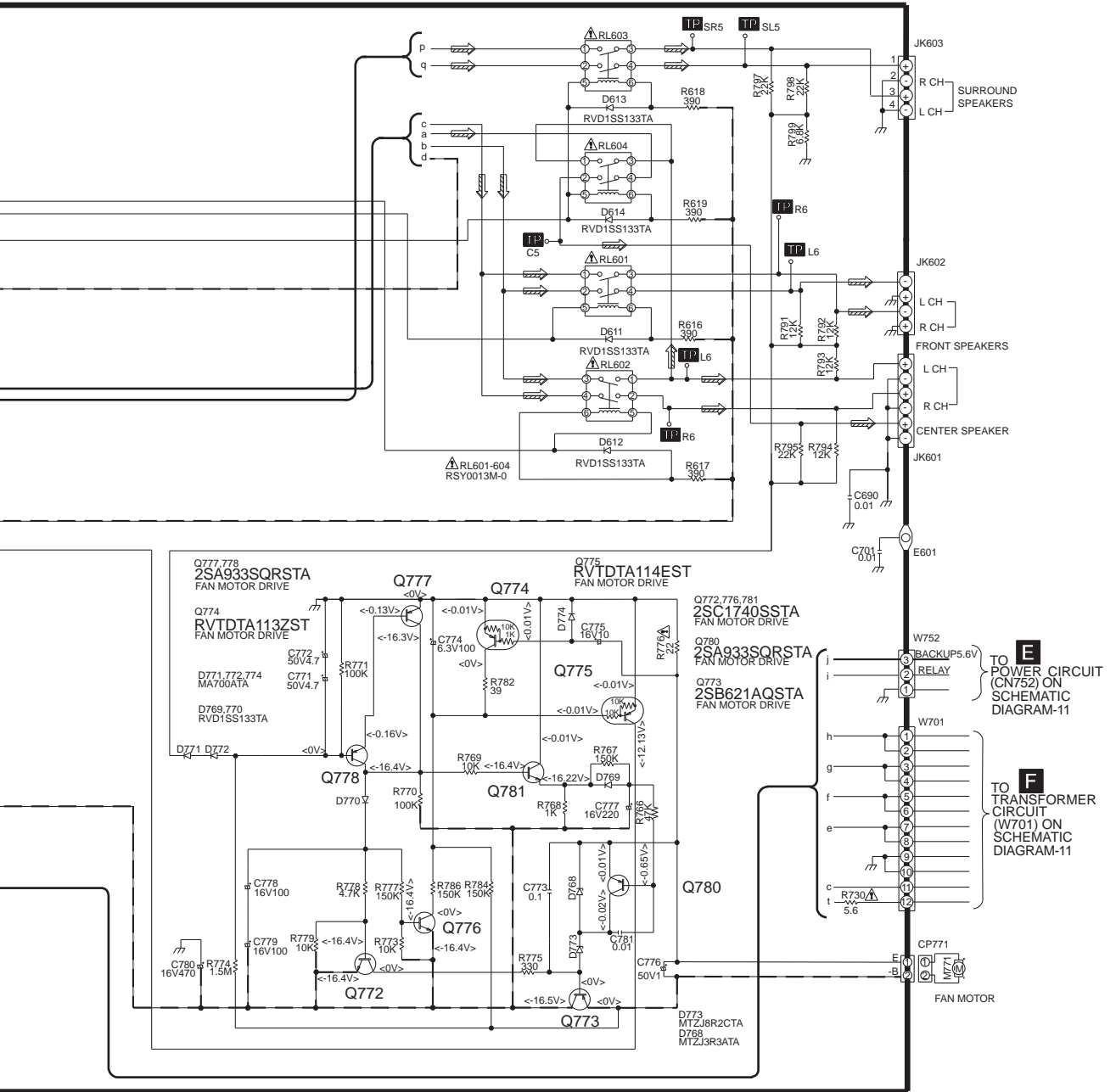
: +B line
 : -B line
 : Main signal line
 : FM/AM signal line



TO TUNER PACK (RAN0001MM)
 CL DO DI TUL OUT CE TUL ROUT DET 7.5V SD +14V CP101

SCHEMATIC DIAGRAM-4

: +B line
 : -B line
 ⇨ : Main signal line



SCHEMATIC DIAGRAM-5

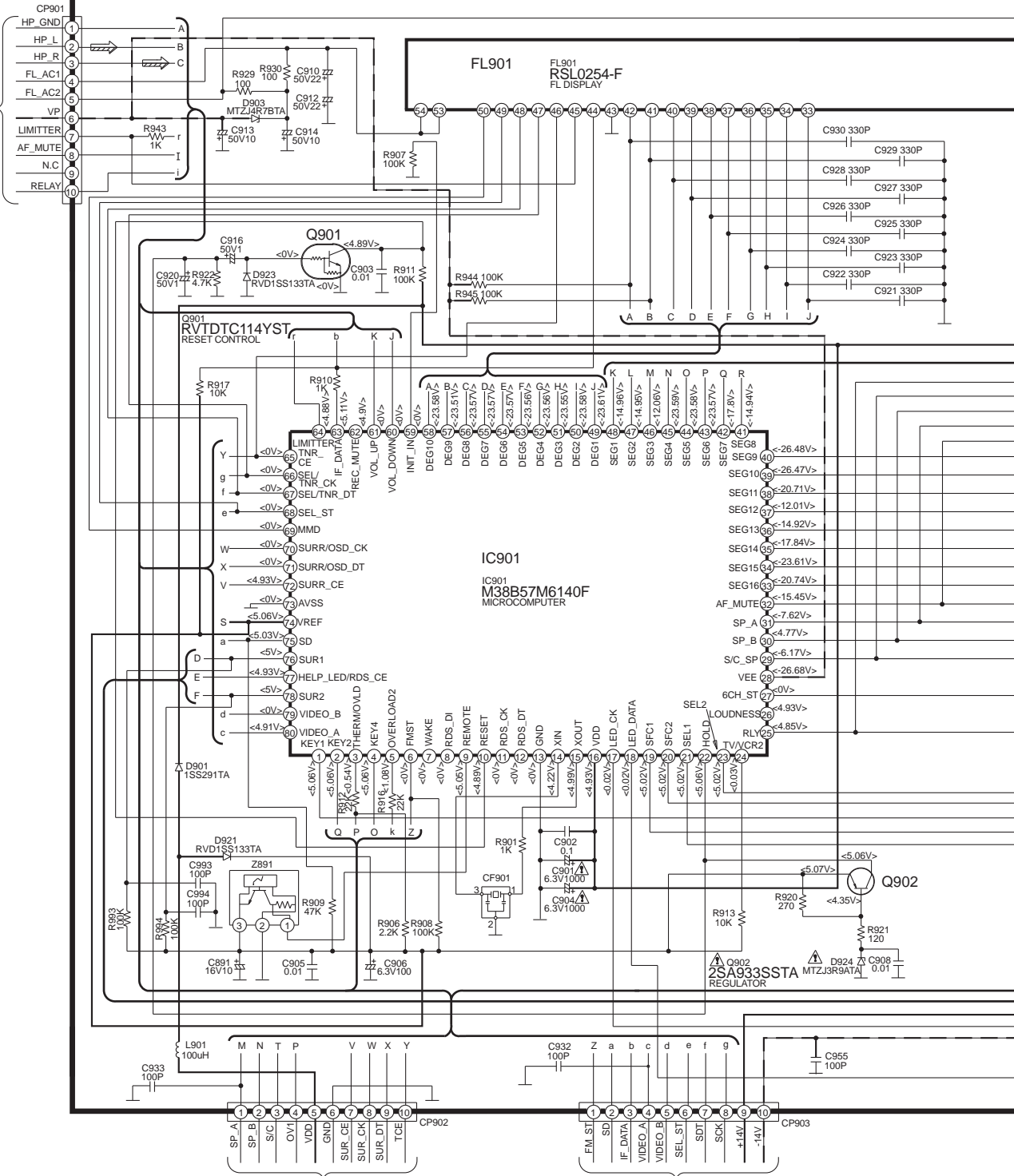
— : +B Line

- - - - - : -B Line

⇒ : Main Signal Line

B PANEL CIRCUIT

TO MAIN CIRCUIT (CN901) ON SCHEMATIC DIAGRAM-2



TO MAIN CIRCUIT (CN902) ON SCHEMATIC DIAGRAM-2

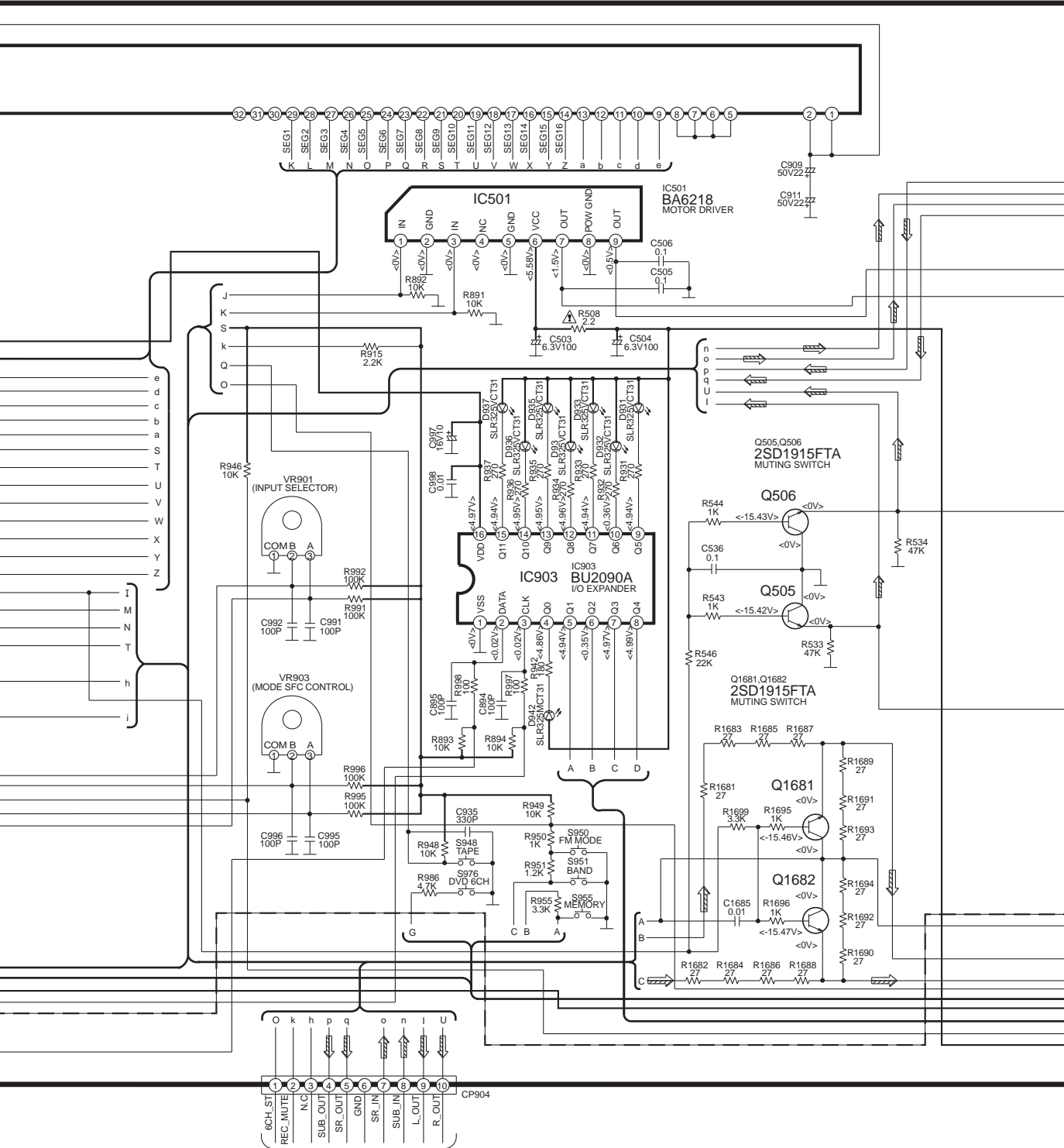
TO MAIN CIRCUIT (CN903) ON SCHEMATIC DIAGRAM-2

SCHEMATIC DIAGRAM-6

_____ : +B Line

----- : -B Line

⇒ : Main Signal Line



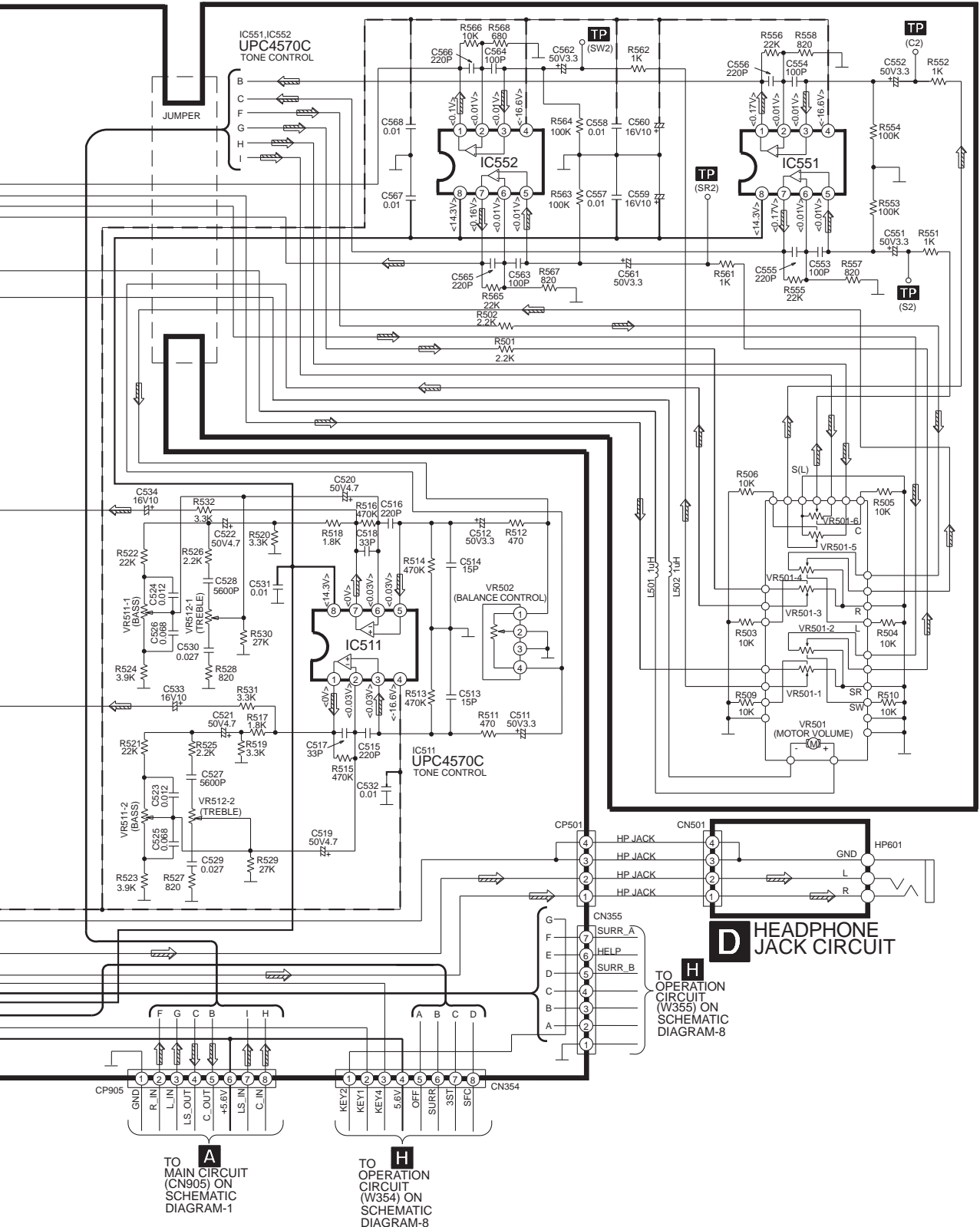
A
TO
MAIN CIRCUIT
(CN904) ON
SCHEMATIC
DIAGRAM-1

SCHEMATIC DIAGRAM-7

— : +B Line

- - - - - : -B Line

⇒ : Main Signal Line



A
TO MAIN CIRCUIT
(CN905) ON
SCHEMATIC
DIAGRAM-1

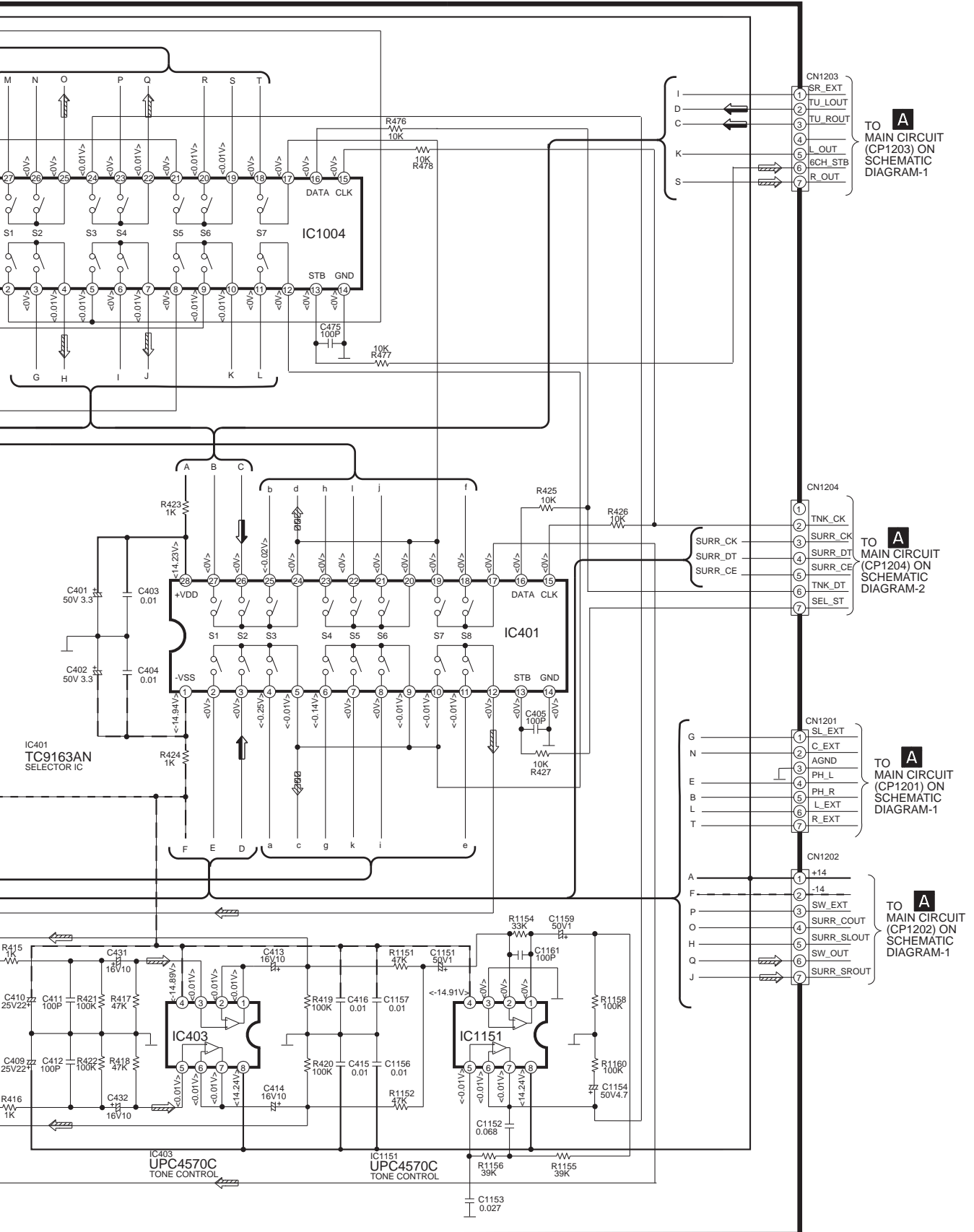
H
TO OPERATION
CIRCUIT
(W354) ON
SCHEMATIC
DIAGRAM-8

D HEADPHONE JACK CIRCUIT

H
TO OPERATION
CIRCUIT
(W355) ON
SCHEMATIC
DIAGRAM-8

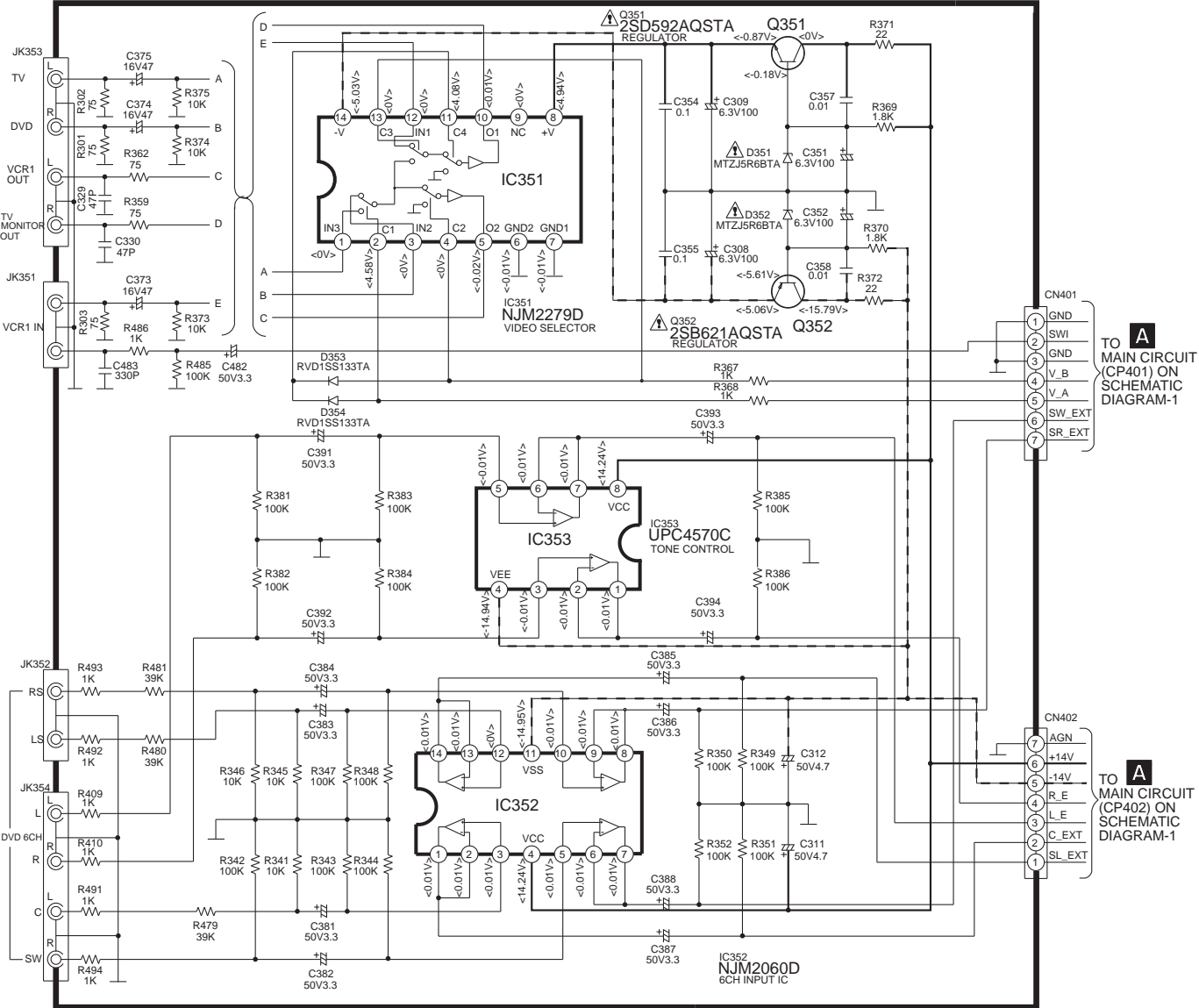
SCHEMATIC DIAGRAM - 10

— : +B Line — — : -B Line \Rightarrow : Main Signal Line \Rightarrow : Record Signal Line \Rightarrow : FM/AM signal line



— : +B Line - - - - : -B Line

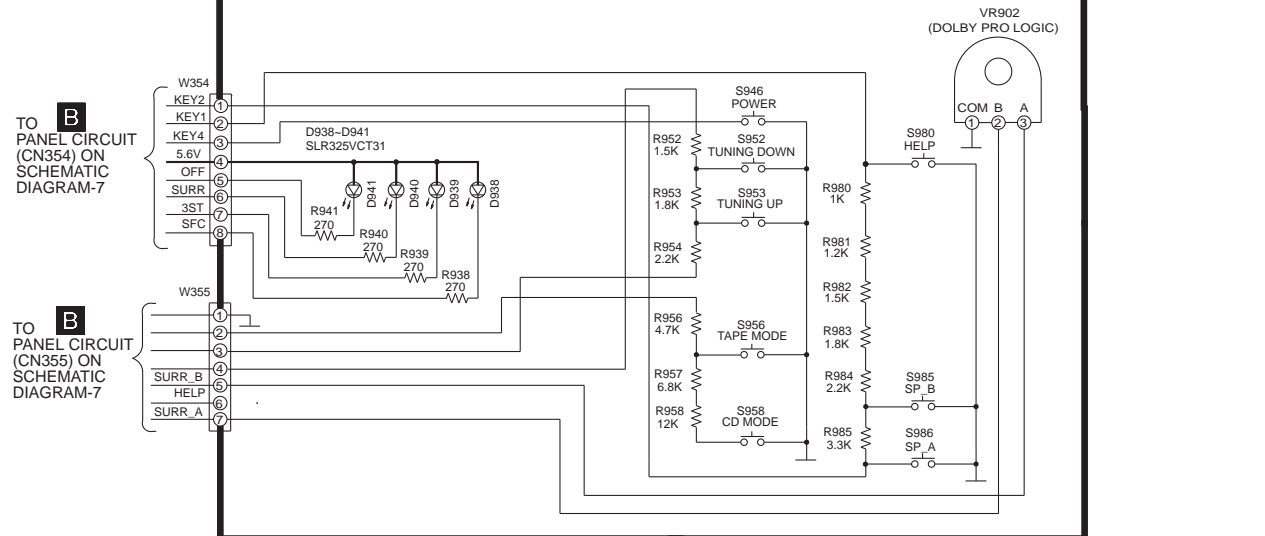
AC-3 CIRCUIT



A TO MAIN CIRCUIT (CP401) ON SCHEMATIC DIAGRAM-1

A TO MAIN CIRCUIT (CP402) ON SCHEMATIC DIAGRAM-1

OPERATION CIRCUIT



B TO PANEL CIRCUIT (CN354) ON SCHEMATIC DIAGRAM-7

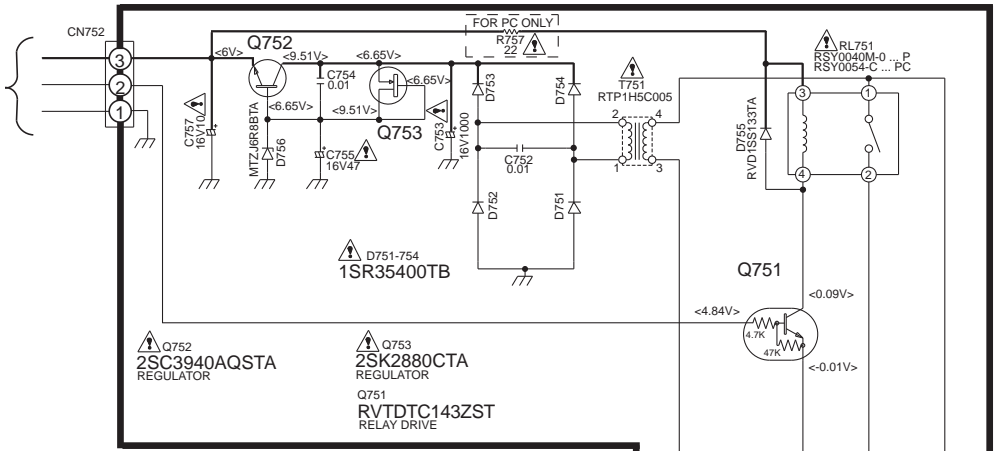
B TO PANEL CIRCUIT (CN355) ON SCHEMATIC DIAGRAM-7

SCHEMATIC DIAGRAM-11

E POWER CIRCUIT

— : +B line

TO MAIN CIRCUIT (W752) ON SCHEMATIC DIAGRAM-4

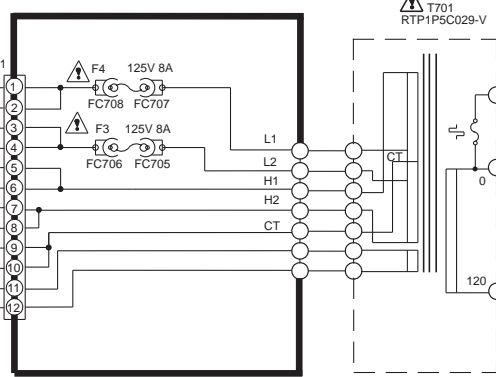


Q752
2SC3940AQSTA
REGULATOR

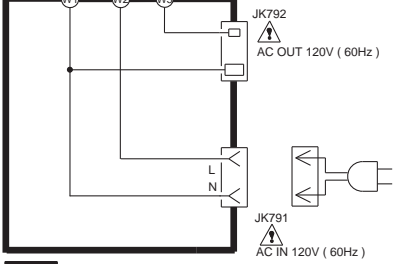
Q753
2SK2880CTA
REGULATOR

Q751
RVTDC143ZST
RELAY DRIVE

TO MAIN CIRCUIT (W701) ON SCHEMATIC DIAGRAM-4



F TRANSFORMER CIRCUIT



G AC IN/OUT CIRCUIT