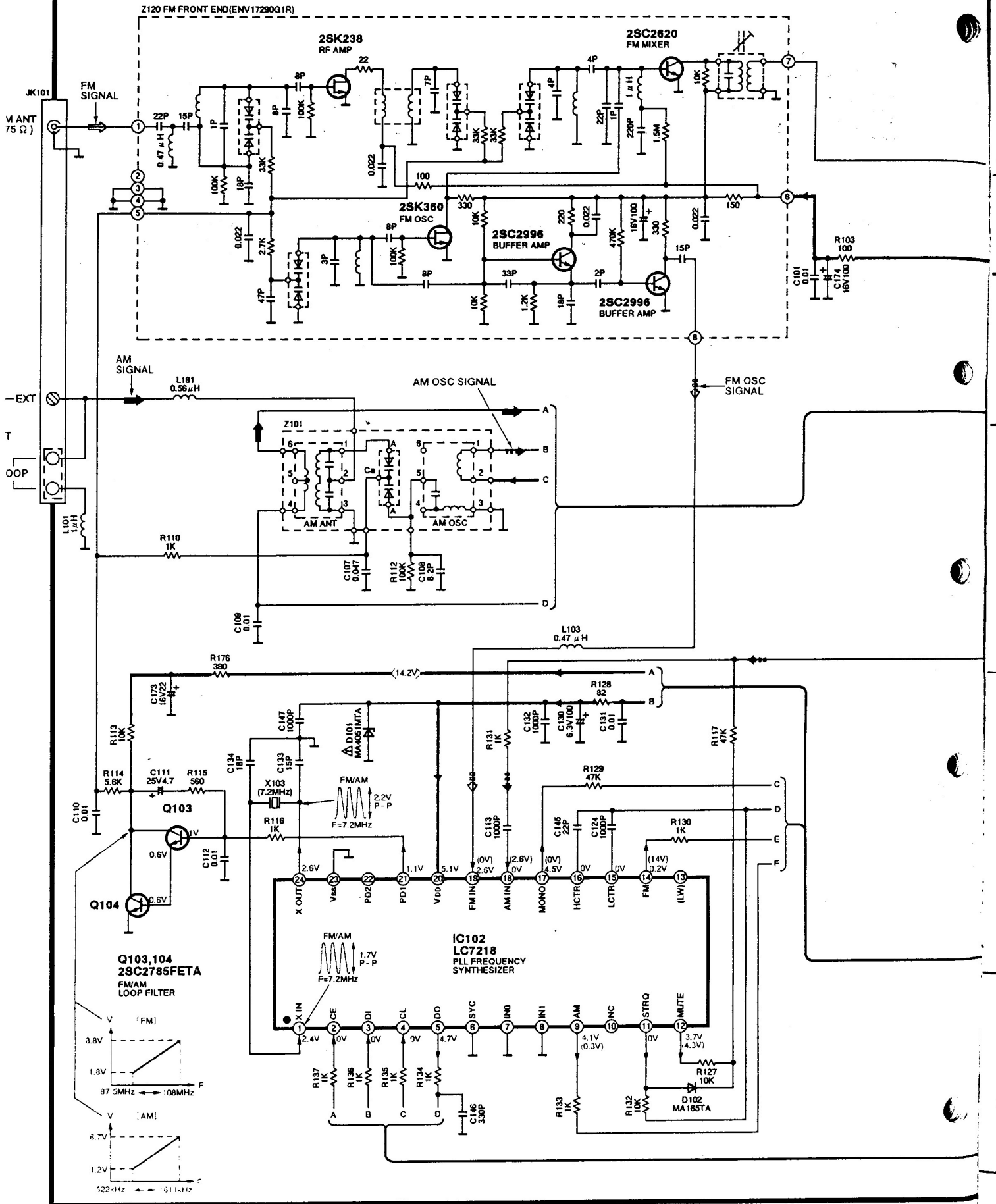
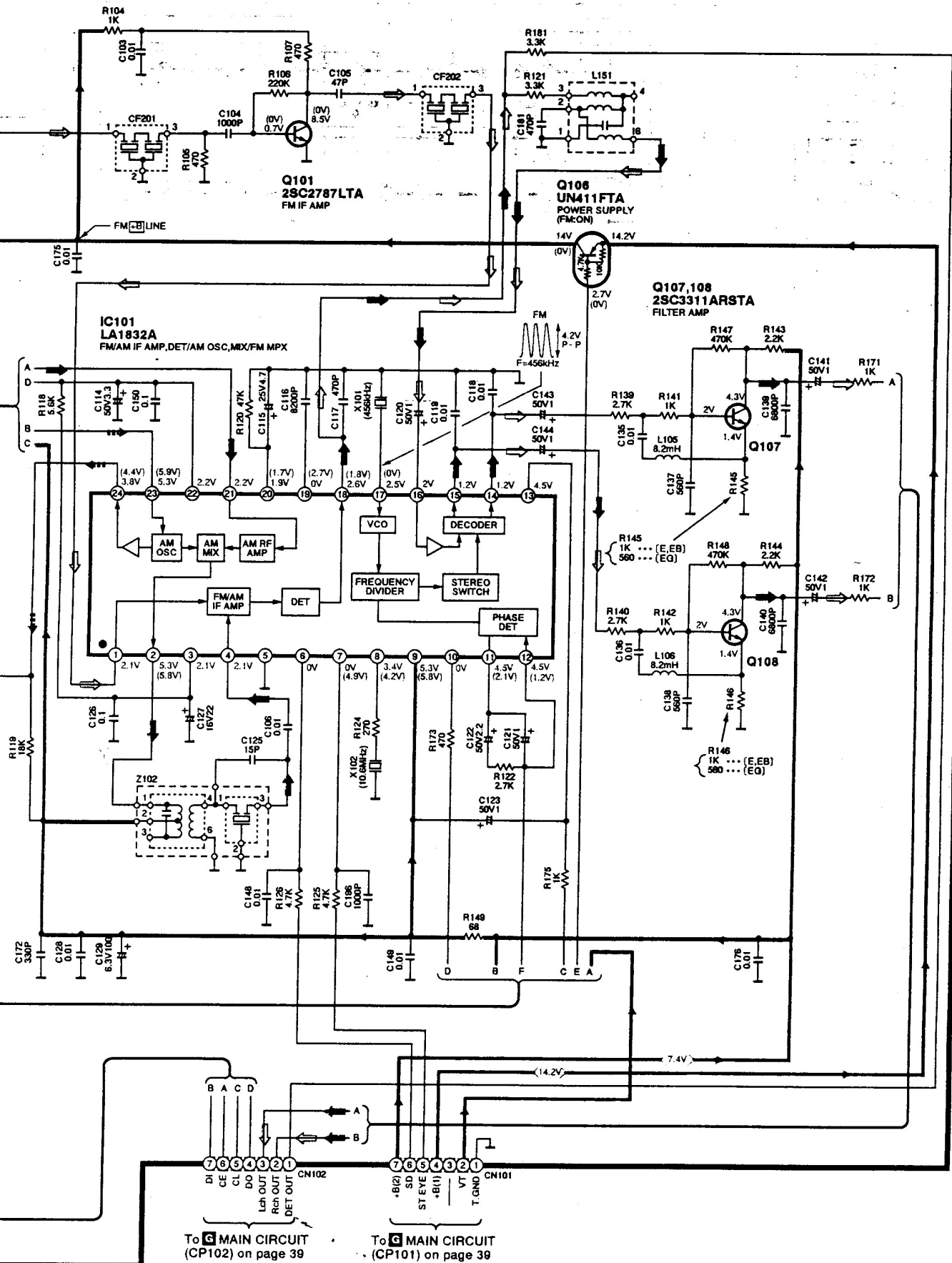
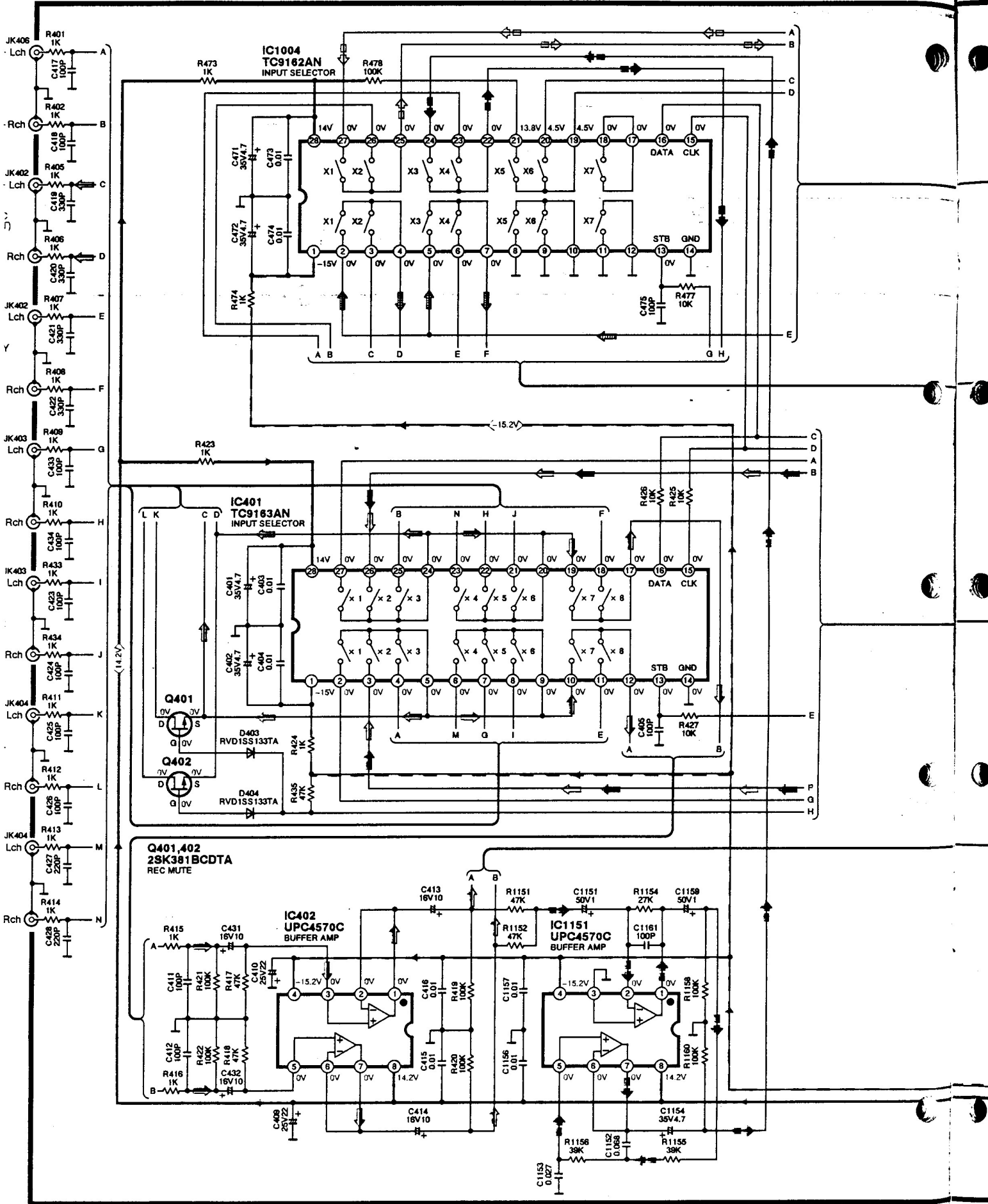


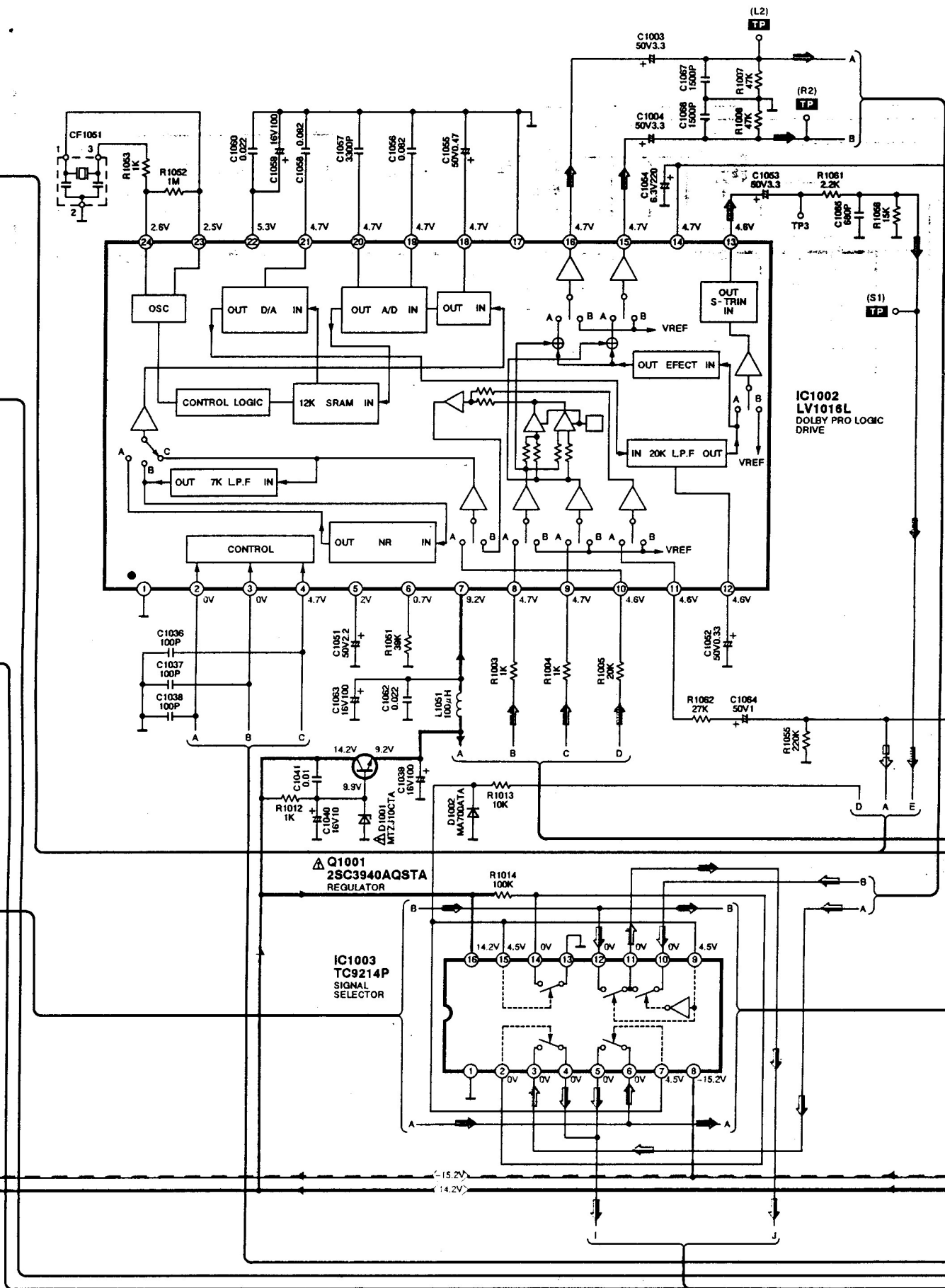
# A TUNER CIRCUIT (P.C.Board: on page 43)

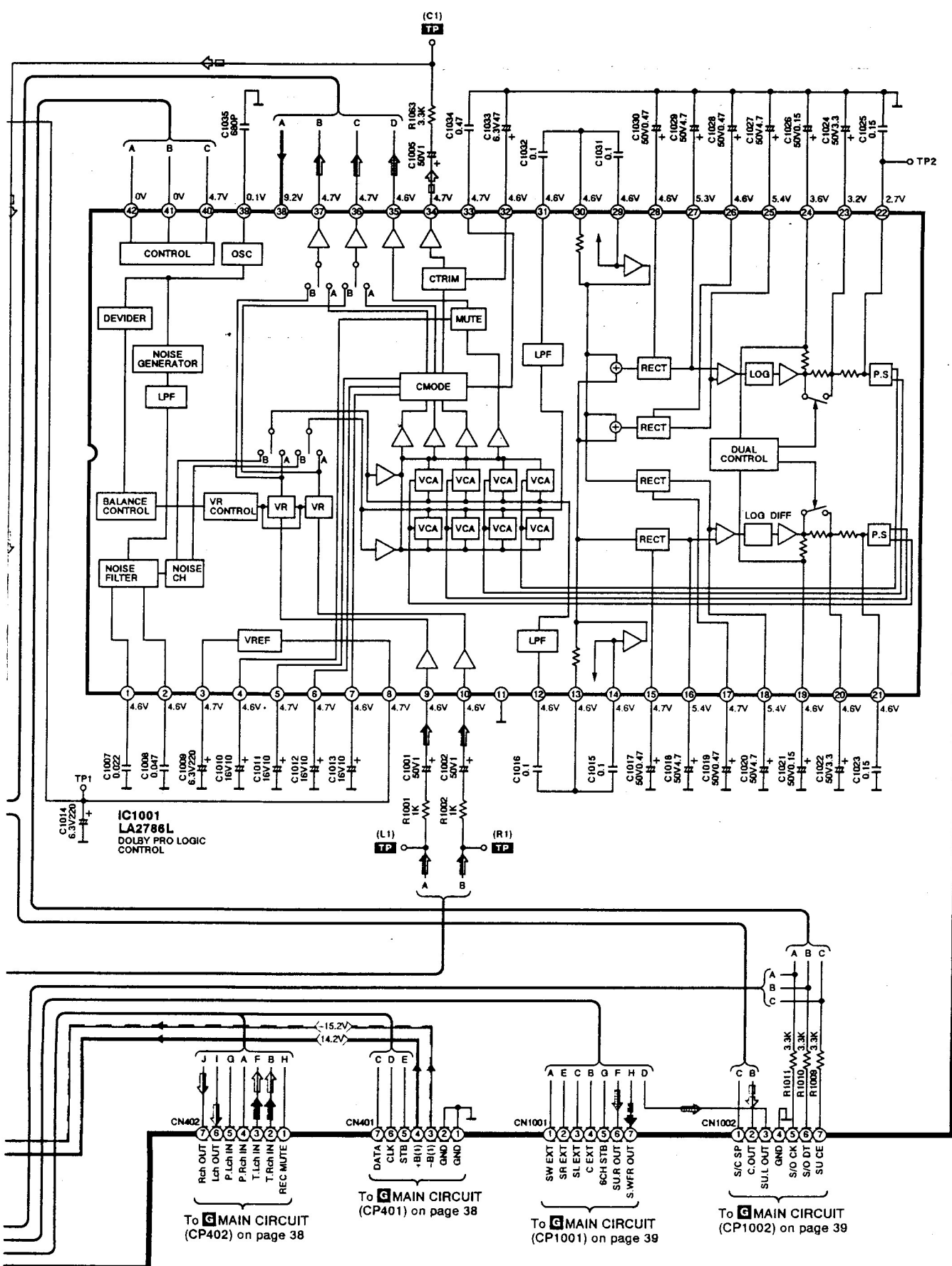




**B** IN/OUT TERMINAL CIRCUIT (P.C.Board: on page 44)







To MAIN CIRCUIT (CN902) on page 39

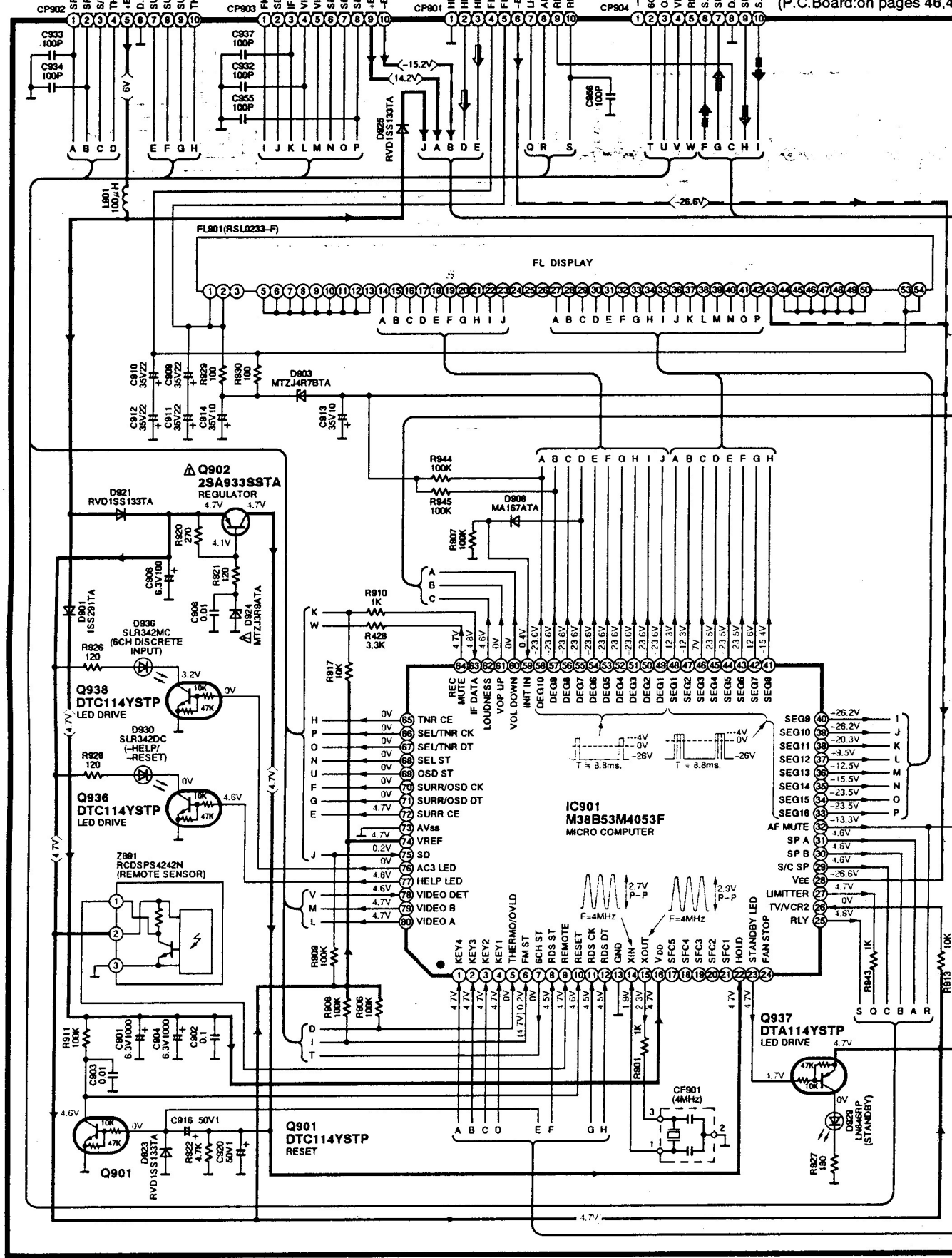
To MAIN CIRCUIT (CN903) on page 39

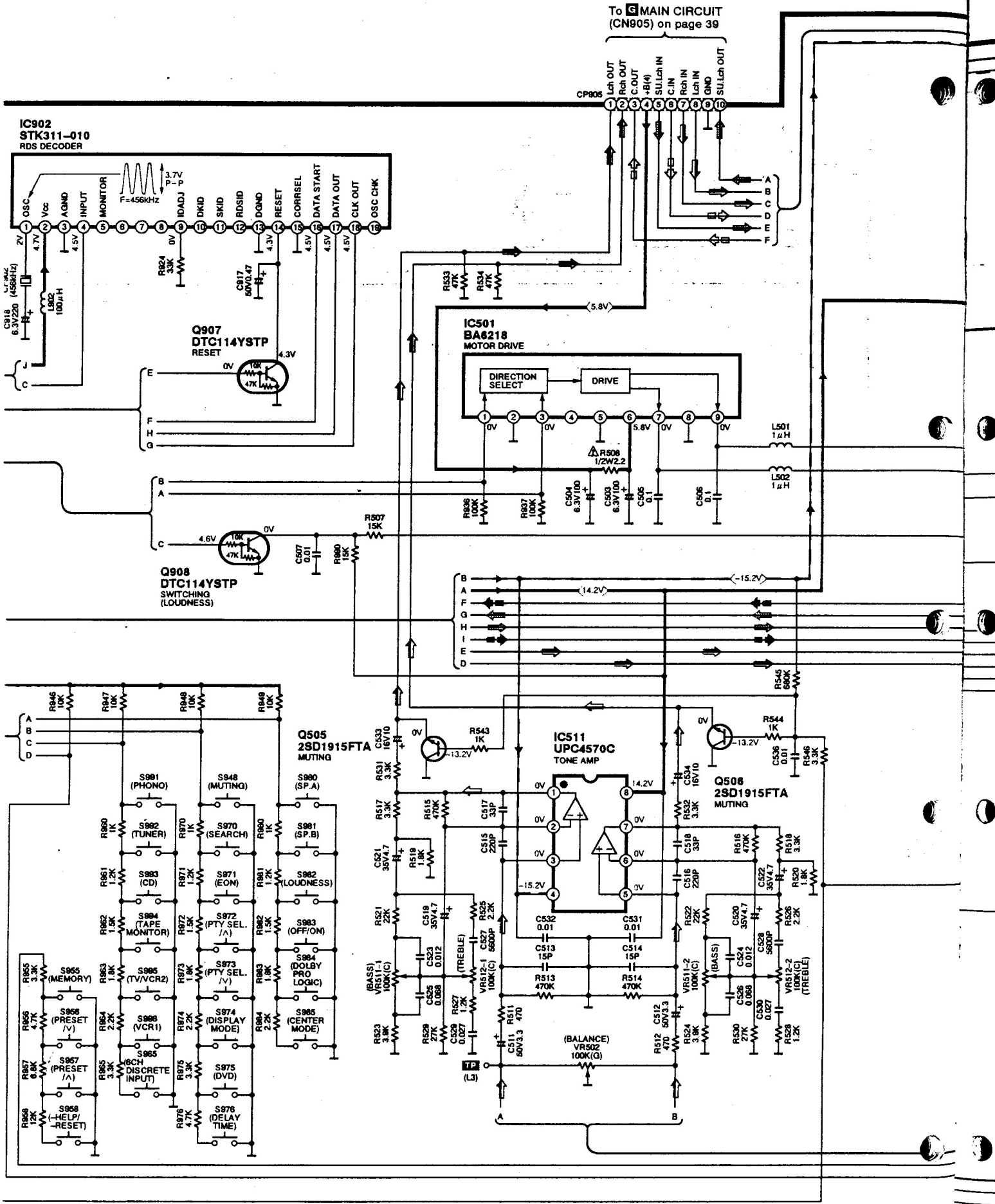
To MAIN CIRCUIT (CN901) on page 39

To MAIN CIRCUIT (CN904) on page 39

### C FL CIRCUIT

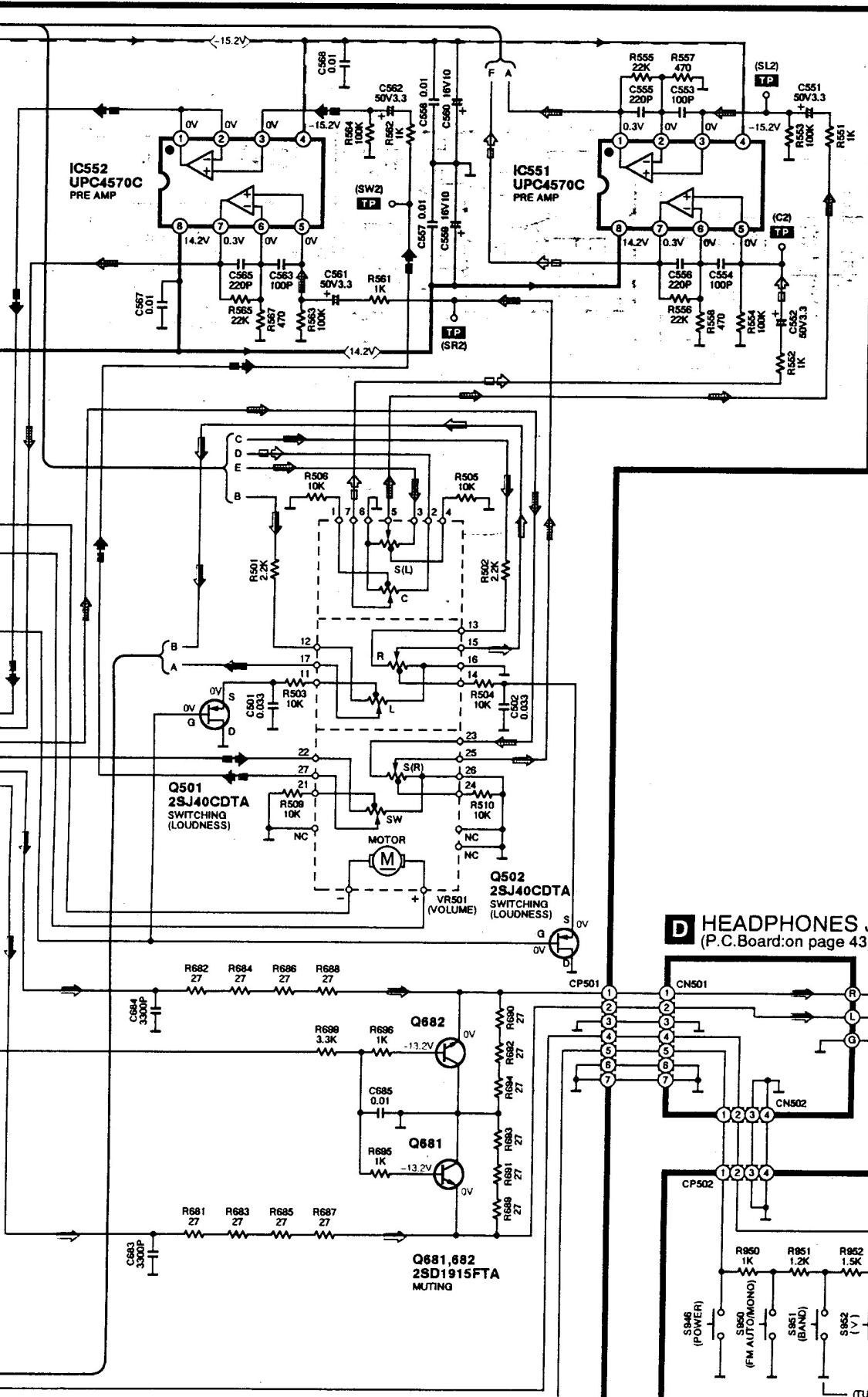
(P.C.Board: on pages 46,47)



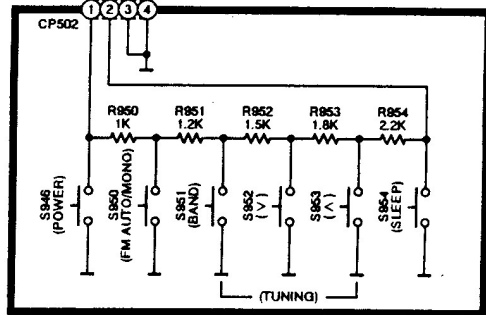
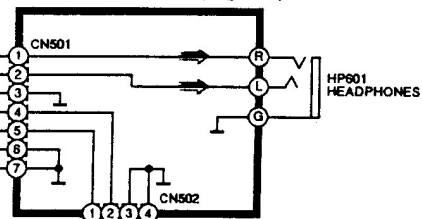


To MAIN CIRCUIT (CN905) on page 39

**C** FL CIRCUIT (P.C.Board: on pages 46,47)



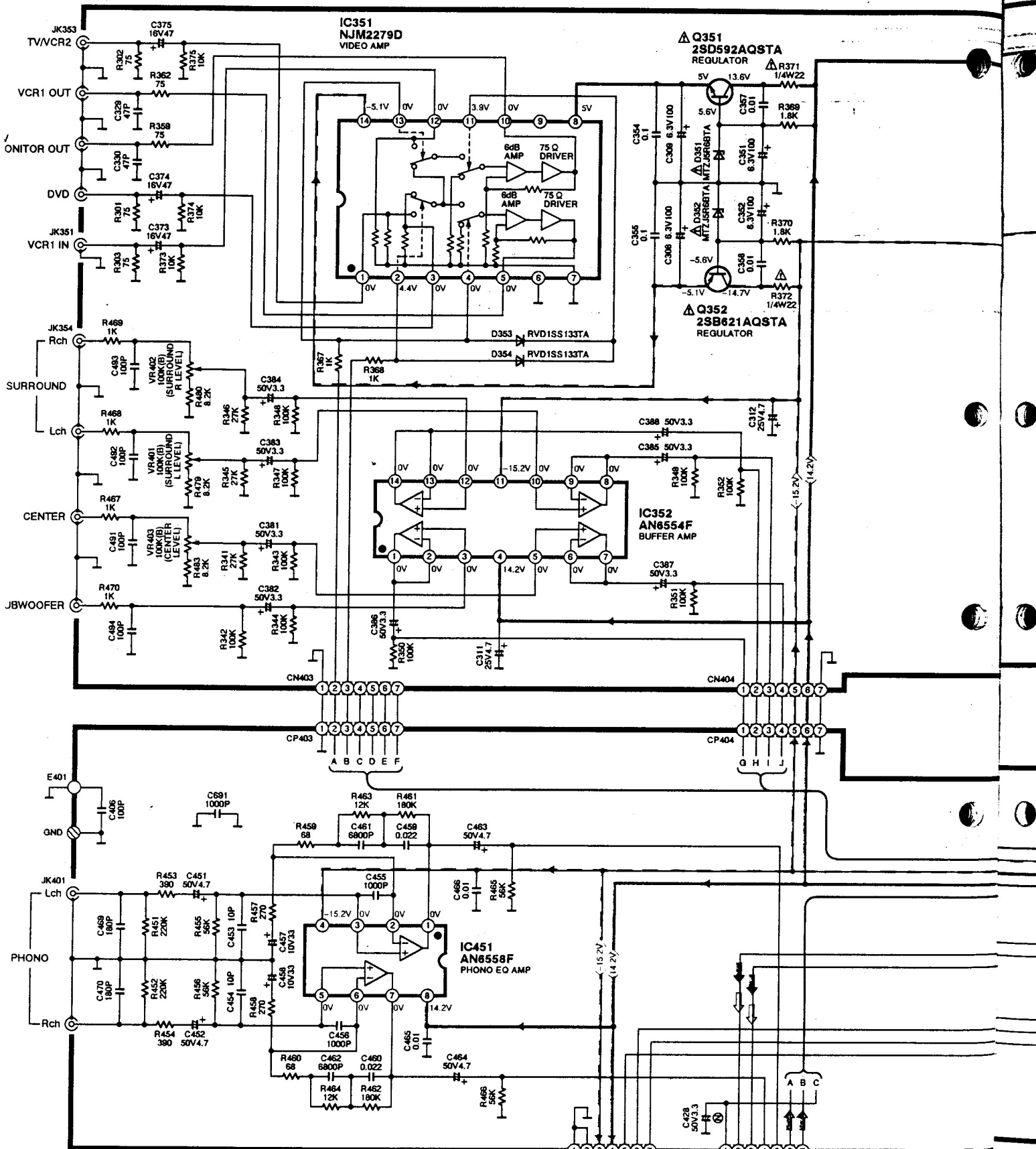
**D** HEADPHONES JACK CIRCUIT (P.C.Board: on page 43)



**E** POWER SWITCH CIRCUIT (P.C.Board: on page 43)



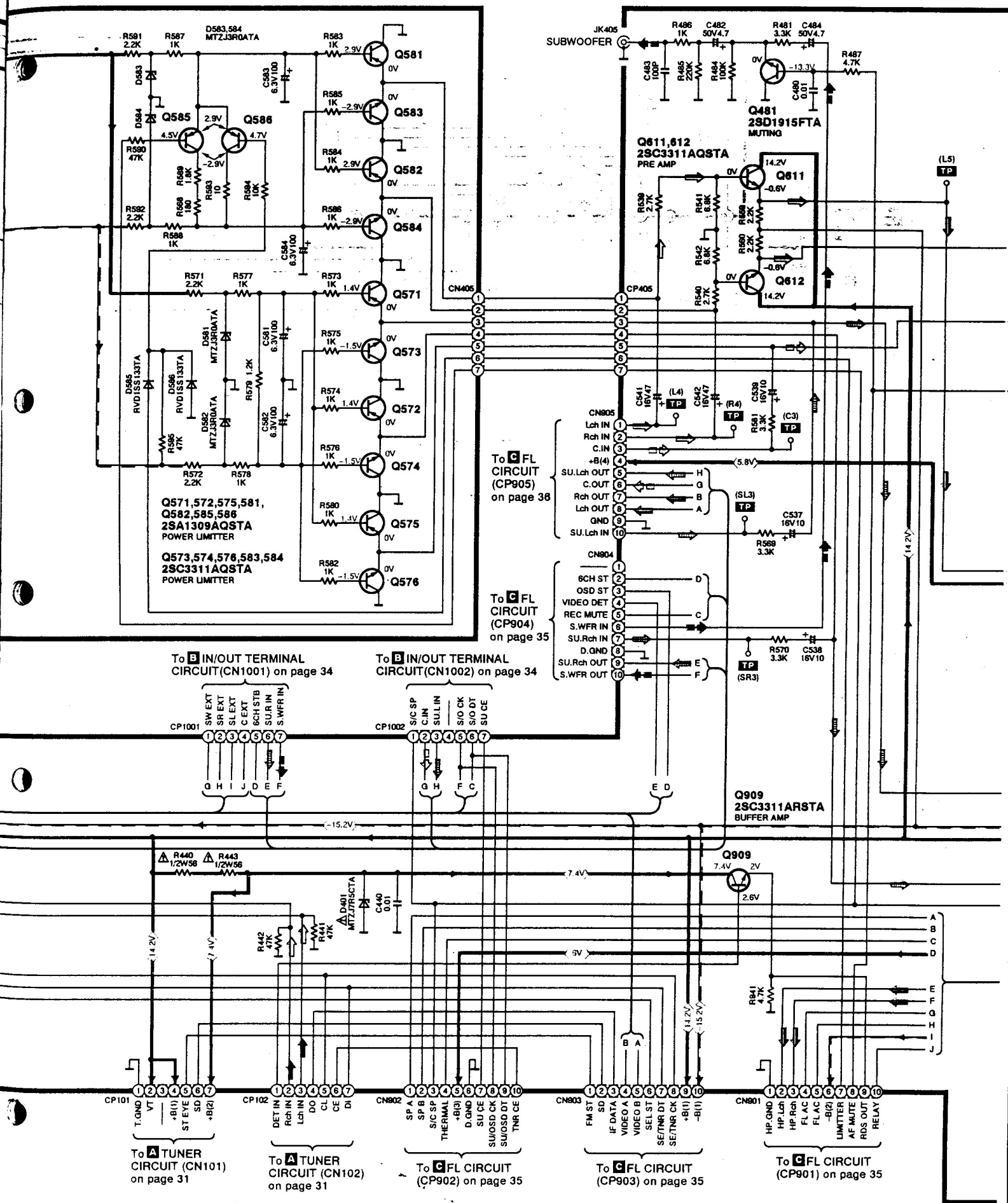
**F** SURROUND CIRCUIT (P.C.Board: on page 45)



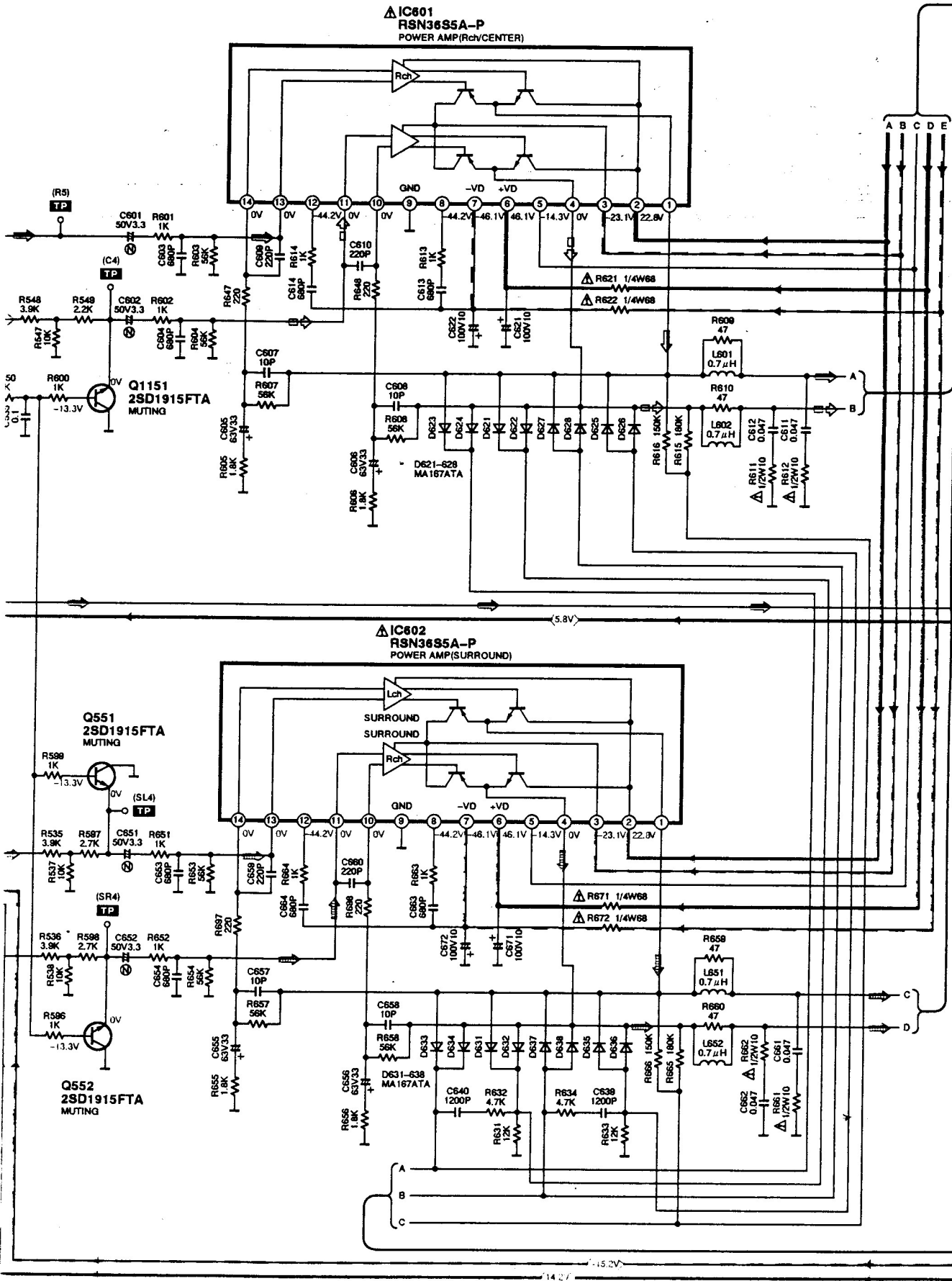
**G** MAIN CIRCUIT (P.C.Board: on pages 48,49)

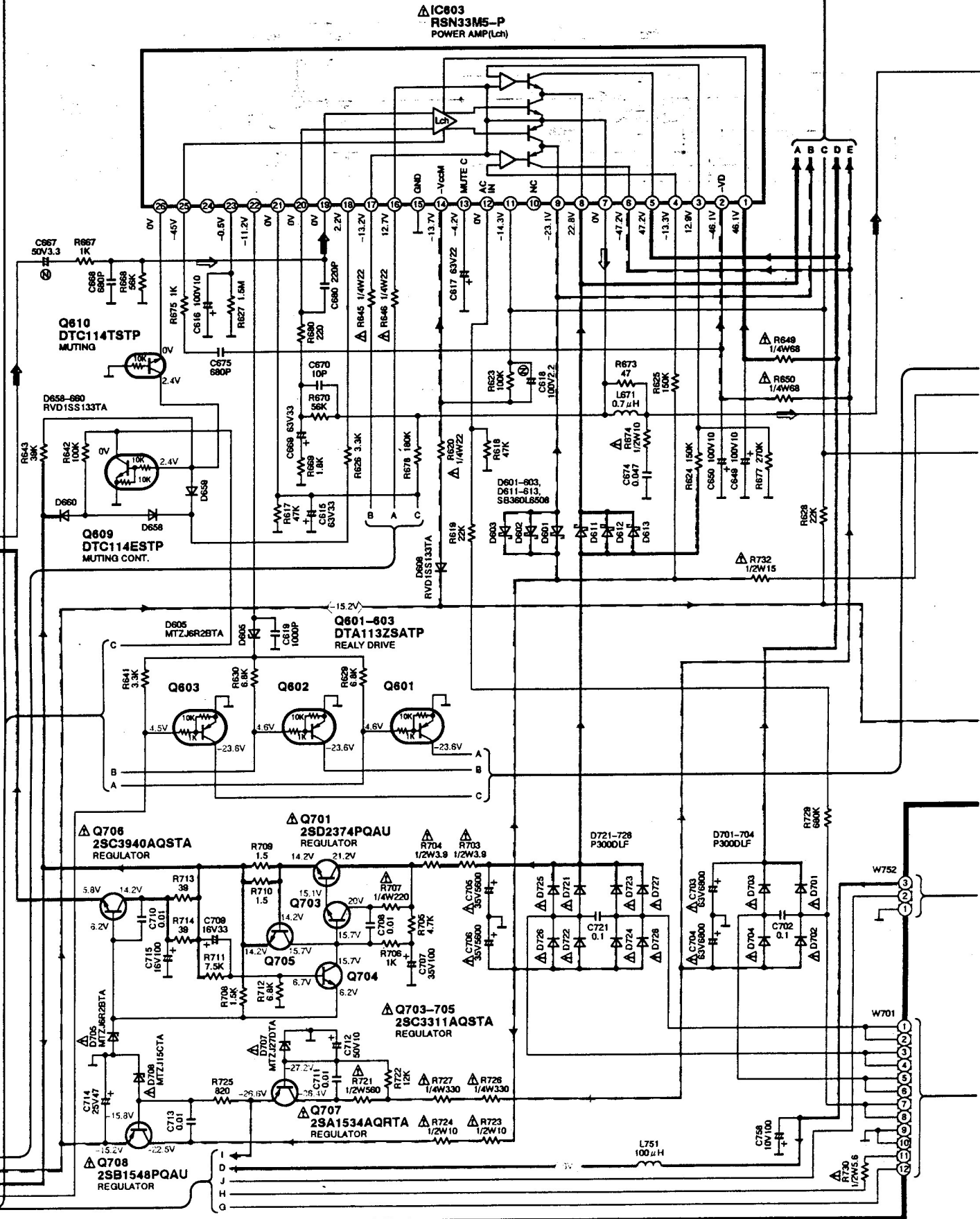
To **F** IN/OUT TERMINAL CIRCUIT (CN401) on page 34

To **F** IN/OUT TERMINAL CIRCUIT (CN402) on page 34

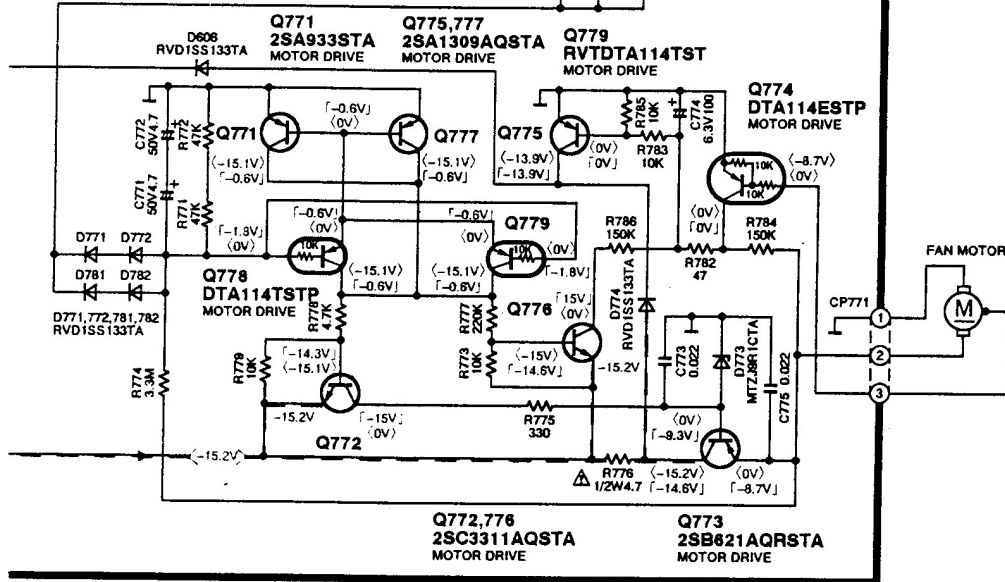
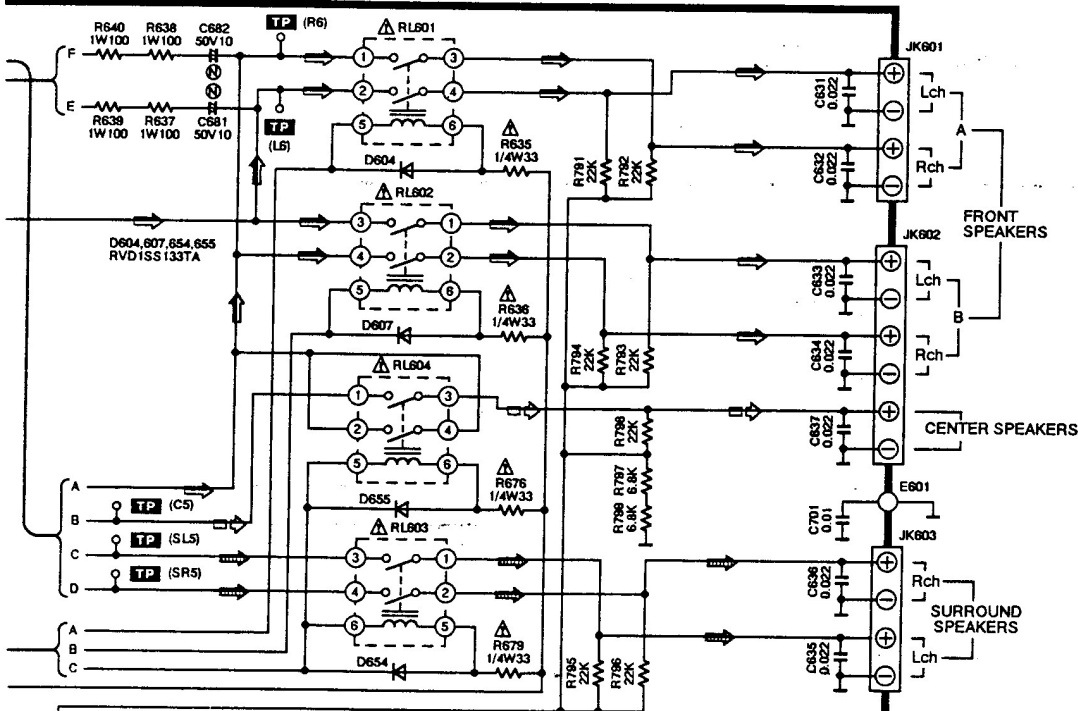


MAIN CIRCUIT (P.C.Board: on pages 48,49)

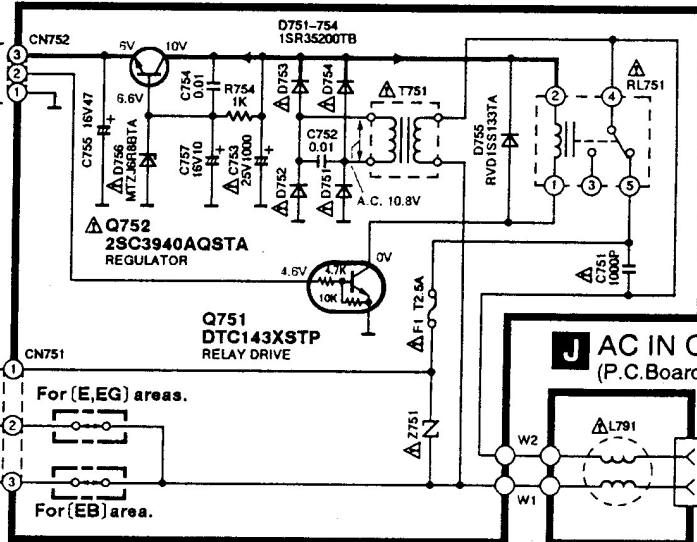




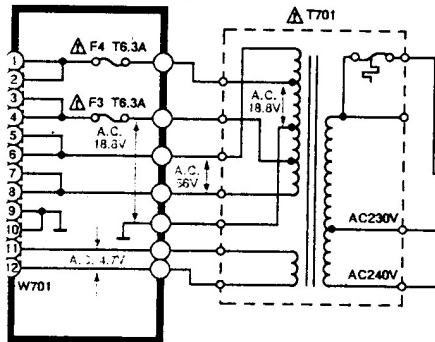
**G MAIN CIRCUIT** (P.C.Board: on pages 48,49)



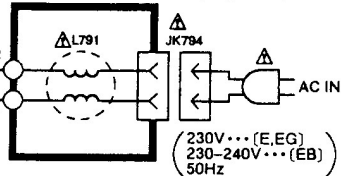
**I POWER SUPPLY CIRCUIT** (P.C.Board: on page 50)



**H TRANSFORMER CIRCUIT**  
(P.C.Board: on page 50)



**J AC IN CIRCUIT**  
(P.C.Board: on page 50)



(230V... (E,EG)  
230-240V... (EB)  
50Hz)