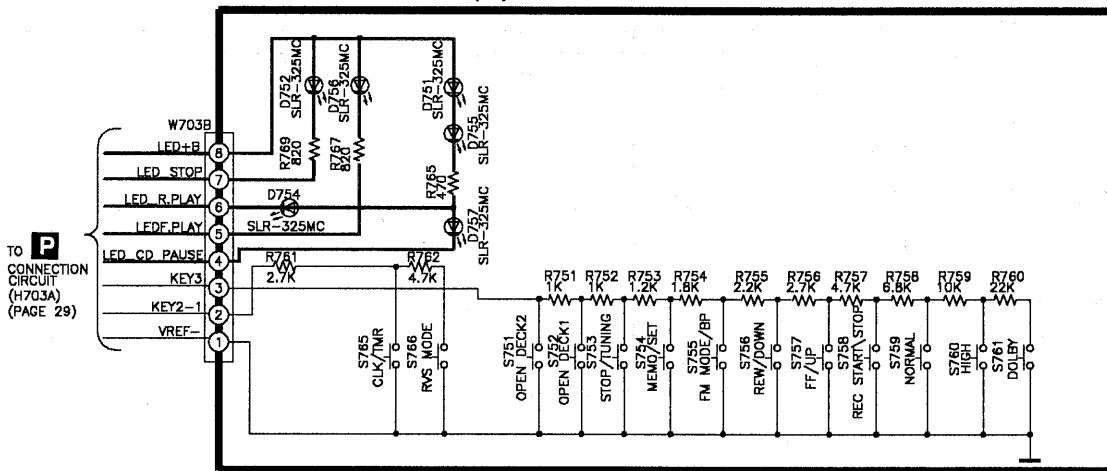
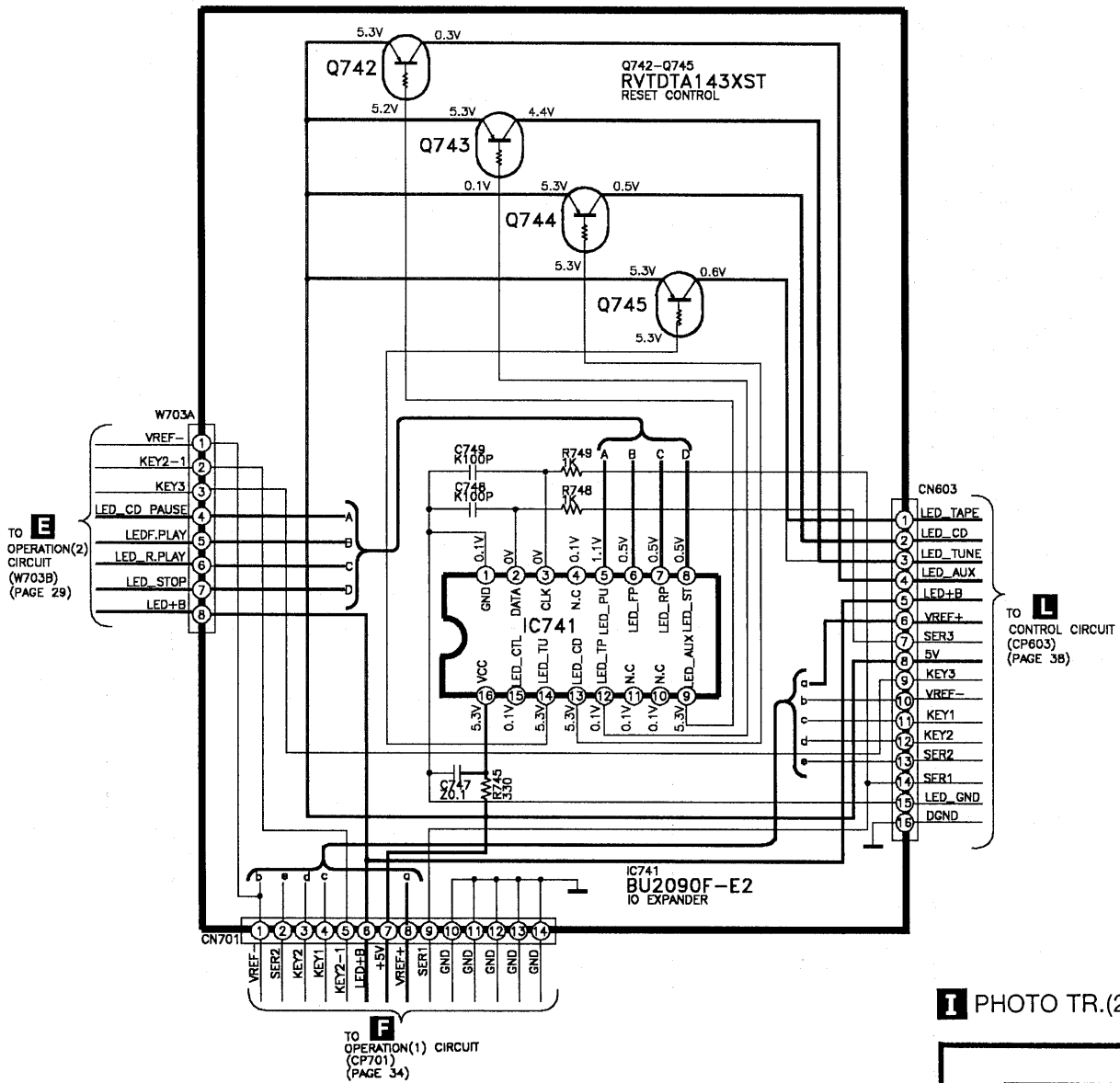


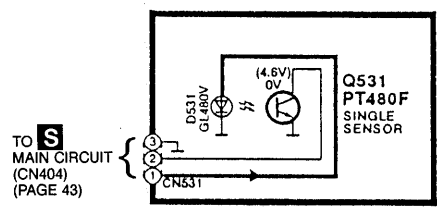
E OPERATION (2) CIRCUIT



P CONNECTION CIRCUIT

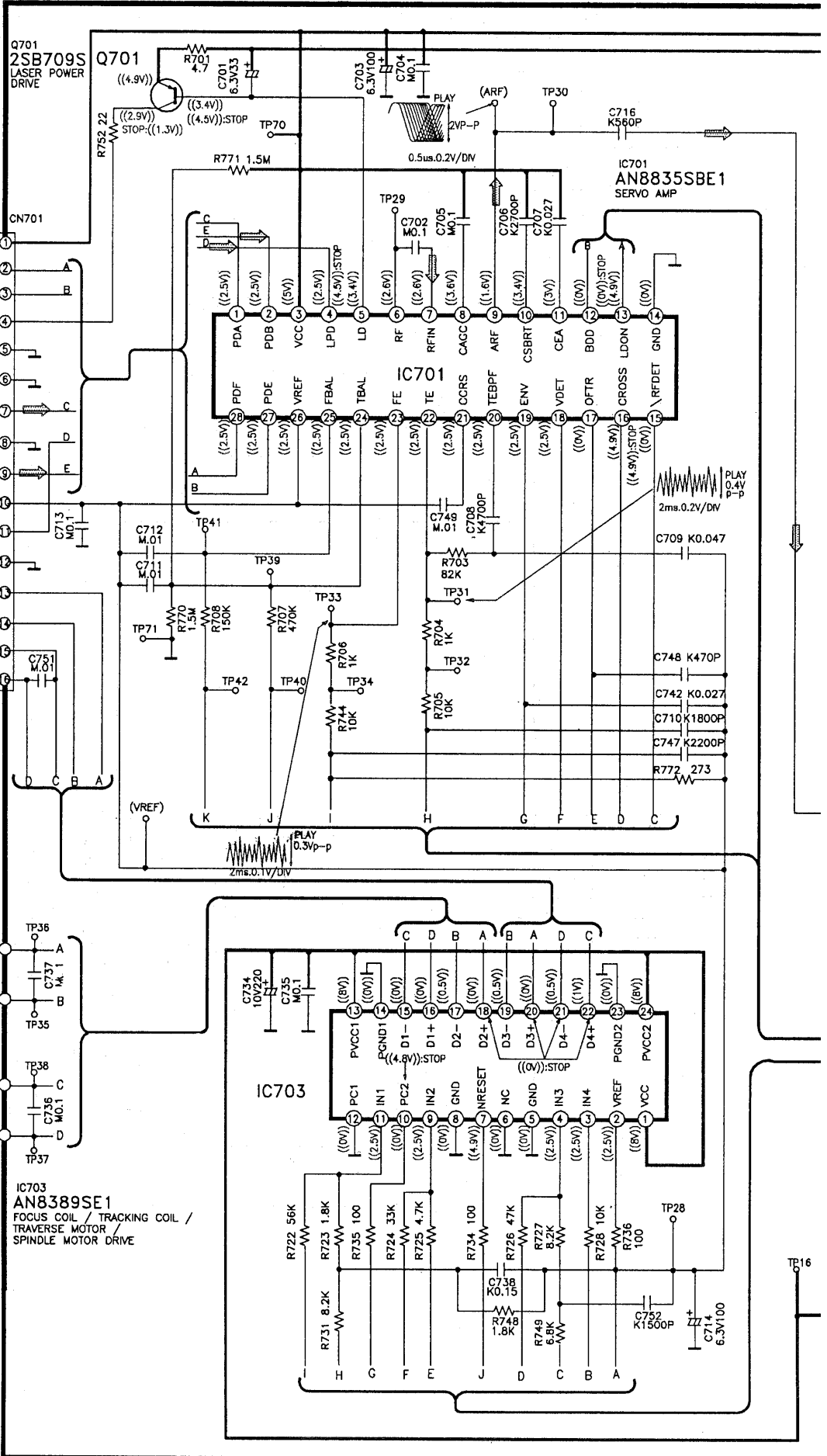
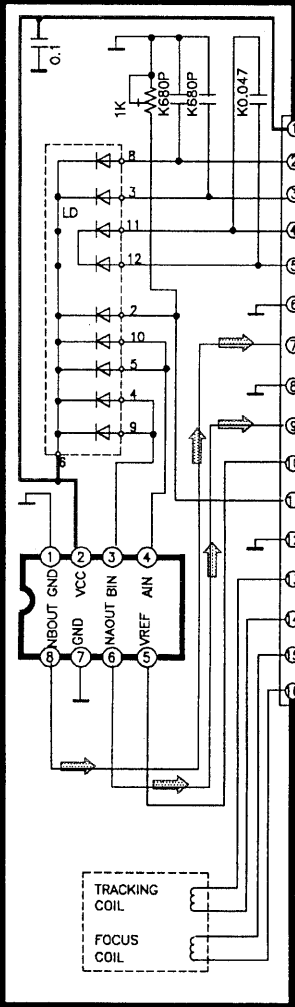


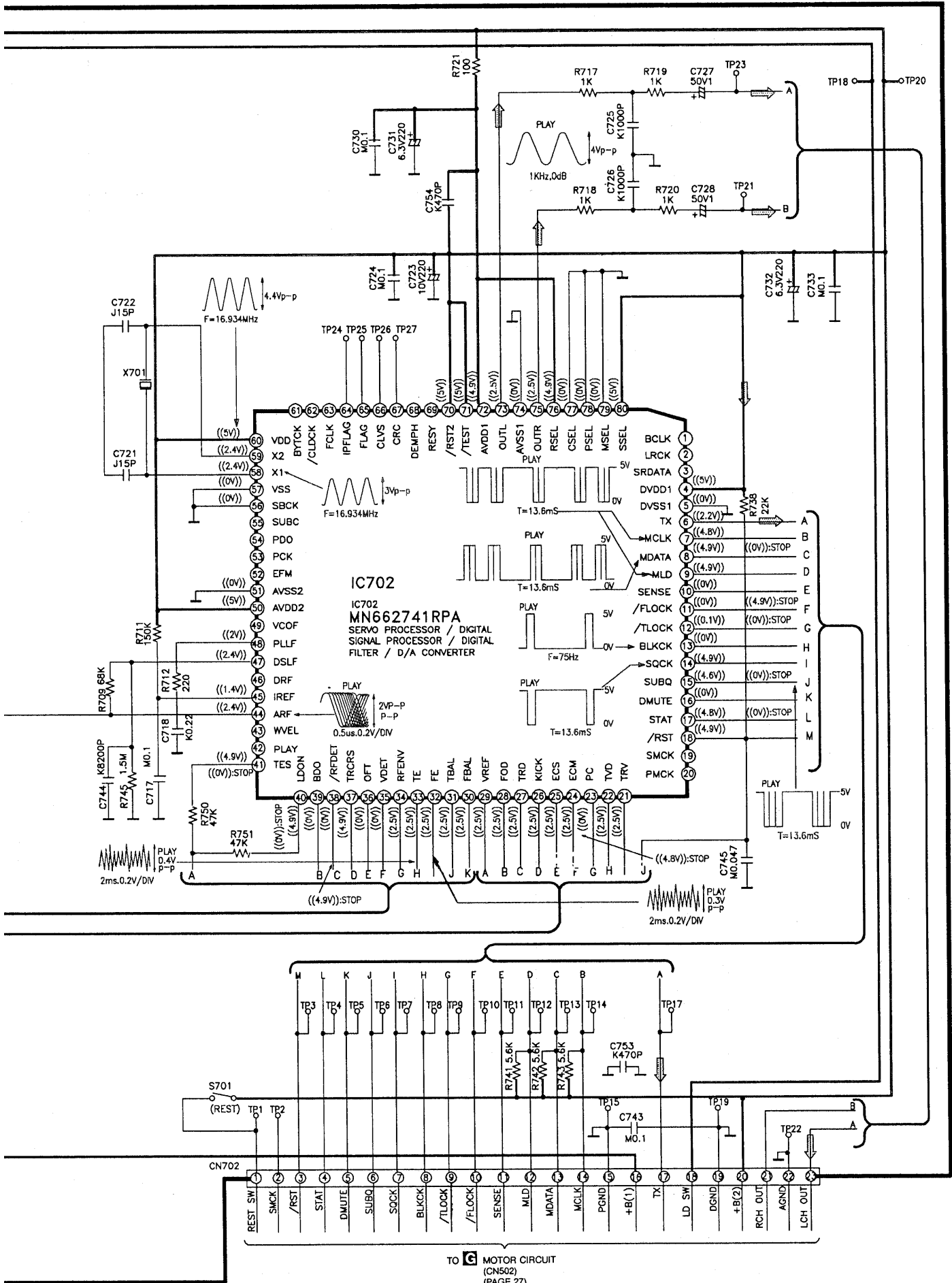
I PHOTO TR.(2) CIRCUIT



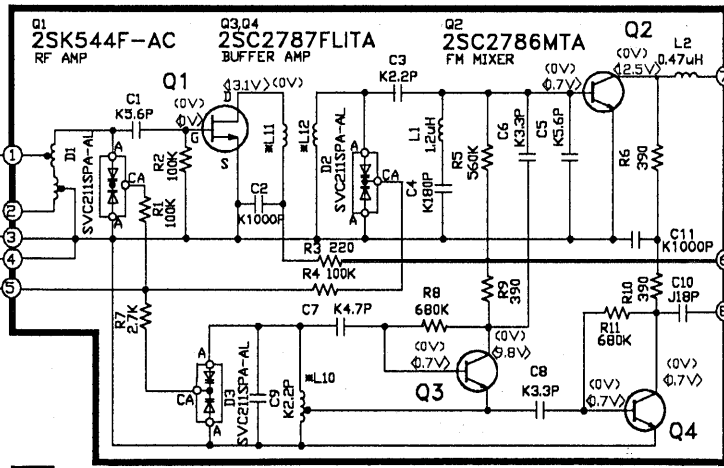
A SERVO CIRCUIT

OPTICAL PICKUP

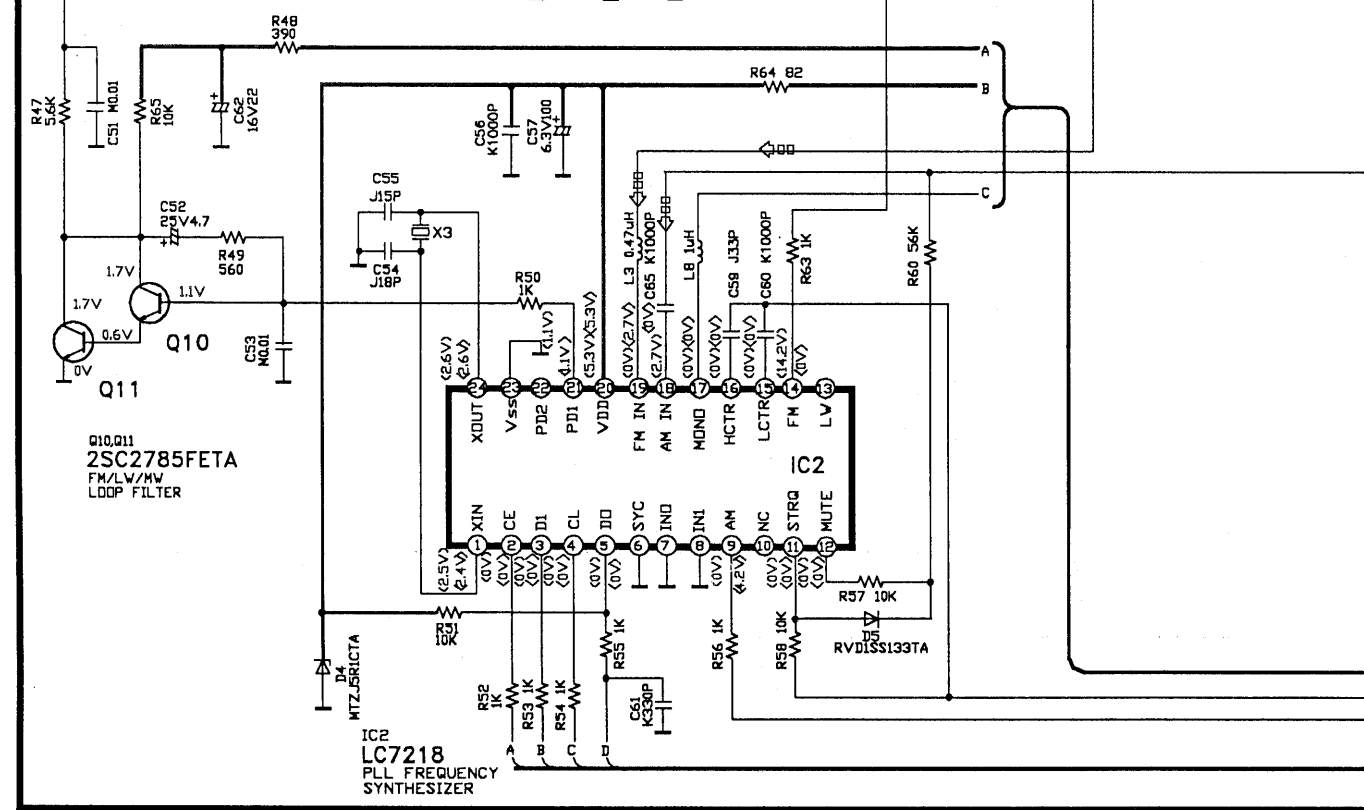
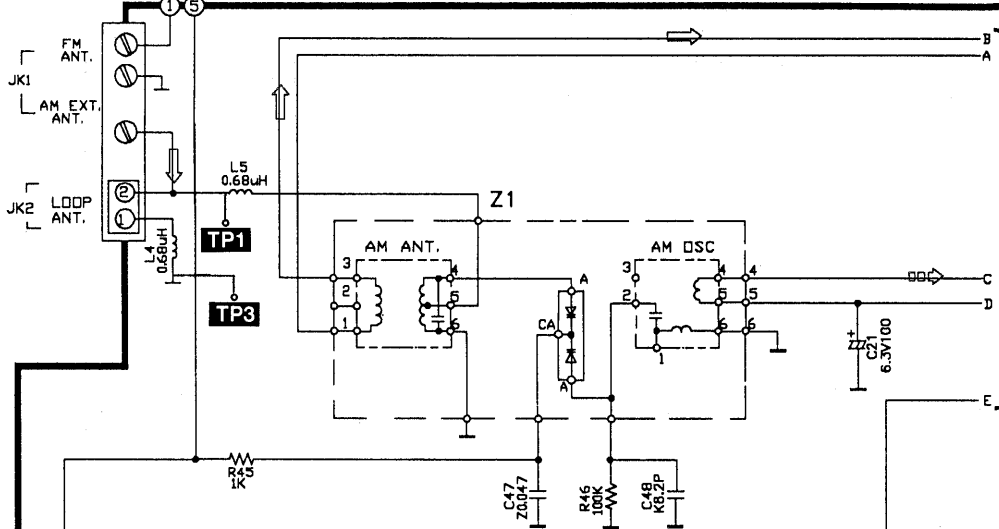


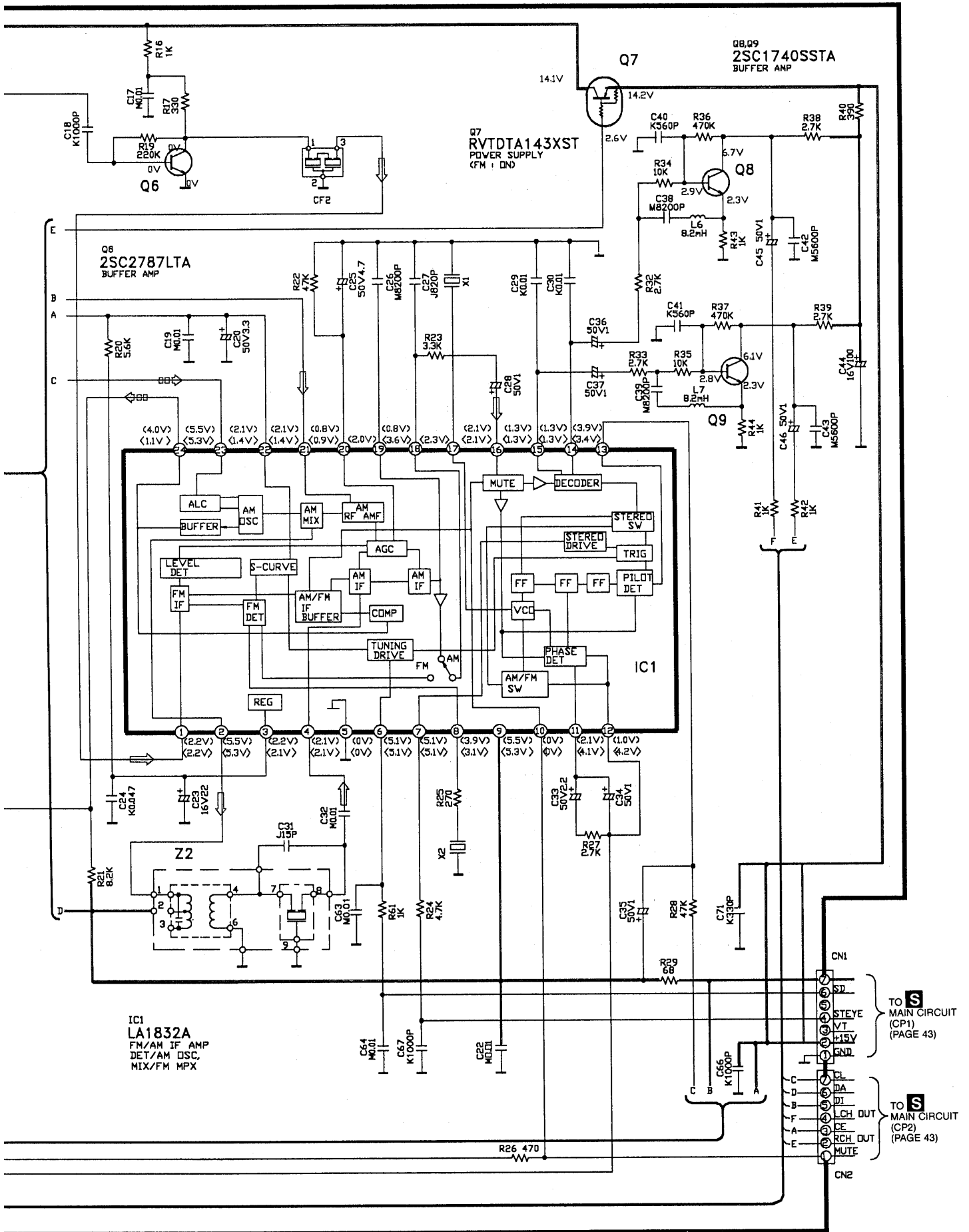


T TUNER PACK CIRCUIT

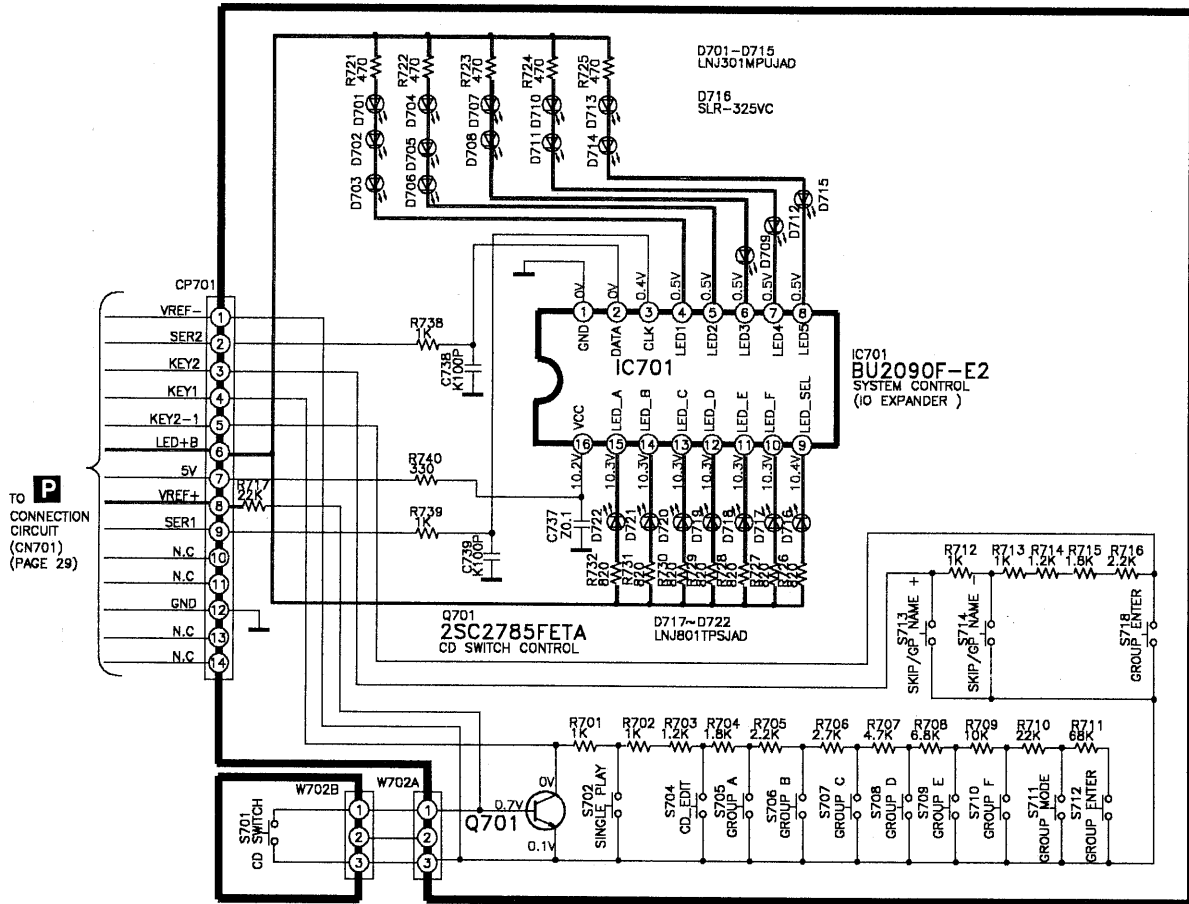


B TUNER CIRCUIT



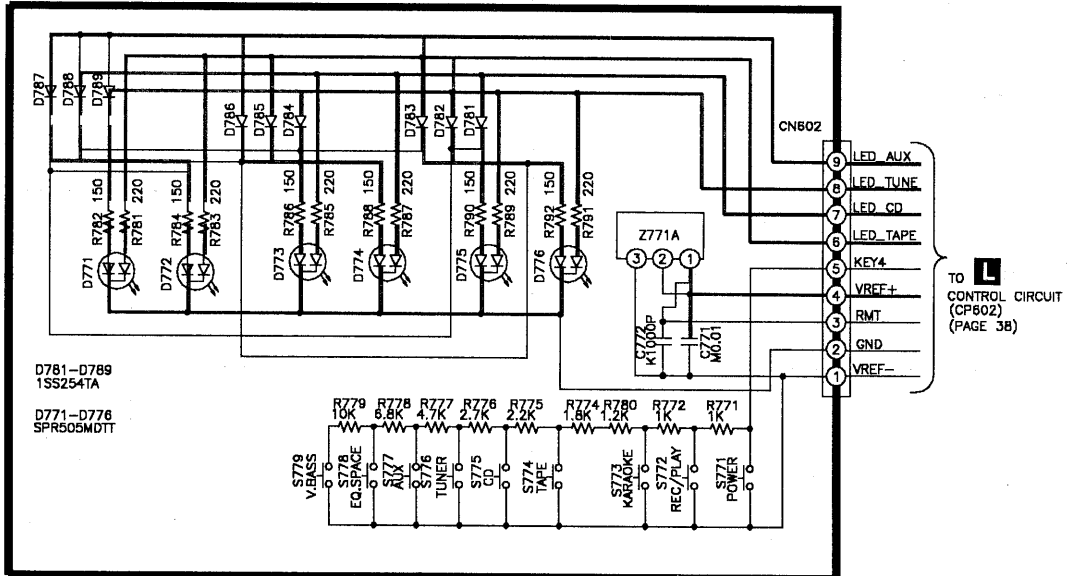


F OPERATION (1) CIRCUIT

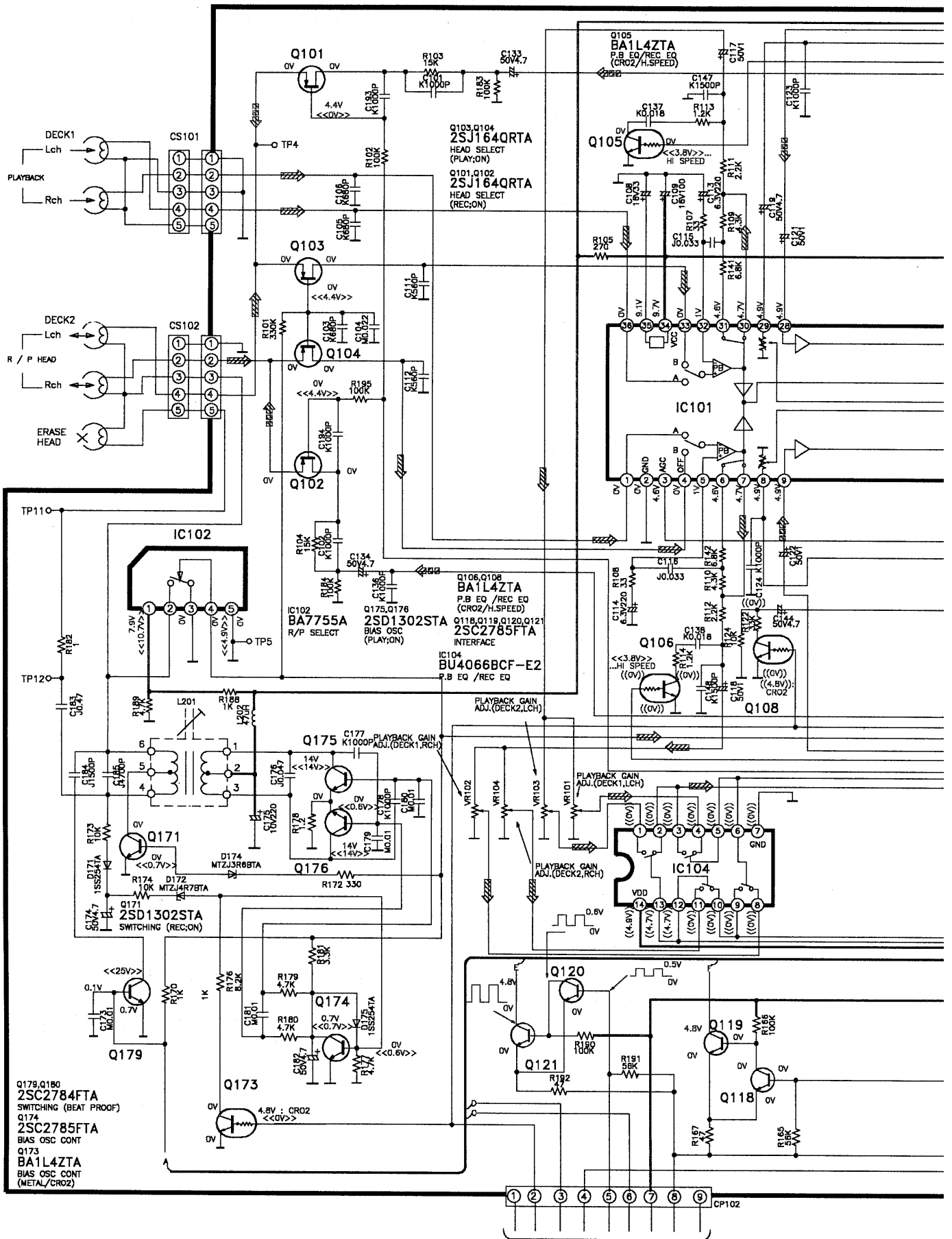


Q CD SWITCH CIRCUIT

H PANEL CIRCUIT

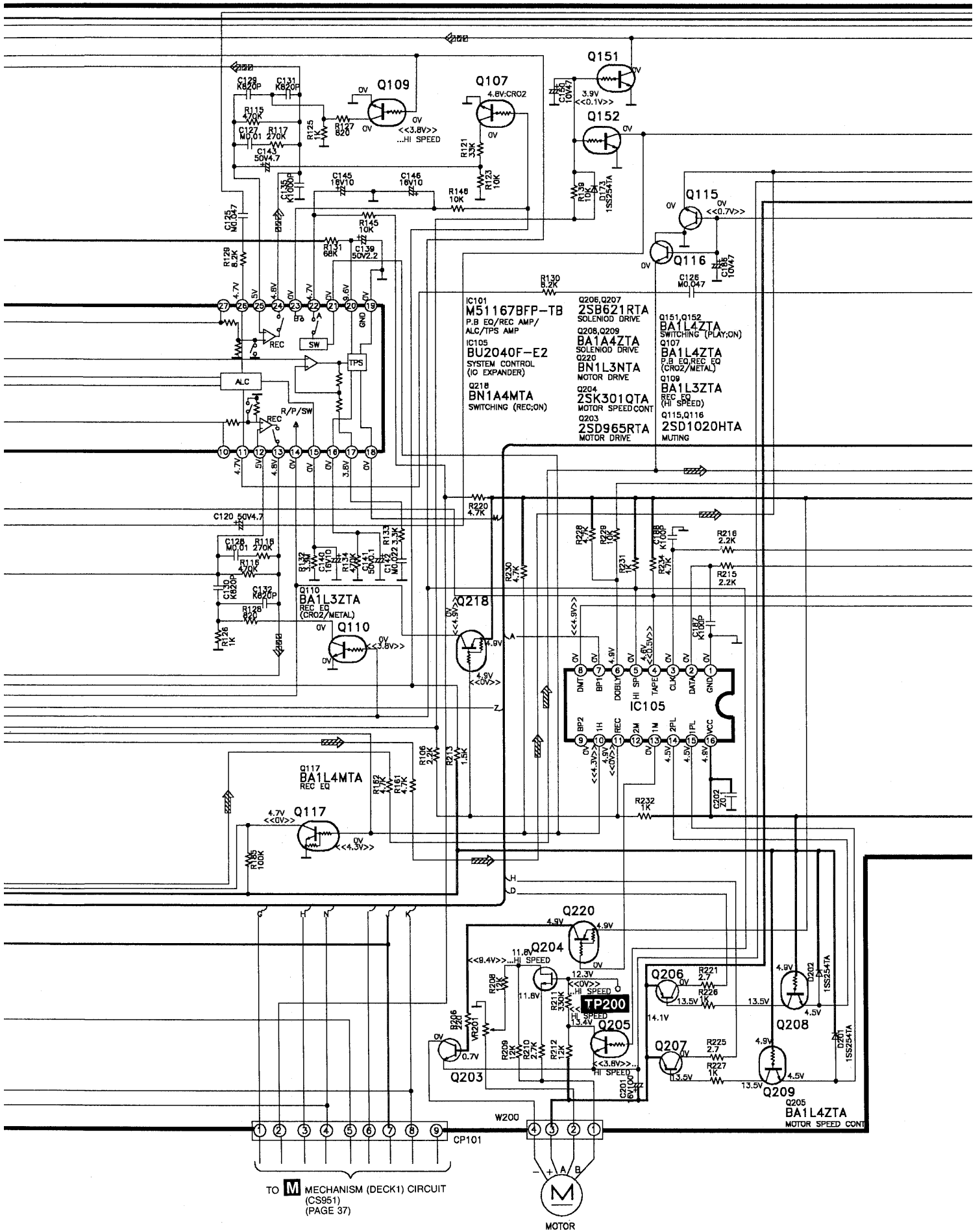


DECK CIRCUIT



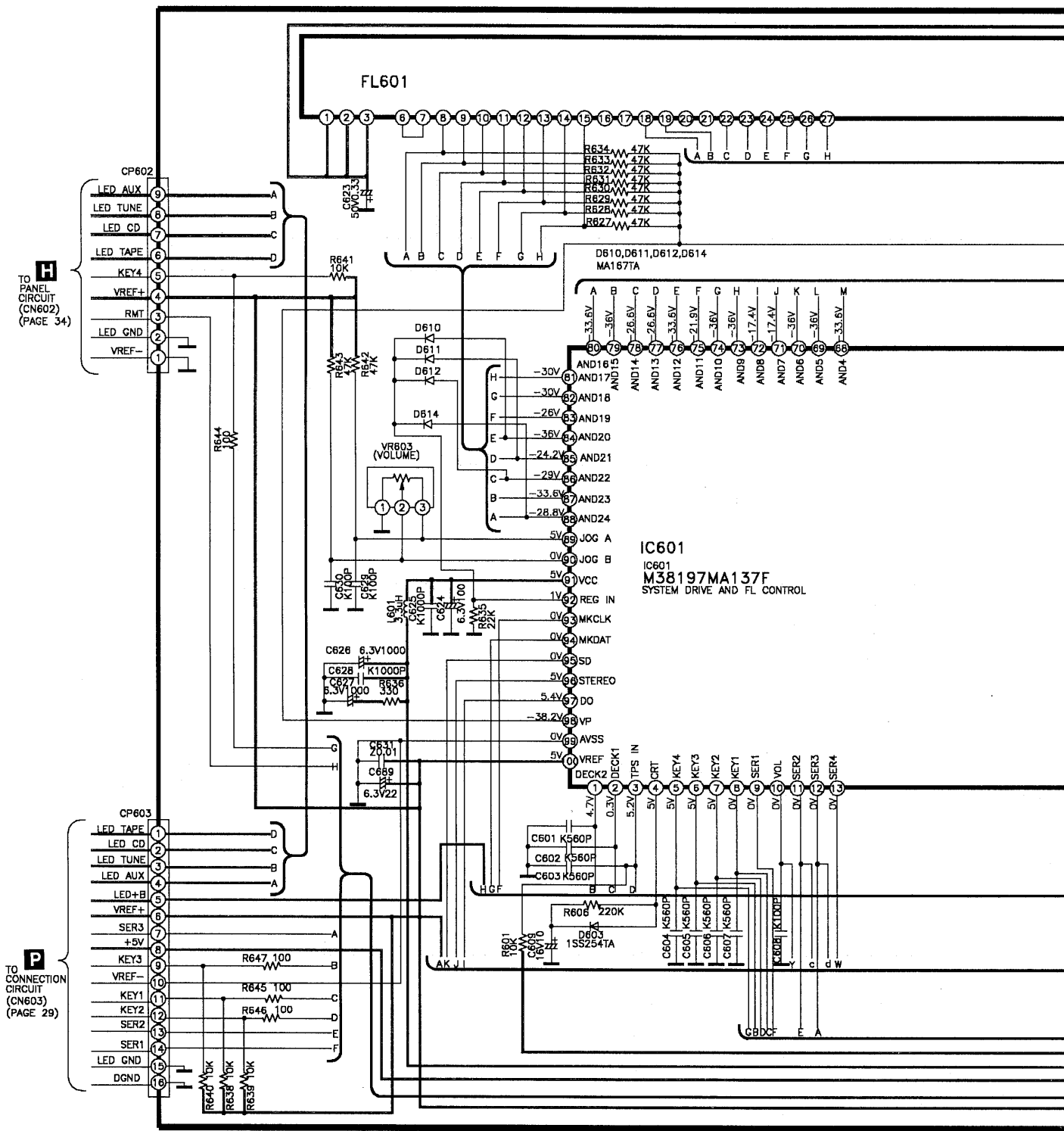
Q179, Q180
2SC2784FTA
SWITCHING (BEAT PROOF)
Q174
2SC2785FTA
BIAS OSC CONT
Q173
BA1L4ZTA
BIAS OSC CONT
(METAL/CRO2)

TO MECHANISM (DECK2) CIRCUIT
(CS971)
(PAGE 37)

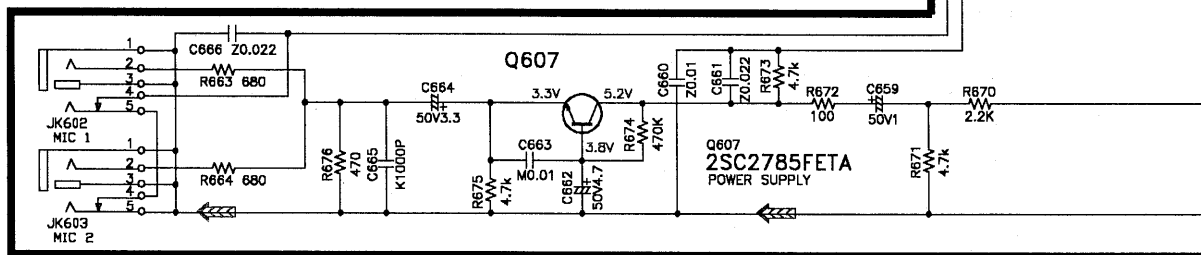


TO MECHANISM (DECK1) CIRCUIT (CS951) (PAGE 37)

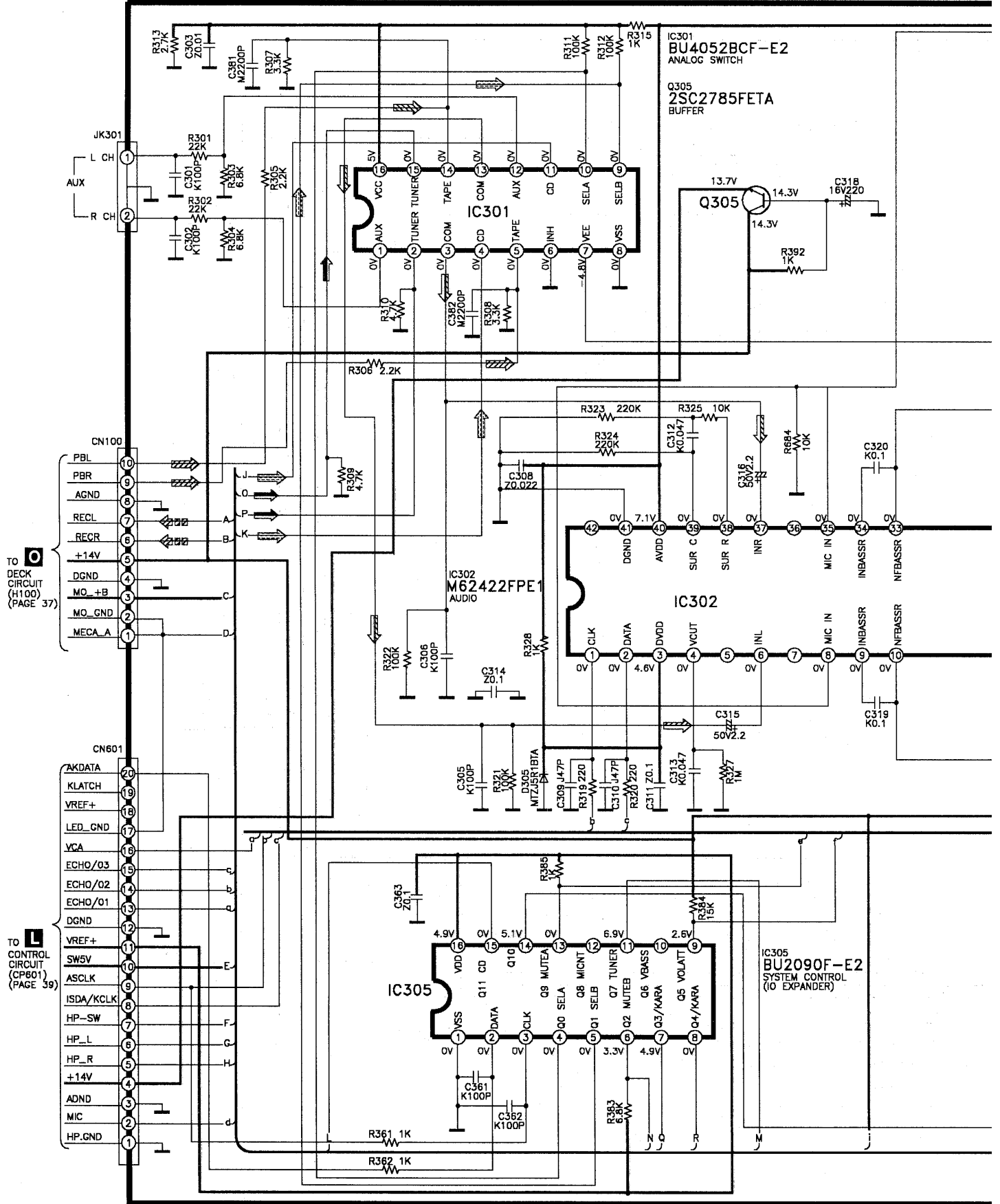
L CONTROL CIRCUIT

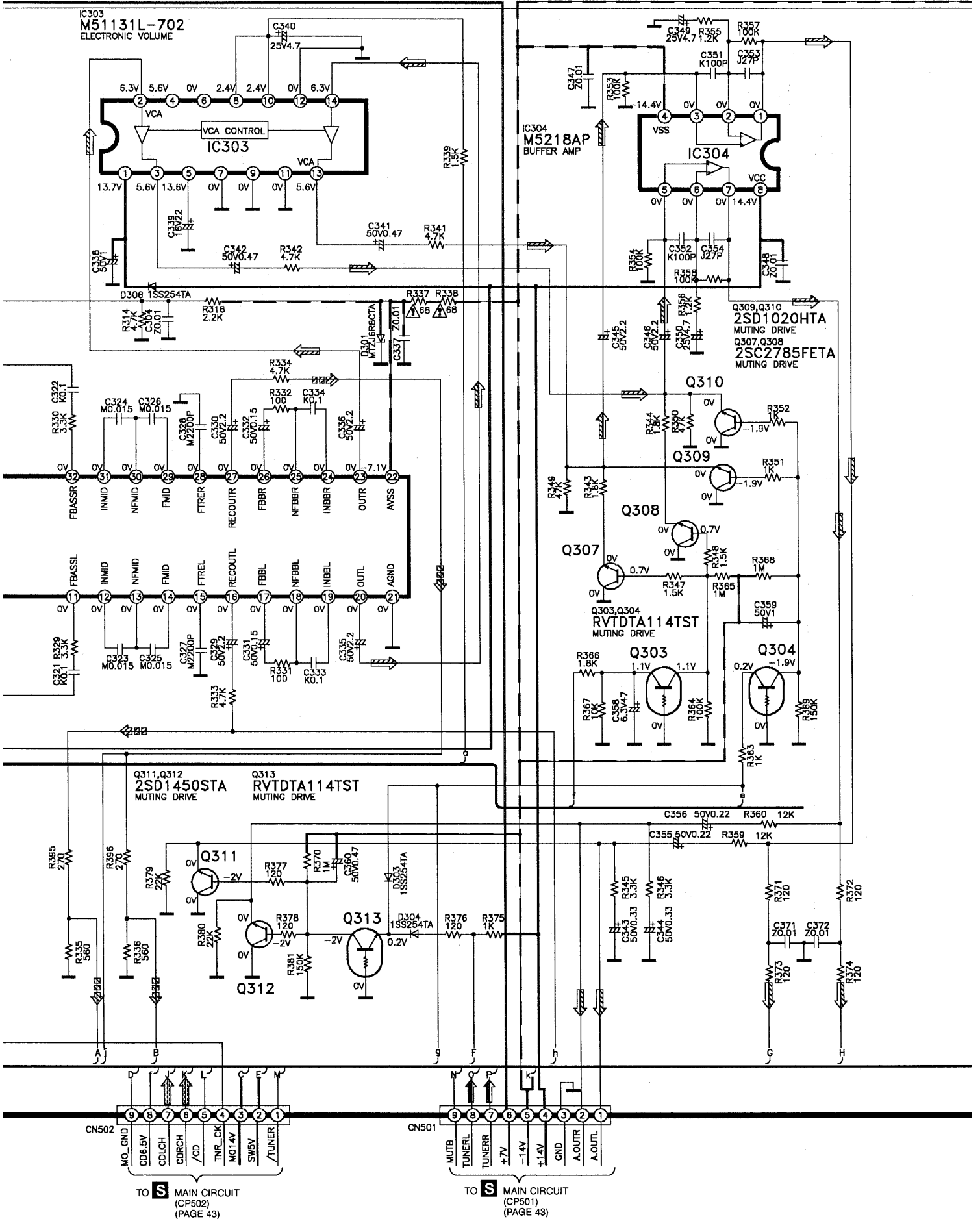


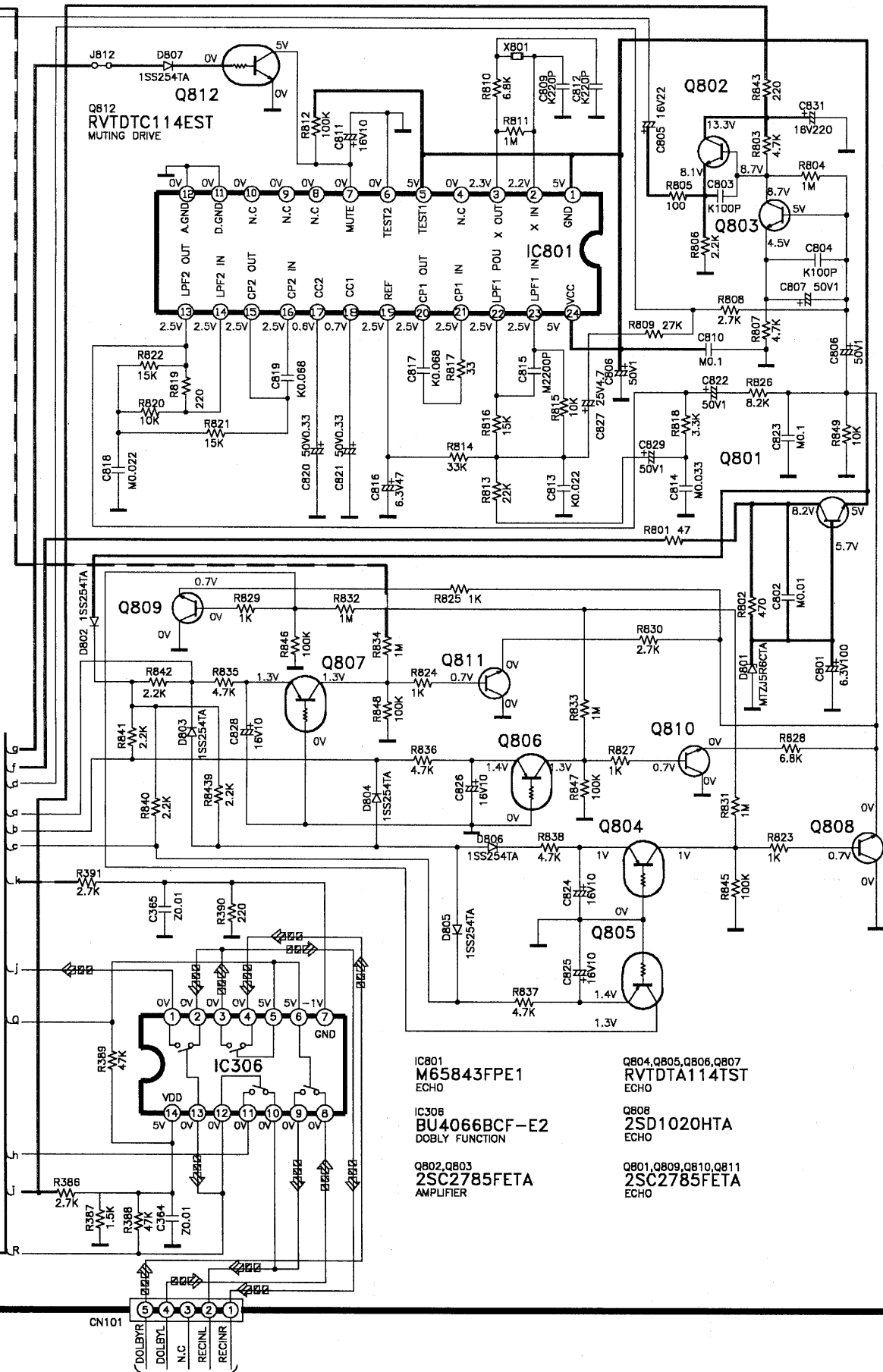
V MIC CIRCUIT



R SUPPORTING CIRCUIT







- IC801
M65843FPE1
ECHO
- IC306
BU4066BCF-E2
DOBLY FUNCTION
- Q802, Q803
2SC2785FETA
AMPLIFIER
- Q804, Q805, Q806, Q807
RVTDTA114TST
ECHO
- Q808
2SD1020HTA
ECHO
- Q801, Q809, Q810, Q811
2SC2785FETA
ECHO

TO DECK CIRCUIT (H101) (PAGE 37)