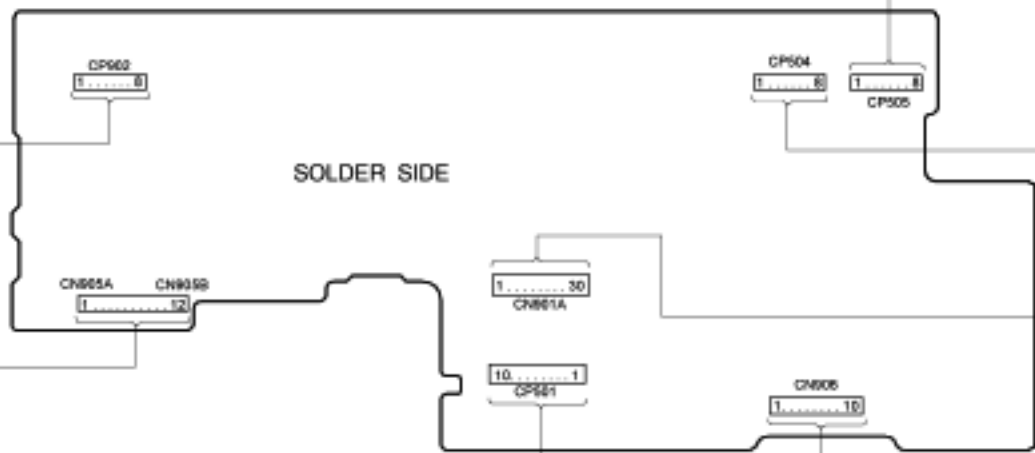
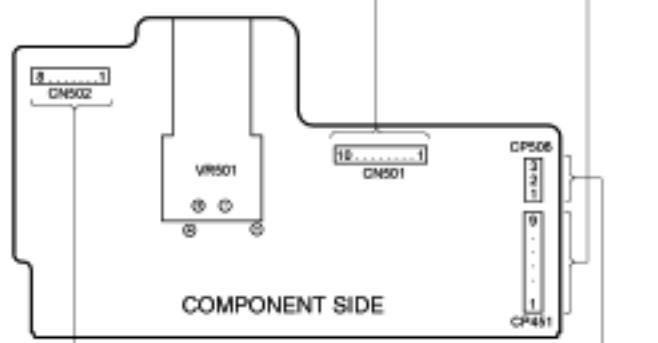
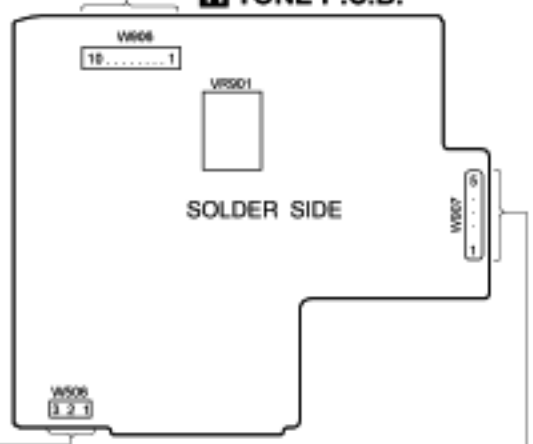
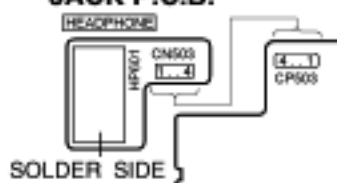
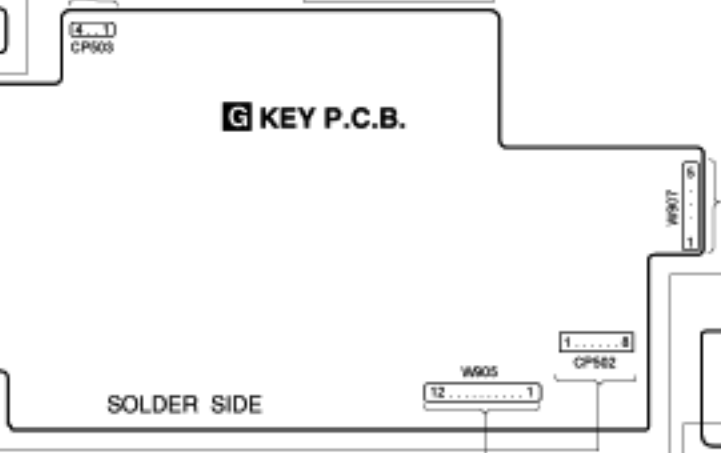
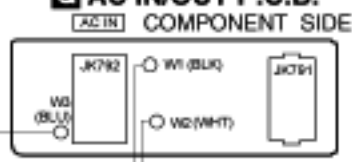
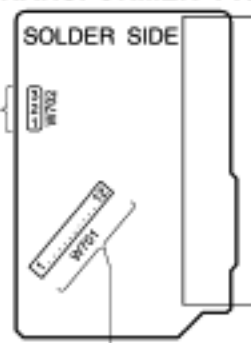
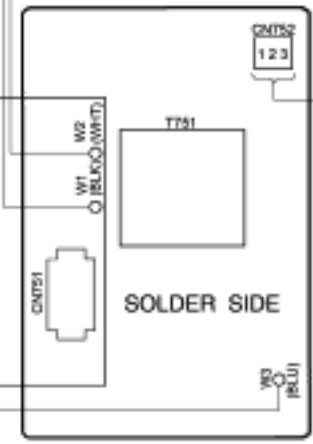


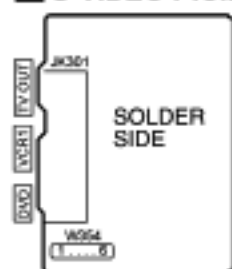
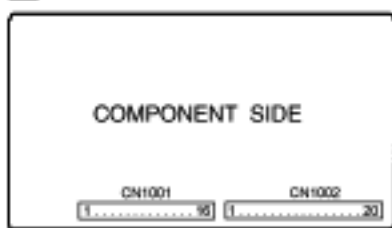
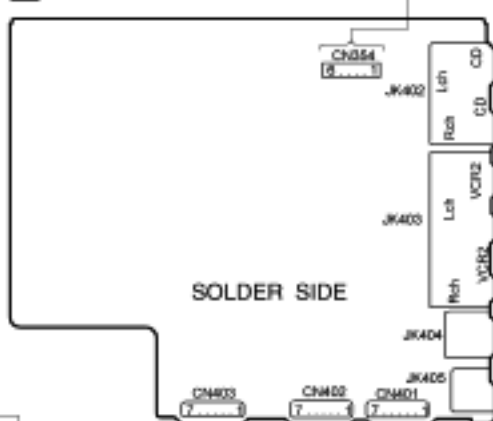
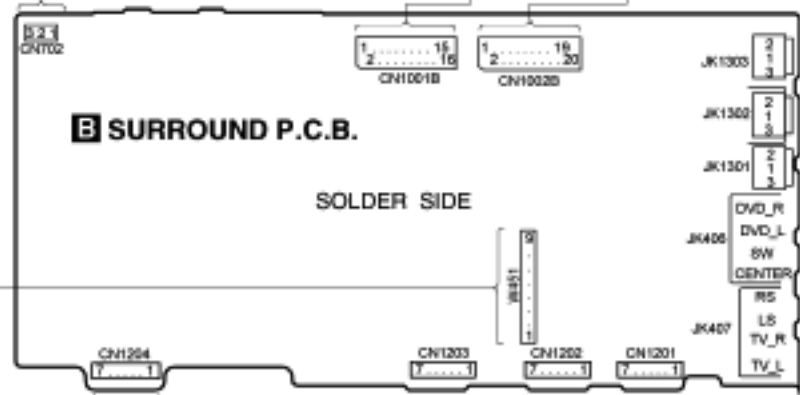
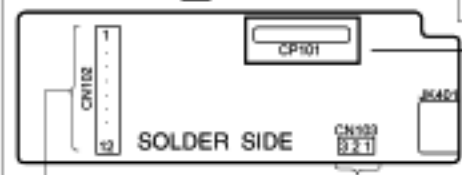
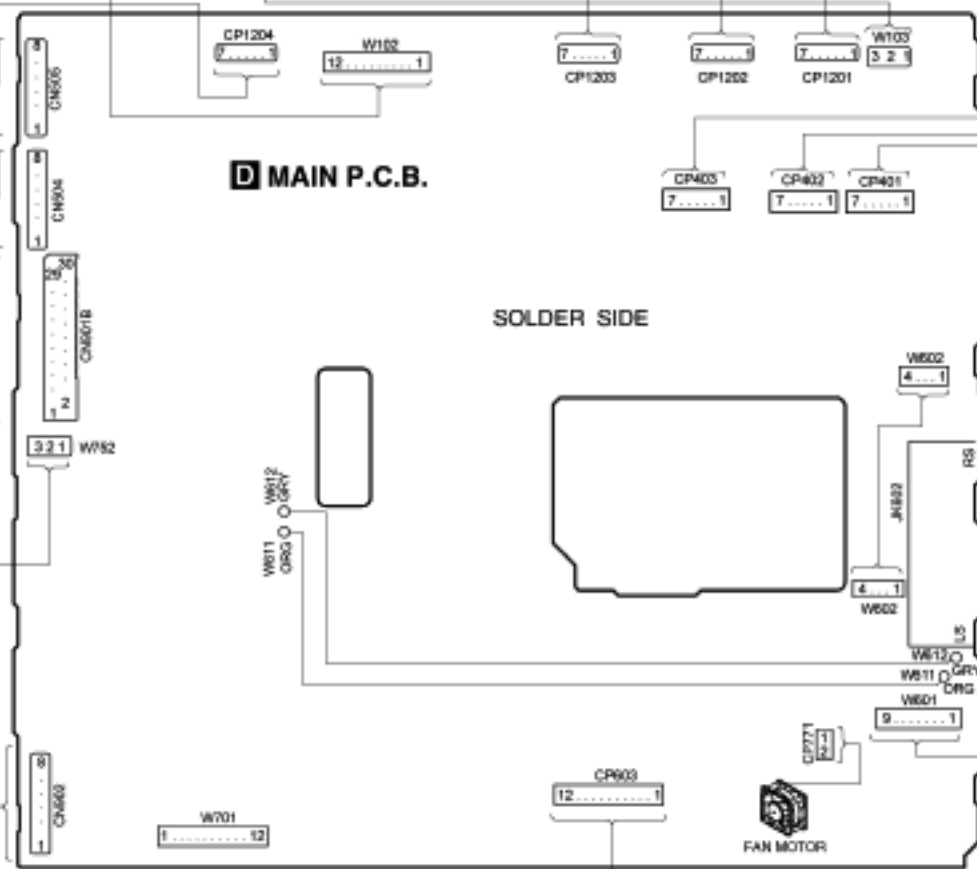
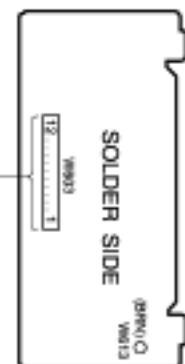
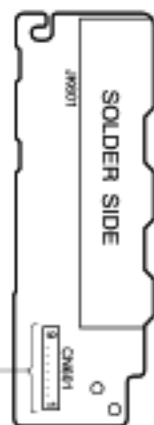


**C PANEL P.C.B.**

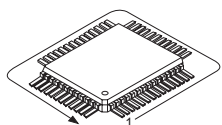
SOLDER SIDE

**I VOLUME P.C.B.****H TONE P.C.B.****J HEADPHONES JACK P.C.B.****G KEY P.C.B.****Q AC IN/OUT P.C.B.****M TRANSFORMER P.C.B.****L POWER P.C.B.**

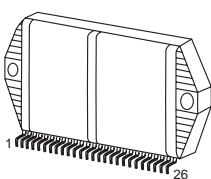
Note:  
 Colour  
 WHT ... WHITE  
 BLK ... BLACK  
 BLU ... BLUE  
 ORG ... ORANGE  
 GRY ... GRAY  
 BRN ... BROWN

**F S-VIDEO P.C.B.****P DTS MODULE P.C.B.****A INPUT SELECTOR P.C.B.****B SURROUND P.C.B.****K PHONO P.C.B.****R TUNER MODULE P.C.B.****D MAIN P.C.B.****N SPEAKER TERMINAL P.C.B.****O POWER AMP P.C.B.**

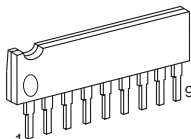
M38B57MCA242 (80p)  
M38B57M6154F (80p)  
CS4226-KQG (44p)



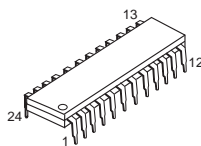
RSN313H25-P



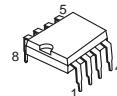
BA6218



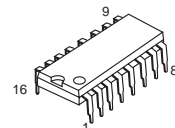
TC9459F



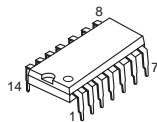
AN6558F  
NJM2115D  
NJM4580DD  
NJM4580EDTE 1



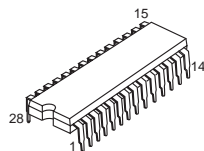
BU2090A  
NJM2296D



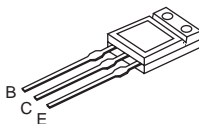
NJM2279D



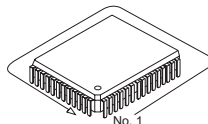
TC9162AN  
TC9163AN



PQ30RV11



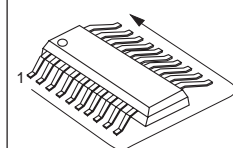
CS49326-CLR



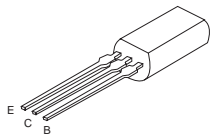
SNAHC1U04DBV



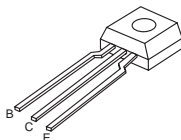
SN74LV244APW (20p)  
SN74HCT244PW (20p)  
SN74HCU04APW (8p)



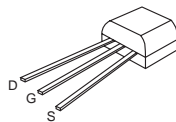
2SA1534AQRTA  
2SC3940AQSTA



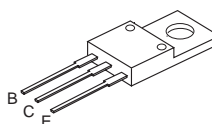
2SD1915FTA



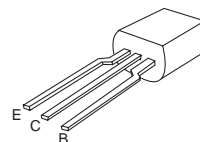
2SK2880CTA



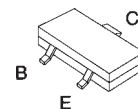
2SB1548PQAU  
2SD2374PQAU



2SB621AQSTA  
2SC1845FTA

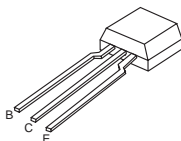


DTA114YETL

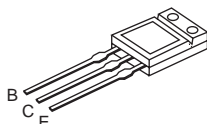


2SA933SSTA  
2SC1740SSTA  
RVTDTA113ZST  
RVTDTA113ZST  
RVTDTA114EST  
RVTDTA114EST  
RVTDTA114YST  
RVTDTA114YST

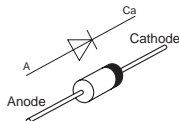
RVTDTA143XST



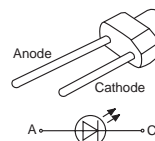
2SD2137PQTA



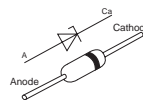
1N5402BM21  
RK306LFU1



SLR325MCT31  
SLR325YCT31  
SLR325VCT31

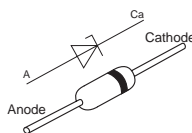


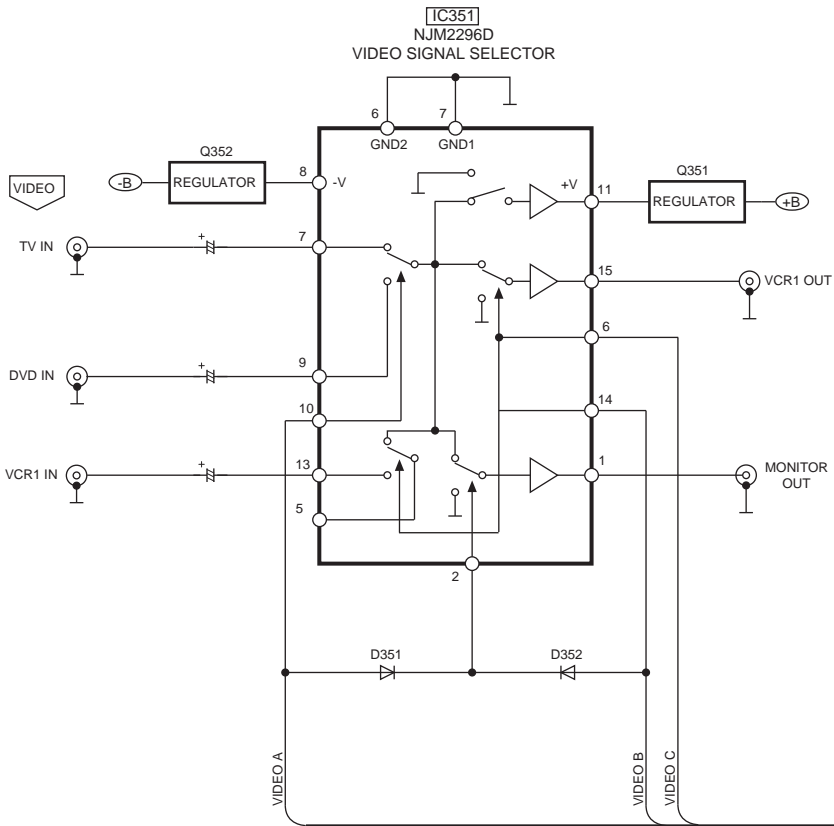
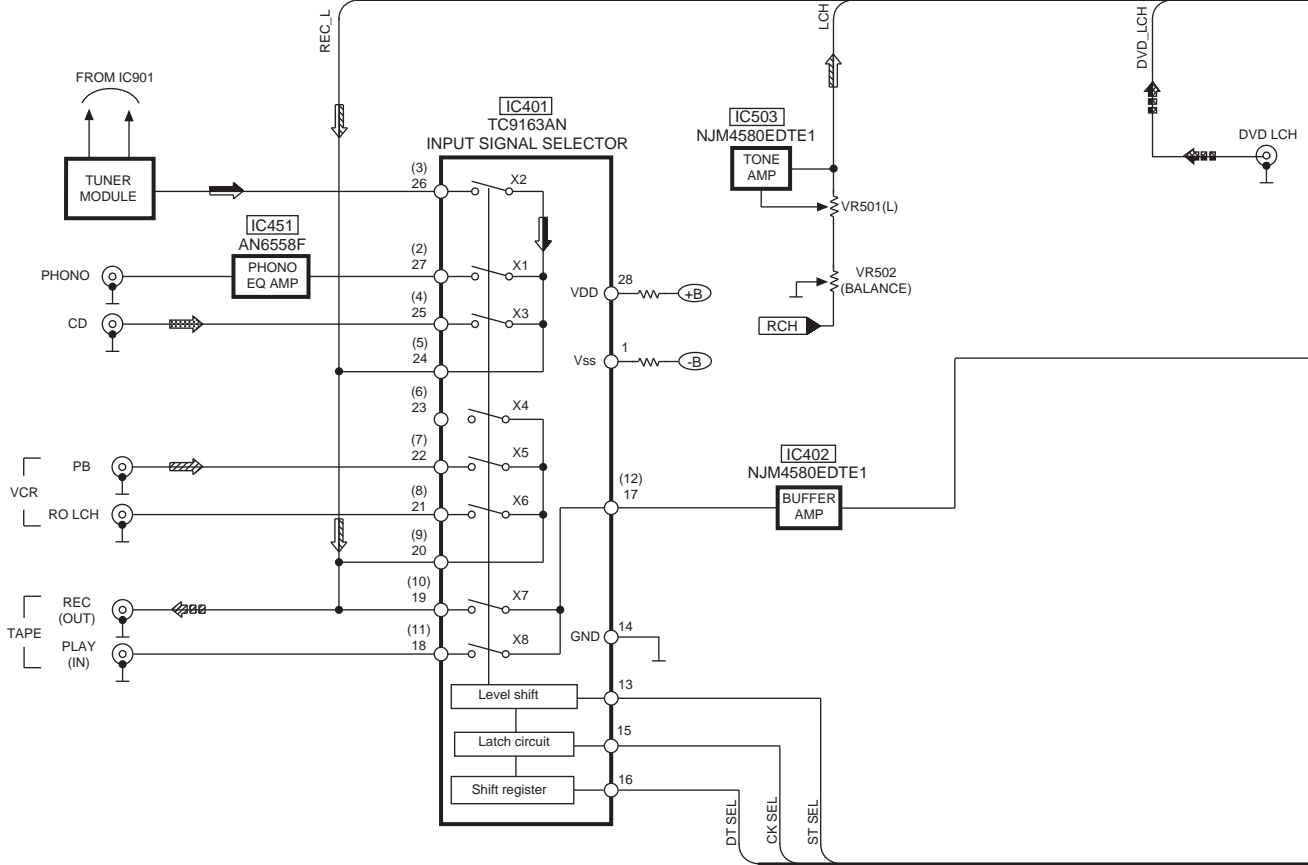
RB721Q40T77

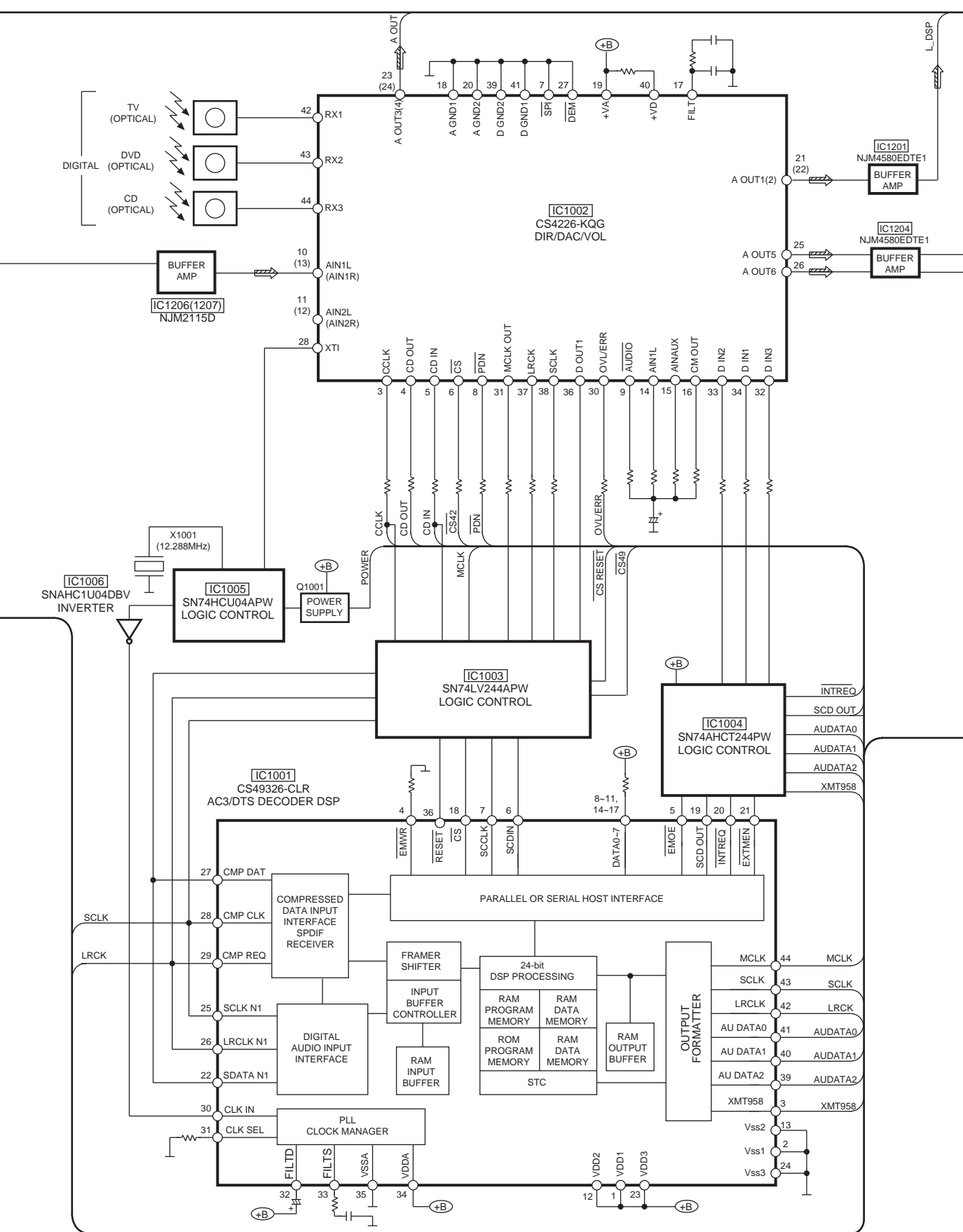


MTZJ10CTA  
MTZJ16CTA  
MTZJ27DTA  
MTZJ30BTA  
MTZJ3R3ATA  
MTZJ3R9ATA  
MTZJ5R1BTA  
MTZJ5R6BTA

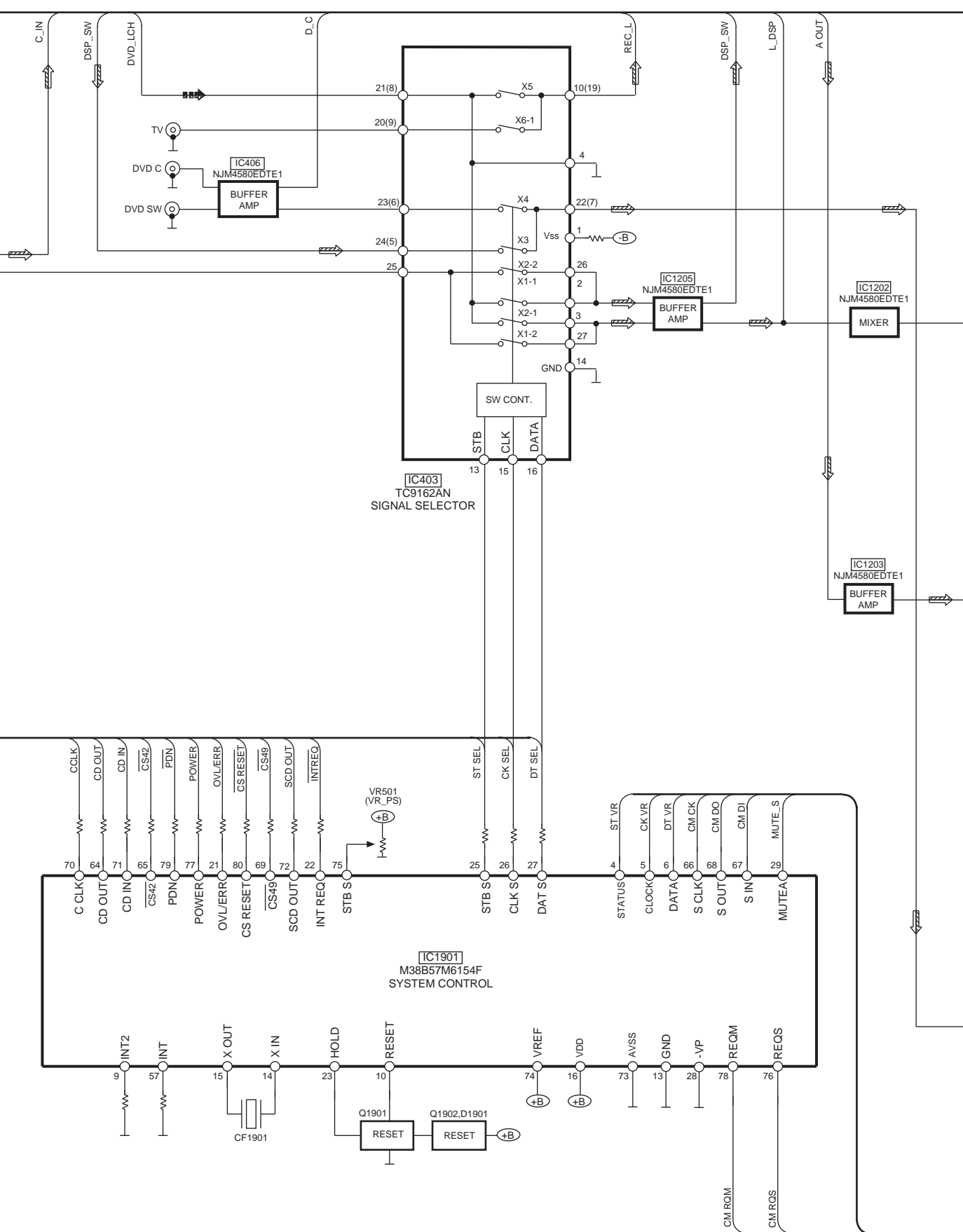
MTZJ6R2BTA  
MTZJ6R2CTA  
MTZJ6R8BTA  
MTZJ7R5CTA  
MTZJ8R2CTA  
1SS291TA  
RVD1SS133TA  
1SR35400V

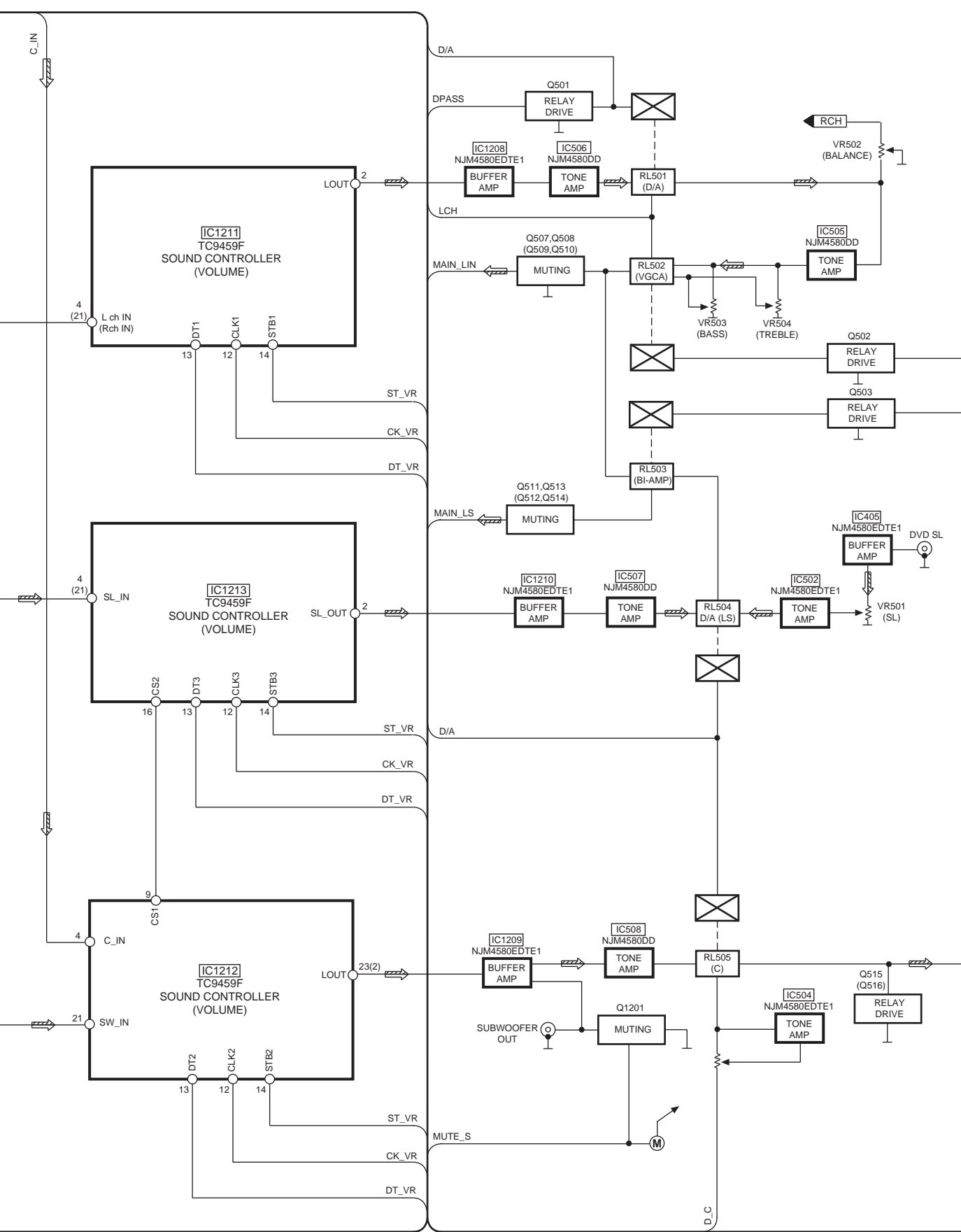


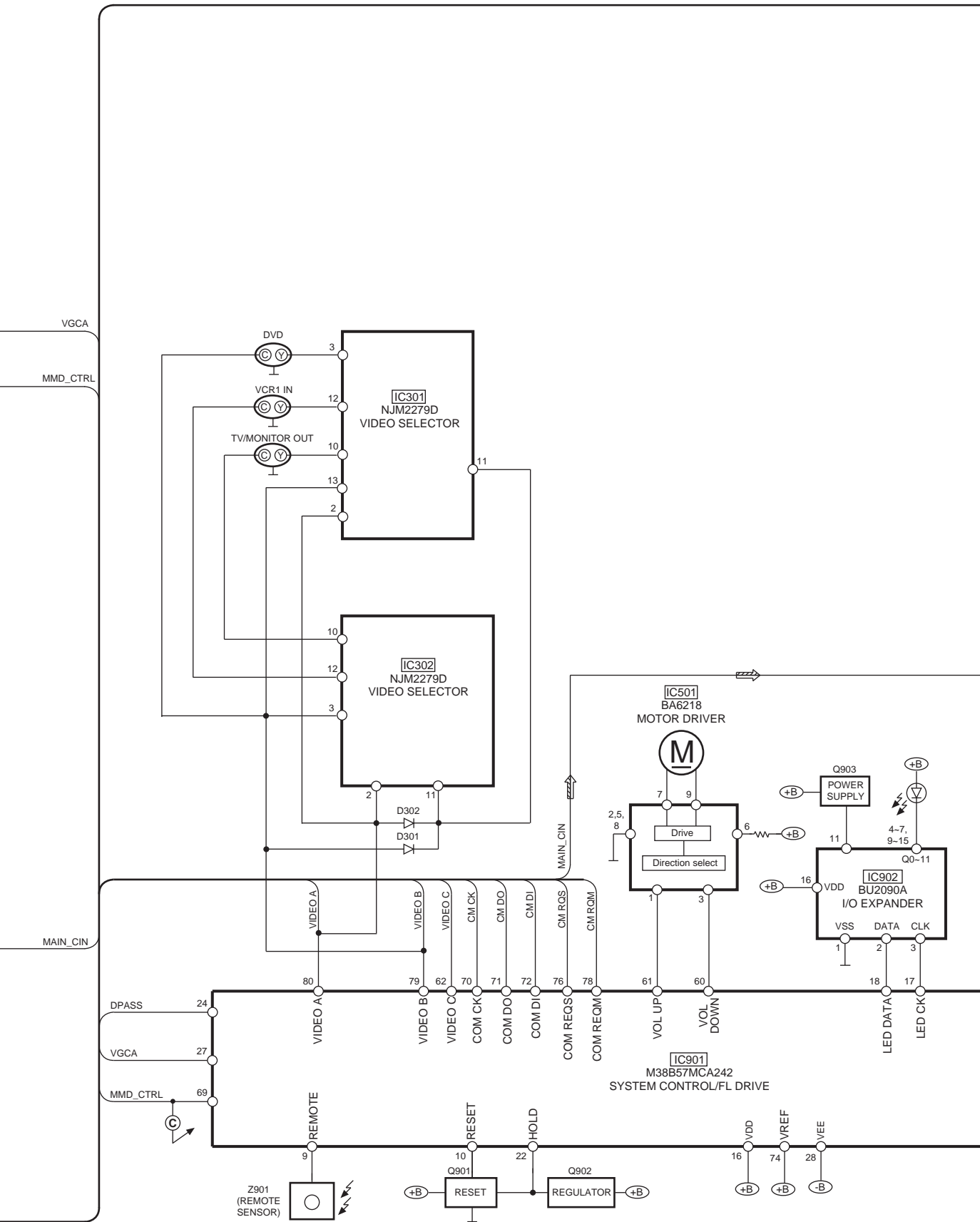


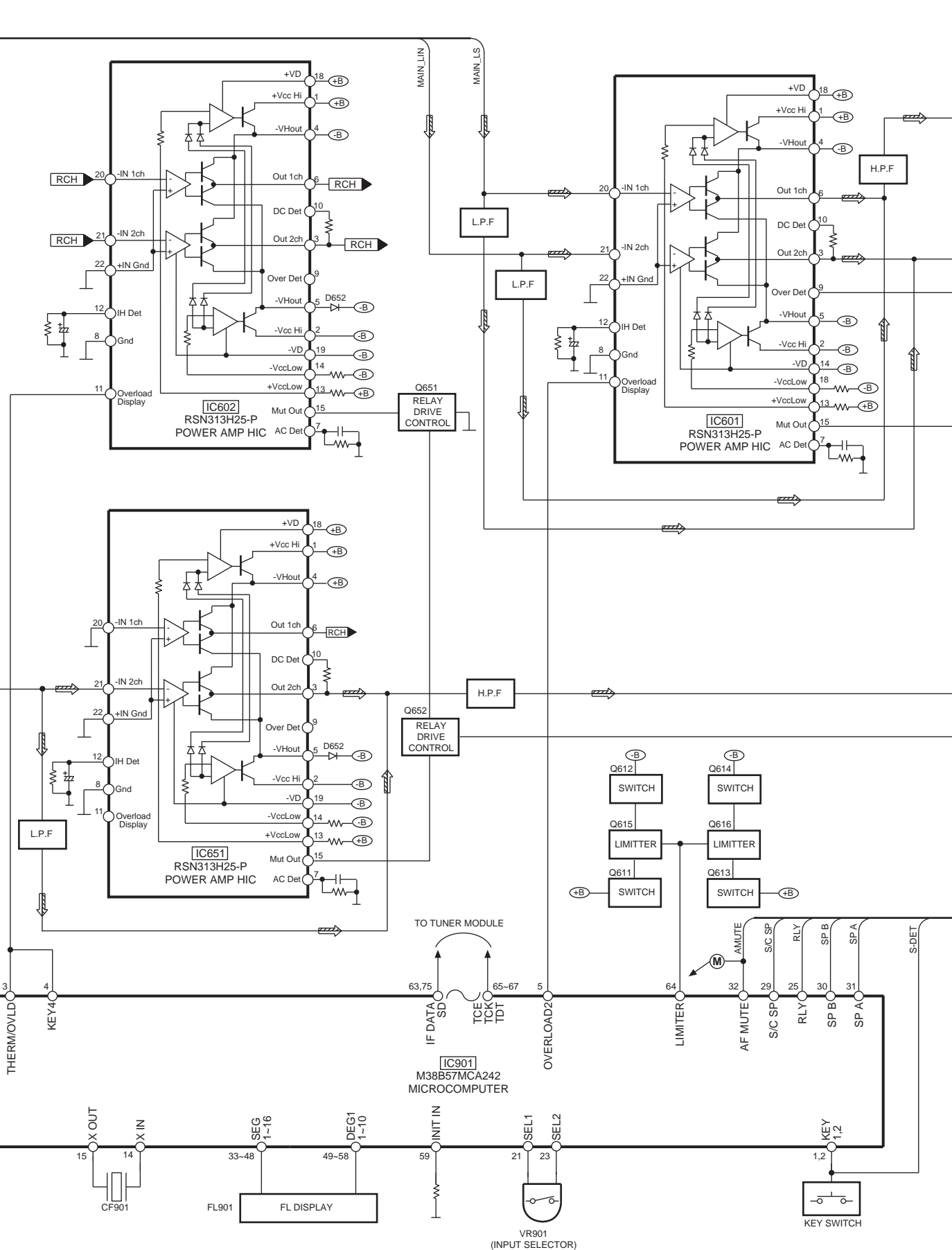


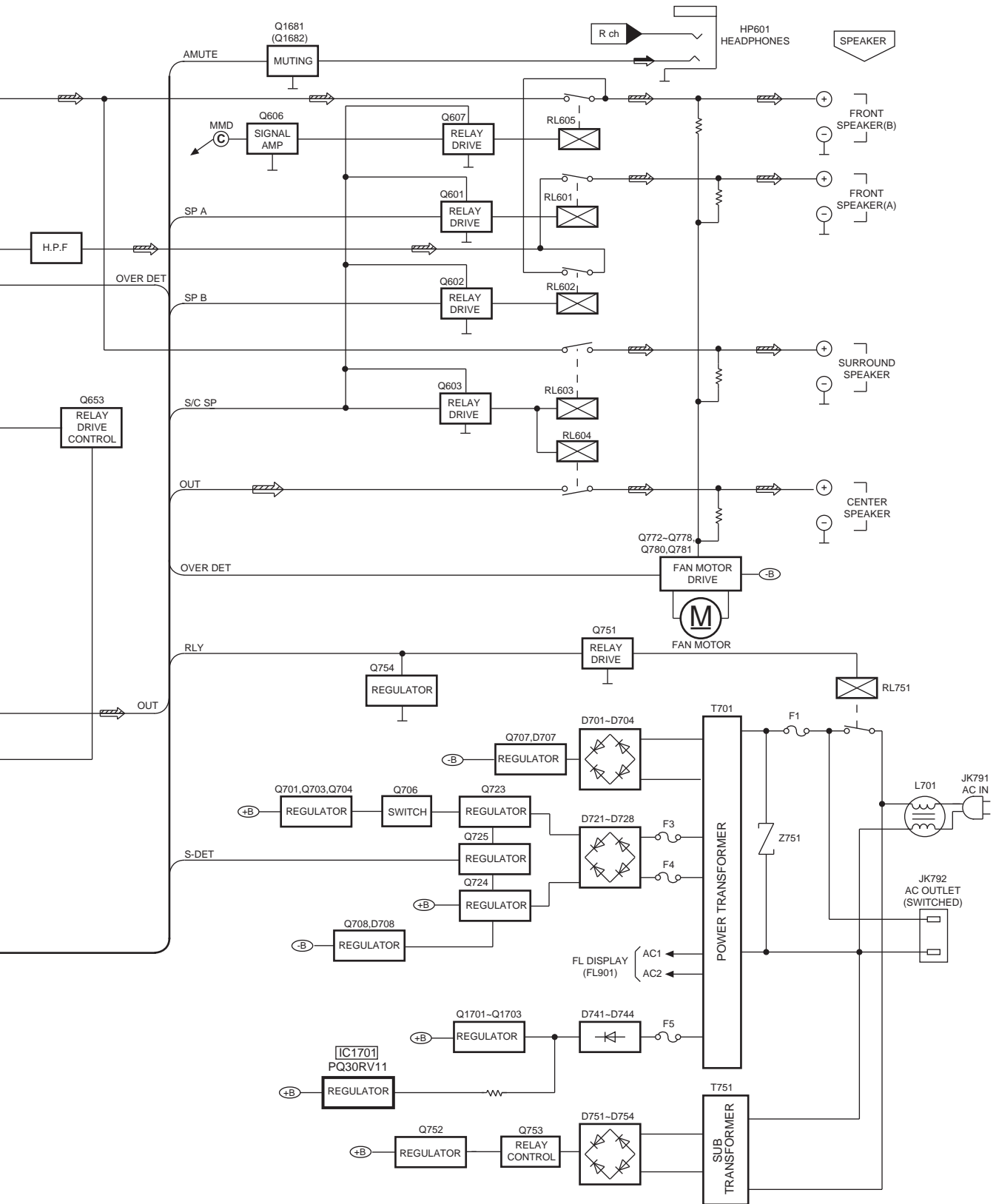












**SIGNAL LINES**

( ) indicates Pin No. of right channel.		

A

B

C

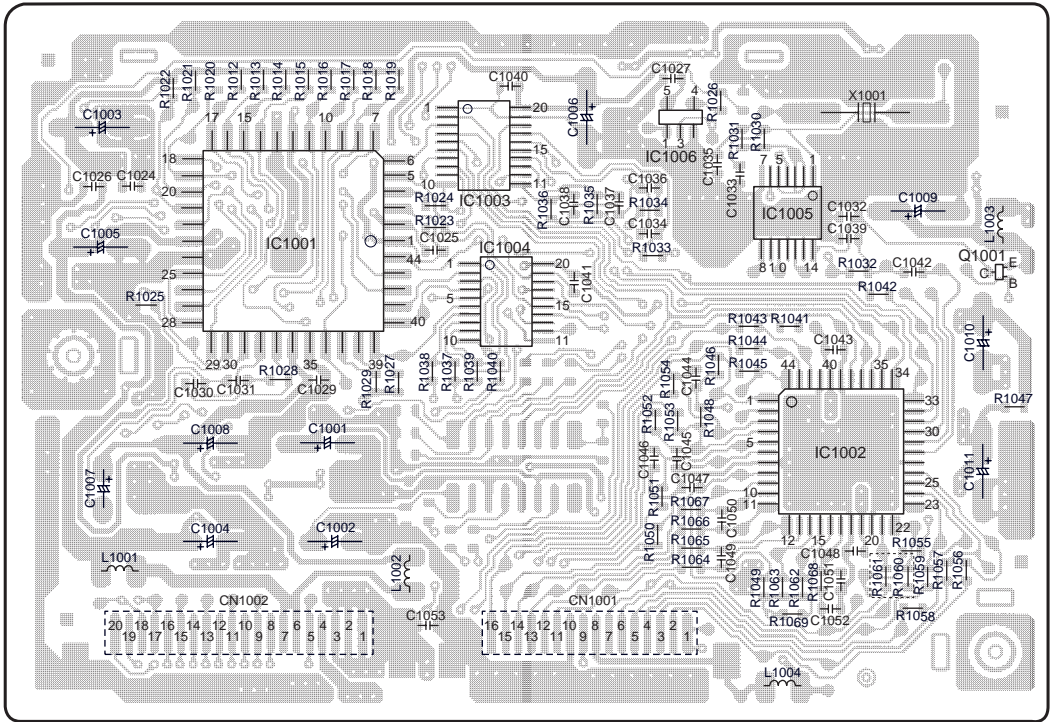
D

E

F

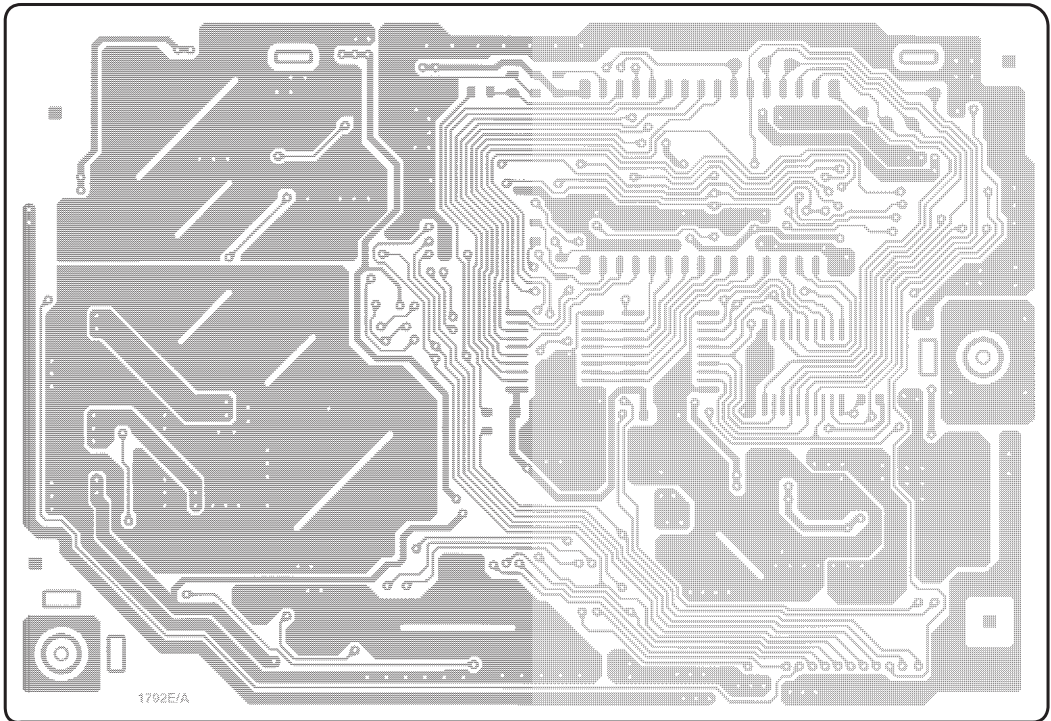
G

# P DTS MODULE P.C.B (REP2703D-T)



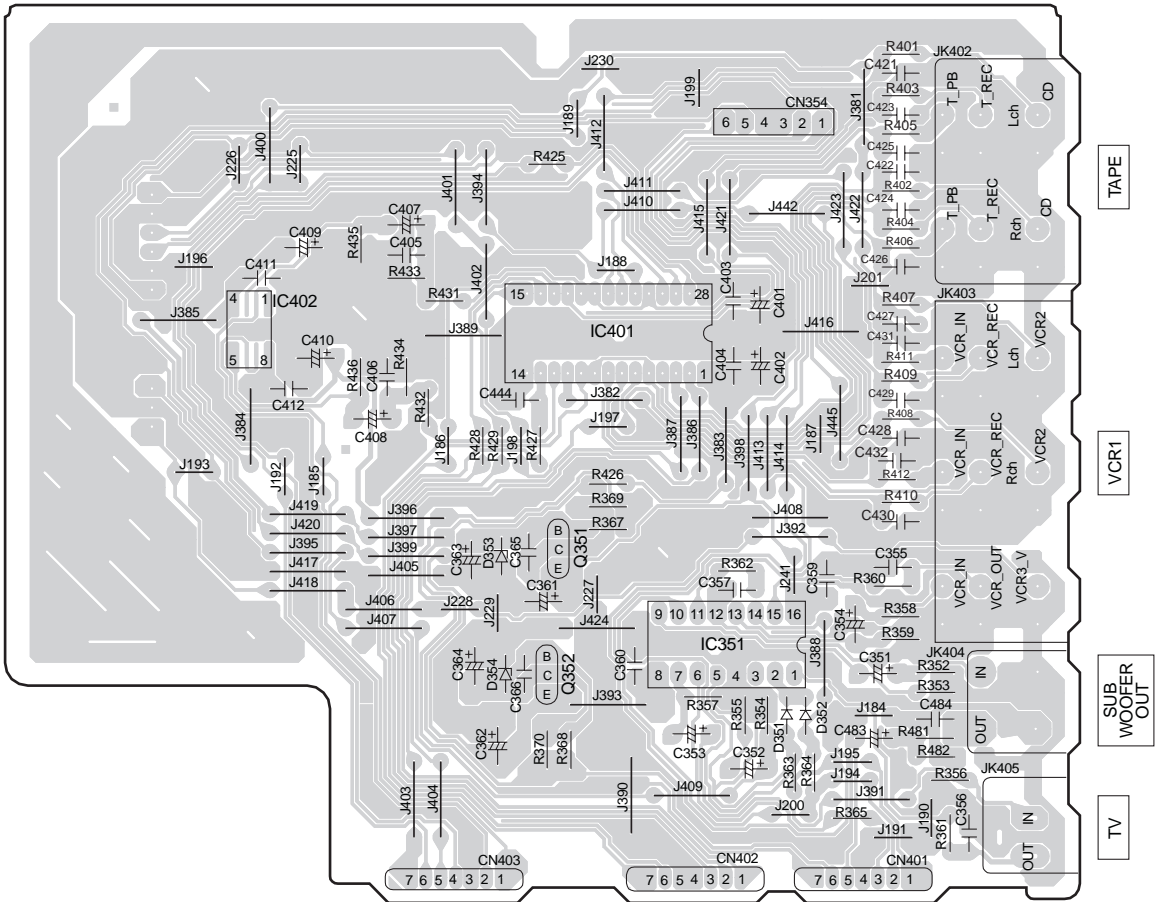
(SIDE: A)

# P DTS MODULE P.C.B (REP2703D-T)



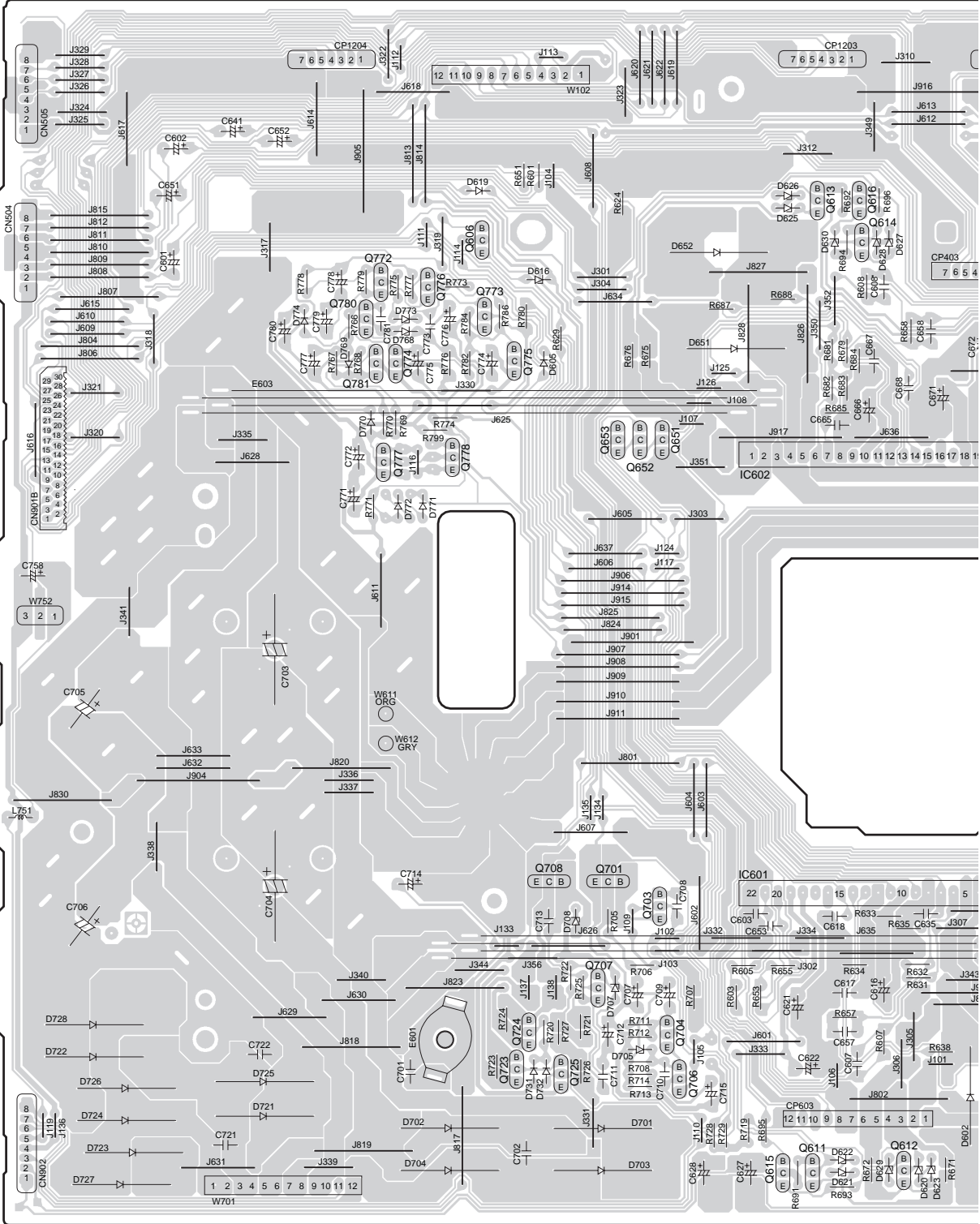
(SIDE: B)

**A** INPUT SELECTOR P.C.B. (REP3021C-P)





**D** MAIN P.C.B. (REP3019B-M)





G

H

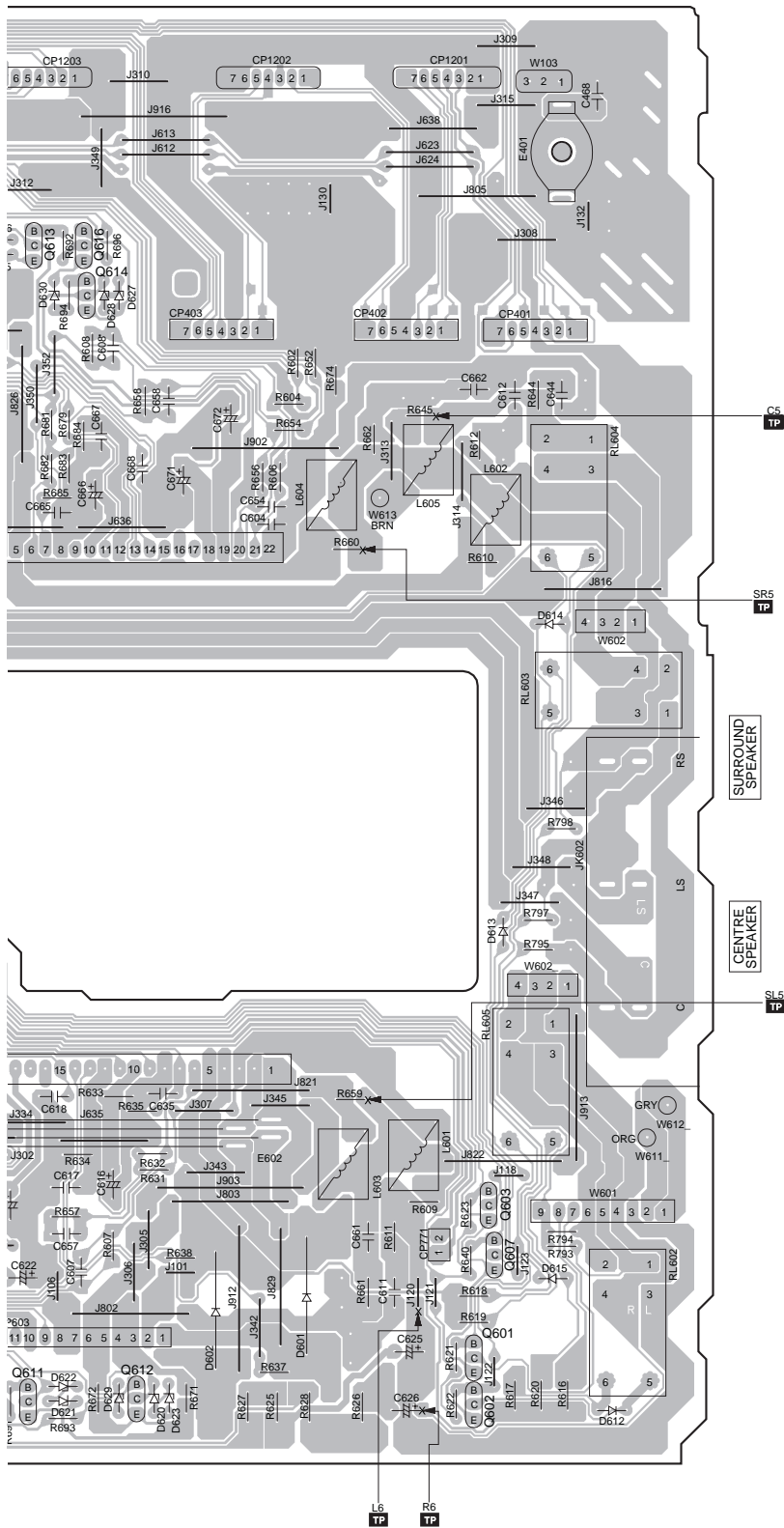
I

J

K

L

M





G

H

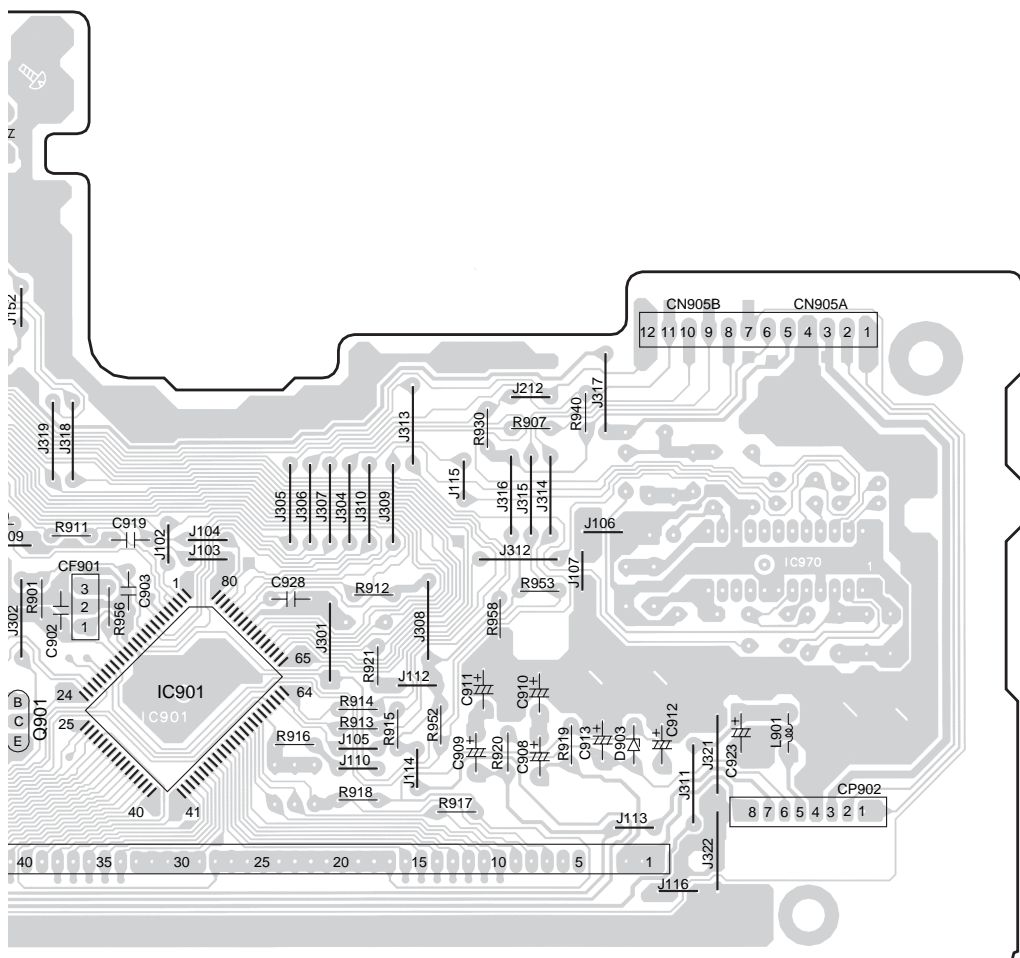
I

J

K

L

M





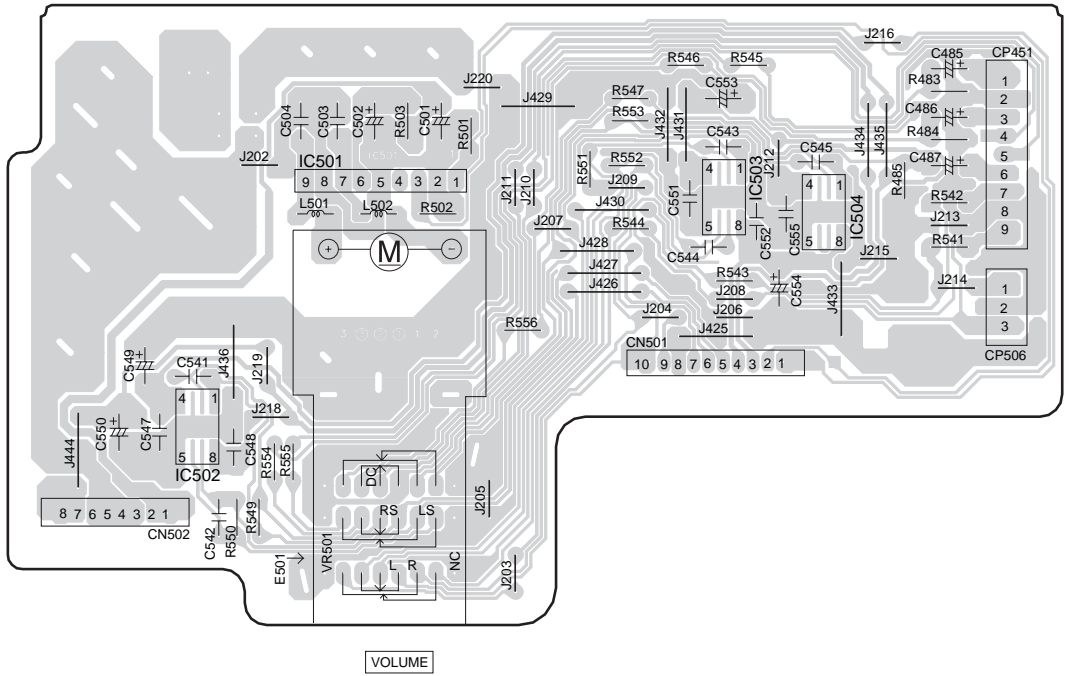




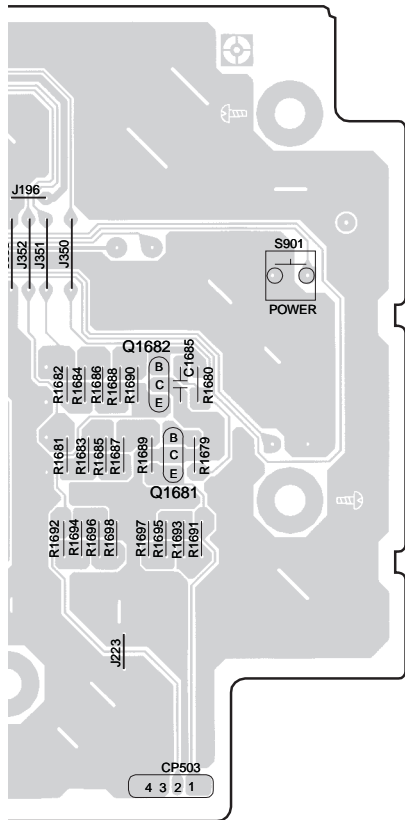




# I VOLUME P.C.B. (REP3021C-P)

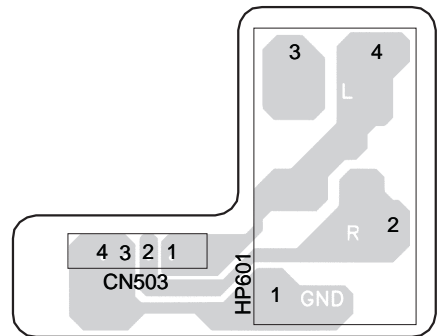


VOLUME



# J HEADPHONES P.C.B. (REP3020C-S)

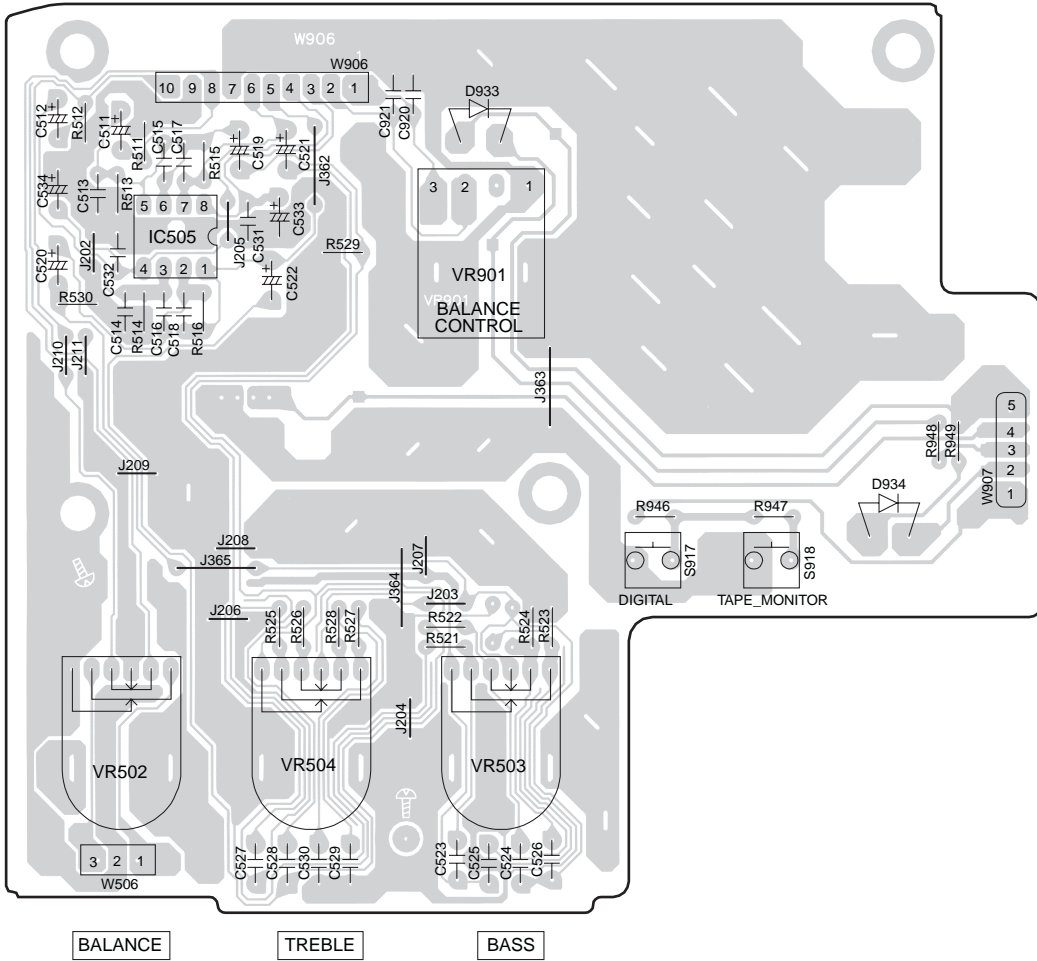
SEMICONDUCTOR LOCATION			
REF. NO.	LOC. NO.	REF. NO.	LOC. NO.
D935	B7	S905	F8
D936	B7	S906	E8
D937	C6	S907	D8
IC902	C7	S908	E8
Q1681	G7	S909	D9
Q1682	G7	S911	E6
S901	H6	S912	D6
S902	E6	S913	C7
S903	F9	S914	C7
S904	E9	Z901	D8



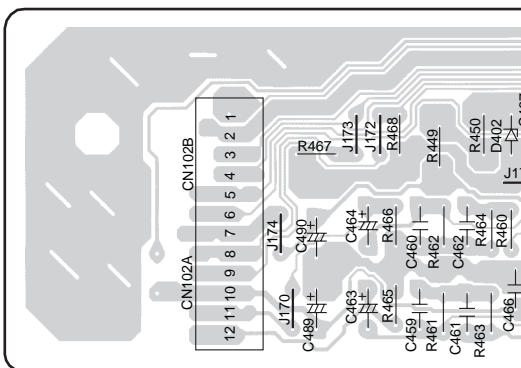
HEADPHONES



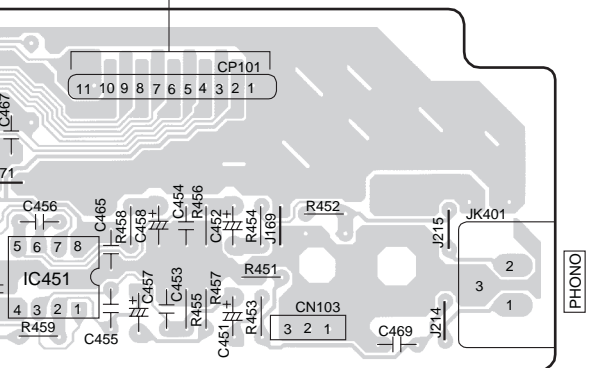
**H** TONE P.C.B. (REP3020C-S)



**K** PHONO P.C.B. (REP3020C-S)



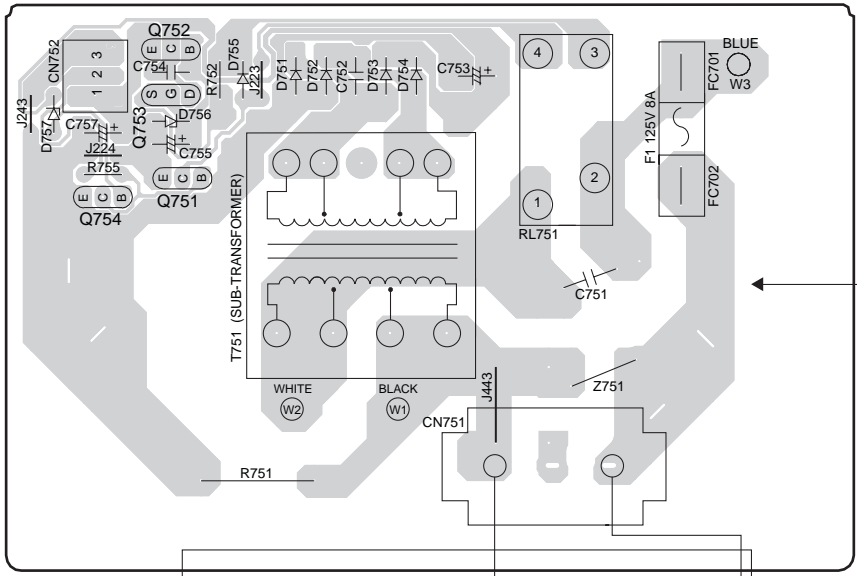
**R** TUNER MODULE P.C.B. (RAN0001MM)



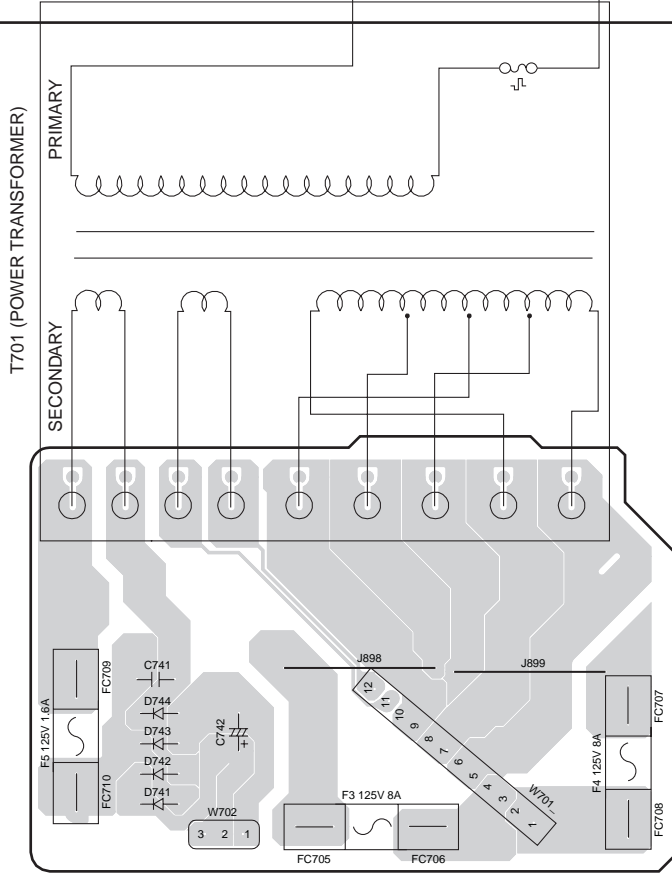
A B C D E F G

1  
2  
3  
4  
5  
6  
7  
8  
9

**L** POWER P.C.B. (REP3021C-P)



CAUTION  
RISK ELECTRIC SHOCK  
AC VOLTAGE LINE. PLEASE DO NOT  
TOUCH THIS P.C.B.

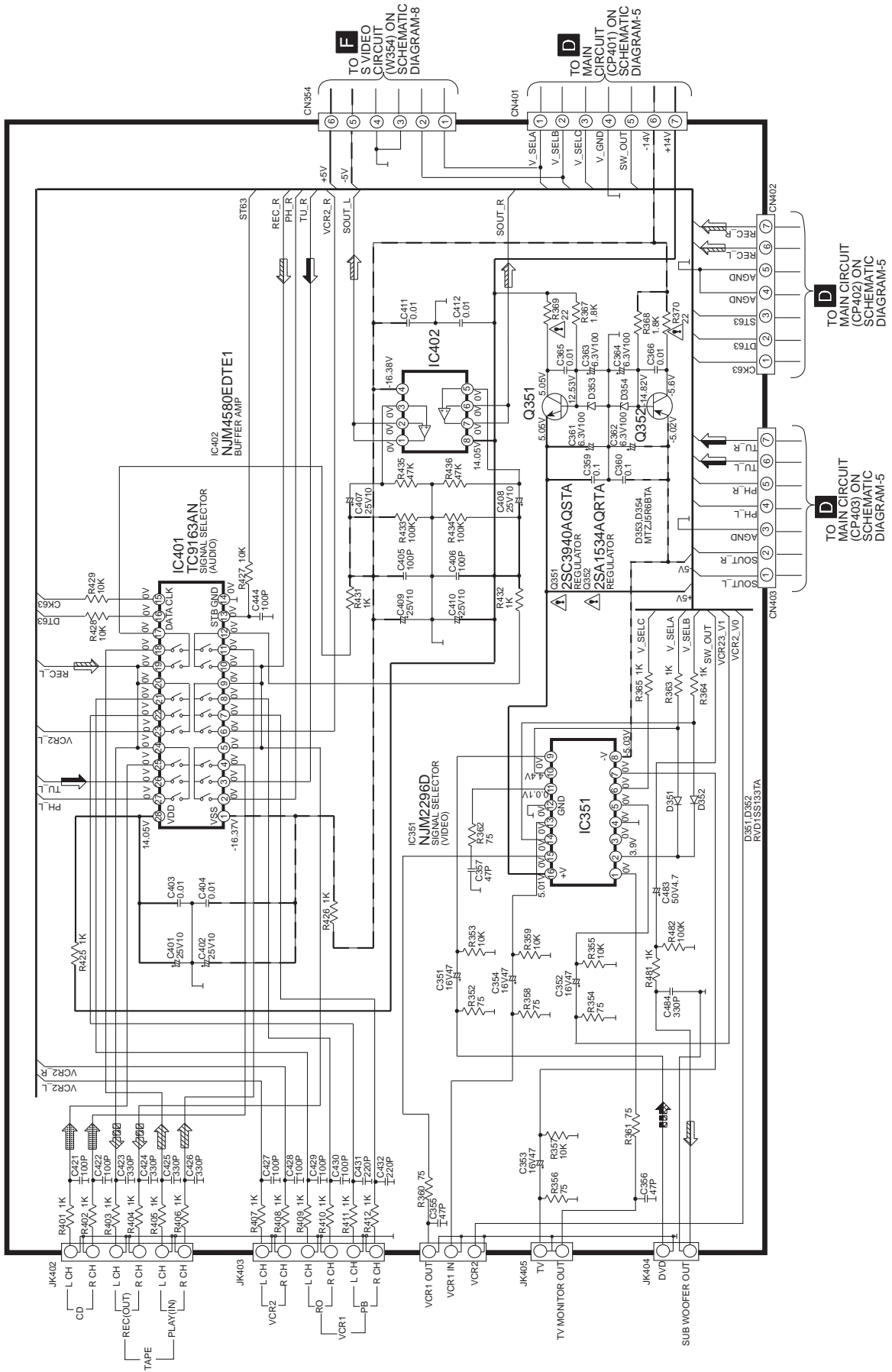


**M** TRANSFORMER P.C.B. (REP3019B-M)

# SCHEMATIC DIAGRAM - 1

## A INPUT SELECTOR CIRCUIT

- : + B SIGNAL LINE
- : - B SIGNAL LINE
- : MAIN SIGNAL LINE
- ⇄ : CD SIGNAL LINE
- ↔ : RECORD SIGNAL LINE
- ↔ : DVD VIDEO SIGNAL LINE
- ↔ : FM/AM SIGNAL LINE
- ↔ : PLAYBACK SIGNAL LINE



**F**  
TO VIDEO  
CIRCUIT  
(W954) ON  
SCHEMATIC  
DIAGRAM-5

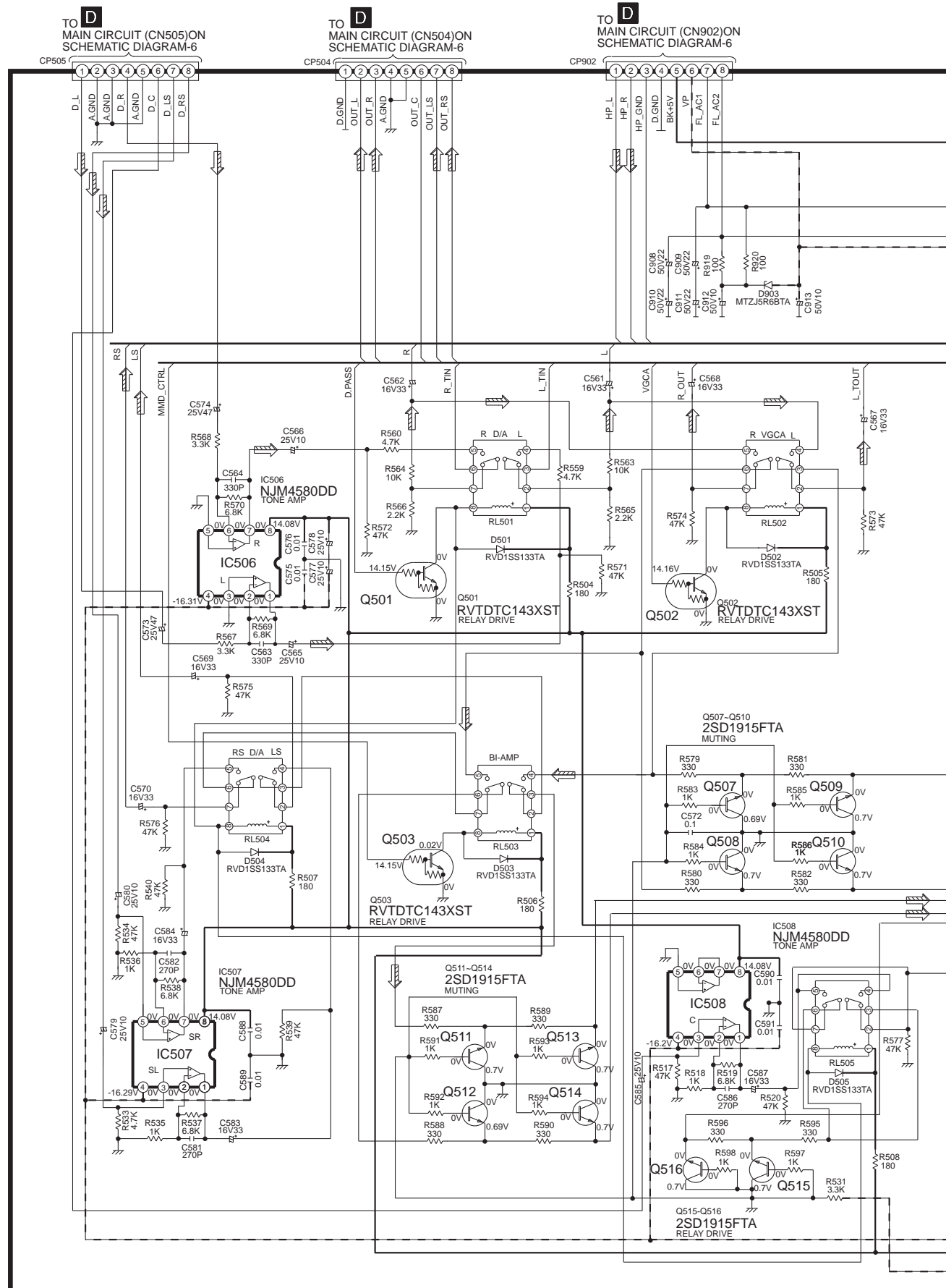
**D**  
TO MAIN  
CIRCUIT  
(CP401) ON  
SCHEMATIC  
DIAGRAM-5

**D**  
TO MAIN CIRCUIT  
(CP402) ON  
SCHEMATIC  
DIAGRAM-5

**D**  
TO MAIN CIRCUIT  
(CP403) ON  
SCHEMATIC  
DIAGRAM-5



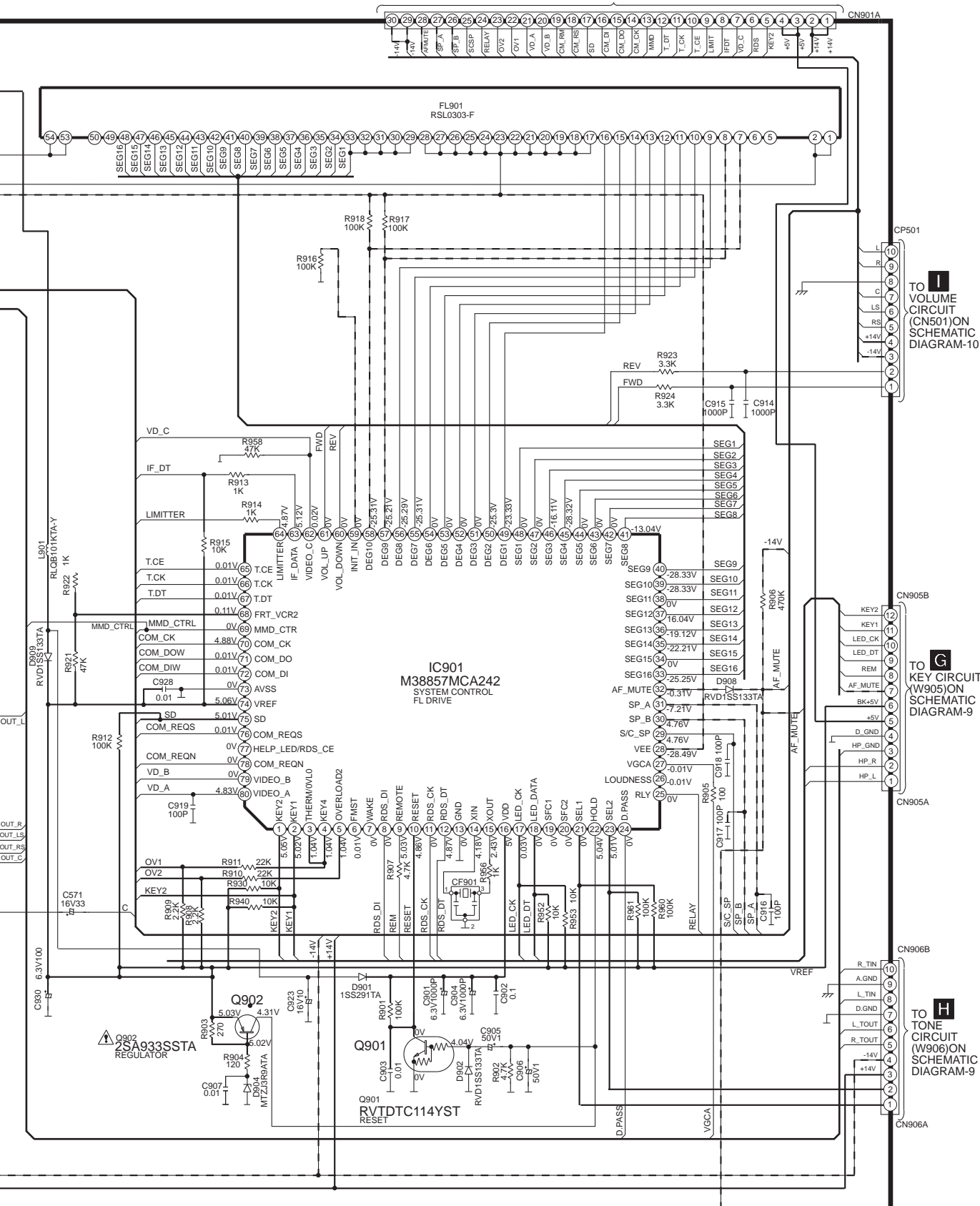




# SCHEMATIC DIAGRAM - 4

— :+B SIGNAL LINE    - - - :B SIGNAL LINE

TO **D**  
MAIN CIRCUIT (CN901B) ON  
SCHEMATIC DIAGRAM-6



TO **I**  
VOLUME  
CIRCUIT (CN501) ON  
SCHEMATIC  
DIAGRAM-10

TO **G**  
KEY CIRCUIT  
(W905) ON  
SCHEMATIC  
DIAGRAM-9

TO **H**  
TONE  
CIRCUIT (W906) ON  
SCHEMATIC  
DIAGRAM-9

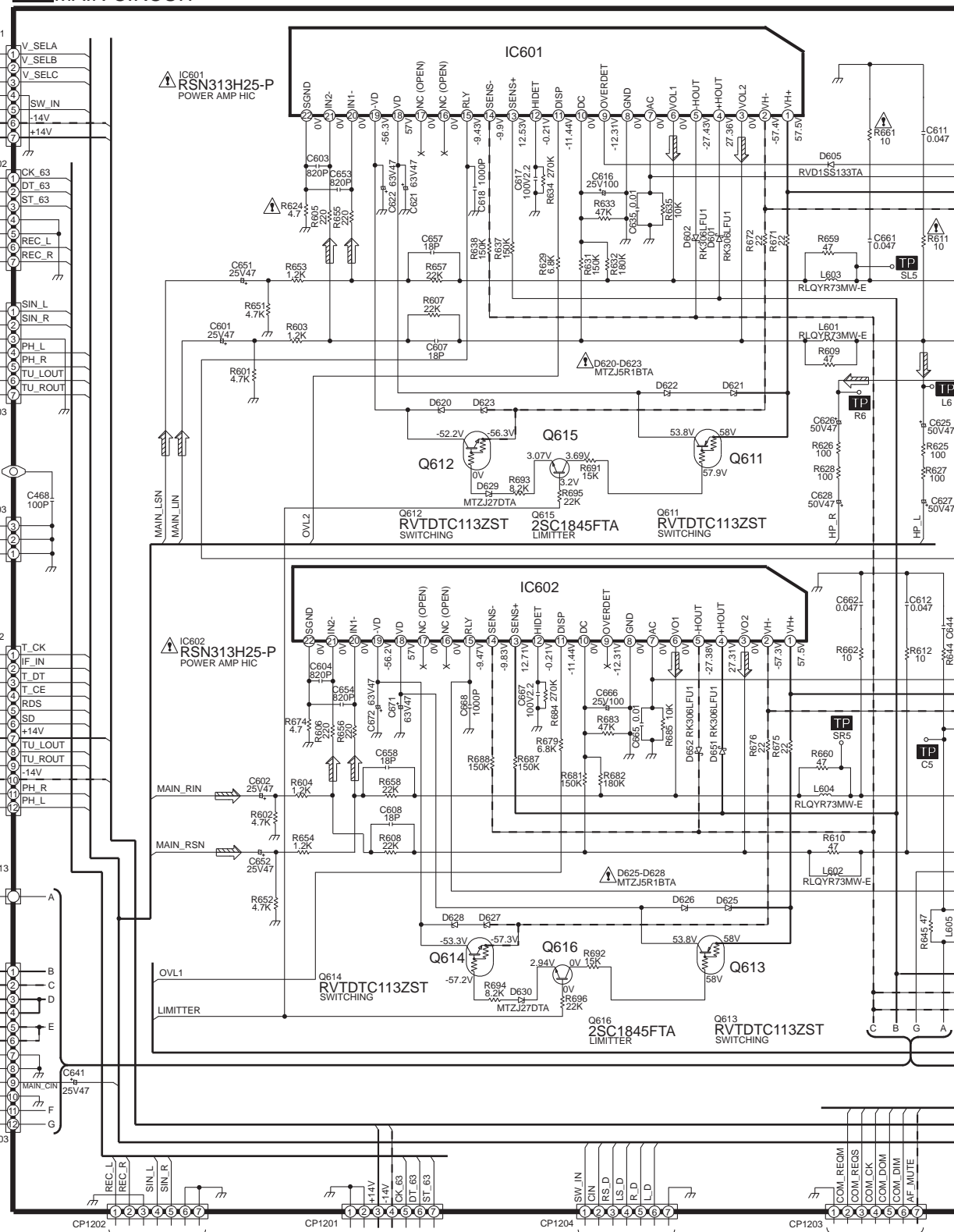


# SCHEMATIC DIAGRAM - 5

## D MAIN CIRCUIT

— :+B SIGNAL LINE    - - - :B SIGNAL LINE    ⇨ :MAIN SIGNAL LINE

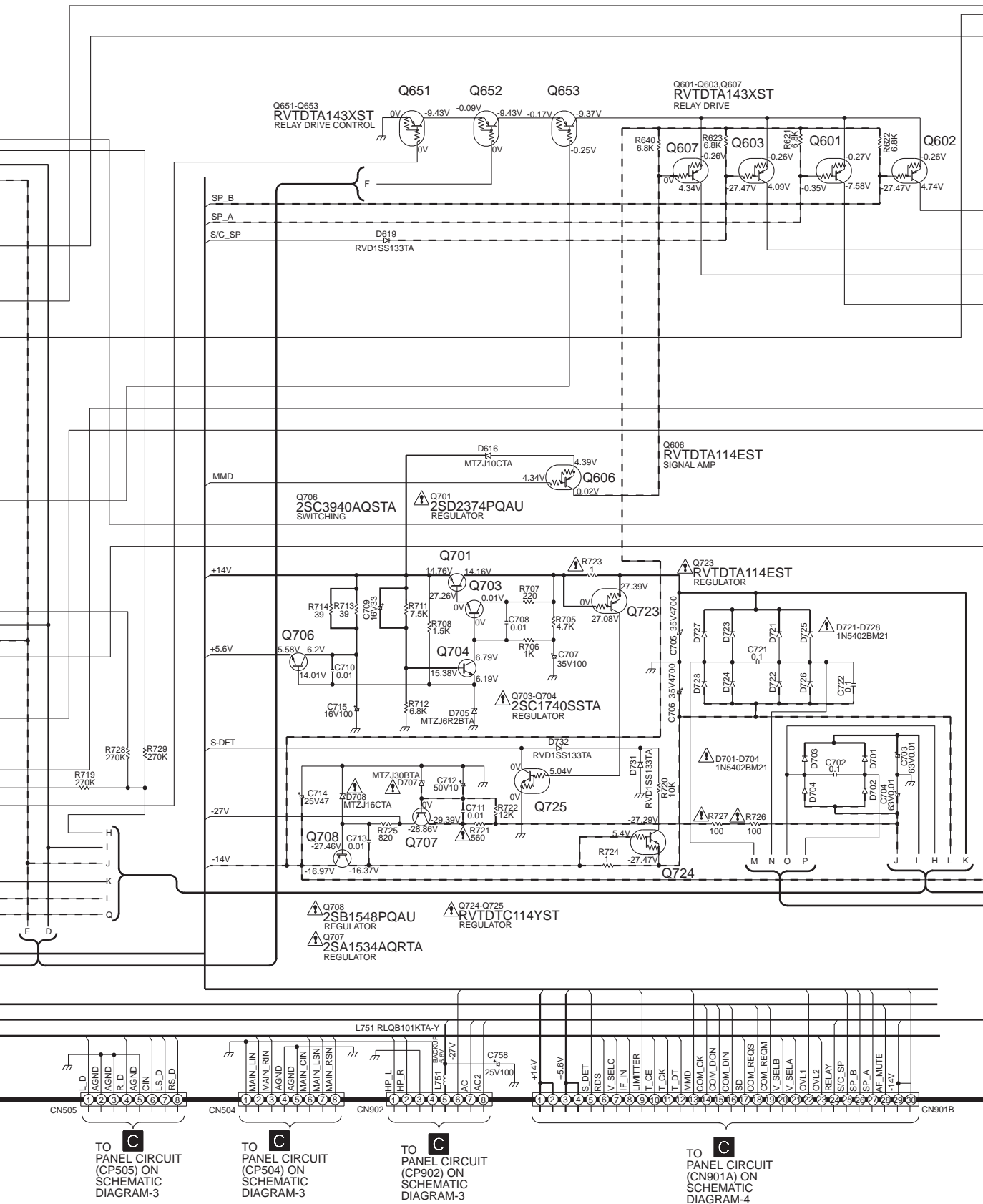
- TO **A** INPUT SELECTOR CIRCUIT (CN401) ON SCHEMATIC DIAGRAM-1
- TO **A** INPUT SELECTOR CIRCUIT (CN402) ON SCHEMATIC DIAGRAM-1
- TO **A** INPUT SELECTOR CIRCUIT (CN403) ON SCHEMATIC DIAGRAM-1
- TO **K** PHONO EQ CIRCUIT (CN103) ON SCHEMATIC DIAGRAM-10
- TO **K** PHONO EQ CIRCUIT (CN102) ON SCHEMATIC DIAGRAM-10
- TO **O** POWER AMP CIRCUIT (W613) ON SCHEMATIC DIAGRAM-11
- TO **O** POWER AMP CIRCUIT (W603) ON SCHEMATIC DIAGRAM-11
- TO **B** SURROUND CIRCUIT (CN1202) ON SCHEMATIC DIAGRAM-2
- TO **B** SURROUND CIRCUIT (CN1201) ON SCHEMATIC DIAGRAM-2
- TO **B** SURROUND CIRCUIT (CN1204) ON SCHEMATIC DIAGRAM-2
- TO **B** SURROUND CIRCUIT (CN1203) ON SCHEMATIC DIAGRAM-2





# SCHEMATIC DIAGRAM - 6

— :+B SIGNAL LINE    - - - : -B SIGNAL LINE



TO PANEL CIRCUIT (CP505) ON SCHEMATIC DIAGRAM-3

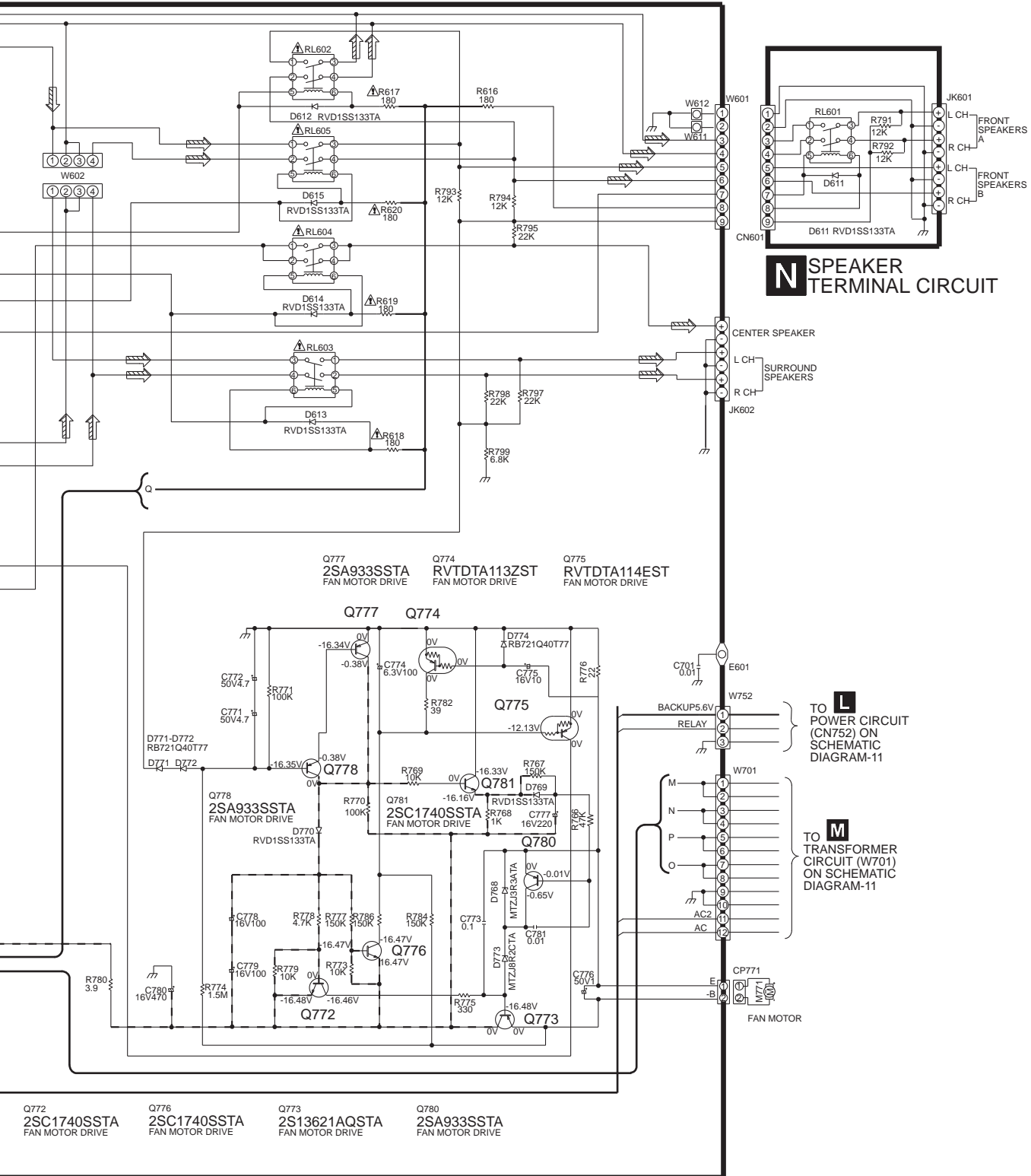
TO PANEL CIRCUIT (CP504) ON SCHEMATIC DIAGRAM-3

TO PANEL CIRCUIT (CP902) ON SCHEMATIC DIAGRAM-3

TO PANEL CIRCUIT (CN901A) ON SCHEMATIC DIAGRAM-4

# SCHEMATIC DIAGRAM - 7

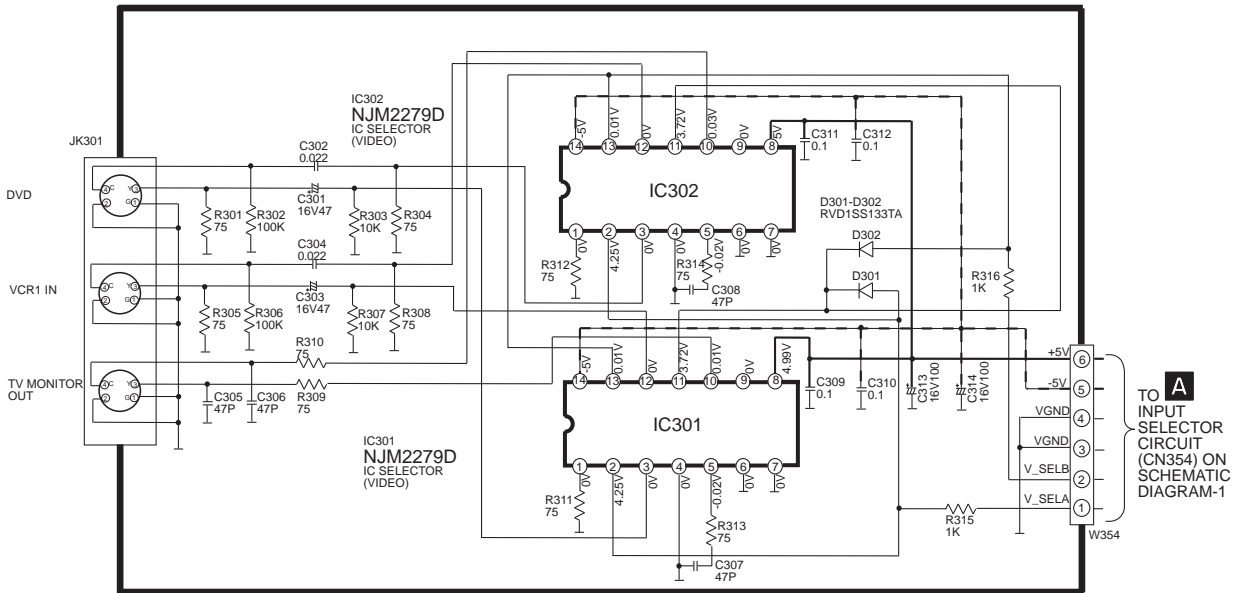
— :+B SIGNAL LINE    - - - :B SIGNAL LINE    ⇨ :MAIN SIGNAL LINE



# SCHEMATIC DIAGRAM -8

— :+B SIGNAL LINE    - - -:B SIGNAL LINE

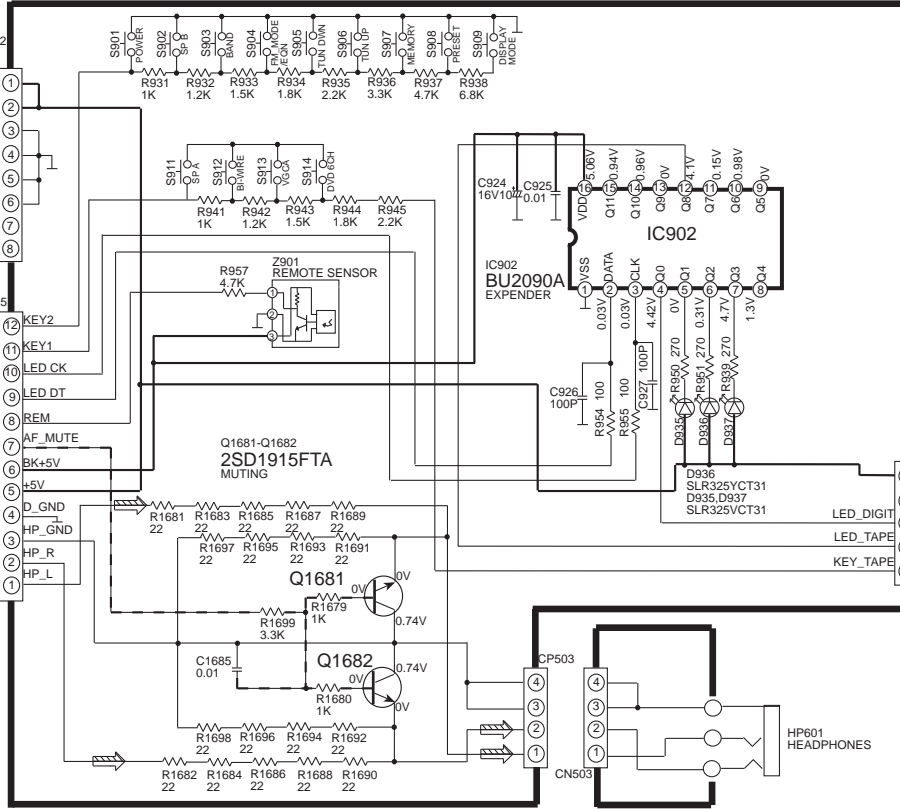
## F S VIDEO CIRCUIT



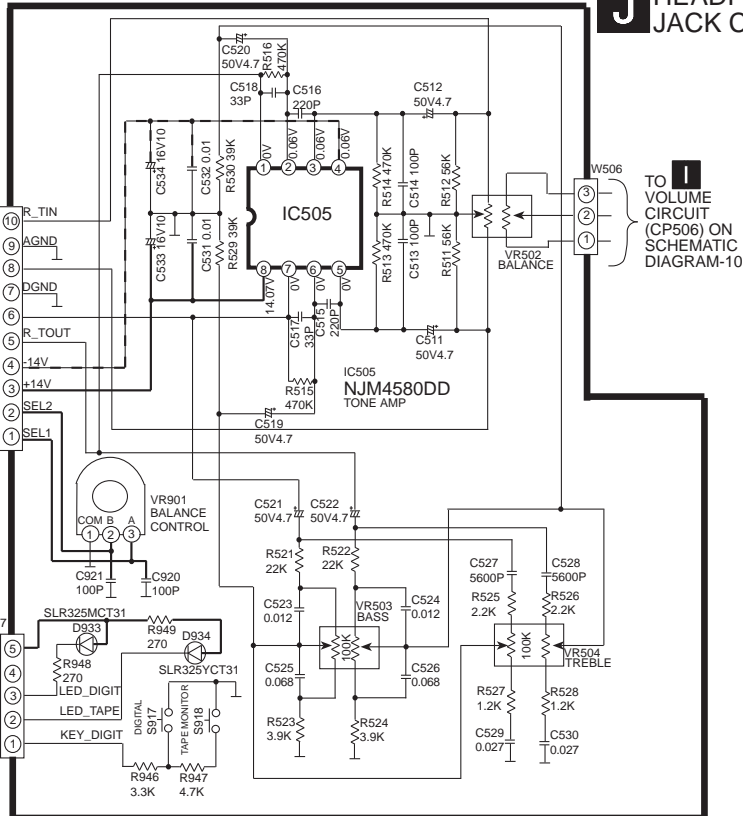
# SCHEMATIC DIAGRAM - 9

## G KEY CIRCUIT

— :+B SIGNAL LINE    - - : -B SIGNAL LINE    ⇨ : MAIN SIGNAL LINE



## J HEADPHONES JACK CIRCUIT



## H TONE CIRCUIT

TO VOLUME CIRCUIT (CN502) ON SCHEMATIC DIAGRAM-10

TO PANEL CIRCUIT (CN905) ON SCHEMATIC DIAGRAM-4

TO TONE CIRCUIT (W907) ON SCHEMATIC DIAGRAM-9

TO PANEL CIRCUIT (CN906) ON SCHEMATIC DIAGRAM-4

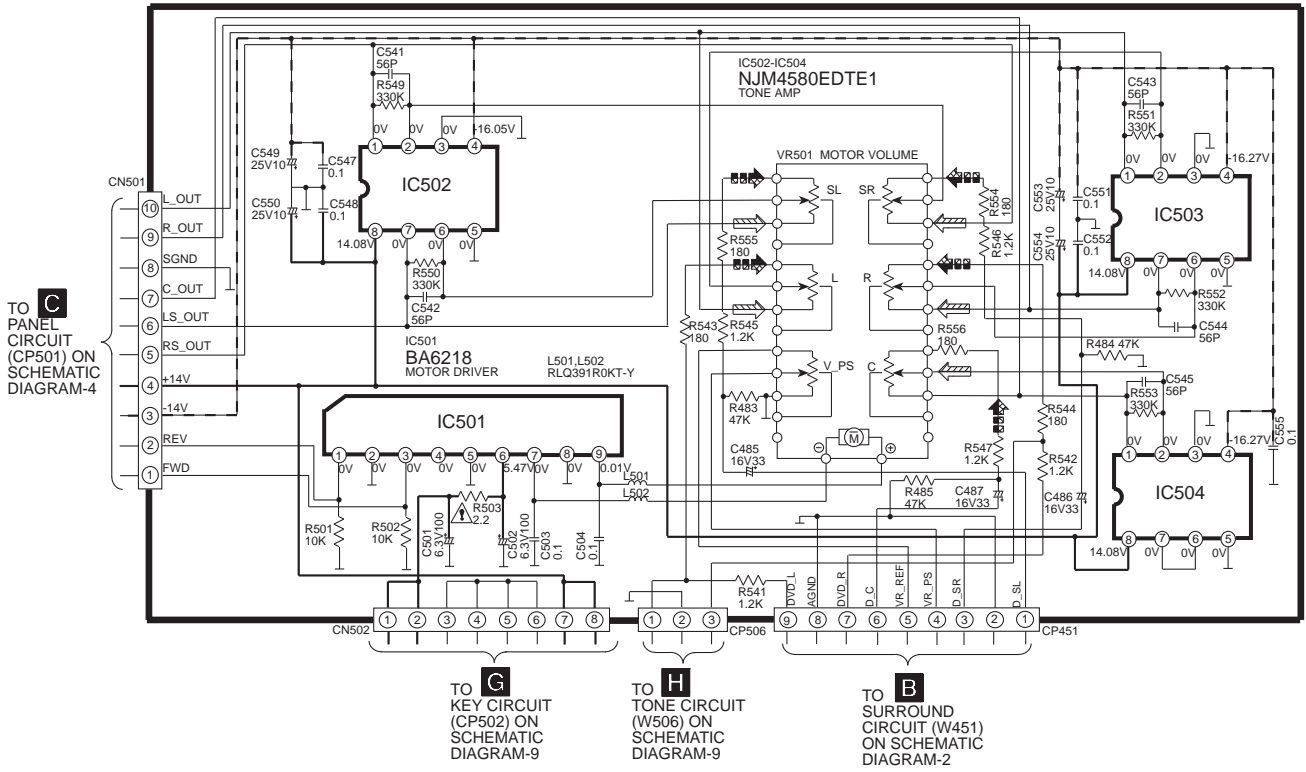
TO VOLUME CIRCUIT (CP506) ON SCHEMATIC DIAGRAM-10

TO KEY CIRCUIT (W907) ON SCHEMATIC DIAGRAM-9

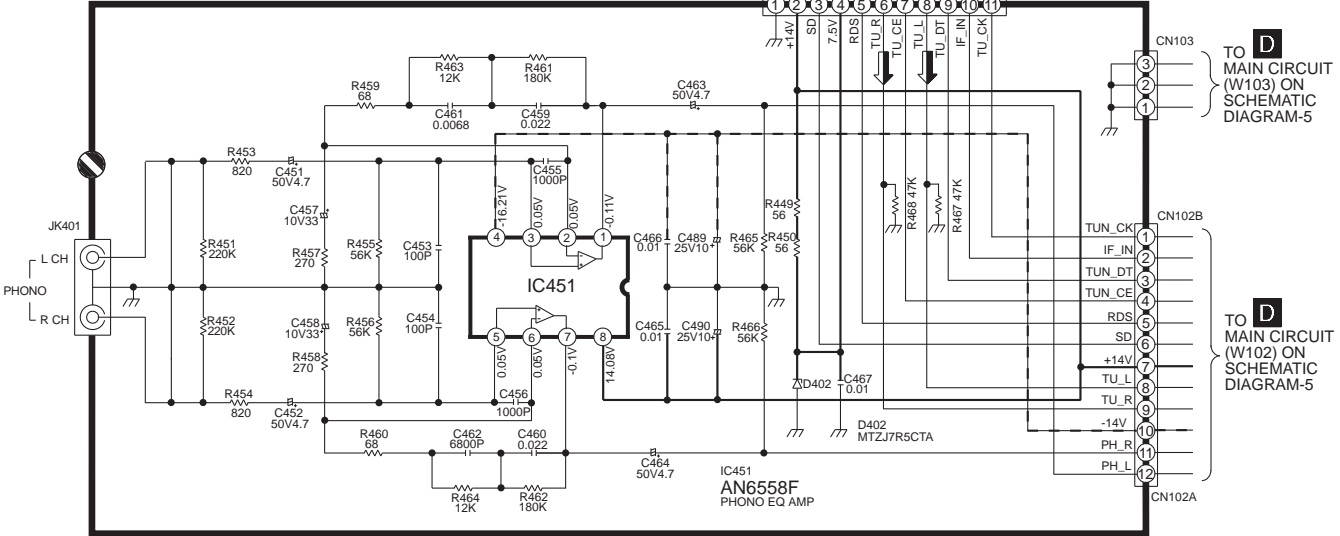
# SCHEMATIC DIAGRAM - 10

- : +B SIGNAL LINE
- - : -B SIGNAL LINE
- ⇒ : MAIN SIGNAL LINE
- ⇒ : FM/AM SIGNAL LINE
- ⇒ : DVD AUDIO/VIDEO SIGNAL LINE

## I VOLUME CIRCUIT



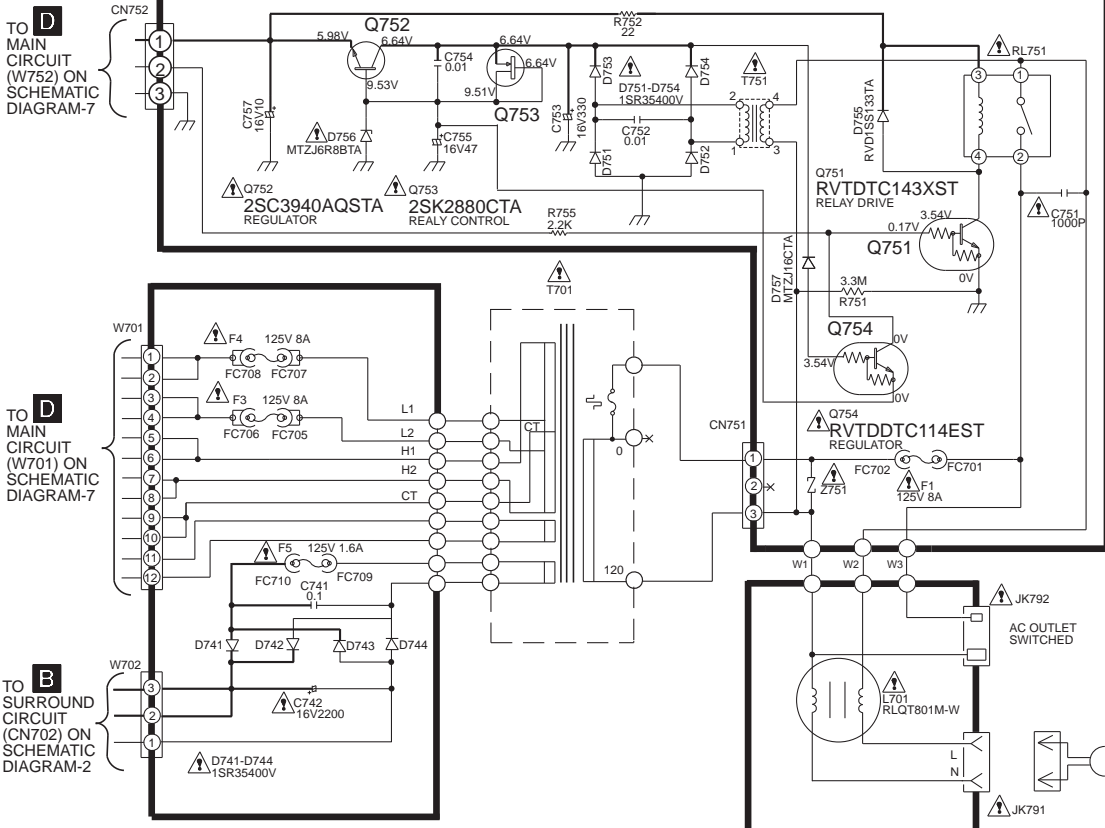
## K PHONO EQ CIRCUIT



# SCHMATIC DIAGRAM - 11

— :+B SIGNAL LINE    - - : -B SIGNAL LINE    ⇨ : MAIN SIGNAL LINE

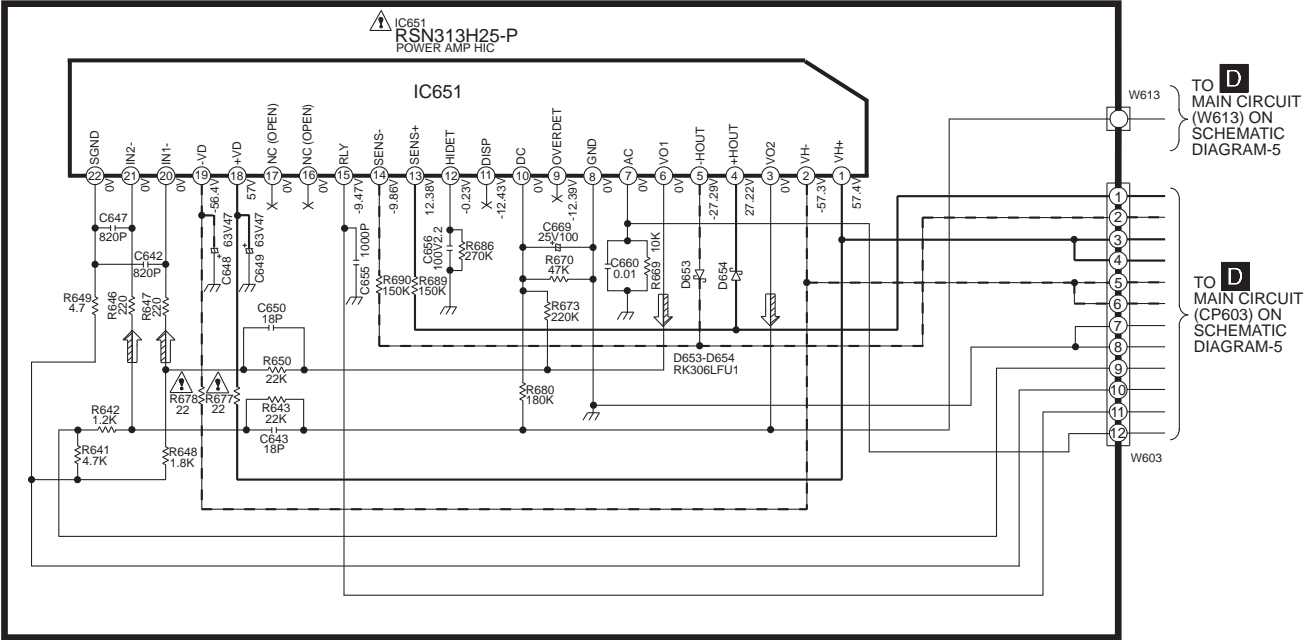
## L POWER CIRCUIT



## M TRANSFORMER CIRCUIT

## Q AC IN/OUT CIRCUIT

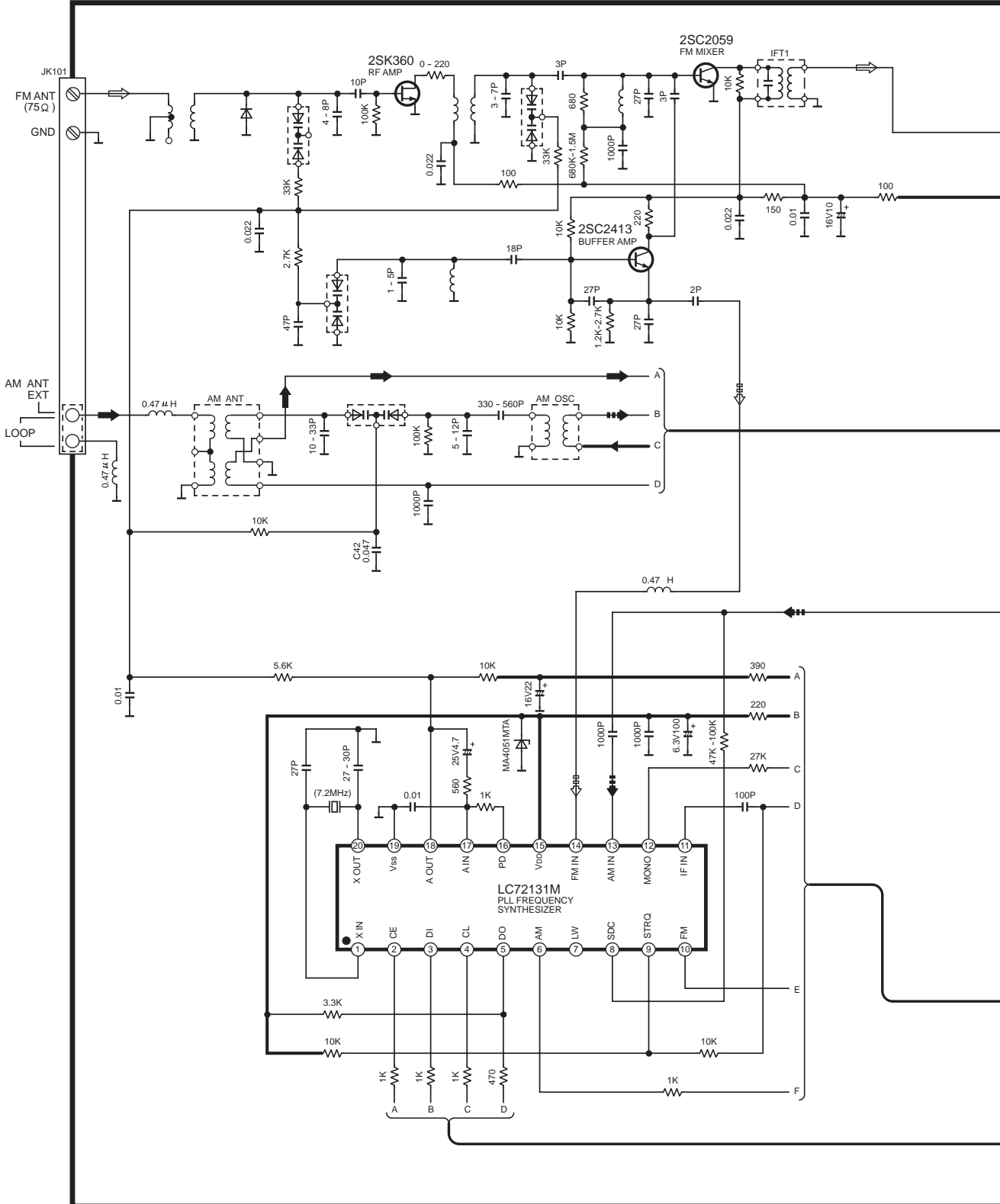
## O POWER AMP CIRCUIT



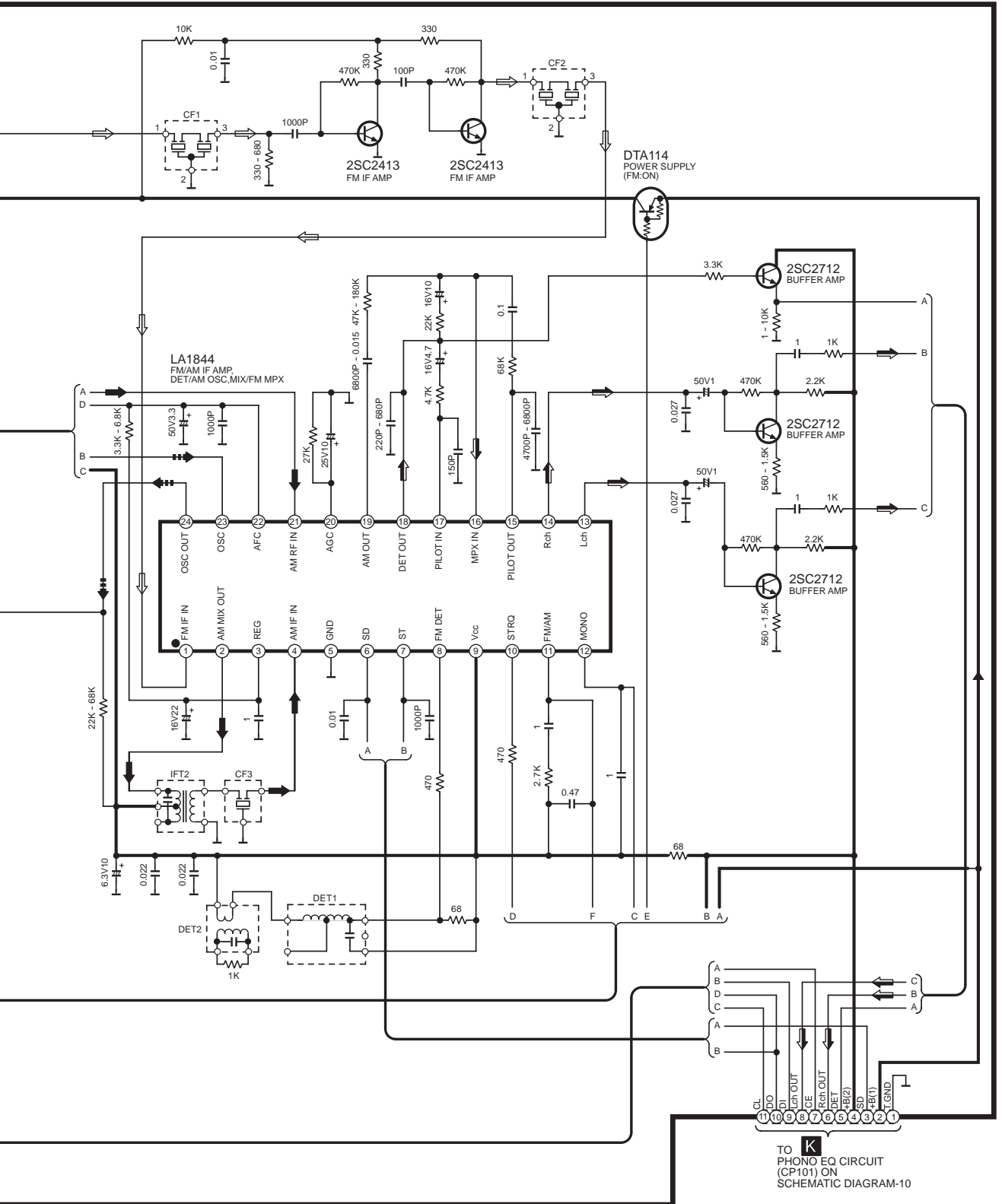
SCHEMATIC DIAGRAM-12

**R** Z101 TUNER UNIT (RAN0001MM)

— : B SIGNAL LINE  
 ⇨ : FM SIGNAL LINE  
 ⇨⇨ : FM OSC SIGNAL LINE  
 ⇨⇨⇨ : AM SIGNAL LINE  
 ⇨⇨⇨⇨ : AM OSC SIGNAL LINE



: POSITIVE VOLTAGE LINE  
  : FM SIGNAL LINE  
  : AM SIGNAL LINE  
  : AM OSC SIGNAL LINE  
  : FM/AM SIGNAL LINE





SCHEMATIC DIAGRAM - 13

**P** DTS CIRCUIT

— : +B SIGNAL LINE

