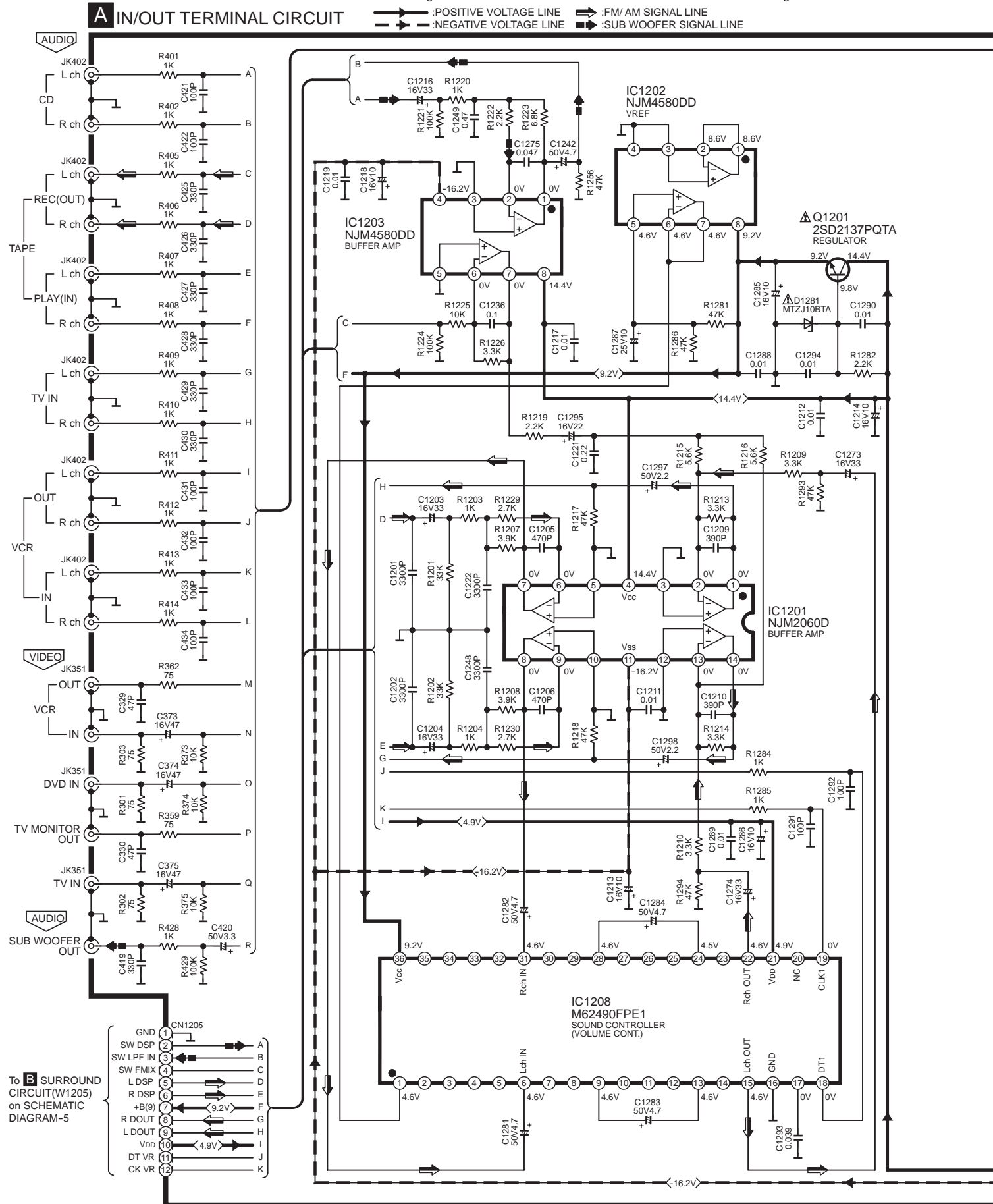
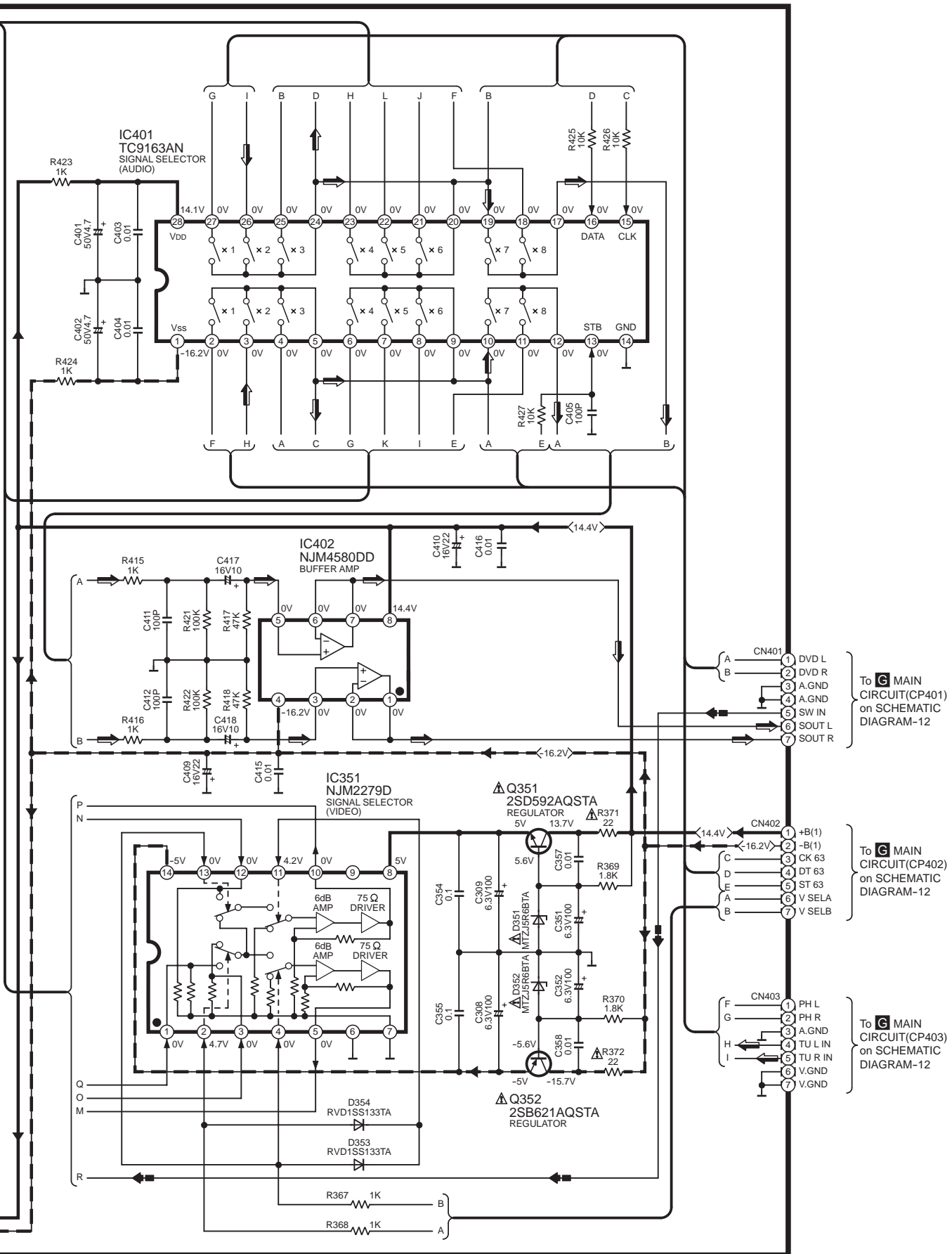


NOTE: The number which noted at the connectors on the schematic diagram as "SCHEMATIC DIAGRAM-1" or "SCHEMATIC DIAGRAM-2" indicates the schematic diagram serial number located on the left corner in the schematic diagram.



SCHEMATIC DIAGRAM-2

: POSITIVE VOLTAGE LINE
 : NEGATIVE VOLTAGE LINE
 : FM/AM SIGNAL LINE
 : SUB WOOFER SIGNAL LINE



To **G** MAIN CIRCUIT (CP401) on SCHEMATIC DIAGRAM-12

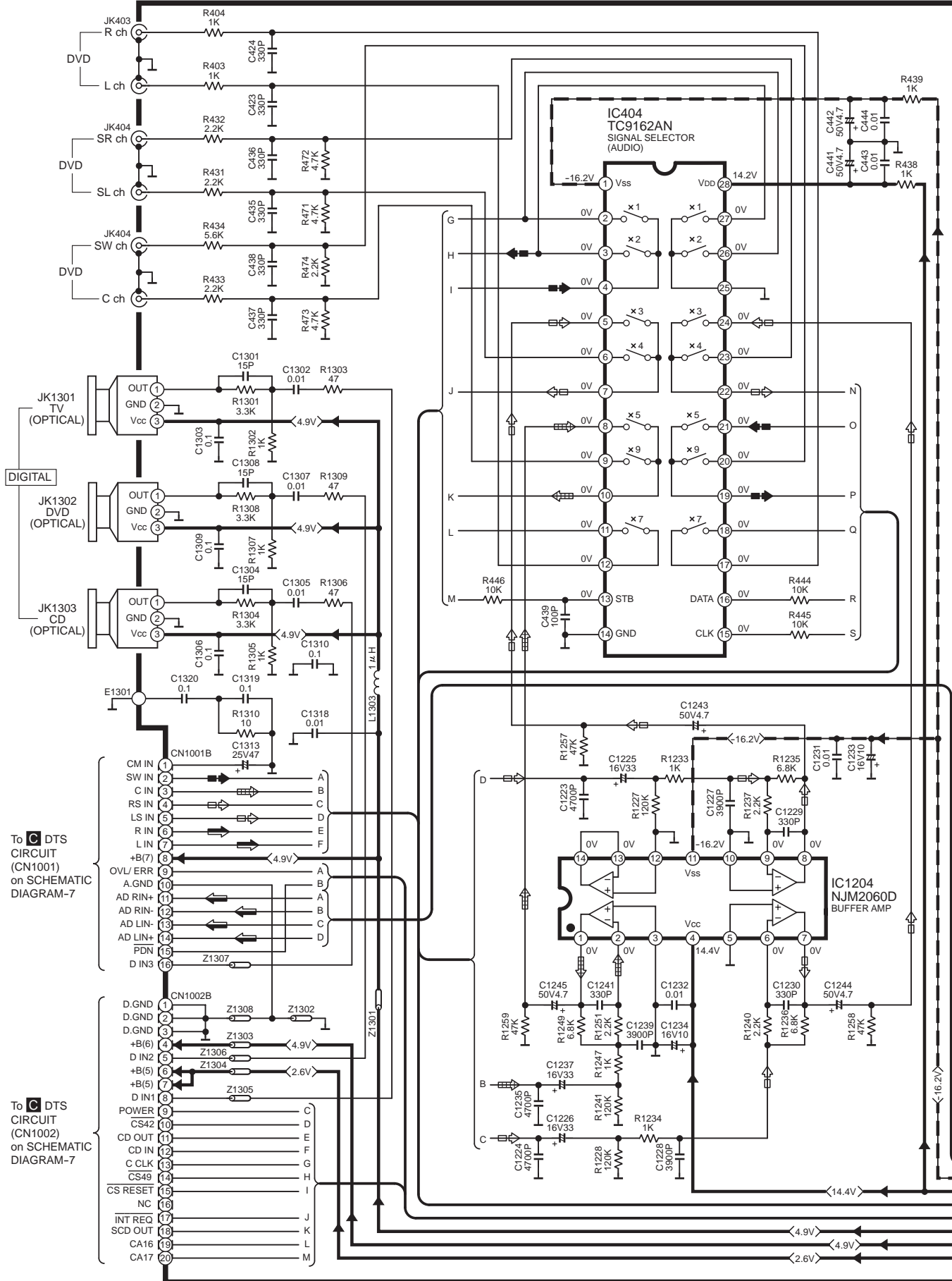
To **G** MAIN CIRCUIT (CP402) on SCHEMATIC DIAGRAM-12

To **G** MAIN CIRCUIT (CP403) on SCHEMATIC DIAGRAM-12

SCHEMATIC DIAGRAM-3

B SURROUND CIRCUIT

: POSITIVE VOLTAGE LINE
 : NEGATIVE VOLTAGE LINE
 : FM/AM SIGNAL LINE
 : CENTER SP SIGNAL LINE
 : SURROUND SP SIGNAL LINE
 : SUB WOOFER SIGNAL LINE

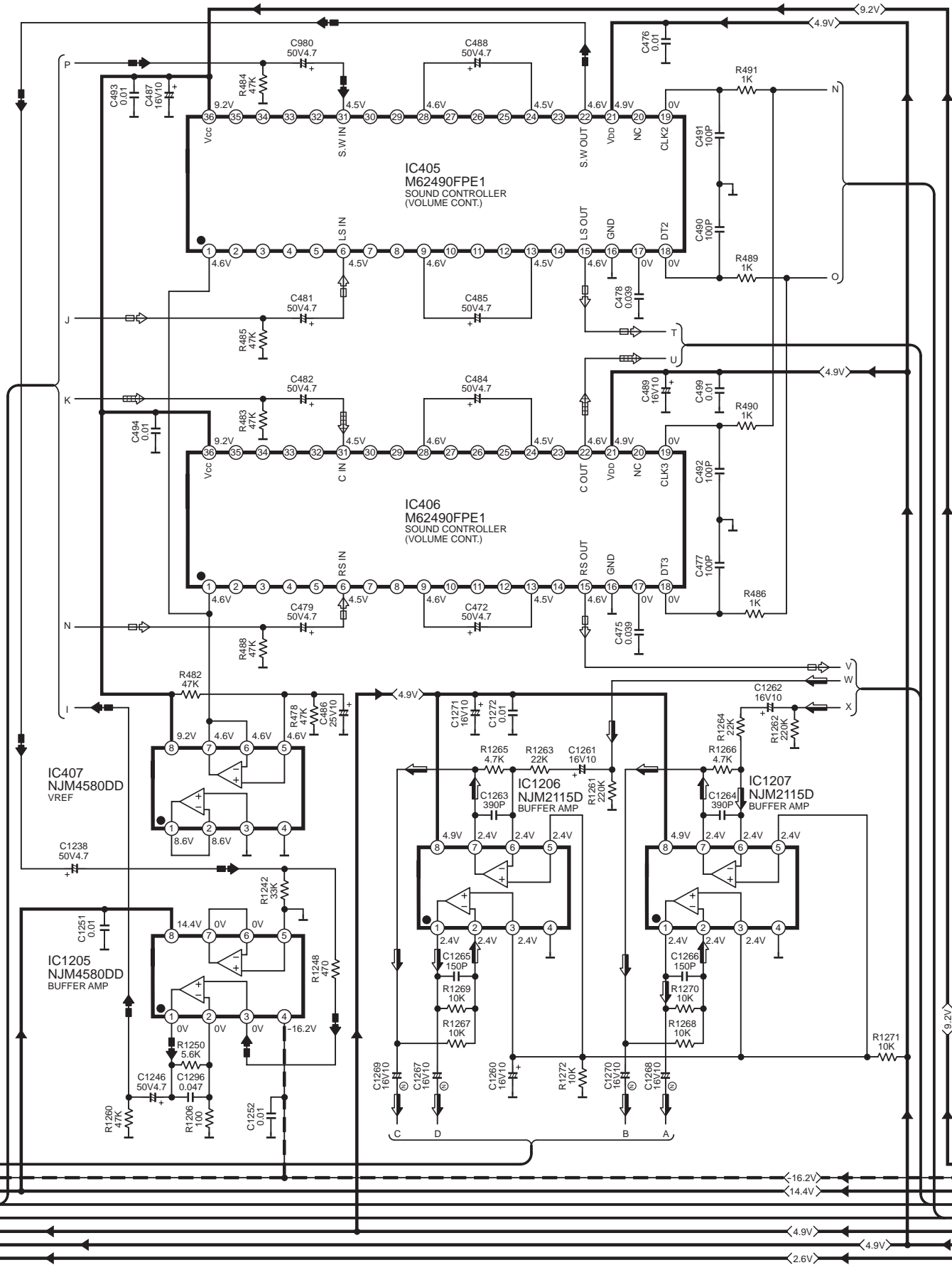


To **C** DTS CIRCUIT (CN1001) on SCHEMATIC DIAGRAM-7

To **C** DTS CIRCUIT (CN1002) on SCHEMATIC DIAGRAM-7

SCHEMATIC DIAGRAM-4

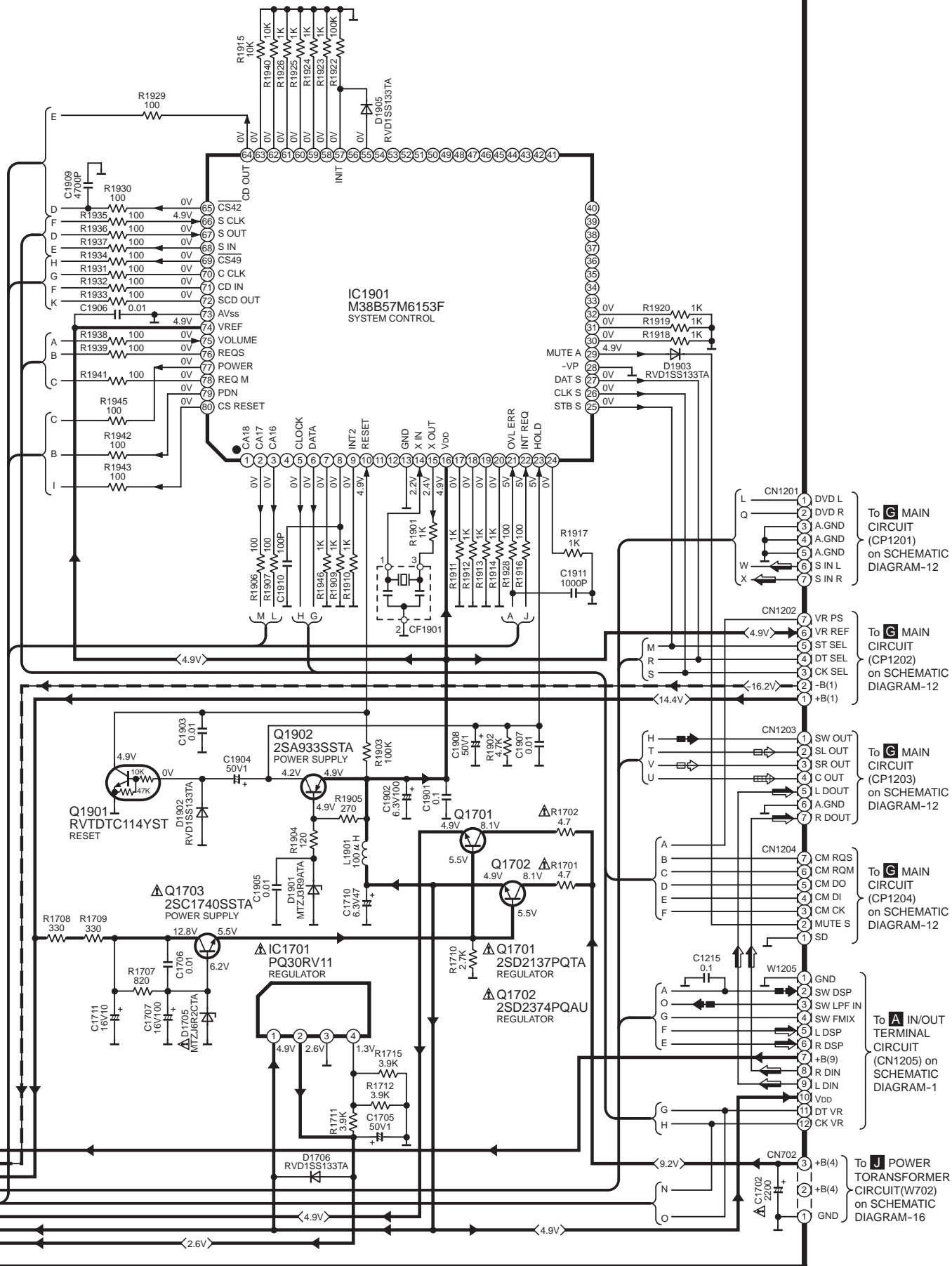
- ➔ : POSITIVE VOLTAGE LINE
- ➔ : FM/AM SIGNAL LINE
- ◻ : SURROUND SP SIGNAL LINE
- ➔ : NEGATIVE VOLTAGE LINE
- ◻ : CENTER SP SIGNAL LINE
- ➔ : SUB WOOFER SIGNAL LINE



SCHEMATIC DIAGRAM-5

B SURROUND CIRCUIT

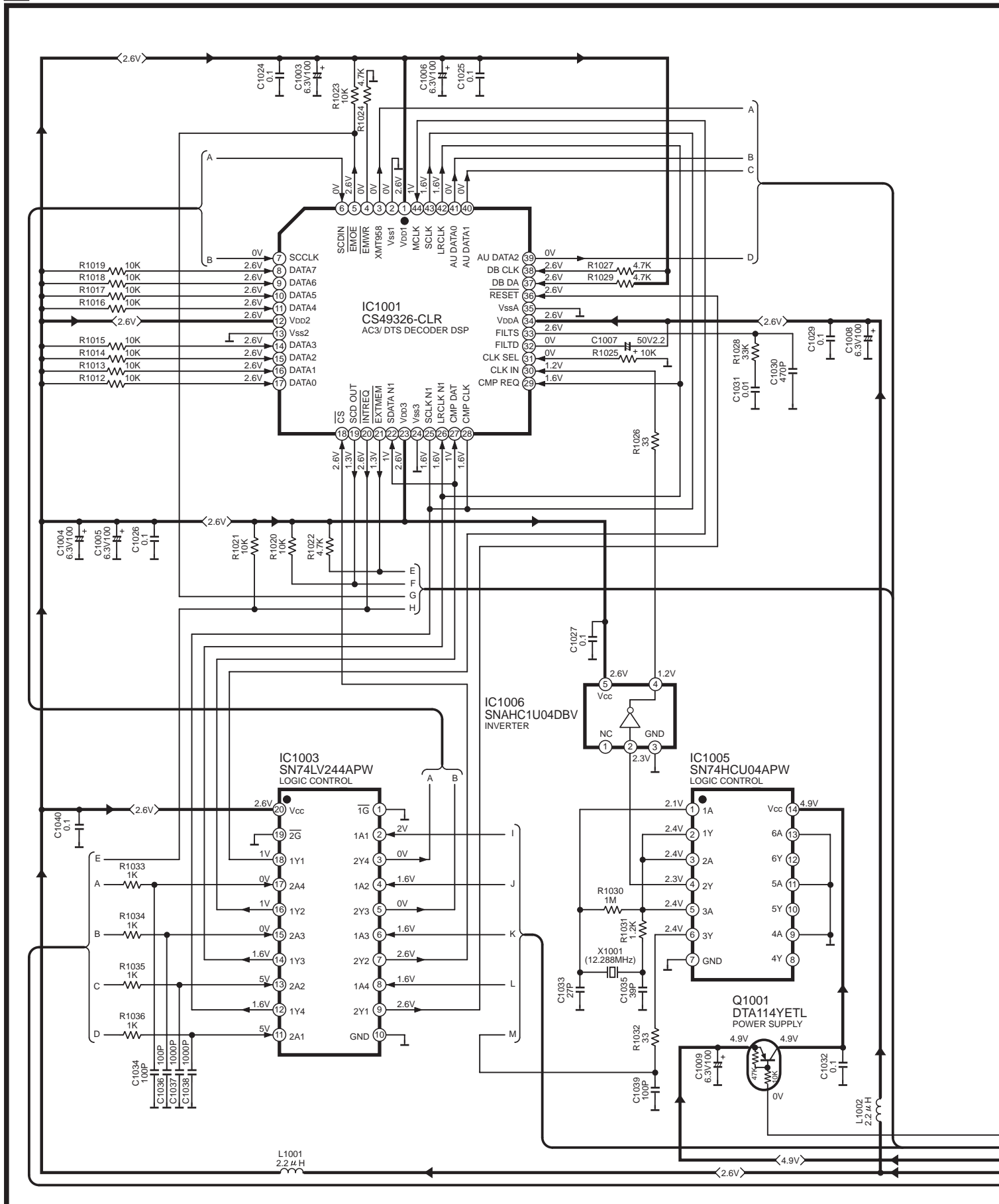
: POSITIVE VOLTAGE LINE : FM/AM SIGNAL LINE : SURROUND SP SIGNAL LINE
 : NEGATIVE VOLTAGE LINE : CENTER SP SIGNAL LINE : SUB WOOFER SIGNAL LINE



SCHEMATIC DIAGRAM-6

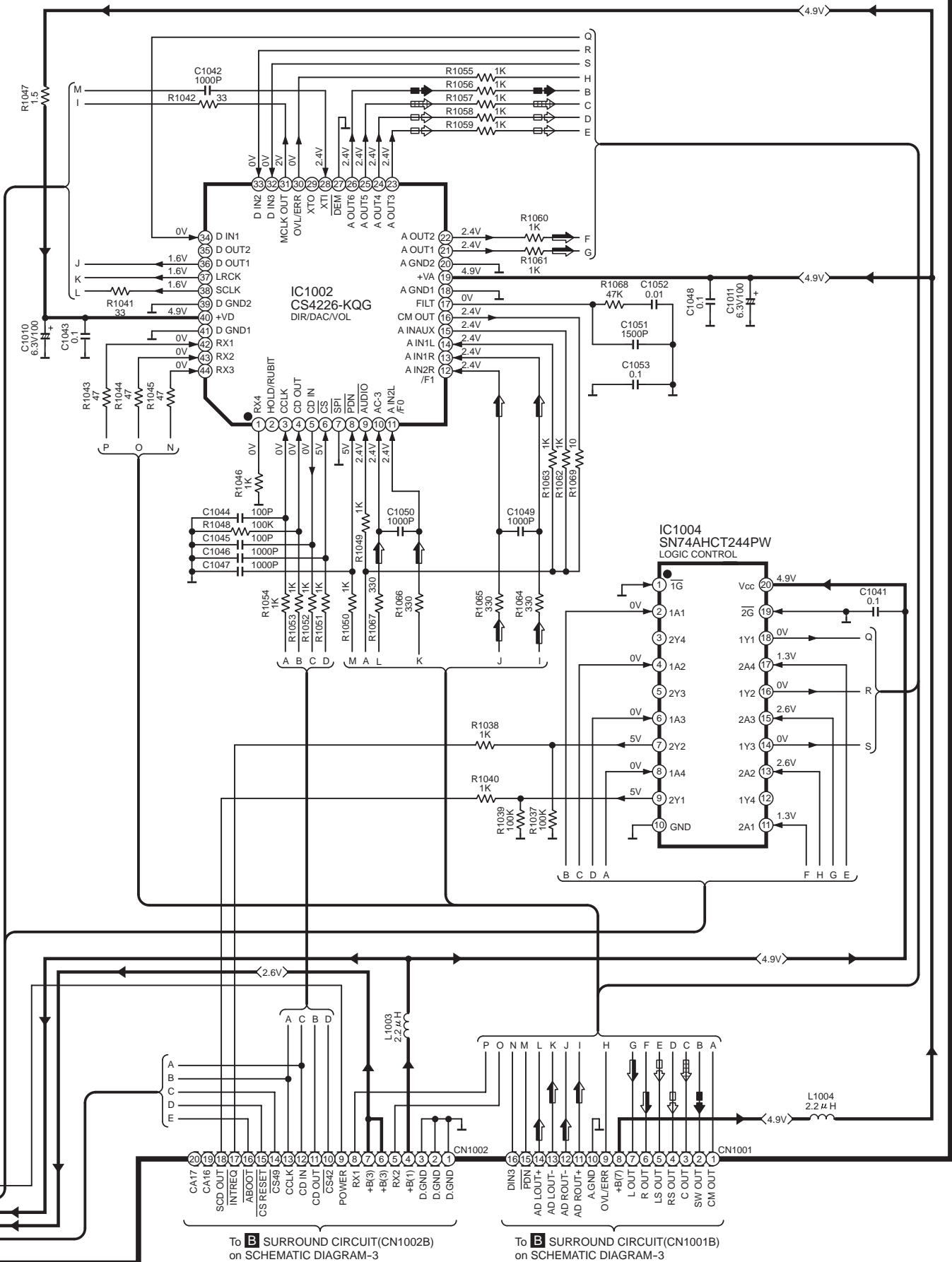
C DTS CIRCUIT

→ : POSITIVE VOLTAGE LINE



SCHEMATIC DIAGRAM-7

- ➔ : POSITIVE VOLTAGE LINE
- ➡ : FM/AM SIGNAL LINE
- ◻ : SURROUND SP SIGNAL LINE
- ◻ : CENTER SP SIGNAL LINE
- ▣ : SUB WOOFER SIGNAL LINE



To **B** SURROUND CIRCUIT(CN1002B) on SCHEMATIC DIAGRAM-3

To **B** SURROUND CIRCUIT(CN1001B) on SCHEMATIC DIAGRAM-3

SCHEMATIC DIAGRAM-8

D FL CIRCUIT

→ : POSITIVE VOLTAGE LINE - - - - - : NEGATIVE VOLTAGE LINE ⇨ : FM/AM SIGNAL LINE

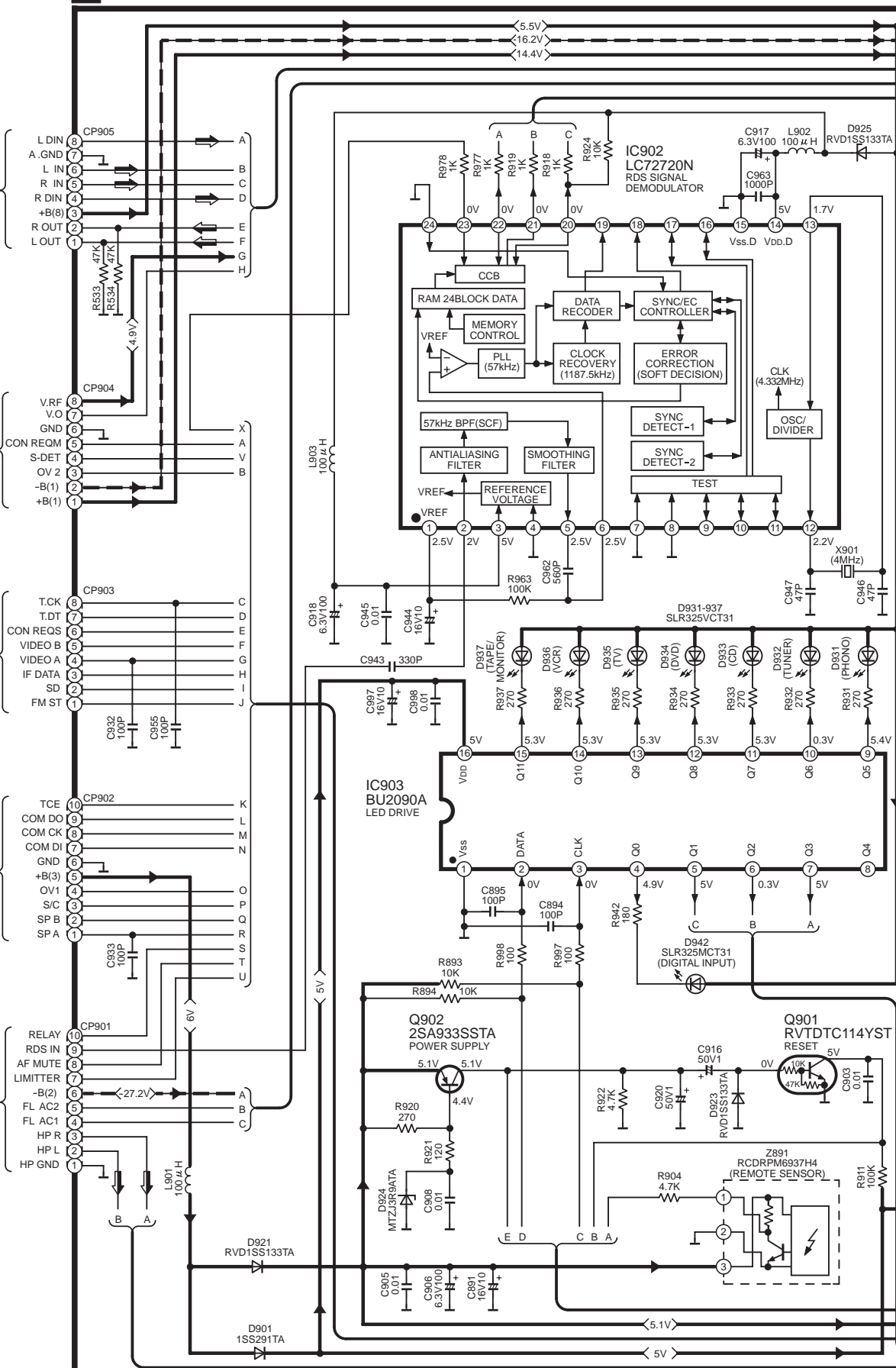
To **C** MAIN CIRCUIT (CN905) on SCHEMATIC DIAGRAM-13

To **C** MAIN CIRCUIT (CN904) on SCHEMATIC DIAGRAM-13

To **C** MAIN CIRCUIT (CN903) on SCHEMATIC DIAGRAM-13

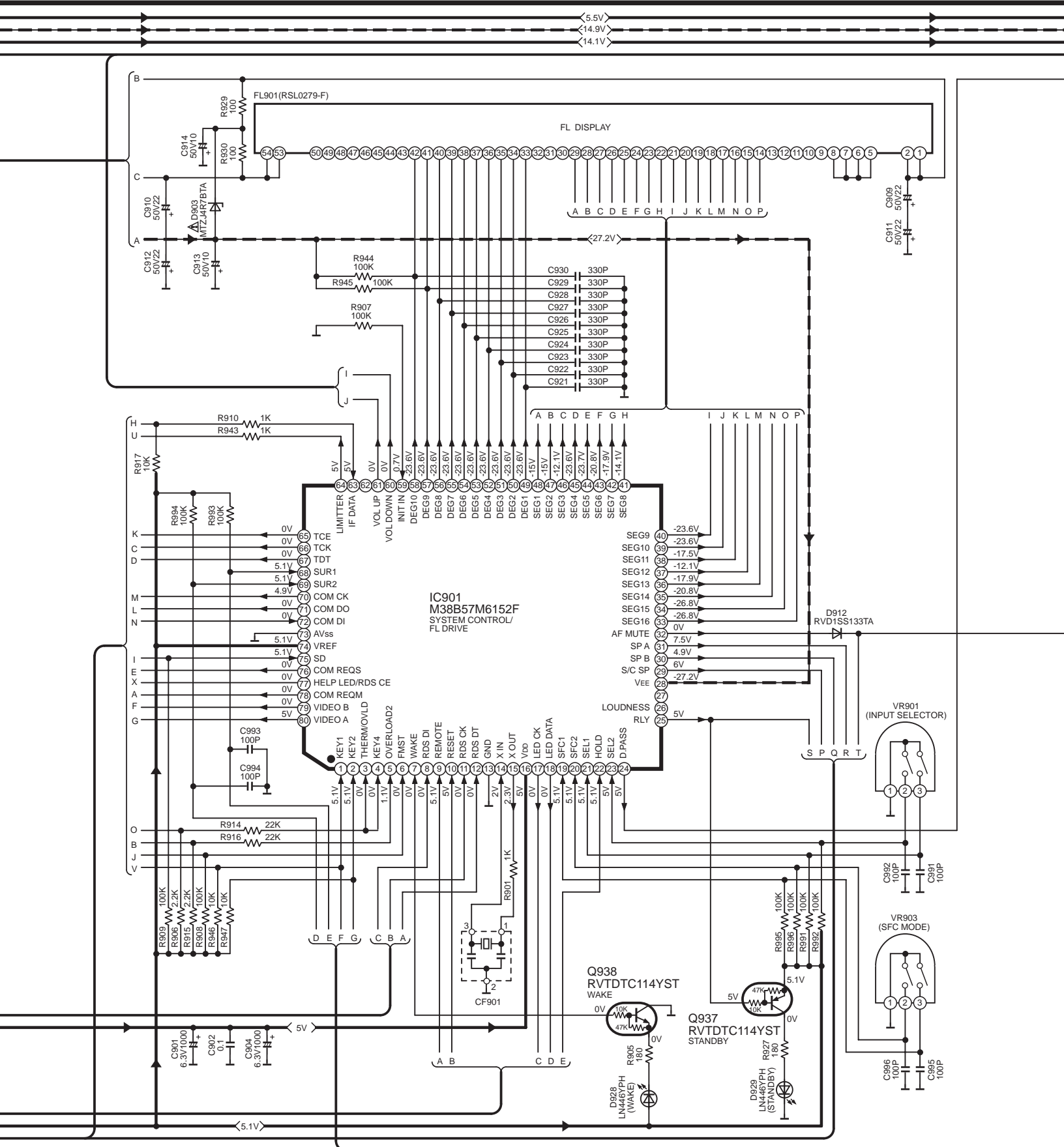
To **C** MAIN CIRCUIT (CN902) on SCHEMATIC DIAGRAM-13

To **C** MAIN CIRCUIT (CN901) on SCHEMATIC DIAGRAM-13



SCHEMATIC DIAGRAM-9

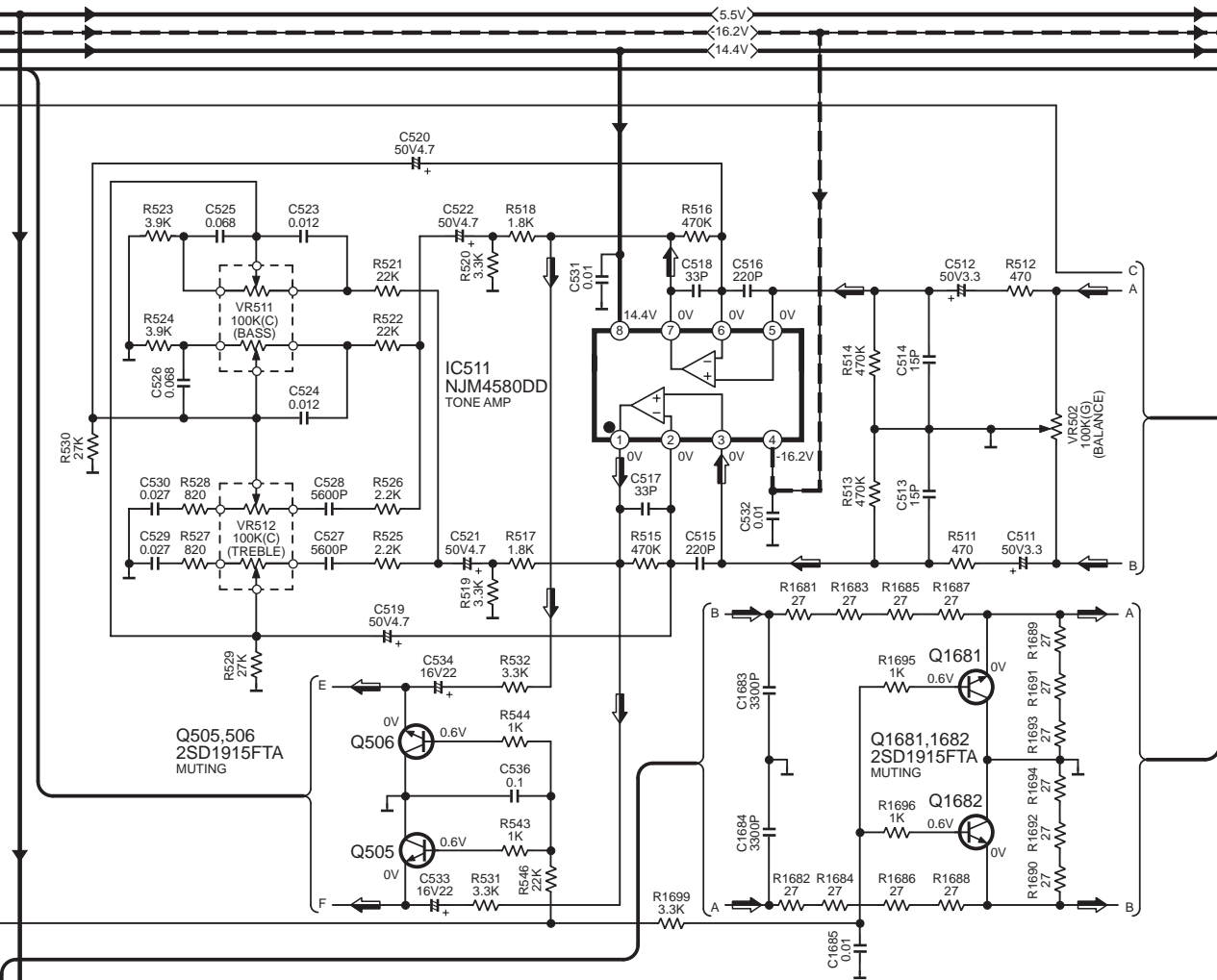
→ : POSITIVE VOLTAGE LINE - - - - - : NEGATIVE VOLTAGE LINE



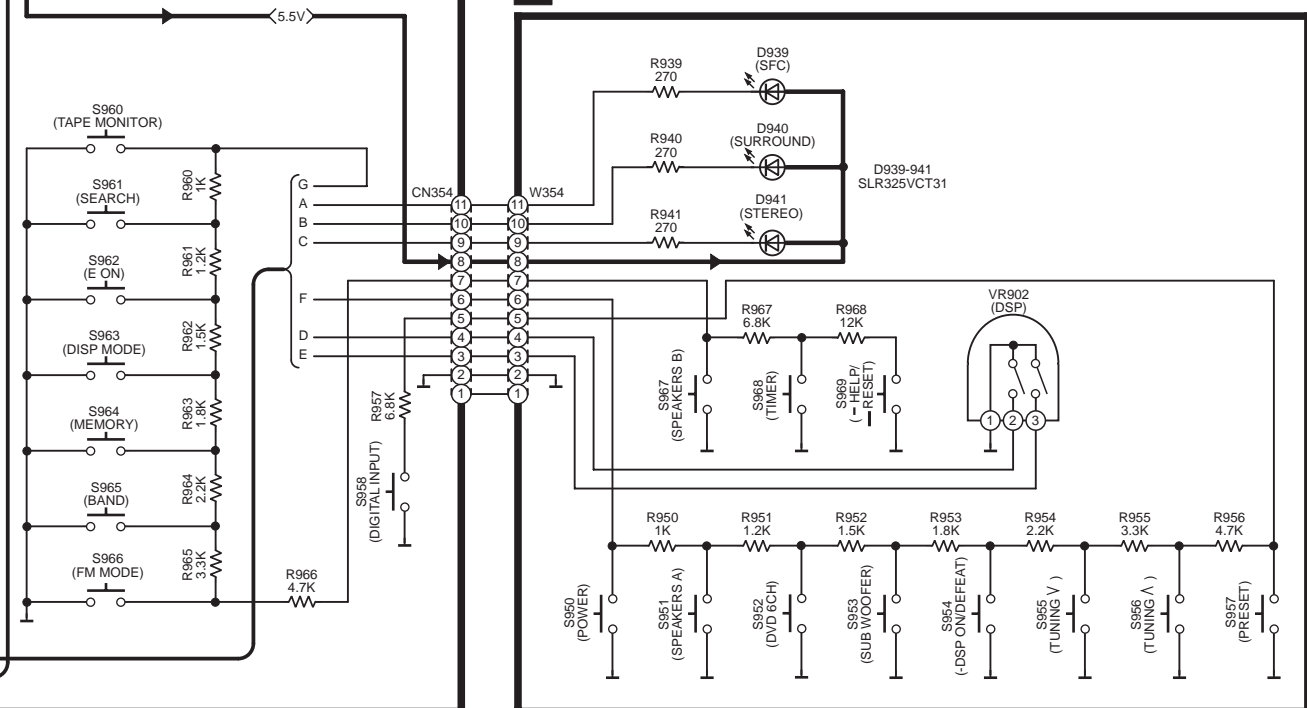
SCHEMATIC DIAGRAM-10

D FL CIRCUIT

→ : POSITIVE VOLTAGE LINE → - : NEGATIVE VOLTAGE LINE ⇨ : FM/AM SIGNAL LINE

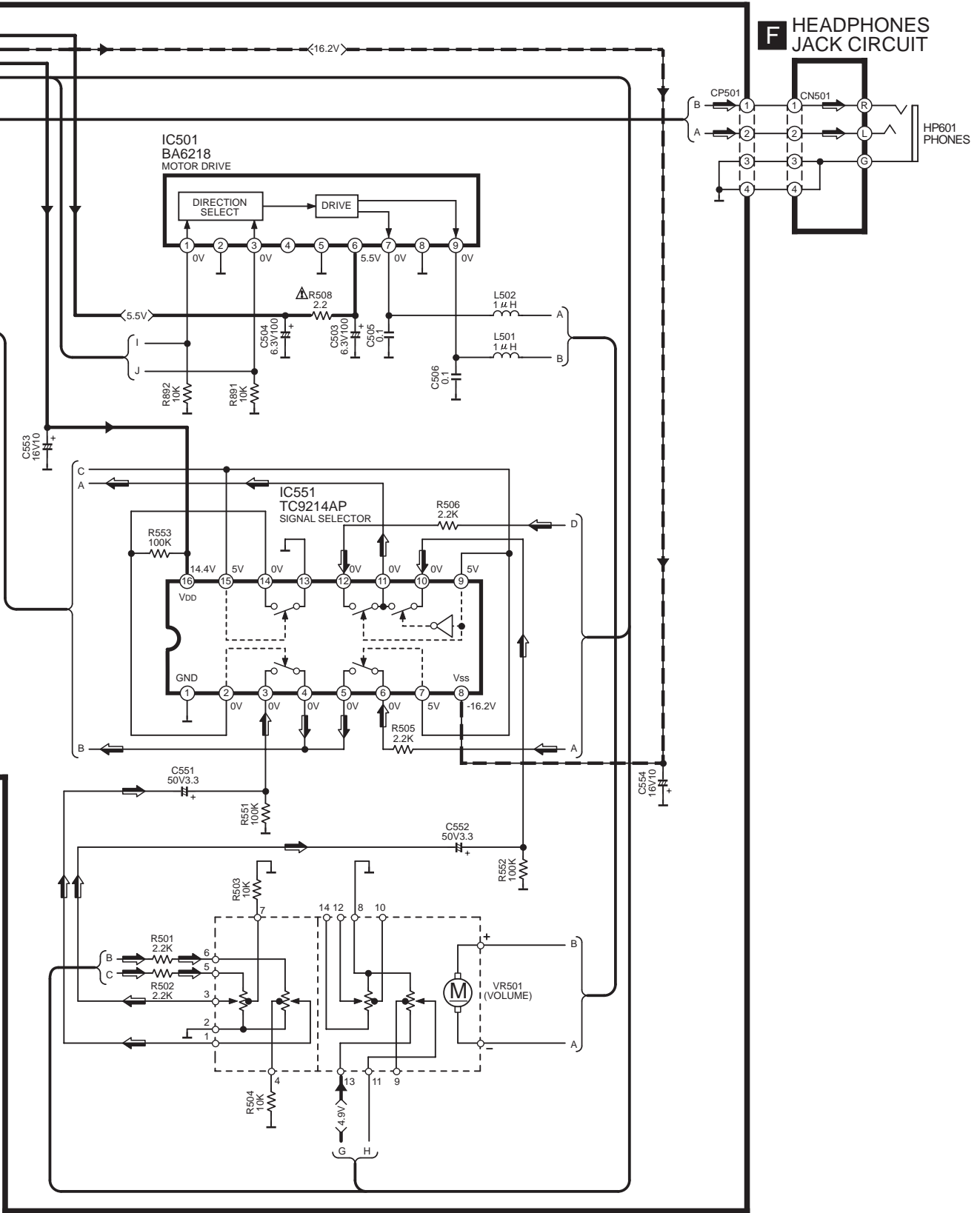


E OPERATION CIRCUIT



SCHEMATIC DIAGRAM-11

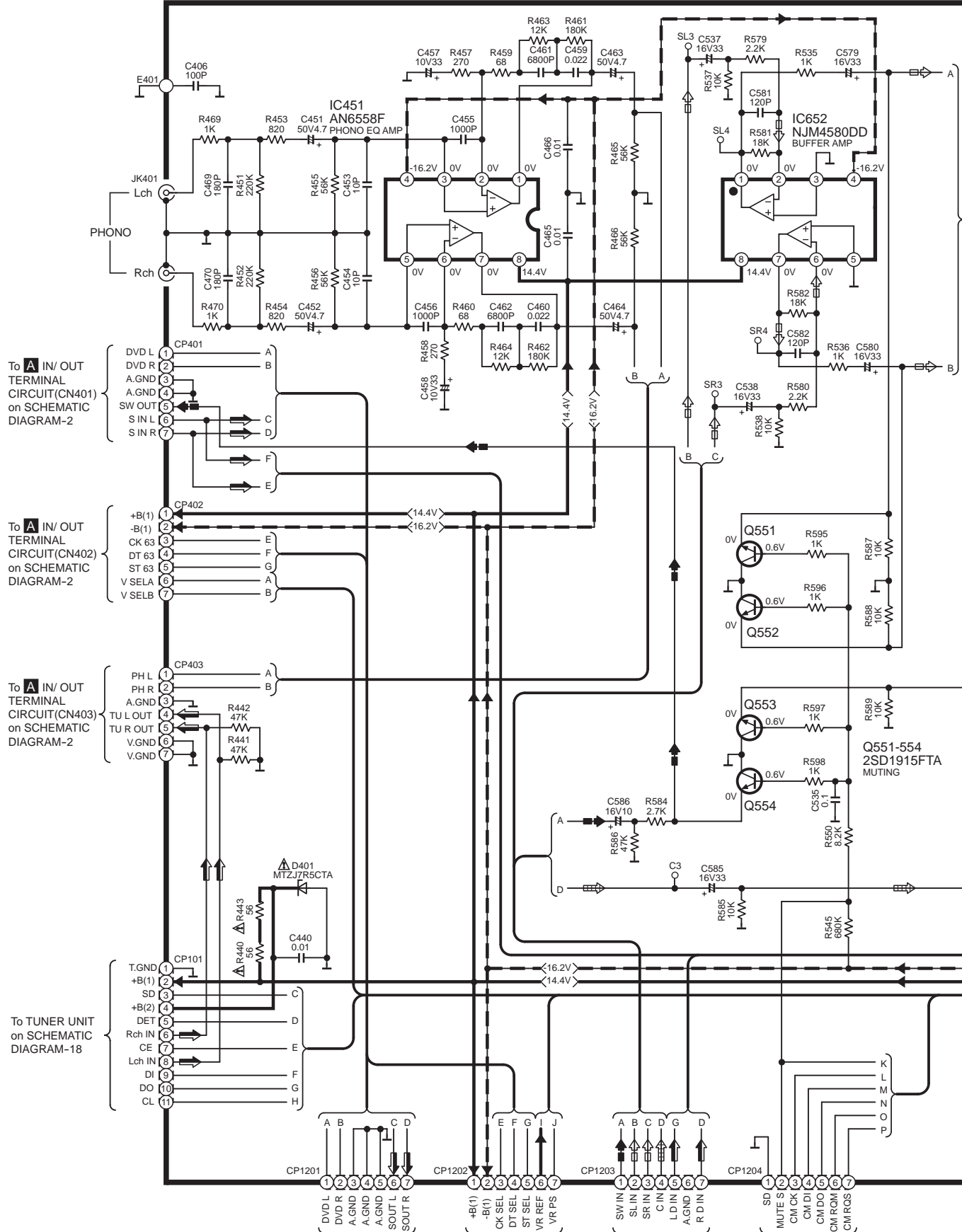
→: POSITIVE VOLTAGE LINE ←: NEGATIVE VOLTAGE LINE ⇨: FM/AM SIGNAL LINE



SCHEMATIC DIAGRAM-12

G MAIN CIRCUIT

: POSITIVE VOLTAGE LINE
 : NEGATIVE VOLTAGE LINE
 : FM/AM SIGNAL LINE
 : SURROUND SP SIGNAL LINE
 : CENTER SP SIGNAL LINE
 : SUB WOOFER SIGNAL LINE



To **A** IN/ OUT
TERMINAL
CIRCUIT(CN401)
on SCHEMATIC
DIAGRAM-2

To **A** IN/ OUT
TERMINAL
CIRCUIT(CN402)
on SCHEMATIC
DIAGRAM-2

To **A** IN/ OUT
TERMINAL
CIRCUIT(CN403)
on SCHEMATIC
DIAGRAM-2

To TUNER UNIT
on SCHEMATIC
DIAGRAM-18

To **B** SURROUND
CIRCUIT(CN1201) on
SCHEMATIC DIAGRAM-5

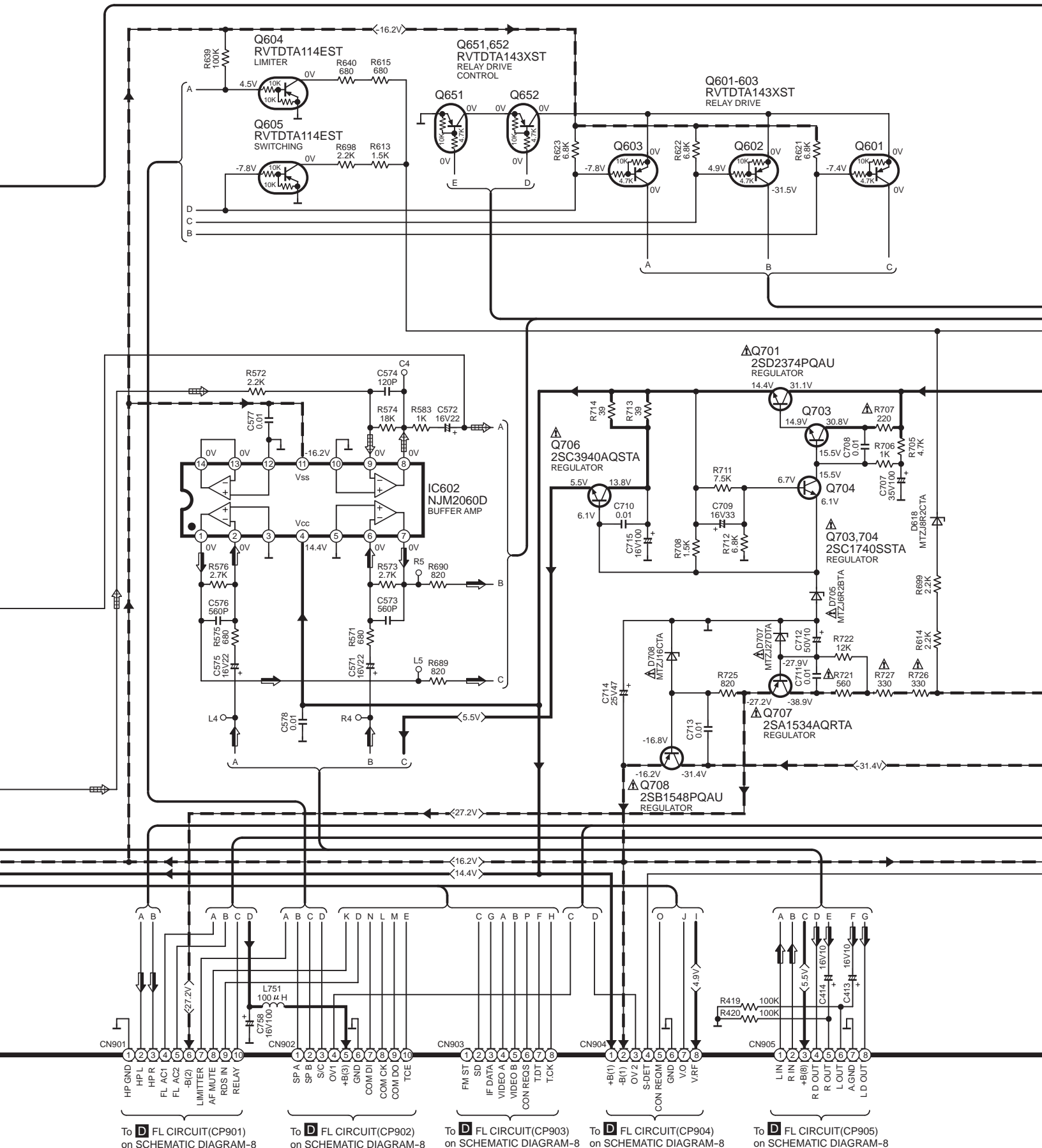
To **B** SURROUND
CIRCUIT(CN1202) on
SCHEMATIC DIAGRAM-5

To **B** SURROUND
CIRCUIT(CN1203) on
SCHEMATIC DIAGRAM-5

To **B** SURROUND
CIRCUIT(CN1204) on
SCHEMATIC DIAGRAM-5

SCHEMATIC DIAGRAM-13

: POSITIVE VOLTAGE LINE : FM/AM SIGNAL LINE
 : NEGATIVE VOLTAGE LINE : CENTER SP SIGNAL LINE



To **D** FL CIRCUIT(CP901) on SCHEMATIC DIAGRAM-8

To **D** FL CIRCUIT(CP902) on SCHEMATIC DIAGRAM-8





To **D** FL CIRCUIT(CP903) on SCHEMATIC DIAGRAM-8

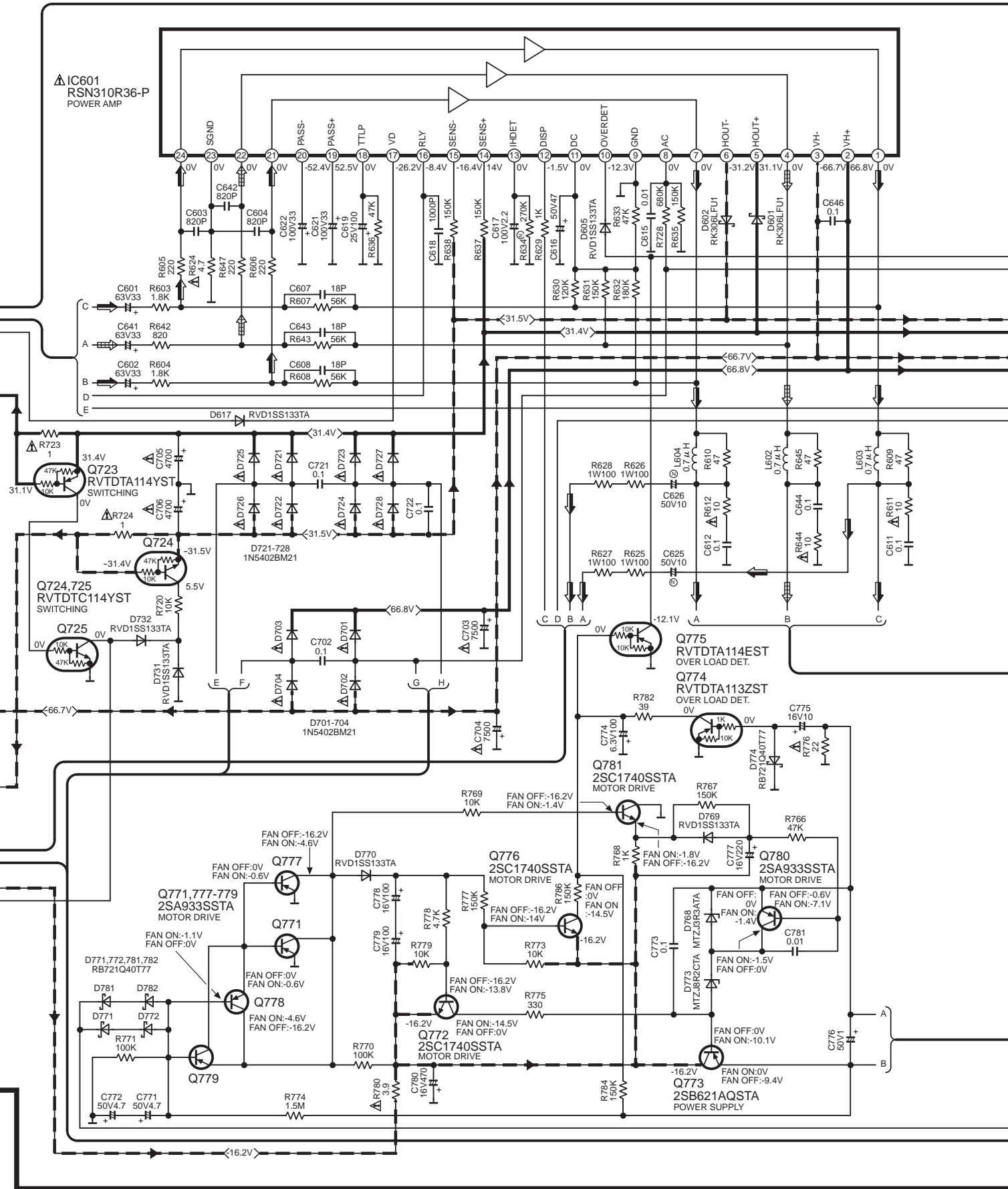
To **D** FL CIRCUIT(CP904) on SCHEMATIC DIAGRAM-8

To **D** FL CIRCUIT(CP905) on SCHEMATIC DIAGRAM-8

SCHEMATIC DIAGRAM-14

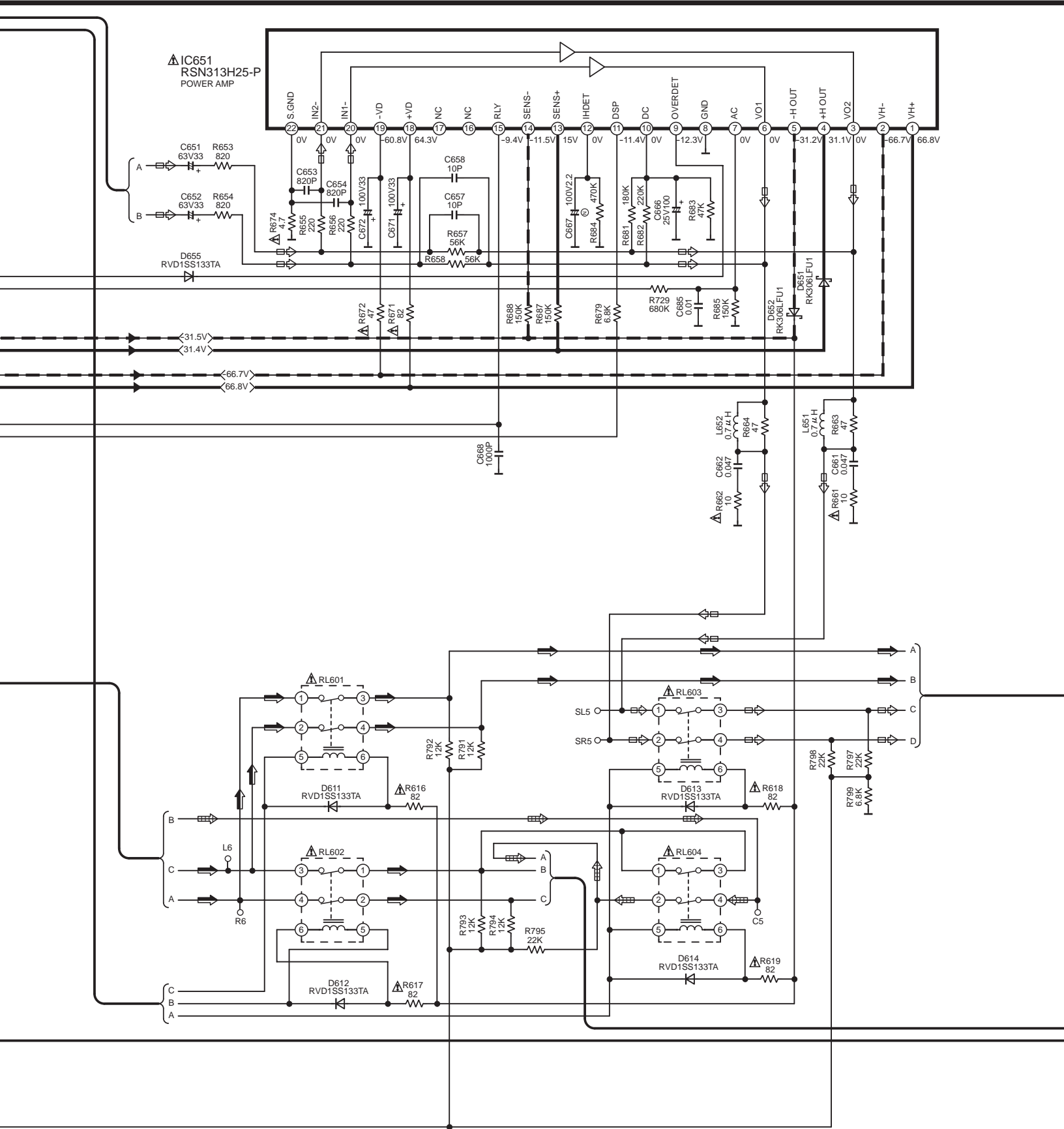
G MAIN CIRCUIT

 : POSITIVE VOLTAGE LINE
  : FM/AM SIGNAL LINE
 : NEGATIVE VOLTAGE LINE
  : CENTER SP SIGNAL LINE



SCHEMATIC DIAGRAM-15

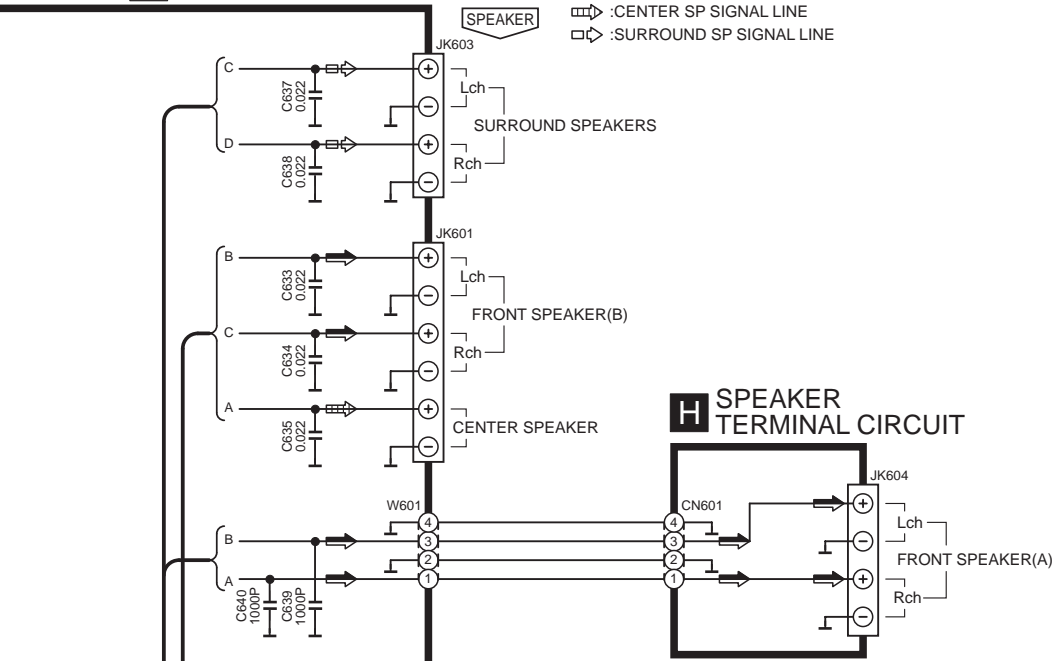
- : POSITIVE VOLTAGE LINE → : FM / AM SIGNAL LINE
- : NEGATIVE VOLTAGE LINE → : CENTER SP SIGNAL LINE □ : SURROUND SP SIGNAL LINE



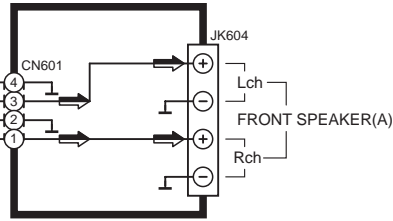
SCHEMATIC DIAGRAM-16

G MAIN CIRCUIT

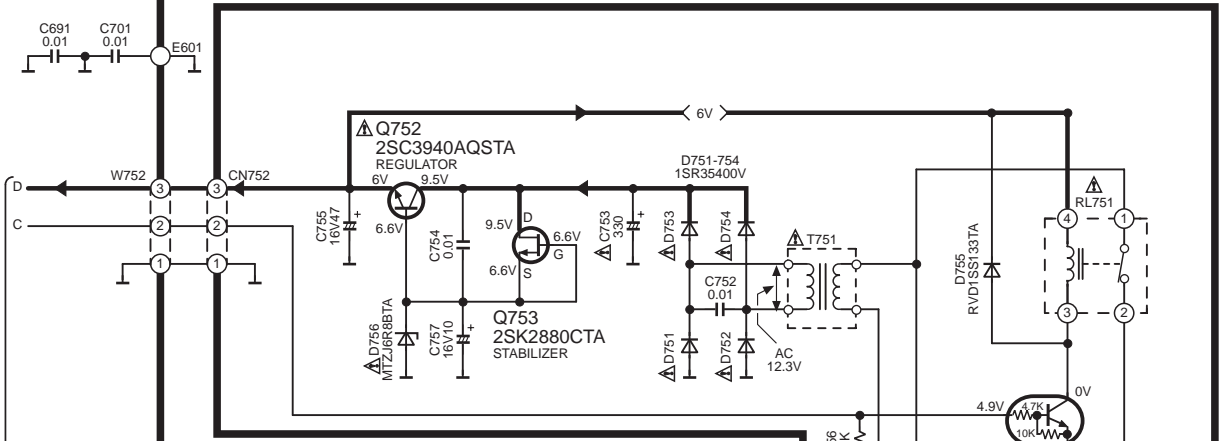
- : POSITIVE VOLTAGE LINE
- ⇨ : FM/ AM SIGNAL LINE
- ⇩ : CENTER SP SIGNAL LINE
- ⇧ : SURROUND SP SIGNAL LINE



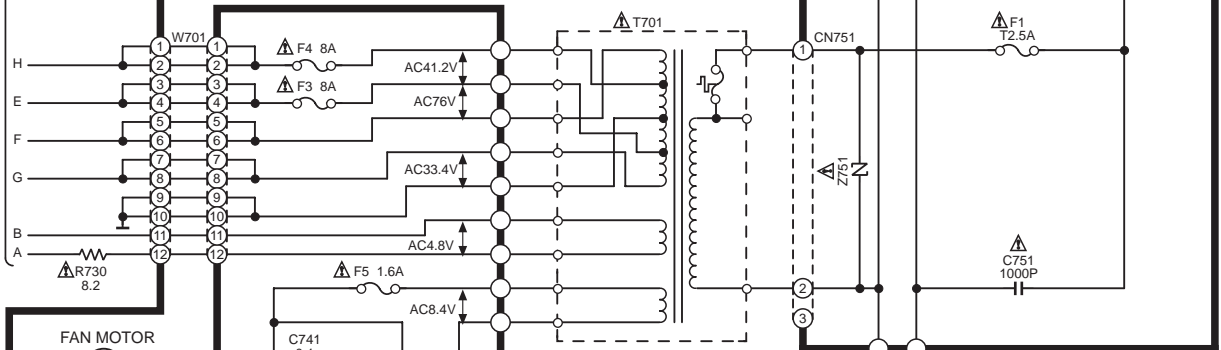
H SPEAKER TERMINAL CIRCUIT



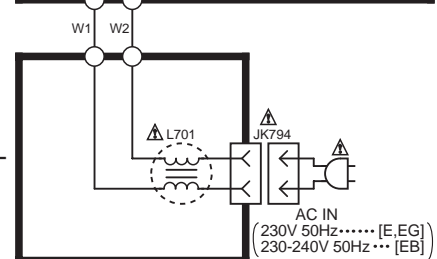
I POWER SUPPLY CIRCUIT



J POWER TRANSFORMER CIRCUIT



K AC IN/OUT CIRCUIT



To B SURROUND CIRCUIT (CN702) on SCHEMATIC DIAGRAM-5

Z101 TUNER UNIT(RAN0002EM)

: POSITIVE VOLTAGE LINE
 : FM SIGNAL LINE
 : AM SIGNAL LINE
 : FM OSC SIGNAL LINE
 : AM OSC SIGNAL LINE

