

Service Manual

[TOP NEXT](#)

AD0002043C2

Service Manual

- [COVER](#)
- [1 Before Repairs](#)
- [2 Protection Circuitry](#)
- [3 Accessories](#)
- [4 Caution for AC Main](#)
- [Leads](#)
- [5 Location of Controls](#)
- [6 Operation Checks and Component](#)
- [Replacement Procedures](#)
- [6.1 Checking for the AC IN](#)
- [P.C.B.](#)
- [6.2 Checking for the operation P.C.B.](#)
- [6.3 Checking for the main P.C.B.](#)
- [6.4 Replacement for the regulator transistor](#)
- [6.5 Replacement for the power IC](#)
- [7 To Supply Power Source](#)
- [8 Self-Diagnostic Mode](#)
- [8.1 To display the malfunction code](#)
- [8.2 To return to the normal display](#)
- [8.3 Display contents](#)
- [8.3.1 U70 CD, U70 DECK \(displayed automatically\)](#)
- [8.3.2 F61](#)
- [9 Schematic Diagram Notes](#)
- [10 Schematic Diagram](#)
- [11 Printed Circuit Board Diagram](#)
- [12 Type Illustration of ICs, Transistors and Diodes](#)
- [13 Wiring Connection Diagram](#)
- [14 Terminal Function of ICs](#)
- [14.1 IC901 \(LC8A524A5N28\):System Control/FL Drive](#)
- [15 Block Diagram](#)
- [16 Replacement Parts List](#)
- [17 Cabinet Parts Location](#)
- [18 Packaging](#)

Tuner/Amplifier

SA-EH560

Colour

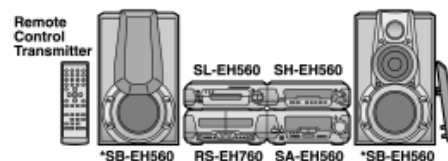
(S).....Silver Type

Areas

(E).....Europe.

(EB).....Great Britain.

(EG).....Germany, Italy, France, Netherlands and Denmark.



Because of unique interconnecting cables, when a component requires service, send or bring in the entire system.

System	SC-EH560
Sound Processor	SH-EH560
Tuner/Amplifier	SA-EH560
CD Player	SL-EH560
Cassette Deck	RS-EH760
Front Speakers*	SB-EH560

* : Made in Spain.

Specifications

Amplifier section

Power output (L/R both channel driven):

DIN 10 kHz, THD 1 % (High)	2 × 12 W (6 Ω)
1 kHz, THD 1 % (Mid)	2 × 12 W (6 Ω)
100 Hz, THD 1 % (Low)	2 × 36 W (6 Ω)
RMS 10 kHz, THD 10 % (High)	2 × 18 W (6 Ω)
1 kHz, THD 10 % (Mid)	2 × 18 W (6 Ω)
100 Hz, THD 10 % (Low)	2 × 54 W (6 Ω)

PMPO 1 kHz: 1,400 W
(High Ω, Mid 6 Ω, Low 6 Ω)

Total harmonic distortion:

Rated power at 1 kHz;	1 % (6 Ω)
Half power at 1 kHz;	0.1 % (6 Ω)

Load impedance:

Main (High);	6 Ω
(Mid);	6 Ω
(Low);	6 Ω

S.WOOFER:

Center frequency;	70 Hz
LEVEL (VOL-20 dB):	MID +8 dB MAX +12 dB

FM tuner section

Frequency range:	87.50 – 108.00 MHz (0.05 MHz steps)
Sensitivity:	1.8 μV (IHF usable)
S/N 26 dB:	1.5 μV
S/N (MONO):	70 dB (75 dB, IHF)
Antenna terminal(s):	75 Ω (unbalanced)

AM tuner section

Frequency range:	522 – 1629 kHz (9 kHz steps) 520 – 1630 kHz (10 kHz steps)
Sensitivity (S/N 20 dB):	500 μV/m

Timer section

Clock:	Quartz - lock type
Function:	Play timer (1 time, daily), Rec timer (1 time, daily), Sleep (120 min, 30 min intervals)
Setting intervals (Play/Rec):	1 minute – 23 hours 59 minutes (1 min intervals)

General

Power supply:	
(E), (EG) areas;	AC 230 V, 50 Hz
(EB) area;	AC 230 – 240 V, 50 Hz
Power consumption:	110 W
Standby;	
Normal mode	11 W
ECO mode	0.5 W
Dimensions (W×H×D):	293×118.5×346 mm
Mass:	4.3 kg

Notes: Specifications are subject to change without notice.
Mass and dimensions are approximate.
Total harmonic distortion is measured by the digital spectrum analyzer.

© 2000 Matsushita Electric Industrial Co., Ltd. All rights reserved. Unauthorized copying and distribution is a violation of law.

WARNING

This service information is designed for experienced repair technicians only and is not designed for use by the general public. It does not contain warnings or cautions to advise non-technical individuals of potential dangers in attempting to service a product. Products powered by electricity should be serviced or repaired only by experienced professional technicians. Any attempt to service or repair the product or products dealt with in this service information by anyone else could result in serious injury or death.

Table Of Contents

[COVER](#)

[1 Before Repairs](#)

[2 Protection Circuitry](#)

[3 Accessories](#)

[4 Caution for AC Main Leads](#)

[5 Location of Controls](#)

[6 Operation Checks and Component Replacement Procedures](#)

[6.1 Checking for the AC IN P.C.B.](#)

[6.2 Checking for the operation P.C.B.](#)

[6.3 Checking for the main P.C.B.](#)

[6.4 Replacement for the regulator transistor](#)

[6.5 Replacement for the power IC](#)

[7 To Supply Power Source](#)

[8 Self-Diagnostic Mode](#)

[8.1 To display the malfunction code](#)

[8.2 To return to the normal display](#)

[8.3 Display contents](#)

[8.3.1 U70 CD, U70 DECK\(displayed automatically\)](#)

[8.3.2 F61](#)

9 Schematic Diagram Notes

10 Schematic Diagram

11 Printed Circuit Board Diagram

12 Type Illustration of ICs, Transistors and Diodes

13 Wiring Connection Diagram

14 Terminal Function of ICs

14.1 IC901 (LC8A524A5N28):System Control/FL Drive

15 Block Diagram

16 Replacement Parts List

17 Cabinet Parts Location

18 Packaging

Service Manual

[TOP NEXT](#)

AD0002043C2

Service Manual

Tuner/Amplifier

SA-EH560

Colour

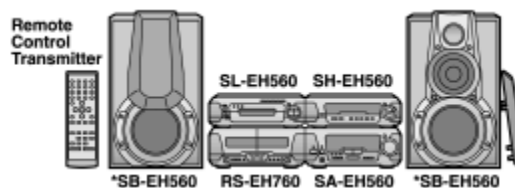
(S).....Silver Type

Areas

(E).....Europe.

(EB).....Great Britain.

(EG).....Germany, Italy, France, Netherlands and Denmark.



Because of unique interconnecting cables, when a component requires service, send or bring in the entire system.

System	SC-EH560
Sound Processor	SH-EH560
Tuner/Amplifier	SA-EH560
CD Player	SL-EH560
Cassette Deck	RS-EH760
Front Speakers*	SB-EH560

* : Made in Spain.

Specifications

Amplifier section

Power output (L/R both channel driven):

DIN 10 kHz, THD 1 % (High)	2 × 12 W (6 Ω)
1 kHz, THD 1 % (Mid)	2 × 12 W (6 Ω)
100 Hz, THD 1 % (Low)	2 × 36 W (6 Ω)
RMS 10 kHz, THD 10 % (High)	2 × 18 W (6 Ω)
1 kHz, THD 10 % (Mid)	2 × 18 W (6 Ω)
100 Hz, THD 10 % (Low)	2 × 54 W (6 Ω)

PMPO 1 kHz: 1,400 W
(High Ω, Mid 6 Ω, Low 6 Ω)

Total harmonic distortion:

Rated power at 1 kHz;	1 % (6 Ω)
Half power at 1 kHz;	0.1 % (6 Ω)

Load impedance:

Main (High);	6 Ω
(Mid);	6 Ω
(Low);	6 Ω

S.WOOFER:

Center frequency;	70 Hz
LEVEL (VOL-20 dB):	MID +8 dB MAX +12 dB

FM tuner section

Frequency range:	87.50 – 108.00 MHz (0.05 MHz steps)
Sensitivity:	1.8 μV (IHF usable)
S/N 26 dB:	1.5 μV
S/N (MONO):	70 dB (75 dB, IHF)
Antenna terminal(s):	75 Ω (unbalanced)

AM tuner section

Frequency range:	522 – 1629 kHz (9 kHz steps) 520 – 1630 kHz (10 kHz steps)
Sensitivity (S/N 20 dB):	500 μV/m

Timer section

Clock:	Quartz - lock type
Function:	Play timer (1 time, daily), Rec timer (1 time, daily), Sleep (120 min, 30 min intervals)
Setting intervals (Play/Rec):	1 minute – 23 hours 59 minutes (1 min intervals)

General

Power supply:	
(E), (EG) areas;	AC 230 V, 50 Hz
(EB) area;	AC 230 – 240 V, 50 Hz
Power consumption:	110 W
Standby;	
Normal mode	11 W
ECO mode	0.5 W
Dimensions (W×H×D):	293×118.5×346 mm
Mass:	4.3 kg

Notes: Specifications are subject to change without notice.
Mass and dimensions are approximate.
Total harmonic distortion is measured by the digital spectrum analyzer.

1 Before Repairs

[TOP](#) [PREVIOUS](#) [NEXT](#)

1. Turn off the power supply. Using a 10Ω, 10 W resistor, connect both ends of power supply capacitors (C701, C703 and C702, C704) in order to discharge the voltage.
2. Before turning the power supply on, after completion of repair, slowly apply the primary voltage by using a power supply voltage controller to make sure that the consumed current at 50 Hz in NO SIGNAL mode should be shown below with respect to supply voltage 230/240 V.

Power supply voltage	AC 230 V	AC 240 V
Consumed current 50 Hz	70 ~ 250 mA	

•@

[TOP](#) [PREVIOUS](#) [NEXT](#)

2 Protection Circuitry

[TOP](#) [PREVIOUS](#) [NEXT](#)

The protection circuitry may have operated if either of the following conditions is noticed:

No sound is heard when the power is switched ON.

Sound stops during a performance.

The functions of this circuitry is to prevent circuitry damage if, for example, the positive and negative speaker connection wires are shorted, or if speaker system with an impedance less than the indicated rated impedance of this unit are used.

If this occurs, follow the procedure outlined below.

1. Switch OFF the power.
2. Determine the cause of the problem and correct it.
3. Switch ON the power once again.

Note:

When the protection circuitry functions, the unit will not operate unless the power is first switched OFF and then ON again.

•@

[TOP](#) [PREVIOUS](#) [NEXT](#)

3 Accessories

[TOP](#) [PREVIOUS](#) [NEXT](#)

AC power supply cord for (E),(EG) areas/(RJA0019-X).....1 pc.



AC power supply cord for (EB) area/(RJA0053-2X).....1 pc.



AM loop antenna set/(RSA0022-J).....1 pc.



FM indoor antenna/(RSA0007).....1 pc.



Speaker cords/(REE0499).....2 pcs./ (REE0984).....2 pcs./ (REE0985).....2 pcs.



Remote control transmitter/(RAK-EHA29WH).....1 pc.



Remote control batteries/(R6/LR6,“AA”, UM-3).....2 pcs.

Note: These are available on sales route.



Antenna plug adaptor for (EB) area only/(SJP9009).....1 pc.



•@

[TOP](#) [PREVIOUS](#) [NEXT](#)

4 Caution for AC Main Leads

[TOP](#) [PREVIOUS](#) [NEXT](#)

(For United Kingdom)

("EB" area code model only)

For your safety, please read the following text carefully.

This appliance is supplied with a moulded three pin mains plug for your safety and convenience.

A 5-ampere fuse is fitted in this plug.

Should the fuse need to be replaced please ensure that the replacement fuse has a rating of 5-ampere and that it is approved by ASTA or BSI to BS1362.

Check for the ASTA mark  or the BSI mark  on the body of the fuse.

If the plug contains a removable fuse cover you must ensure that it is refitted when the fuse is replaced.

If you lose the fuse cover the plug must not be used until a replacement cover is obtained.

A replacement fuse cover can be purchased from your local dealer.

CAUTION!

IF THE FITTED MOULDED PLUG IS UNSUITABLE FOR THE SOCKET OUTLET IN YOUR HOME THEN THE FUSE SHOULD BE REMOVED AND THE PLUG CUT OFF AND DISPOSED OF SAFELY. THERE IS A DANGER OF SEVERE ELECTRICAL SHOCK IF THE CUT OFF PLUG IS INSERTED INTO ANY 13-AMPERE SOCKET.

If a new plug is to be fitted please observe the wiring code as shown below.

If in any doubt please consult a qualified electrician.

IMPORTANT


The wires in this mains lead are coloured in accordance with the following code:

Blue: Neutral, Brown: Live.

As these colours may not correspond with the coloured markings identifying the terminals in your plug, proceed as follows:

The wire which is coloured Blue must be connected to the terminal which is marked with the letter N or coloured Black or Blue.

The wire which is coloured Brown must be connected to the terminal which is marked with the letter L or coloured Brown or Red.

WARNING: DO NOT CONNECT EITHER WIRE TO THE EARTH TERMINAL WHICH IS MARKED WITH THE LETTER E, BY THE EARTH SYMBOL  OR COLOURED GREEN OR GREEN/YELLOW.

THIS PLUG IS NOT WATERPROOF—KEEP DRY.

Before use

Remove the connector cover.

How to replace the fuse

The location of the fuse differ according to the type of AC mains plug (figures A and B). Confirm the AC mains plug fitted and follow the instructions below.

Illustrations may differ from actual AC mains plug.

1. Open the fuse cover with a screwdriver.

Figure A

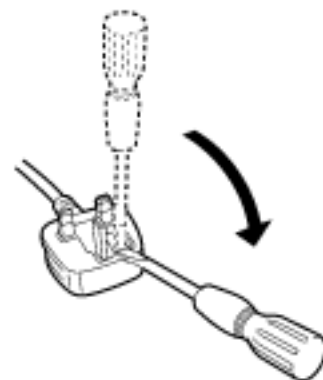
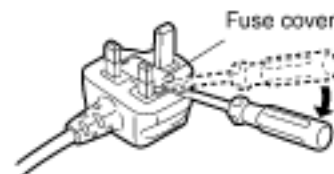


Figure B

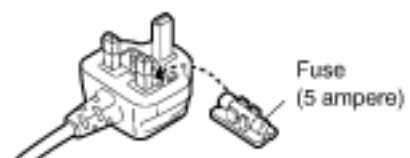


2. Replace the fuse and close or attach the fuse cover.

Figure A



Figure B



5 Location of Controls

[TOP](#) [PREVIOUS](#) [NEXT](#)



•@

[TOP](#) [PREVIOUS](#) [NEXT](#)

6 Operation Checks and Component Replacement/Procedures

[TOP](#) [PREVIOUS](#) [NEXT](#)

This section describes procedures for checking the operation of the major printed circuit boards and replacing the main components.

For reassembly after operation checks or replacement, reverse the respective procedures. Special reassembly procedures are described only when required.

/

[6.1 Checking for the AC IN P.C.B.](#)

[6.2 Checking for the operation P.C.B.](#)

[6.3 Checking for the main P.C.B.](#)

[6.4 Replacement for the regulator transistor](#)

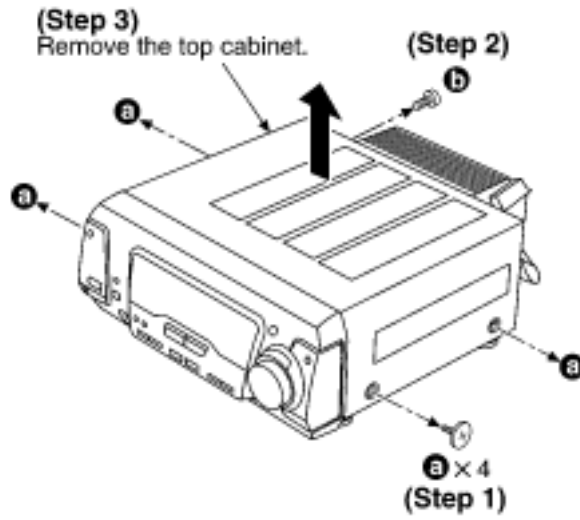
[6.5 Replacement for the power IC](#)

•@

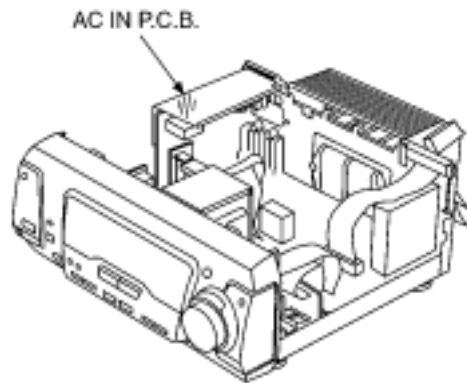
[TOP](#) [PREVIOUS](#) [NEXT](#)

6.1 Checking for the AC IN P.C.B.

[TOP](#) [PREVIOUS](#) [NEXT](#)

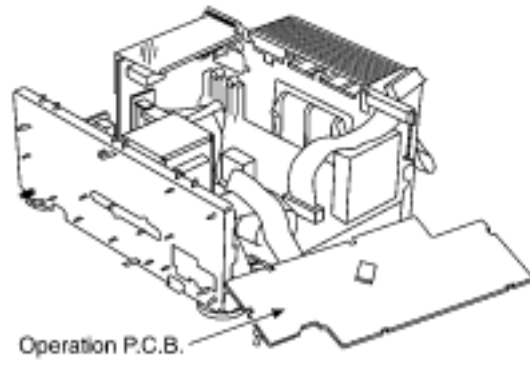


Check the AC IN P.C.B. as shown below.



•@

[TOP](#) [PREVIOUS](#) [NEXT](#)



•@

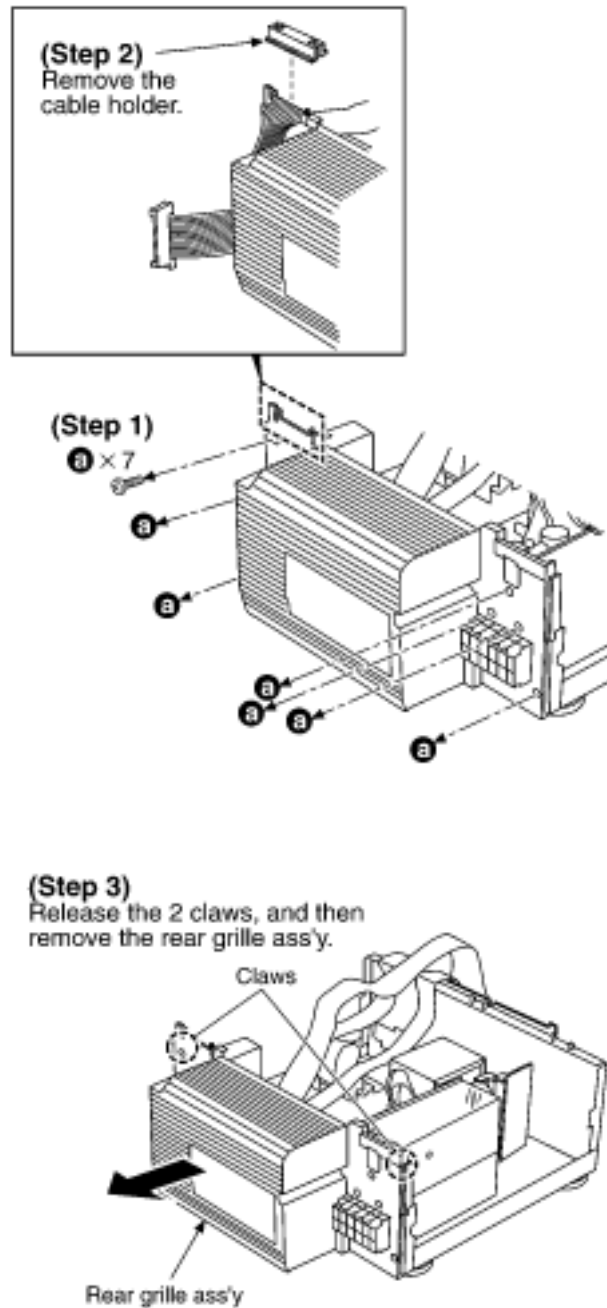
[TOP](#) [PREVIOUS](#) [NEXT](#)

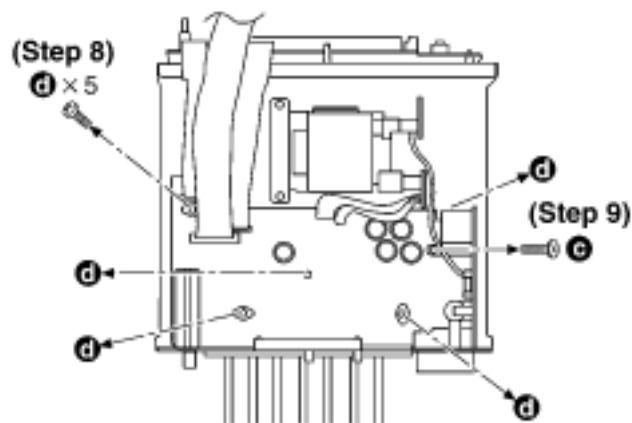
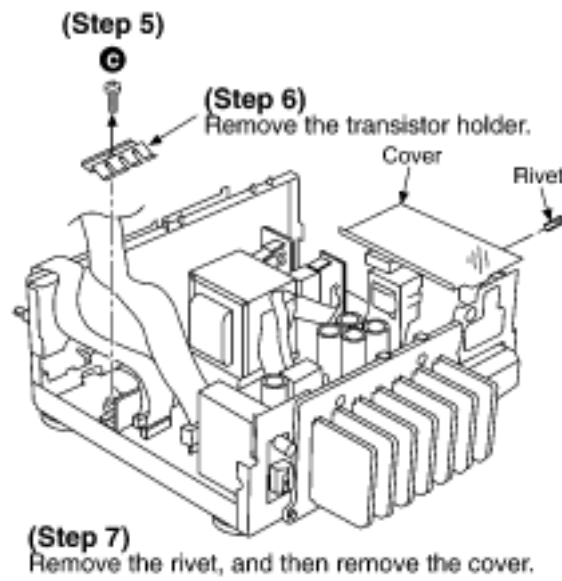
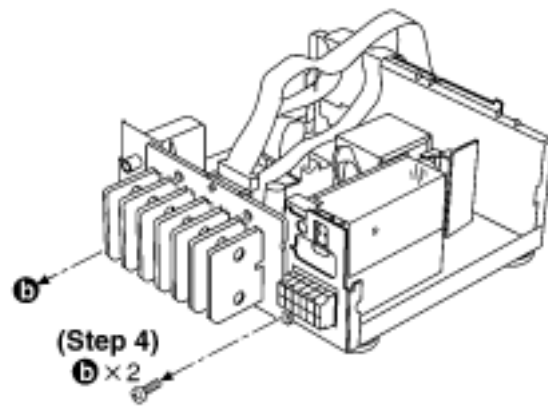
6.3 Checking for the main P.C.B.

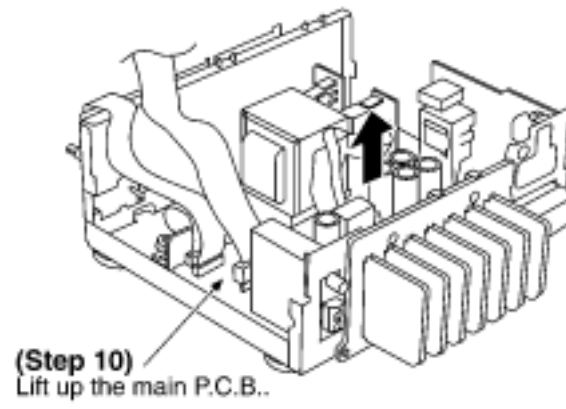
[TOP](#) [PREVIOUS](#) [NEXT](#)

Follow the (Step 1) - (Step 3) of item 6.1.

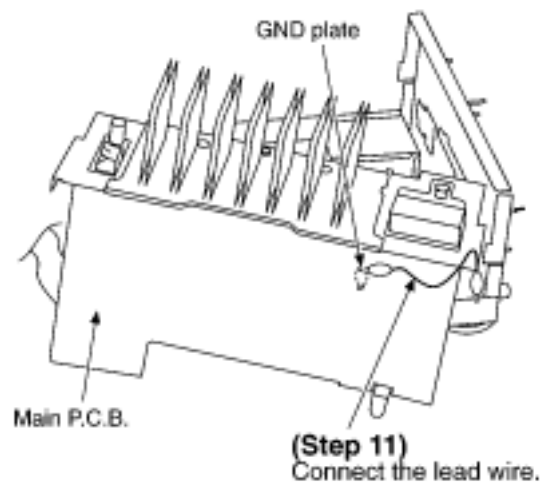
Follow the (Step 1) - (Step 6) of item 6.2.







Check the main P.C.B. as shown below.



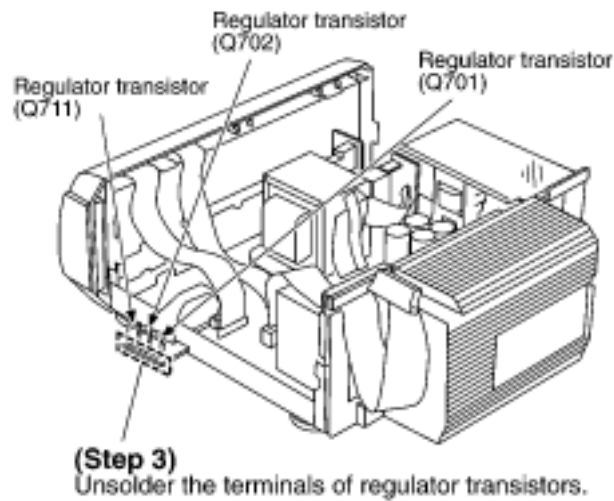
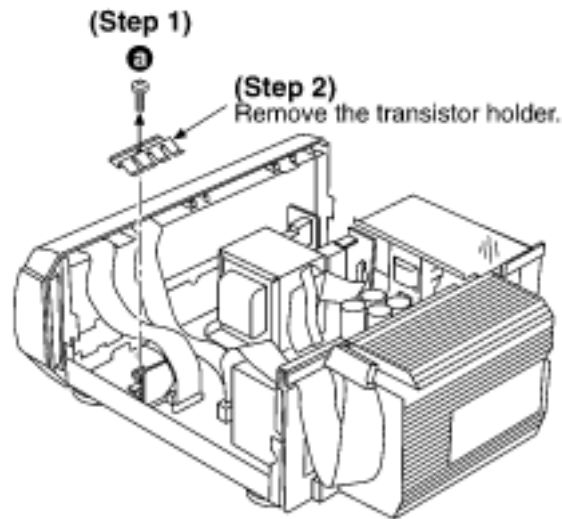
•@

[TOP](#) [PREVIOUS](#) [NEXT](#)

6.4 Replacement for the regulator transistor

[TOP](#) [PREVIOUS](#) [NEXT](#)

Follow the (Step 1) - (Step 3) of item 6.1.



•@

[TOP](#) [PREVIOUS](#) [NEXT](#)

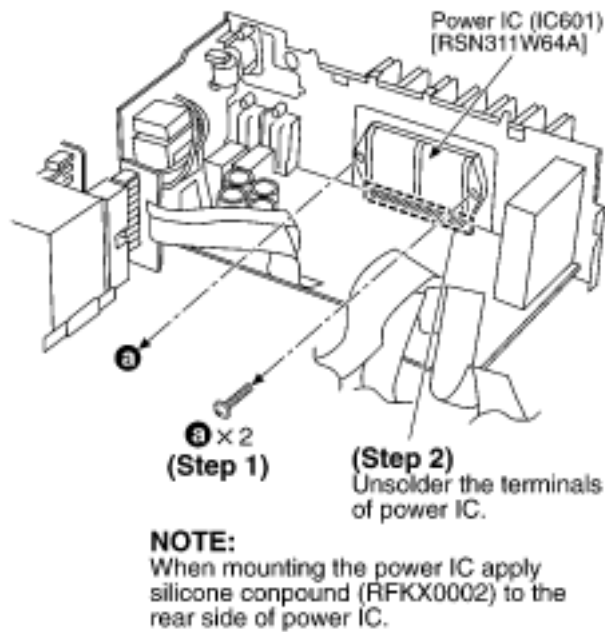
6.5 Replacement for the power IC

[TOP](#) [PREVIOUS](#) [NEXT](#)

Follow the (Step 1) - (Step 3) of item 6.1.

Follow the (Step 1) - (Step 6) of item 6.2.

Follow the (Step 1) - (Step 10) of item 6.3.



•@

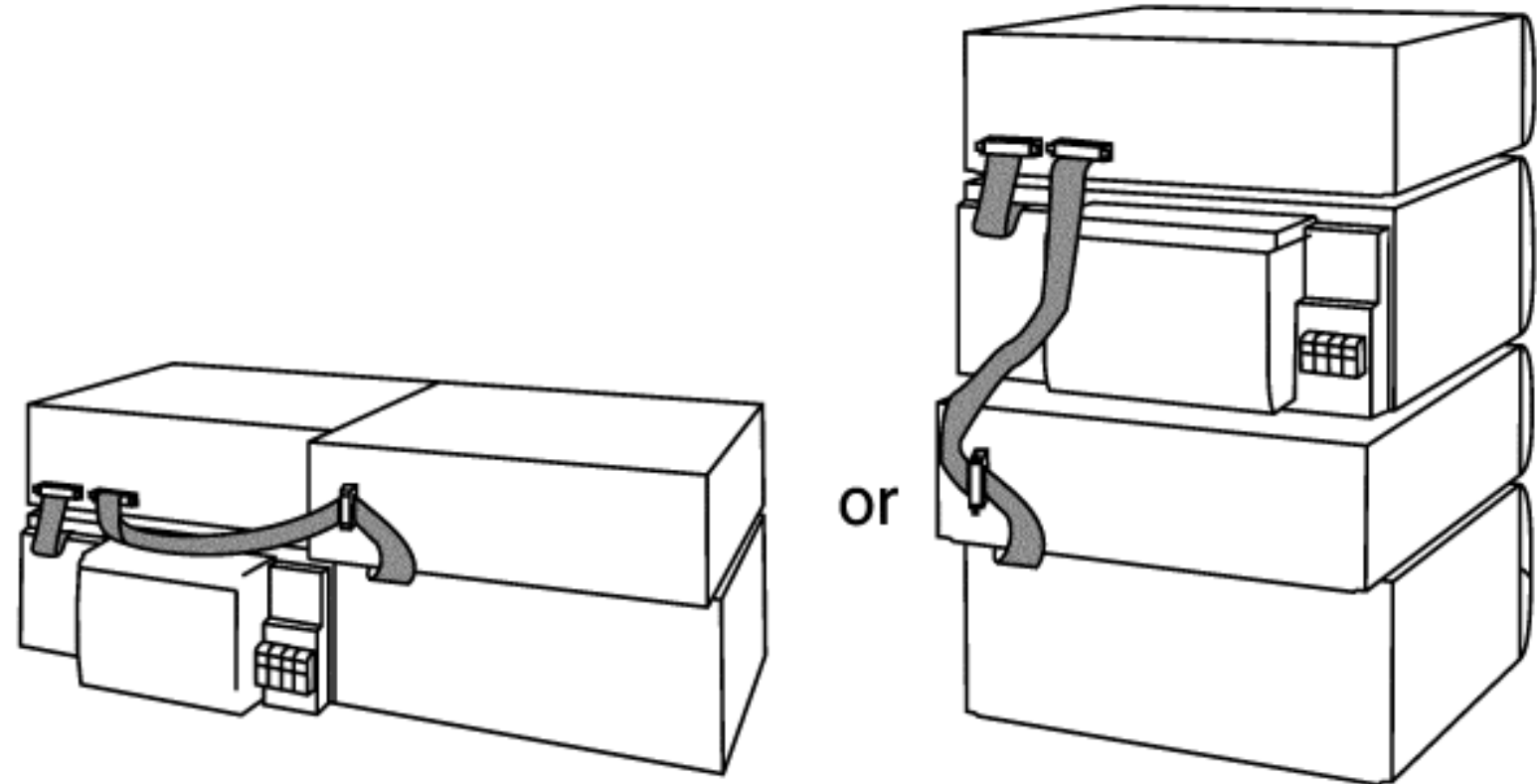
[TOP](#) [PREVIOUS](#) [NEXT](#)

7 To Supply Power Source

[TOP](#) [PREVIOUS](#) [NEXT](#)

This unit SA-EH560 is designed to operate on power supplied form system connected./For system connection, refer to [Fig. 7-1](#).

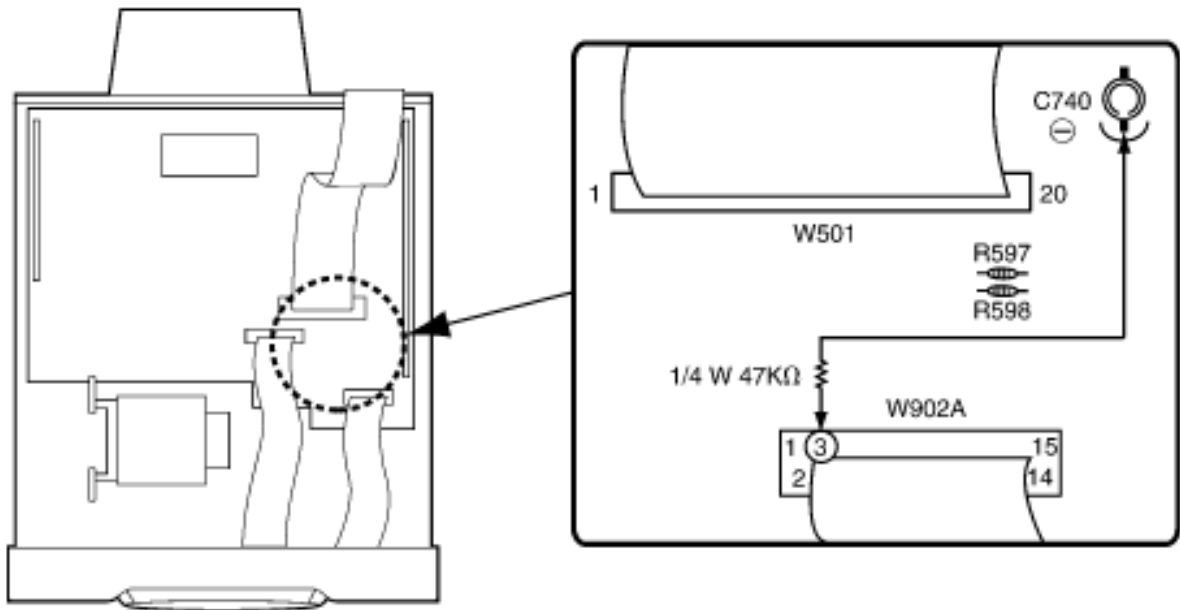
Fig. 7-1.



When the unit SA-EH560 has to test and service alone, use the following method to supply power source.

1. Short the section between [W902A Pin 3](#) and [C740 \(-\)](#) (GND). (Refer to [Fig. 7-2](#).)
2. Connect this unit to an AC power supply cord./ (This unit come to stand-by mode.)
3. Turn the unit ON.

Fig. 7-2.



Notes:

Use only this method when checking the voltage etc../In case of checking the operations, use the system connections to supply power source.

•@

[TOP](#) [PREVIOUS](#) [NEXT](#)

8 Self-Diagnostic Mode

[TOP](#) [PREVIOUS](#) [NEXT](#)

This unit is equipped with a self-diagnostic function which, in the event of a malfunction, automatically displays a code indicating the nature of the malfunction.

Use this self-diagnostic function when servicing the unit.

[8.1 To display the malfunction code](#)

[8.2 To return to the normal display](#)

[8.3 Display contents](#)

[8.3.1 U70 CD, U70 DECK\(displayed automatically\)](#)

[8.3.2 F61](#)

•@

[TOP](#) [PREVIOUS](#) [NEXT](#)

8.1 To display the malfunction code

[TOP](#) [PREVIOUS](#) [NEXT](#)

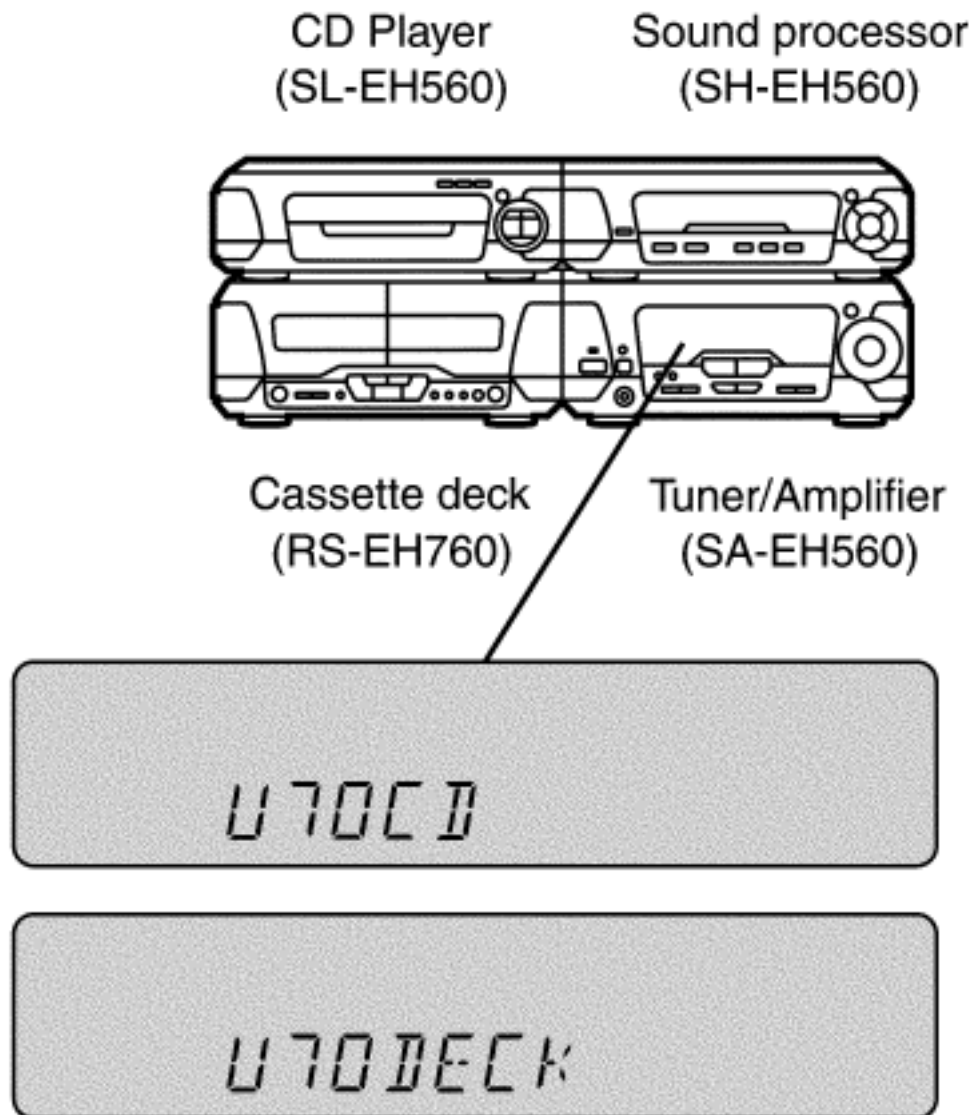
U70 CD:/U70 DECK:

Automatically displays on the tuner/amplifier when a malfunction occurs. Refer to [Fig. 8-1](#).

F61:

Automatically displays on the tuner/amplifier when a malfunction occurs. Refer to [Fig. 8-1](#).

Fig. 8-1.



8.2 To return to the normal display

[TOP](#) [PREVIOUS](#) [NEXT](#)

1. [For U70 CD/U70 DECK](#)
2. Press an any operation button on the tuner/amplifier.
3. To re-display the code, switch the power off (POWER STANDBY button), and then switch power back on again
4. [For F61](#)
5. If F61 is displayed, the power will automatically be switched off and the standby indicator will light up.
6. F61 will be displayed for 3 seconds, and then the clock will be displayed.
7. To re-display the code, switch the power on. F61 will be re-displayed, and then after 3 seconds the clock will be displayed and the power will automatically switch off.

•@

[TOP](#) [PREVIOUS](#) [NEXT](#)

8.3 Display contents

[TOP](#) [PREVIOUS](#) [NEXT](#)

[8.3.1 U70 CD, U70 DECK\(displayed automatically\)](#)

[8.3.2 F61](#)

•@

[TOP](#) [PREVIOUS](#) [NEXT](#)

8.3.1 U70 CD, U70 DECK/(displayed automatically)

[TOP](#) [PREVIOUS](#) [NEXT](#)

Problem or condition

A bus-line communications error has occurred as a result of the flat cables being inserted incorrectly, thus preventing the system from operating.

1. If U70 is displayed on the tuner/amplifier, the tape deck or CD Player cannot be operated by remote control.

Correction Procedure

1. To check for correct insertion of flat cables.
2. Insert each connector until you hear a click.
3. Insert the flat cables at the back of the unit in the order indicated. Refer to [Fig. 8-2](#).

Make sure the white side of the cable is on your right side. Refer to [Fig. 8-3](#).

Fig. 8-2.

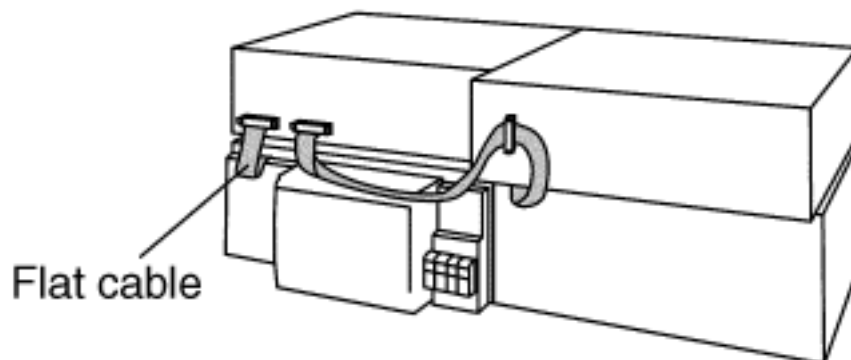
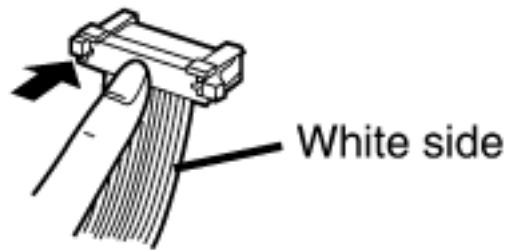


Fig. 8-3.



4. Breakage of flat cable. (Check and replace.)
5. If the problem is not corrected by items 1 and 2 above, this indicates a faulty IC.

[SA-EH560:](#)

IC901 (LC8A524A5N28)

[SL-EH560:](#)

IC451 (M38504M6200F)

[RS-EH760:](#)

IC701 (M38503M2400F)

Check these ICs and replace.

•@

[TOP](#) [PREVIOUS](#) [NEXT](#)

8.3.2 F61

[TOP](#) [PREVIOUS](#) [NEXT](#)

Problem or condition

When the power switch is switched on, it automatically switches back off, making it impossible to switch power on.

Correction procedure

Faulty Tuner/Amplifier (SA-EH560) output IC (IC601). (When a DC voltage is applied to speaker terminals.)

- @

[TOP](#) [PREVIOUS](#) [NEXT](#)

9 Schematic Diagram Notes

[TOP](#) [PREVIOUS](#) [NEXT](#)

This schematic diagram may be modified at any time with the development of new technology.

Notes:

S901:

Power Standby/on switch (



S902:

ECO mode switch (MODE)

S903:

Clock/timer, demo switch/(CLOCK/TIMER,



S904:

Play timer/record timer switch/(



S905:

FM mode switch (FM AUTO/MONO)

S906:

Tuning mode switch (TUNING MODE)

S907:

Set switch (SET)

S908:

Source input switch (INPUT SELECTOR)

S910:

Tuning down switch (TUNING,

V)

S911:

Tuning up switch (TUNING,

^)

S912:

Tuner/band switch (TUNER/BAND)

S913:

Super woofer switch (S.WOOFER)

S914:

RDS display mode PS switch/(RDS DISP MODE-PS)/ [For (E),(EG) areas]

S915:

RDS display mode PTY switch/(RDS DISP MODE-PTY)/ [For (E),(EG) areas]

VR901:


Volume control VR (VOLUME)

Indicated voltage values are the standard values for the unit measured by the DC electronic circuit tester (high-impedance) with the chassis taken as standard. Therefore, there may exist some errors in the voltage values, depending on the internal impedance of the DC circuit tester.

No mark

: Power ON (FM or AM)

Important safety notice:

Components identified by  mark have special characteristics important for safety.

Furthermore, special parts which have purposes of fire-retardant (resistors), high-quality sound (capacitors), low-noise (resistors), etc. are used.

When replacing any of components, be sure to use only manufacturer's specified parts shown in the parts list.

Caution!

IC and LSI are sensitive to static electricity.

Secondary trouble can be prevented by taking care during repair.

Cover the parts boxes made of plastics with aluminum foil.

Ground the soldering iron.

Put a conductive mat on the work table.

Do not touch the legs of IC or LSI with the fingers directly.

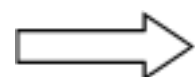
Voltage and signal line



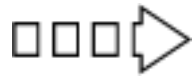
: Positive voltage line



: Negative voltage line



: FM signal line



: FM OSC signal line



: AM signal line



: AM OSC signal line



: Source signal line



: Low sp. drive signal line

•@

[TOP](#) [PREVIOUS](#) [NEXT](#)

10 Schematic Diagram

[TOP](#) [PREVIOUS](#) [NEXT](#)



•@

[TOP](#) [PREVIOUS](#) [NEXT](#)

11 Printed Circuit Board Diagram

[TOP](#) [PREVIOUS](#) [NEXT](#)



•@

[TOP](#) [PREVIOUS](#) [NEXT](#)

12 Type Illustration of ICs, Transistors and Diodes

[TOP](#) [PREVIOUS](#) [NEXT](#)



•@

[TOP](#) [PREVIOUS](#) [NEXT](#)

13 Wiring Connection Diagram

[TOP](#) [PREVIOUS](#) [NEXT](#)



•@

[TOP](#) [PREVIOUS](#) [NEXT](#)

14 Terminal Function of ICs

[TOP](#) [PREVIOUS](#) [NEXT](#)

[14.1 IC901 \(LC8A524A5N28\):System Control/FL Drive](#)

•@

[TOP](#) [PREVIOUS](#) [NEXT](#)

14.1 IC901 (LC8A524A5N28):/System Control/FL Drive

[TOP](#) [PREVIOUS](#) [NEXT](#)

Pin No.	Terminal Name	I/O	Function
1	CHECK	O	Clock check signal output
2	LC72 DI	O	PLL data signal output
3	LC72 CE	O	Chip enable signal output
4	LC72 DO/ST	I	IF count data/stereo detect signal input
5	LC72 CK	O	Clock signal output
6	RL1	-	Not used, open
7	RL2		
8	ST/AV.6CH	-	Not used, open
9	SEL TUNER	-	Tuner select signal output (Not used, open)
10	SEL/ TUNER	O	Tuner select signal output
11	AC IN	I	Power failure detect signal input
12	RESET	I	Reset signal input
13	X IN	I	Oscillator connected terminal (32.7 kHz)
14	X OUT	O	
15	VSS	-	GND terminal
16	XC IN	I	Oscillator connected terminal (6 MHz)
17	XC OUT	O	
18	VDD1	I	Power supply terminal
19	KEY TU	I	Operation key signal input
20	KEY KARAOKE	I	Operation key signal input
21	SH REQ	I	Request signal input from Sound Processor
22	NC(GND)	-	Not used, connected to GND
23	VR JOGB	I	Volume control signal input
24	VR JOGA		
25	MIC DET	I	Microphone connecting detect signal input (Connected to VDD via resistor)
26	HP SW	I	Headphone connecting detect signal input
27	RDS CLK	I	RDS clock signal input
28	RDS DATA	I	RDS data signal input

29	REMOCON	I	Remote control signal input
30	NC	-	Not used, open
31 37	7G 1G	O	Grid signal output
38 39	NC	-	Not used, open
40 45	P1 P6	O	Segment signal output
46	VDD3	I	Power supply terminal
47 50	P7 P10	O	Segment signal output
51	-VP	I	Power supply terminal (negative)
52 71	P11 P30	O	Segment signal output
72	VDD4	I	Power supply terminal
73 77	P31 P35	O	Segment signal output
78 79	REG IN0 REG IN1	I	Area select signal input
80	STANDBY	O	LED (STANDBY) drive signal output
81	TIMER	O	LED (TIMER) drive signal output
82	S.W LED	O	LED (S.WOOFER) drive signal output
83	LOUNGE	-	LED (LOUNGE) drive signal output (Not used, open)
84	CHORUS	-	LED (CHORUS) drive signal output (Not used, open)
85	MUTE	O	Muting signal output
86	POWER	O	Power control signal output
87	/ECO	O	ECO signal output
88	MUTE2	O	Muting signal output
89	VSS2	-	GND terminal
90	VDD2	I	Power supply terminal
91 92	NC	-	Not used, open
93	RL4	-	Not used, open
94	SH CS	O	Chip select signal output for Sound Processor

95	SH DO	O	Serial communication signal to Sound Processor (Data signal output)
96	SH DI	I	Serial communication signal to Sound Processor (Data signal input)
97	SH CK	I	Serial communication signal to Sound Processor (Clock signal input)
98	E DET	I	Unusual condition detect signal input
99	CR TIMER	I/O	TIME CONSTANT terminal
100	SD	I	Station detector signal input from tuner circuit

•@

[TOP](#) [PREVIOUS](#) [NEXT](#)

15 Block Diagram

[TOP](#) [PREVIOUS](#) [NEXT](#)



•@


[TOP](#) [PREVIOUS](#) [NEXT](#)

16 Replacement Parts List

[TOP](#) [PREVIOUS](#) [NEXT](#)

Notes:

Important safety notice:

Components identified by  mark have special characteristics important for safety.

Furthermore, special parts which have purposes of fire-retardant (resistors), high-quality sound (capacitors), low-noise (resistors), etc. are used.

When replacing any of components, be sure to use only manufacture's specified parts shown in the parts list.

The<IA> <IB> <IC> <ID> marks in Remarks indicate language of instruction manual.

<IA>: Spanish, Swedish

<IB>: English

<IC>: German, French, Italian



<ID>: Netherlands, Danish

The parenthesized indications in the Remarks columns specify the areas. (Refer to the cover page for area.)







The marking [RTL] indicates that Retention Time is Limited for this item. After the discontinuation of this assembly in production, the item will continue to be available for a specific period of time. The retention period of availability is dependent on the type of assembly, and in accordance with the laws governing part and product retention. After the end of this period, the assembly will no longer be available.



All parts are supplied by MESA.












Ref. No.	Part No.	Part Name& Description	Pcs	Remarks
<u>1</u>	RKM0395C-S	CABINET	1	
2	RHD30007-S	SCREW	4	






3	XTBS3+10JFZ1	SCREW	1	
<u>4</u>	REX0967	WIRE ASS'Y	1	
<u>5</u>	RMZ0339	ZENNER COVER	1	
<u>6</u>	RGW0343-S	KNOB,VOLUME	1	
<u>7</u>	RHN90001	NUT	1	
<u>8</u>	RKA0106-N	FOOT RING	4	
<u>9</u>	RKF0606A-K	BACK GRILL	1	
<u>10</u>	RKW0581-1V	FL WINDOW	1	
<u>11</u>	RMN0427	CABLE HOLDER	1	
<u>12</u>	RYP0946B-S	FRONT PANEL	1	(EB)
12	RYP0946G-S	FRONT PANEL	1	(E,EG)
<u>12-1</u>	RGB0025-A	TECHNICS BADGE	1	
<u>13</u>	SHG1654	RUBBER	4	
14	XTB3+10JFZ	SCREW	10	
15	XTB3+8JFZ	SCREW	11	
16	XTW3+15T	SCREW	2	
17	XTBS3+8JFZ1	SCREW	2	
<u>18</u>	RLBT4001-N	FERAITO COA	1	
<u>19</u>	RMN0582	PT HOLDER	1	
<u>20</u>	SHR9112	RIVET	1	
21	XTB3+20JFZ	SCREW	1	
<u>A1</u>	RAK-EHA29WH	REMOTE CONTROLLER	1	
<u>A1-1</u>	RKK0123-H	BATTERY COVER	1	
<u>A2</u>	REE0499	SPEAKER CORD	2	
<u>A3</u>	REE0984	SPEAKER CORD	2	
<u>A4</u>	REE0985	SPEAKER CORD	2	
<u>A5</u>	RJA0019-X	AC POWER SUPPLY CORD	1	(E,EG) 
A5	RJA0053-2X	AC POWER SUPPLY CORD	1	(EB) 
<u>A6</u>	RQA0117	WARRANTY CARD	1	
<u>A7</u>	RQCB0169	SERVICE CENTER LIST	1	
<u>A8</u>	RQT5354-E	OPERATING INSTRUCTIONS	1	(E)<IA>
A8	RQT5355-B	OPERATING INSTRUCTIONS	1	(EB)/<IB>










A8	RQT5352-D	OPERATING INSTRUCTIONS	1	(EG)/<IC>
A8	RQT5353-H	OPERATING INSTRUCTIONS	1	(EG)/<ID>
A9	RSA0007	FM INDOOR ANTENNA	1	
A10	RSA0022-J	AM LOOP ANTENNA	1	
A11	SJP9009	ANT.ADAPTOR	1	(EB)
A12	RQCA0736	SETTING GUIDE	1	(EB)
C151	ECEA1CKS100	16V 10U	1	(E,EG)
C152	ECBT1H331KB5	50V 330P	1	(E,EG)
C153	ECBT1H102KB5	50V 1000P	1	(E,EG)
C154	ECBT1H561KB5	50V 560P	1	(E,EG)
C155	ECBT1H102KB5	50V 1000P	1	(E,EG)
C156,57	ECBT1H470J5	50V 47P	2	(E,EG)
C158,59	RCE0JKA470BG	6.3V 47U	2	(E,EG)
C160	ECBT1H102KB5	50V 1000P	1	(E,EG)
C395,96	ECBT1H473KB5	50V 0.047U	2	
C509,10	ECBT1H103KB5	50V 0.01U	2	
C550	ECBT1C103NS5	16V 0.01U	1	
C551	ECA1HAK2R2XB	50V 2.2U	1	
C552	ECBT1H103KB5	50V 0.01U	1	
C553	ECEA1HKAR22B	50V 0.22U	1	
C554	ECA1AAK221XH	10V 220U	1	
C564	ECA1CAK100XB	16V 10U	1	
C601,02	ECA1CAK100XB	16V 10U	2	
C603,04	ECBT1H471KB5	50V 470P	2	
C605,06	ECBT1H102KB5	50V 1000P	2	
C607,08	ECBT1H471KB5	50V 470P	2	
C609,10	ECBT1H470J5	50V 47P	2	
C611,12	ECBT1H150JC5	50V 15P	2	
C613,14	ECBT1H470J5	50V 47P	2	
C616	ECEA1HKNR47B	50V 0.47U	1	
C617,18	ECKR2H103ZU	500V 0.01U	2	
C619	ECBT1H103KB5	50V 0.01U	1	
C620,21	ECQV1H473JM3	50V 0.047U	2	
C622	ECA1HM101	50V 100U	1	
C624,25	ECQV1H473JM3	50V 0.047U	2	
C626,27	ECQV1H104JM3	50V 0.1U	2	

C631,32	ECBT1H473KB5	50V 0.047U	2	
C635-37	ECBT1H473KB5	50V 0.047U	3	
C639-42	ECBT1H102KB5	50V 1000P	4	
C647-50	ECBT1H102KB5	50V 1000P	4	
C655,56	ECA1CAK100XB	16V 10U	2	
C659,60	ECA1CAK100XB	16V 10U	2	
C666	ECBT1H473KB5	50V 0.047U	1	
C701	ECA1VM472E	35V 4700U	1	
C702,03	ECA1VM562E	35V 5600U	2	
C704	ECA1VM472E	35V 4700U	1	
C705	ECBT1H103KB5	50V 0.01U	1	
C706	RCE1VKA100BG	35V 10U	1	
C707,08	ECBT1H473KB5	50V 0.047U	2	
C709	ECQV1H104JZ	50V 0.1U	1	
C710	ECBT1H473KB5	50V 0.047U	1	
C714	ECBT1H102KB5	50V 1000P	1	
C715	ECA1EAM472XE	25V 4700U	1	
C717	ECA1CAK330XB	16V 33U	1	
C718	ECEA1CKS101	16V 100U	1	
C719,20	ECBT1H473KB5	50V 0.047U	2	
C721	RCE1AKA101BG	10V 100U	1	
C722	ECEA1CKS101	16V 100U	1	
C723,24	ECBT1H473KB5	50V 0.047U	2	
C731	ECBT1H102KB5	50V 1000P	1	
C732	ECBT1H223KB5	50V 0.022U	1	
C733	ECBT1H473KB5	50V 0.047U	1	
C734	RCE1HKA3R3BG	50V 3.3U	1	
C735	ECBT1H473KB5	50V 0.047U	1	
C737	ECA1HM101	50V 100U	1	
C740	ECA1CAK100XB	16V 10U	1	
C741	ECQE1104KF3	100V 0.1U	1	
C753	ECKR1H103ZF5	50V 0.01U	1	
C754	ECBT1H103KB5	50V 0.01U	1	
C755	ECA1CAM102XB	16V 1000U	1	
C758	ECBT1H103KB5	50V 0.01U	1	
C759	RCE1AKA470BG	10V 47U	1	














C761	ECQE1104KF3	100V 0.1U	1	
C791	ECKWRS102MBC	1000P	1	
C901	EEAFC0J101B	6.3V 100U	1	
C902	RCE1AM102BV	10V 1000U	1	
C903,04	ECBT1H103KB5	50V 0.01U	2	
C905	ECBT1H102KB5	50V 1000P	1	
C907,08	ECBT1H471KB5	50V 470P	2	
C909	ECBT1H102KB5	50V 1000P	1	
C910	ECBT1H200JC5	50V 20P	1	
C911	ECBT1H180J5	50V 18P	1	
C912	ECBT1H104KB5	50V 0.1U	1	
C913	ECA1CAK100XB	16V 10U	1	
C914	ECEA1HKS2R2	50V 2.2U	1	
C915	ECBT1H103KB5	50V 0.01U	1	
C916	EEAFC0J101B	6.3V 100U	1	
C917	ECBT1H103KB5	50V 0.01U	1	
C918	ECEA0JKS101	6.3V 100U	1	
C919,20	RCE1HKA4R7BG	50V 4.7U	2	
C921	ECBT1H102KB5	50V 1000P	1	
C922	ECA1VAK330XB	35V 33U	1	
C923,24	ECBT1H104KB5	50V 0.1U	2	
C925,26	ECBT1H102KB5	50V 1000P	2	
C927,28	RCE1HKA4R7BG	50V 4.7U	2	
C931	ECA1CAK100XB	16V 10U	1	
C961	ECEA1CKS100	16V 10U	1	
CN602	RJU057W008	CONNECTOR(8P)	1	
CN603	RJU057W004	CONNECTOR(4P)	1	
CN701-13	RJS1A1101T1	CONNECTOR(1P)	13	
CN781	RJS10T5ZA	CONNECTOR(10P)	1	
CP101	RJT100W11	CONNECTOR(11P)	1	
CP602	RJT057W008-1	CONNECTOR(8P)	1	
CP603	RJT057W004-1	CONNECTOR(4P)	1	
D151	MA4051M	DIODE	1	
D306	SELS5223C	LED	1	



D500	MA165	DIODE	1	
D551,52	MA165	DIODE	2	
D555	MA4100M	DIODE	1	
D558	MA165	DIODE	1	
D563	MA165	DIODE	1	
D601,02	SB360L6508	DIODE	2	
D607	1SS291TA	DIODE	1	
D657-59	MA165	DIODE	3	
D701-04	1N5402BF	DIODE	4	
D705	RL1N4003N02	DIODE	1	
D711	RL1N4003N02	DIODE	1	
D715	MA165	DIODE	1	
D717-20	RL1N4003N02	DIODE	4	
D721	MA4300M	DIODE	1	
D723	MA4150M	DIODE	1	
D725	MA4082LTA	DIODE	1	
D730	MA4091H	DIODE	1	
D736	MA165	DIODE	1	
D737	MA4082LTA	DIODE	1	
D738-40	MA165	DIODE	3	
D741-44	RL1N4003N02	DIODE	4	
D745	MA4051M	DIODE	1	
D746	RL1N4003N02	DIODE	1	
D747	MA4068M	DIODE	1	
D749	MA165	DIODE	1	
D751,52	1N5402BF	DIODE	2	
D753-55	RL1N4003N02	DIODE	3	
D756,57	MA700	DIODE	2	
D758	MA165	DIODE	1	
D760	MA165	DIODE	1	
D761	RL1N4003N02	DIODE	1	
D901,02	1SS291TA	DIODE	2	
D903,04	MA165	DIODE	2	
D905	1SS291TA	DIODE	1	
D906,07	MA165	DIODE	2	
D915	1SS291TA	DIODE	1	



D933	MA165	DIODE	1	(E,EG)
D951	LNJ301MPUJAD	LED	1	
D954	SELS5923C	LED	1	
D956	SELS5923C	LED	1	
D961	MA4075M	DIODE	1	
D973	MA4030M	DIODE	1	
D974	MA165	DIODE	1	
F1	XBA2C10TB0	FUSE	1	
FL901	RSL0298-F	FL	1	
IC151	LC72721NMTLM	IC	1	(E,EG)
IC601	RSN311W64A	IC	1	
IC901	LC8A524A5N28	IC	1	
JK601 ,02	RJH5603-1J	6P SP TANSI	2	
JK701	SJS9236	JACKAC INLET	1	
JK903	RJJ37TN02-C	JACK,HEADPHONE	1	
L151,52	ELEXT101KA9	COIL	2	(E,EG)
L153	RLQA1R0JT1-Y	COIL	1	(E,EG)
L601-06	RLQYR73MW1-0	COIL	6	
L701	RLQZ371	COIL	1	
L901	RLQA100JT1-Y	COIL	1	
L902	RLQA1R0JT1-Y	COIL	1	
<u>P1</u>	RPG4793	PACKING CASE(SYSTEM)	1	(E)
P1	RPG4795	PACKING CASE(SYSTEM)	1	(EB)
P1	RPG4794	PACKING CASE(SYSTEM)	1	(EG)
<u>P2</u>	RPQ0951	PAD(SYSTEM)	1	
<u>P3</u>	RPG4397	PACKING CASE(RS)	1	
<u>P3</u>	RPG4396	PACKING CASE(SA)	1	
<u>P3</u>	RPG4398	PACKING CASE(SH)	1	
<u>P3</u>	RPG4399	PACKING CASE(SL)	1	
<u>P4</u>	RPN1195-2	PAD(RS)	1	




<u>P4</u>	RPN1194	PAD(SA)	1	
<u>P4</u>	RPN1196	PAD(SH)	1	
<u>P4</u>	RPN1203	PAD(SL)	1	
<u>P5</u>	SPP740-1	SHEET	4	
<u>P6</u>	RPF0139	PROTECTION BAG(F.B.)	1	
PCB1	REP2964D-M	MAIN PCB	1	(E,EG)/[RTL]
PCB1	REP2964L-M	MAIN PCB	1	(EB) [RTL]
PCB2	REP2966D-S	SUB PCB	1	(E,EG)/[RTL]
PCB2	REP2966E-S	SUB PCB	1	(EB) [RTL]
Q503	2SC3327A	TRANSISTOR	1	
Q551	2SA1995RSTA	TRANSISTOR	1	
Q554	2SA1995RSTA	TRANSISTOR	1	
Q555	2SC3327A	TRANSISTOR	1	
Q558	UN4211	TRANSISTOR	1	
Q601,02	2SC5398RSTA	TRANSISTOR	2	
Q605,06	2SD2144STA	TRANSISTOR	2	
Q701	2SD2374PQAU	TRANSISTOR	1	
Q702	2SB1548PQAU	TRANSISTOR	1	
Q703	2SD2137PQTA	TRANSISTOR	1	
Q705	2SA1995RSTA	TRANSISTOR	1	
Q706	UN4211	TRANSISTOR	1	
Q707	2SB1548PQAU	TRANSISTOR	1	
Q708	UN4211	TRANSISTOR	1	
Q709	2SC3327A	TRANSISTOR	1	
Q711	2SB1548PQAU	TRANSISTOR	1	
Q723	2SC3940AQSTA	TRANSISTOR	1	
Q725	2SC5398RSTA	TRANSISTOR	1	
Q726	2SC3940AQSTA	TRANSISTOR	1	
Q791	2SC3327A	TRANSISTOR	1	
Q901	UN4212TA	TRANSISTOR	1	
Q902	UN411FTA	TRANSISTOR	1	
Q911,12	2SC3327A	TRANSISTOR	2	
Q961	UN4115	TRANSISTOR	1	

R151,52	ERDS2FJ102	1/4W 1K	2	(E,EG)
R153,54	ERDS2FJ104	1/4W 100K	2	(E,EG)
R155	ERDS2FJ121	1/4W 120	1	(E,EG)
R158	ERDS2FJ102	1/4W 1K	1	(E,EG)
R229,30	ERDS2FJ102	1/4W 1K	2	
R509-12	ERDS2FJ390	1/4W 39	4	
R544	ERDS2FJ103	1/4W 10K	1	
R546,47	ERDS2FJ392	1/4W 3.9K	2	
R548	ERDS2FJ102	1/4W 1K	1	
R551	ERDS2FJ183	1/4W 18K	1	
R552	ERDS2FJ473	1/4W 47K	1	
R553,54	ERDS2FJ392	1/4W 3.9K	2	
R555	ERDS2FJ223	1/4W 22K	1	
R556	ERDS2FJ104	1/4W 100K	1	
R557	ERDS2FJ103	1/4W 10K	1	
R558	ERDS2FJ222	1/4W 2.2K	1	
R559	ERDS2FJ472	1/4W 4.7K	1	
R561	ERDS2FJ104	1/4W 100K	1	
R563,64	ERDS2FJ272	1/4W 2.7K	2	
R570	ERDS2TJ225	1/4W 2.2M	1	
R571	ERDS2FJ562	1/4W 5.6K	1	
R572	ERDS2FJ153	1/4W 15K	1	
R591	ERDS2FJ472	1/4W 4.7K	1	
R597,98	ERDS2FJ122	1/4W 1.2K	2	
R601,02	ERDS2FJ472	1/4W 4.7K	2	
R603,04	ERDS2FJ332	1/4W 3.3K	2	
R605,06	ERDS2FJ472	1/4W 4.7K	2	
R607,08	ERDS2FJ563	1/4W 56K	2	
R609,10	ERDS2FJ124	1/4W 120K	2	
R611,12	ERDS2FJ563	1/4W 56K	2	
R614,15	ERDS2FJ472	1/4W 4.7K	2	
R617,18	ERDS2FJ472	1/4W 4.7K	2	
R619,20	ERDS2FJ124	1/4W 120K	2	
R621	ERDS2FJ154	1/4W 150K	1	
R622,23	ERDS2FJ124	1/4W 120K	2	
R624	ERDS2FJ154	1/4W 150K	1	
R627	ERDS2FJ474	1/4W 470K	1	

R628	ERDS2FJ223	1/4W 22K	1	
R631,32	ERDS2FJ392	1/4W 3.9K	2	
R635	ERDS2FJ222	1/4W 2.2K	1	
R637	ERDS2FJ153	1/4W 15K	1	
R638	ERDS2FJ683	1/4W 68K	1	
R639,40	ERDS1FJ100	1/2W 10	2	
R641,42	ERD2FCG100	1/4W 10	2	
R643,44	ERDS1FJ100	1/2W 10	2	
R645,46	ERD2FCG100	1/4W 10	2	
R647,48	ERDS2FJ2R2	1/4W 2.2	2	
R649,50	ERDS1FJ100	1/2W 10	2	
R651,52	ERD2FCG100	1/4W 10	2	
R683,84	ERDS2FJ102	1/4W 1K	2	
R687,88	ERD16TJ000T	1/4W 0	2	
R702	ERDS2FJ273	1/4W 27K	1	
R703-05	ERG1SJ222	1W 2.2K	3	
R707	ERD2FCJ4R7	1/4W 4.7	1	
R708	ERDS2FJ472	1/4W 4.7K	1	
R712	ERDS2FJ222	1/4W 2.2K	1	
R719	ERDS2FJ332	1/4W 3.3K	1	
R720	ERDS2FJ392	1/4W 3.9K	1	
R721	ERD2FCJ4R7	1/4W 4.7	1	
R722	ERQ16NKW2R2E	1/6W 2.2	1	
R723	ERDS2FJ562	1/4W 5.6K	1	
R724	ERDS2FJ392	1/4W 3.9K	1	
R725	ERDS2FJ100	1/4W 10	1	
R727	ERDS2FJ392	1/4W 3.9K	1	
R729	ERDS2FJ221	1/4W 220	1	
R738	ERDS2FJ392	1/4W 3.9K	1	
R739	ERDS2FJ473	1/4W 47K	1	
R749	ERDS2FJ102	1/4W 1K	1	
R763	ERDS2FJ472	1/4W 4.7K	1	
R764	ERDS2FJ331	1/4W 330	1	
R765	ERDS1FJ221	1/2W 220	1	
R766	ERDS1FJ470	1/2W 47	1	
R767	ERD2FCJ4R7	1/4W 4.7	1	

R768	ERDS2FJ101	1/4W 100	1	
R770	ERDS2FJ104	1/4W 100K	1	
R771	ERDS2FJ222	1/4W 2.2K	1	
R772	ERDS2FJ223	1/4W 22K	1	
R773,74	ERDS1FJ180	1/2W 18	2	
R776	ERDS2FJ103	1/4W 10K	1	
R777	ERDS2FJ102	1/4W 1K	1	
R791,92	RSFMB40KT-L	FUSE PROTECTOR	2	
R793	ERDS2FJ1R0	1/4W 1	1	
R794	ERDS2FJ473	1/4W 47K	1	
R795	ERDS2FJ392	1/4W 3.9K	1	
R797	ERD16TJ000T	1/4W 0	1	
R901	ERDS2FJ821	1/4W 820	1	
R902	ERDS2FJ102	1/4W 1K	1	
R903	ERDS2FJ122	1/4W 1.2K	1	
R904	ERDS2FJ152	1/4W 1.5K	1	
R905	ERDS2FJ182	1/4W 1.8K	1	
R906	ERDS2FJ222	1/4W 2.2K	1	
R907	ERDS2FJ332	1/4W 3.3K	1	
R908	ERDS2FJ472	1/4W 4.7K	1	
R909	ERDS2FJ182	1/4W 1.8K	1	
R910	ERDS2FJ222	1/4W 2.2K	1	
R911	ERDS2FJ332	1/4W 3.3K	1	
R912	ERDS2FJ472	1/4W 4.7K	1	
R913	ERDS2FJ821	1/4W 820	1	
R914	ERDS2FJ102	1/4W 1K	1	
R915	ERDS2FJ122	1/4W 1.2K	1	
R916	ERDS2FJ152	1/4W 1.5K	1	
R918	ERDS2FJ103	1/4W 10K	1	
R919	ERDS2FJ153	1/4W 15K	1	
R921,22	ERDS2FJ103	1/4W 10K	2	
R923	ERDS2FJ223	1/4W 22K	1	
R924,25	ERDS2FJ102	1/4W 1K	2	
R926	ERDS2FJ222	1/4W 2.2K	1	
R928	ERDS2FJ473	1/4W 47K	1	
R929-32	ERDS2FJ102	1/4W 1K	4	
R933	ERDS2FJ471	1/4W 470	1	

R934-36	ERDS2FJ101	1/4W 100	3	
R937	ERDS2FJ103	1/4W 10K	1	
R939	ERDS2FJ152	1/4W 1.5K	1	
R943	ERDS2FJ101	1/4W 100	1	
R944	ERDS2FJ222	1/4W 2.2K	1	
R945	ERDS2FJ101	1/4W 100	1	
R946	ERDS2FJ102	1/4W 1K	1	
R947,48	ERDS2FJ104	1/4W 100K	2	(EB)
R949	ERDS2FJ472	1/4W 4.7K	1	
R950	ERDS2FJ101	1/4W 100	1	
R951	ERDS2FJ334	1/4W 330K	1	
R952	ERDS2TJ106T	1/4W 10M	1	
R953	ERDS2FJ101	1/4W 100	1	
R954	ERDS2FJ104	1/4W 100K	1	
R955	ERDS2FJ824	1/4W 820K	1	
R956-58	ERDS2FJ102	1/4W 1K	3	
R959	ERDS2FJ470	1/4W 47	1	
R960	ERDS2FJ152	1/4W 1.5K	1	
R961,62	ERDS2FJ223	1/4W 22K	2	
R963,64	ERDS2FJ121	1/4W 120	2	
R965,66	ERDS2FJ392	1/4W 3.9K	2	
R967	ERDS2FJ222	1/4W 2.2K	1	
R968	ERDS2FJ105	1/4W 1M	1	
R969	ERDS2FJ272	1/4W 2.7K	1	
R975	ERDS2FJ154	1/4W 150K	1	
R976	ERDS2FJ104	1/4W 100K	1	
R984	ERDS2FJ391	1/4W 390	1	
R986	ERDS2FJ152	1/4W 1.5K	1	
R987,88	ERDS2FJ102	1/4W 1K	2	
R990	ERDS2FJ104	1/4W 100K	1	
R991	ERDS2FJ473	1/4W 47K	1	
R993	ERDS2FJ104	1/4W 100K	1	
R995	ERDS2FJ221	1/4W 220	1	
R996,97	ERDS2FJ151	1/4W 150	2	
RL701	RSY0030M-0	RELAY	1	
RL702	RSY0040M-0	RELAY	1	

S901-08	EVQ11G05R	SW	8	
S910-13	EVQ11G05R	SW	4	
S914,15	EVQ11G05R	SW	2	(E,EG)
T701	RTP2M5B018	POWER TRANSFORMER	1	
T702	RTP1H3E001	POWER TRANSFORMER	1	
VR901	EVQVBXFK124B	V.R.	1	
X151	RSXC4M33S02T	OSCILLATOR	1	
X901	EF0EC6004T4	OSCILLATOR	1	
X902	RSXD32K7S02	OSCILLATOR	1	
Z120	RAN0005EM-1	TUNER UNIT	1	
Z701	ERZV10V511CS	COMPONENT COMBINATION	1	
Z901	RCDGP1U28XD	REMOTE SENSOR	1	

•@

[TOP](#) [PREVIOUS](#) [NEXT](#)

17 Cabinet Parts Location

[TOP](#) [PREVIOUS](#) [NEXT](#)



•@

[TOP](#) [PREVIOUS](#) [NEXT](#)

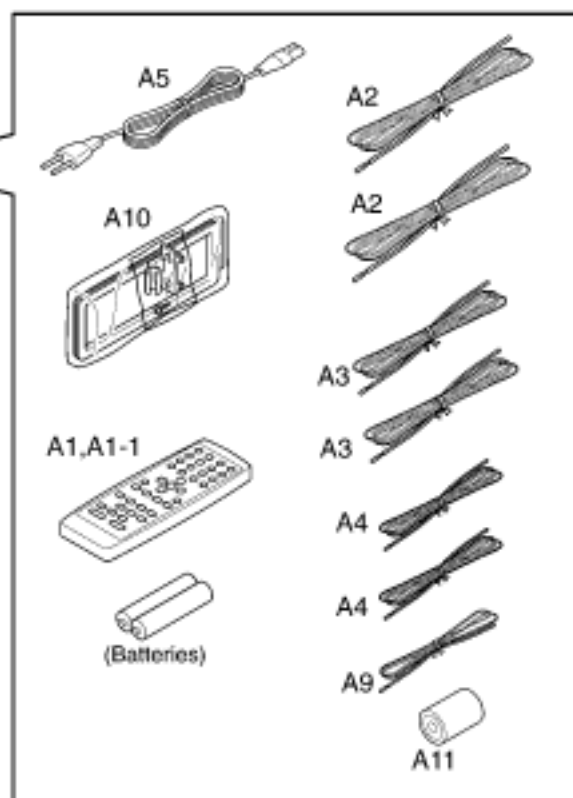
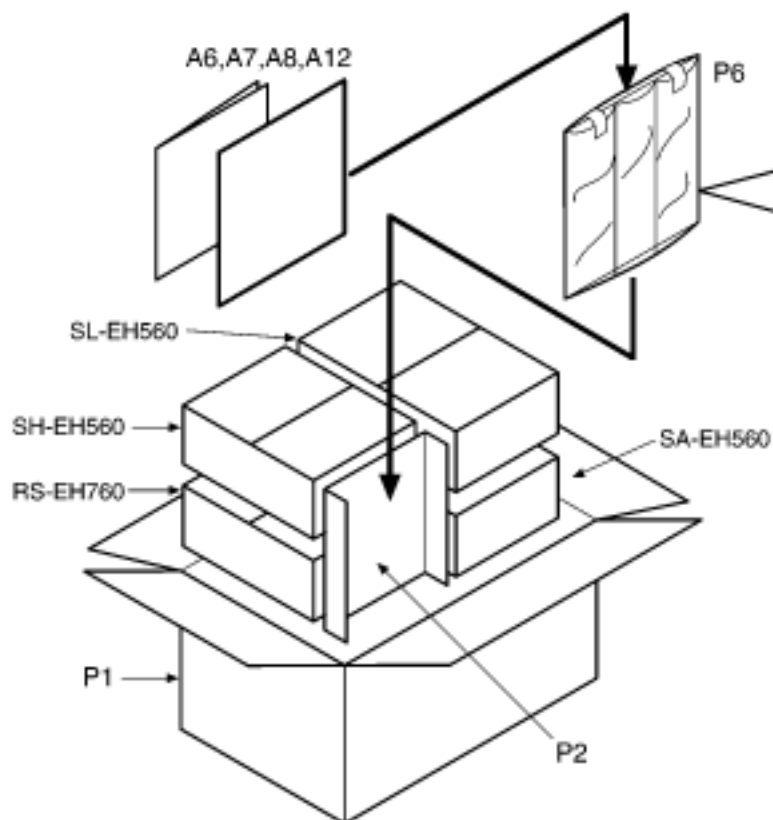
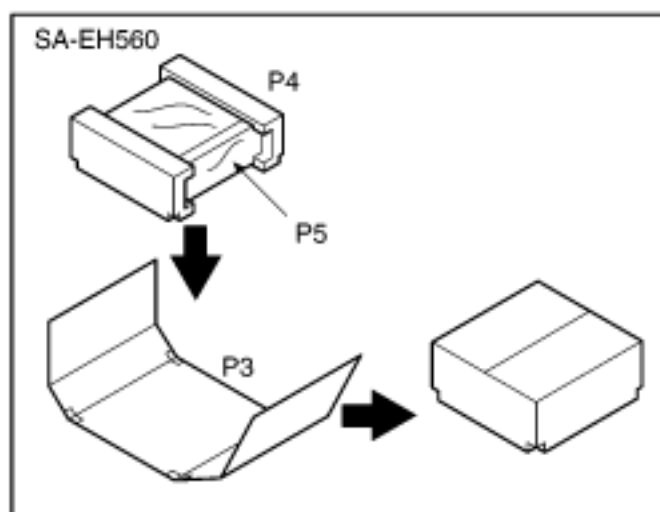
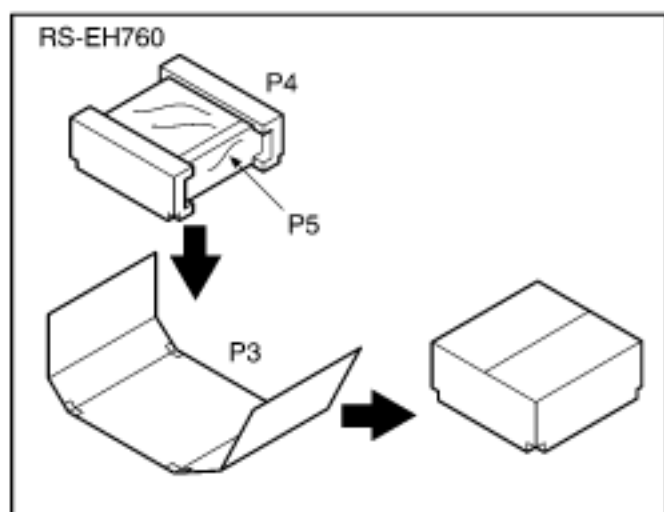
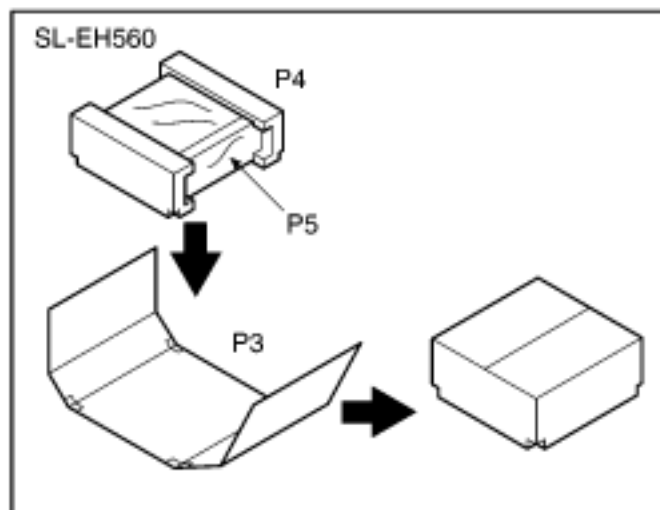
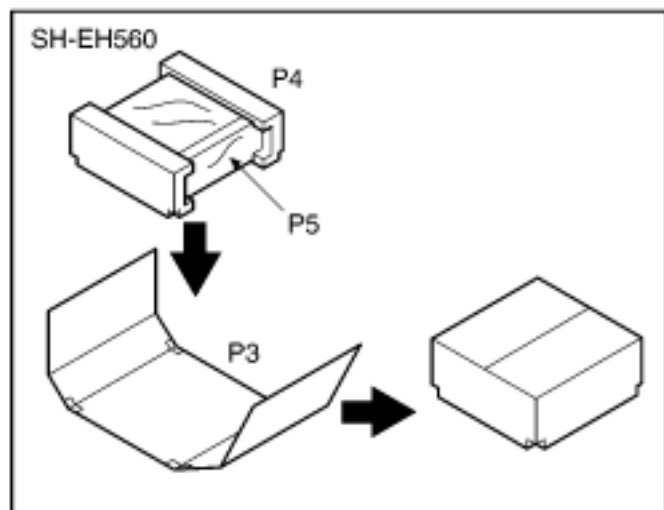
18 Packaging

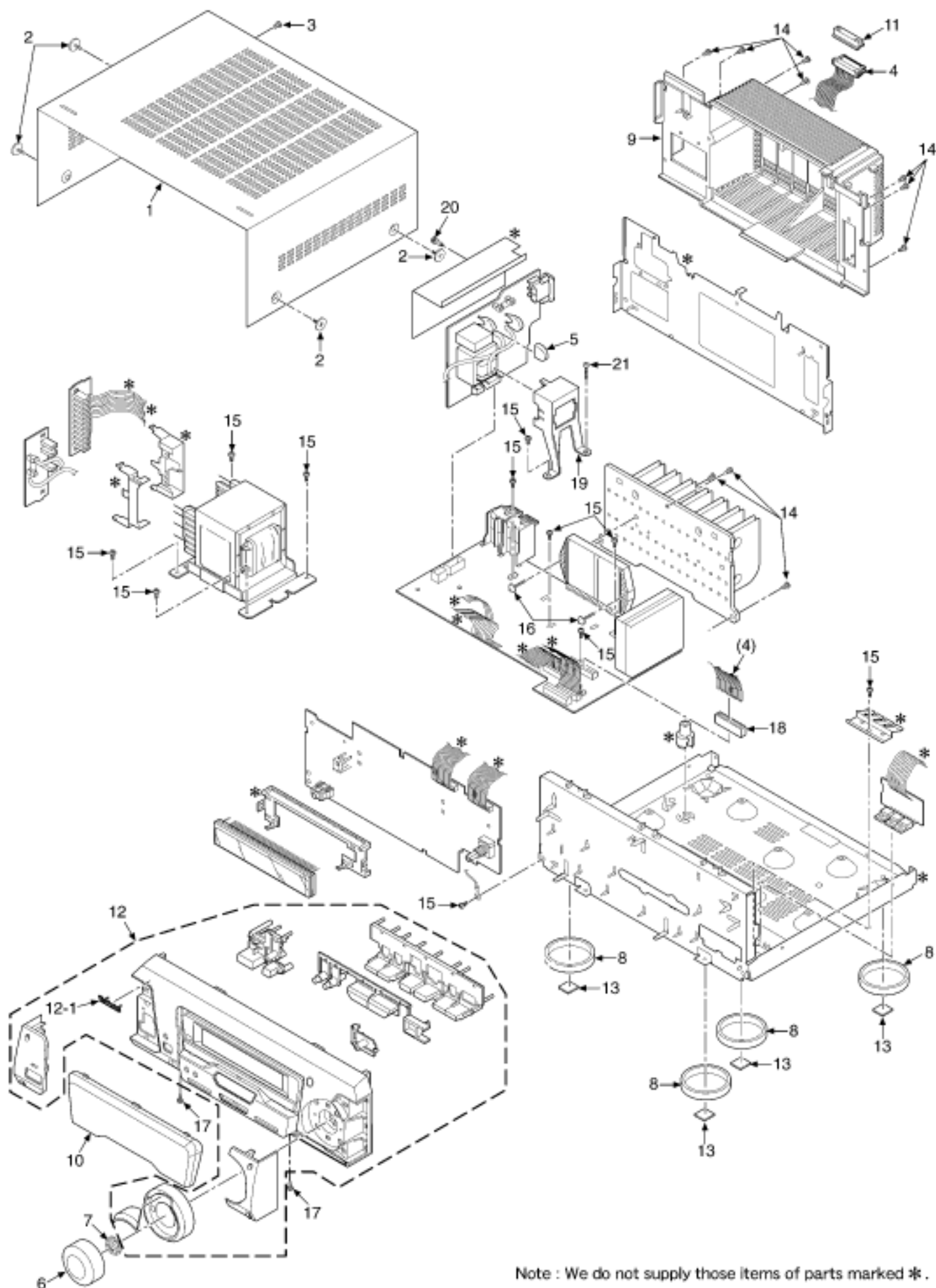
[TOP PREVIOUS](#)



•@

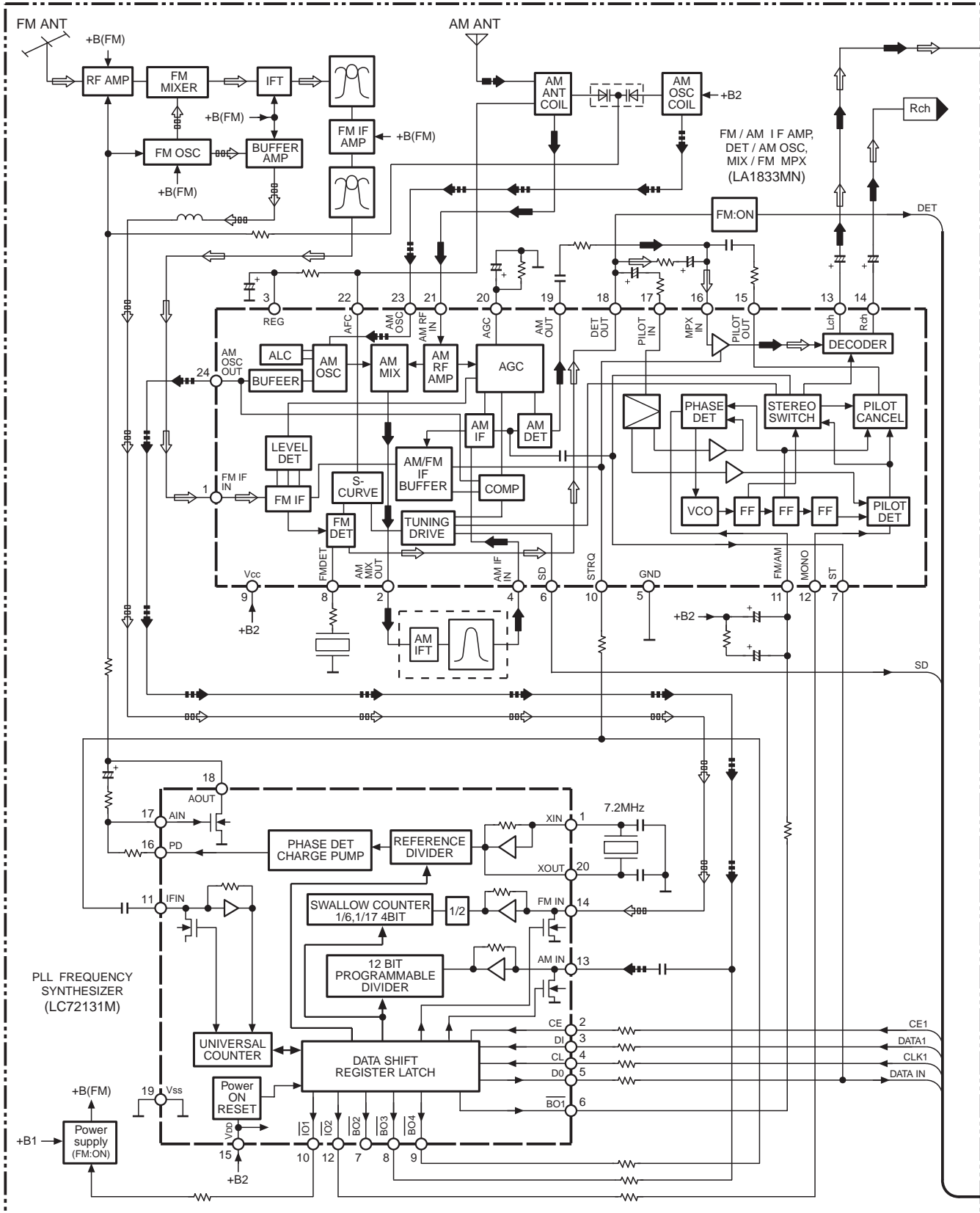
[TOP PREVIOUS](#)

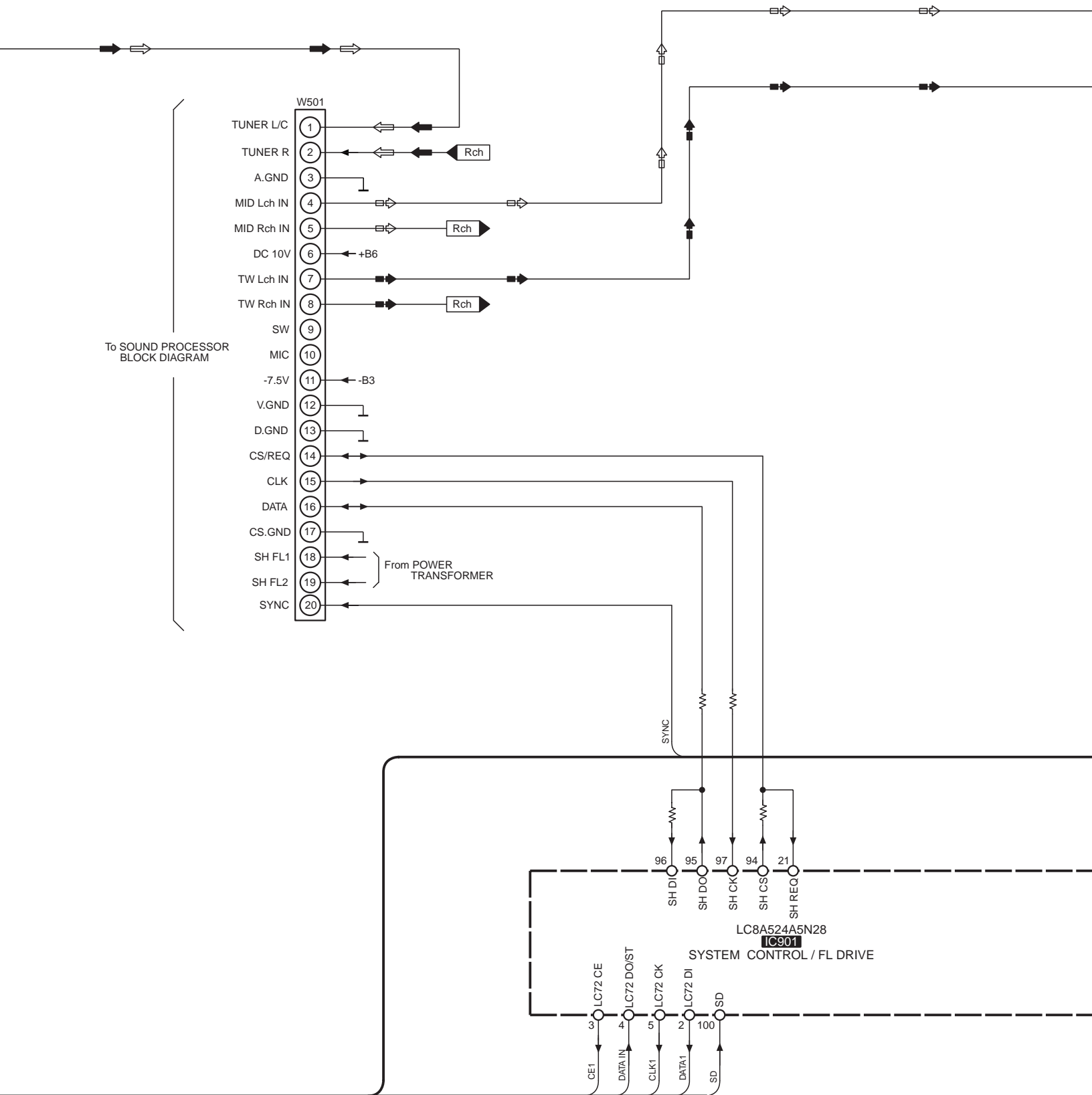




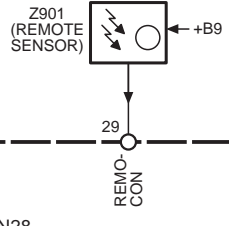
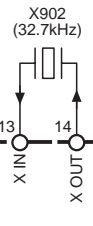
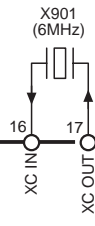
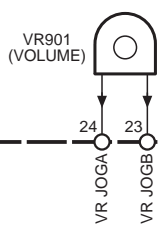
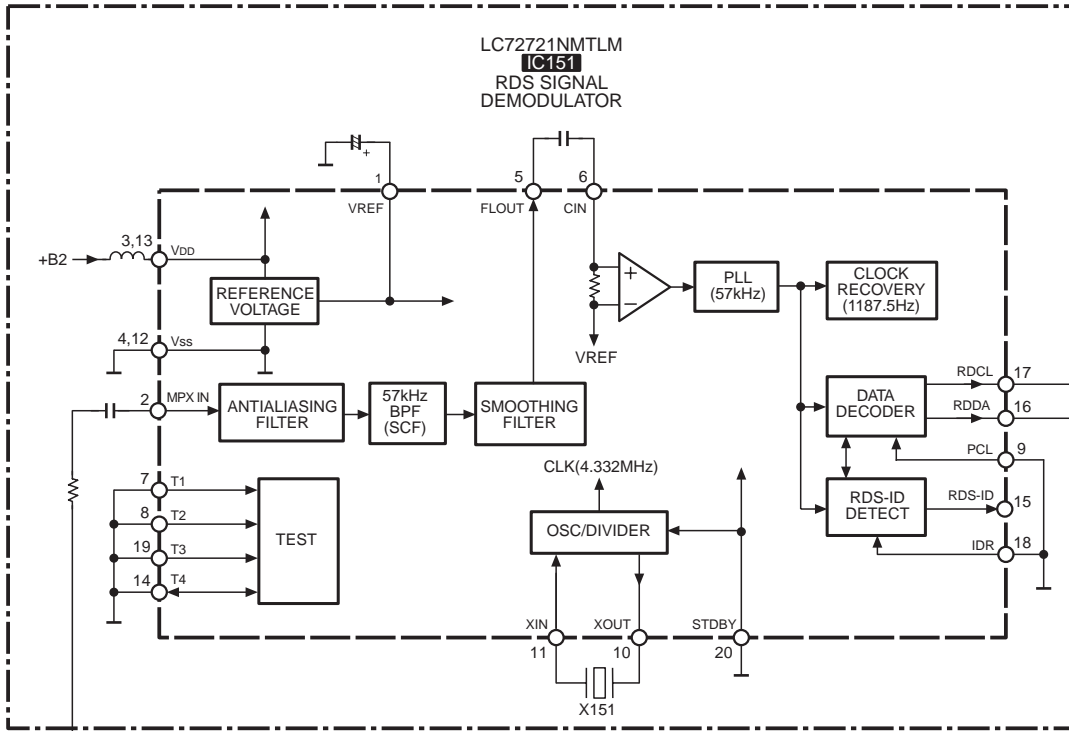
Note : We do not supply those items of parts marked *.

Z120 TUNER UNIT (RAN0005EM)

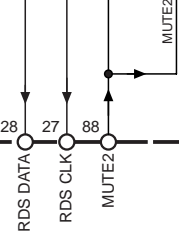
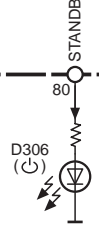
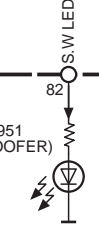
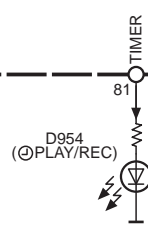
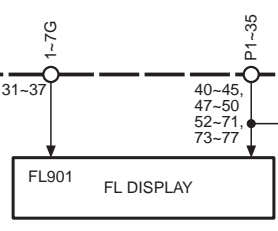
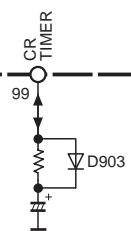


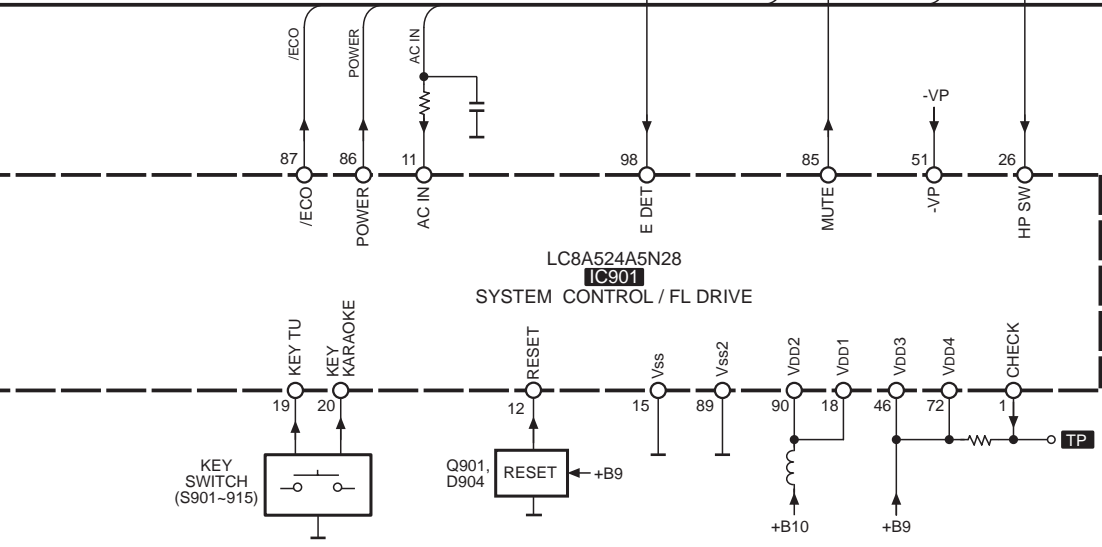
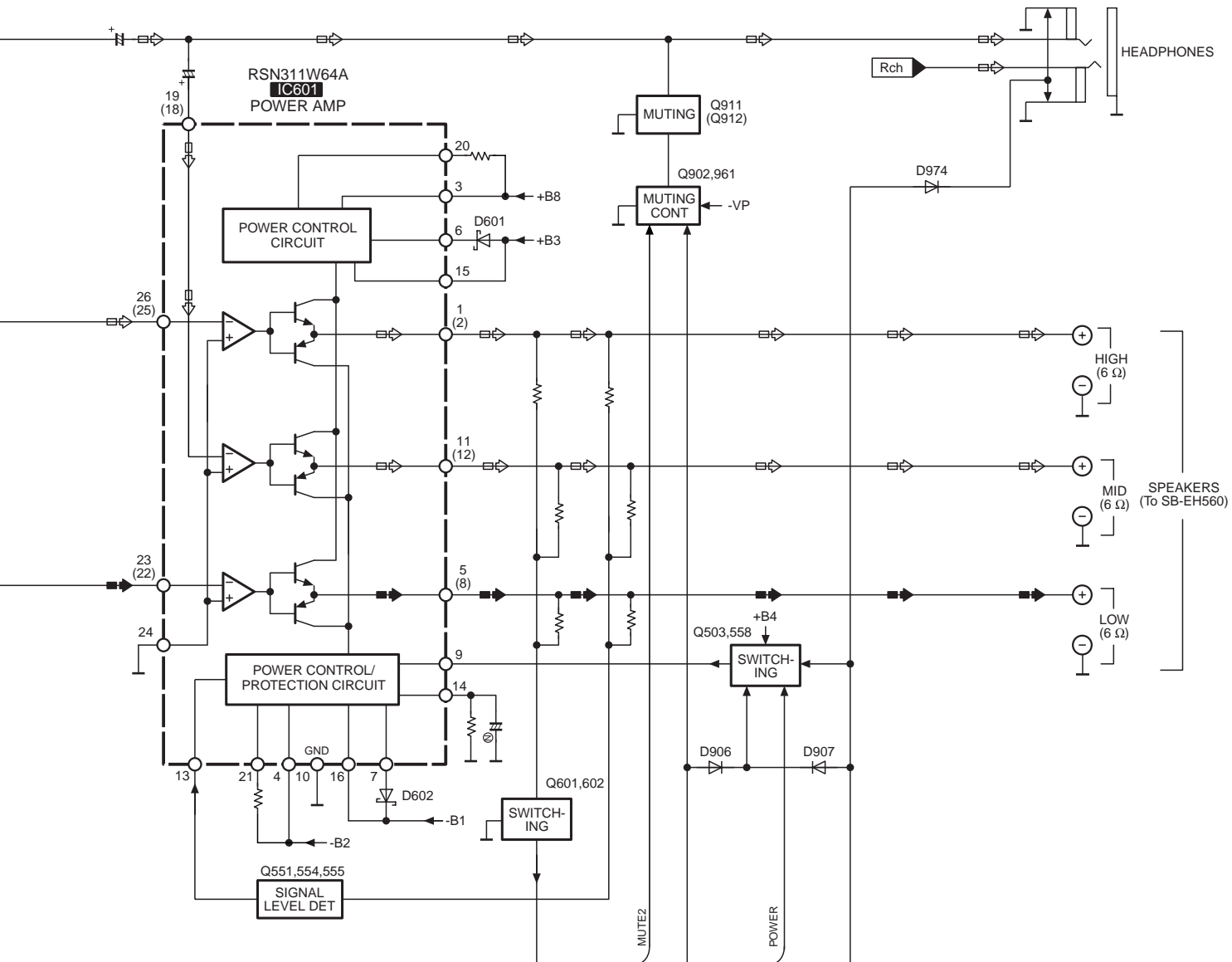


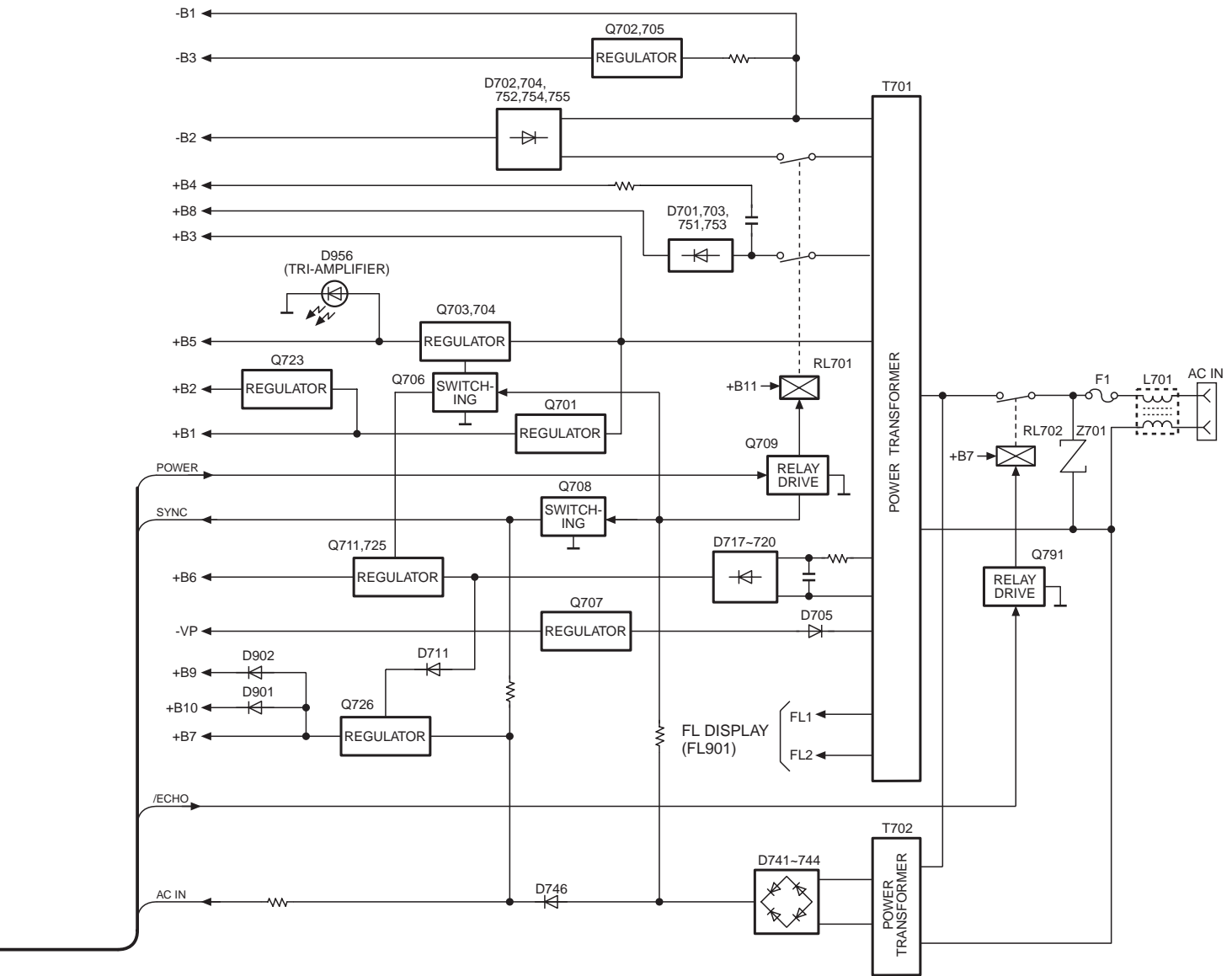
For [E,EG] areas.



LC8A524A5N28
IC901
SYSTEM CONTROL / FL DRIVE







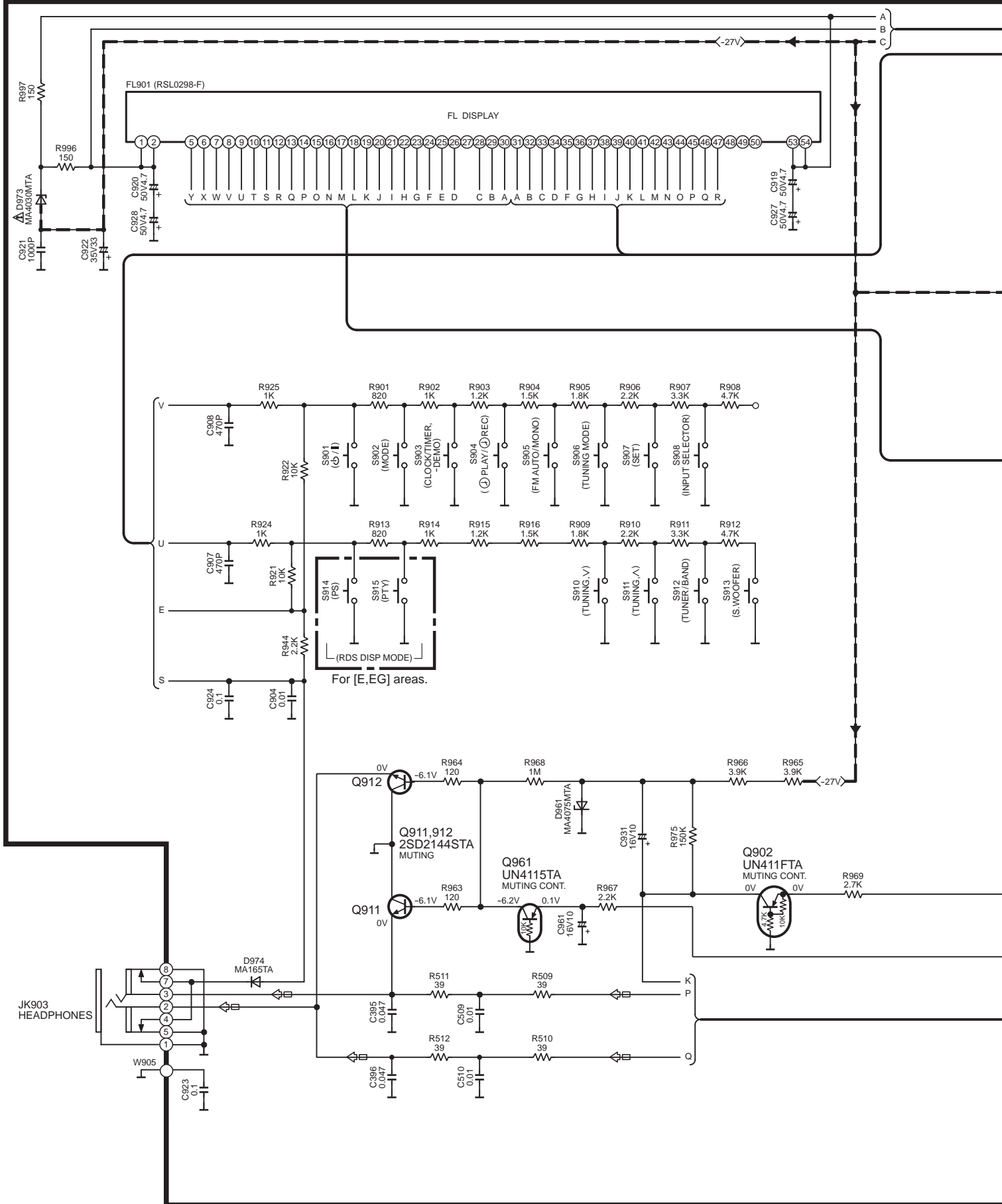
- NOTES
- : FM SIGNAL LINE
 - : AM SIGNAL LINE
 - : FM OSC SIGNAL LINE
 - : AM OSC SIGNAL LINE
 - : SOURCE SIGNAL LINE
 - : LOW SP. DRIVE SIGNAL LINE
 - () indicates pin No. Right channel.

SCHEMATIC DIAGRAM-1

A OPERATION CIRCUIT

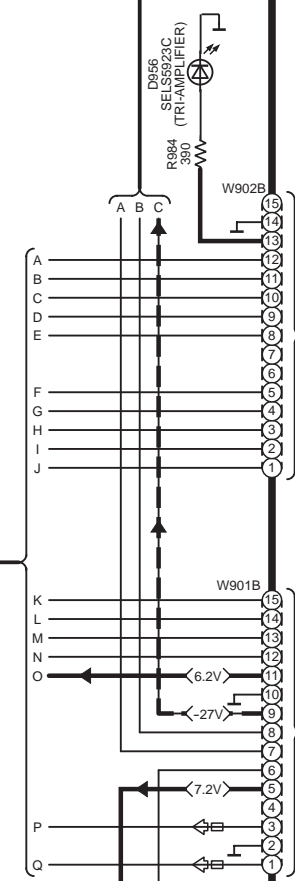
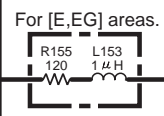
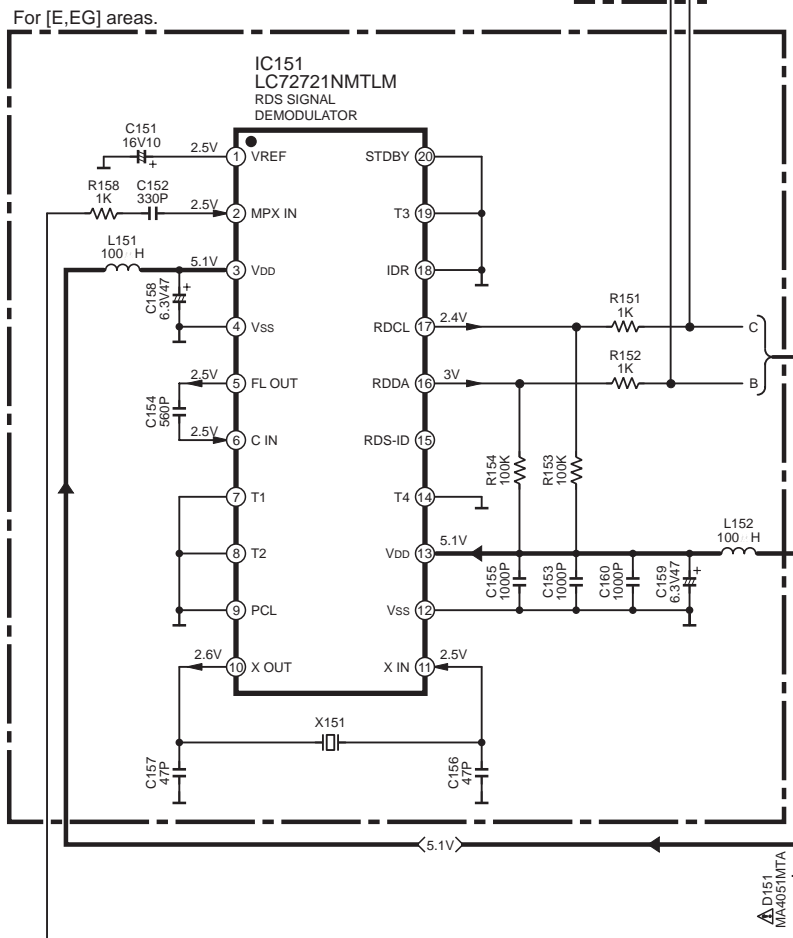
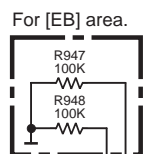
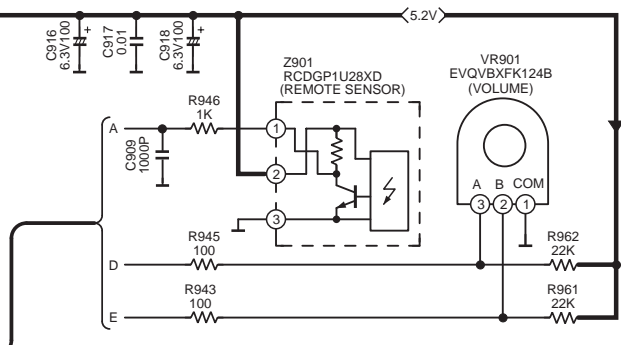
NOTE:
 The number noted at the connectors on the schematic diagram as
 "SCHEMATIC DIAGRAM-1" or "SCHEMATIC DIAGRAM-2"
 indicates the schematic diagram serial number located on the left corner in the schematic diagram.

—▶— : NEGATIVE VOLTAGE LINE
 ◻◻◻ : SOURCE SIGNAL LINE



SCHEMATIC DIAGRAM-3 A OPERATION CIRCUIT

→ : POSITIVE VOLTAGE LINE → - : NEGATIVE VOLTAGE LINE □ ⇨ : SOURCE SIGNAL LINE

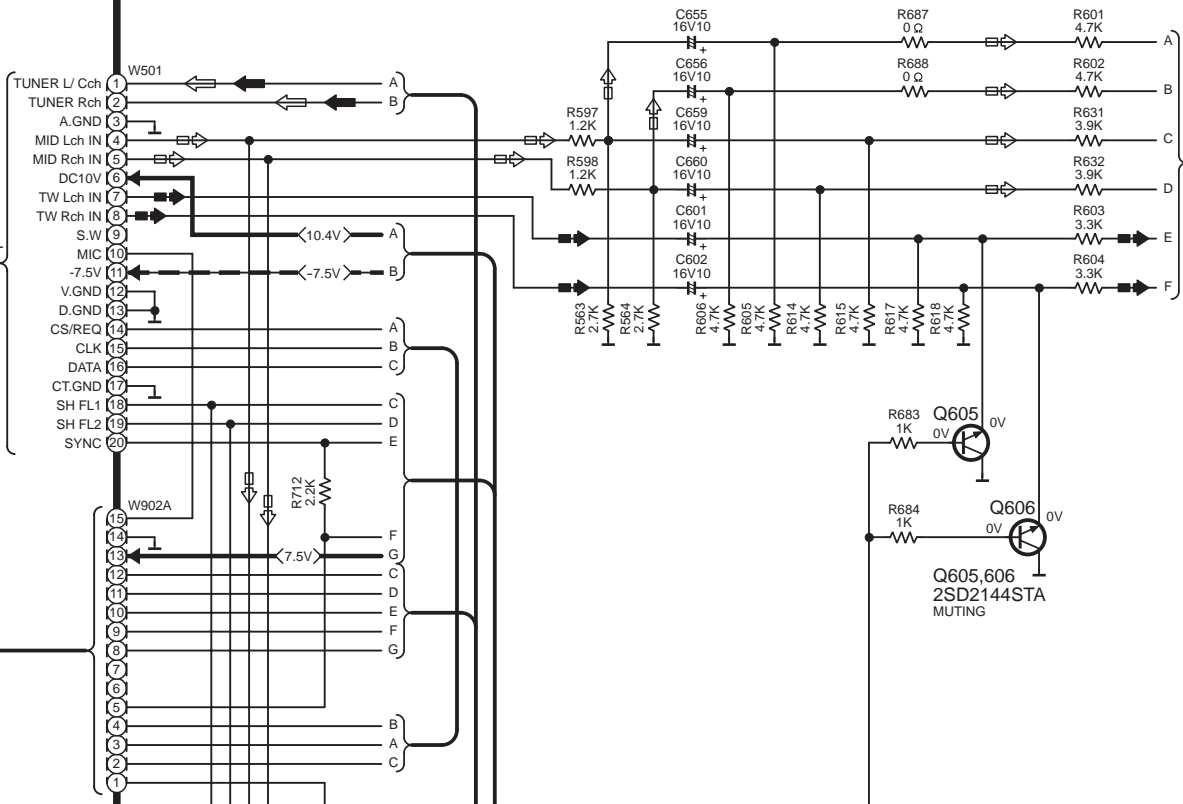


SCHEMATIC DIAGRAM-4

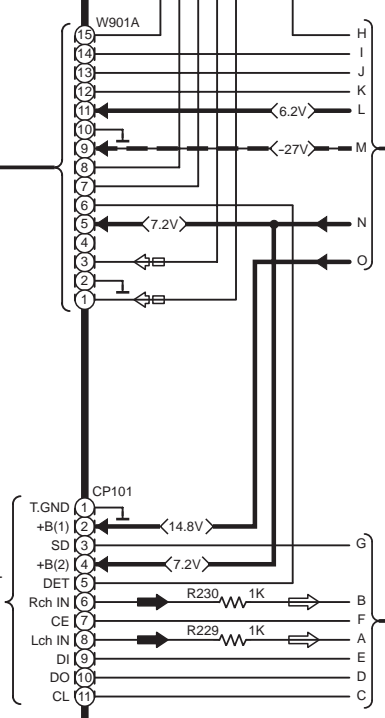
B MAIN CIRCUIT

: POSITIVE VOLTAGE LINE : FM SIGNAL LINE : SOURCE SIGNAL LINE
 - - - : NEGATIVE VOLTAGE LINE : AM SIGNAL LINE : LOW SP.DRIVE SIGNAL LINE

To
MAIN CIRCUIT
of SOUND
PROCESSOR



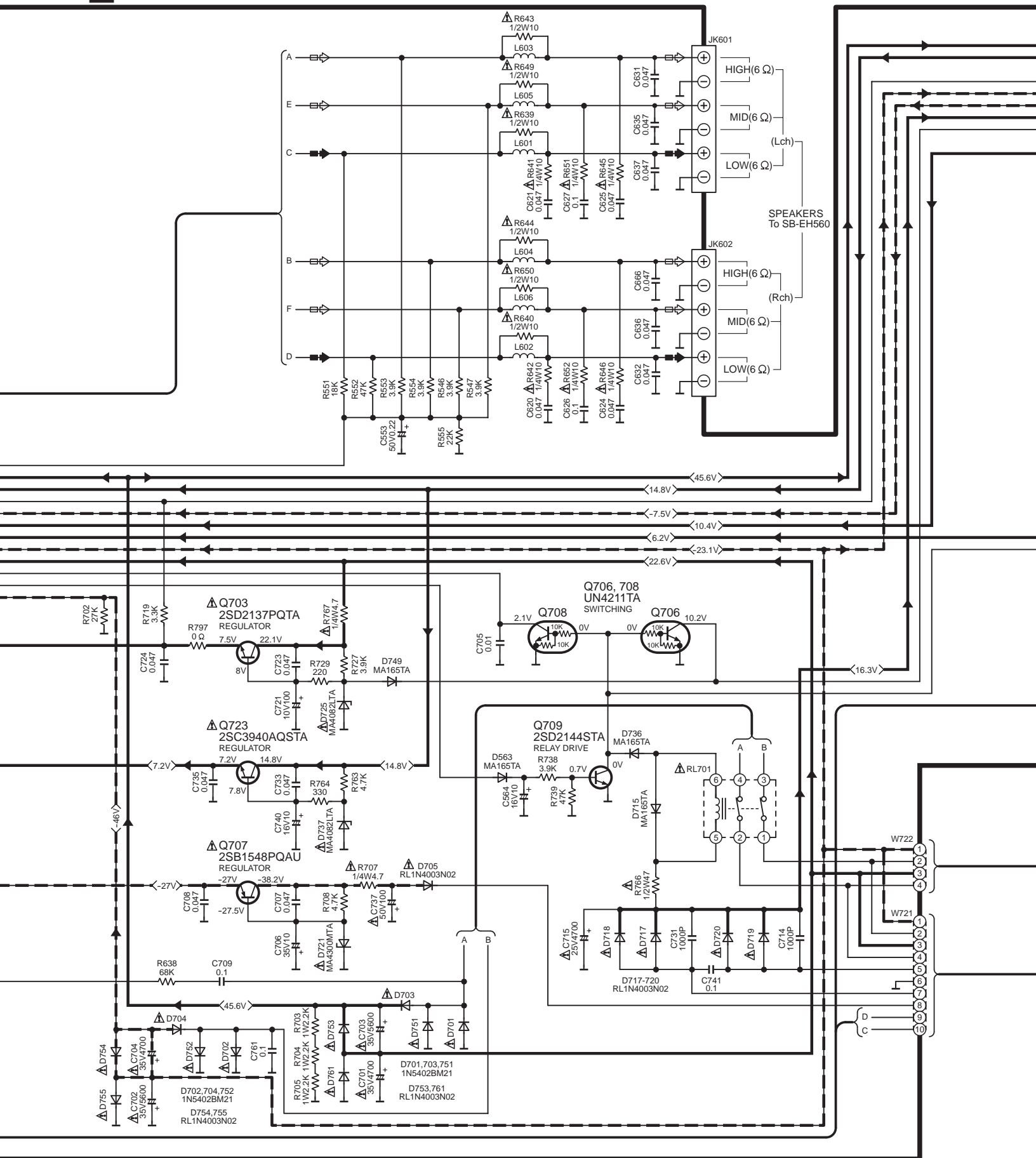
To TUNER UNIT
on SCHEMATIC
DIAGRAM-9



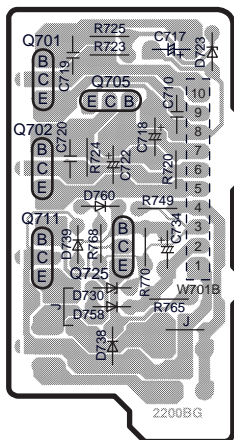
SCHEMATIC DIAGRAM-6

B MAIN CIRCUIT

: POSITIVE VOLTAGE LINE
 : NEGATIVE VOLTAGE LINE
 : SOURCE SIGNAL LINE
 : LOW SP.DRIVE SIGNAL LINE



C POWER SUPPLY P.C.B.



(REP2964D-M[E,EG]
REP2964L-M[EB])

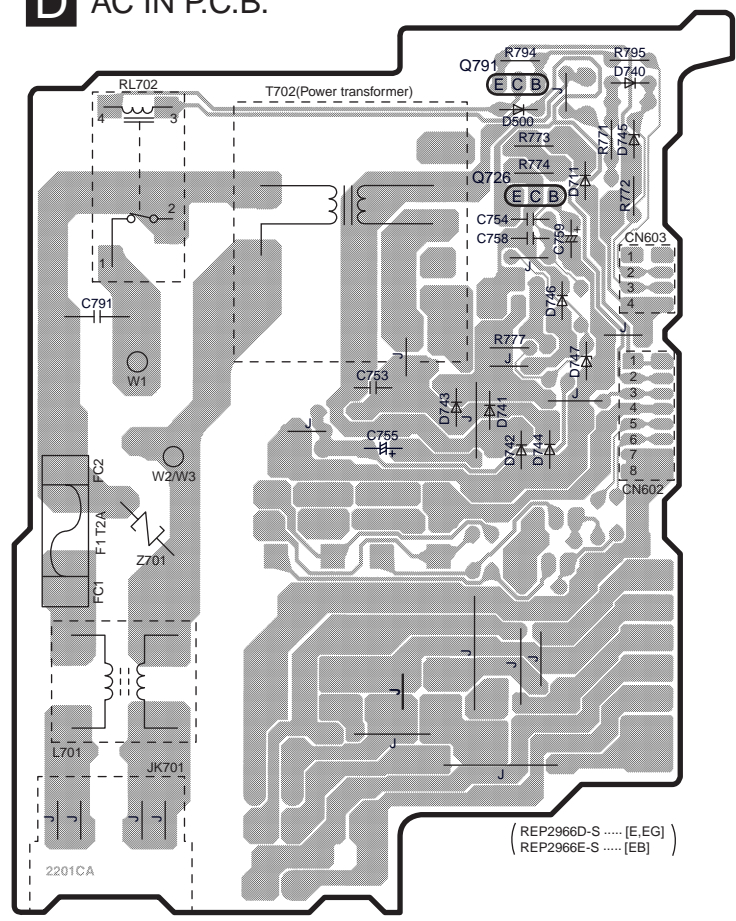
■ ELECTRICAL PARTS LOCATION

Ref. No.	Lo. No.	Ref. No.	Lo. No.	Ref. No.	Lo. No.	Ref. No.	Lo. No.	Ref. No.	Lo. No.	Ref. No.	Lo. No.	Ref. No.	Lo. No.	Ref. No.	Lo. No.
■ MAIN P.C.B.															
IC601	5F	D703	4D	CP101	1D	R564	2C	R627	4E	R707	4C	C608	3E	C649	4E
Q503	3D	D704	5C	CP602	8D	R570	2D	R628	3E	R708	4C	C609	4E	C650	4E
Q551	2D	D705	4C	CP603	8C	R571	3D	R631	3E	R712	2B	C610	4E	C655	2D
Q554	2D	D715	4C	JK601	8E	R572	3D	R632	3E	R719	2B	C611	4E	C656	2C
Q555	3D	D717	4C	JK602	7E	R591	2D	R635	2B	R721	4D	C612	3E	C659	3E
Q558	3D	D718	4C	E601	7E	R597	2C	R637	3D	R722	4D	C613	3E	C660	3E
Q601	2E	D719	4C	E602	3E	R598	2C	R638	3D	R727	3E	C614	3E	C666	7E
Q602	2E	D720	4C	W501	2C	R601	3E	R639	6E	R729	3E	C616	4E	C701	7C
Q605	2E	D721	3C	W721	5C	R602	3E	R640	5E	R738	3D	C617	4E	C702	6C
Q606	2E	D725	3E	W722	5C	R603	3E	R641	7D	R739	4D	C618	4E	C703	6C
Q703	3D	D736	4D	W901A	3C	R604	3E	R642	5E	R763	1C	C619	3D	C704	6C
Q706	4D	D737	1C	W902A	2B	R605	2E	R643	6D	R764	1C	C620	6E	C705	2B
Q707	3C	D749	3E	R229	2D	R606	2E	R644	6D	R766	4C	C621	7D	C706	3C
Q708	4D	D751	5D	R230	2C	R607	3E	R645	6D	R767	3D	C622	3E	C707	4C
Q709	4D	D752	5C	R544	3D	R608	3E	R646	7D	R776	3D	C624	7E	C708	3C
Q723	1B	D753	5D	R546	4E	R609	4E	R647	4E	R797	3D	C625	7D	C709	3D
D551	2E	D754	7C	R547	4E	R610	4E	R648	4E	C550	2D	C626	7E	C714	4C
D552	2D	D755	5C	R548	4E	R611	4E	R649	4D	C551	2D	C627	7D	C715	4C
D555	2D	D756	3D	R551	3E	R612	4E	R650	4D	C552	2D	C631	8E	C721	3E
D558	3D	D757	2D	R552	3E	R614	3E	R651	7D	C553	2E	C632	7E	C723	3D
D563	3D	D761	5C	R553	3E	R615	3E	R652	7E	C554	2D	C635	8E	C724	3D
D601	5E	L601	7E	R554	4E	R617	2E	R683	2E	C564	3D	C636	7E	C731	4C
D602	5E	L602	5E	R555	3E	R618	2E	R684	2E	C601	2C	C637	8E	C732	7D
D607	1B	L603	6D	R556	2E	R619	4E	R687	3E	C602	2D	C639	7D	C733	1C
D657	2B	L604	6D	R557	2D	R620	4E	R688	3E	C603	3E	C640	7D	C735	1D
D658	3D	L605	5D	R558	2D	R621	3E	R702	7C	C604	3E	C641	8D	C737	4C
D659	2B	L606	4D	R559	2D	R622	3E	R703	5D	C605	4E	C642	7D	C740	1C
D701	5D	RL701	5C	R561	2D	R623	4E	R704	5D	C606	4E	C647	3E	C741	5C
D702	5C	CN781	2B	R563	2C	R624	4E	R705	5D	C607	3E	C648	4E	C761	6C
■ POWER SUPPLY P.C.B.															
Q701	2I	Q725	2I	D739	2I	R720	2I	R749	2I	C710	2I	C720	2I		
Q702	2I	D723	2I	D758	3I	R723	2I	R765	3I	C717	2I	C722	2I		
Q705	2I	D730	3I	D760	2I	R724	2I	R768	2I	C718	2I	C734	2I		
Q711	2I	D738	3I	W701B	2I	R725	1I	R770	2I	C719	2I				

A B C D E F

D AC IN P.C.B.

1
2
3
4
5



AC IN

(230V 50Hz [E,EG])
(230-240V 50Hz [EB])

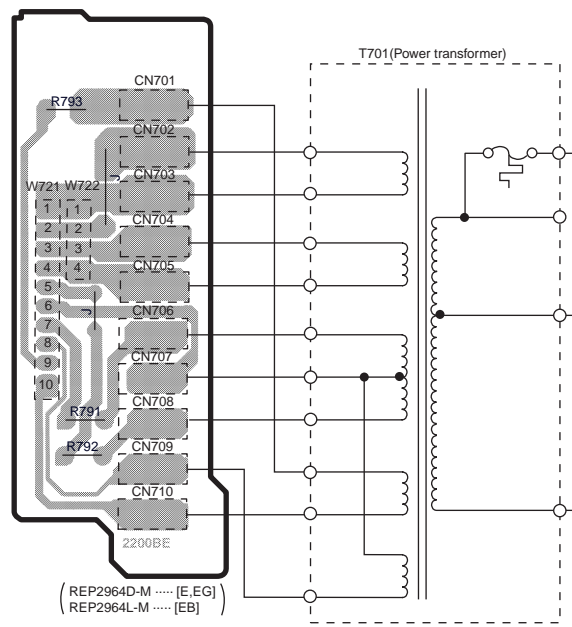
(REP2966D-S [E,EG])
(REP2966E-S [EB])

ELECTRICAL PARTS LOCATION

Ref. No.	Lo. No.	Ref. No.	Lo. No.
D SPEAKER TERMINAL P.C.B.			
Q726	2D	JK701	5B
Q791	1C	FC1	3A
D500	1C	FC2	3A
D711	2D	W1	2B
D740	1D	W2/W3	3B
D741	3C	R771	1D
D742	3D	R772	2D
D743	3C	R773	1D
D744	3D	R774	2D
D745	1D	R777	2C
D746	2D	R794	1C
D747	2D	R795	1D
L701	4B	C753	3C
T702	2C	C754	2D
Z701	3B	C755	3C
F1	3A	C758	2D
RL702	2B	C759	2D
CN602	3D	C791	2B
CN603	2D		
E POWER TRANSFORMER(A) P.C.B.			
CN701	6B	CN709	8B
CN702	6B	CN710	8B
CN703	7B	W21	7A
CN704	7B	W22	7A
CN705	7B	R791	8A
CN706	7B	R792	8A
CN707	7B	R793	6A
CN708	8B		
F POWER TRANSFORMER(B) P.C.B.			
CN711	6D	W1	6E
CN712	7D	W2	7E
CN713	7D	W3	7E

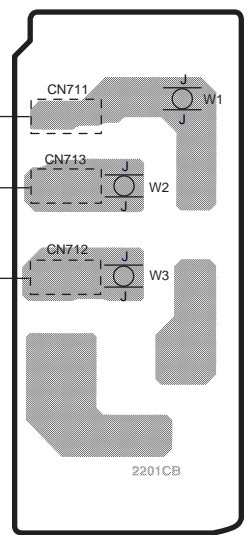
E POWER TRANSFORMER (A) P.C.B.

6
7
8

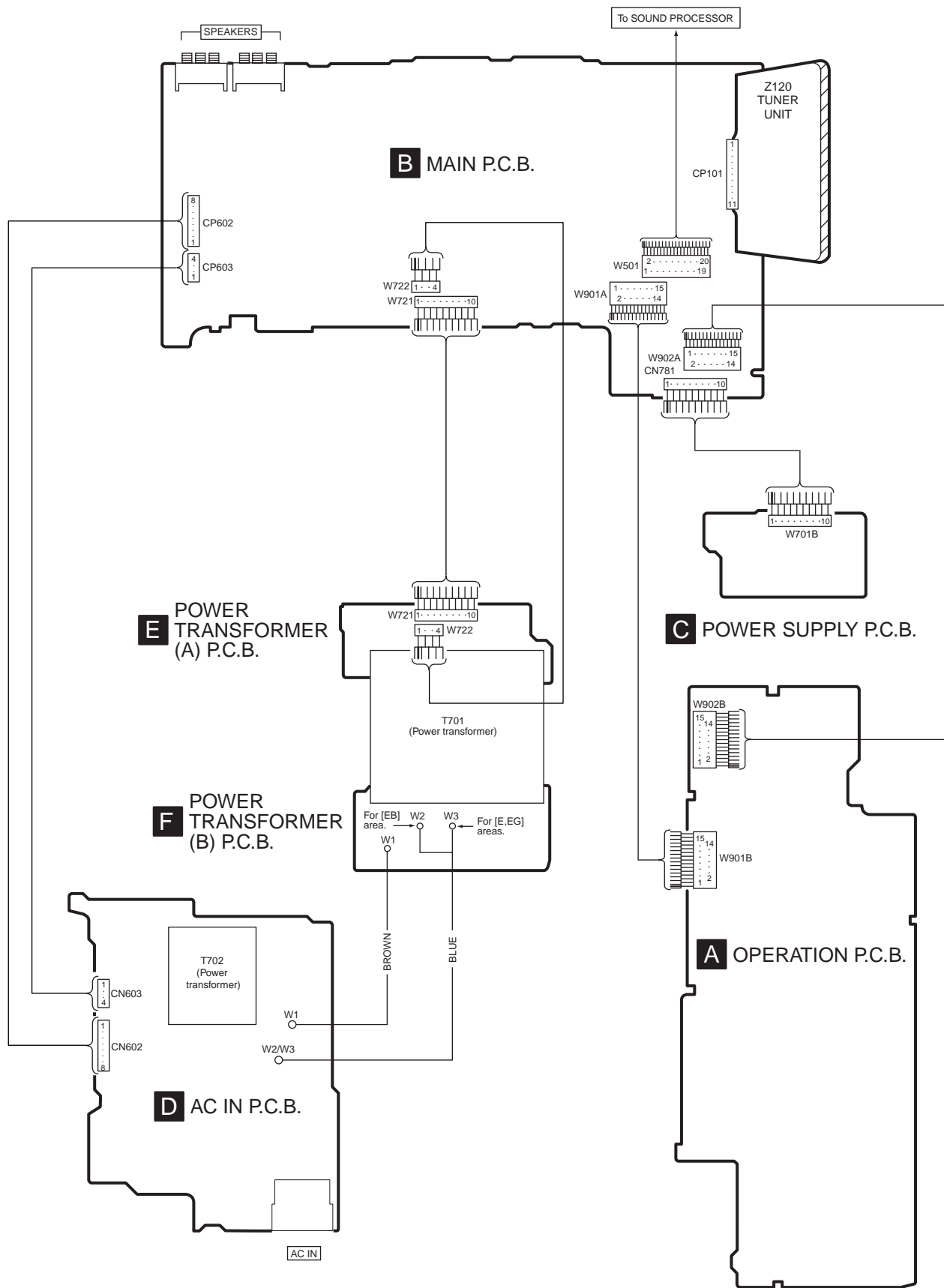


(REP2964D-M [E,EG])
(REP2964L-M [EB])

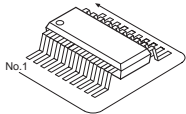
F POWER TRANSFORMER (B) P.C.B.



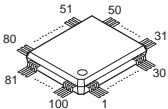
(REP2966D-S [E,EG])
(REP2966E-S [EB])



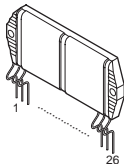
LC72721NMTLM 20PIN



LC8A524A5N28

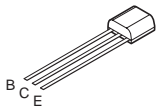


RSN311W64A

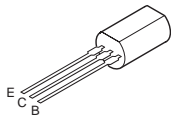


2SD2137PQTA
UN411FTA
UN4115TA
UN4211TA
UN4212TA

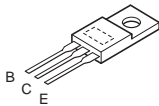
2SA1995RSTA
2SC5398RSTA



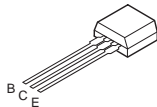
2SC3940AQSTA



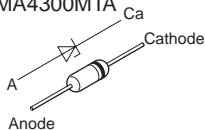
2SB1548PQAU
2SD2374PQAU



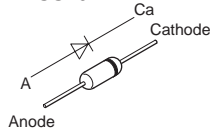
2SA1995RSTA
2SC5398RSTA
2SD2144STA



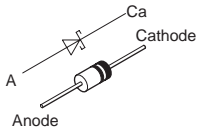
MA4091HTA
MA4100MTA
MA4150HTA
MA4300MTA



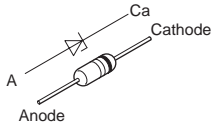
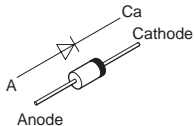
MA165TA
MA700ATA
1SS291TA



SB360L6508

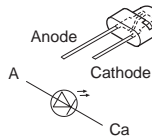


1N5402BM21
RL1N4003N02

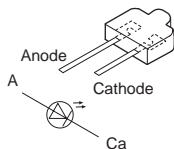


MA4030MTA
MA4051MTA
MA4068LTA
MA4075MTA
MA4082LTA

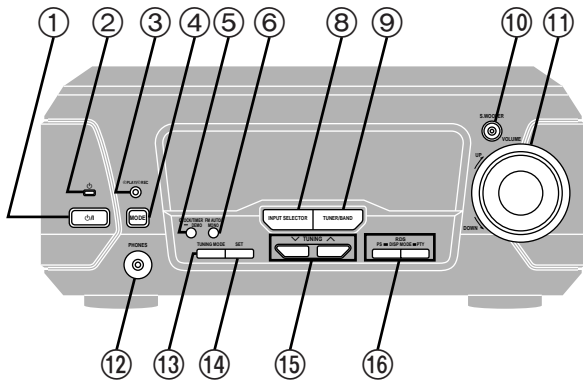
LNJ301MPUJAD



SELS5223C
SELS5923C



A

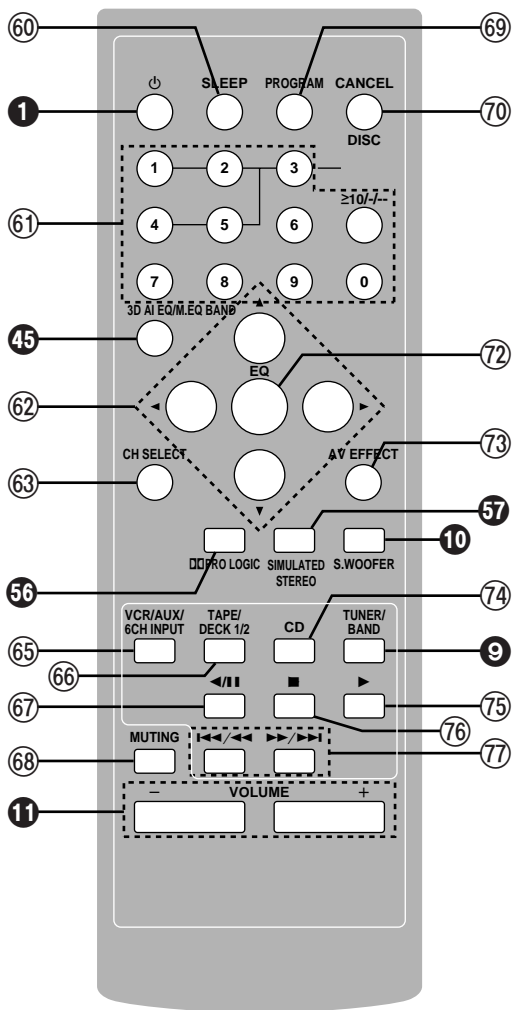


A

Tuner amplifier

- ① **Standby/on switch (⏻/⏻)**
Press to switch the unit from on to standby mode or vice versa. In standby mode, the unit is still consuming a small amount of power.
- ② **Standby indicator (⏻)**
When the unit is connected to the AC mains supply, this indicator lights up in standby mode and goes out when the unit is turned on.
- ③ **Play timer/record timer button and indicator (⏻/⏻)**
- ④ **ECO mode button (MODE)**
- ⑤ **Clock/timer, demo button (CLOCK/TIMER, -DEMO)**
- ⑥ **FM mode button (FM AUTO/MONO)**
- ⑧ **Source input button (INPUT SELECTOR)**
- ⑨ **Tuner/band button (TUNER/BAND)**
- ⑩ **Super woofer button and indicator (S.WOOFER)**
- ⑪ **Volume control (VOLUME)**
- ⑫ **Headphone jack (PHONES)**
- ⑬ **Tuning mode button (TUNING MODE)**
- ⑭ **Set button (SET)**
- ⑮ **Tuning buttons (∇, ▲, TUNING)**
- ⑯ **Except for United Kingdom**
RDS display mode buttons (RDS, PS-DISP MODE-PTY)

B



B

Remote controls

- Buttons ①, ⑨-⑪, and ⑤⑤-⑤⑦ function in the same way as the controls on the main unit.
- ⑥① **Sleep timer button (SLEEP)**
 - ⑥② **Numbered buttons (1-9, 0, ≥10/--)**
 - ⑥③ **Cursor buttons (◀, ▶, ▲, ▼)**
 - ⑥⑤ **VCR button (VCR)**
 - ⑥⑥ **TAPE select, deck 1/deck 2 select button (TAPE/DECK 1/2)**
 - ⑥⑦ **CD pause/Tape reverse playback button (⏮/⏮)**
 - ⑥⑧ **Muting button (MUTING)**
 - ⑥⑨ **Program button (PROGRAM)**
 - ⑦① **Cancel button (CANCEL)**
 - ⑦② **EQ button (EQ)**
 - ⑦③ **AV effect button (AV EFFECT)**
 - ⑦④ **CD button (CD)**
 - ⑦⑤ **CD play/tape forward playback button (▶)**
 - ⑦⑥ **CD/tape stop button (■)**
 - ⑦⑦ **CD skip/search, tape fast forward/rewind buttons (⏮/◀, ▶/⏭)**