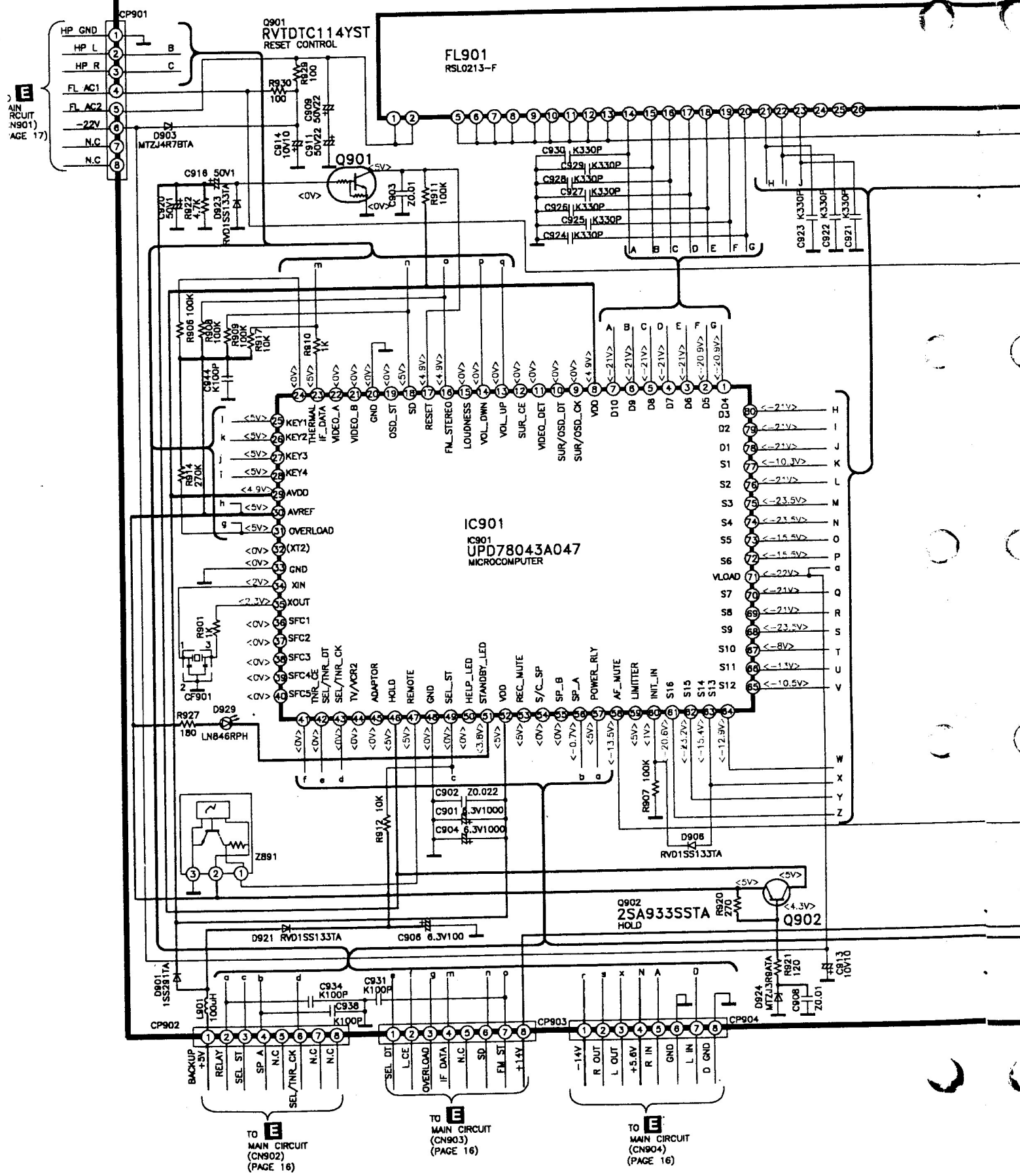


**B** PANEL CIRCUIT

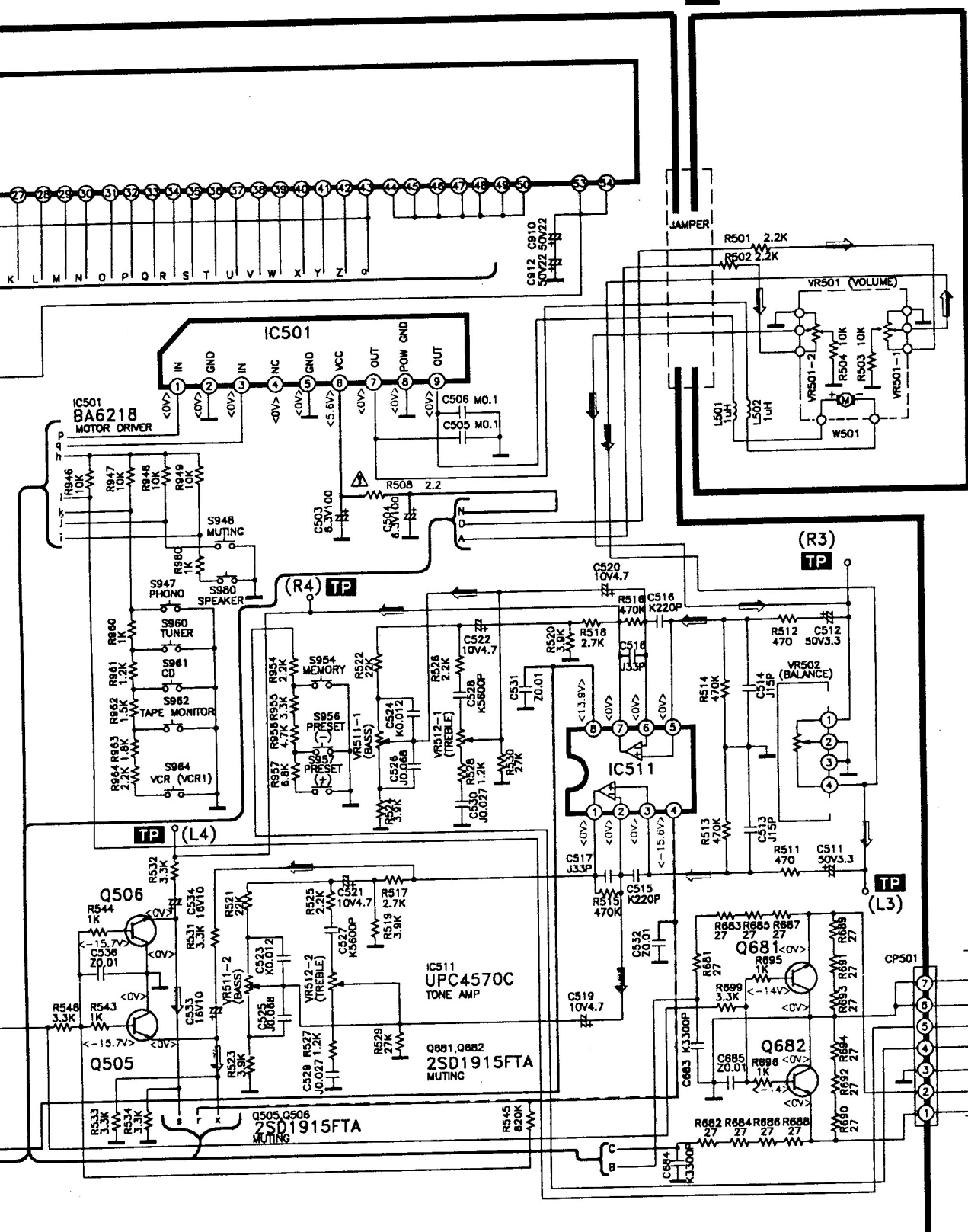


TO **E** MAIN CIRCUIT (CN902) (PAGE 16)

TO **E** MAIN CIRCUIT (CN903) (PAGE 16)

TO **E** MAIN CIRCUIT (CN904) (PAGE 16)

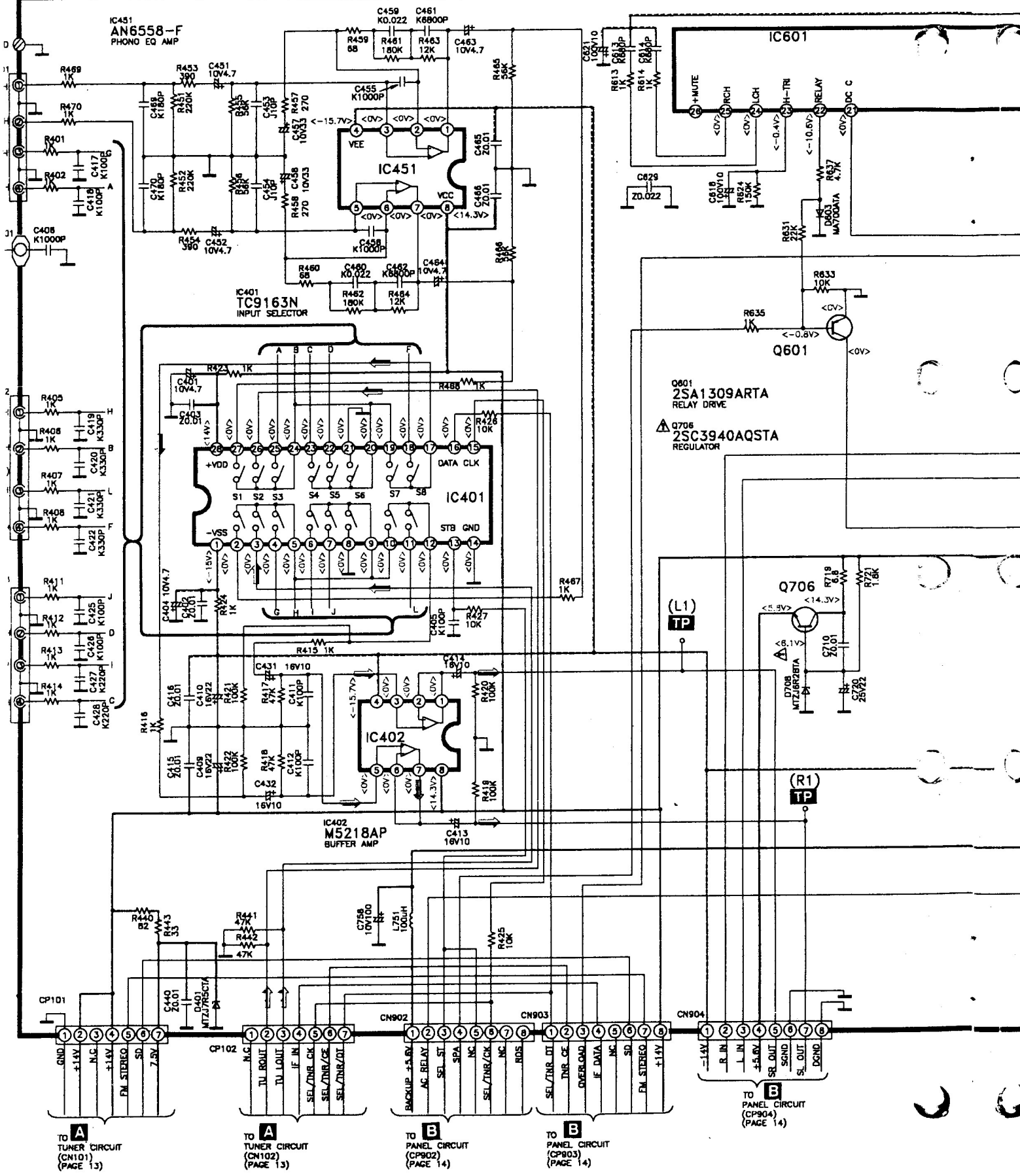
**C** VOLUME CIRCUIT



TO **D** HEADPHONE CIRCUIT (CN501) (PAGE 18)



# MAIN CIRCUIT



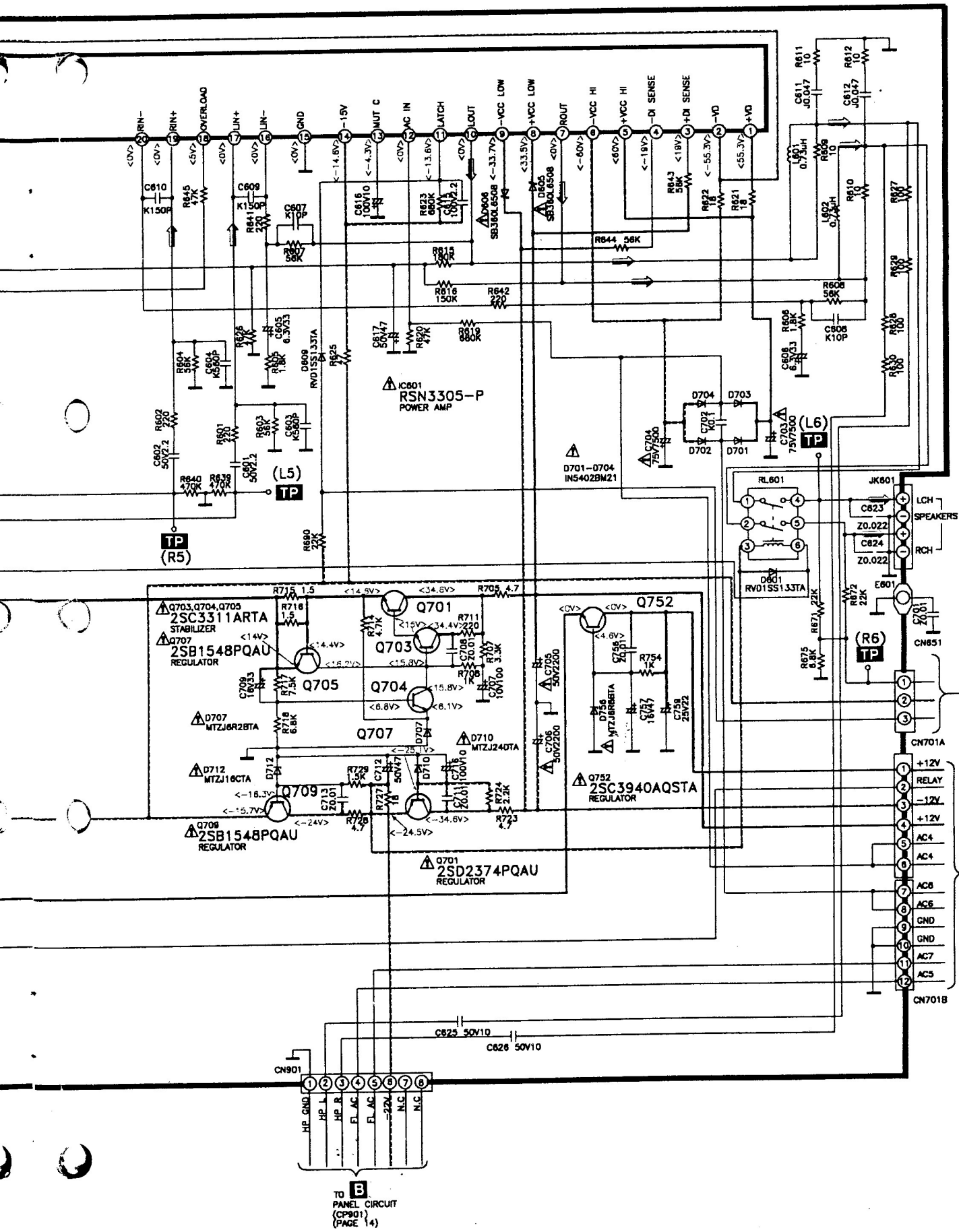
TO **A** TUNER CIRCUIT (CN101) (PAGE 13)

TO **A** TUNER CIRCUIT (CN102) (PAGE 13)

TO **B** PANEL CIRCUIT (CP902) (PAGE 14)

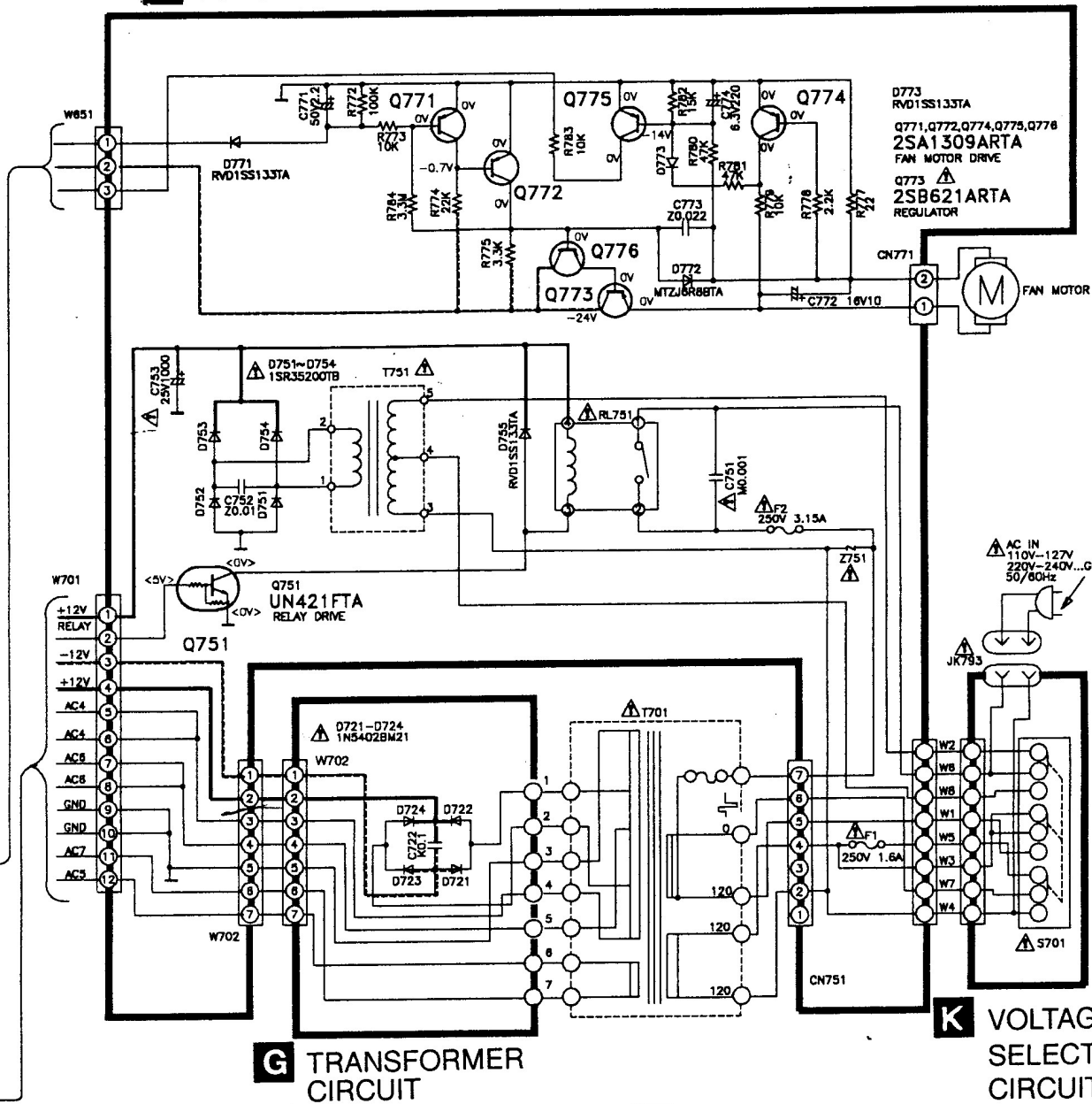
TO **B** PANEL CIRCUIT (CP903) (PAGE 14)

TO **B** PANEL CIRCUIT (CP904) (PAGE 14)



TO **B**  
 PANEL CIRCUIT  
 (CP901)  
 (PAGE 14)

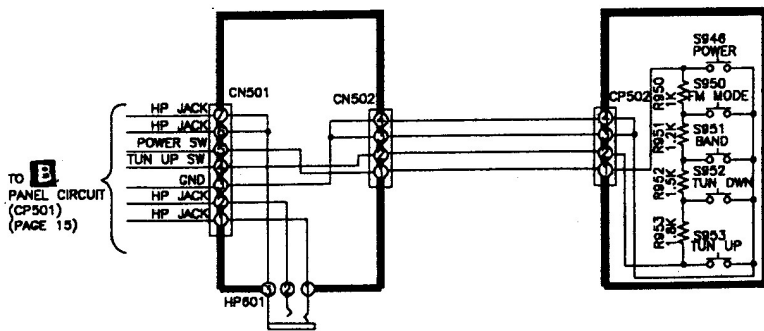
**F** POWER CIRCUIT FOR GC AREA



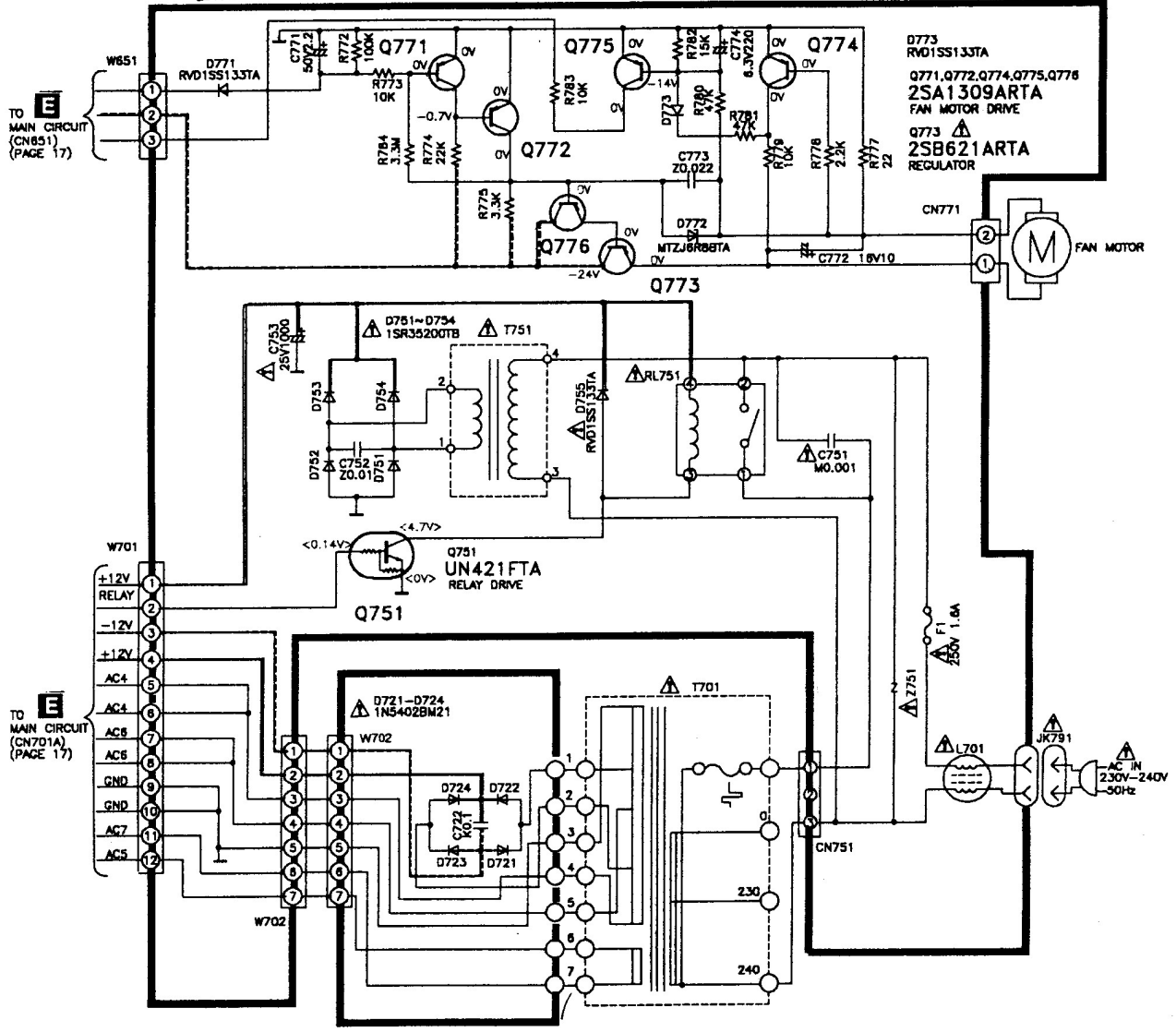
**G** TRANSFORMER CIRCUIT

**D** HEADPHONE JACK CIRCUIT

**H** OPERATION CIRCUIT



**F** POWER CIRCUIT FOR GN AREA



**G** TRANSFORMER CIRCUIT