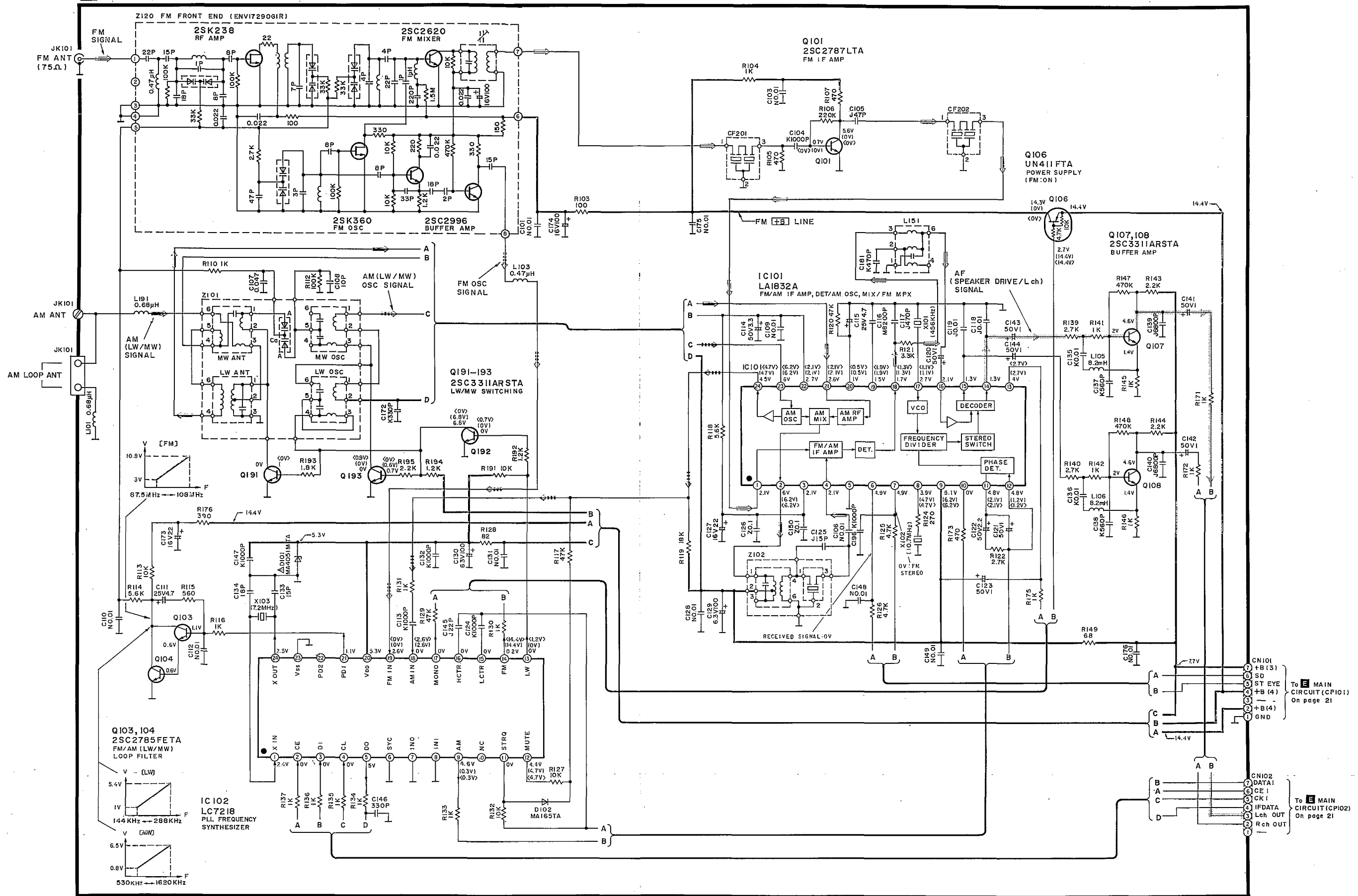


A TUNER CIRCUIT For [E,EB,EP,G,GN] areas.

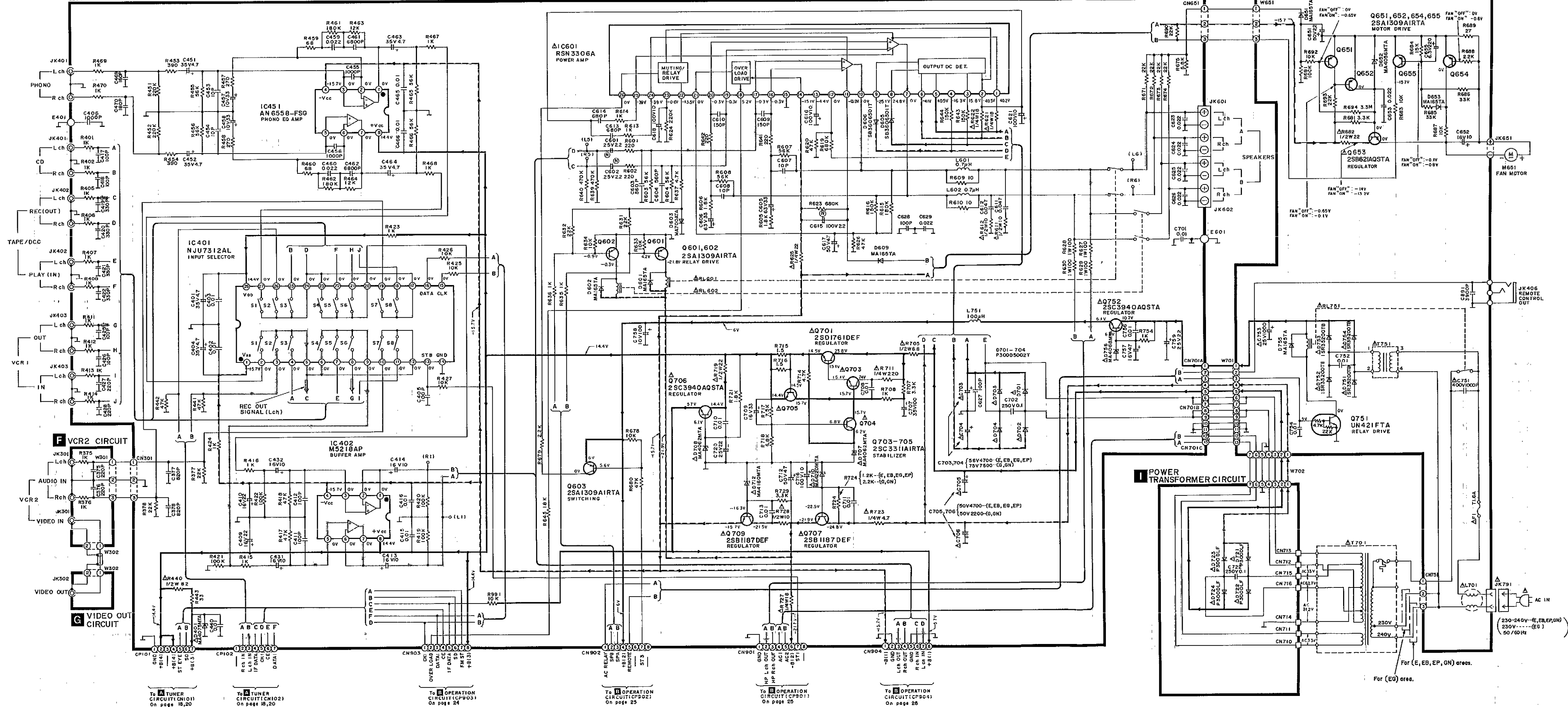


To **E** MAIN CIRCUIT (CP101) On page 21

To **E** MAIN CIRCUIT (CP102) On page 21

E MAIN CIRCUIT (PHONO EQ AMP/ INPUT SELECTOR/ BUFFER AMP/ POWER AMP/ REGULATOR)

H POWER SUPPLY CIRCUIT



To **A** TUNER CIRCUIT (CN101) On page 18,20

To **B** TUNER CIRCUIT (CN102) On page 18,20

To **C** OPERATION CIRCUIT (CN901) On page 24

To **D** OPERATION CIRCUIT (CN902) On page 25

To **E** OPERATION CIRCUIT (CN903) On page 25

1 2 3 4 5 6 7 8 9 10 11 12 13 14

Power Source Circuit For (G) area.

