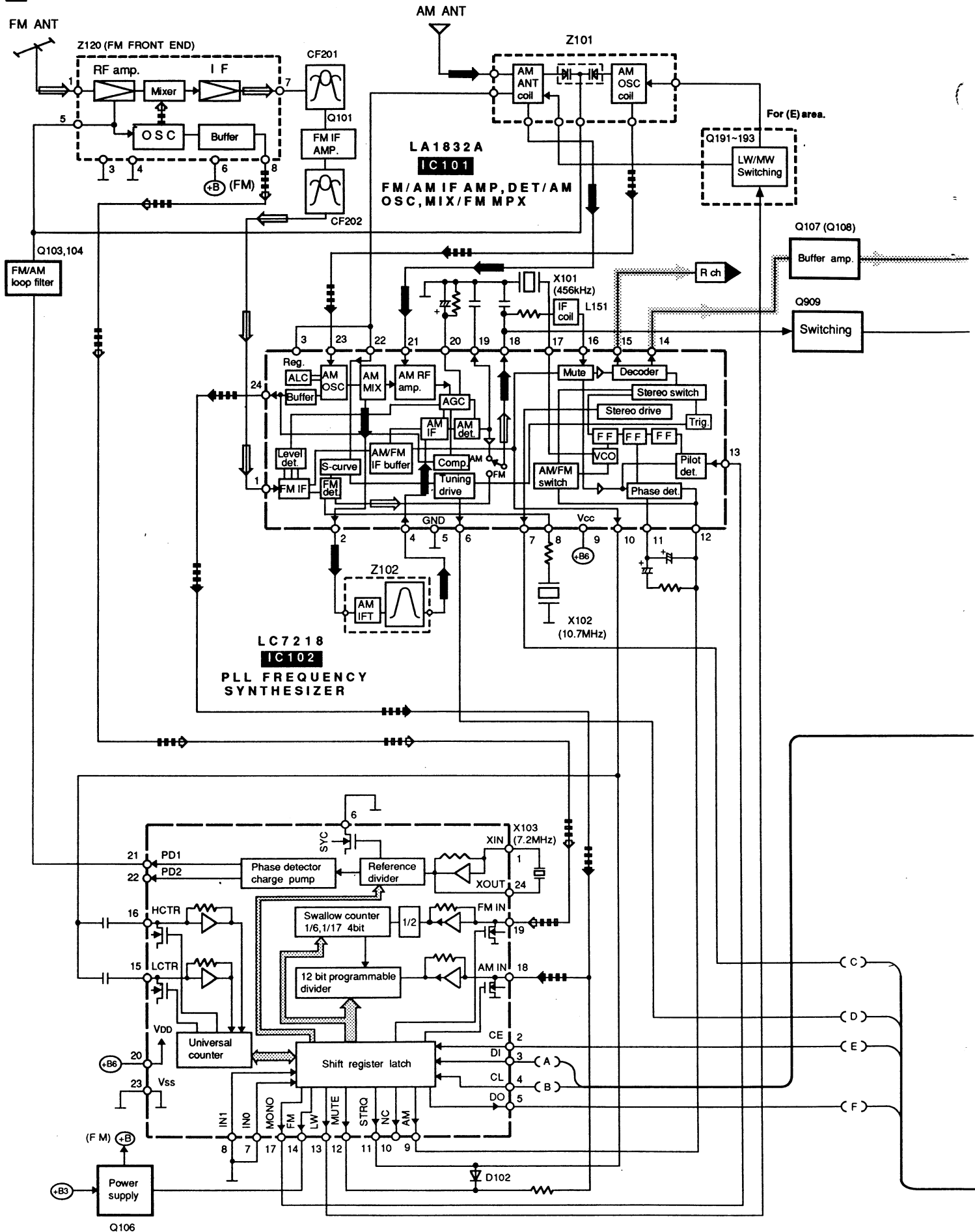
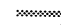
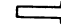




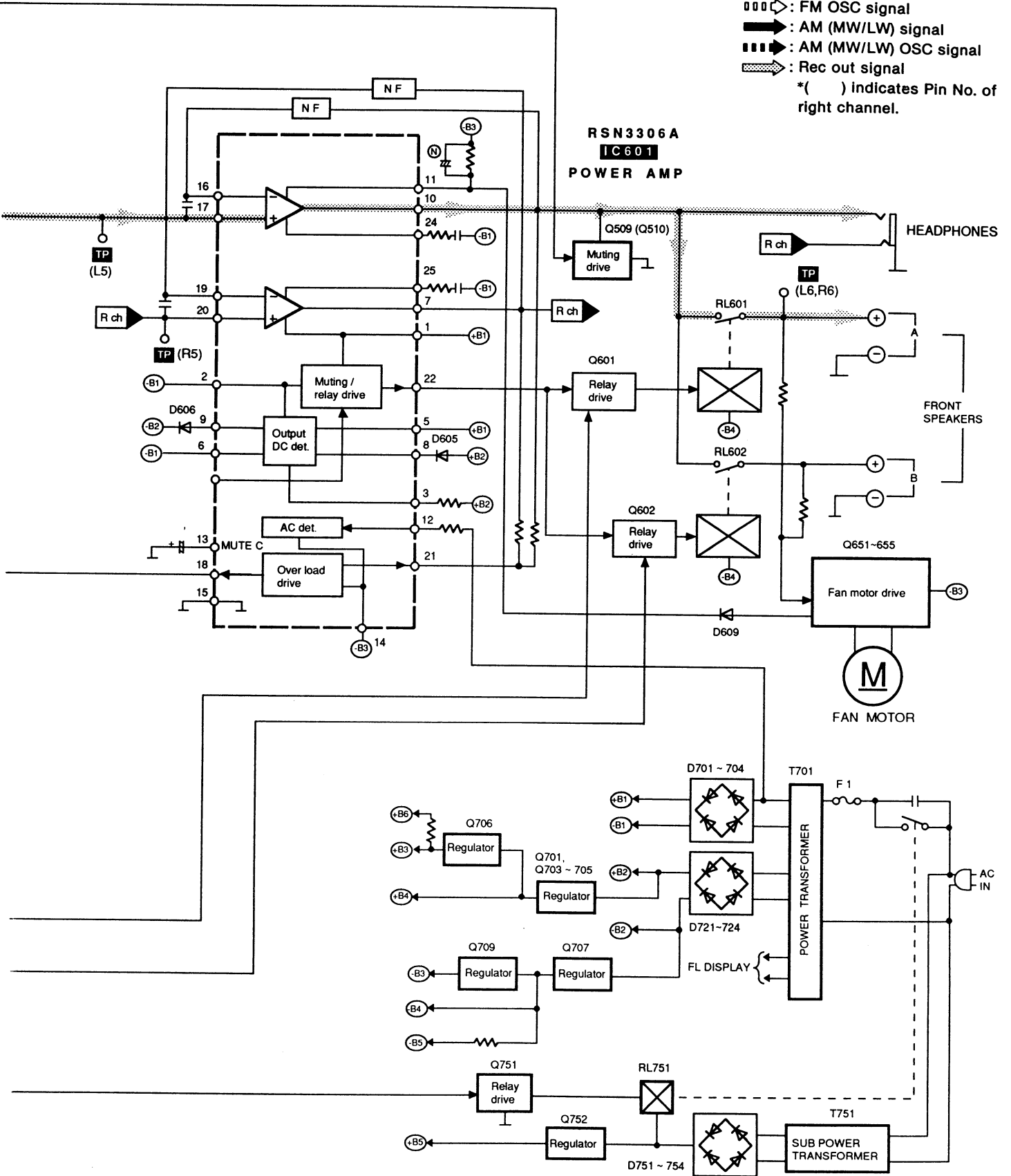


BLOCK DIAGRAM



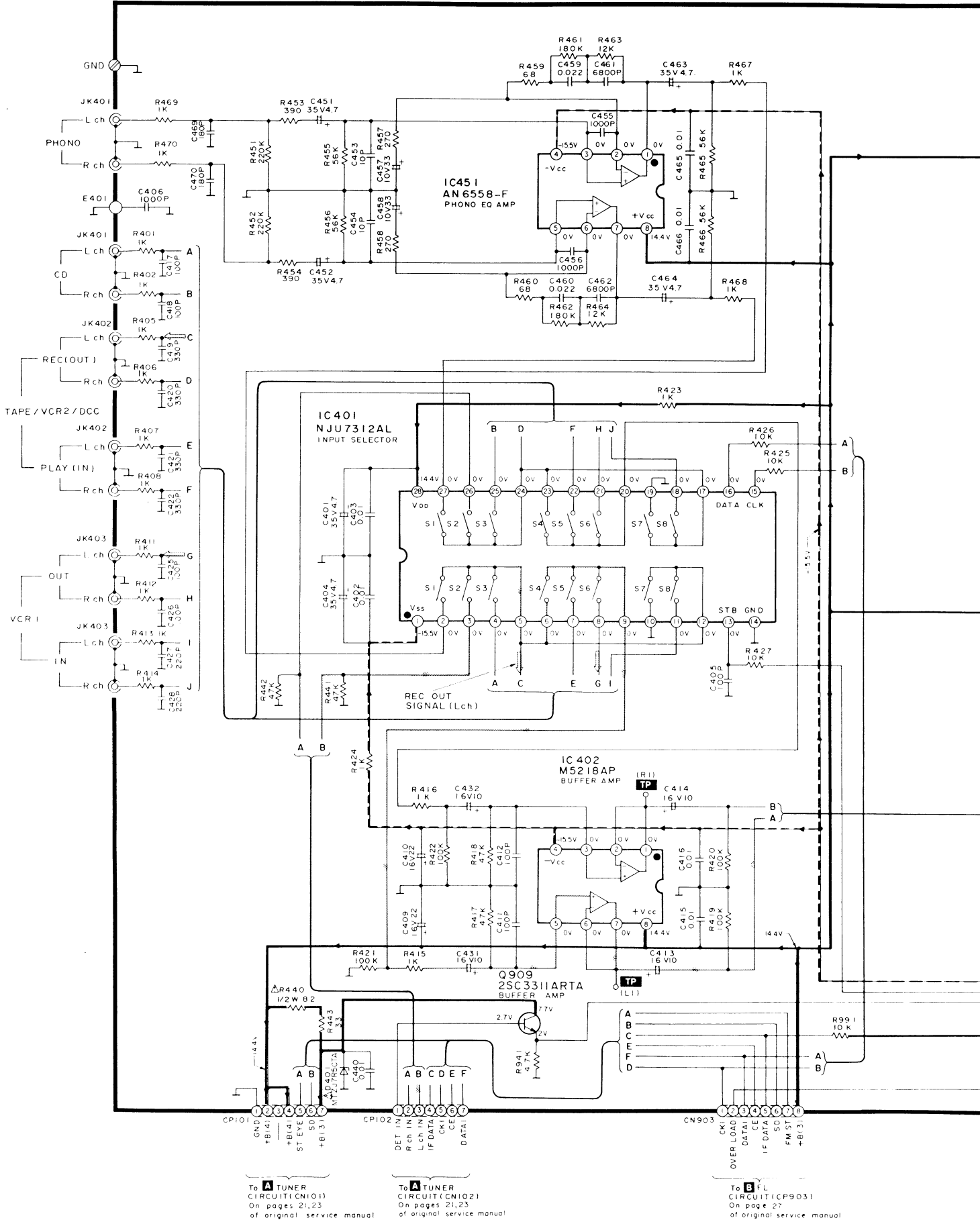
Notes:

-  : AF signal
 -  : FM signal
 -  : FM OSC signal
 -  : AM (MW/LW) signal
 -  : AM (MW/LW) OSC signal
 -  : Rec out signal
- *() indicates Pin No. of right channel.



SCHEMATIC DIAGRAM (SA-GX280 Service Manual of pages 24~29.)

E MAIN CIRCUIT (P.C.Board: on pages 8,9)

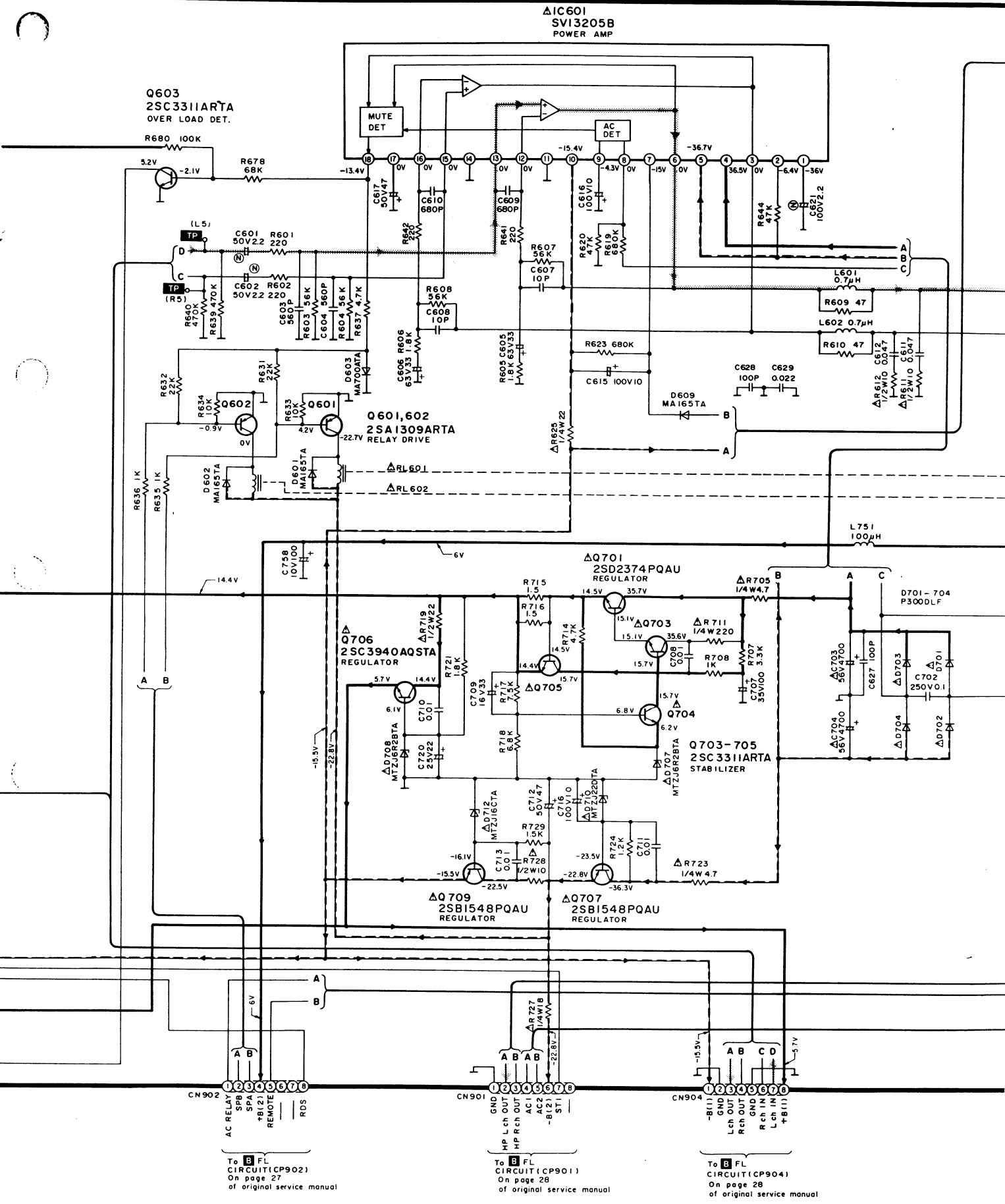


To **A** TUNER
CIRCUIT (CN101)
On pages 21,23
of original service manual

To **A** TUNER
CIRCUIT (CN102)
On pages 21,23
of original service manual

To **B** FL
CIRCUIT (CP903)
On page 27
of original service manual

Notes: • For schematic diagram not specified in this Service Manual, refer to SA-GX280 (E) Order No. MD9505058C2.
• This schematic diagram may be modified at any time with the development of new technology.

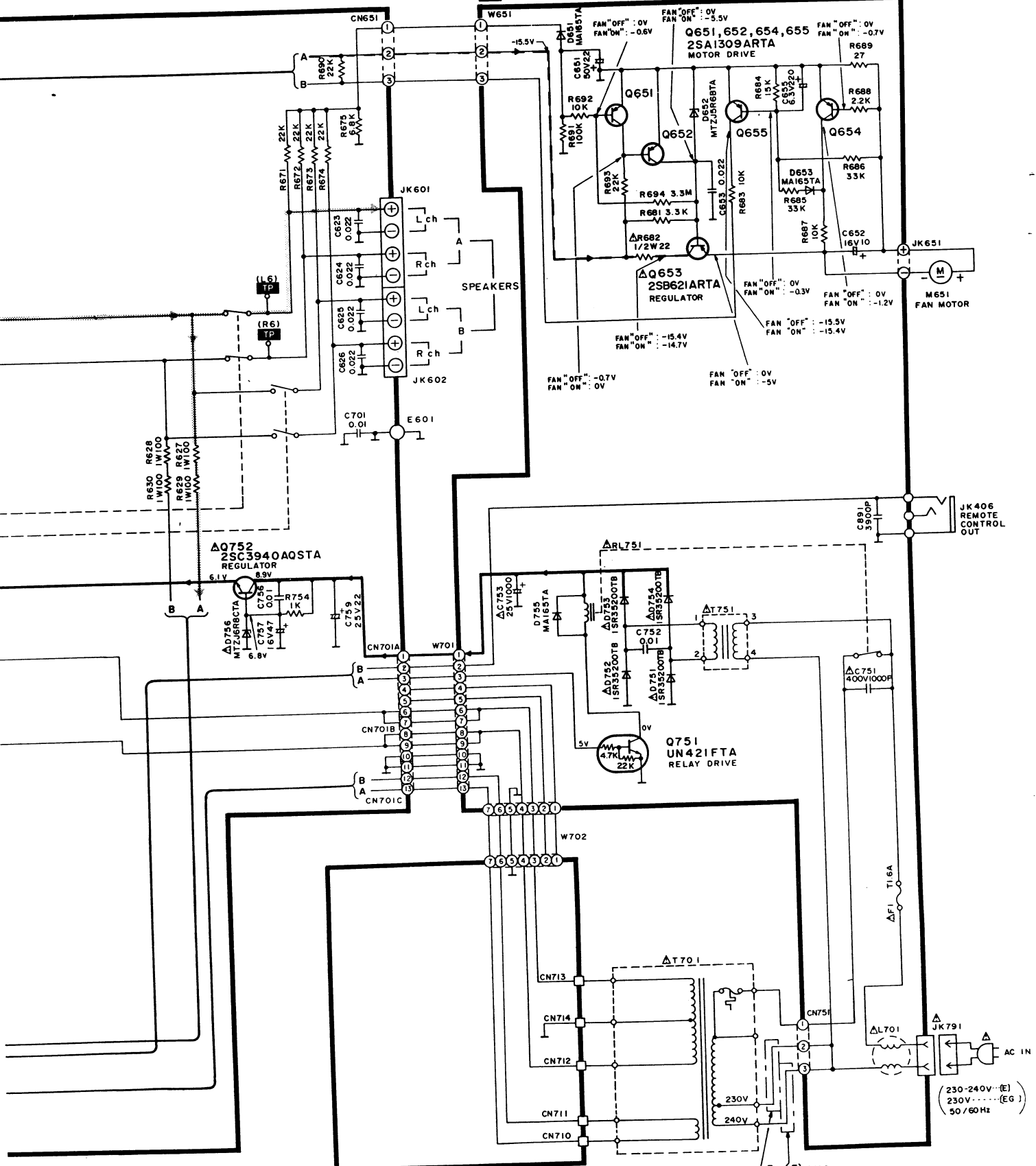


To [B] FL
CIRCUIT (CP902)
On page 27
of original service manual

To [B] FL
CIRCUIT (CP901)
On page 26
of original service manual

To [B] FL
CIRCUIT (CP904)
On page 28
of original service manual

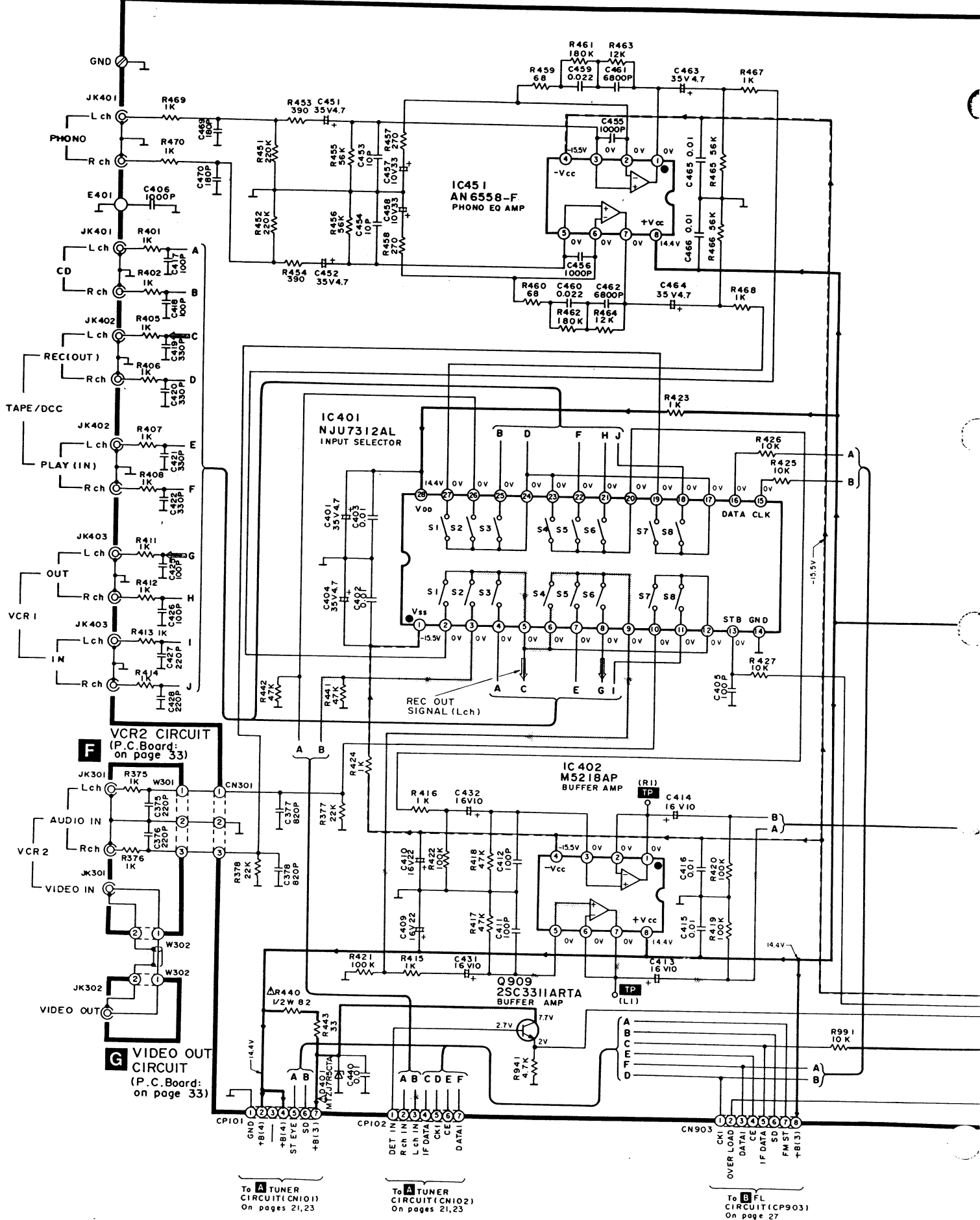
H POWER SUPPLY CIRCUIT (P.C. Board: on page 9)



POWER TRANSFORMER CIRCUIT (P.C. Board: on page 9)

For (E) area.
For (EG) area.

E MAIN CIRCUIT (P.C. Board: on pages 32,33)



To **A** TUNER CIRCUIT(CN101) On pages 21,23

To **A** TUNER CIRCUIT(CN102) On pages 21,23

To **B** FL CIRCUIT(CP903) On page 27

ΔIC601
RSN 3306A
POWER AMP

MUTING/
RELAY
DRIVE

OVER
LOAD
DRIVE

OUTPUT DC DET.

Q601,602
2SA1309ARTA
RELAY DRIVE

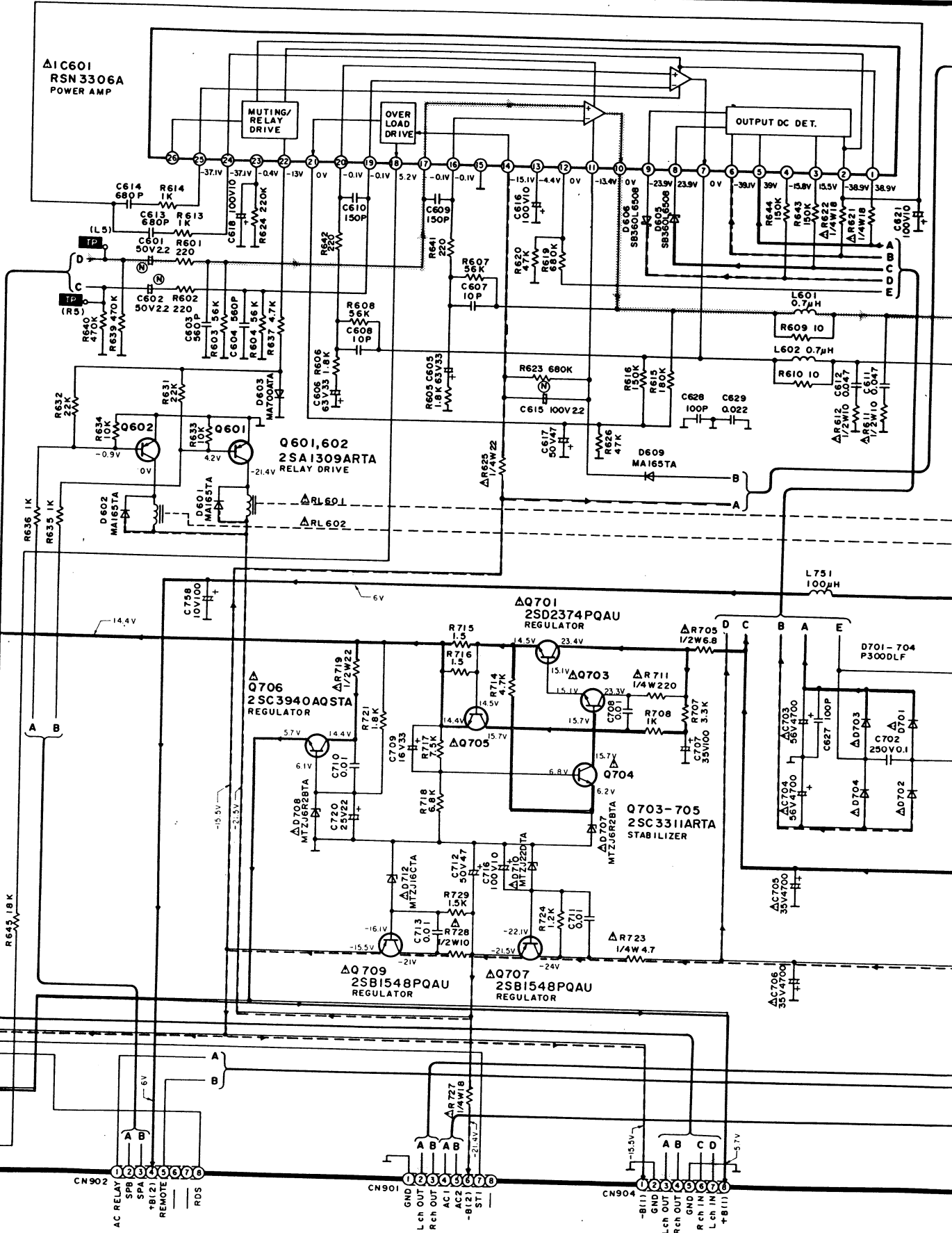
ΔQ701
2SD2374PQAU
REGULATOR

Q706
2SC3940AQSTA
REGULATOR

Q703-705
2SC3311ARTA
STABILIZER

ΔQ709
2SB1548PQAU
REGULATOR

ΔQ707
2SB1548PQAU
REGULATOR



CN902
 1 2 3 4 5 6 7 8
 AC RELAY
 SPB
 SPA
 *BI(2)
 REMOTE
 RDS

To B FL
 CIRCUIT(CP902)
 On page 27

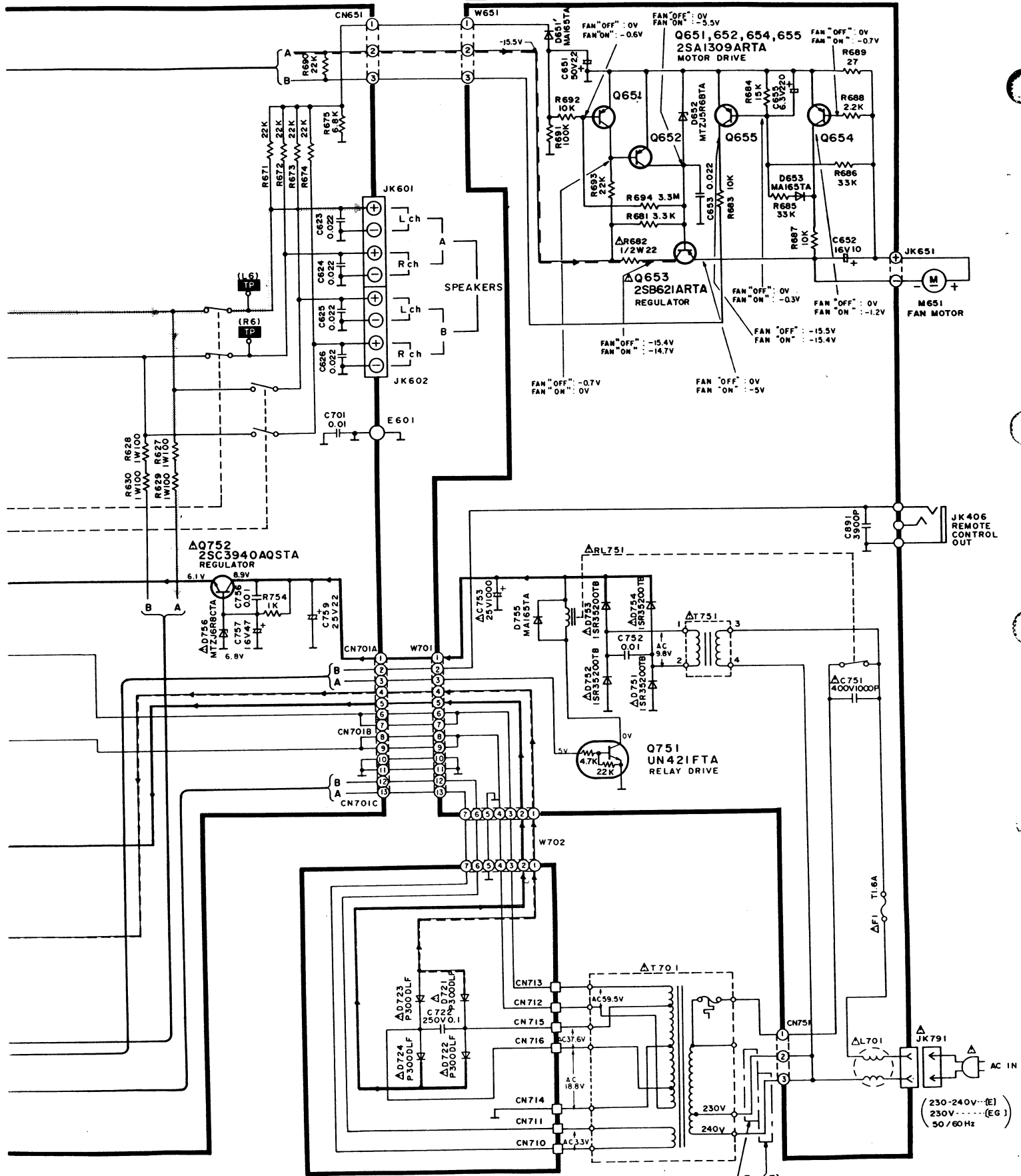
CN901
 GND
 1 2 3 4 5 6 7 8
 HP Lch OUT
 HP Rch OUT
 AC1
 AC2
 *BI(2)
 ST1

To B FL
 CIRCUIT(CP901)
 On page 28

CN904
 1 2 3 4 5 6 7 8
 -BI(1)
 GND
 Lch OUT
 Rch OUT
 GND
 Rch IN
 Lch IN
 *BI(1)

To B FL
 CIRCUIT(CP904)
 On page 28

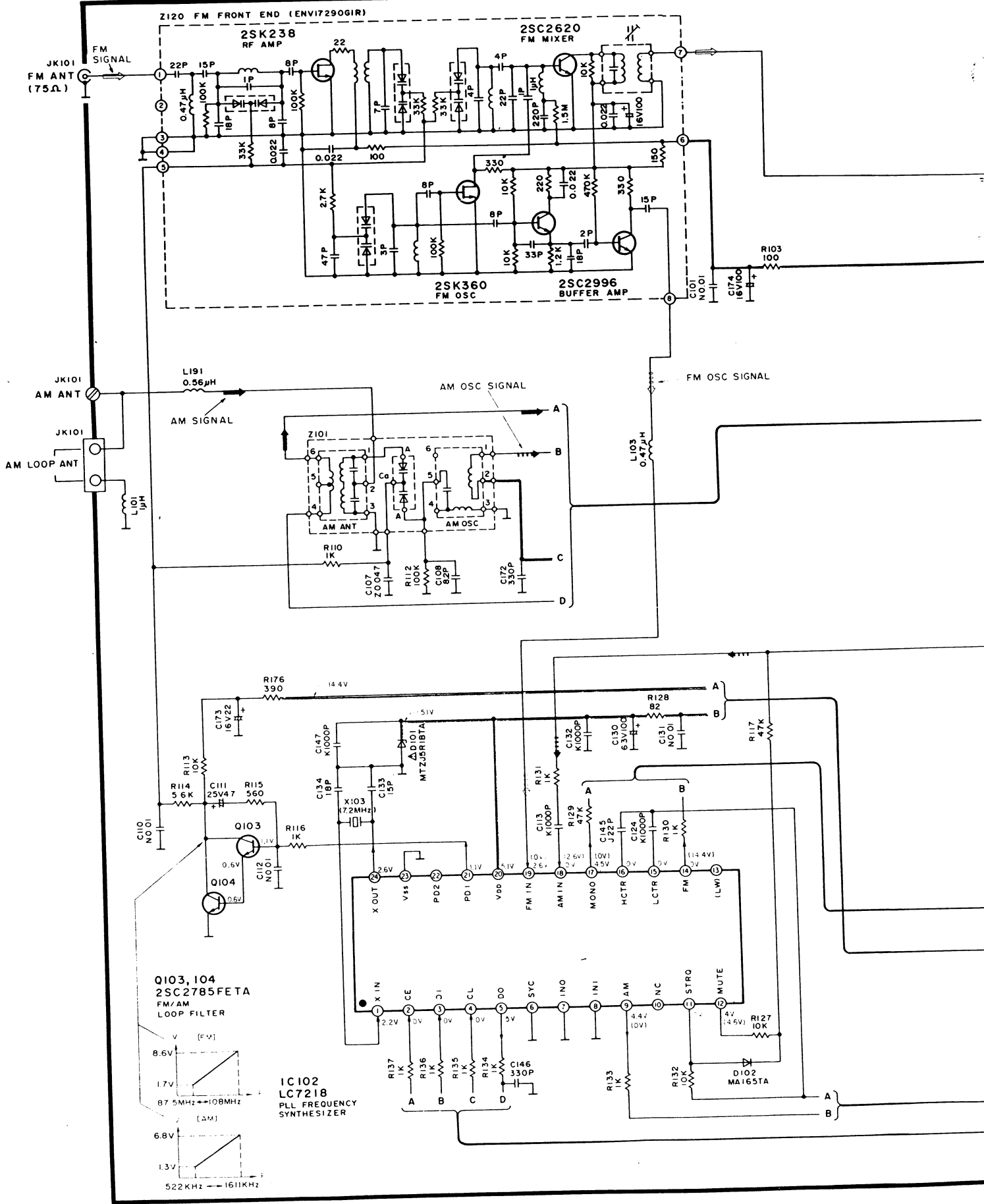
H POWER SUPPLY CIRCUIT (P.C. Board: on page 31)

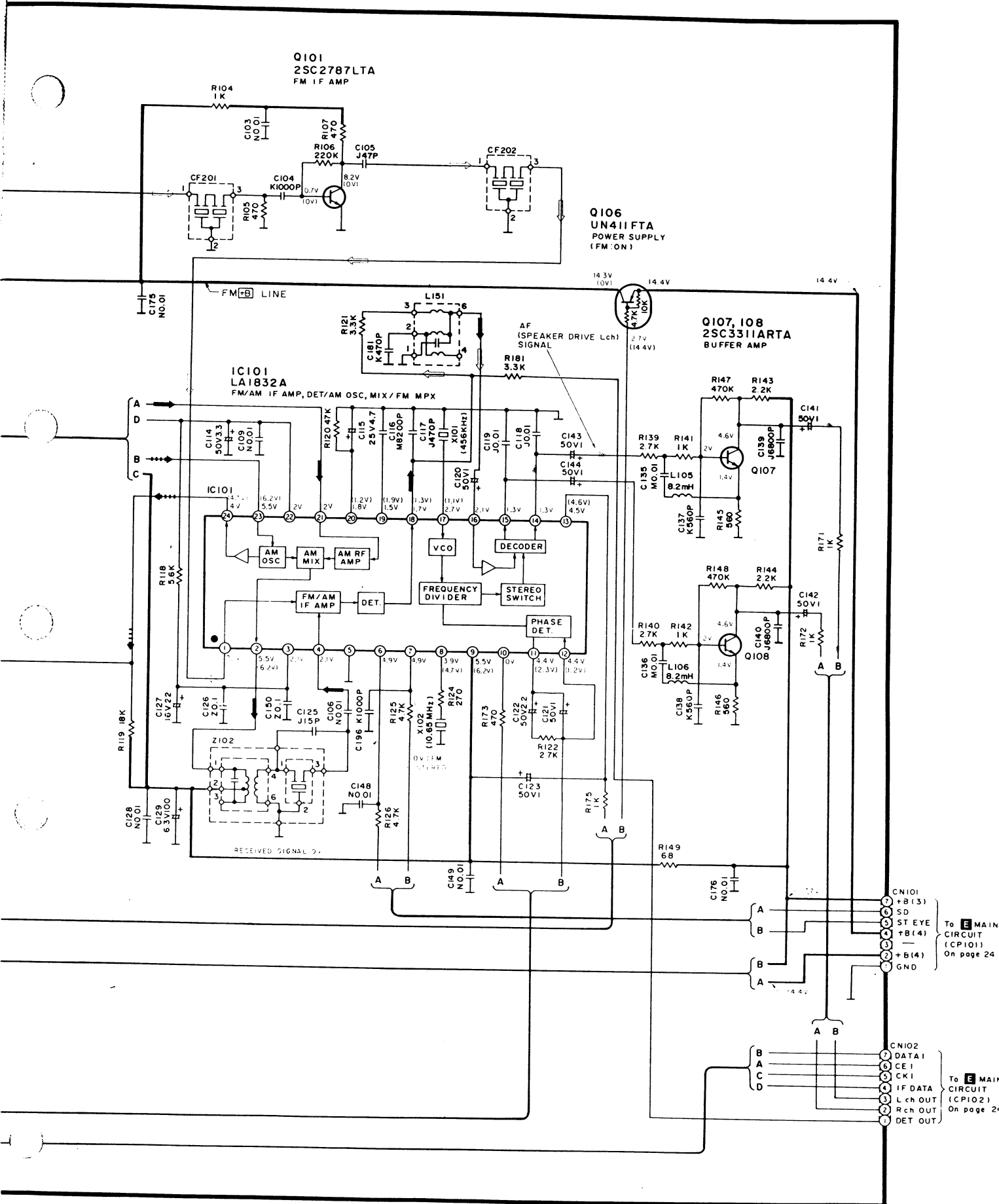


I POWER TRANSFORMER CIRCUIT (P.C. Board: on page 31)

For (E) area.
For (EG) area.

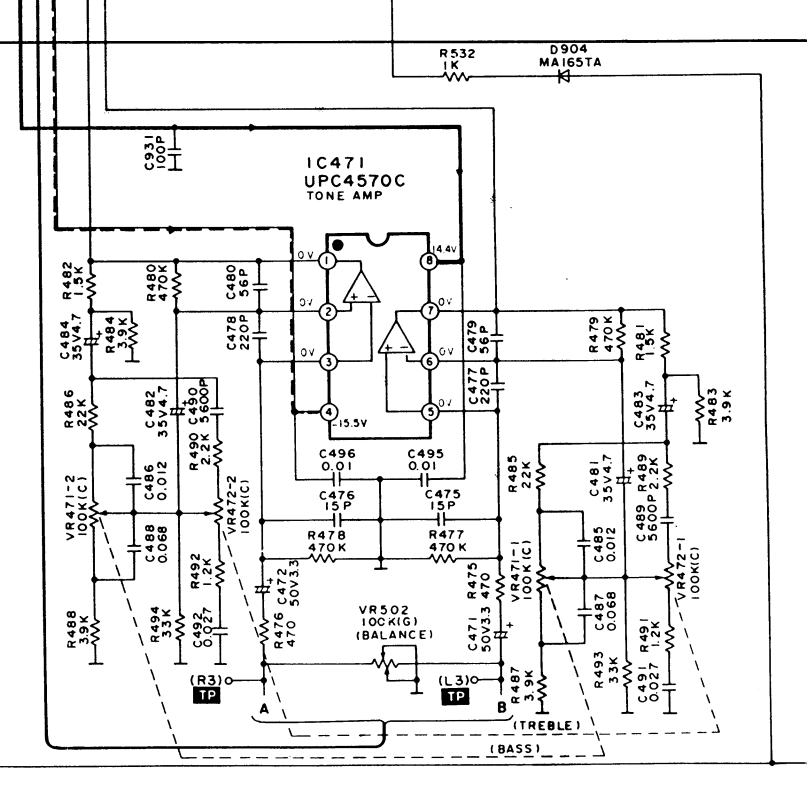
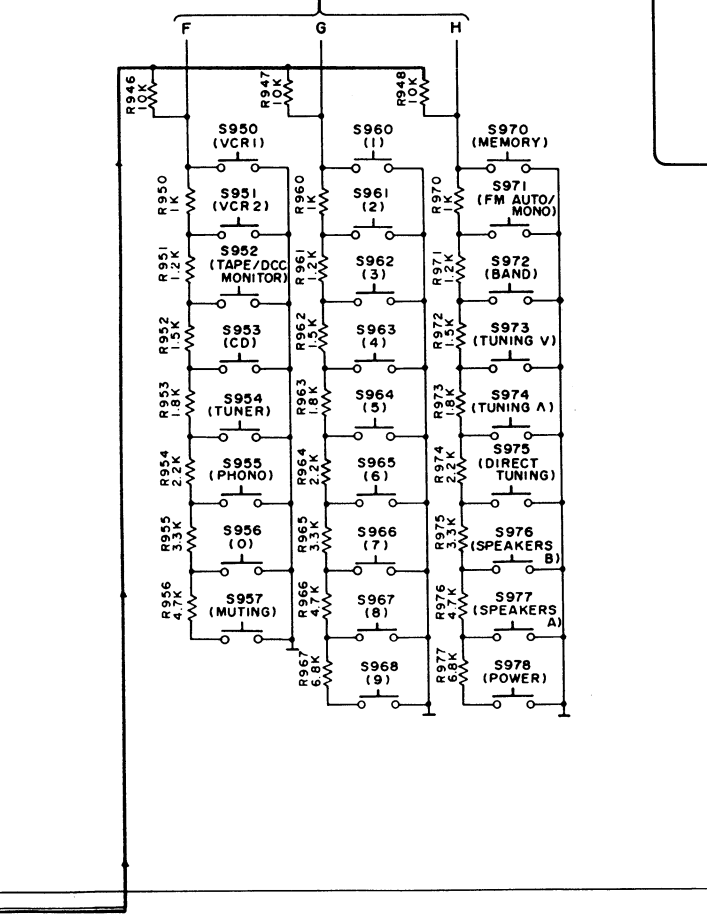
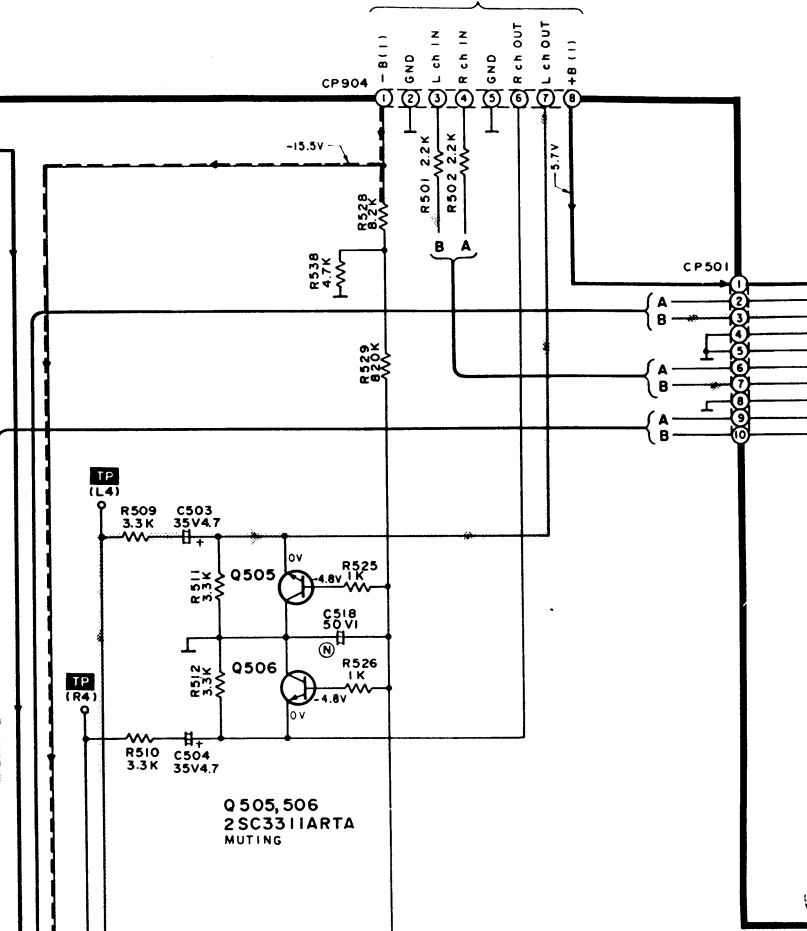
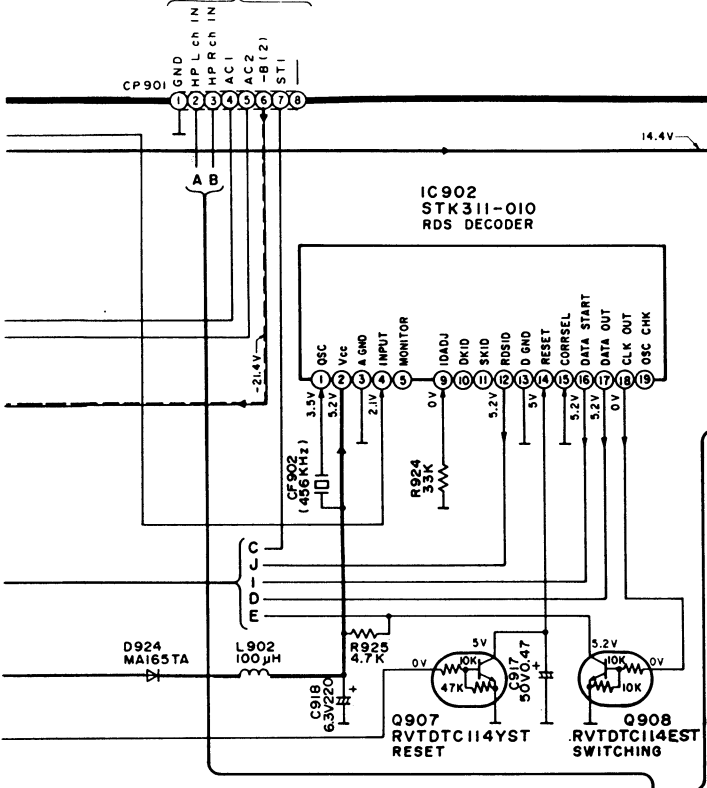
A TUNER CIRCUIT For [EG] area . (P.C. Board: on page 30)



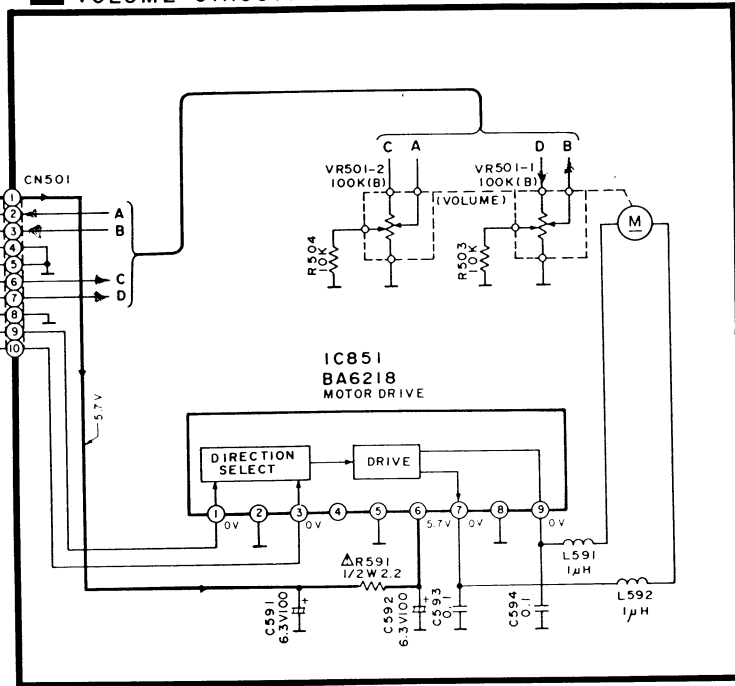


On page 25
To MAIN CIRCUIT
(CN901)

On page 25
To MAIN CIRCUIT
(CN904)



C VOLUME CIRCUIT (P.C.Board: on page 30)



D HEADPHONES JACK CIRCUIT (P.C.Board: on page 30)

