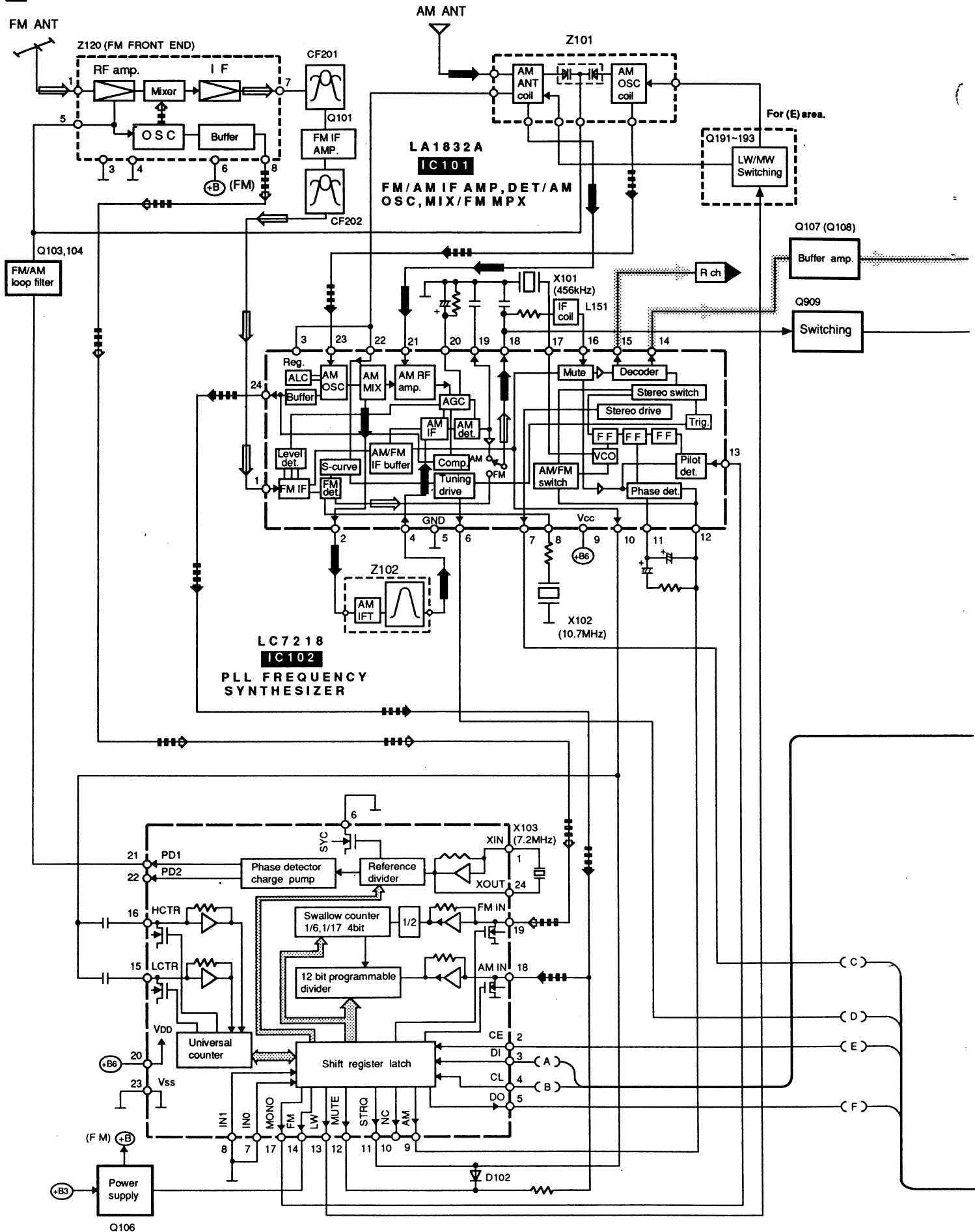
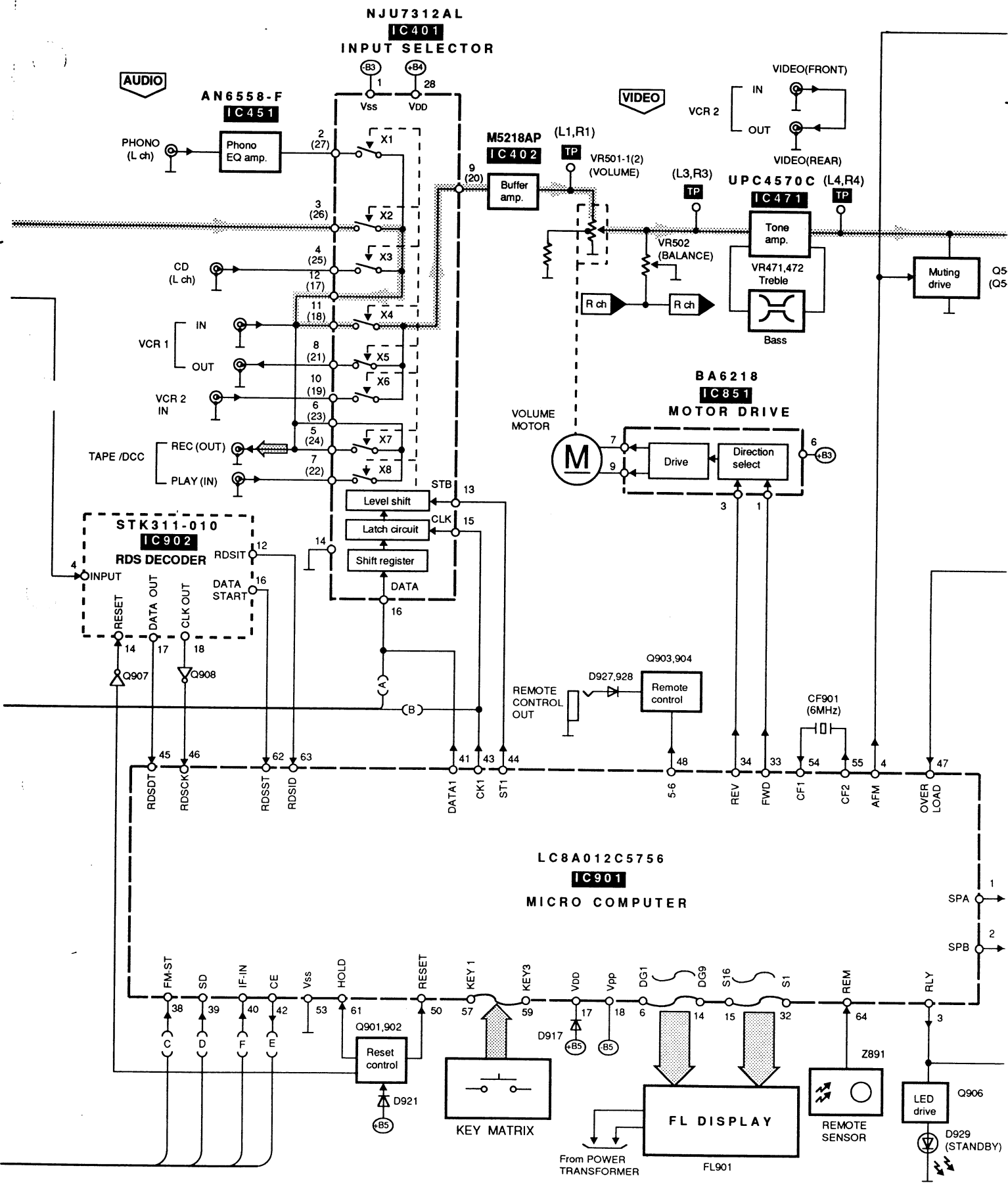
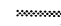
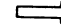






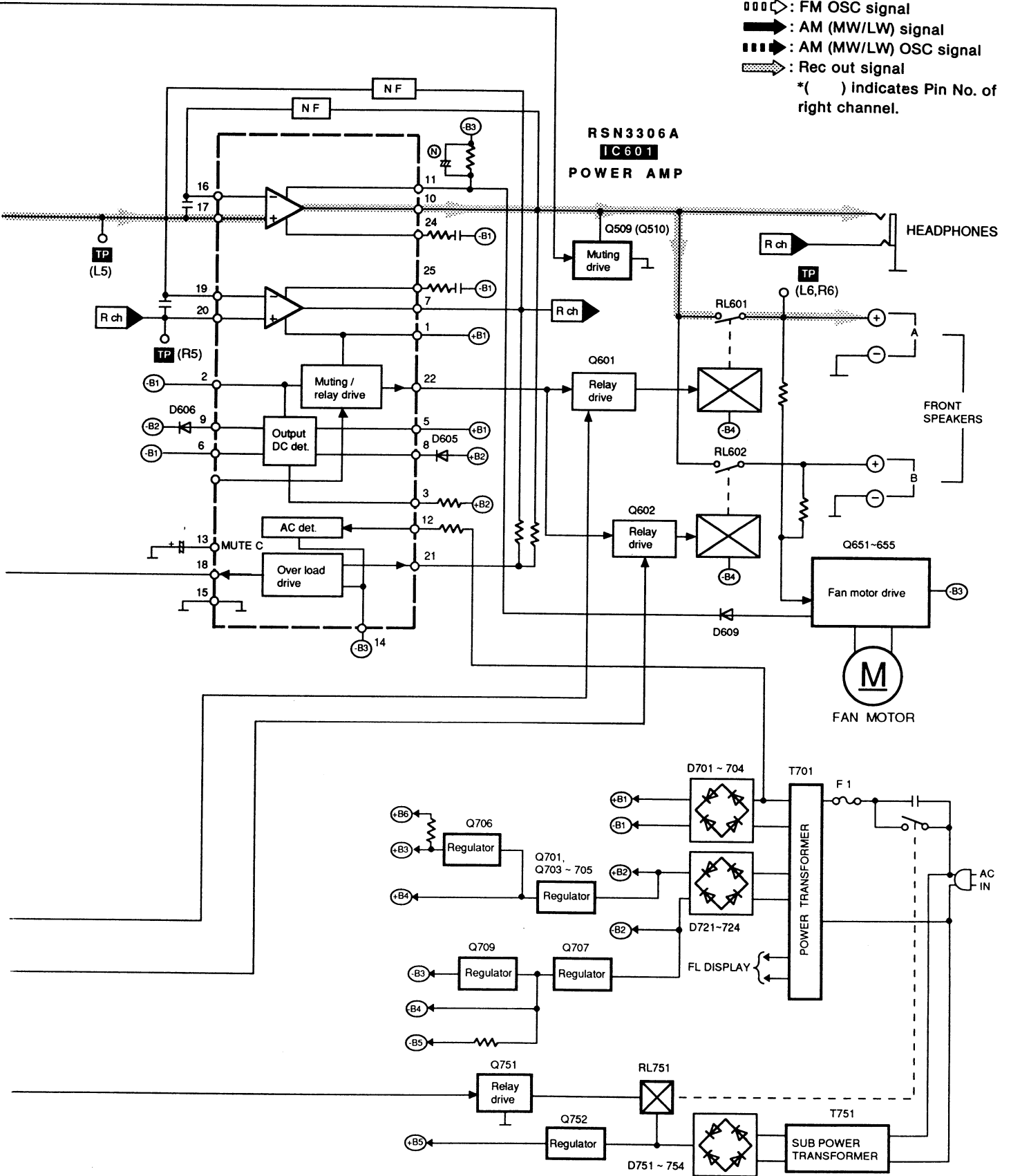
BLOCK DIAGRAM





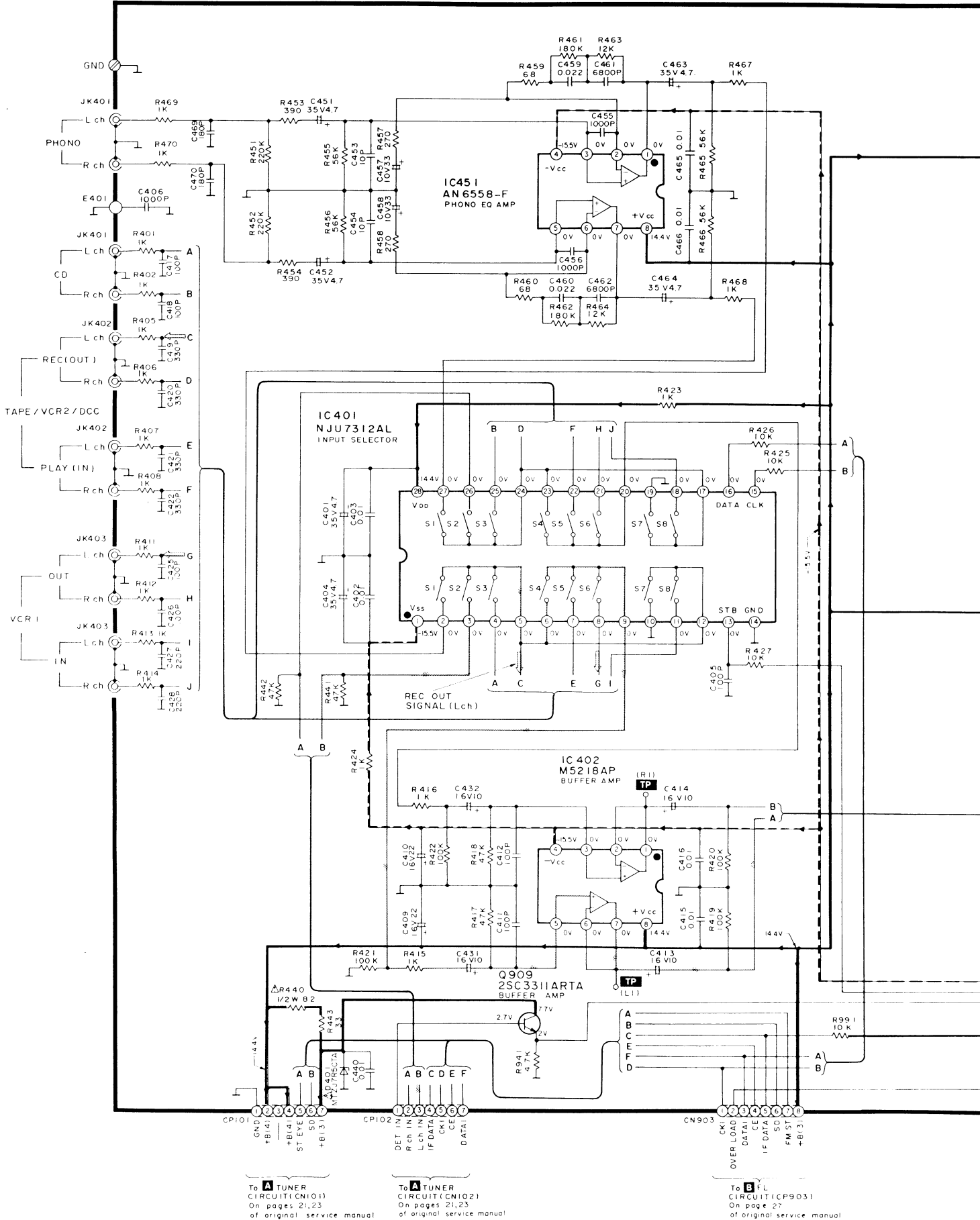
Notes:

-  : AF signal
 -  : FM signal
 -  : FM OSC signal
 -  : AM (MW/LW) signal
 -  : AM (MW/LW) OSC signal
 -  : Rec out signal
- *() indicates Pin No. of right channel.



SCHEMATIC DIAGRAM (SA-GX280 Service Manual of pages 24~29.)

E MAIN CIRCUIT (P.C.Board: on pages 8,9)

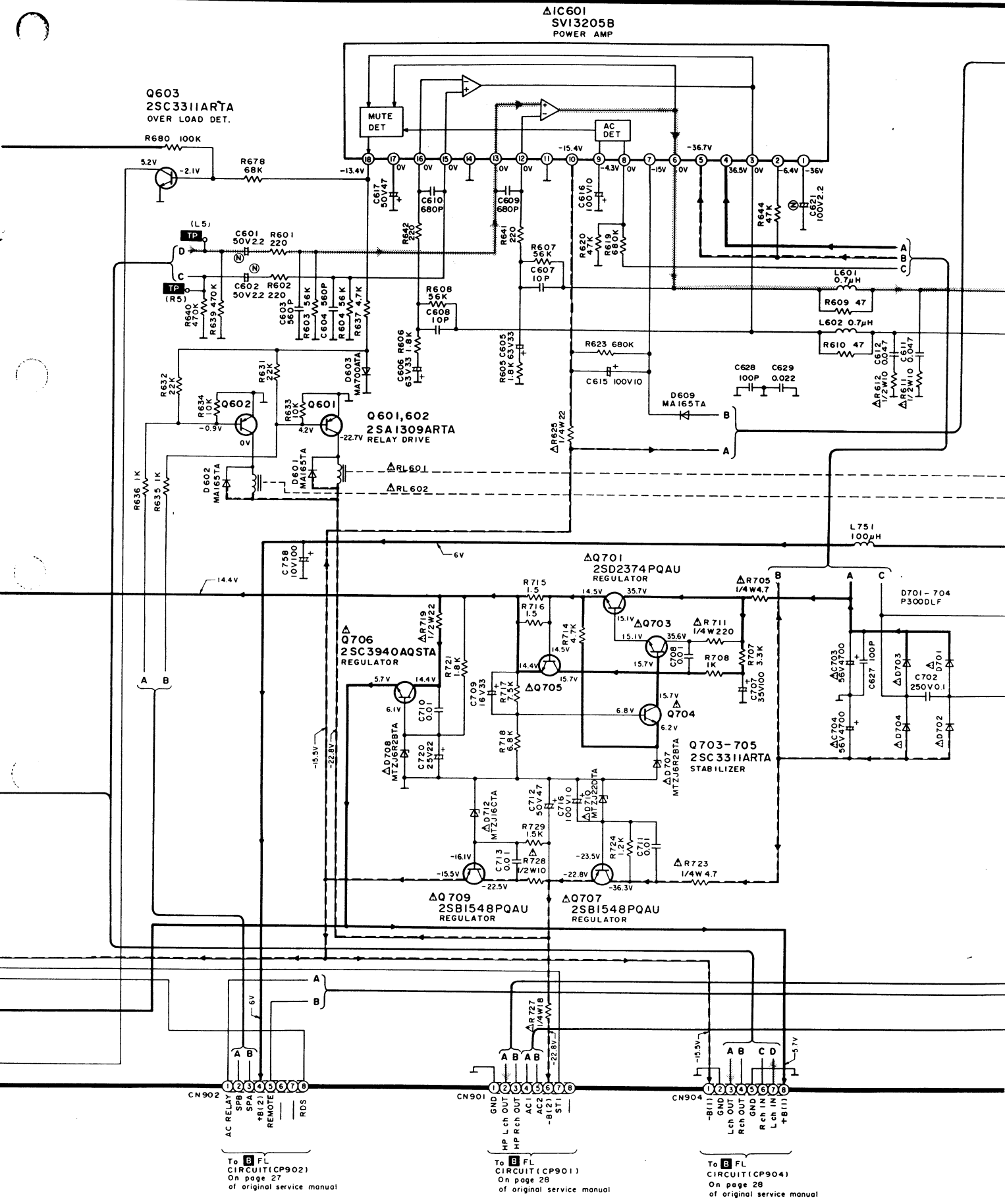


To **A** TUNER
CIRCUIT (CN101)
On pages 21,23
of original service manual

To **A** TUNER
CIRCUIT (CN102)
On pages 21,23
of original service manual

To **B** FL
CIRCUIT (CP903)
On page 27
of original service manual

Notes: • For schematic diagram not specified in this Service Manual, refer to SA-GX280 (E) Order No. MD9505058C2.
• This schematic diagram may be modified at any time with the development of new technology.

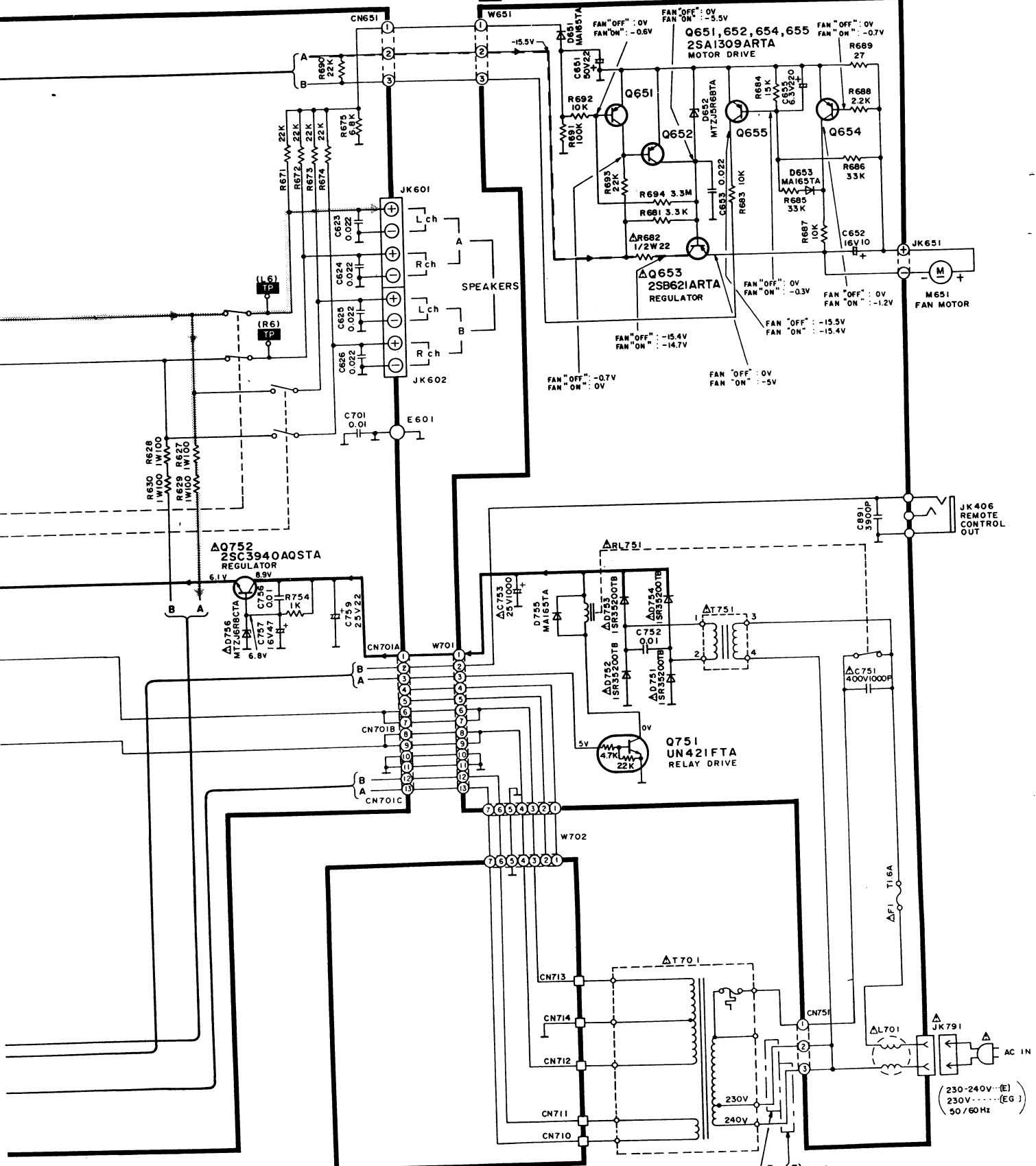


To **B** FL
CIRCUIT (CP902)
On page 27
of original service manual

To **B** FL
CIRCUIT (CP901)
On page 26
of original service manual

To **B** FL
CIRCUIT (CP904)
On page 28
of original service manual

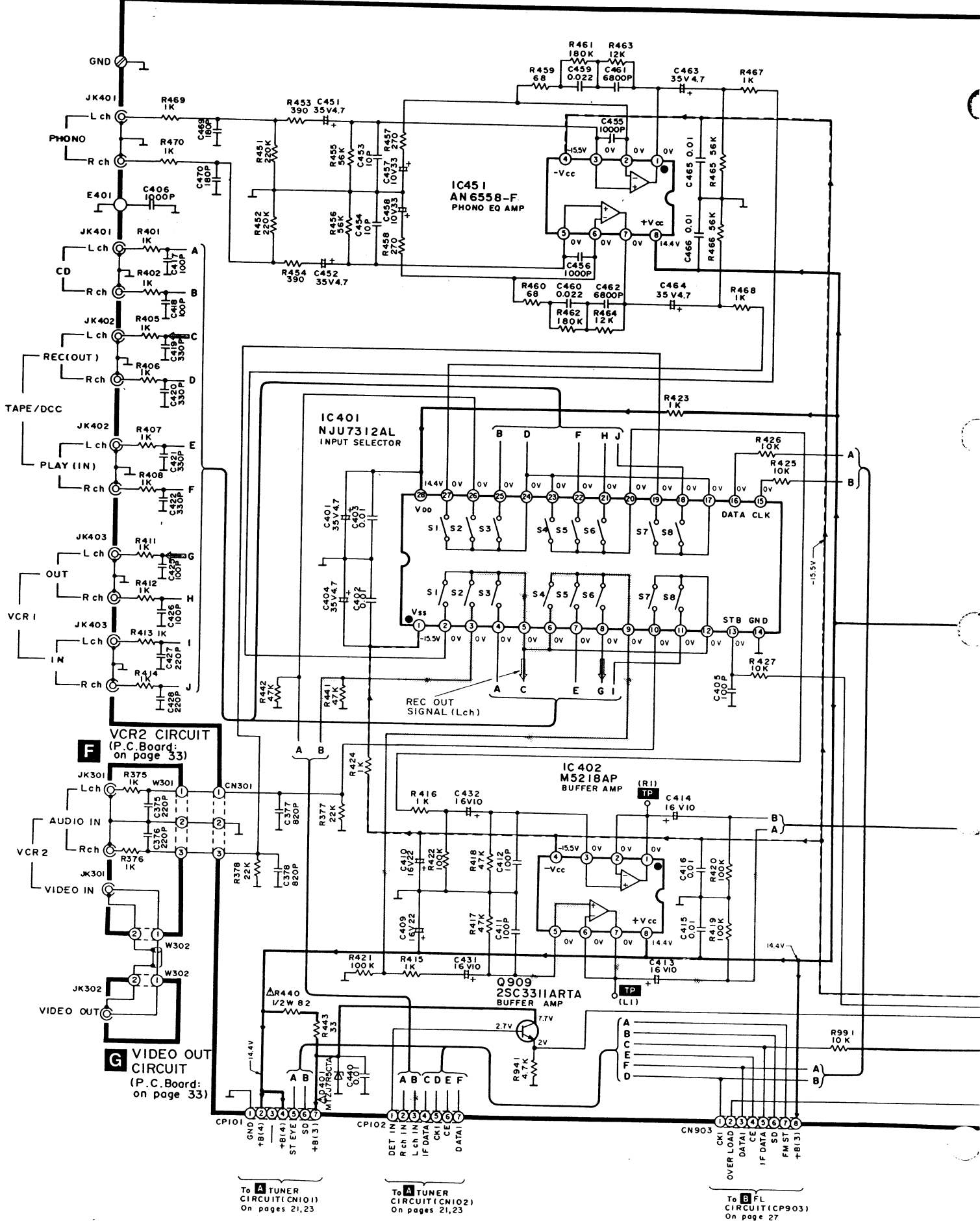
H POWER SUPPLY CIRCUIT (P.C. Board: on page 9)



POWER TRANSFORMER CIRCUIT (P.C. Board: on page 9)

For (E) area.
For (EG) area.

E MAIN CIRCUIT (P.C. Board: on pages 32,33)



To **A** TUNER CIRCUIT (CN101) On pages 21,23

To **A** TUNER CIRCUIT (CN102) On pages 21,23

To **B** FL CIRCUIT (CP903) On page 27

ΔIC601
RSN 3306A
POWER AMP

MUTING/
RELAY DRIVE

OVER
LOAD DRIVE

OUTPUT DC DET.

Q601,602
2SA1309ARTA
RELAY DRIVE

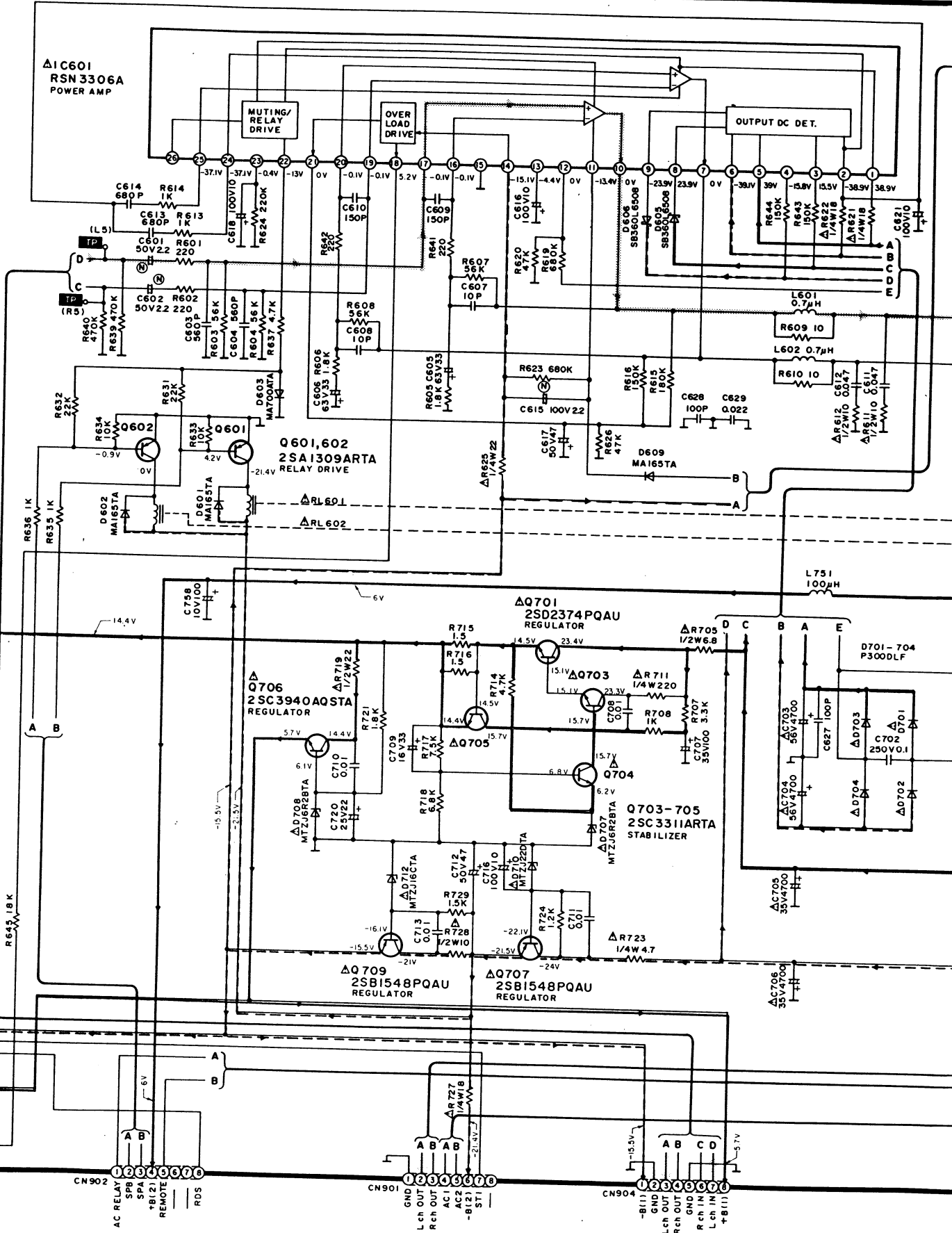
ΔQ701
2SD2374PQAU
REGULATOR

Q706
2SC3940AQSTA
REGULATOR

Q703-705
2SC3311ARTA
STABILIZER

ΔQ709
2SB1548PQAU
REGULATOR

ΔQ707
2SB1548PQAU
REGULATOR



CN902
 1 AC RELAY
 2 SPB
 3 SPA
 4 *B1(2)
 5 REMOTE
 6 RDS
 7
 8

To B FL
 CIRCUIT(CP902)
 On page 27

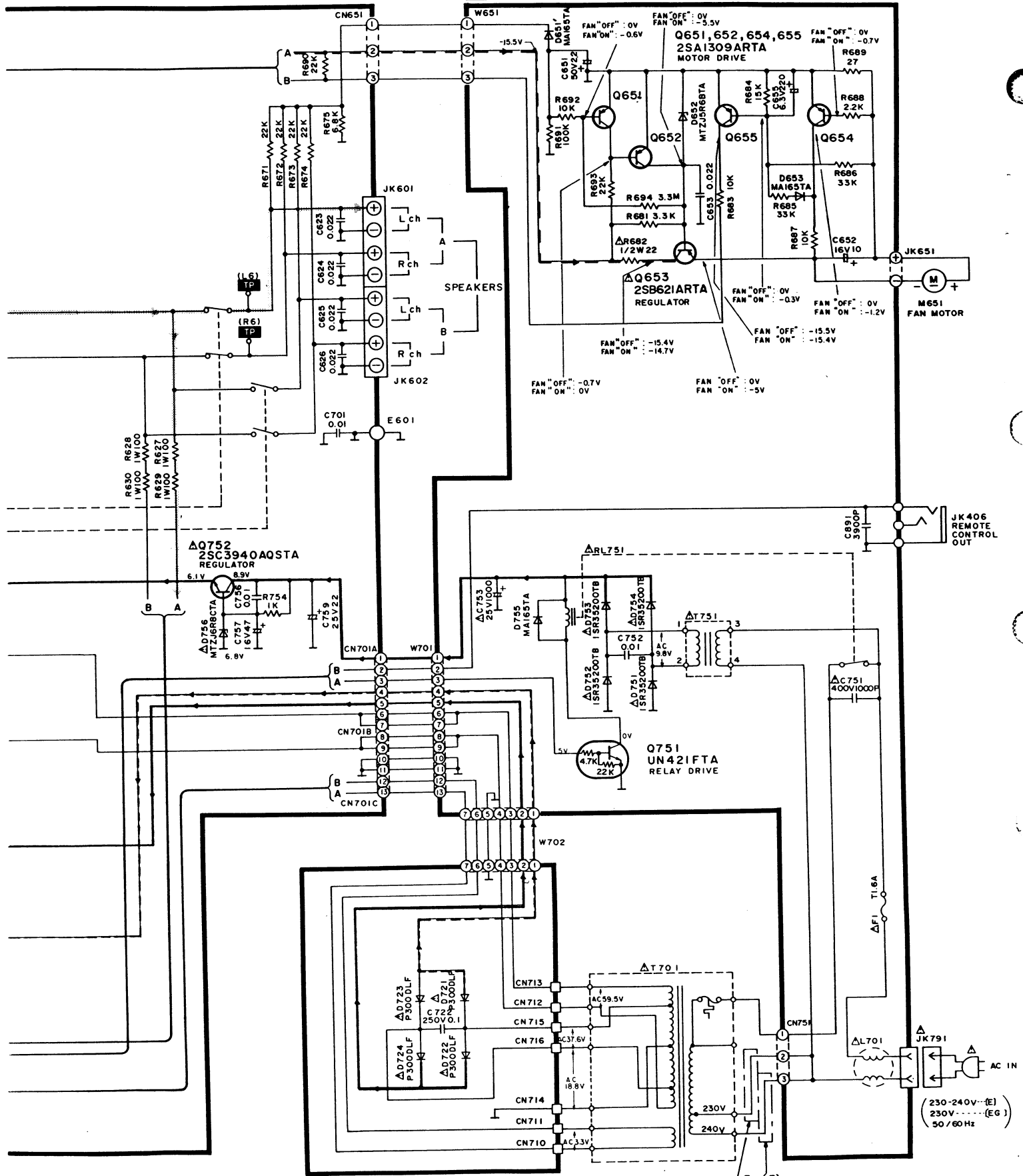
CN901
 GND
 1 HP Lch OUT
 2 HP Rch OUT
 3 AC1
 4 AC2
 5 -B1(2)
 6 ST1
 7
 8

To B FL
 CIRCUIT(CP901)
 On page 28

CN904
 1 -B1(1)
 2 GND
 3 Lch OUT
 4 Rch OUT
 5 GND
 6 Rch IN
 7 Lch IN
 8 +B1(1)
 9
 10
 11
 12
 13
 14
 15
 16
 17
 18
 19
 20
 21
 22
 23
 24
 25
 26
 27
 28
 29
 30
 31
 32
 33
 34
 35
 36
 37
 38
 39
 40
 41
 42
 43
 44
 45
 46
 47
 48
 49
 50

To B FL
 CIRCUIT(CP904)
 On page 28

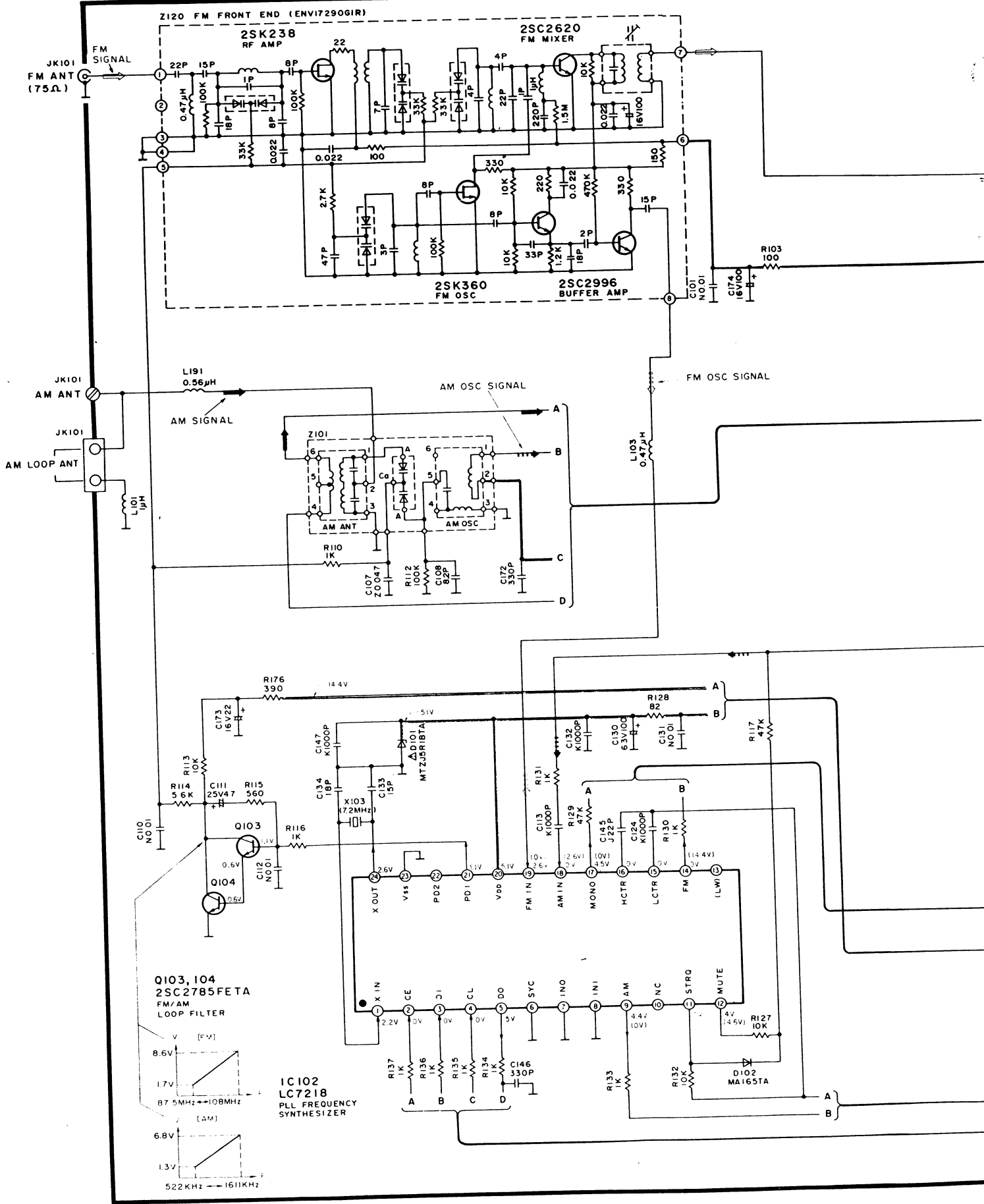
H POWER SUPPLY CIRCUIT (P.C. Board: on page 31)

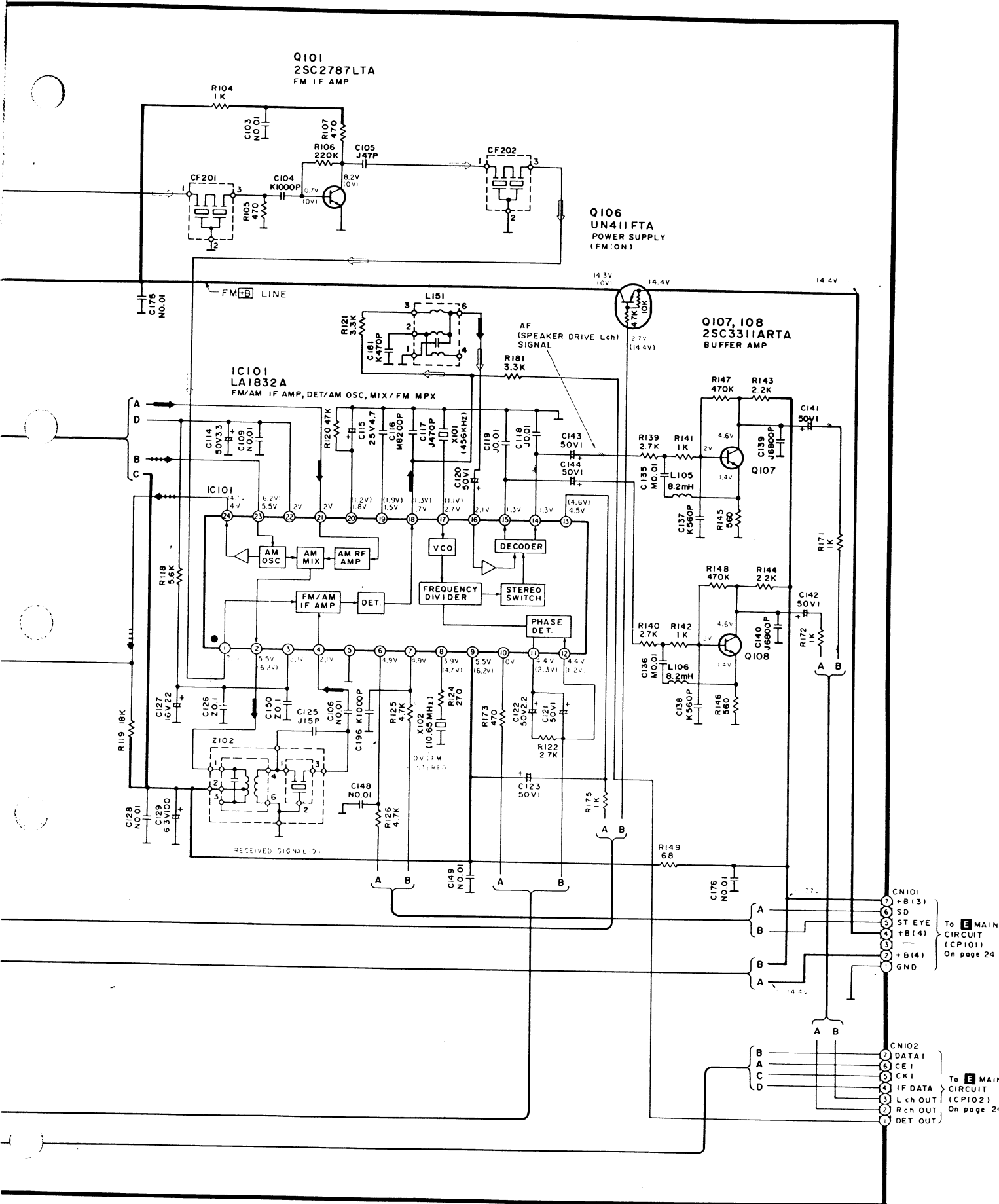


I POWER TRANSFORMER CIRCUIT (P.C. Board: on page 31)

For (E) area.
For (EG) area.

A TUNER CIRCUIT For [EG] area . (P.C. Board: on page 30)





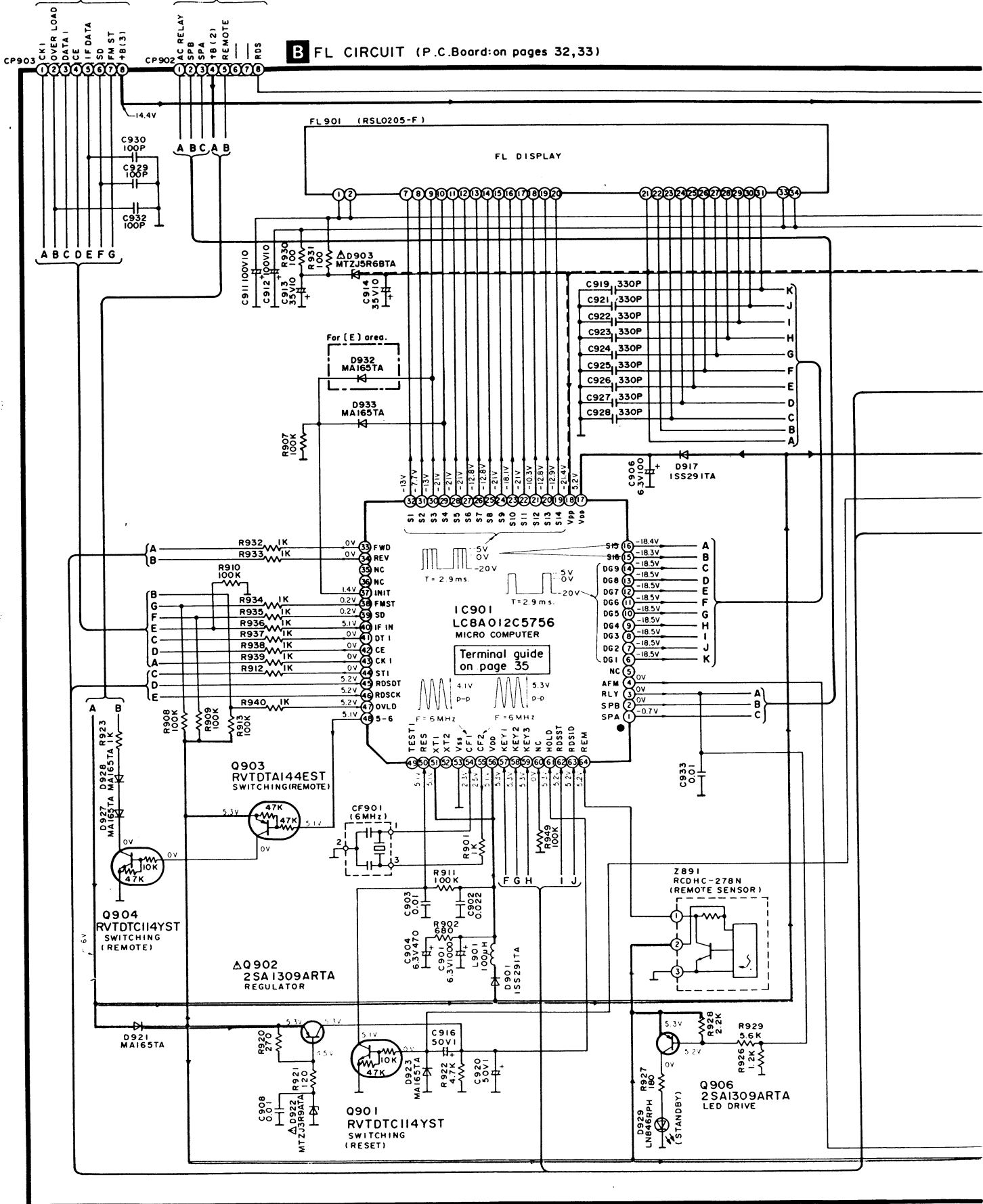
On page 24

To E MAIN CIRCUIT (CN903)

On page 25

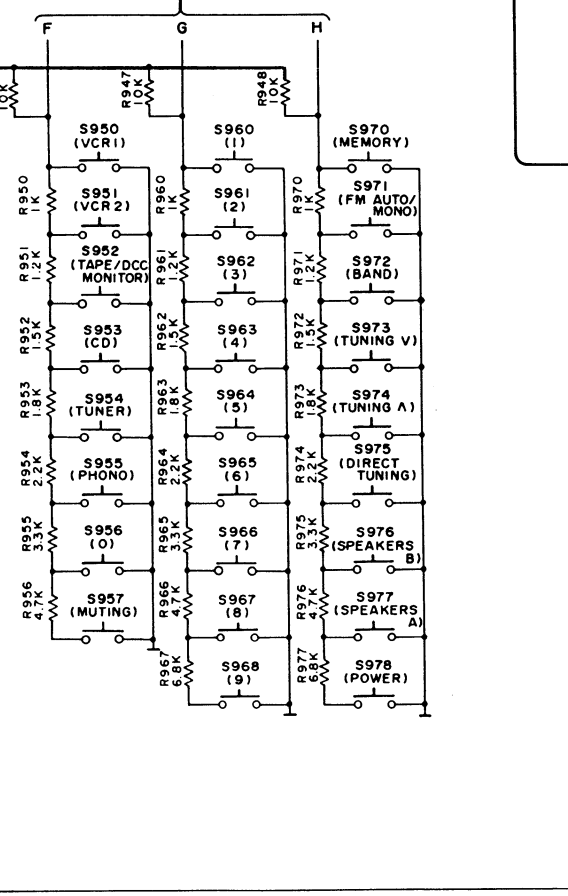
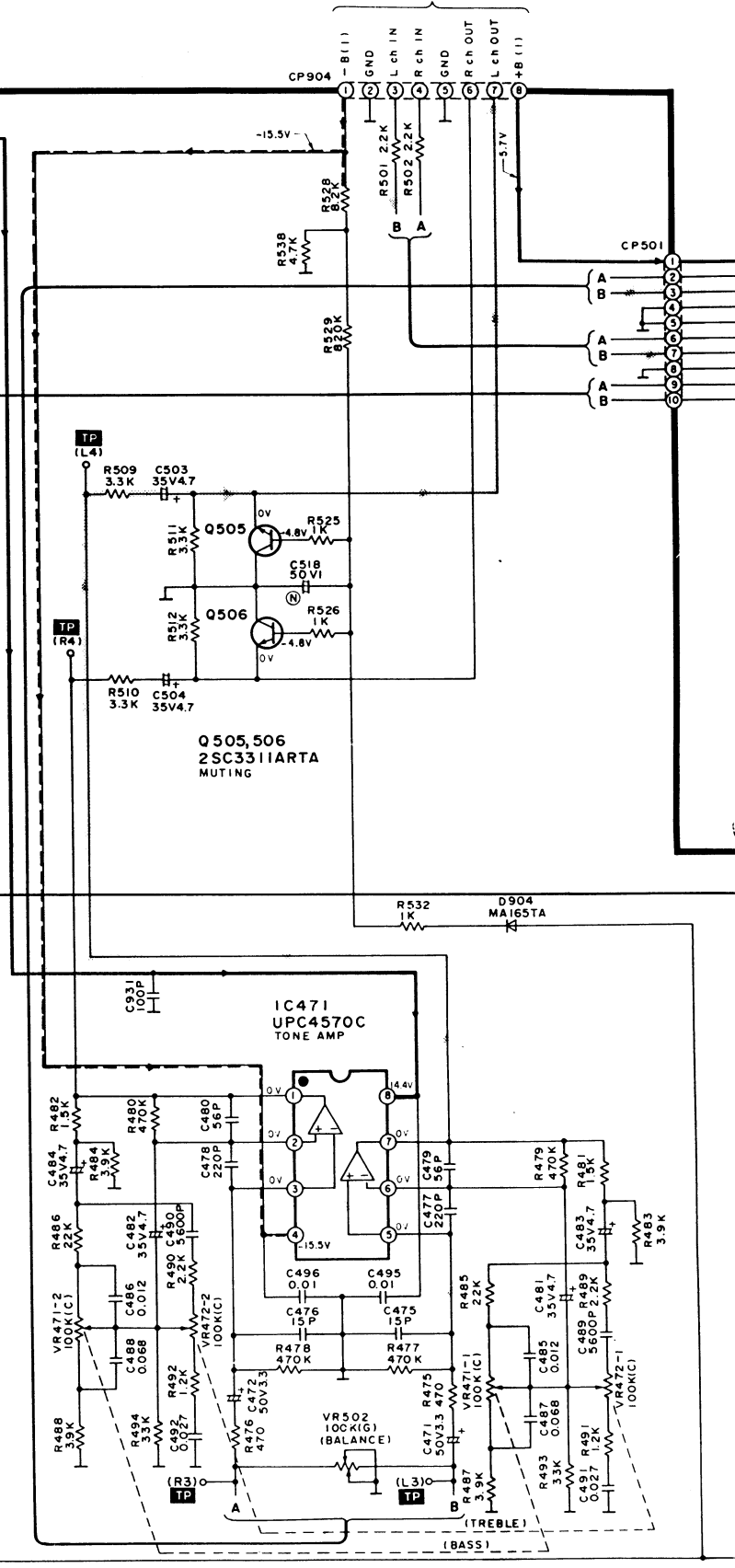
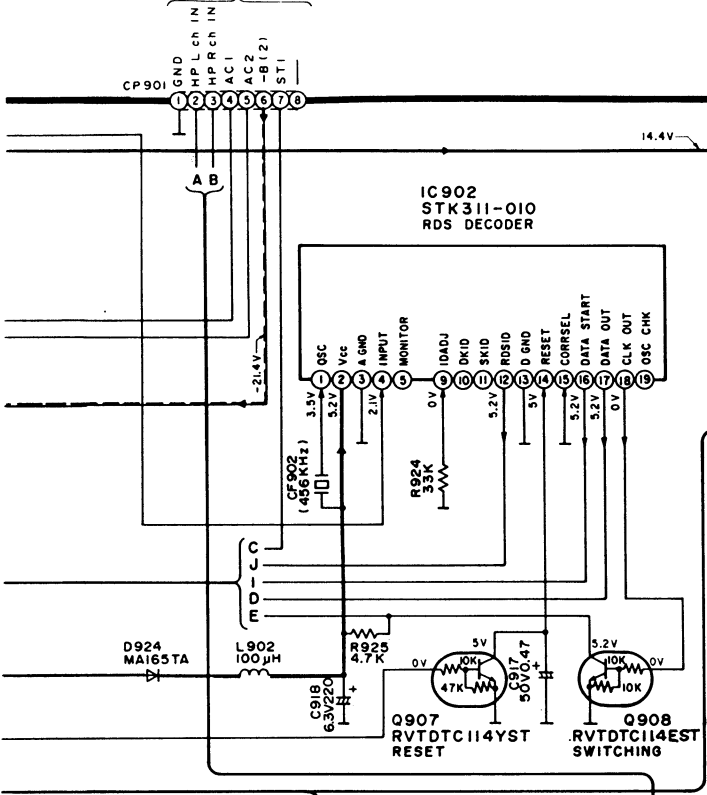
To E MAIN CIRCUIT (CN902)

B FL CIRCUIT (P.C. Board: on pages 32,33)

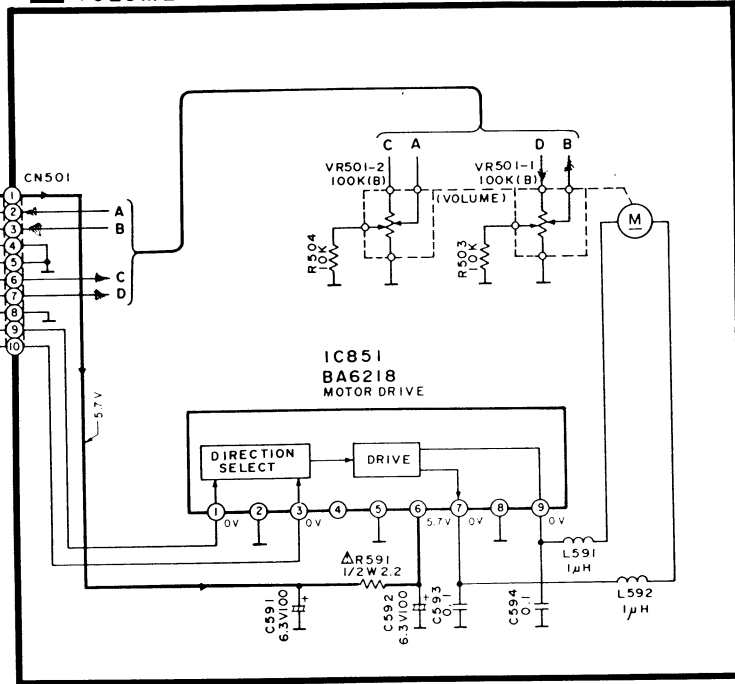


On page 25
To MAIN CIRCUIT
(CN901)

On page 25
To MAIN CIRCUIT
(CN904)



C VOLUME CIRCUIT (P.C.Board: on page 30)



D HEADPHONES JACK CIRCUIT (P.C.Board: on page 30)

