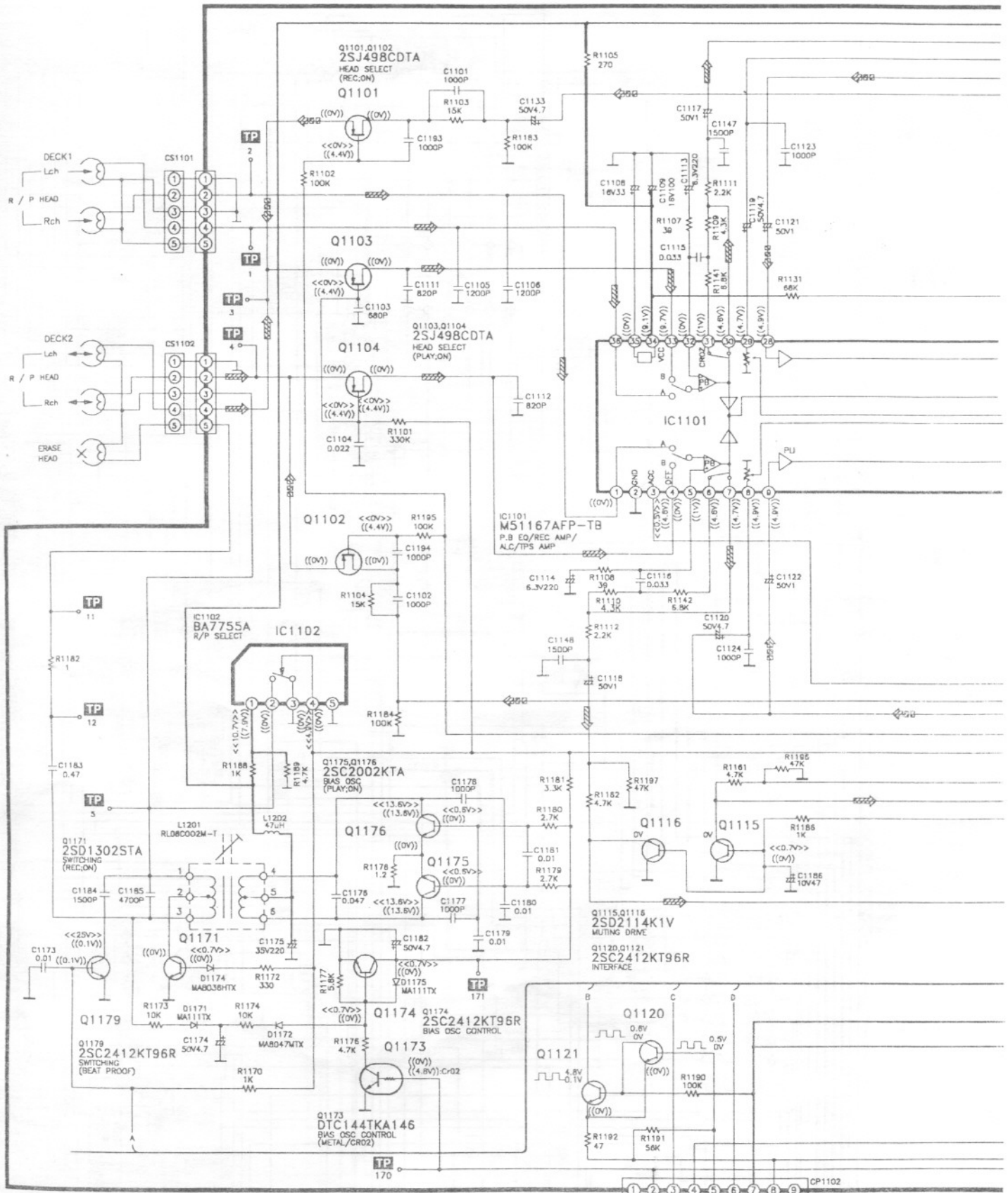


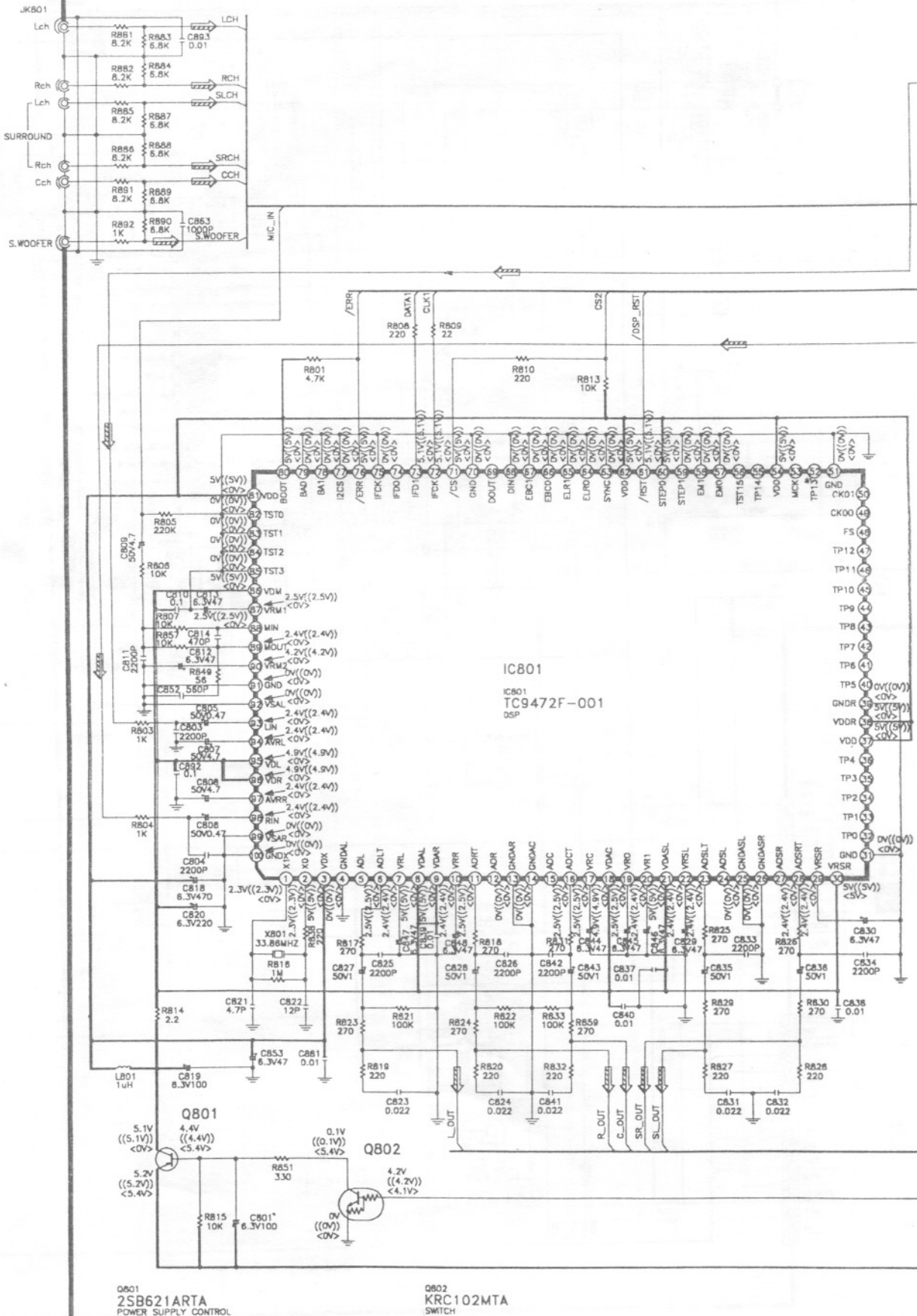


**J** PISTA DE MECANISMO DE CINTA (RAIM009954A)



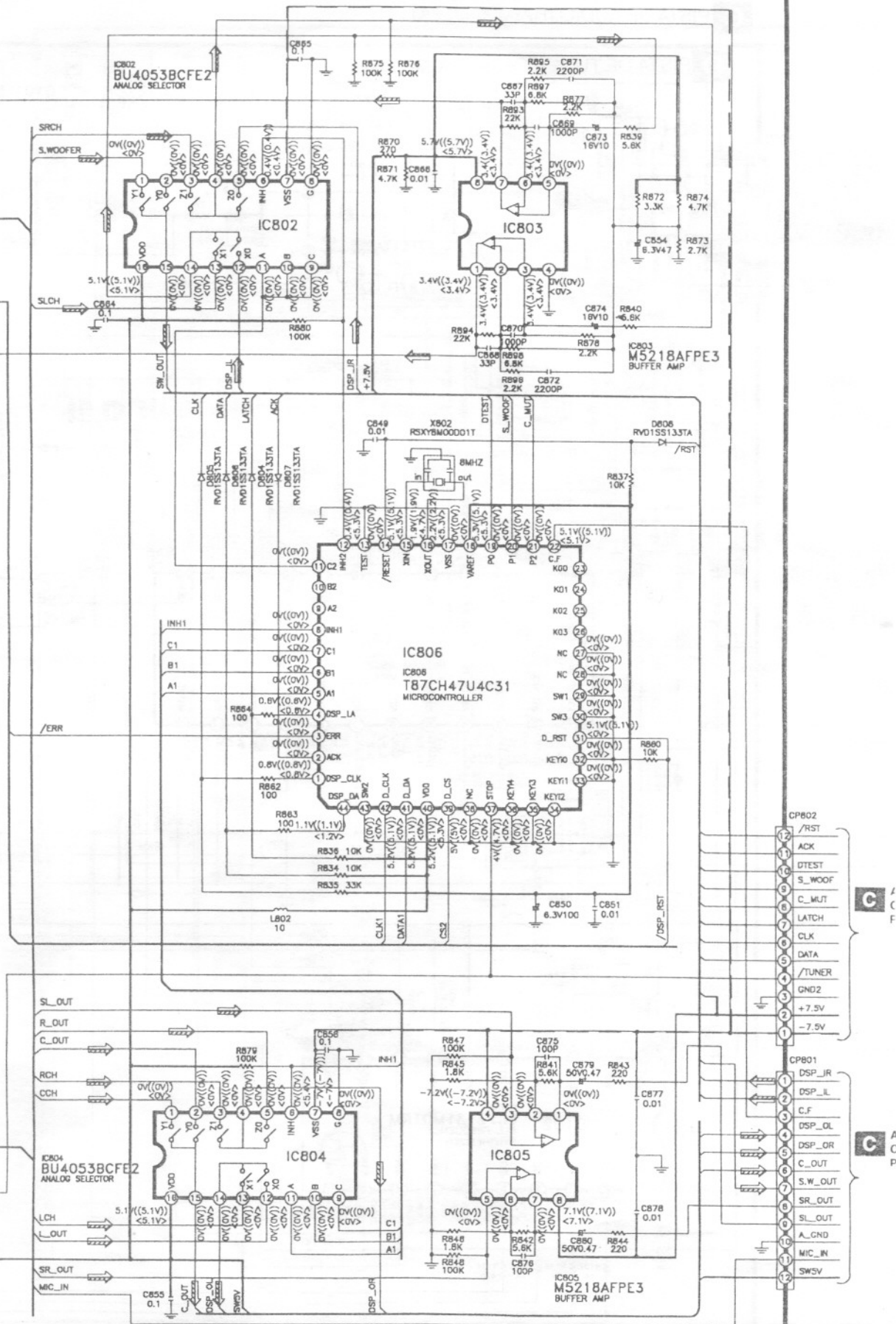
**B** PISTA DSP (RAIM009957A)

--- b Line      → : Main Signal Line

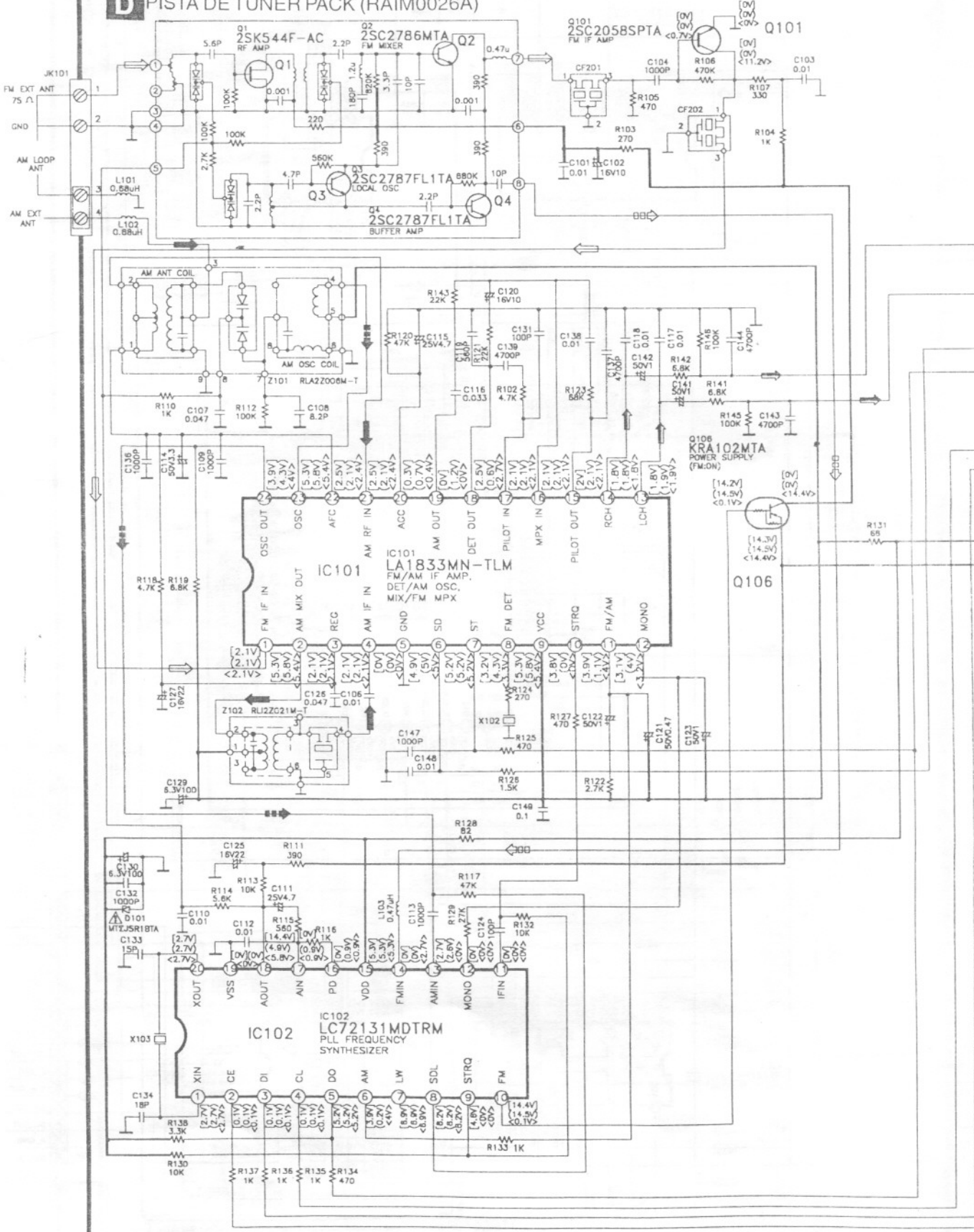


Q801  
2SB621ARTA  
POWER SUPPLY CONTROL

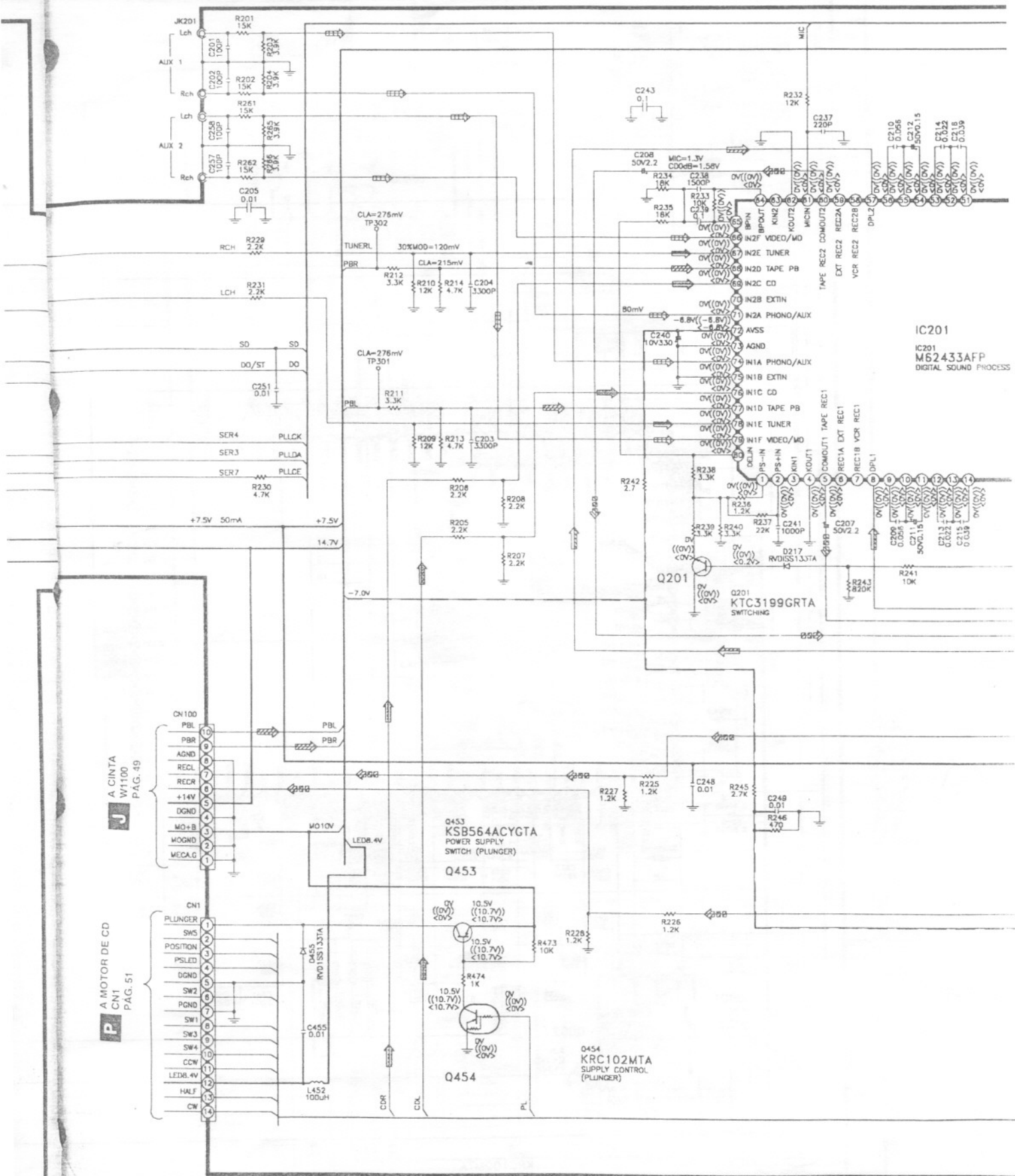
Q802  
KRC102MTA  
SWITCH



**D** PISTA DE TUNER PACK (RAIM0026A)



— : +B Line      ⇨ : Main Signal Line      ⇨ : Playback Signal Line      ⇨ : FM/AM Line  
 - - - : +B Line      ⇨ : AUX Signal Line      ⇨ : CD Signal Line      ⇨ : Record Signal Line



**J** A CINTA W1100 PAG. 49

**P** A MOTOR DE CD CN1 PAG. 51

IC201  
 M62433AFP  
 DIGITAL SOUND PROCESS

Q453  
 KSB564ACYGTA  
 POWER SUPPLY SWITCH (PLUNGER)

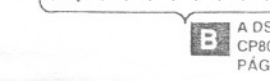
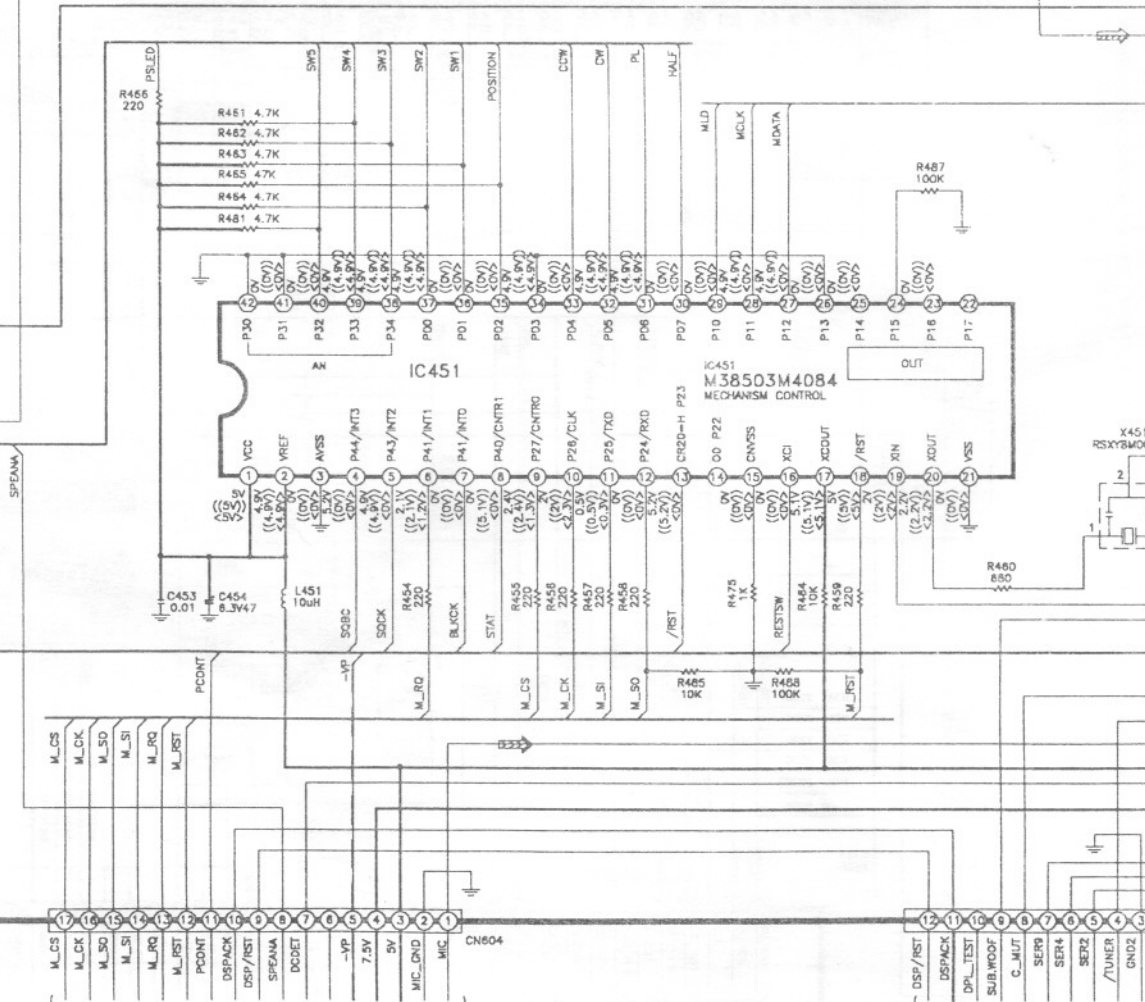
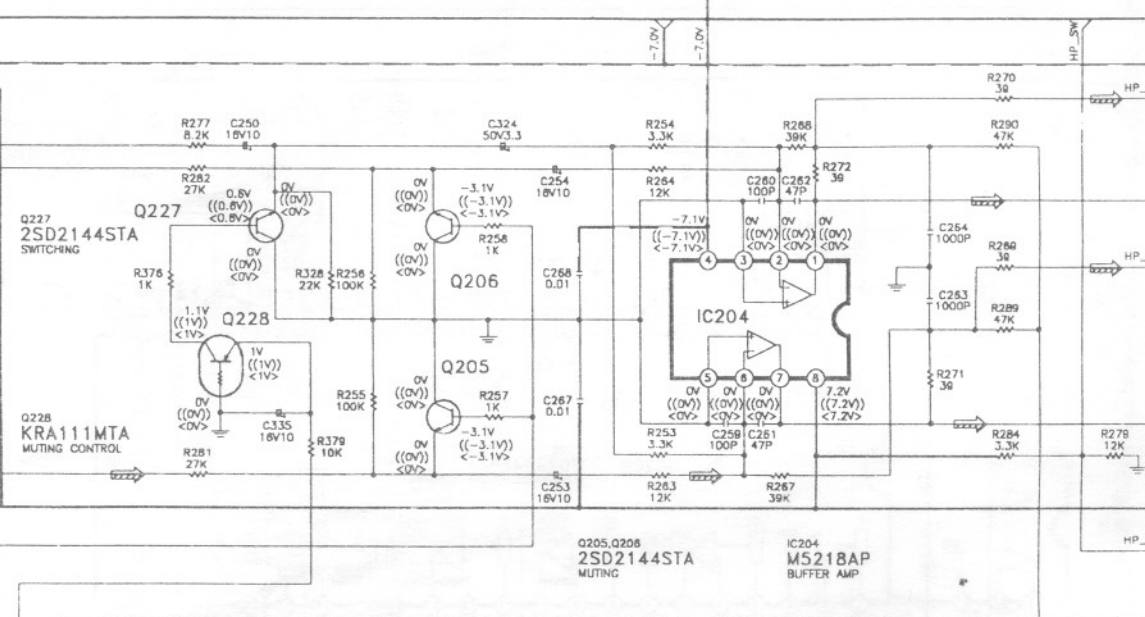
Q454  
 KRC102MTA  
 SUPPLY CONTROL (PLUNGER)

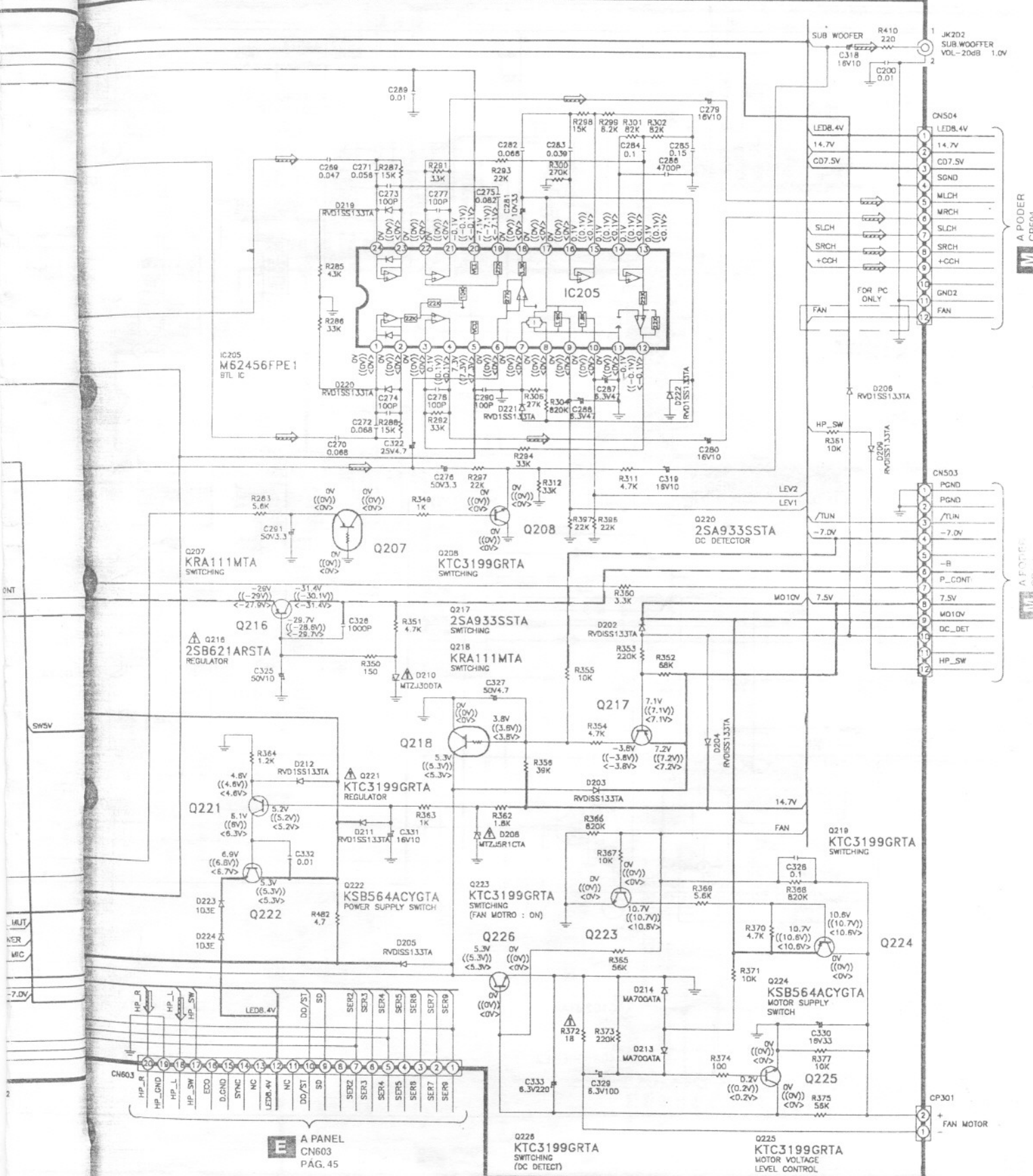
Q227  
2SD2144STA  
SWITCHING

Q228  
KRA111MTA  
MUTING CONTROL

Q205, Q208  
2SD2144STA  
MUTING

IC204  
M5218AP  
BUFFER AMP





**E** A PANEL  
CN603  
PAG. 45

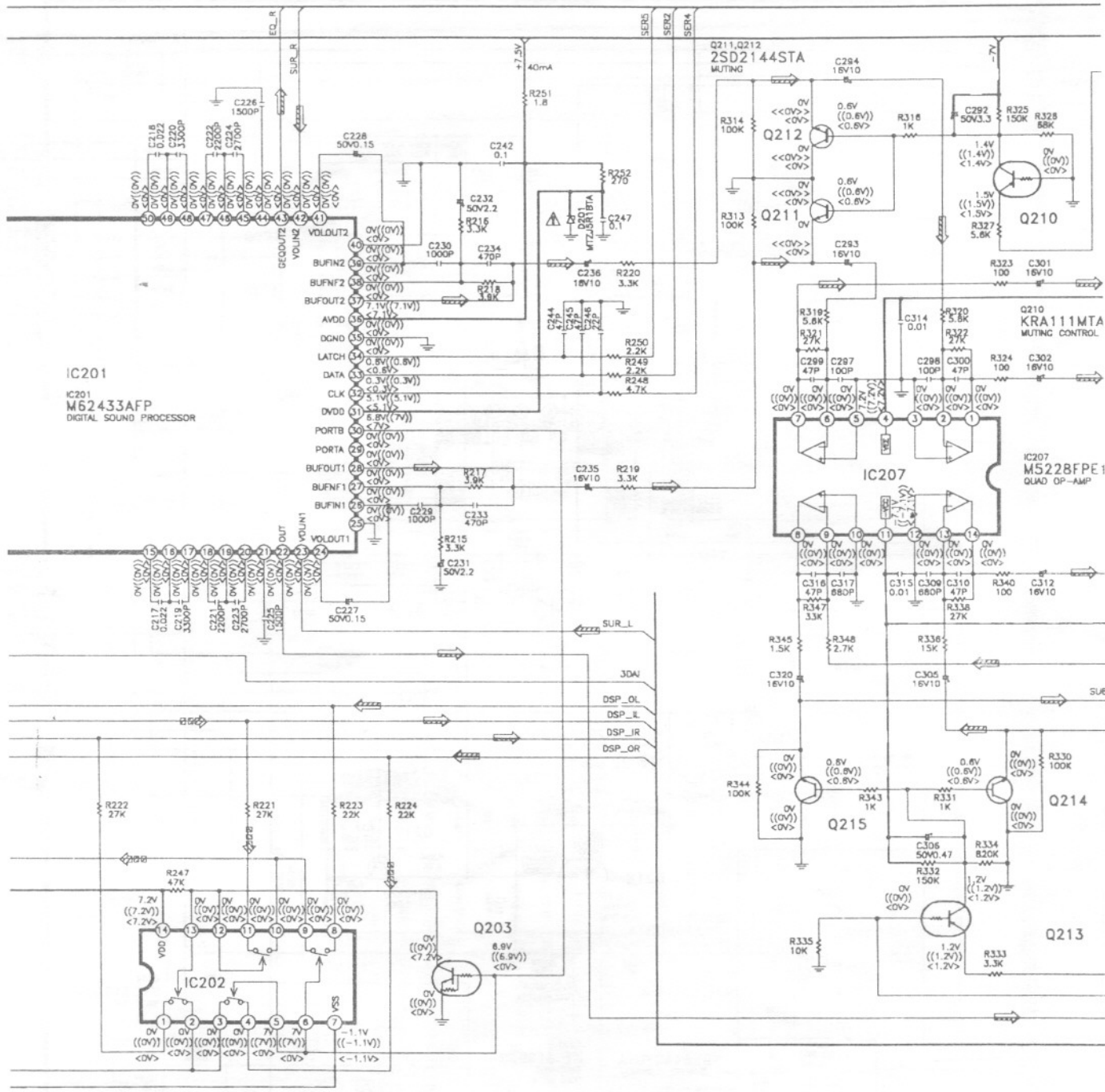
A PORDER  
CP504  
PAG. 50

A PORDER  
CP504  
PAG. 50

A PORDER  
CP504  
PAG. 50

A PORDER  
CP504  
PAG. 50





IC201  
M62433AFP  
DIGITAL SOUND PROCESSOR

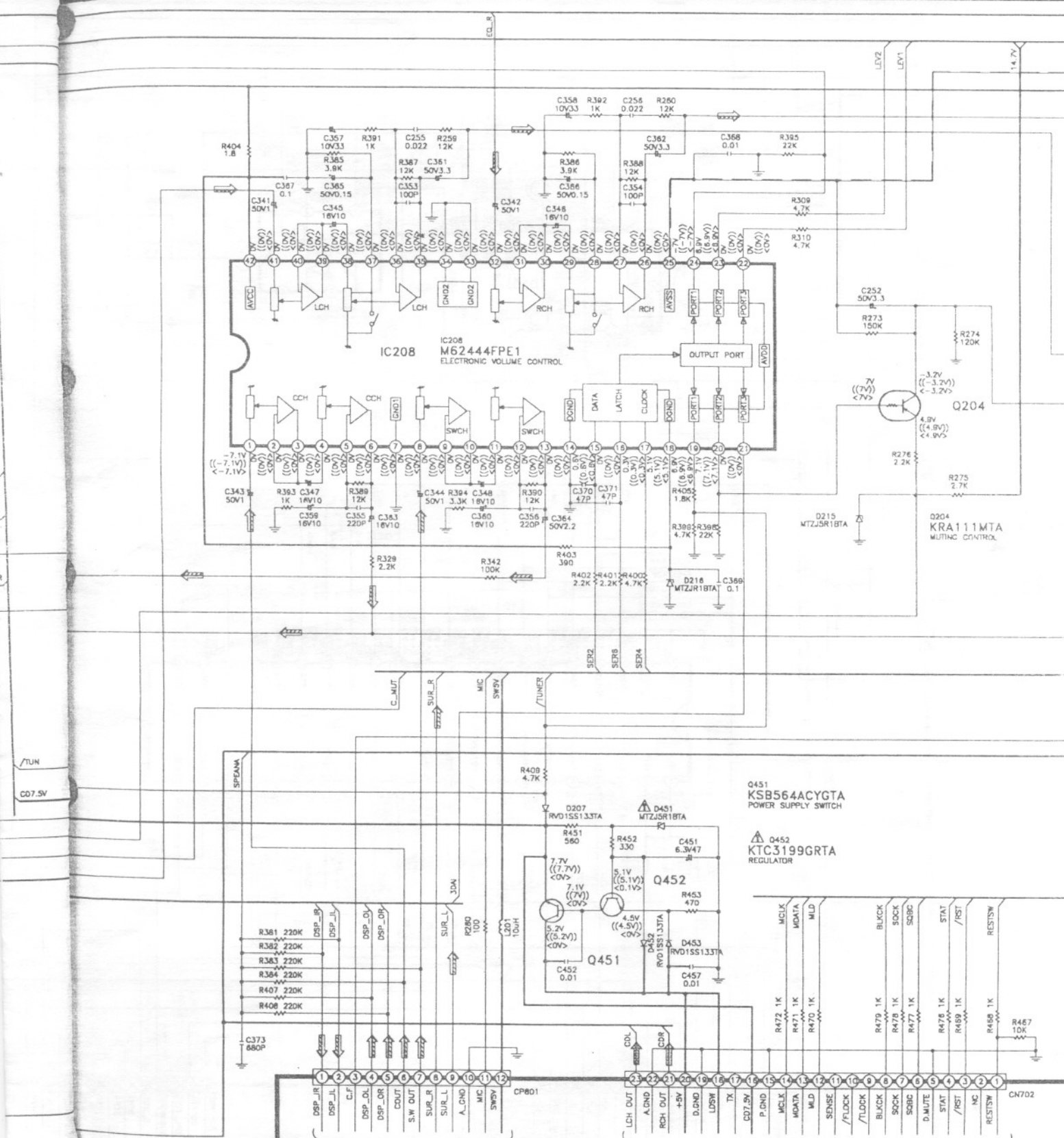
Q210  
KRA111MTA  
MUTING CONTROL

Q214  
2SD2144STA  
SWITCHING

Q215  
2SD2144STA  
SWITCHING

Q203  
KRC102MTA  
SWITCHING

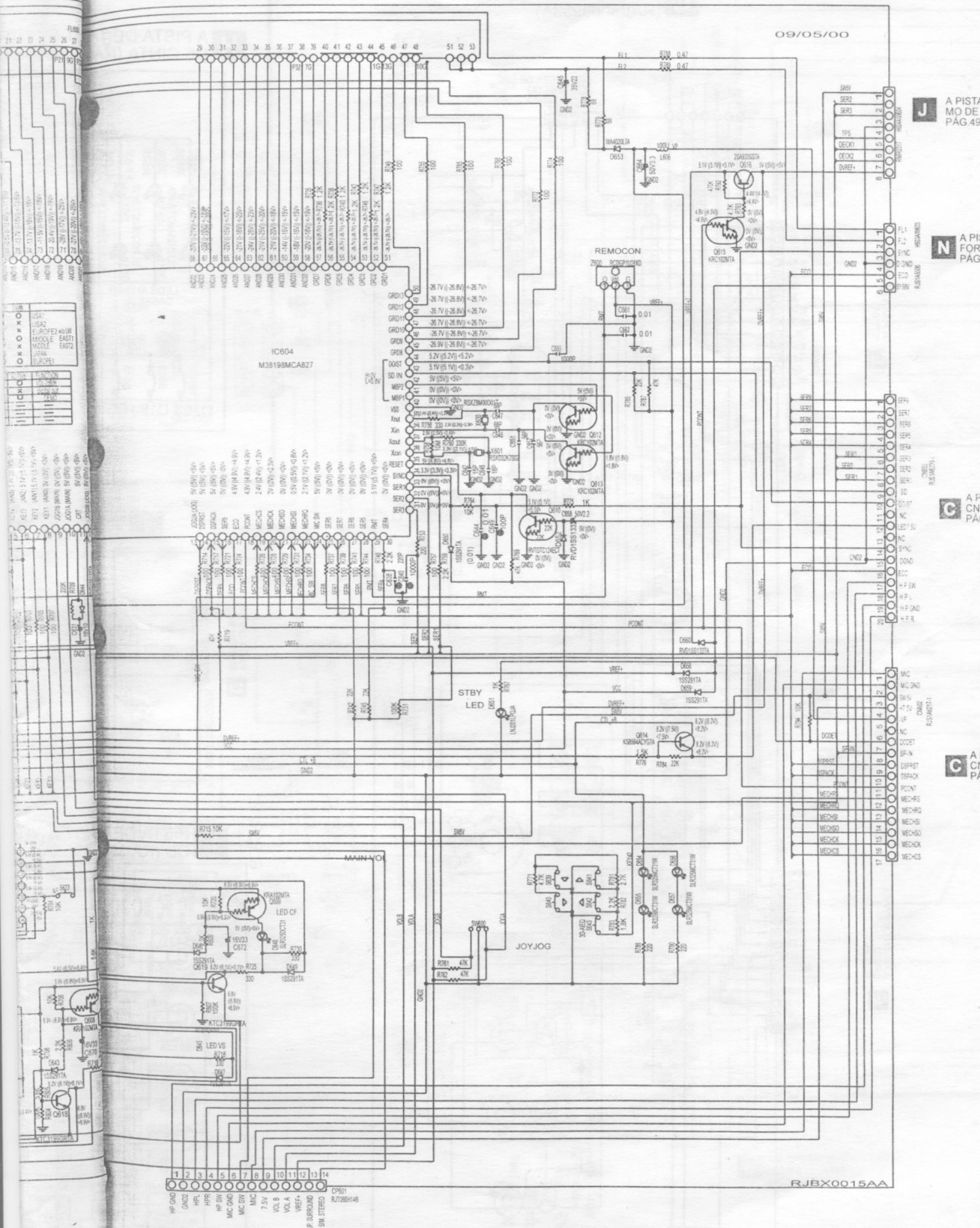
IC202  
BU4066BCF-E2  
ANALOG SWITCH  
(SELECTOR)



**B** A DSP  
CP801  
PÁG. 37

**A** A SERVO  
CN702  
PÁG. 35





IC604  
M38198MCA827

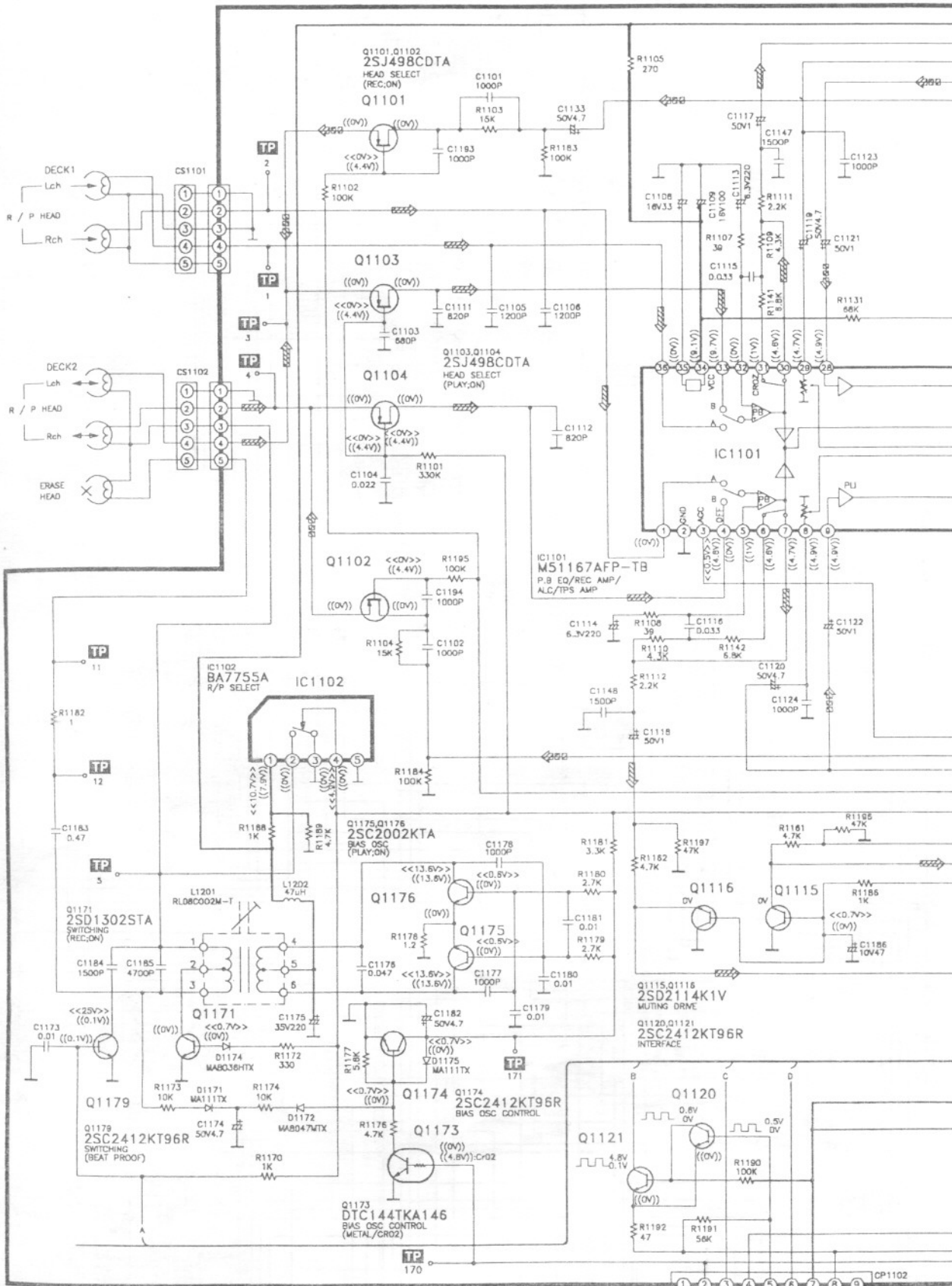
IC	MARKING	DESCRIPTION
U1	USA1	USA1
U2	USA2	USA2
U3	USA3	USA3
U4	USA4	USA4
U5	USA5	USA5
U6	USA6	USA6
U7	USA7	USA7
U8	USA8	USA8
U9	USA9	USA9
U10	USA10	USA10
U11	USA11	USA11
U12	USA12	USA12
U13	USA13	USA13
U14	USA14	USA14
U15	USA15	USA15
U16	USA16	USA16
U17	USA17	USA17
U18	USA18	USA18
U19	USA19	USA19
U20	USA20	USA20
U21	USA21	USA21
U22	USA22	USA22
U23	USA23	USA23
U24	USA24	USA24
U25	USA25	USA25
U26	USA26	USA26
U27	USA27	USA27
U28	USA28	USA28
U29	USA29	USA29
U30	USA30	USA30
U31	USA31	USA31
U32	USA32	USA32
U33	USA33	USA33
U34	USA34	USA34
U35	USA35	USA35
U36	USA36	USA36
U37	USA37	USA37
U38	USA38	USA38
U39	USA39	USA39
U40	USA40	USA40
U41	USA41	USA41
U42	USA42	USA42
U43	USA43	USA43
U44	USA44	USA44
U45	USA45	USA45
U46	USA46	USA46
U47	USA47	USA47
U48	USA48	USA48
U49	USA49	USA49
U50	USA50	USA50

A PISTA MO DE C PAG.49

A PIS FORM PAG.1

A PIS CN6 PAG.

A PIS CN6 PAG.

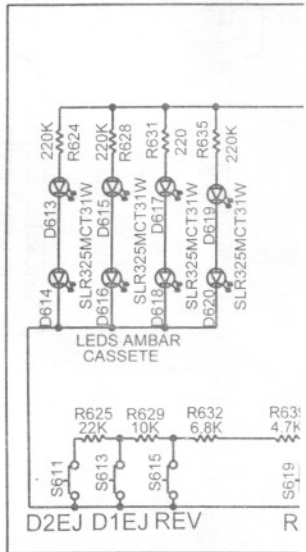
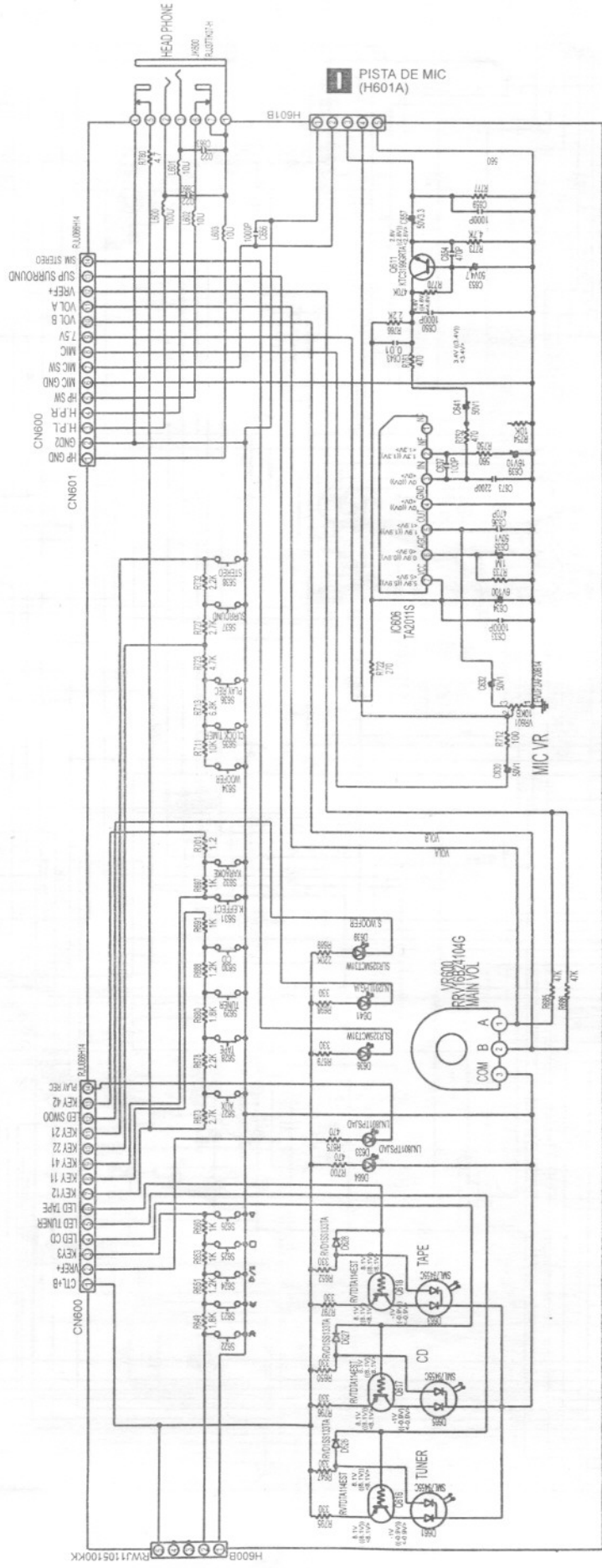


### G PISTA DE TACT SWITCH (RAIM009953A)

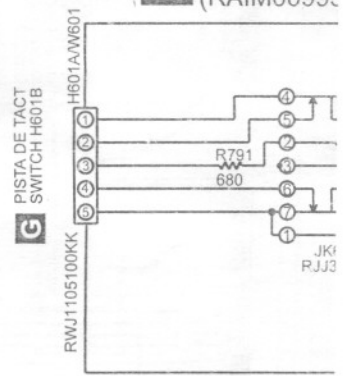
### H A PISTA DE TACT SW DE CINTA (RAIM009953A)

A PISTA DE PANEL CP601 PAG.44

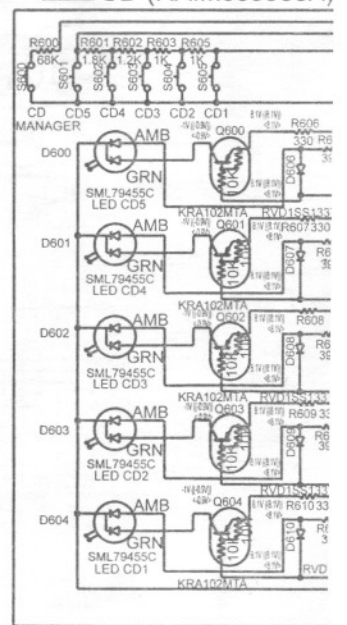
A PISTA DE PANEL CP600 PAG.45



### I PISTA DE M (RAIM009953A)



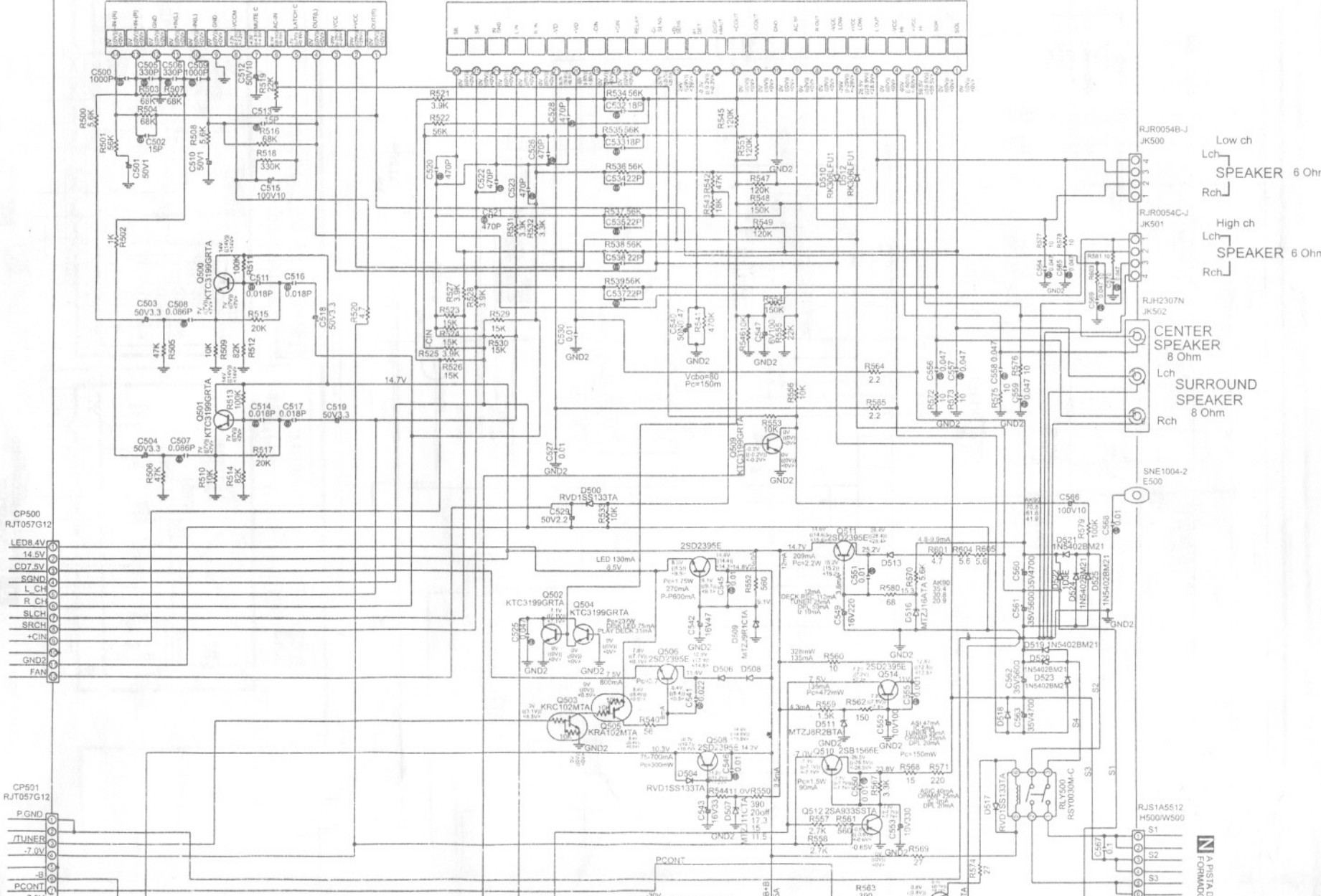
### F PISTA DE TACT SW CD (RAIM009953A)



### E A PISTA DE TACT SWITCH DE CINTA H600A

RSN3502B IC500

RSN311W64A-P IC501



Low ch  
Lch  
Rch  
SPEAKER 6 Ohm

High ch  
Lch  
Rch  
SPEAKER 6 Ohm

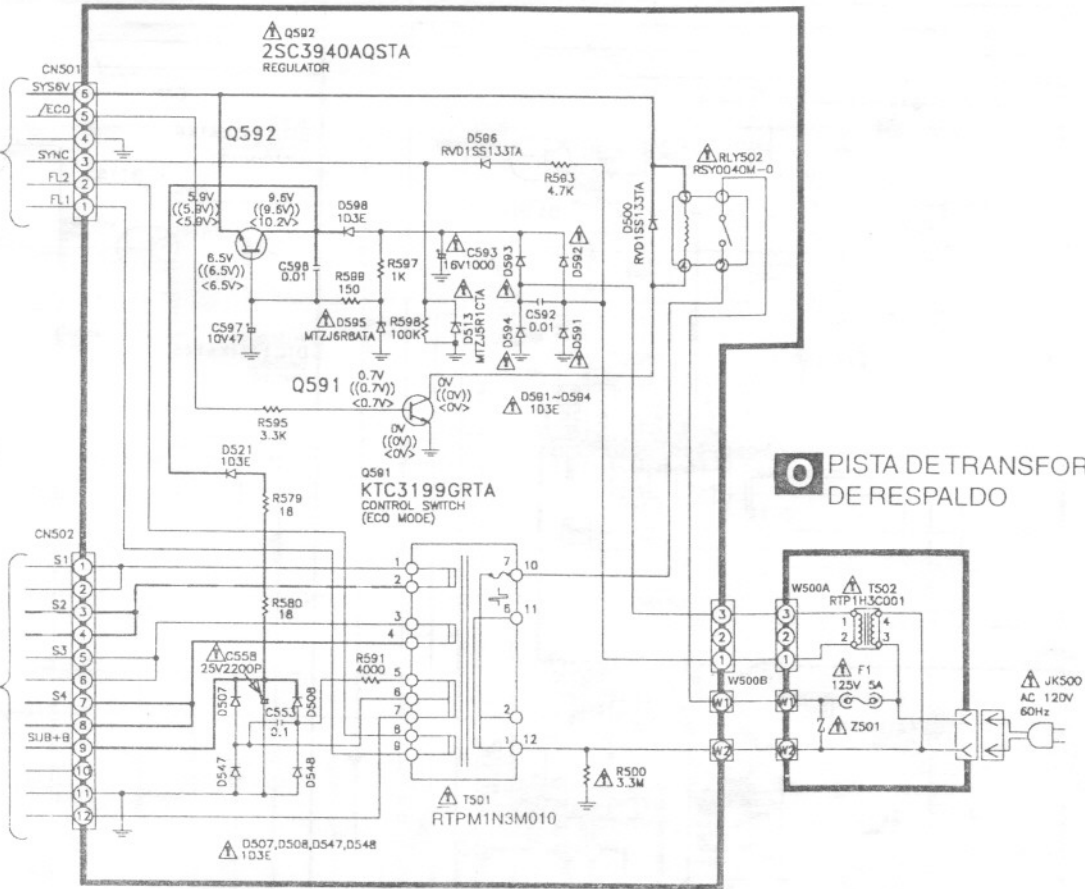
CENTER SPEAKER 8 Ohm  
Lch  
Rch  
SURROUND SPEAKER 8 Ohm

CP500 RJT057G12  
LED8 4V  
14.5V  
CD7 5V  
SGND  
L CH  
R CH  
SLCH  
SRCH  
+CIN  
GND2  
FAN

CP501 RJT057G12  
P.GND  
/TUNER  
-7.0V  
P.CONT  
7.5V  
MC9 5V

RJR0054B-J JK500  
RJR0054C-J JK501  
RJH2307N JK502  
SNE1004-2 E500  
RJS1A5512 H500W500  
S1  
S2  
S3  
S4

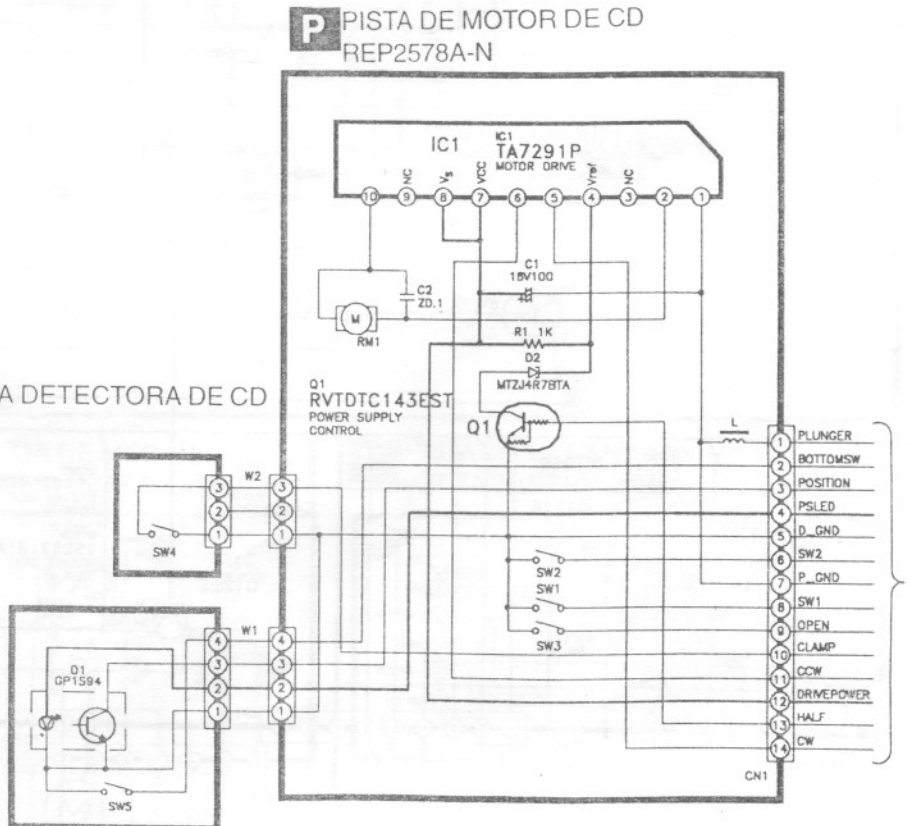
**N** PISTA DE TRANSFORMADOR SA-HM995 (RAIM008950A)  $\Rightarrow$  : Main Signal Line



**E** A PISTA PANEL H603A PAG. 45

**M** A PISTA PODER H500 PAG. 50

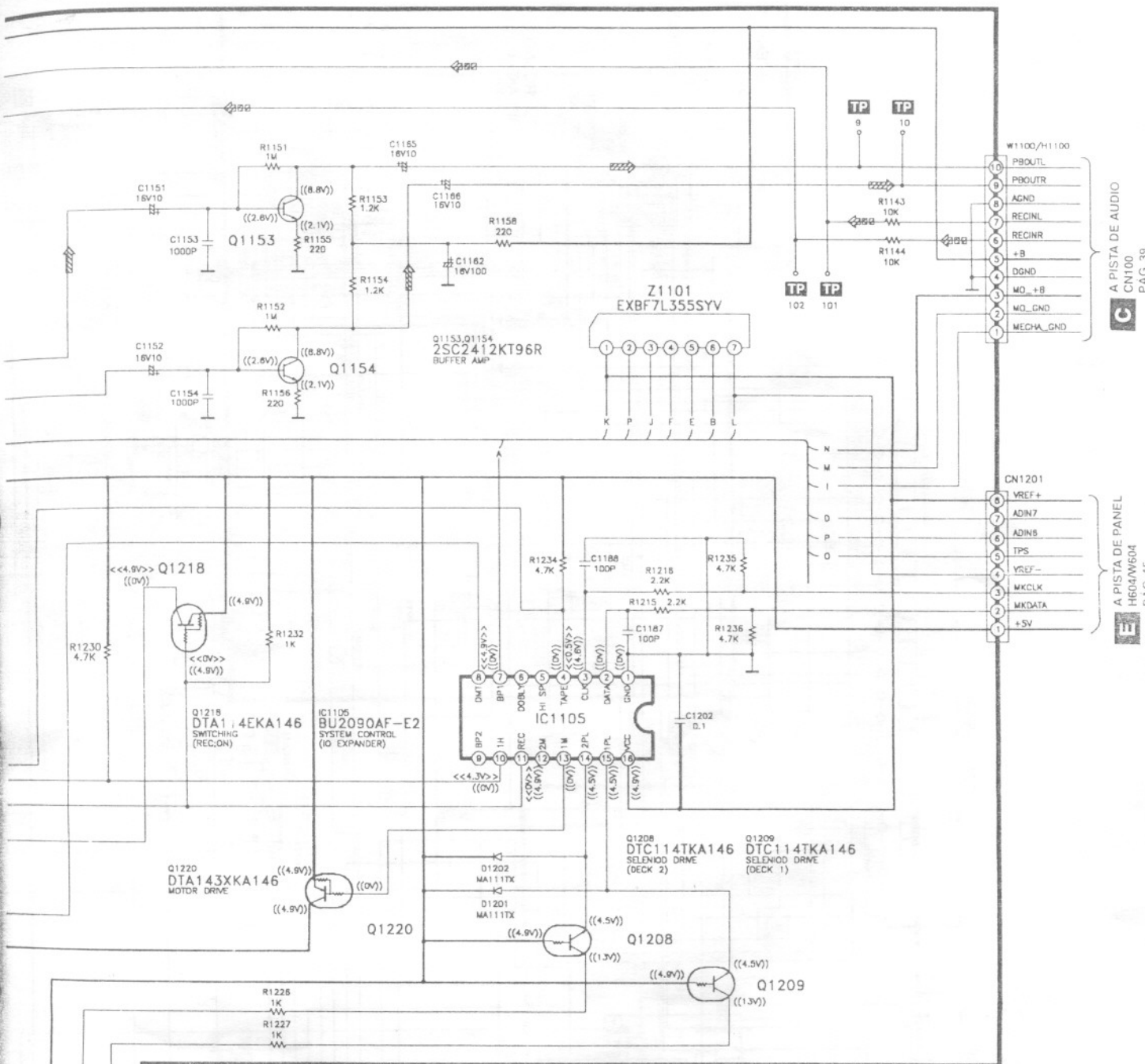
**R** PISTA DETECTORA DE CD



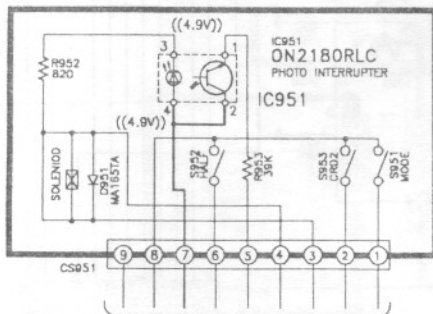
**C** A PISTA DE CN1 PAG. 39

**Q** PISTA DECTECTORA DE CHAROLA REP2578A-N



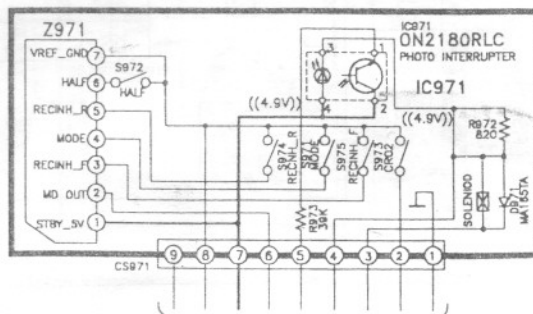


**K** PISTA DE MECANISMO (CINTA 1) (REPX108A)



**J** A PISTA DE MECANISMO DE CINTA CP1101 PAG. 48

**L** PISTA DE MECANISMO (CINTA 2) (REPX0108)



**J** A PISTA DE MECANISMO DE CINTA CP1102 PAG. 47

A PISTA DE AUDIO  
CN100  
PAG. 39

A PISTA DE PANEL  
H604/W604  
PAG. 45

# A PISTA SERVO (REPX0144)

## OPTICAL PICKUP CIRCUIT

