

SCHEMATIC DIAGRAM

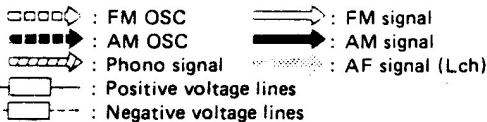
(Parts list on pages 35 ~ 40)

(This schematic diagram may be modified at any time with the development of new technology.)

Note 1:

- S601-1, S601-2 : Speaker selectors.
S601-1: A S601-2: B
- S701 : Power "on/off" switch.
- S702 : Voltage selector switch. (For (G) area.)
- S901 ~ S910 : Preset-tuning (1-0) switches.
[S901 : CH1, S902 : CH2, S903 : CH3,
S904 : CH4, S905 : CH5, S906 : CH6,
S907 : CH7, S908 : CH8, S909 : CH9,
S910 : CH0]
- S911 : Music-scan/group-search switch.
- S912 : FM mode selector.
- S913, S914 : Band selectors.
S913 : FM, S914 : AM
- S915, S916 : Tuning switches.
S915 : ▼ (DOWN), S916 : ▲ (UP)
- S917 : Memory switch.
- S918 : Loudness switch.
- S919 ~ S926 : Group registration switches.
[S919 : start, S920 : rock, S921 : jazz
S922 : classic, S923 : easy, S924 : news
S925 : other, S926 : end]
- S927 ~ S929, S931 : Input selector switches.
[S927 : phono, S928 : tuner, S929 : CD,
S931 : VCR1]
- S930 : Tape-monitor/VCR 2 switch.

Signal line



Important safety notice:

Components identified by Δ mark have special characteristics important for safety. When replacing any of these components, use only manufacturer's specified parts. Indicated voltage values are standard values for the unit measured by the DC electronic circuit tester (high-impedance) with the chassis taken as standard. Therefore, there may exist some errors in the voltage values, depending on internal impedance of the DC circuit tester.

All voltage values shown in circuitry are DC voltage in FM signal (Stereo signal) reception mode.

* Figures in () Stand for DC-voltage in AM signal reception mode.

Caution!

IC and LSI are sensitive to static electricity.

Secondary trouble can be prevented by taking care during repair.

* Cover the parts boxes made of plastics with aluminum foil.

* Ground the soldering iron.

* Put a conductive mat on the work table.

* Do not touch the legs of IC or LSI with the fingers directly.

Note2:

Use of ceramic filters in pairs

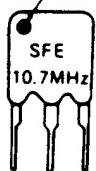
The ceramic filters (CF201, CF202) for FM-IF circuit are available in three ranks. For this circuit, be sure to use the ceramics of the same rank in a pair.

At repairing and replacement, pay close attention to the diodes (D914, D915) for use as different diodes must be used depending on each rank of the ceramic filters.

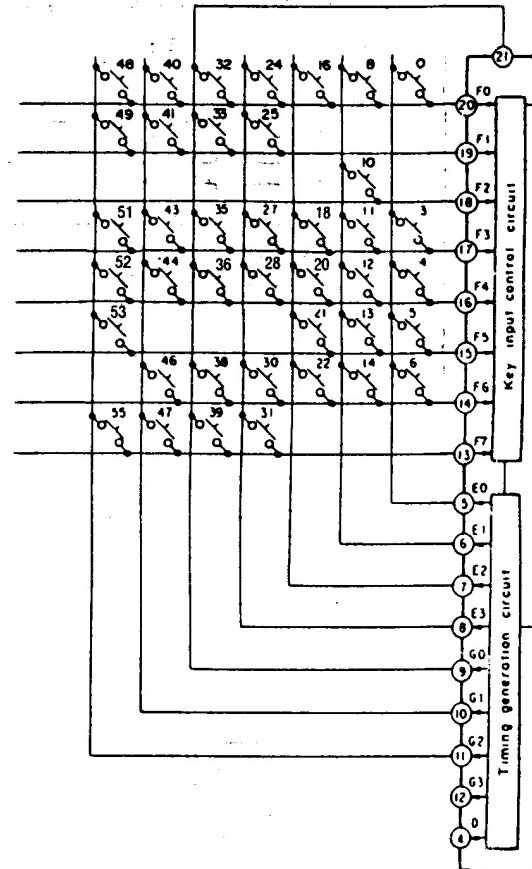
Color marking
(Blue, Red or Orange)

RANK (Color)	D914	D915	CENTER FREQUENCY
Blue	○	×	10.675MHz
Red	×	×	10.700MHz
Orange	×	○	10.725MHz

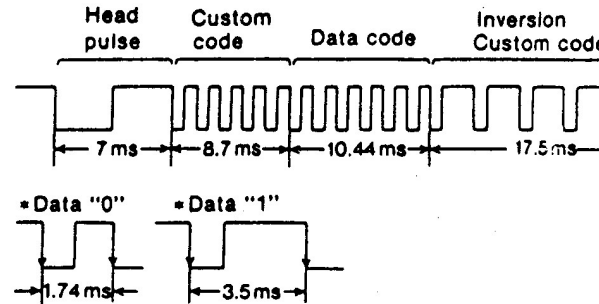
Note: ○ mark: Diode is used.
× mark: Diode is not used.



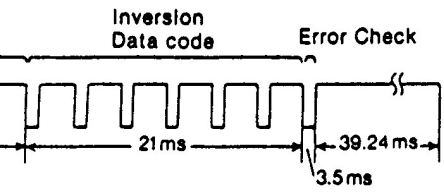
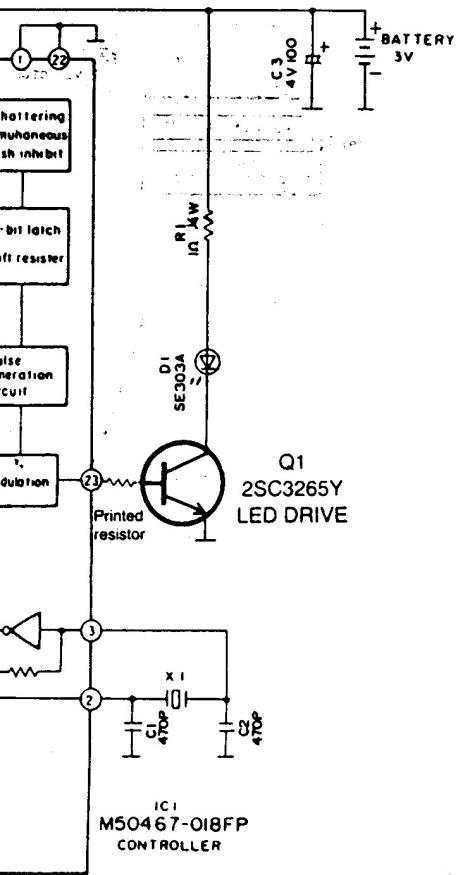
Remote-control transmitter (EUR64747)



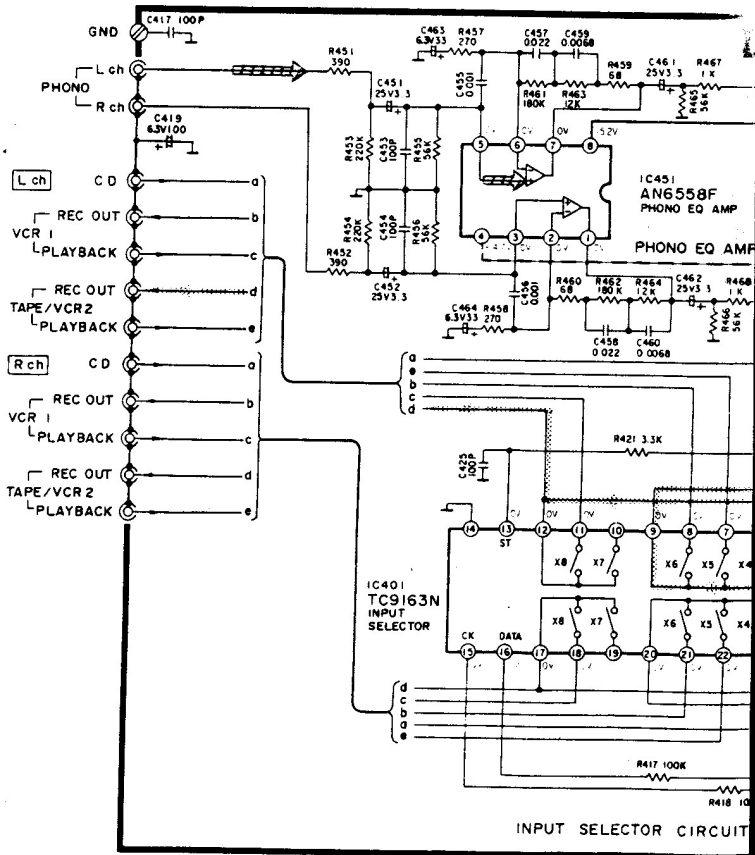
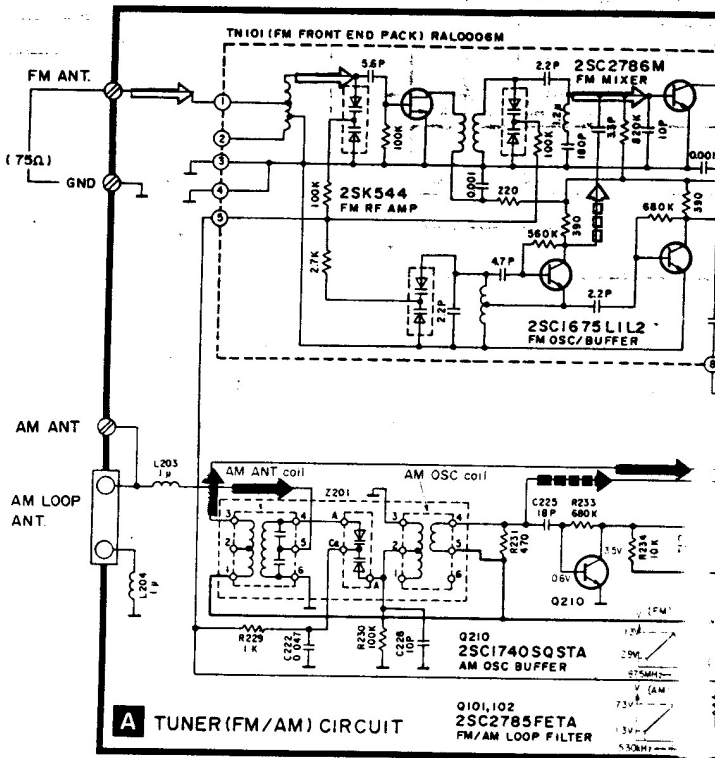
Remote control data code

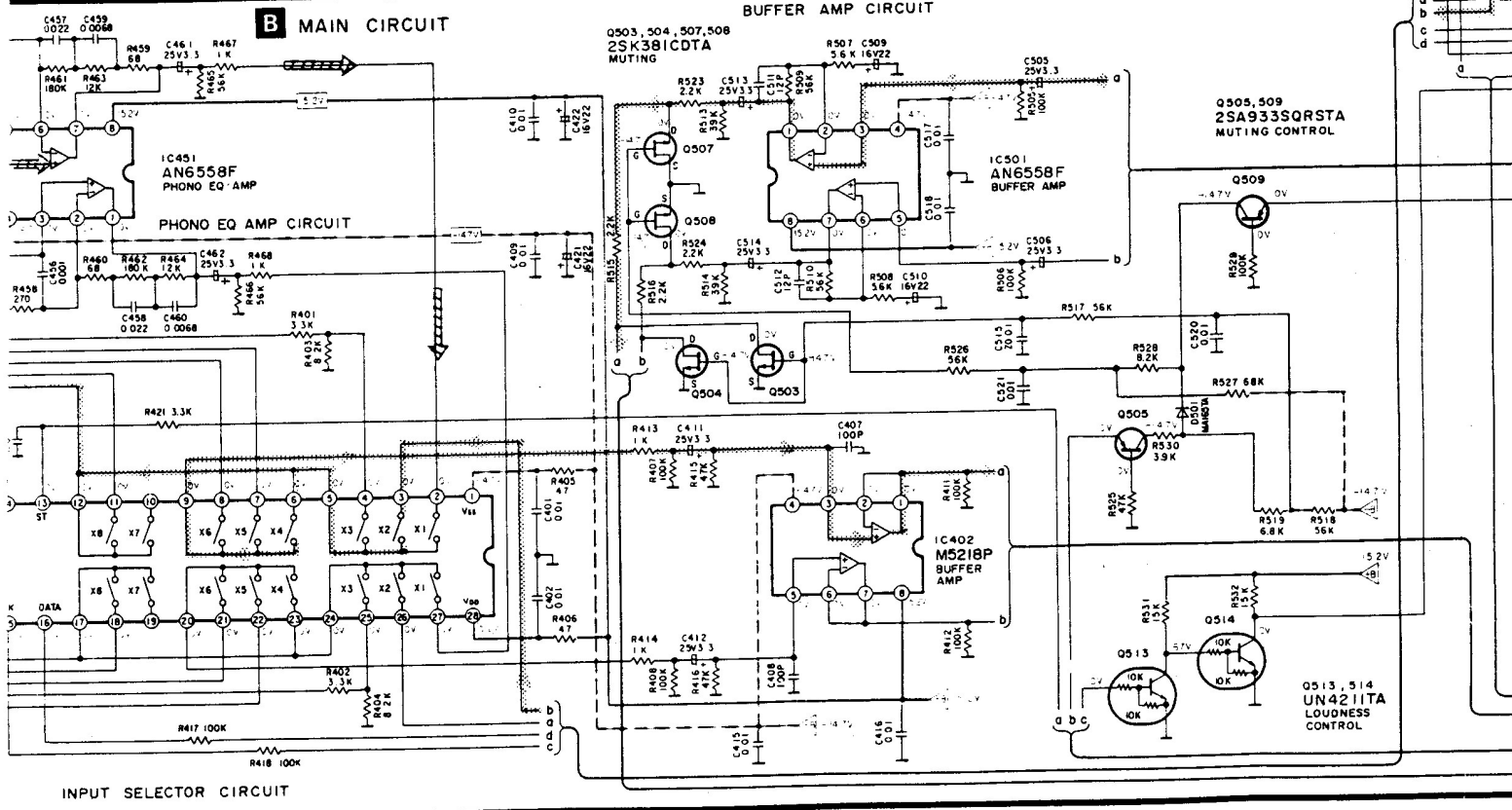
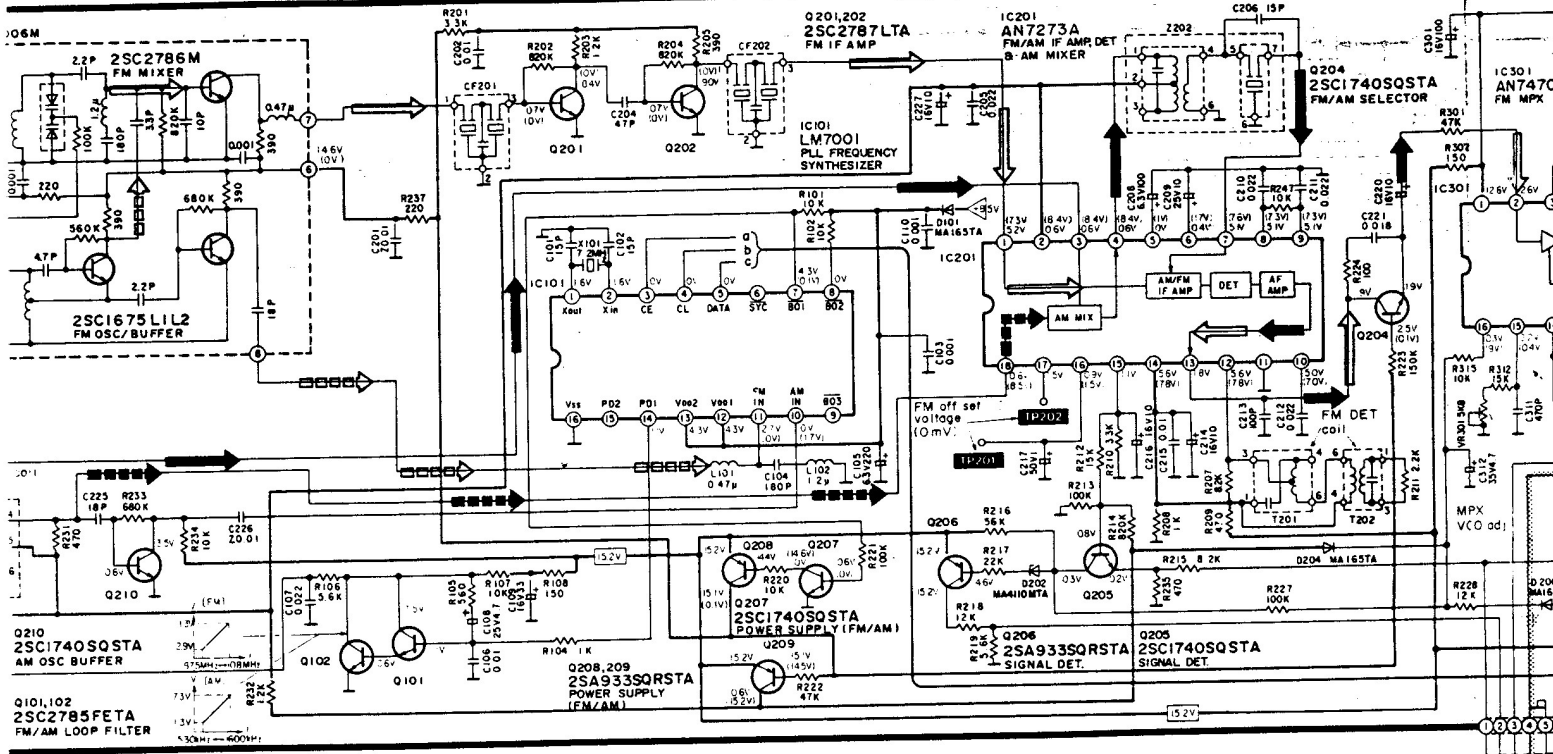


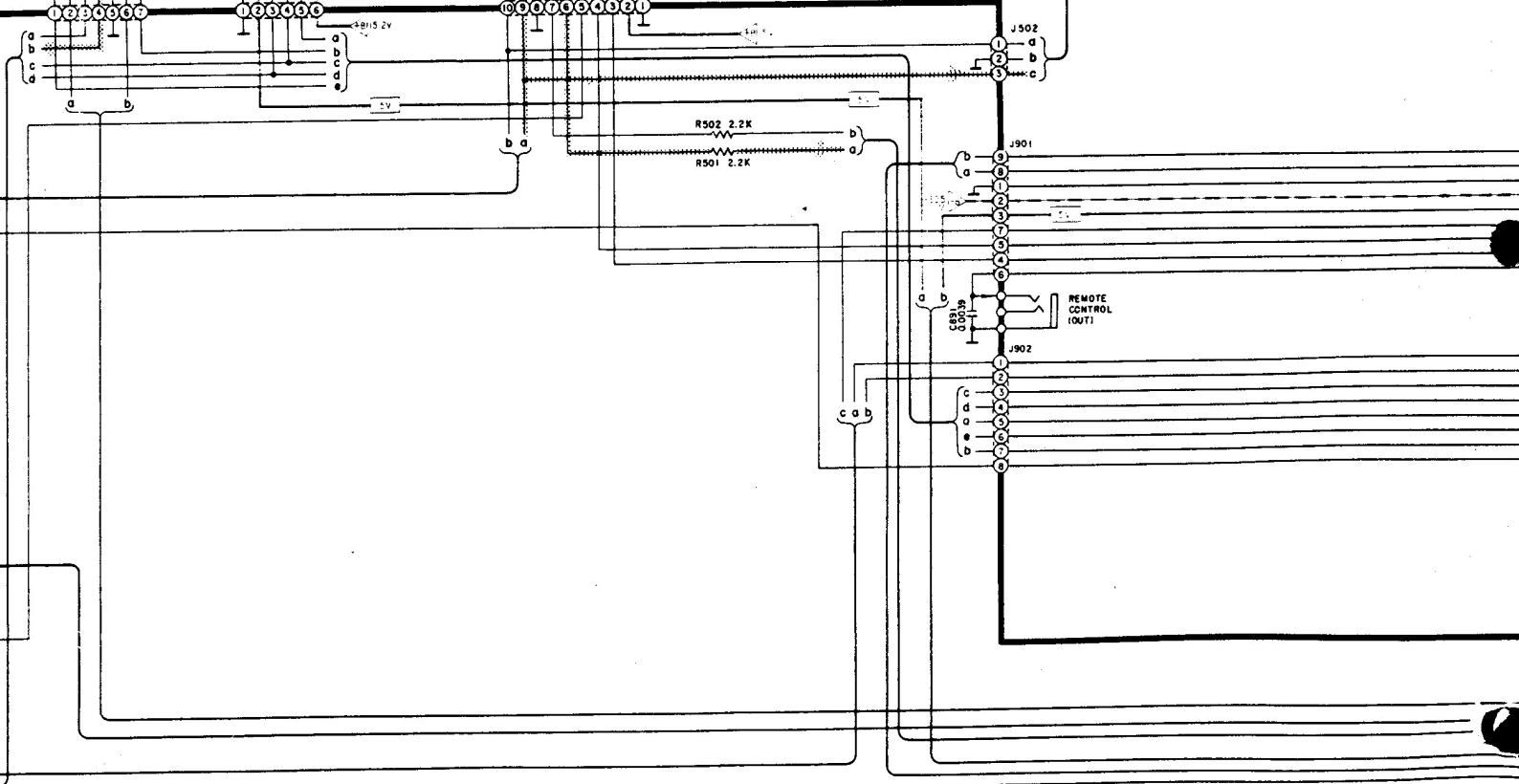
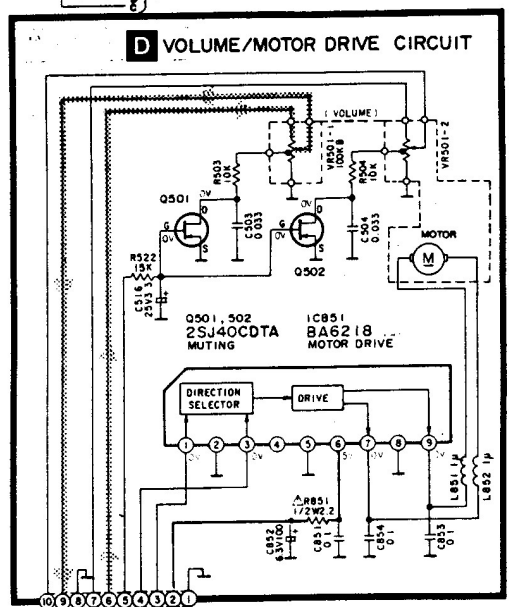
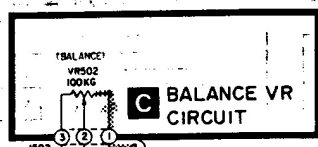
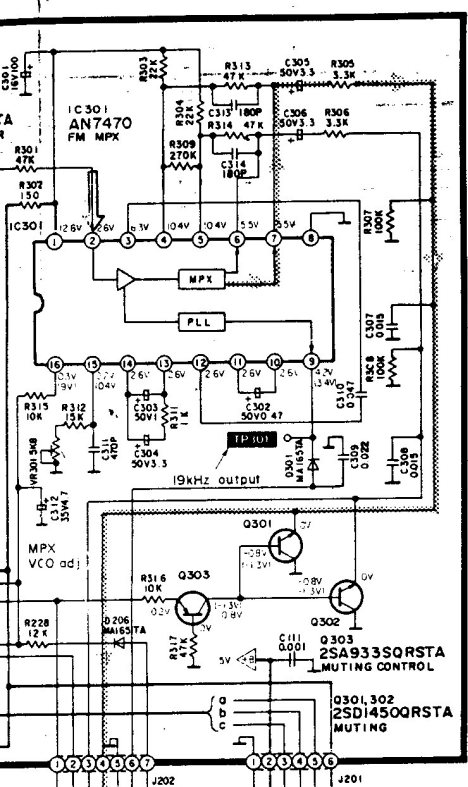
Key No.	Function	Custom Code	Data Code	Key No.	Function
0	CD5	01100	010100	30	Tuner 8
3	DECK rec mute	01001	000111	31	Tuner 1
4	DECK play ◀	01001	001001	32	CD9
5	Volume up	01001	100100	33	CD2
6	Tuner 5	01001	010100	35	CD skip ◀
8	CD6	01100	010101	36	DECK pause
10	program/continue	01100	011101	38	Tuner 9
11	CD play	01100	001010	39	Tuner 2
12	DECK play ▶	01001	001010	40	CD0
13	Volume down	01001	100101	41	CD3
14	Tuner 6	01001	010101	43	CD skip ▶
16	CD7	01100	010110	44	DECK stop
19	CD pause	01100	000110	46	Tuner 0
20	DECK ◀◀	01001	000010	47	Tuner 3
21	Muting	01001	100111	48	CD +10
22	Tuner 7	01001	010110	49	CD4
24	CD8	01100	010111	51	Disc
25	CD1	01100	010000	52	DECK rec
27	CD stop	01100	000000	53	DECK 1/2
28	DECK ▶▶	01001	000011	55	Tuner 4



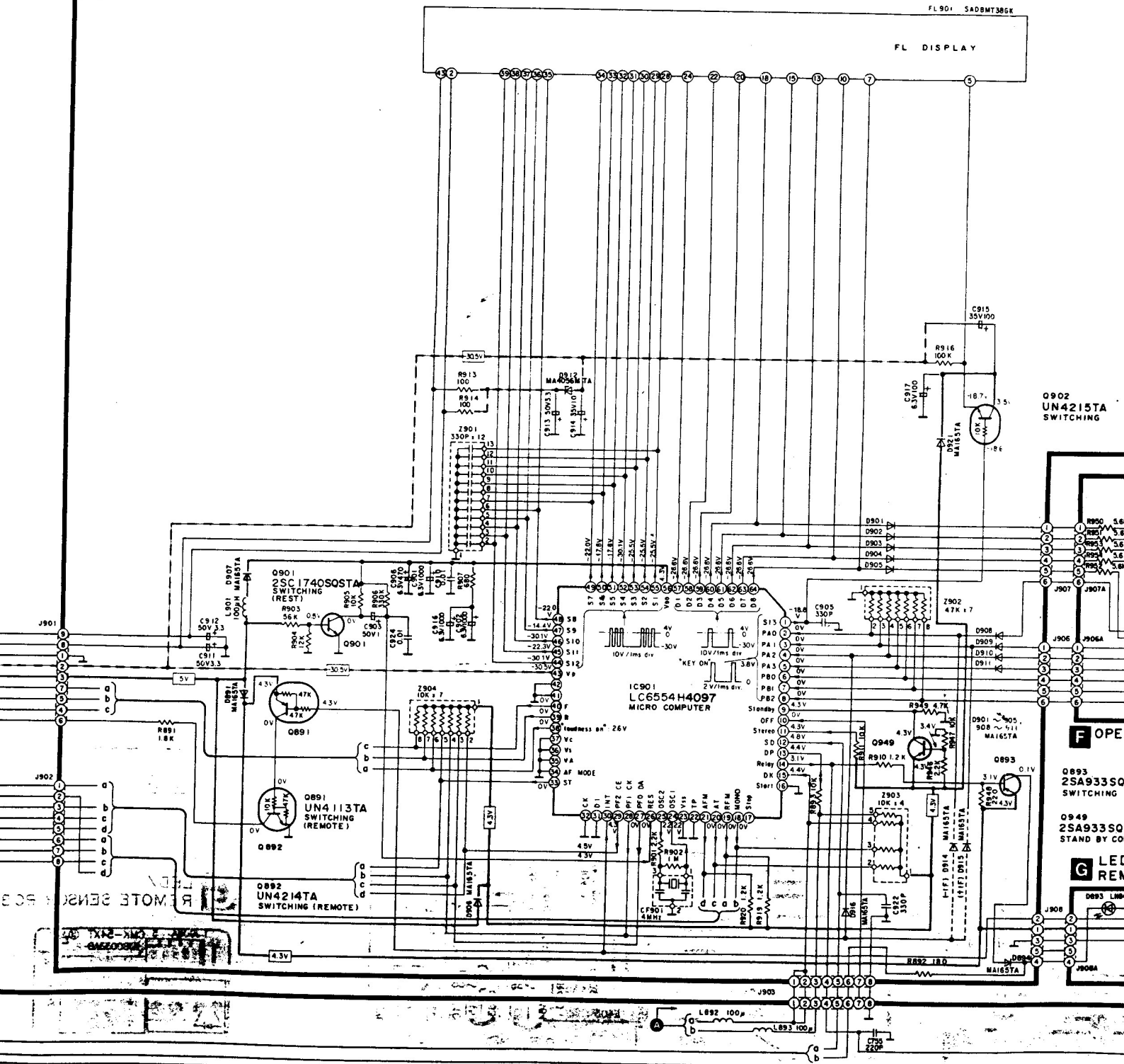
Custom Code	Data Code
01001	010111
01001	010000
01100	011000
01100	010001
01100	000010
01001	000110
01001	011000
01100	011001
01100	010010
01100	000011
01001	000000
01001	011001
01001	010010
01100	011010
01100	010011
01100	100110
01001	001000
01001	000100
01001	010011



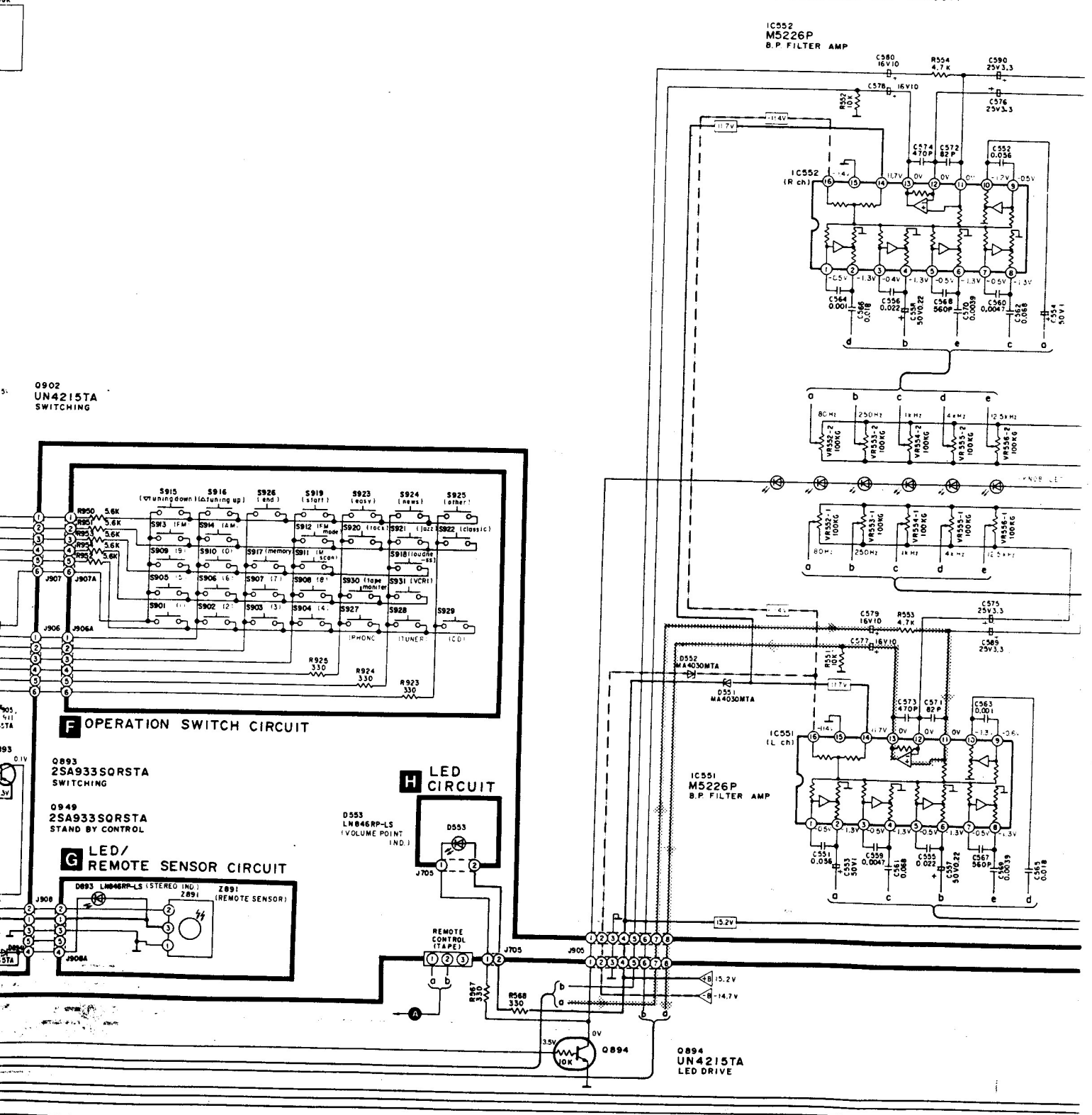




E FL METER DRIVE / GRAPHIC EQUALIZER AMP CIRCUIT SYSTEM CONTROL CIRCUIT



GRAPHIC EQUALIZER AMP CIRCUIT



Q902 UN4215TA SWITCHING

F OPERATION SWITCH CIRCUIT

Q893 2SA933SORSTA SWITCHING

Q949 2SA933SORSTA STAND BY CONTROL

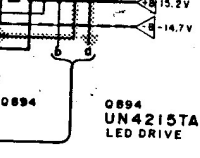
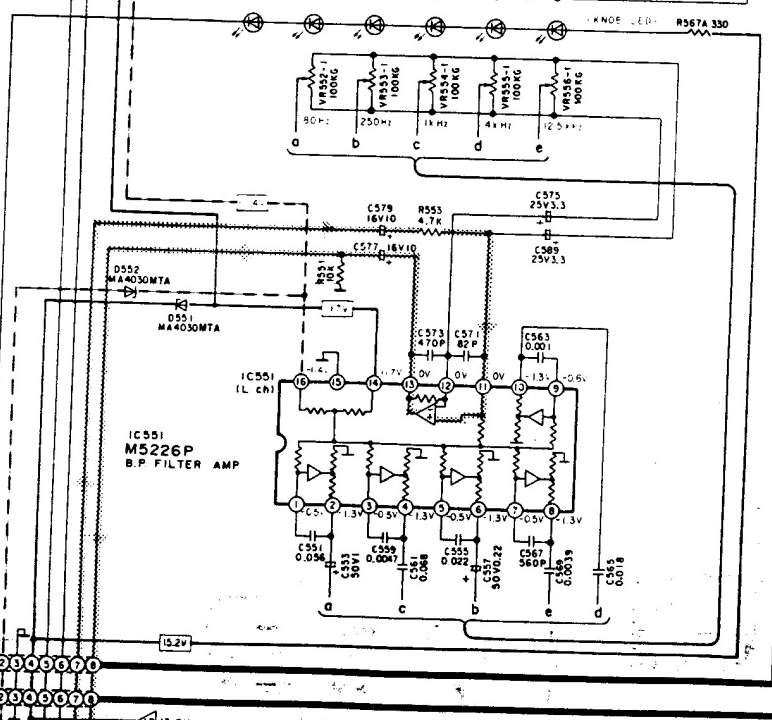
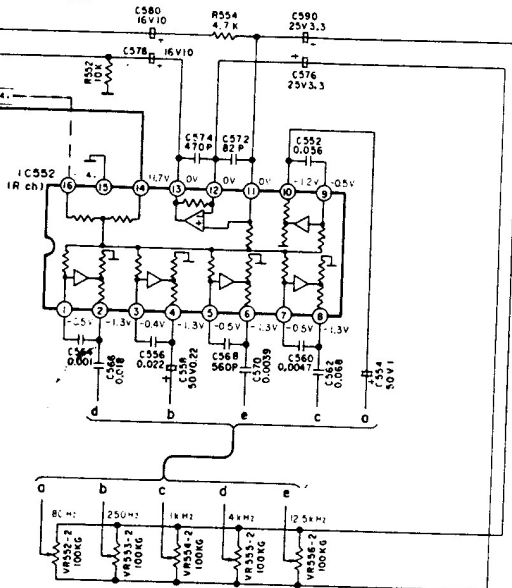
G LED/REMOTE SENSOR CIRCUIT

H LED CIRCUIT

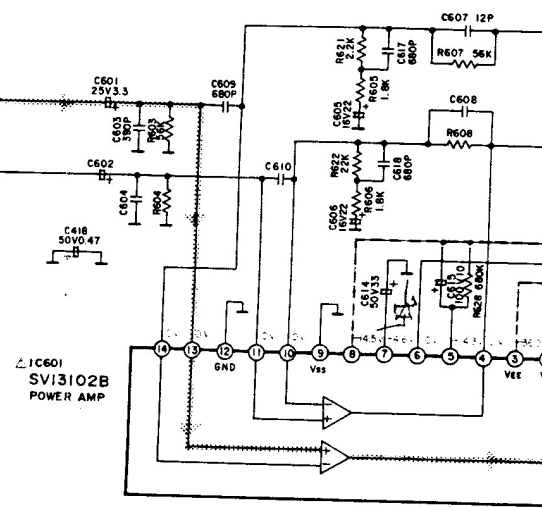
Q894 UN4215TA LED DRIVE

GRAPHIC EQUALIZER AMP CIRCUIT

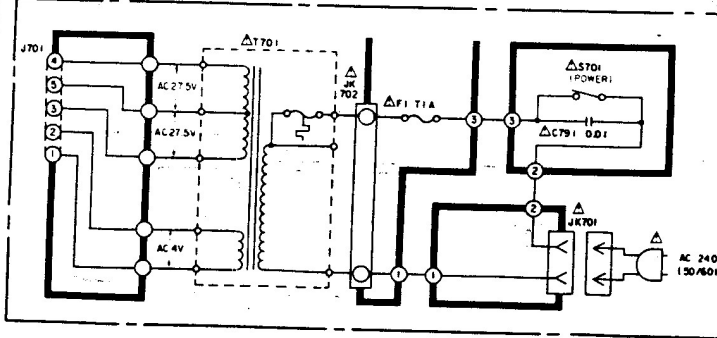
IC552
M5226P
B.P. FILTER AMP



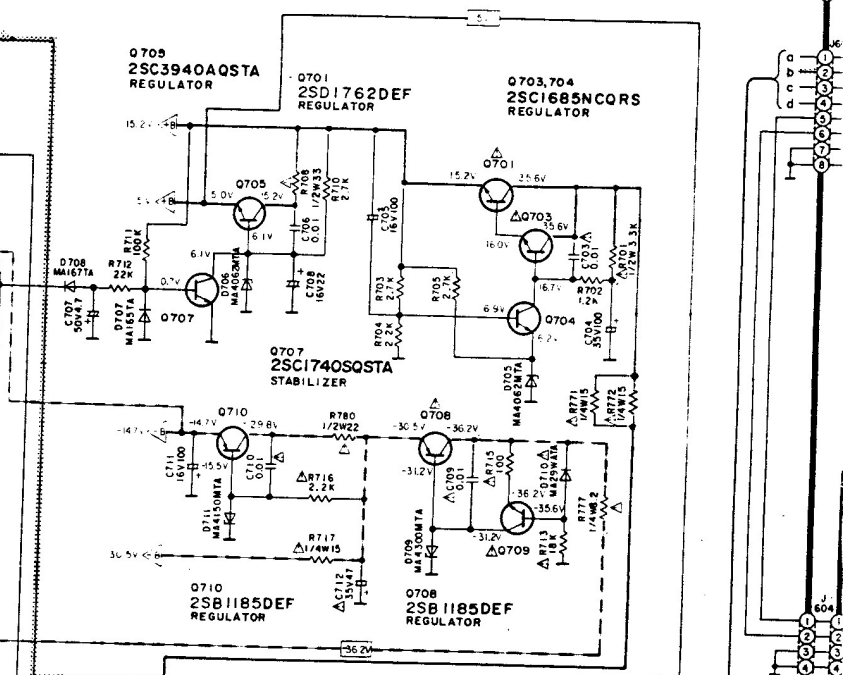
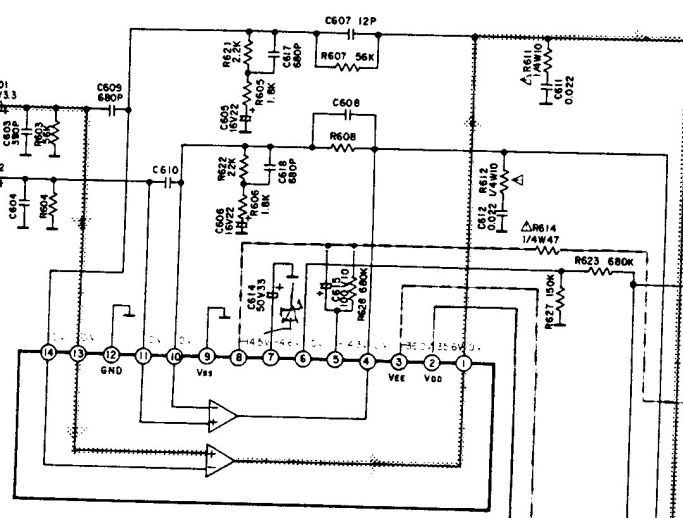
POWER AMP CIRCUIT



Power Source For (GN) area.



POWER AMP CIRCUIT



POWER SOURCE CIRCUIT

