

Service Manual

Hi-Fi Speaker System

SB-3410 (K)

[E], [EB], [EH], [Ei]
[EF], [EK], [EG]



SB-3430 (K)

[E], [EB], [EH], [Ei]
[EF], [EK], [EG]



SB-3450 (K)

[E], [EB], [EH], [Ei]
[EF], [EK], [EG]



Areas

* The colors of the model include wood and black.
* The black type and rose wood type model is provided with (K) in the Service Manual.

* [E] is available in Scandinavia and Switzerland. * [EH] is available in Holland.
* [EK] is available in United Kingdom. * [Ei] is available in Italy.
* [EF] is available in France. * [EG] is available in Germany.
* [EB] is available in Belgium.

Specifications

(Specifications are subject to change without notice for further improvement.)

Type: 2 way 2 speaker system
Speakers: Woofer: 20 cm, cone type
Tweeter: 5.5 cm, cone type

Impedance: 8 ohms
Input Power: 100 W, Music
50 W, DIN

Output Sound
Pressure Level: 93 dB/W (1.0 m)
Crossover Frequency: 4,000 Hz.
Frequency Range: 70 Hz ~ 20 kHz (- 10 dB)
50 Hz ~ 25 kHz (- 16 dB)
Dimensions: 26.1 (W) x 48.8 (H) x 22.1 (D) cm
Weight: 4.8 kg

TECHNISCHE DATEN

(Spezifikationen können infolge von Verbesserungen ohne Ankündigung geändert werden).

Typ: 2-Weg-System mit 2 Lautsprechern
Lautsprecher: Tieftonlautsprecher: 20 cm, Konustyp
Hochtonlautsprecher: 5.5 cm, Konustyp

Impedanz: 8 Ohms
Belastbarkeit: 100 Watt Musik
50 Watt DIN

Abgegebener Schalldruckpegel: 93 dB/W (in 1.0 m Abstand)

Überschneidungsfrequenz: 4.000 Hz
Frequenzbereich: 70 Hz ~ 20 kHz (- 10 dB)
50 Hz ~ 25 kHz (- 16 dB)

Abmessungen: 26.1 (B) x 48.8 (H) x 22.1 (T) cm
Gewicht: 4,8 kg

CARACTERISTIQUES

(Sujet à changement sans préavis).

Type: 2 voies, 2 haut-parleurs
Haut-parleurs: graves: 20 cm, type à cône
aigus: 5.5 cm, type à cône

Impédance: 8 ohms
Entrée maximale: 100 watts, musique
50 watts, DIN

Niveau de pression sonore de sortie: 93 dB/W (1.0 m)

Fréquence de commutation: 4.000 Hz
Gamme de fréquences: 70 Hz ~ 20 kHz (- 10 dB)
50 Hz ~ 25 kHz (- 16 dB)

Dimensions: 26.1 (l) x 48.8 (H) x 22.1 (P) cm
Poids: 4,8 kg

Technics

Matsushita Electric Trading Co., Ltd.
P.O. Box 288, Central Osaka Japan

SB-3430/K**Specifications**

(Specifications are subject to change without notice for further improvement).

Type: 3 way 3 speaker system
Speakers: Woofer: 20 cm, cone type
 Tweeter: 5.5 cm, cone type
 Super Tweeter:
 8 ohms
Impedance:
Input Power: 100 W, Music
 50 W, DIN

Output Sound
Pressure Level: 90 dB/W (1.0 m)
Crossover Frequency: 4,000 Hz, 10,000 Hz
Frequency Range: 62 Hz ~ 25 kHz (-10 dB)
 48 Hz ~ 30 kHz (-16 dB)
Dimensions: 26.1 (W) x 51.5 (H) x 22.1 (D) cm
Weight: 5.8 kg

TECHNISCHE DATEN

(Spezifikationen können infolge von Verbesserungen ohne Ankündigung geändert werden).

Typ: 3-Weg-System mit 3 Lautsprechern
Lautsprecher: Tieftonlautsprecher: 20 cm, Konustyp
 Hochtonlautsprecher: 5.5 cm, Konustyp
 Ultrahochtonlautsprecher:
Impedanz: 8 Ohms
Belastbarkeit: 100 Watt Musik
 50 Watt DIN
Abgegebener Schalldruckpegel: 90 dB/W (in 1.0 m Abstand)
Überschneidungsfrequenz: 4.000 Hz, 10.000 Hz
Frequenzbereich: 62 Hz ~ 25 kHz (-10 dB)
 48 Hz ~ 30 kHz (-16 dB)
Abmessungen: 26.1 (B) x 51.5 (H) x 22.1 (T) cm
Gewicht: 5,8 kg

CARACTERISTIQUES

(Sujet à changement sans préavis).

Type: 3 voies, 3 haut-parleurs
Haut-parleurs: graves: 20 cm, type à cône
 aigus: 5.5 cm, type à cône
 "Super haut-parleur" aigu:
Impédance: 8 ohms
Entrée maximale: 100 watts, musique
 50 watts, DIN
Niveau de pression sonore de sortie: 90 dB/W (1.0 m)
Fréquence de commutation: 4.000 Hz, 10.000 Hz
Gamme de fréquences: 62 Hz ~ 25 kHz (-10 dB)
 48 Hz ~ 30 kHz (-16 dB)
Dimensions: 26.1 (l) x 51.5 (H) x 22.1 (P) cm
Poids: 5,8 kg

SB-3450/K**Specifications**

(Specifications are subject to change without notice for further improvement).

Type: 3 way 3 speaker system
Speakers: Woofer: 25 cm, cone type
 Tweeter: 5.5 cm, cone type
 Super Tweeter:
 8 ohms
Impedance:
Input Power: 120 W, Music
 60 W, DIN

Output Sound
Pressure Level: 90 dB/W (1.0 m)
Crossover Frequency: 2,600 Hz, 10,000 Hz
Frequency Range: 60 Hz ~ 25 kHz (-10 dB)
 46 Hz ~ 30 kHz (-16 dB)
Dimensions: 29.2 (W) x 55.5 (H) x 22.1 (D) cm
Weight: 6.2 kg

TECHNISCHE DATEN

(Spezifikationen können infolge von Verbesserungen ohne Ankündigung geändert werden).

Typ: 3-Weg-System mit 3 Lautsprechern
Lautsprecher: Tieftonlautsprecher: 25 cm, Konustyp
 Hochtonlautsprecher: 5.5 cm, Konustyp
 Ultrahochtonlautsprecher:
Impedanz: 8 Ohms
Belastbarkeit: 120 Watt Musik
 60 Watt DIN
Abgegebener Schalldruckpegel: 90 dB/W (in 1.0 m Abstand)
Überschneidungsfrequenz: 4.500 Hz, 10.000 Hz
Frequenzbereich: 60 Hz ~ 25 kHz (-10 dB)
 46 Hz ~ 30 kHz (-16 dB)
Abmessungen: 29.2 (B) x 55.5 (H) x 22.1 (T) cm
Gewicht: 6,2 kg

CARACTERISTIQUES

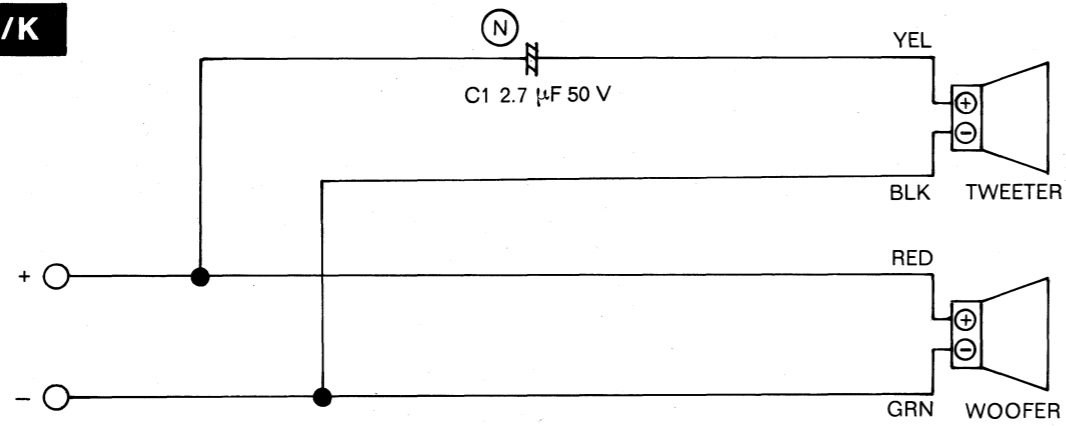
(Sujet à changement sans préavis).

Type: 3 voies, 3 haut-parleurs
Haut-parleurs: graves: 25 cm, type à cône
 aigus: 5.5 cm, type à cône
 "Super haut-parleur" aigu:
Impédance: 8 ohms
Entrée maximale: 120 watts, musique
 60 watts, DIN
Niveau de pression sonore de sortie: 90 dB/W (1.0 m)
Fréquence de commutation: 4.500 Hz, 10.000 Hz
Gamme de fréquences: 60 Hz ~ 25 kHz (-10 dB)
 46 Hz ~ 30 kHz (-16 dB)
Dimensions: 29.2 (l) x 55.5 (H) x 22.1 (P) cm
Poids: 6,2 kg

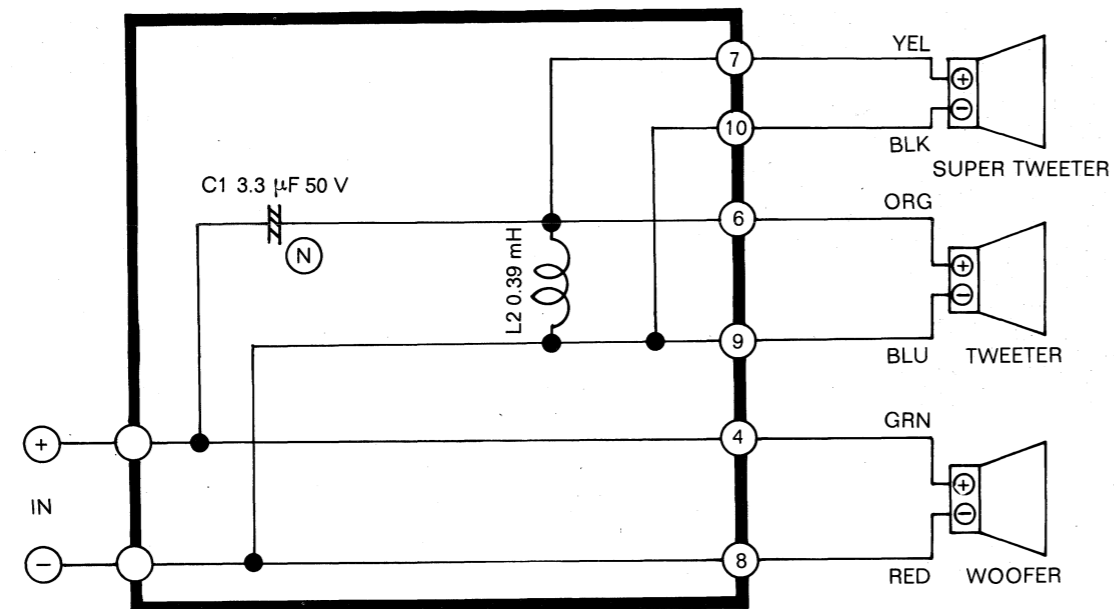
■ SCHEMATIC DIAGRAM

(This schematic diagram may be modified at any time with the development of new technology).

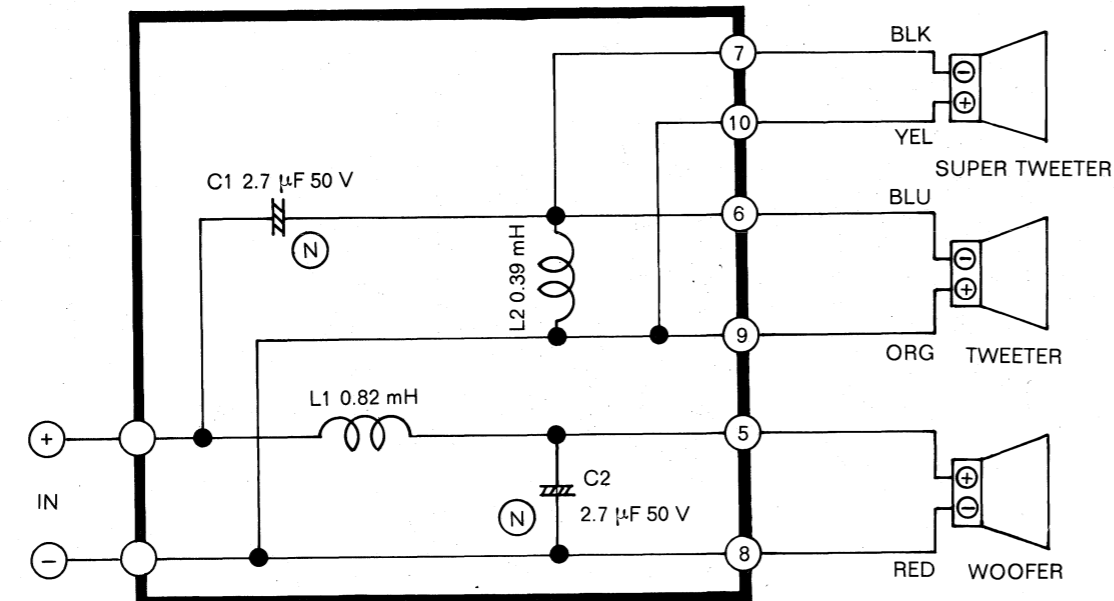
SB-3410/K



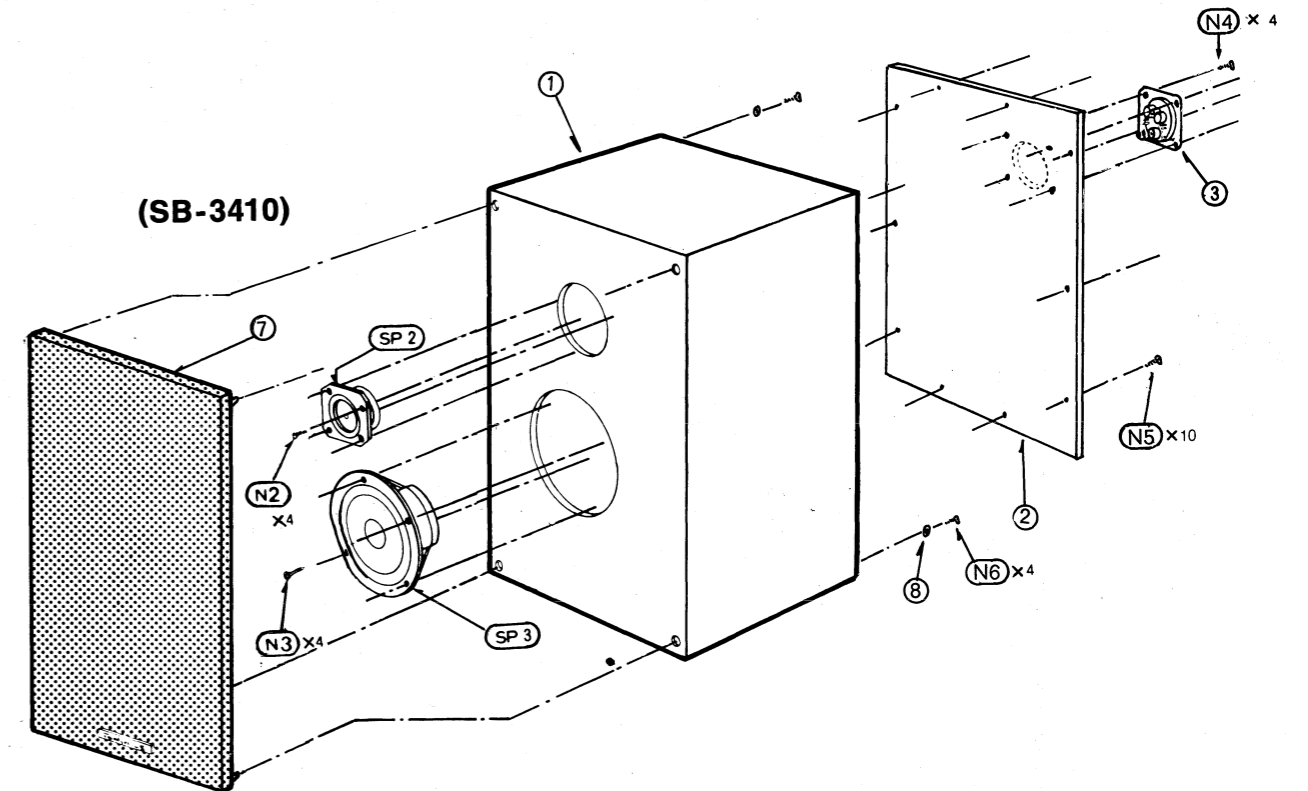
SB-3430/K



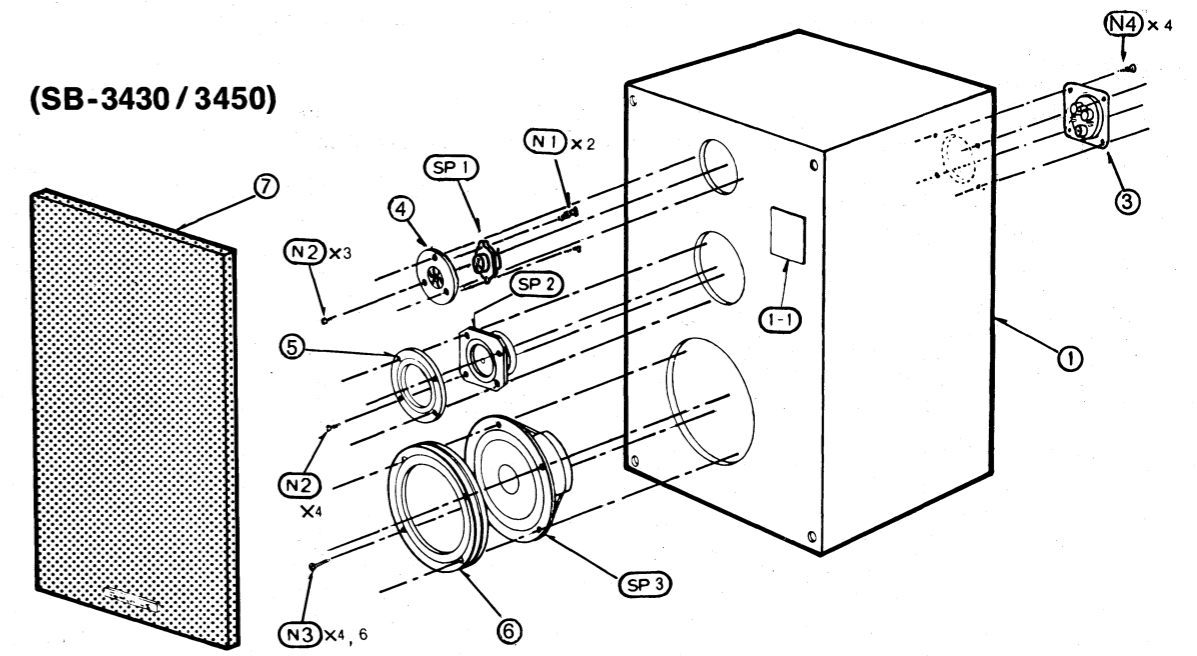
SB-3450/K



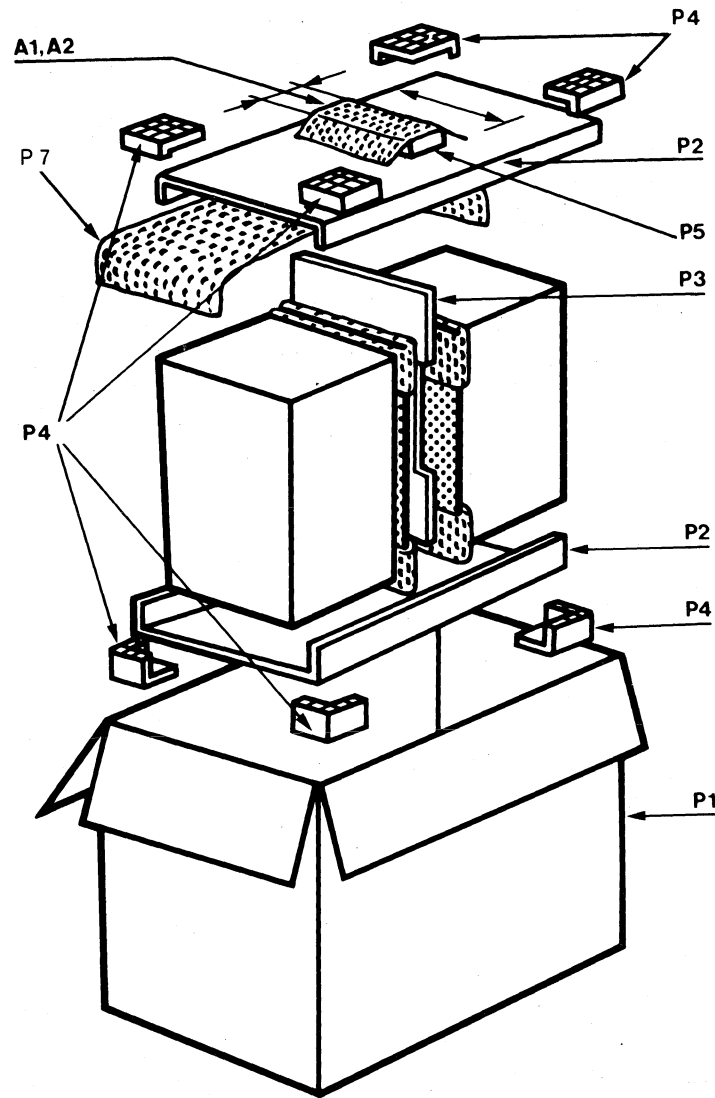
■ EXPLODED VIEW



(SB-3430 / 3450)

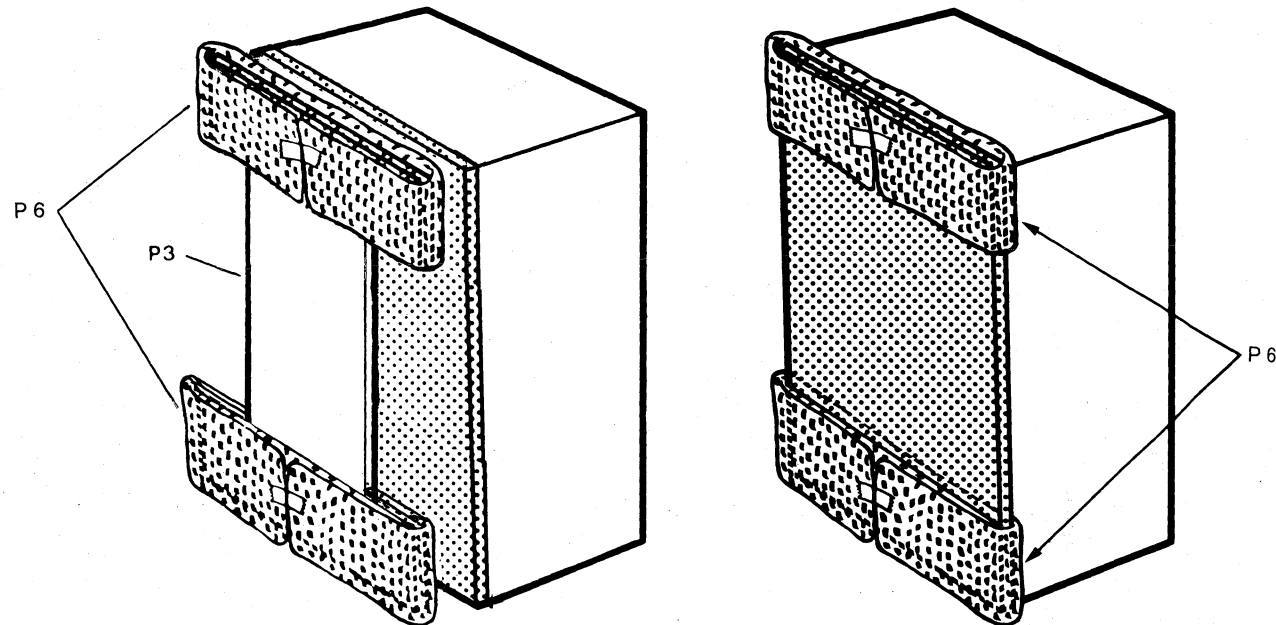


■ PACKINGS



(SB-3410)

(SB-3430 / 3450)



■ REPLACEMENT PARTS LIST

Notes: 1. Part numbers are indicated on most mechanical parts. Please use this part number for parts orders.

2. -marked parts are used for black type only, while O-marked parts are for wood type only.
3. Bracketed indications in Ref. No. columns specify the area. Parts without these indications can be used for all areas.

SB-3410/K

Ref. No.	Part No.	Part Name & Description
SPEAKER		
SP2	EAS65PH60SJ-T	Speaker, Tweeter
SP3	EAS20PL235SA	Speaker, Woofer
CAPACITOR		
C1	ECEA50Y2R7K	Non-Polar Electrolytic, 2,7 μF, 50 V
CABINET PARTS		
1 [EK] only	SKASPB3410KEK	Cabinet (Rose Wood Type)
1 [Other Area]	SKASPB3410KE	Cabinet (Black Type)
2	SKUSPS30	Rear board
3	SJFSPS5207	Terminal Ass'y, Input
7	SYBSPS96-2	Grill
8	XWE4F16	Washer
SCREWS		
N2	XTNSS43+25D1	Screw, Tweeter

Ref. No.	Part No.	Part Name & Description
N3	XTNSS50+25DS	Screw, Woofer
N4	XMS31+D13FZ	Screw, Terminal
N5	XMS31+D25FZ	Screw, Rear Board
N6	XTB4+13B	Screw, Grill
ACCESSORIES		
A1	SOXSPS5287	Instructions Book
A2	SWXSPS214	Cord, Speaker
PACKING PARTS		
P1	SPGSPS4	Carton Box
P2	SPSSPS001	Pad, Upper & Lower
P3	SPSSPS002	Pad, Middle
P4	SPSSPS1019	Pad, Corner
P5	SPSSPS1027-1	Pad, Sheet
P6	SPHSPS001	Sheet
P7	SPHSPS003	Sheet

SB-3430/K

Ref. No.	Part No.	Part Name & Description
SPEAKER		
SP1	EAS3FP16A	Speaker, Supper Tweeter
SP2	EAS65PH60SJ-T	Speaker, Tweeter
SP3	EAS20PL235S	Speaker, Woofer
COILS		
L1	SLCSC391KU	Coil, Choke 0,39 mH
CAPACITOR		
C1	ECEA50Y3R3K	Non-Polar Electrolytic, 3,3 μF, 50 V
CABINET PARTS		
1 [EK] only	SKASPB3430KEK	Cabinet (Rose Wood Type)
1 [Other Area]	SKASPB3430KE	Cabinet (Black Type)
1-1	SGKS209	Name Plate
3	SJFSPS5207	Terminal Ass'y, Input
4	SGHSPS1005	Ornament, Supper Tweeter
5	SGEPS106-1	Ornament, Tweeter
6	SGHSPS1007	Ornament, Woofer
7	SYBSPS89	Grill

Ref. No.	Part No.	Part Name & Description
SCREWS		
N1	XTB4+10B	Screw, Supper Tweeter
N2	XTNSS43+25D1	Screw, Supper Tweeter & Tweeter
N3	XTNSS50+25DS	Screw, Woofer
N4	XMS31+13FZ	Screw, Terminal
ACCESSORIES		
A1	SOXSPS5286	Instructions Book
A2	SWXSPS214	Cord, Speaker
PACKING PARTS		
P1	SPGSPS5	Carton Box
P2	SPSSPS001	Pad, Upper & Lower
P3	SPSSPS003	Pad, Middle
P4	SPSSPS1019	Pad, Corner
P5	SPSSPS1027-1	Pad, Sheet
P6	SPHSPS001	Sheet
P7	SPHSPS003	Sheet

SB-3450/K

Ref. No.	Part No.	Part Name & Description
SPEAKER		
SP1	EAS3FP16A	Speaker, Supper Tweeter
SP2	EAS65PH60SJ-T	Speaker, Tweeter
SP3	EAS25PL167S	Speaker, Woofer
COILS		
L1	SLCSC821KU	Coil, Choke 0,82 mH
L2	SLCSC391KU	Coil, Choke 0,39 mH
CAPACITOR		
C1, C2	ECEA50Y2R7K	Non-Polar Electrolytic, 2,7 μF, 50 V
CABINET PARTS		
1 [EK] only	SKBSPB3450KEK	Cabinet (Rose Wood Type)
1 [Other Area]	SKBSPB3450KE	Cabinet (Black Type)
1-1	SGKS208	Name Plate
3	SJFSPS5207	Terminal Ass'y, Input
4	SGHSPS1005	Ornament, Supper Tweeter
5	SGHSPS106-1	Ornament, Tweeter
6	SGHSPS1008	Ornament, Woofer
7	SYBSPS161	Grill

Ref. No.	Part No.	Part Name & Description
SCREWS		
N1	XTB4+10B	Screw, Supper Tweeter
N2	XTNSS43+25D1	Screw, Supper Tweeter & Tweeter
N3	XTNSS50+25DS	Screw, Woofer
N4	XMS31+13FZ	Screw, Terminal
ACCESSORIES		
A1	SOXSPS5286	Instructions Book
A2	SWXSPS214	Cord, Speaker
PACKING PARTS		
P1	SPGSPS6	Carton Box
P2	SPGSPS004	Pad, Upper & Lower
P3	SPGSPS005	Pad, Middle
P4	SPSSPS1019	Pad, Corner
P5	SPSSPS1027-1	Pad, Sheet
P6	SPHSPS001	Sheet
P7	SPHSPS003	Sheet