

Service Manual

Hi-Fi Speaker System

SB-3410 (K)

[E], [EB], [EH], [Ei]
[EF], [EK], [EG]



SB-3430 (K)

[E], [EB], [EH], [Ei]
[EF], [EK], [EG]



SB-3450 (K)

[E], [EB], [EH], [Ei]
[EF], [EK], [EG]



Areas

* The colors of the model include wood and black.
* The black type and rose wood type model is provided with (K) in the Service Manual.

* [E] is available in Scandinavia and Switzerland. * [EH] is available in Holland.
* [EK] is available in United Kingdom. * [Ei] is available in Italy.
* [EF] is available in France. * [EG] is available in Germany.
* [EB] is available in Belgium.

Specifications

(Specifications are subject to change without notice for further improvement.)

Type: 2 way 2 speaker system
Speakers: Woofer: 20 cm, cone type
Tweeter: 5.5 cm, cone type
Impedance: 8 ohms
Input Power: 100 W, Music
50 W, DIN

Output Sound
Pressure Level: 93 dB/W (1.0 m)
Crossover Frequency: 4,000 Hz.
Frequency Range: 70 Hz ~ 20 kHz (- 10 dB)
50 Hz ~ 25 kHz (- 16 dB)
Dimensions: 26.1 (W) x 48.8 (H) x 22.1 (D) cm
Weight: 4.8 kg

TECHNISCHE DATEN

(Spezifikationen können infolge von Verbesserungen ohne Ankündigung geändert werden).

Typ: 2-Weg-System mit 2 Lautsprechern
Lautsprecher: Tieftonlautsprecher: 20 cm, Konustyp
Hochtonlautsprecher: 5.5 cm, Konustyp
Impedanz: 8 Ohms
Belastbarkeit: 100 Watt Musik
50 Watt DIN
Abgegebener Schalldruckpegel: 93 dB/W (in 1.0 m Abstand)
Überschneidungsfrequenz: 4.000 Hz
Frequenzbereich: 70 Hz ~ 20 kHz (- 10 dB)
50 Hz ~ 25 kHz (- 16 dB)
Abmessungen: 26.1 (B) x 48.8 (H) x 22.1 (T) cm
Gewicht: 4,8 kg

CARACTERISTIQUES

(Sujet à changement sans préavis).

Type: 2 voies, 2 haut-parleurs
Haut-parleurs: graves: 20 cm, type à cône
aigus: 5.5 cm, type à cône
Impédance: 8 ohms
Entrée maximale: 100 watts, musique
50 watts, DIN
Niveau de pression sonore de sortie: 93 dB/W (1.0 m)
Fréquence de commutation: 4.000 Hz
Gamme de fréquences: 70 Hz ~ 20 kHz (- 10 dB)
50 Hz ~ 25 kHz (- 16 dB)
Dimensions: 26.1 (l) x 48.8 (H) x 22.1 (P) cm
Poids: 4,8 kg

Technics

Matsushita Electric Trading Co., Ltd.
P.O. Box 288, Central Osaka Japan

SB-3430/K**Specifications**

(Specifications are subject to change without notice for further improvement).

Type: 3 way 3 speaker system
Speakers: Woofer: 20 cm, cone type
 Tweeter: 5.5 cm, cone type
 Super Tweeter:
 8 ohms
Impedance:
Input Power: 100 W, Music
 50 W, DIN

Output Sound
Pressure Level: 90 dB/W (1.0 m)
Crossover Frequency: 4,000 Hz, 10,000 Hz
Frequency Range: 62 Hz ~ 25 kHz (-10 dB)
 48 Hz ~ 30 kHz (-16 dB)
Dimensions: 26.1 (W) x 51.5 (H) x 22.1 (D) cm
Weight: 5.8 kg

TECHNISCHE DATEN

(Spezifikationen können infolge von Verbesserungen ohne Ankündigung geändert werden).

Typ: 3-Weg-System mit 3 Lautsprechern
Lautsprecher: Tieftonlautsprecher: 20 cm, Konustyp
 Hochtonlautsprecher: 5.5 cm, Konustyp
 Ultrahochtonlautsprecher:
Impedanz: 8 Ohms
Belastbarkeit: 100 Watt Musik
 50 Watt DIN
Abgegebener Schalldruckpegel: 90 dB/W (in 1.0 m Abstand)
Überschneidungsfrequenz: 4.000 Hz, 10.000 Hz
Frequenzbereich: 62 Hz ~ 25 kHz (-10 dB)
 48 Hz ~ 30 kHz (-16 dB)
Abmessungen: 26.1 (B) x 51.5 (H) x 22.1 (T) cm
Gewicht: 5,8 kg

CARACTERISTIQUES

(Sujet à changement sans préavis).

Type: 3 voies, 3 haut-parleurs
Haut-parleurs: graves: 20 cm, type à cône
 aigus: 5.5 cm, type à cône
 "Super haut-parleur" aigu:
Impédance: 8 ohms
Entrée maximale: 100 watts, musique
 50 watts, DIN
Niveau de pression sonore de sortie: 90 dB/W (1.0 m)
Fréquence de commutation: 4.000 Hz, 10.000 Hz
Gamme de fréquences: 62 Hz ~ 25 kHz (-10 dB)
 48 Hz ~ 30 kHz (-16 dB)
Dimensions: 26.1 (l) x 51.5 (H) x 22.1 (P) cm
Poids: 5,8 kg

SB-3450/K**Specifications**

(Specifications are subject to change without notice for further improvement).

Type: 3 way 3 speaker system
Speakers: Woofer: 25 cm, cone type
 Tweeter: 5.5 cm, cone type
 Super Tweeter:
 8 ohms
Impedance:
Input Power: 120 W, Music
 60 W, DIN

Output Sound
Pressure Level: 90 dB/W (1.0 m)
Crossover Frequency: 2,600 Hz, 10,000 Hz
Frequency Range: 60 Hz ~ 25 kHz (-10 dB)
 46 Hz ~ 30 kHz (-16 dB)
Dimensions: 29.2 (W) x 55.5 (H) x 22.1 (D) cm
Weight: 6.2 kg

TECHNISCHE DATEN

(Spezifikationen können infolge von Verbesserungen ohne Ankündigung geändert werden).

Typ: 3-Weg-System mit 3 Lautsprechern
Lautsprecher: Tieftonlautsprecher: 25 cm, Konustyp
 Hochtonlautsprecher: 5.5 cm, Konustyp
 Ultrahochtonlautsprecher:
Impedanz: 8 Ohms
Belastbarkeit: 120 Watt Musik
 60 Watt DIN
Abgegebener Schalldruckpegel: 90 dB/W (in 1.0 m Abstand)
Überschneidungsfrequenz: 4.500 Hz, 10.000 Hz
Frequenzbereich: 60 Hz ~ 25 kHz (-10 dB)
 46 Hz ~ 30 kHz (-16 dB)
Abmessungen: 29.2 (B) x 55.5 (H) x 22.1 (T) cm
Gewicht: 6,2 kg

CARACTERISTIQUES

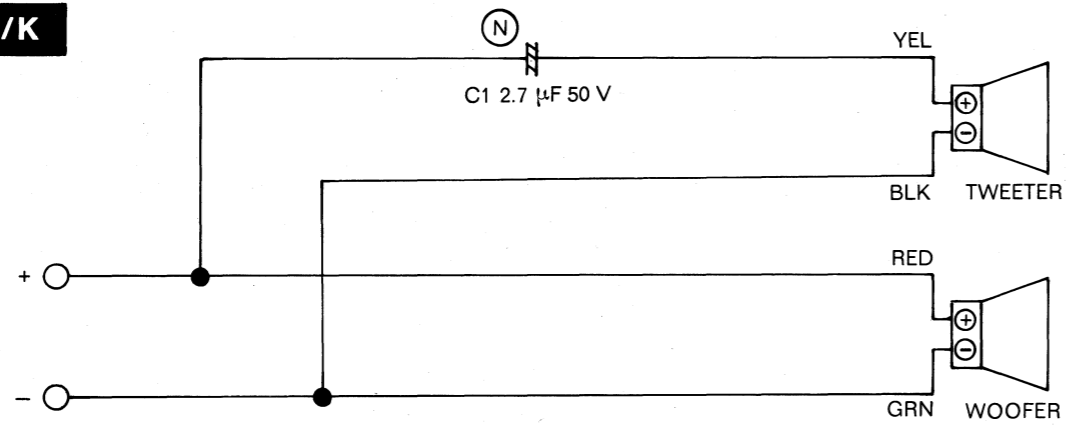
(Sujet à changement sans préavis).

Type: 3 voies, 3 haut-parleurs
Haut-parleurs: graves: 25 cm, type à cône
 aigus: 5.5 cm, type à cône
 "Super haut-parleur" aigu:
Impédance: 8 ohms
Entrée maximale: 120 watts, musique
 60 watts, DIN
Niveau de pression sonore de sortie: 90 dB/W (1.0 m)
Fréquence de commutation: 4.500 Hz, 10.000 Hz
Gamme de fréquences: 60 Hz ~ 25 kHz (-10 dB)
 46 Hz ~ 30 kHz (-16 dB)
Dimensions: 29.2 (l) x 55.5 (H) x 22.1 (P) cm
Poids: 6,2 kg

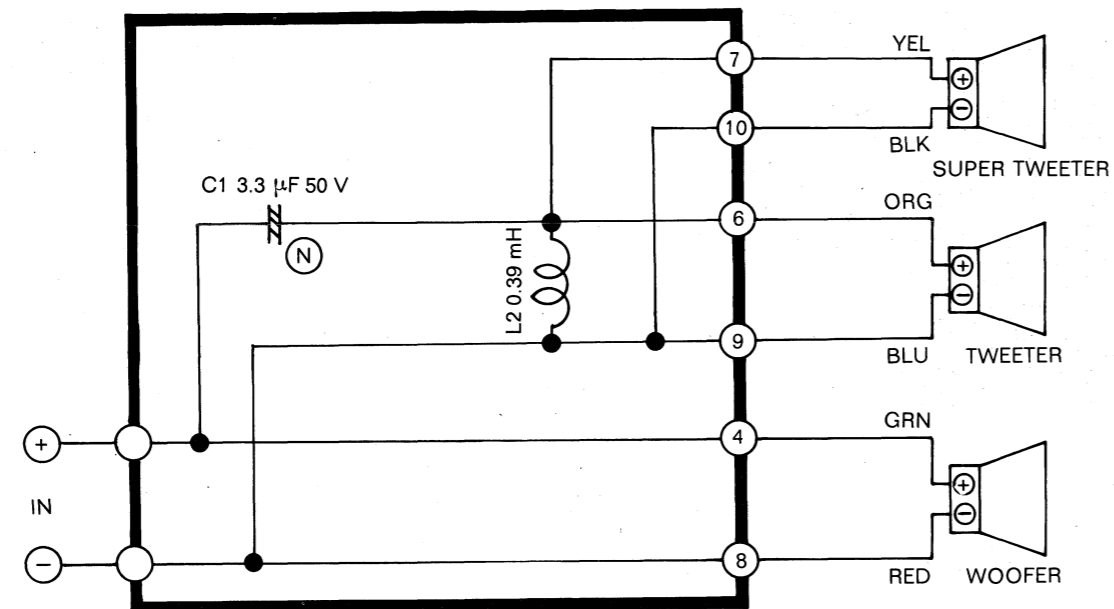
■ SCHEMATIC DIAGRAM

(This schematic diagram may be modified at any time with the development of new technology).

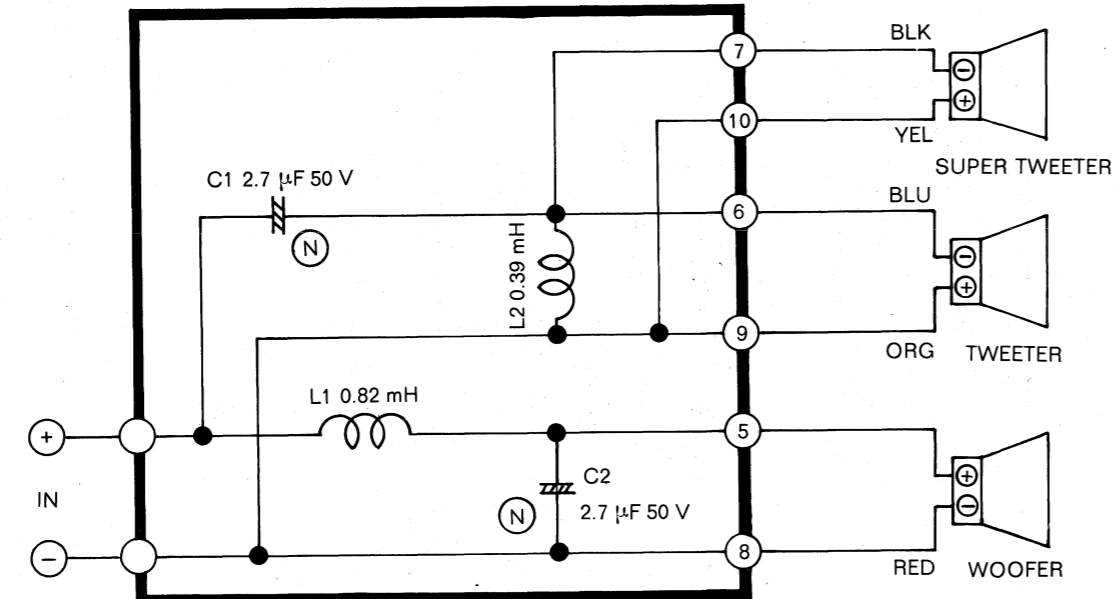
SB-3410/K



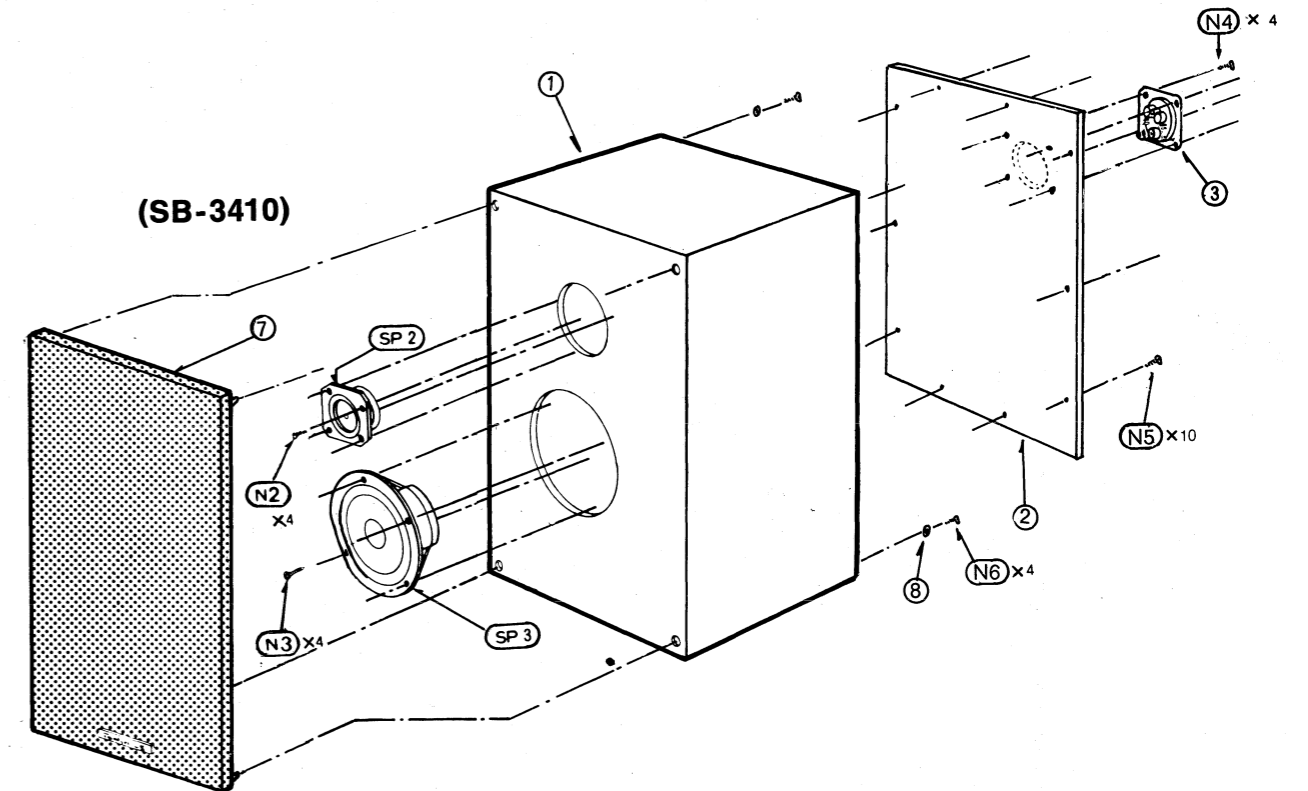
SB-3430/K



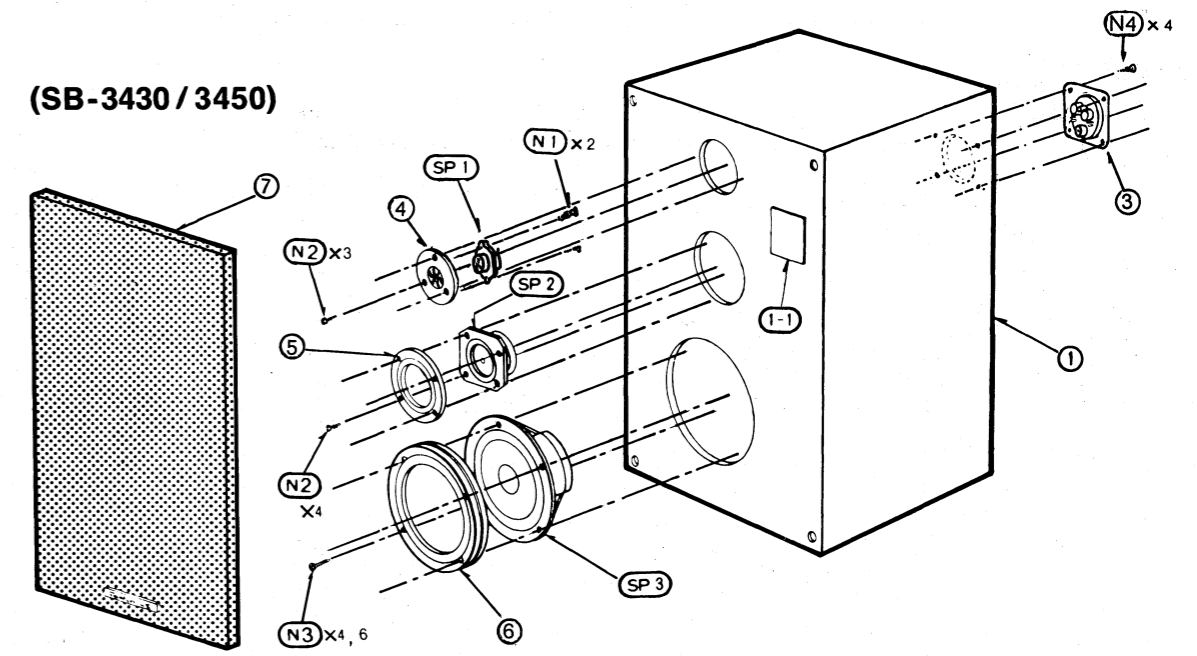
SB-3450/K



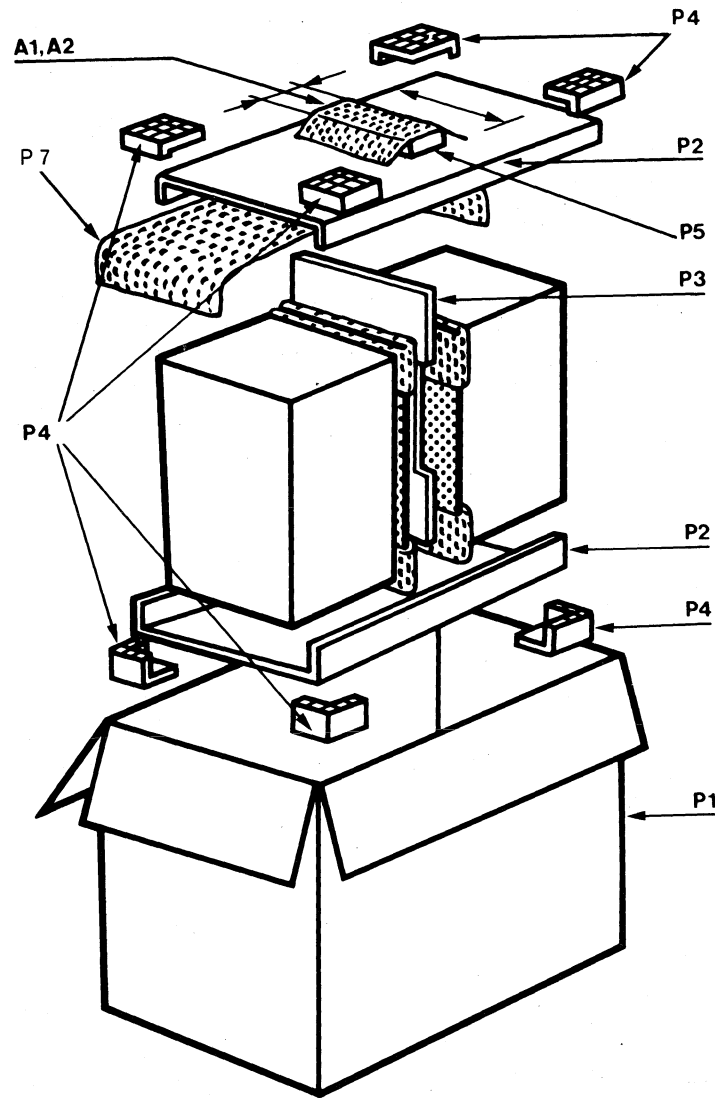
■ EXPLODED VIEW



(SB-3430 / 3450)

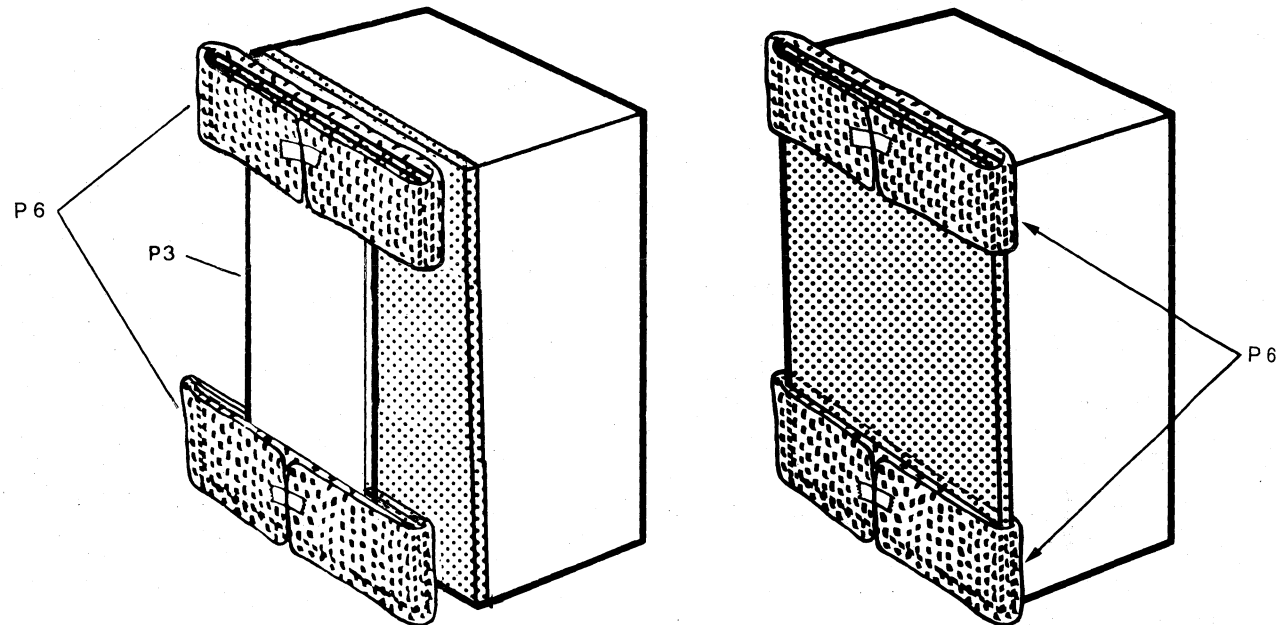


PACKINGS



(SB-3410)

(SB-3430 / 3450)



REPLACEMENT PARTS LIST

Notes: 1. Part numbers are indicated on most mechanical parts. Please use this part number for parts orders.

2. -marked parts are used for black type only, while O-marked parts are for wood type only.
3. Bracketed indications in Ref. No. columns specify the area. Parts without these indications can be used for all areas.

SB-3410/K			SB-3430/K			SB-3450/K		
Ref. No.	Part No.	Part Name & Description	Ref. No.	Part No.	Part Name & Description	Ref. No.	Part No.	Part Name & Description
SPEAKER			SPEAKER			SPEAKER		
SP2	EAS65PH60SJ-T	Speaker, Tweeter	SP1	EAS3FP16A	Speaker, Supper Tweeter	SP1	EAS3FP16A	Speaker, Supper Tweeter
SP3	EAS20PL235SA	Speaker, Woofer	SP2	EAS65PH60SJ-T	Speaker, Tweeter	SP2	EAS65PH60SJ-T	Speaker, Tweeter
CAPACITOR			COILS			COILS		
C1	ECEA50Y2R7K	Non-Polar Electrolytic, 2,7 µF, 50 V	L1	SLCSC391KU	Coil, Choke 0,39 mH	L1	SLCSC821KU	Coil, Choke 0,82 mH
CABINET PARTS			CAPACITOR			CAPACITOR		
1 [EK] only	SKASPB3410KEK	Cabinet (Rose Wood Type)	C1	ECEA50Y3R3K	Non-Polar Electrolytic, 3,3 µF, 50 V	C1, C2	ECEA50Y2R7K	Non-Polar Electrolytic, 2,7 µF, 50 V
1 [Other Area]	SKASPB3410KE	Cabinet (Black Type)	CABINET PARTS			CABINET PARTS		
2	SKUSPS30	Rear board	1 [EK] only	SKASPB3430KEK	Cabinet (Rose Wood Type)	1 [EK] only	SKBSPB3450KEK	Cabinet (Rose Wood Type)
3	SJFSPS5207	Terminal Ass'y, Input	1 [Other Area]	SKASPB3430KE	Cabinet (Black Type)	1 [Other Area]	SKBSPB3450KE	Cabinet (Black Type)
7	SYBSPS96-2	Grill	1-1	SGKS209	Name Plate	1-1	SGKS208	Name Plate
8	XWE4F16	Washer	3	SJFSPS5207	Terminal Ass'y, Input	3	SJFSPS5207	Terminal Ass'y, Input
SCREWS			4	SGHSPS1005	Ornament, Supper Tweeter	4	SGHSPS1005	Ornament, Supper Tweeter
N2	XTNSS43+25D1	Screw, Tweeter	5	SGEPS106-1	Ornament, Tweeter	5	SGHSPS106-1	Ornament, Tweeter
ACCESSORIES			6	SGHSPS1007	Ornament, Woofer	6	SGHSPS1008	Ornament, Woofer
A1	SOXSPS5287	Instructions Book	7	SYBSPS89	Grill	7	SYBSPS161	Grill
A2	SWXSPS214	Cord, Speaker	SCREWS			SCREWS		
PACKING PARTS			N1	XTB4+10B	Screw, Supper Tweeter	PACKING PARTS		
P1	SPGSPS4	Carton Box	N2	XTNSS43+25D1	Screw, Supper Tweeter & Tweeter	P1	SPGSPS5	Carton Box
P2	SPSSPS001	Pad, Upper & Lower	N3	XTNSS50+25DS	Screw, Woofer	P2	SPSSPS001	Pad, Upper & Lower
P3	SPSSPS002	Pad, Middle	N4	XMS31+13FZ	Screw, Terminal	P3	SPSSPS003	Pad, Middle
P4	SPSSPS1019	Pad, Corner	ACCESSORIES			P4	SPSSPS1019	Pad, Corner
P5	SPSSPS1027-1	Pad, Sheet	A1	SOXSPS5286	Instructions Book	P5	SPSSPS1027-1	Pad, Sheet
P6	SPHSPS001	Sheet	A2	SWXSPS214	Cord, Speaker	P6	SPHSPS001	Sheet
P7	SPHSPS003	Sheet	PACKING PARTS			P7	SPHSPS003	Sheet