

# Service Manual

Hi-Fi Speaker System

## SB-3410 (K)

[E], [EB], [EH], [Ei]  
[EF], [EK], [EG]



## SB-3430 (K)

[E], [EB], [EH], [Ei]  
[EF], [EK], [EG]



## SB-3450 (K)

[E], [EB], [EH], [Ei]  
[EF], [EK], [EG]



### Areas

\* The colors of the model include wood and black.  
\* The black type and rose wood type model is provided with (K) in the Service Manual.

\* [E] is available in Scandinavia and Switzerland. \* [EH] is available in Holland.  
\* [EK] is available in United Kingdom. \* [Ei] is available in Italy.  
\* [EF] is available in France. \* [EG] is available in Germany.  
\* [EB] is available in Belgium.

## Specifications (Specifications are subject to change without notice for further improvement.)

**Type:** 2 way 2 speaker system  
**Speakers:** Woofer: 20 cm, cone type  
Tweeter: 5.5 cm, cone type

**Impedance:** 8 ohms  
**Input Power:** 100 W, Music  
50 W, DIN

**Output Sound**  
**Pressure Level:** 93 dB/W (1.0 m)  
**Crossover Frequency:** 4,000 Hz.  
**Frequency Range:** 70 Hz ~ 20 kHz ( - 10 dB)  
50 Hz ~ 25 kHz ( - 16 dB)  
**Dimensions:** 26.1 (W) x 48.8 (H) x 22.1 (D) cm  
**Weight:** 4.8 kg

## TECHNISCHE DATEN

(Spezifikationen können infolge von Verbesserungen ohne Ankündigung geändert werden).

**Typ:** 2-Weg-System mit 2 Lautsprechern  
**Lautsprecher:** Tieftonlautsprecher: 20 cm, Konustyp  
Hochtוןlautsprecher: 5.5 cm, Konustyp

**Impedanz:** 8 Ohms  
**Belastbarkeit:** 100 Watt Musik  
50 Watt DIN

**Abgegebener Schalldruckpegel:** 93 dB/W (in 1.0 m Abstand)

**Überschneidungsfrequenz:** 4.000 Hz  
**Frequenzbereich:** 70 Hz ~ 20 kHz ( - 10 dB)  
50 Hz ~ 25 kHz ( - 16 dB)

**Abmessungen:** 26.1 (B) x 48.8 (H) x 22.1 (T) cm  
**Gewicht:** 4,8 kg

## CARACTERISTIQUES

(Sujet à changement sans préavis).

**Type:** 2 voies, 2 haut-parleurs  
**Haut-parleurs:** graves: 20 cm, type à cône  
aigus: 5.5 cm, type à cône

**Impédance:** 8 ohms  
**Entrée maximale:** 100 watts, musique  
50 watts, DIN

**Niveau de pression sonore de sortie:** 93 dB/W (1.0 m)

**Fréquence de commutation:** 4.000 Hz  
**Gamme de fréquences:** 70 Hz ~ 20 kHz ( - 10 dB)  
50 Hz ~ 25 kHz ( - 16 dB)

**Dimensions:** 26.1 (l) x 48.8 (H) x 22.1 (P) cm  
**Poids:** 4,8 kg

# Technics

Matsushita Electric Trading Co., Ltd.  
P.O. Box 288, Central Osaka Japan

**SB-3430/K****Specifications**

(Specifications are subject to change without notice for further improvement).

**Type:** 3 way 3 speaker system  
**Speakers:** Woofer: 20 cm, cone type  
 Tweeter: 5.5 cm, cone type  
 Super Tweeter:  
 8 ohms  
**Impedance:**  
**Input Power:** 100 W, Music  
 50 W, DIN

**Output Sound**  
**Pressure Level:** 90 dB/W (1.0 m)  
**Crossover Frequency:** 4,000 Hz, 10,000 Hz  
**Frequency Range:** 62 Hz ~ 25 kHz (-10 dB)  
 48 Hz ~ 30 kHz (-16 dB)  
**Dimensions:** 26.1 (W) x 51.5 (H) x 22.1 (D) cm  
**Weight:** 5.8 kg

**TECHNISCHE DATEN**

(Spezifikationen können infolge von Verbesserungen ohne Ankündigung geändert werden).

**Typ:** 3-Weg-System mit 3 Lautsprechern  
**Lautsprecher:** Tieftonlautsprecher: 20 cm, Konustyp  
 Hochtonlautsprecher: 5.5 cm, Konustyp  
 Ultrahochtonlautsprecher:  
**Impedanz:** 8 Ohms  
**Belastbarkeit:** 100 Watt Musik  
 50 Watt DIN  
**Abgegebener Schalldruckpegel:** 90 dB/W (in 1.0 m Abstand)  
**Überschneidungsfrequenz:** 4.000 Hz, 10.000 Hz  
**Frequenzbereich:** 62 Hz ~ 25 kHz (-10 dB)  
 48 Hz ~ 30 kHz (-16 dB)  
**Abmessungen:** 26.1 (B) x 51.5 (H) x 22.1 (T) cm  
**Gewicht:** 5,8 kg

**CARACTERISTIQUES**

(Sujet à changement sans préavis).

**Type:** 3 voies, 3 haut-parleurs  
**Haut-parleurs:** graves: 20 cm, type à cône  
 aigus: 5.5 cm, type à cône  
 "Super haut-parleur" aigu:  
**Impédance:** 8 ohms  
**Entrée maximale:** 100 watts, musique  
 50 watts, DIN  
**Niveau de pression sonore de sortie:** 90 dB/W (1.0 m)  
**Fréquence de commutation:** 4.000 Hz, 10.000 Hz  
**Gamme de fréquences:** 62 Hz ~ 25 kHz (-10 dB)  
 48 Hz ~ 30 kHz (-16 dB)  
**Dimensions:** 26.1 (l) x 51.5 (H) x 22.1 (P) cm  
**Poids:** 5,8 kg

**SB-3450/K****Specifications**

(Specifications are subject to change without notice for further improvement).

**Type:** 3 way 3 speaker system  
**Speakers:** Woofer: 25 cm, cone type  
 Tweeter: 5.5 cm, cone type  
 Super Tweeter:  
 8 ohms  
**Impedance:**  
**Input Power:** 120 W, Music  
 60 W, DIN

**Output Sound**  
**Pressure Level:** 90 dB/W (1.0 m)  
**Crossover Frequency:** 2,600 Hz, 10,000 Hz  
**Frequency Range:** 60 Hz ~ 25 kHz (-10 dB)  
 46 Hz ~ 30 kHz (-16 dB)  
**Dimensions:** 29.2 (W) x 55.5 (H) x 22.1 (D) cm  
**Weight:** 6.2 kg

**TECHNISCHE DATEN**

(Spezifikationen können infolge von Verbesserungen ohne Ankündigung geändert werden).

**Typ:** 3-Weg-System mit 3 Lautsprechern  
**Lautsprecher:** Tieftonlautsprecher: 25 cm, Konustyp  
 Hochtonlautsprecher: 5.5 cm, Konustyp  
 Ultrahochtonlautsprecher:  
**Impedanz:** 8 Ohms  
**Belastbarkeit:** 120 Watt Musik  
 60 Watt DIN  
**Abgegebener Schalldruckpegel:** 90 dB/W (in 1.0 m Abstand)  
**Überschneidungsfrequenz:** 4.500 Hz, 10.000 Hz  
**Frequenzbereich:** 60 Hz ~ 25 kHz (-10 dB)  
 46 Hz ~ 30 kHz (-16 dB)  
**Abmessungen:** 29.2 (B) x 55.5 (H) x 22.1 (T) cm  
**Gewicht:** 6,2 kg

**CARACTERISTIQUES**

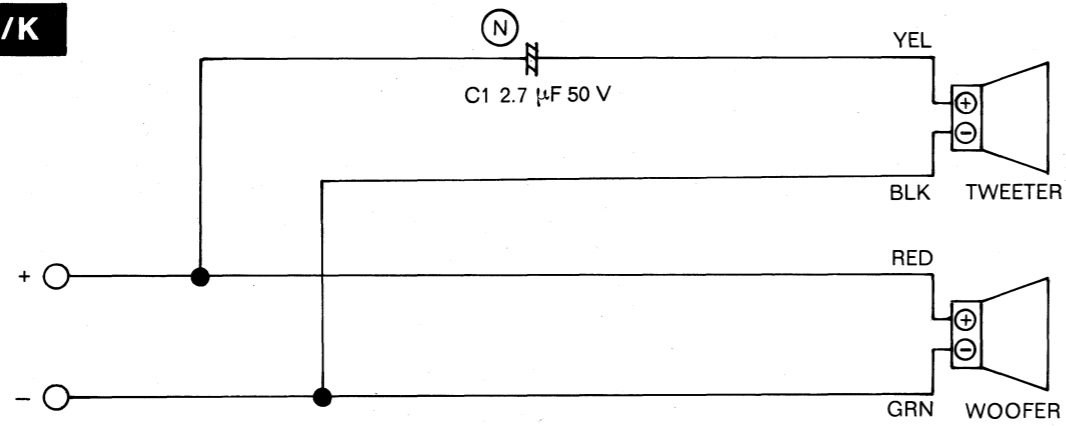
(Sujet à changement sans préavis).

**Type:** 3 voies, 3 haut-parleurs  
**Haut-parleurs:** graves: 25 cm, type à cône  
 aigus: 5.5 cm, type à cône  
 "Super haut-parleur" aigu:  
**Impédance:** 8 ohms  
**Entrée maximale:** 120 watts, musique  
 60 watts, DIN  
**Niveau de pression sonore de sortie:** 90 dB/W (1.0 m)  
**Fréquence de commutation:** 4.500 Hz, 10.000 Hz  
**Gamme de fréquences:** 60 Hz ~ 25 kHz (-10 dB)  
 46 Hz ~ 30 kHz (-16 dB)  
**Dimensions:** 29.2 (l) x 55.5 (H) x 22.1 (P) cm  
**Poids:** 6,2 kg

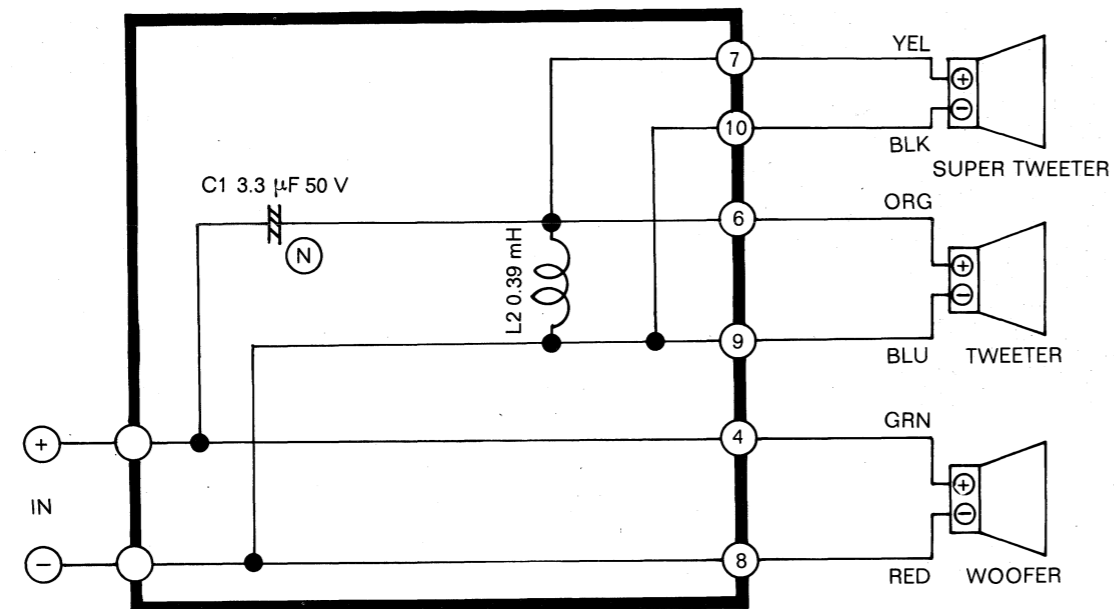
## ■ SCHEMATIC DIAGRAM

(This schematic diagram may be modified at any time with the development of new technology).

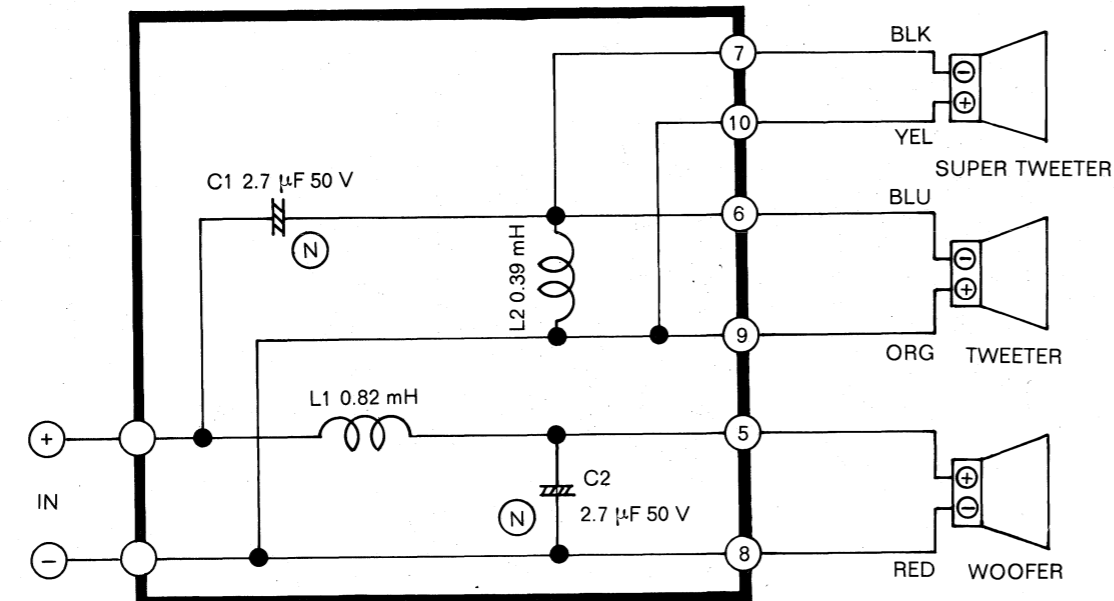
### SB-3410/K



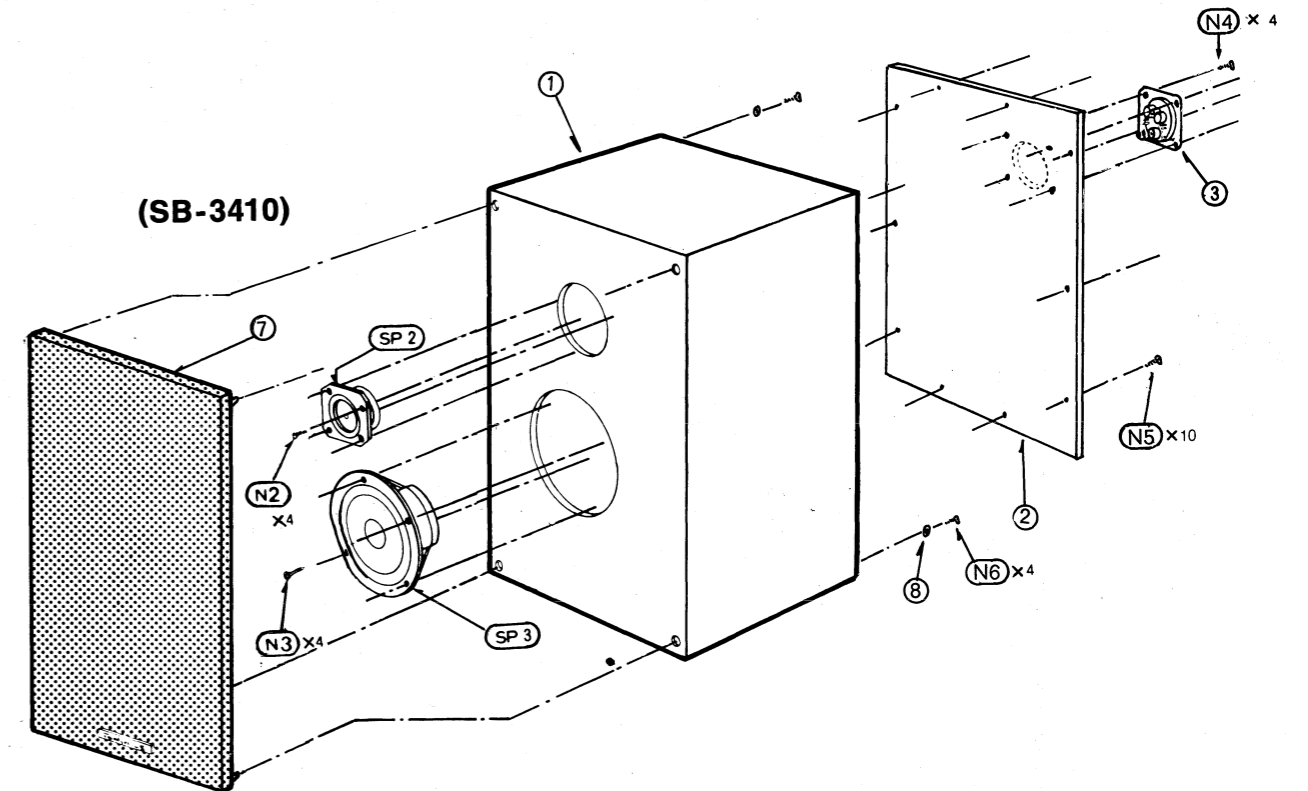
### SB-3430/K



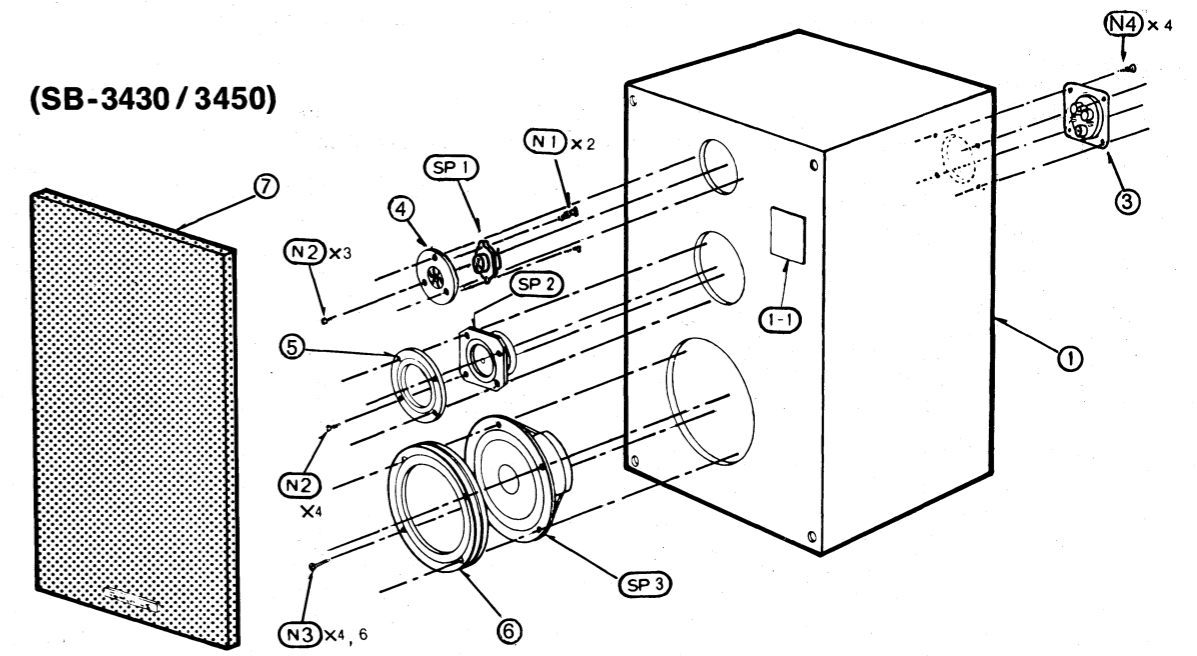
### SB-3450/K



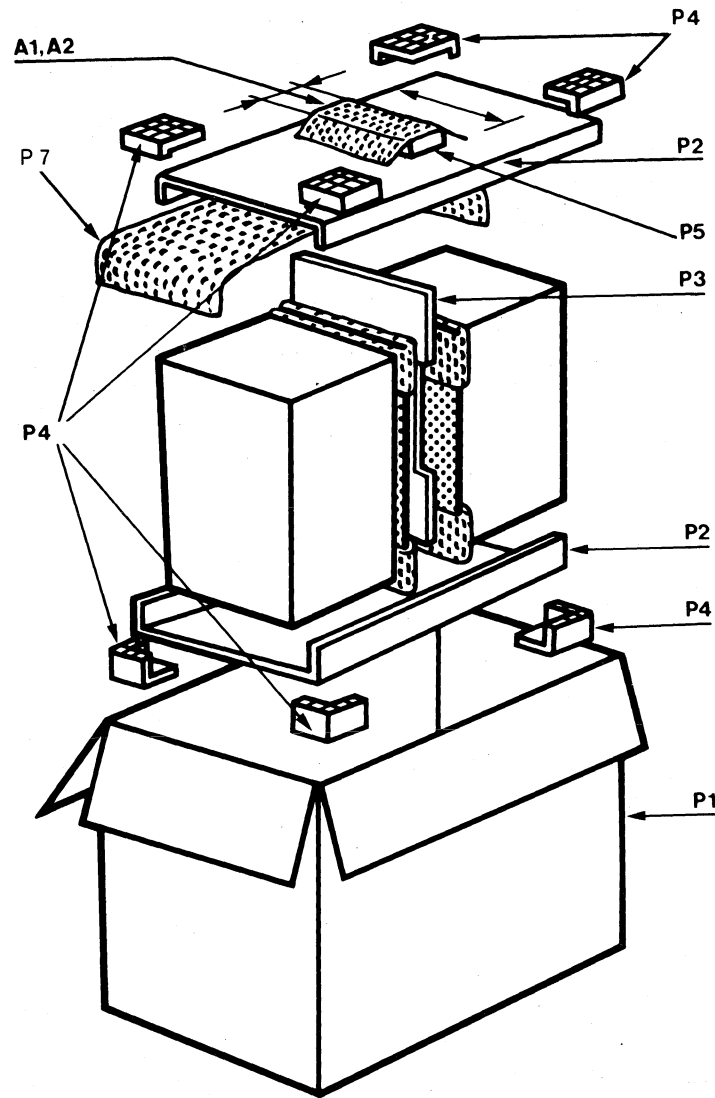
## ■ EXPLODED VIEW



### (SB-3430 / 3450)

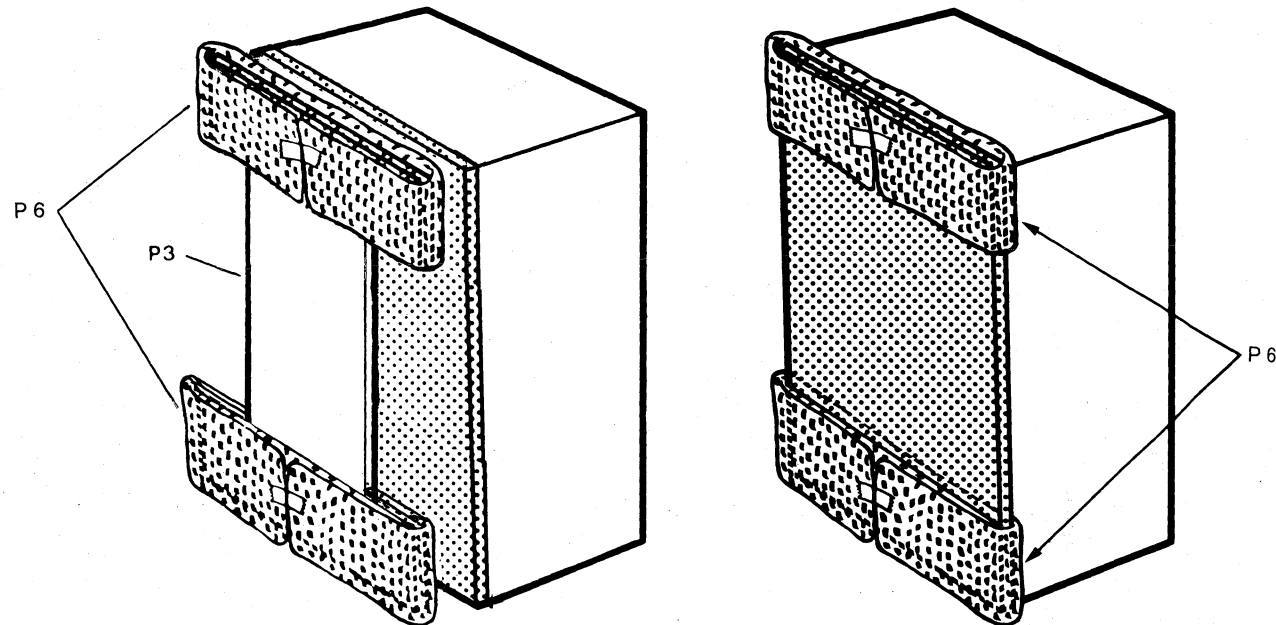


## PACKINGS



(SB-3410)

(SB-3430 / 3450)



## REPLACEMENT PARTS LIST

Notes: 1. Part numbers are indicated on most mechanical parts. Please use this part number for parts orders.

2. -marked parts are used for black type only, while O-marked parts are for wood type only.  
3. Bracketed indications in Ref. No. columns specify the area. Parts without these indications can be used for all areas.

### SB-3410/K

Ref. No.	Part No.	Part Name & Description
<b>SPEAKER</b>		
SP2	EAS65PH60SJ-T	Speaker, Tweeter
SP3	EAS20PL235SA	Speaker, Woofer
<b>CAPACITOR</b>		
C1	ECEA50Y2R7K	Non-Polar Electrolytic, 2,7 µF, 50 V
<b>CABINET PARTS</b>		
1 [EK] only	SKASPB3410KEK	Cabinet (Rose Wood Type)
1 [Other Area]	SKASPB3410KE	Cabinet (Black Type)
2	SKUSPS30	Rear board
3	SJFSPS5207	Terminal Ass'y, Input
7	SYBSPS96-2	Grill
8	XWE4F16	Washer
<b>SCREWS</b>		
N2	XTNSS43+25D1	Screw, Tweeter

Ref. No.	Part No.	Part Name & Description
N3	XTNSS50+25DS	Screw, Woofer
N4	XMS31+D13FZ	Screw, Terminal
N5	XMS31+D25FZ	Screw, Rear Board
N6	XTB4+13B	Screw, Grill
<b>ACCESSORIES</b>		
A1	SOXSPS5287	Instructions Book
A2	SWXSPS214	Cord, Speaker
<b>PACKING PARTS</b>		
P1	SPGSPS4	Carton Box
P2	SPSSPS001	Pad, Upper & Lower
P3	SPSSPS002	Pad, Middle
P4	SPSSPS1019	Pad, Corner
P5	SPSSPS1027-1	Pad, Sheet
P6	SPHSPS001	Sheet
P7	SPHSPS003	Sheet

### SB-3430/K

Ref. No.	Part No.	Part Name & Description
<b>SPEAKER</b>		
SP1	EAS3FP16A	Speaker, Supper Tweeter
SP2	EAS65PH60SJ-T	Speaker, Tweeter
SP3	EAS20PL235S	Speaker, Woofer
<b>COILS</b>		
L1	SLCSC391KU	Coil, Choke 0,39 mH
<b>CAPACITOR</b>		
C1	ECEA50Y3R3K	Non-Polar Electrolytic, 3,3 µF, 50 V
<b>CABINET PARTS</b>		
1 [EK] only	SKASPB3430KEK	Cabinet (Rose Wood Type)
1 [Other Area]	SKASPB3430KE	Cabinet (Black Type)
1-1	SGKS209	Name Plate
3	SJFSPS5207	Terminal Ass'y, Input
4	SGHSPS1005	Ornament, Supper Tweeter
5	SGEPS106-1	Ornament, Tweeter
6	SGHSPS1007	Ornament, Woofer
7	SYBSPS89	Grill

Ref. No.	Part No.	Part Name & Description
<b>SCREWS</b>		
N1	XTB4+10B	Screw, Supper Tweeter
N2	XTNSS43+25D1	Screw, Supper Tweeter & Tweeter
N3	XTNSS50+25DS	Screw, Woofer
N4	XMS31+13FZ	Screw, Terminal
<b>ACCESSORIES</b>		
A1	SOXSPS5286	Instructions Book
A2	SWXSPS214	Cord, Speaker
<b>PACKING PARTS</b>		
P1	SPGSPS5	Carton Box
P2	SPSSPS001	Pad, Upper & Lower
P3	SPSSPS003	Pad, Middle
P4	SPSSPS1019	Pad, Corner
P5	SPSSPS1027-1	Pad, Sheet
P6	SPHSPS001	Sheet
P7	SPHSPS003	Sheet

### SB-3450/K

Ref. No.	Part No.	Part Name & Description
<b>SPEAKER</b>		
SP1	EAS3FP16A	Speaker, Supper Tweeter
SP2	EAS65PH60SJ-T	Speaker, Tweeter
SP3	EAS25PL167S	Speaker, Woofer
<b>COILS</b>		
L1	SLCSC821KU	Coil, Choke 0,82 mH
L2	SLCSC391KU	Coil, Choke 0,39 mH
<b>CAPACITOR</b>		
C1, C2	ECEA50Y2R7K	Non-Polar Electrolytic, 2,7 µF, 50 V
<b>CABINET PARTS</b>		
1 [EK] only	SKBSPB3450KEK	Cabinet (Rose Wood Type)
1 [Other Area]	SKBSPB3450KE	Cabinet (Black Type)
1-1	SGKS208	Name Plate
3	SJFSPS5207	Terminal Ass'y, Input
4	SGHSPS1005	Ornament, Supper Tweeter
5	SGHSPS106-1	Ornament, Tweeter
6	SGHSPS1008	Ornament, Woofer
7	SYBSPS161	Grill

Ref. No.	Part No.	Part Name & Description
<b>SCREWS</b>		
N1	XTB4+10B	Screw, Supper Tweeter
N2	XTNSS43+25D1	Screw, Supper Tweeter & Tweeter
N3	XTNSS50+25DS	Screw, Woofer
N4	XMS31+13FZ	Screw, Terminal
<b>ACCESSORIES</b>		
A1	SOXSPS5286	Instructions Book
A2	SWXSPS214	Cord, Speaker
<b>PACKING PARTS</b>		
P1	SPGSPS6	Carton Box
P2	SPGSPS004	Pad, Upper & Lower
P3	SPGSPS005	Pad, Middle
P4	SPSSPS1019	Pad, Corner
P5	SPSSPS1027-1	Pad, Sheet
P6	SPHSPS001	Sheet
P7	SPHSPS003	Sheet