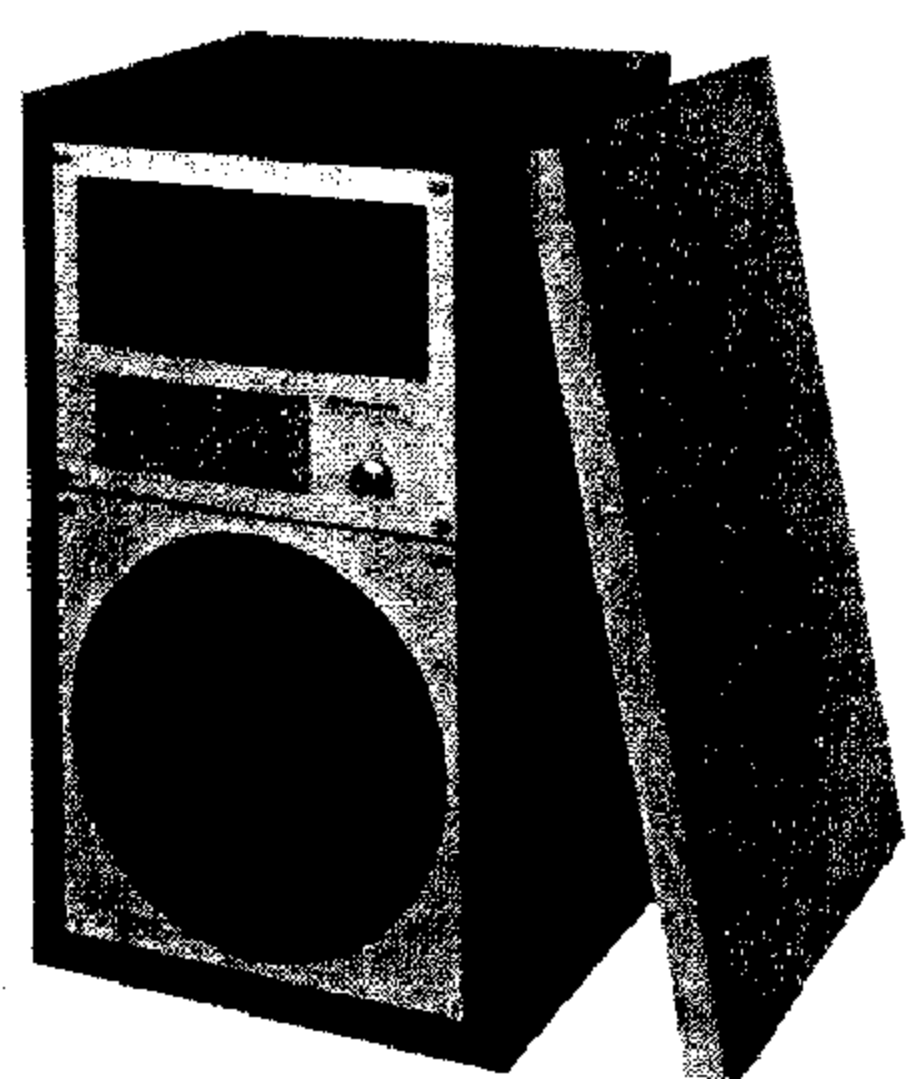
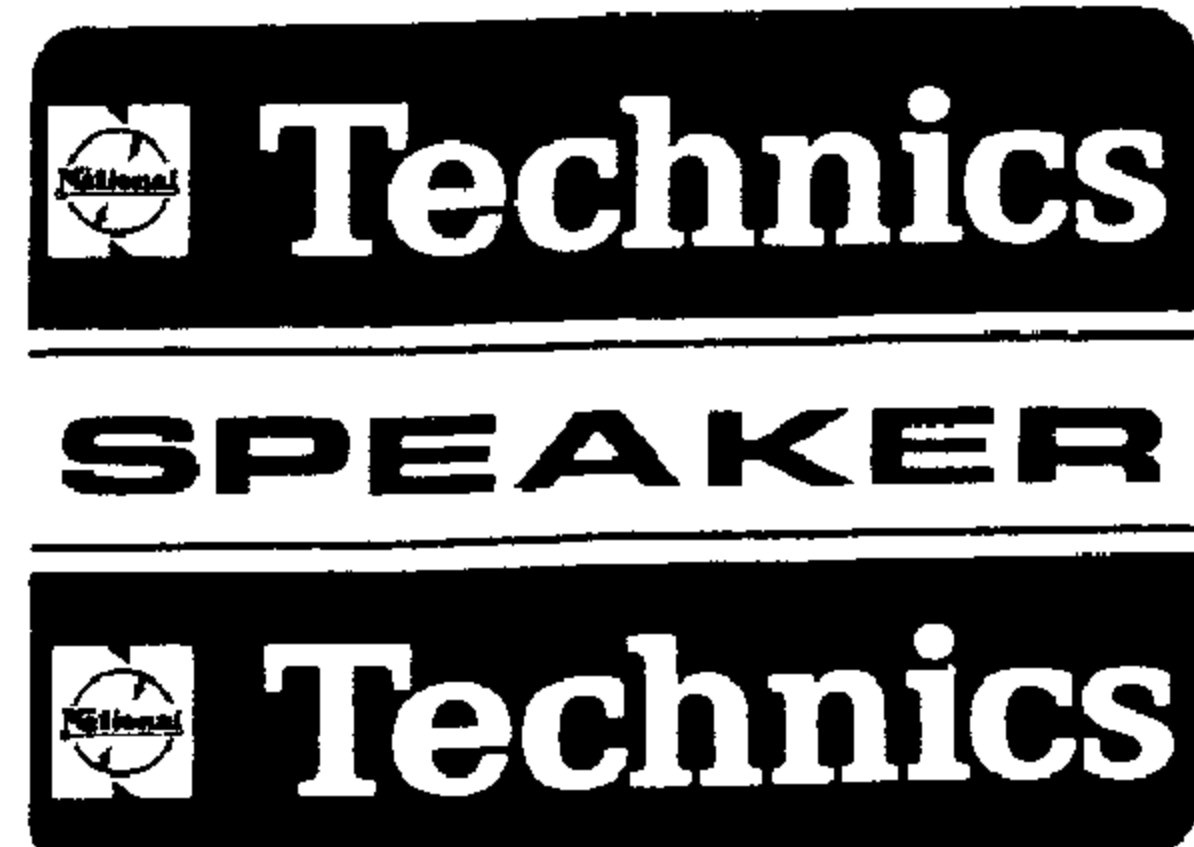


Service Manual



SB-440



SB-660

Hi-Fi SPEAKER SYSTEM MODEL SB-440, 660

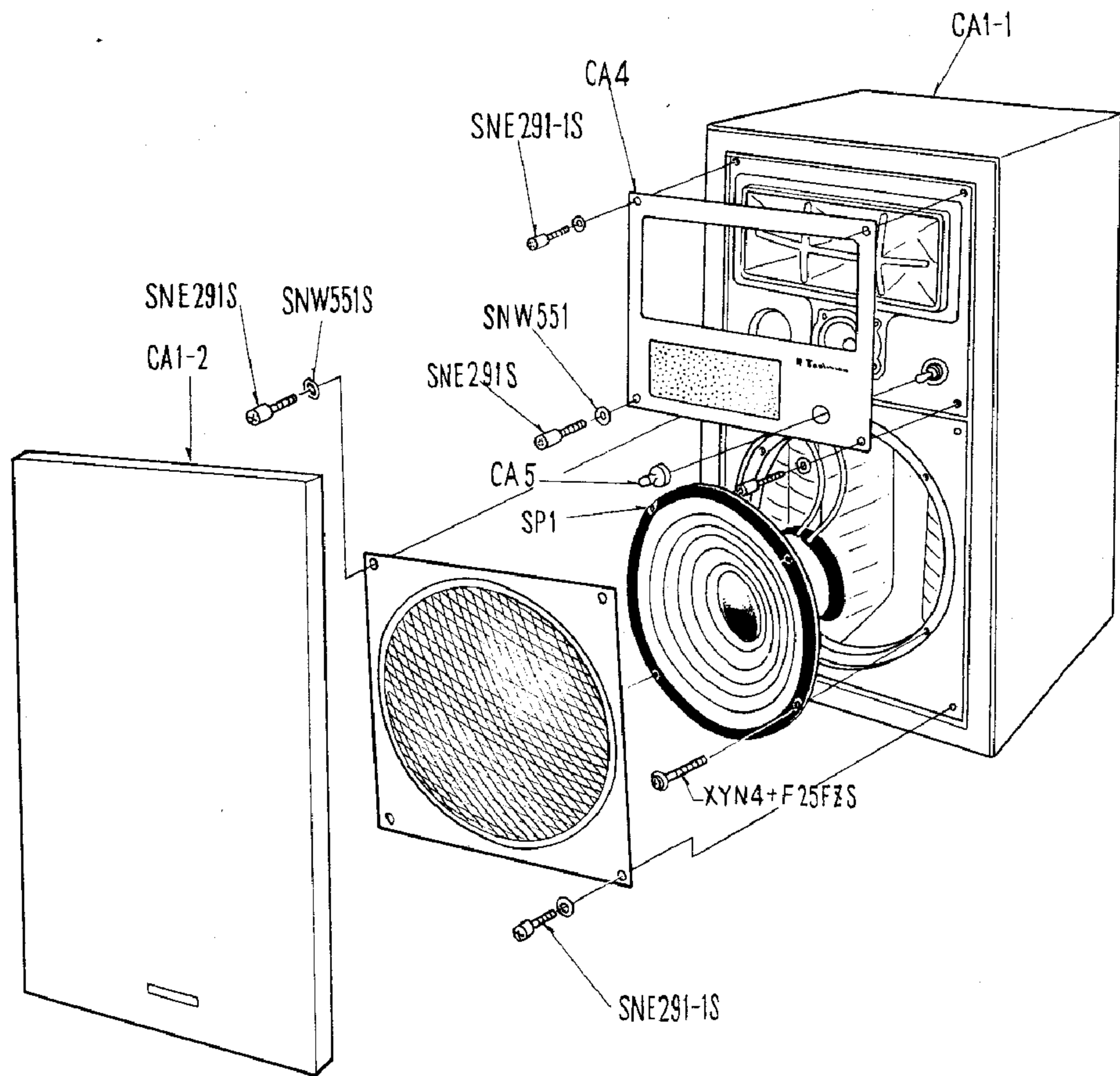
SPECIFICATIONS

| MODEL | SB-440 | SB-660 |
|------------------------|---|--|
| ITM | | |
| System : | 3-way 3-speakers | 3-way 3-speakers |
| Speaker : | | |
| Woofer | 25cm (10") High Compliance | 30cm (12") High Compliance |
| Midrange | 25cm (10") Multi Cell' Horn | 25cm (10") Multi Cell' Horn |
| Tweeter | 6.5cm (2 3/8") Cone | 5cm (2") Horn |
| Impedance : | 8Ω | 8Ω |
| Maximum Input: : | 50 watt | 70 watt |
| Cross Over Frequency : | 1.5kHz, 7kHz | 1.5kHz, 7kHz |
| Sound Pressure Level : | 93 dB/watt | 95 dB/watt |
| Frequency Response : | 35Hz ~ 20kHz | 30kHz ~ 20kHz |
| Dimensions (W×H×D): | 358mm×595mm×317mm (14 1/10" × 23 3/8" × 12 1/2") | 400mm×660mm×317mm (15 3/4" × 26" × 12 1/2") |
| Weight : | 17.4kg (38.4 lbs.) | 22.5kg (49.5 lbs.) |

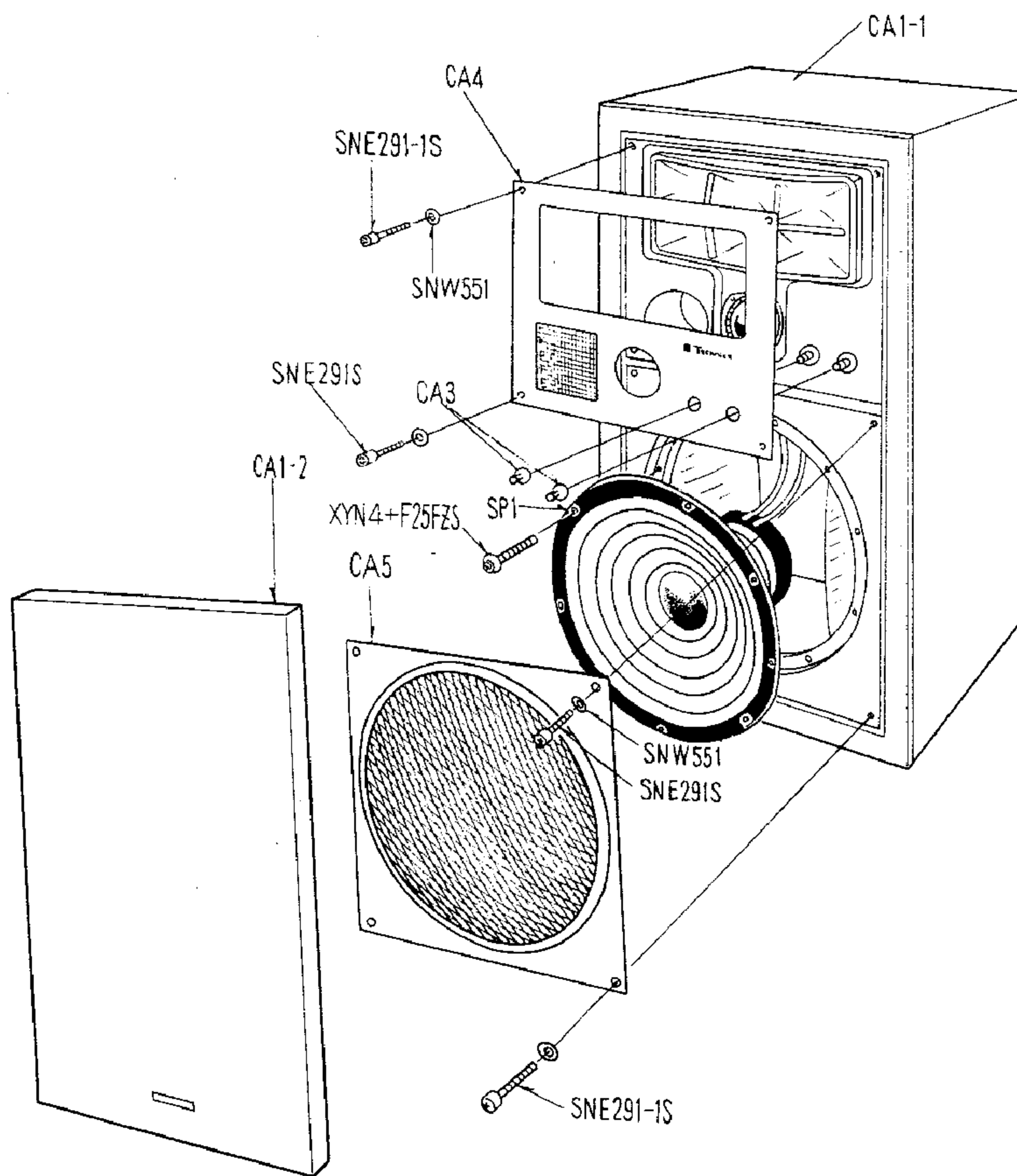
MATSUSHITA ELECTRIC
MATSUSHITA ELECTRIC TRADING CO., LTD.
P. O. Box 288, Central Osaka, Japan

LOCATION OF PARTS

MODEL SB-440

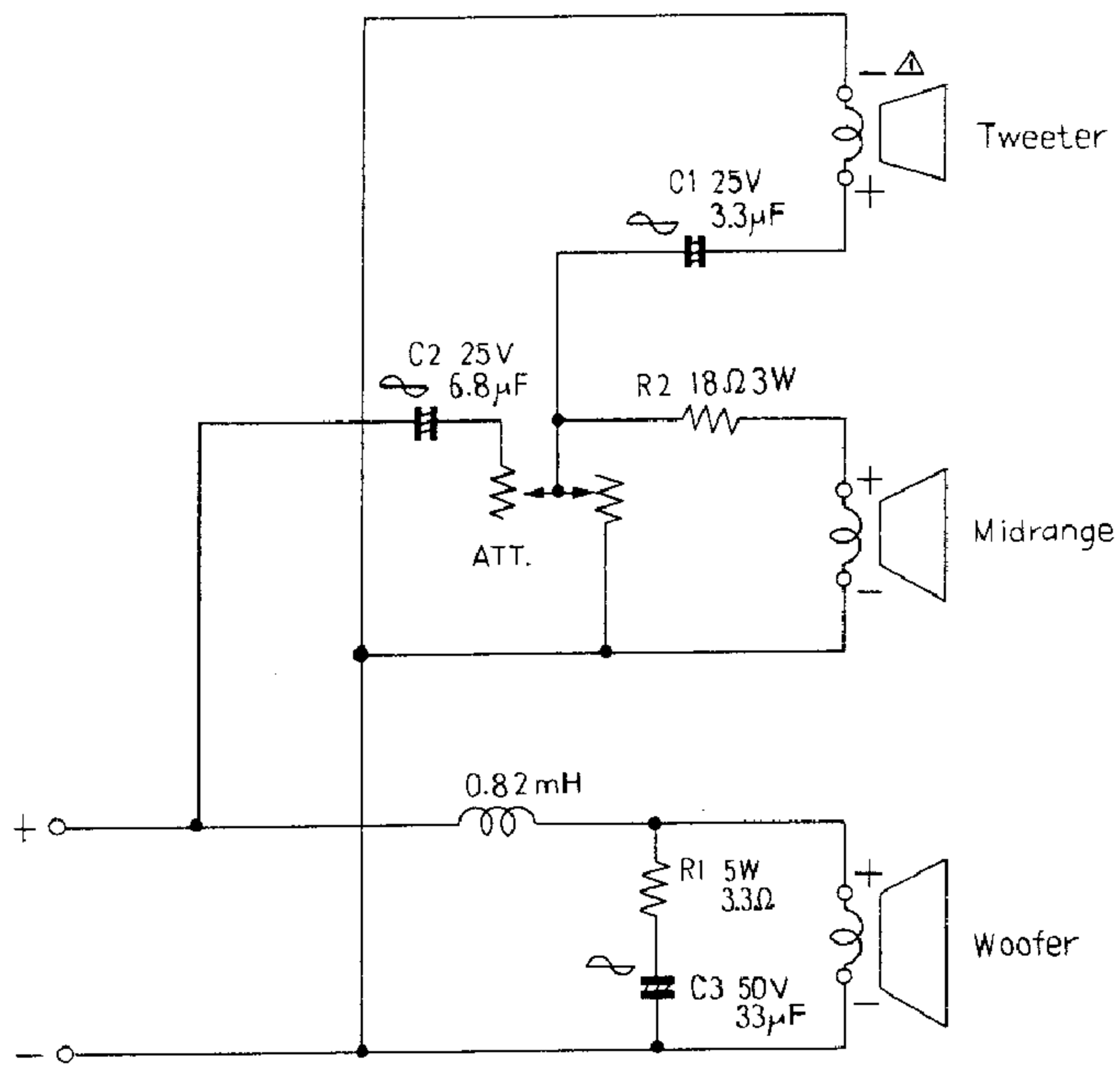


MODEL SB-660

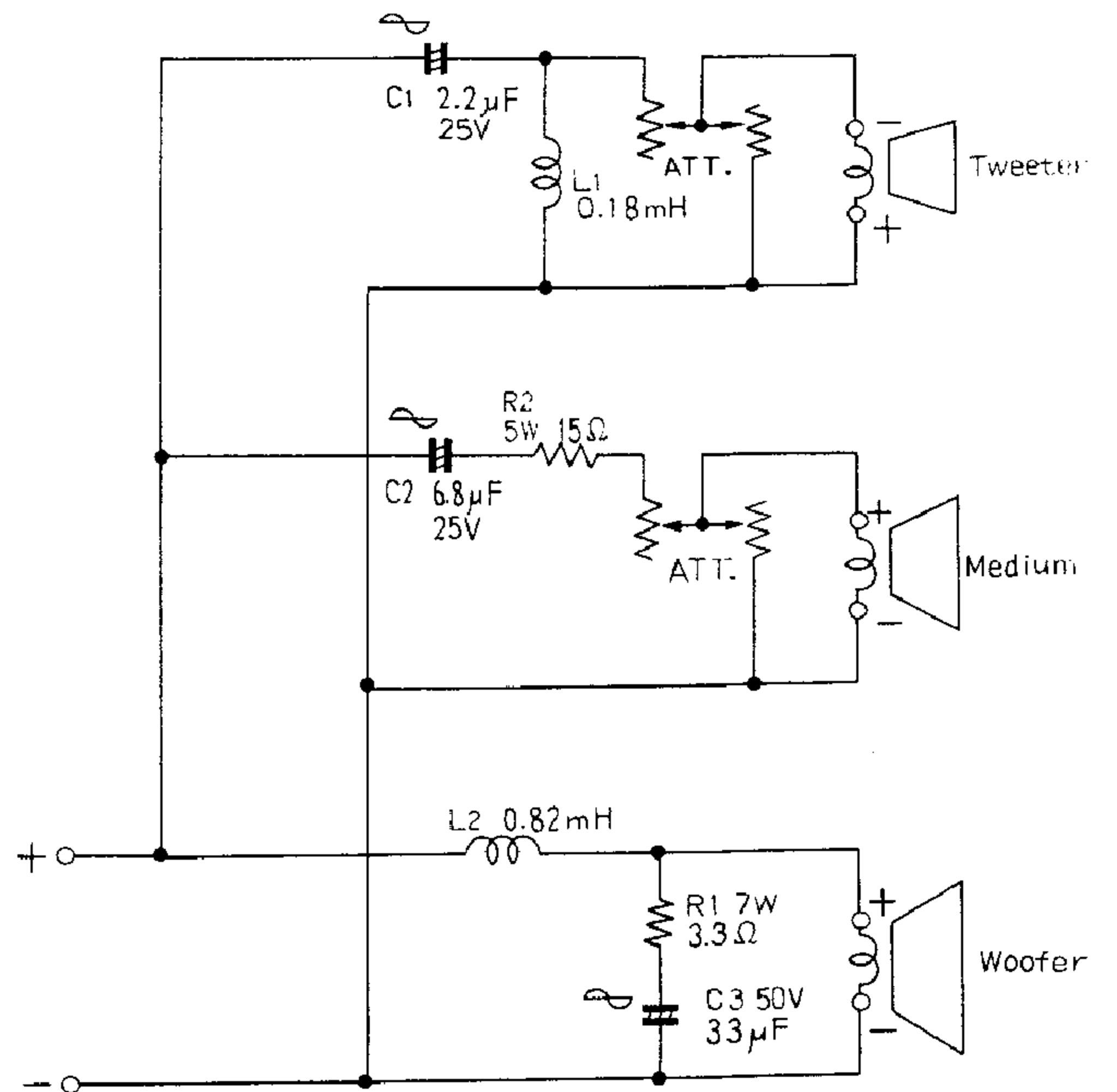


SCHEMATIC DIAGRAM

MODEL SB-440

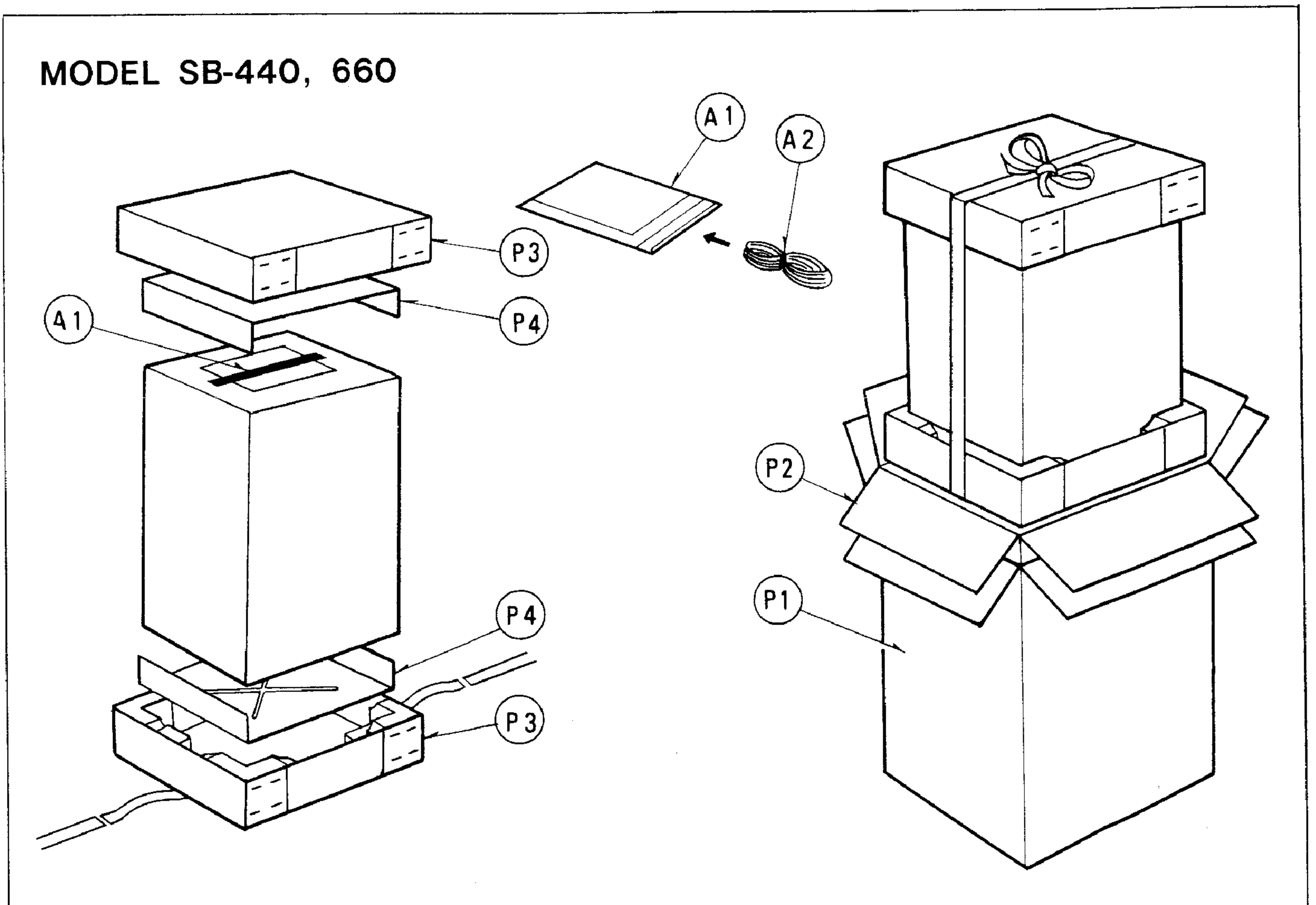


MODEL SB-660



COMPONENT PACKING PROCEDURE

MODEL SB-440, 660



REPLACEMENT PARTS LIST

NOTES:

1. Part numbers indicated on most mechanical parts.
Please use Part number for parts orders.

| Ref. No. | Part No. | Description | Per Set (Pcs.) | Remarks | Ref. No. | Part No. | Description | Per Set (Pcs.) | Remarks |
|---------------|-------------|-----------------------------------|----------------|---------|---------------|------------|-----------------------------------|----------------|---------|
| SB-440 | | | | | SB-660 | | | | |
| SP1 | EAS25PL45S | Woofers, Speaker | 1 | | SP1 | EAS30PL39S | Woofers, Speaker | 1 | |
| SP1 | EAS25HD30S | Medium Driver, Speaker | 1 | | SP2 | EAS25HD30S | Medium Driver, Speaker | 1 | |
| SP3 | EAS65PH05SA | Tweeter, Speaker | 1 | | SP3 | EAS5HH40S | Tweeter, Speaker | 1 | |
| CH1 | SRE9 | Attenuator | 1 | | CH1 | SRE9 | Attenuator | 2 | |
| CH2 | SLCE821K | Choke Coil | 1 | | L1 | SLCE821K | Choke Coil | 1 | |
| C1 | ECEA25Y3R3 | Electrolytic 3.3 μ F, WV-25V | 1 | | L2 | SLCA181KU | Choke Coil | 1 | |
| C2 | ECEA25Y6R8 | Electrolytic 6.8 μ F, WV-25V | 1 | | C1 | ECEA25Y2R2 | Electrolytic 2.2 μ F, WV-25V | 1 | |
| C3 | ECEA50Y33 | Electrolytic 33 μ F, WV-50V | 1 | | C2 | ECEA25Y6R8 | Electrolytic 6.8 μ F, WV-25V | 1 | |
| R1 | ERX5ANJ3R3 | Metal Film Resistor 3.3 Ω | 1 | | C3 | ECEA50Y33 | Electrolytic 33 μ F, WV-50V | 1 | |
| R2 | ERX3ANJ180 | Metal Film Resistor 18 Ω | 1 | | R1 | ERX7ANJ3R3 | Metal Film Resistor 3.3 Ω | 1 | |
| CA1 | SKA6891 | Cabinet Ass'y (Not Available) | (1) | | R2 | ERX5ANJ150 | Metal Film Resistor 15 Ω | 1 | |
| CA1-1 | { SKA6890 | Cabinet | 1 | ○ | CA1 | SKA6911 | Cabinet Ass'y (Not Available) | (1) | |
| CA1-2 | { SYB391 | Net Ass'y | 1 | ○ | CA1-1 | { SKA6910 | Cabinet | 1 | ○ |
| CA1-3 | SYB391-2 | Net Ass'y (for European Military) | 1 | | CA1-2 | { SYB393 | Net Ass'y | 1 | ○ |
| CA2 | SGE281 | Horn | 1 | | CA1-3 | SYB393-2 | Net Ass'y (for European Military) | 1 | |
| CA3 | SGW5532 | Horn Panel | 1 | | CA2 | SGE281 | Horn Ass'y | 1 | ○ |
| CA4 | SGW5550 | Woofers Panel | 1 | ○ | CA3 | SBN455-1 | Knob | 2 | |
| CA5 | SBN455-1 | Knob | 1 | | CA4 | SGW5572 | Horn Panel | 1 | ○ |
| A1 | SQF827 | Printed Matter | 1 | ○ | CA5 | SGW5590 | Woofers Panel | 1 | |
| A2 | SJP2207 | Speakers Cord | 1 | | A1 | SQF829 | Printed Matter | 1 | ○ |
| P1 | SPG473 | Outside Packing Case | 1 | ○ | A2 | SJP2207 | Speakers Cord | 1 | |
| P2 | SPN4701 | Inside Packing Case | 1 | ○ | P1 | SPG475 | Outside Packing Case | 1 | ○ |
| P3 | SPN4703 | Pad, Top & Bottom | 2 | ○ | P2 | SPN4707 | Inside Packing Case | 1 | ○ |
| P4 | SPN4705 | Pad | 2 | ○ | P3 | SPN4709 | Pad, Top & Bottom | 2 | ○ |
| | | | | | P4 | SPN4711 | Pad | 2 | ○ |