

# Service Manual

## Speaker

### SB-5000/SB-6000



SB-5000

SB-6000

## ■ SPECIFICATIONS

### SB-5000

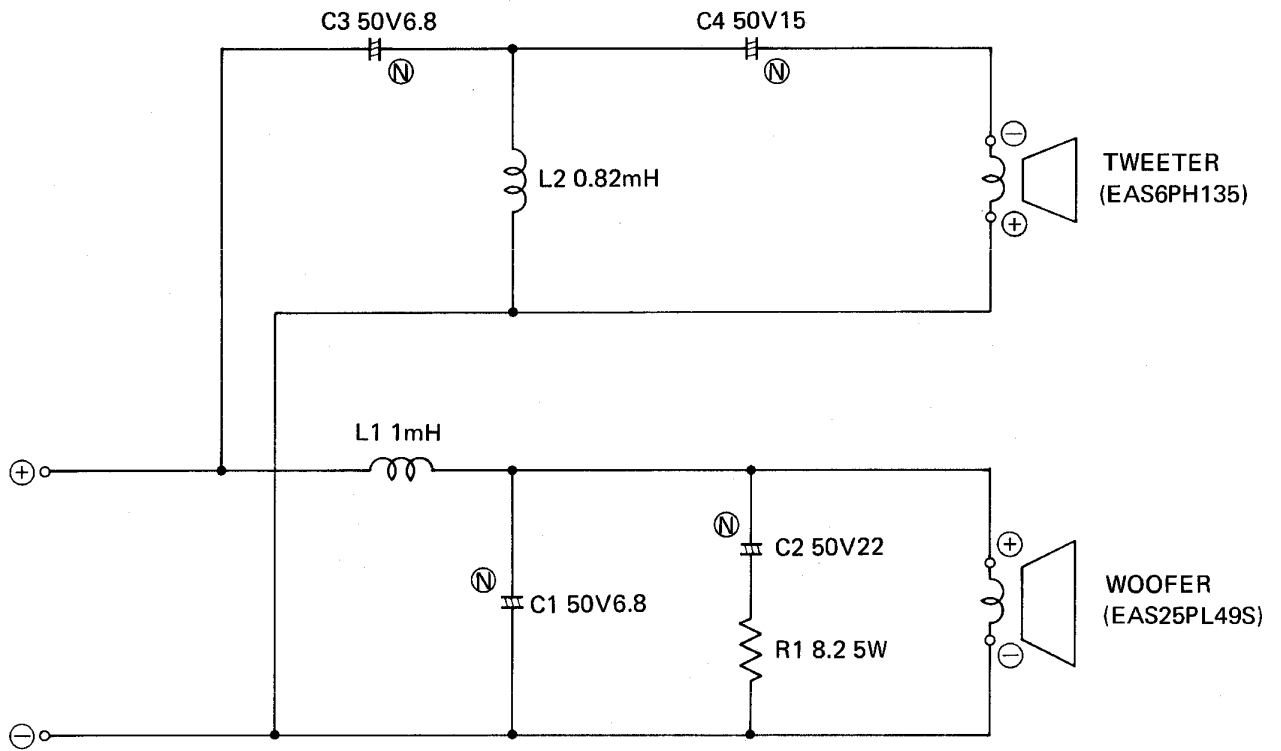
Type:	2-way, 2-speaker bass-reflex system
Speakers:	Woofer: 25cm (10") cone type Tweeter: 6cm (2-3/8") cone type
Impedance:	8 ohms
Peak input power:	75 watts
Output sound pressure level:	93.5 dB/w (at 1.0m)
Crossover frequency:	2000 Hz
Dimensions:	35.0 (W) x 71.7 (H) x 32.3 (D) cm 13-3/4" (W) x 28-1/4" (H) x 12-11/16" (D)
Weight:	16.0 kg (35.2 lbs)
Accessory:	Speaker cord 3 m ... 1

### SB-6000

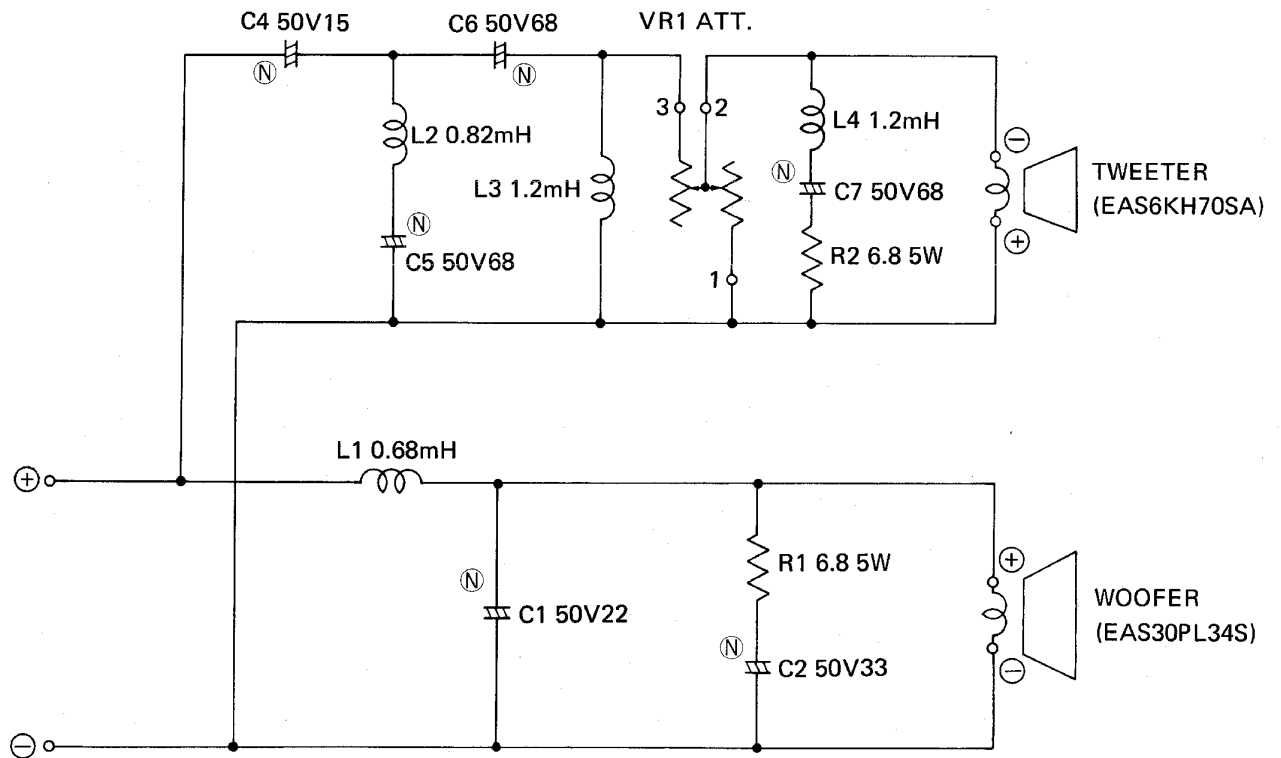
Type:	2-way, 2-speaker bass-reflex system
Speakers:	Woofer: 30 cm (12") cone type Tweeter: 3.2 cm (1-1/4") dome type
Impedance:	6 ohms
Peak input power:	100 watts
Output sound pressure level:	93 dB/w (at 1.0m)
Crossover frequency:	1500 Hz
Dimensions:	42.5 (W) x 84.6 (H) x 34.0 (D) cm 16-3/4" (W) x 33-5/16" (H) x 13-3/8" (D)
Weight:	28.0 kg (61.7 lbs)
Accessory:	Speaker cord 3m ... 1

# ■ SCHEMATIC DIAGRAM

**SB-5000**

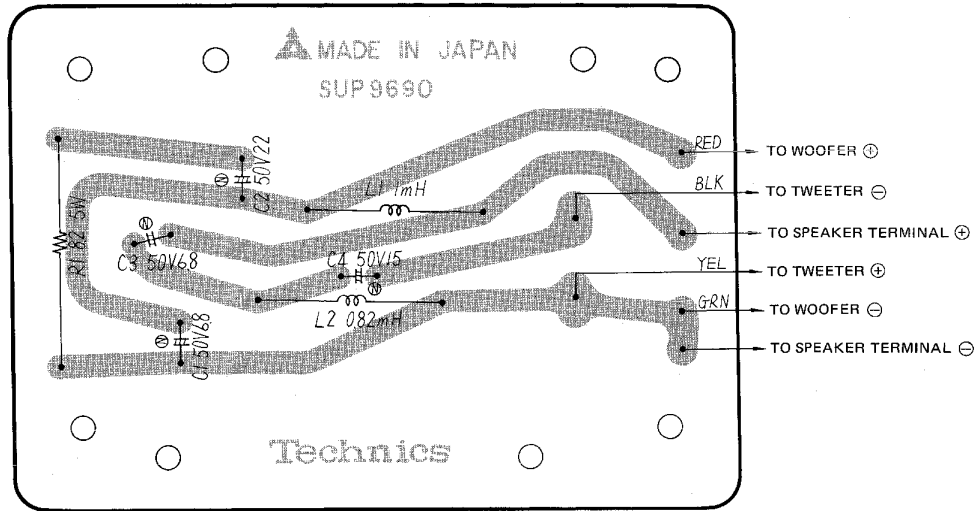


**SB-6000**

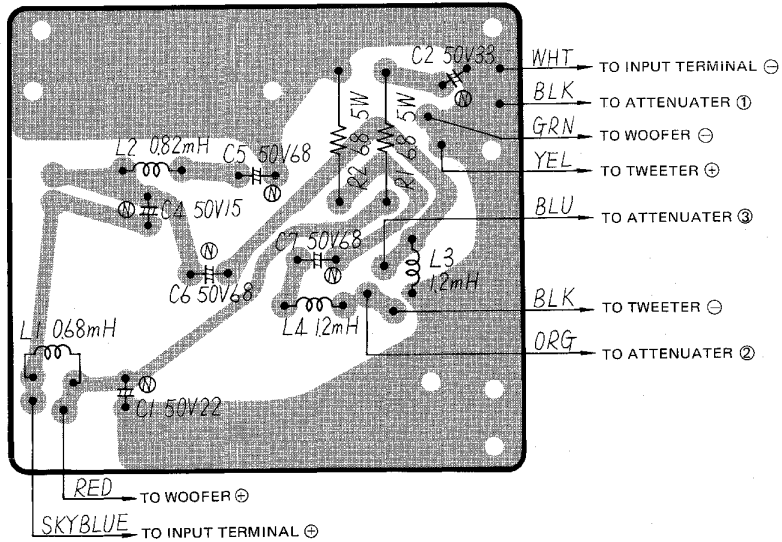


## ■ CIRCUIT BOARD

SB-5000

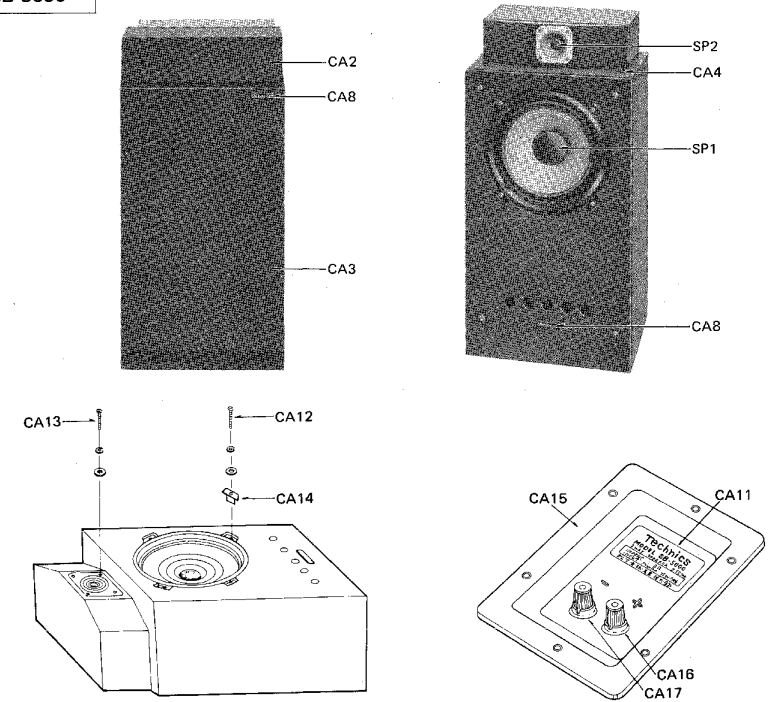


SB-6000

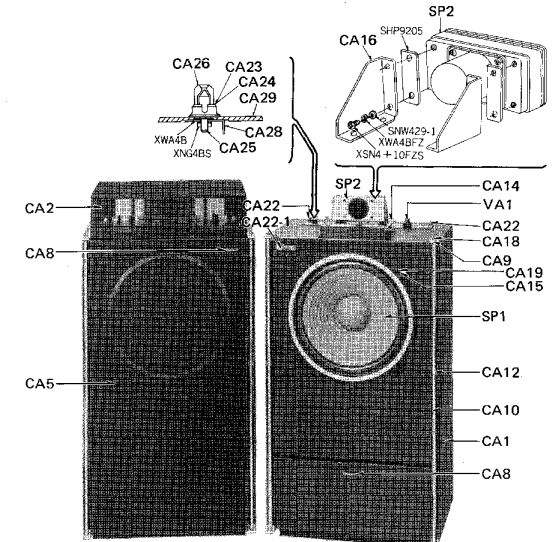


## ■ LOCATION OF PARTS

SB-5000

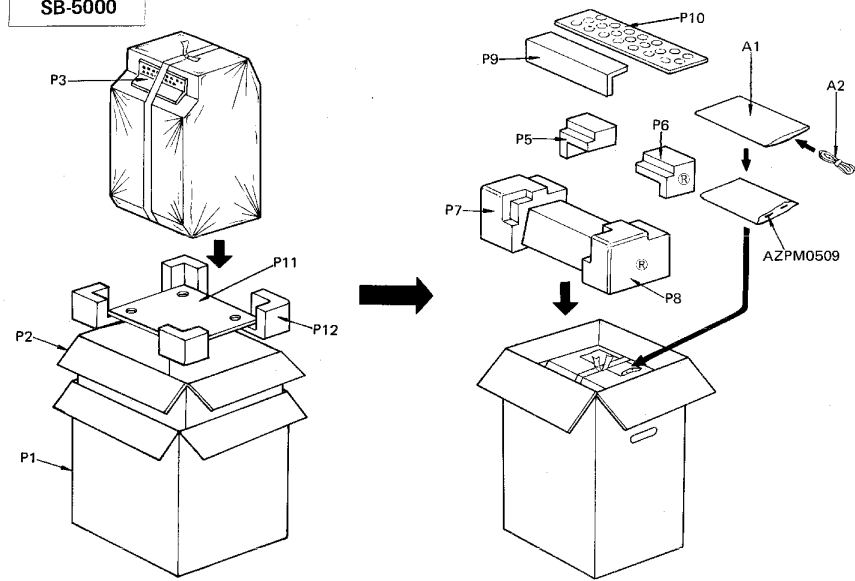


SB-6000

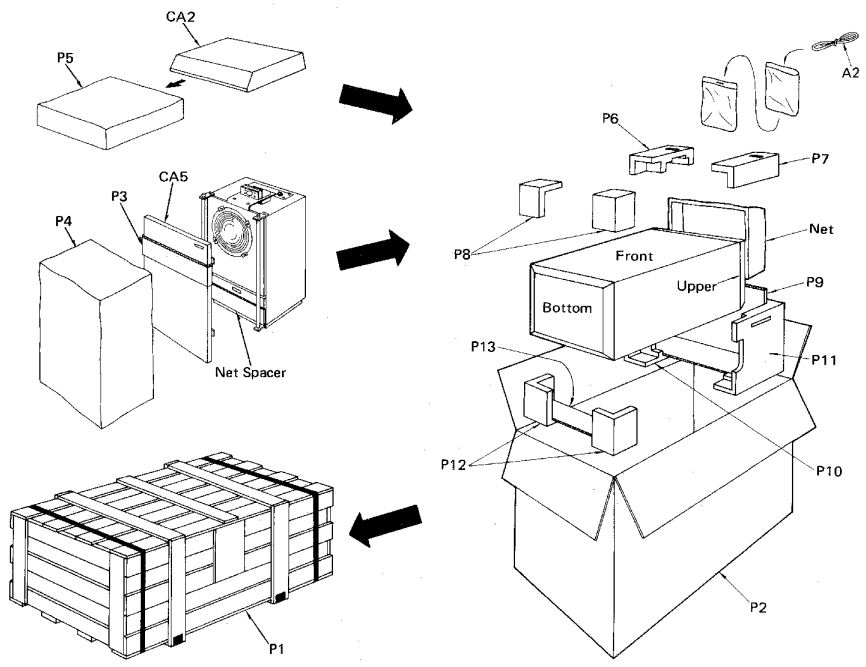


## COMPONENT PACKING PROCEDURE

### SB-5000



### SB-6000



## REMOVAL OF TWEETER (SB-6000, (MC)/SB-7000-(X), (MC))

If you separate the magnetism part from the vibration part at the front (Fig. 2), getting them back in the same position will not be possible and therefore weaken the performance.

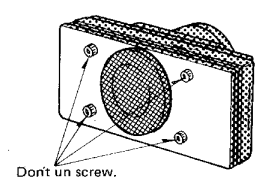


Fig. 1 Front of Tweeter

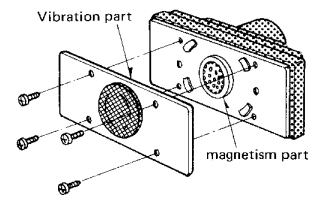
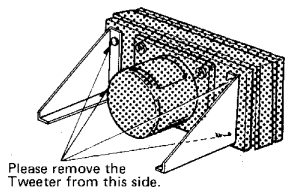


Fig. 2 Separated Tweeter



Please remove the Tweeter from this side.

Fig. 3 Back of Tweeter

## REPLACEMENT PART LIST

SB-5000									
Ref. No.	Part No.	Description	Per Set (Pcs.)	Remarks	Ref. No.	Part No.	Description	Per Set (Pcs.)	Remarks
SP1	EAS25PL49S	Woofer Speaker	1		CA14	SMN1371	Mounting Bracket, Woofer	4	
SP2	EAS6PH13S	Tweeter, Speaker	1		CA15	SWT253-2	Terminal Plate	1	
L1	SLCC102K	1.0mH, Coil	1		CA15	SWT253-3	Terminal Plate	1	SB-5000-(FE)
L2	SLCC821K	0.82mH, Coil	1		CA16	SGE103-2	Knob (Orange)	1	
C1, C3	ECEA50Y6R8	6.8μF, 50V, Electrolytic	2		CA17	SGE103	Knob (Black)	1	
C2	ECEA50Y22	22μF, 50V, Electrolytic	1		<b>ACCESSORY PARTS</b>				
C4	ECEA50Y15	15μF, 50V, Electrolytic	1		A1	SQF1207	Printed Matter	1	
R1	ERF5AK8R2	8.2Ω, 5W, Wire Wound Resistor	1		A1	SQF1231	Printed Matter	1	SB-5000-(FE)
CA1	SKA8036	Cabinet	1		A2	SWX177-1	Speaker Cord	1	
CA1	SKA8037	Cabinet	1	SB-5000-(FE)	<b>PACKING MATERIALS</b>				
CA2	SYB495	Grill, Upper	1		P1	SPG613	Outside Packing	1	SB-5000-(X)
CA2	SYB495-2	Grill, Upper	1	SB-5000-(XCM)	P1	SPG615	Outside Packing	1	SB-5000-(FE)
CA3	SYB481-2	Grill, Lower	1	SB-5000-(X, XG)	P1	SPG613-1	Outside Packing	1	SB-5000-(XCM, XG)
CA3	SYB481-3	Grill, Lower	1	SB-5000-(FE)	P2	SPN5123-2	Inside Packing	1	SB-5000-(X)
CA3	SYB481-4	Grill, Lower	1	SB-5000-(XCM)	P2	SPN5123-4	Inside Packing	1	SB-5000-(FE)
CA4	SHG1179-1	Rubber, Net Catch	2		P3	SPS239-1	Pad, Speaker	1	
CA5	SHR9099-1	Foot, Net	2		P5	SPS169	Left Pad	1	
CA6	SHR541-1	Net Catch	2		P6	SPS169-1	Right Pad	1	
CA7	SHG1245-2	Net Catch	4		P7	SPS167	Left Pad	1	
CA8	SGB411	Badge	2		P8	SPS167-1	Right Pad	1	
CA8	SGB489	Badge	2	SB-5000-(FE)	P9	SPS175	Upper, Pad	1	
CA9	SHG1301	Bushing	1		P10	SPS177-1	Top Pad	1	
CA10	SKX223	Foot	4		P11	SPS181	Upper board	1	
CA11	SGT12190	Plate	1		P12	SPS173	Pad, Corner	4	
CA11	SGT12210	Plate	4	SB-5000-(FE)					
CA12	XVE5B25FZS	Screw, Woofer	4						
CA13	XVE4B25FZS	Screw, Tweeter	4						

SB-6000									
Ref. No.	Part No.	Description	Per Set (Pcs.)	Remarks	Ref. No.	Part No.	Description	Per Set (Pcs.)	Remarks
SP1	EAS30PL34S	Woofer Speaker	1		CA19	XVE6B25FZ	Bolt, Woofer	4	
SP2	EAS6KH70SA	Tweeter Speaker	1		CA20	XVE5B40FZS	Bolt, Tweeter	4	
L1	SLCA681KU	0.68mH, Coil	1		CA21	SBSA3-2	Knob	1	
L2	SLCC821K	0.82mH, Coil	1		CA22	SHR541-1	Net Catch (Black)	2	
L3, 4	SLCC122K	1.2mH, Coil	2		CA22-1	SGK731	Label	1	
C1	ECEA50Y22	22μF, 50V, Electrolytic	1		CA23	SGE103	Terminal (Black)	1	
C2	ECEA50Y33	33μF, 50V, Electrolytic	1		CA24	SGE103-2	Terminal (Orange)	1	
C4	ECEA50Y15	15μF, 50V, Electrolytic	1		CA25	SNE271S	Terminal Screw	2	
C5, 6, 7	ECEA50Y68	68μF, 50V, Electrolytic	3		CA26	SNE273	Knob, Screw	2	
R1, 2	ERF5AK6R8	6.8Ω, 5W, Wire Wound Resistor	2		CA28	SJT727	Terminal	2	
VR1	EVMO1GF26Z80	Variable Resistor, Attenuator	1		CA29	SWT265-X	Board, Terminal	1	
CA1	SKA8073	Cabinet	1		<b>(PACKING MATERIALS)</b>				
CA2	SYB485	Grill, Upper	1	SB-6000-(X, XCM)	P1	SPG9005	Outside Packing Wooden	1	SB-6000-(X)
CA2	SYB485-1	Grill, Upper	1	SB-6000-(XGG, XGE)	P2	SPN5137-1	Inside Packing Case	1	
CA3	SHG1179-1	Rubber, Net Catch	2		P3	SPS259	Pad, Grill, Lower	1	
CA4	SHR9099-1	Rug, Net	2		P4	SPP477	Bag	1	
CA5	SYB483-1	Grill, Lower	1	SB-6000-(X, XCM)	P5	SPB1089	Gag, Grill, Upper	1	
CA5	SYB483-3	Grill, Lower	1	SB-6000-(XGG, XGE)	P6	SPS265	Left Pad, Upper	1	
CA6	SHG1295-1	Net Catch	2		P7	SPS265-1	Right Pad, Upper	1	
CA7	SHG1297-1	Net Catch	2		P8	SPS269	Pad, Bottom	2	
CA8	SGB411	Badge	2		P9	SPS257	Pad, Speaker	1	
CA9	SGC347	Plate, Pipe	4		P10	SPS287	Left Pad, Upper	1	
CA10	SGX625	Pipe	2		P11	SPS267-1	Right Pad, Upper	1	
CA11	SNE2007S	Screw, Pipe	2		P12	SPS289	Pad, Bottom	2	
CA12	SUW909	Bracket, Pipe	2		P13	SPS263	Pad, Spacer	1	
CA13	SKX205-3	Bracket, Pipe	4		<b>(ACCESSORY PARTS)</b>				
CA14	SGE343	Plate, Tweeter	1		A1	SQF1195	Printed Matter	1	
CA15	SGE345	Bracket, Woofer	4		A2	SWX177-1	Speaker Cord	1	
CA16	SMN1339	Bracket, Tweeter	2		A3	SQX7027	Warrantee Cord	1	SB-6000-(XGE)
CA17	SHG1301	Bushing	1						
CA18	XVE4B20FCS	Bolt, Pipe	2						

# Service Manual

Linear Phase Speaker System

## SB-5000/SB-6000

**Supplement-1**

### PARTS MODIFICATION ON TWEETER PROTECTION

For additional information, please refer to the service manual for Model No. SB-5000,SB-6000.

- Notes:
- \* This service manual includes only the changes of the **SB-5000,SB-6000** service manual (ORDER NO.SD7601-1052).
  - \* When servicing model **SB-5000,SB-6000** this service manual and **SB-5000,SB-6000** (ORDER NO. SD7601-1052) service manual should be used together.

### CHANGES

#### ■ REPLACEMENT PARTS LIST

##### SB-5000

Ref. No.	Change of Part No.		Part Name & Description	Per Set (Pcs.)	Remarks
	OLD	NEW			
F1	Addition	XBA1E06NS5	600mA, Fuse	1	
C3	ECEA50Y6R8	ECEA100Y4R7	4.7 $\mu$ F, 100V, Electrolytic	1	
C5	Addition	ECEA50Y2R2	2.2 $\mu$ F, 50V, Electrolytic	1	
CA1	SKA8036	SKA9811W	Cabinet	1	
CA18	Addition	<b>QTF1046</b>	Fuse Holder	1	
CA19	Addition	SMK31	Fuse Panel	1	
CA20	Addition	SHR9359	Rubber	1	
CA21	Addition	XMS31 + 10FZ	Screw	3	
	Addition	SQX4561	Caution Label	1	

##### SB-6000

Ref. No.	Chang of Part No.		Part Name & Description	Per Set (Pcs.)	Remarks
	OLD	NEW			
F1	Addition	XBA1E10NS5	1A, Fuse	1	
C4	ECEA50Y15	ECEA50Y10	10 $\mu$ F, 50V, Electrolytic	1	
C8	Addition	ECEA50Y3R3	3.3 $\mu$ F, 50V, Electrolytic	1	
CA1	SKA8073	SKA9832W	Cabinet	1	
CA30	Addition	<b>QTF1046</b>	Fuse Holder	1	
CA31	Addition	SMK31	Fuse Panel	1	
CA32	Addition	SHR9359	Rubber	1	
CA33	Addition	XMS31 + 10FZ	Screw	3	
	Addition	SQX4565	Caution Label	1	