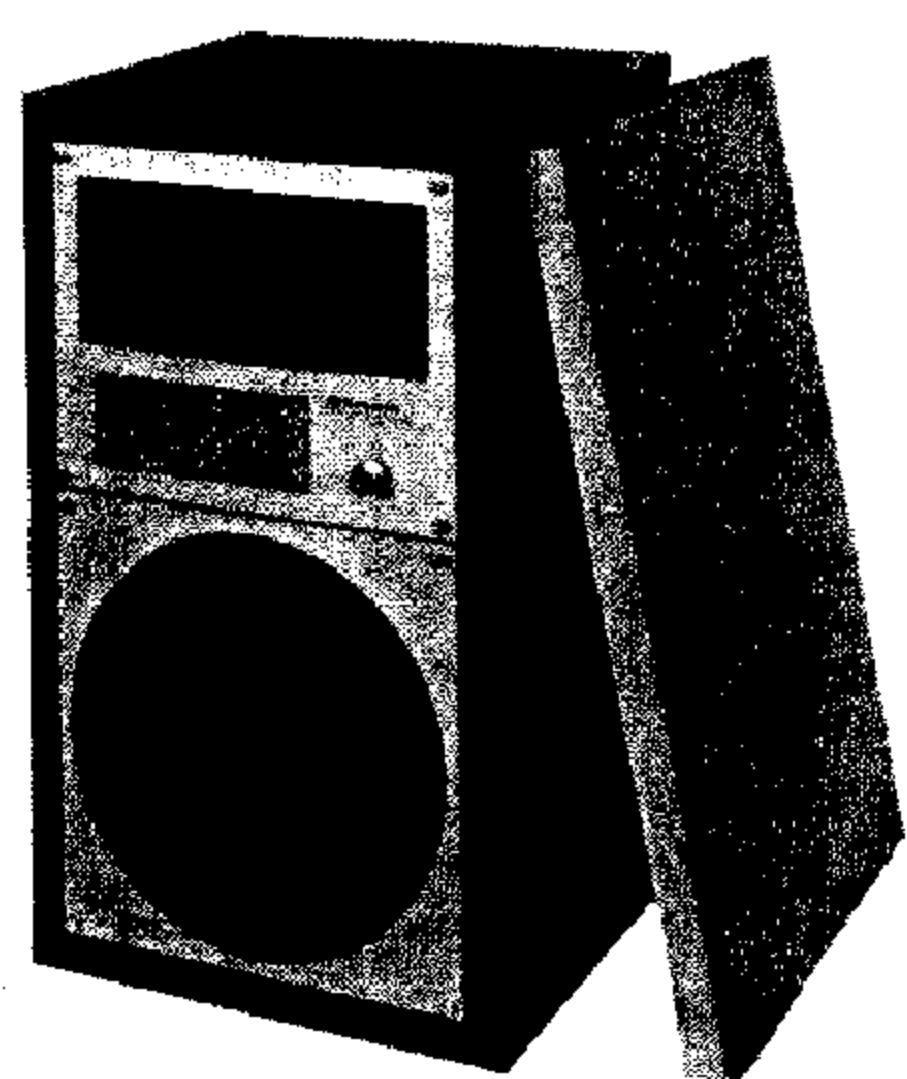
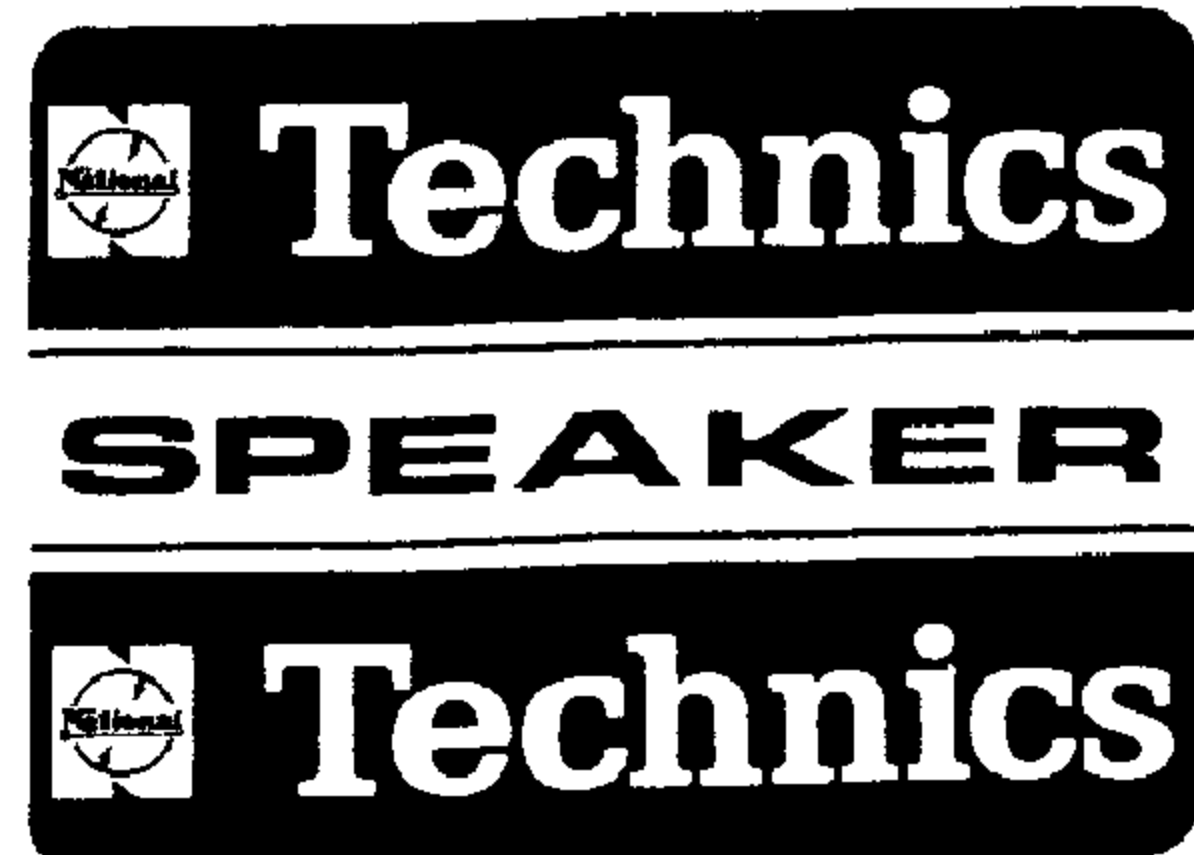


Service Manual



SB-440



SB-660

Hi-Fi SPEAKER SYSTEM MODEL SB-440, 660

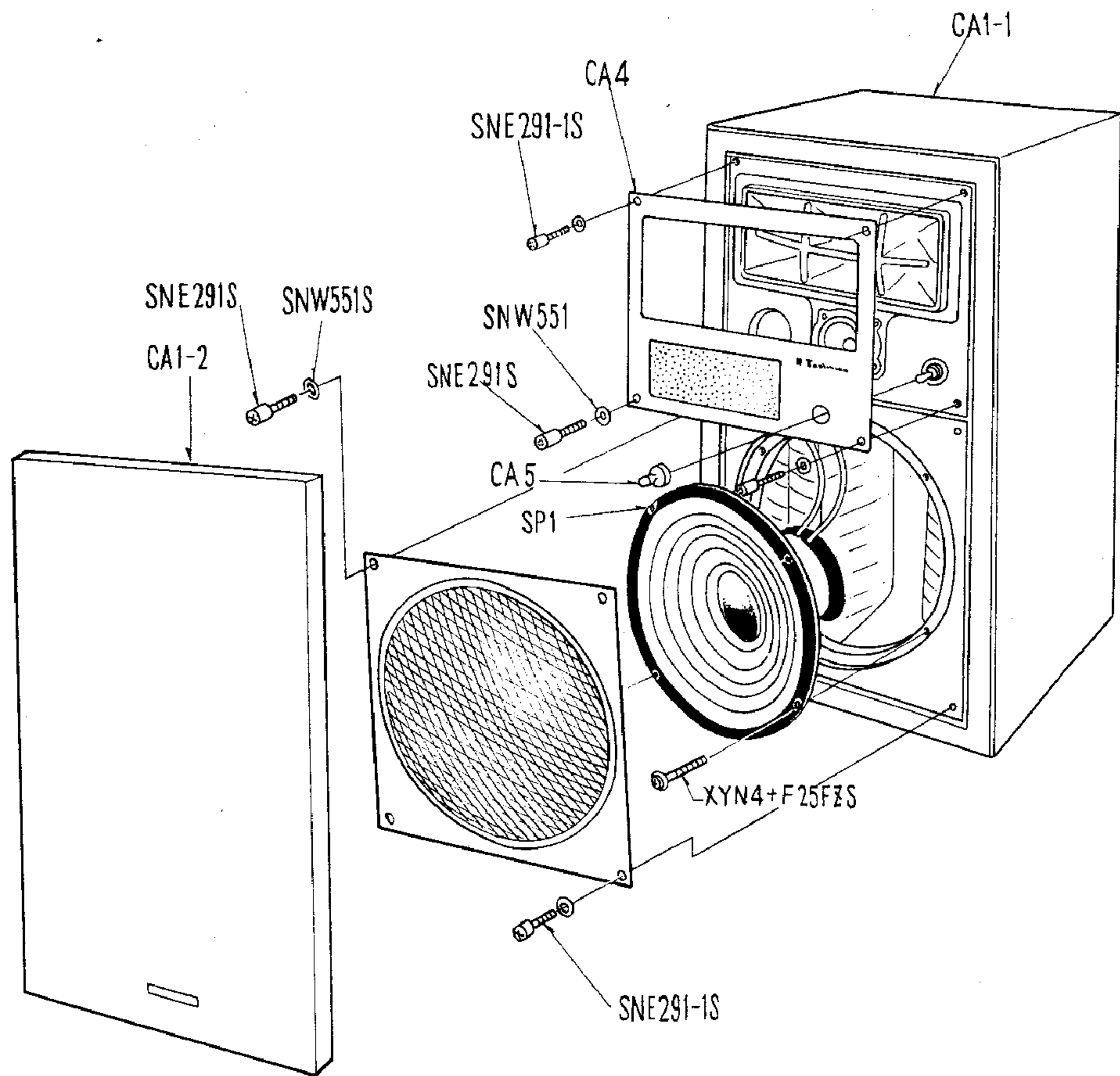
SPECIFICATIONS

MODEL	SB-440	SB-660
ITM		
System :	3-way 3-speakers	3-way 3-speakers
Speaker :		
Woofer	25cm (10") High Compliance	30cm (12") High Compliance
Midrange	25cm (10") Multi Cell' Horn	25cm (10") Multi Cell' Horn
Tweeter	6.5cm (2 3/8") Cone	5cm (2") Horn
Impedance :	8Ω	8Ω
Maximum Input: :	50 watt	70 watt
Cross Over Frequency :	1.5kHz, 7kHz	1.5kHz, 7kHz
Sound Pressure Level :	93 dB/watt	95 dB/watt
Frequency Response :	35Hz ~ 20kHz	30kHz ~ 20kHz
Dimensions (W×H×D):	358mm×595mm×317mm (14 1/10" × 23 3/8" × 12 1/2")	400mm×660mm×317mm (15 3/4" × 26" × 12 1/2")
Weight :	17.4kg (38.4 lbs.)	22.5kg (49.5 lbs.)

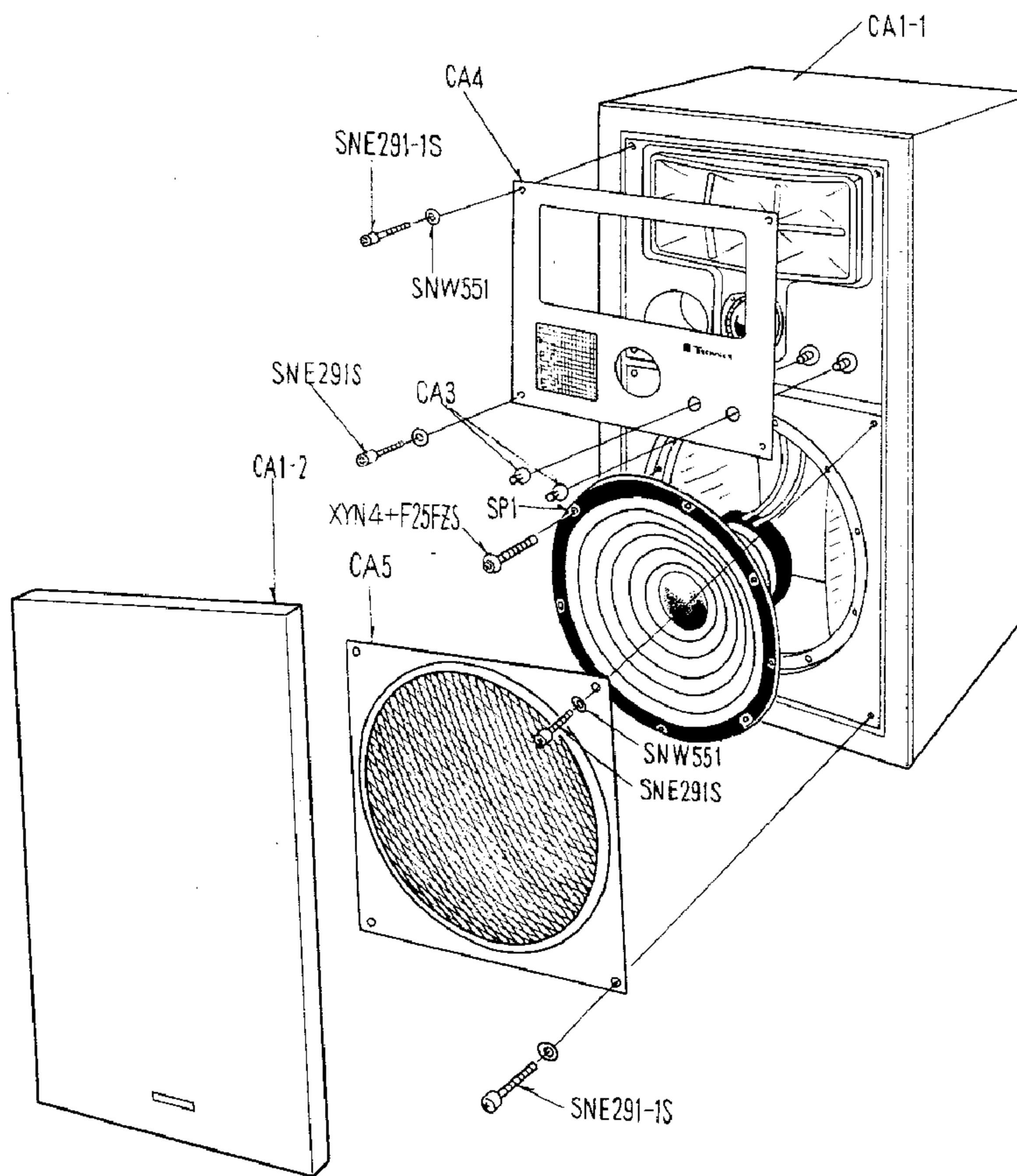
MATSUSHITA ELECTRIC
MATSUSHITA ELECTRIC TRADING CO., LTD.
P. O. Box 288, Central Osaka, Japan

LOCATION OF PARTS

MODEL SB-440

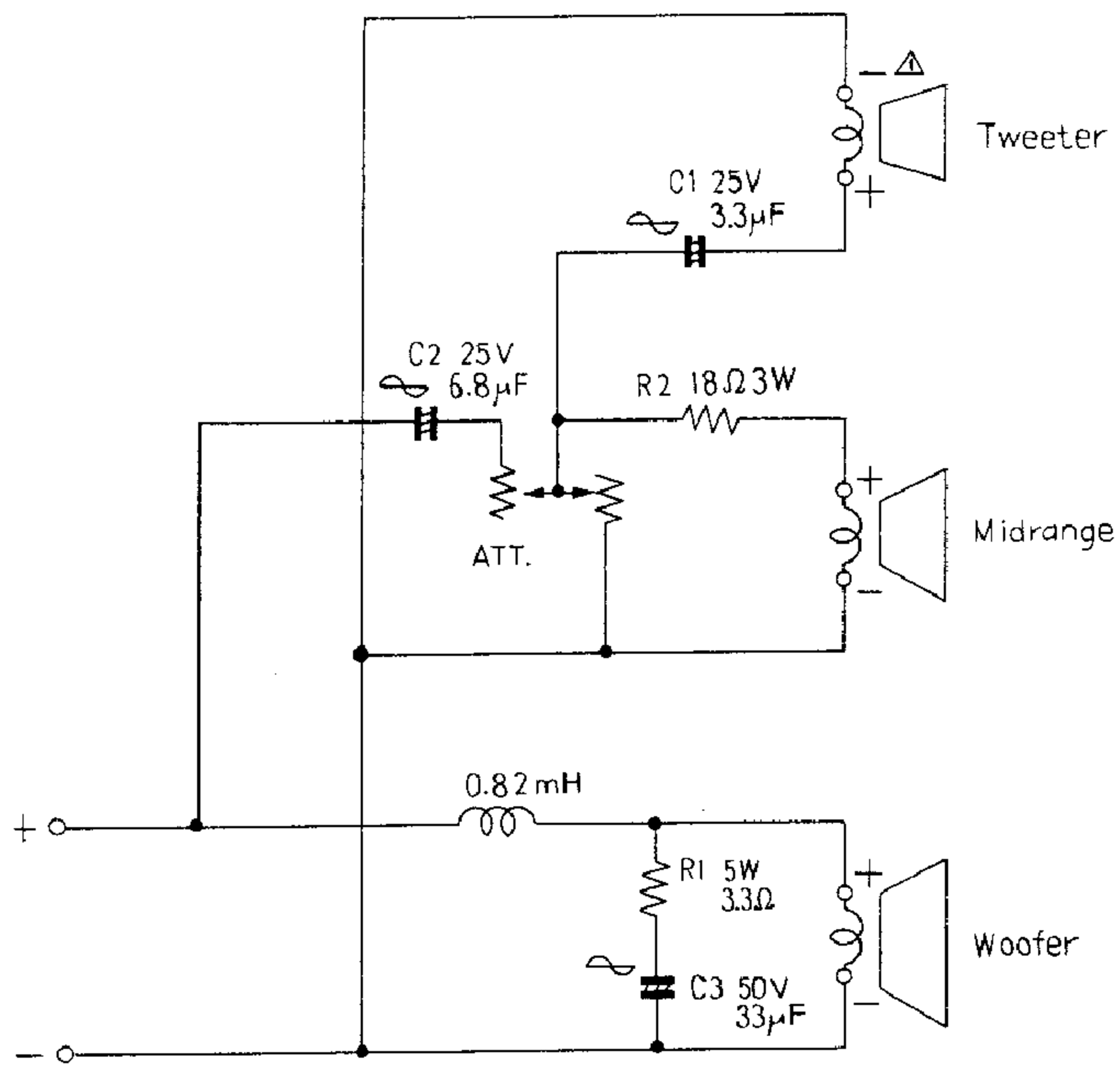


MODEL SB-660

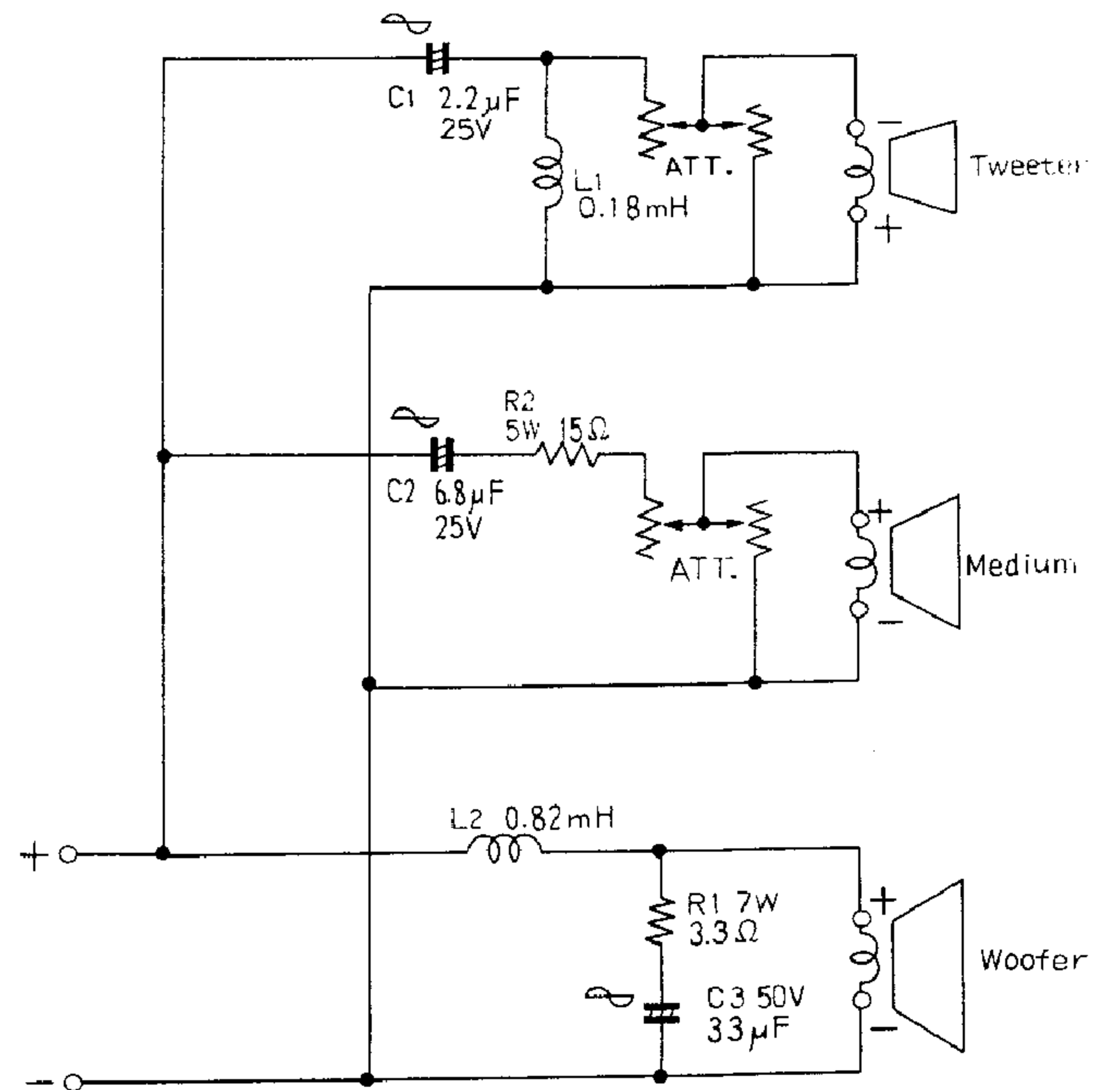


SCHEMATIC DIAGRAM

MODEL SB-440

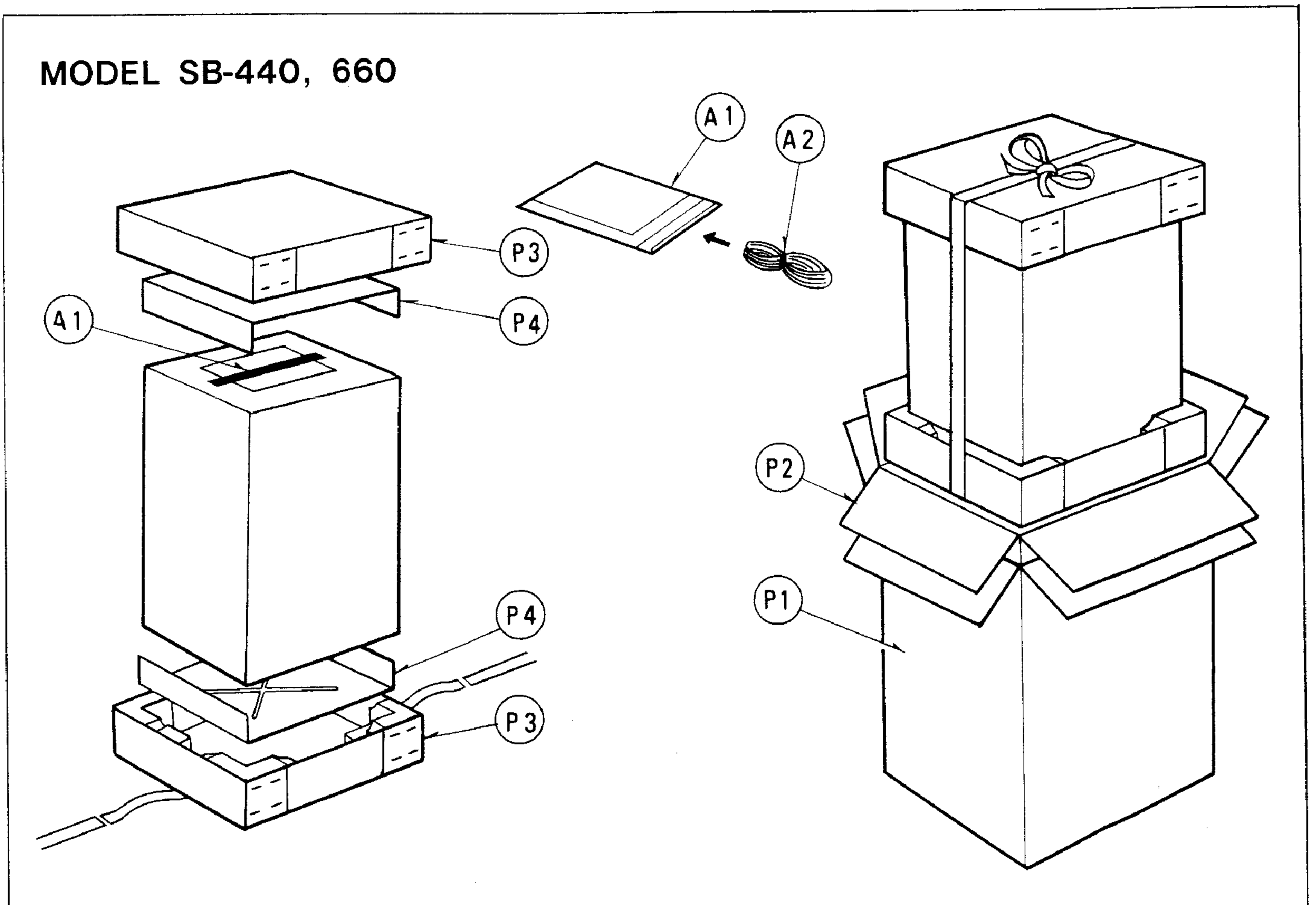


MODEL SB-660



COMPONENT PACKING PROCEDURE

MODEL SB-440, 660



REPLACEMENT PARTS LIST

NOTES:

1. Part numbers indicated on most mechanical parts.
Please use Part number for parts orders.

Ref. No.	Part No.	Description	Per Set (Pcs.)	Remarks	Ref. No.	Part No.	Description	Per Set (Pcs.)	Remarks
SB-440					SB-660				
SP1	EAS25PL45S	Woofers, Speaker	1		SP1	EAS30PL39S	Woofers, Speaker	1	
SP1	EAS25HD30S	Medium Driver, Speaker	1		SP2	EAS25HD30S	Medium Driver, Speaker	1	
SP3	EAS65PH05SA	Tweeter, Speaker	1		SP3	EAS5HH40S	Tweeter, Speaker	1	
CH1	SRE9	Attenuator	1		CH1	SRE9	Attenuator	2	
CH2	SLCE821K	Choke Coil	1		L1	SLCE821K	Choke Coil	1	
C1	ECEA25Y3R3	Electrolytic 3.3 μ F, WV-25V	1		L2	SLCA181KU	Choke Coil	1	
C2	ECEA25Y6R8	Electrolytic 6.8 μ F, WV-25V	1		C1	ECEA25Y2R2	Electrolytic 2.2 μ F, WV-25V	1	
C3	ECEA50Y33	Electrolytic 33 μ F, WV-50V	1		C2	ECEA25Y6R8	Electrolytic 6.8 μ F, WV-25V	1	
R1	ERX5ANJ3R3	Metal Film Resistor 3.3 Ω	1		C3	ECEA50Y33	Electrolytic 33 μ F, WV-50V	1	
R2	ERX3ANJ180	Metal Film Resistor 18 Ω	1		R1	ERX7ANJ3R3	Metal Film Resistor 3.3 Ω	1	
CA1	SKA6891	Cabinet Ass'y (Not Available)	(1)		R2	ERX5ANJ150	Metal Film Resistor 15 Ω	1	
CA1-1	{ SKA6890	Cabinet	1	○	CA1	SKA6911	Cabinet Ass'y (Not Available)	(1)	
CA1-2	{ SYB391	Net Ass'y	1	○	CA1-1	{ SKA6910	Cabinet	1	○
CA1-3	{ SYB391-2	Net Ass'y (for European Military)	1		CA1-2	{ SYB393	Net Ass'y	1	○
CA2	SGE281	Horn	1		CA1-3	{ SYB393-2	Net Ass'y (for European Military)	1	
CA3	SGW5532	Horn Panel	1		CA2	SGE281	Horn Ass'y	1	○
CA4	SGW5550	Woofers Panel	1	○	CA3	SBN455-1	Knob	2	
CA5	SBN455-1	Knob	1		CA4	SGW5572	Horn Panel	1	○
A1	SQF827	Printed Matter	1	○	CA5	SGW5590	Woofers Panel	1	
A2	SJP2207	Speakers Cord	1		A1	SQF829	Printed Matter	1	○
P1	SPG473	Outside Packing Case	1	○	A2	SJP2207	Speakers Cord	1	
P2	SPN4701	Inside Packing Case	1	○	P1	SPG475	Outside Packing Case	1	○
P3	SPN4703	Pad, Top & Bottom	2	○	P2	SPN4707	Inside Packing Case	1	○
P4	SPN4705	Pad	2	○	P3	SPN4709	Pad, Top & Bottom	2	○
					P4	SPN4711	Pad	2	○