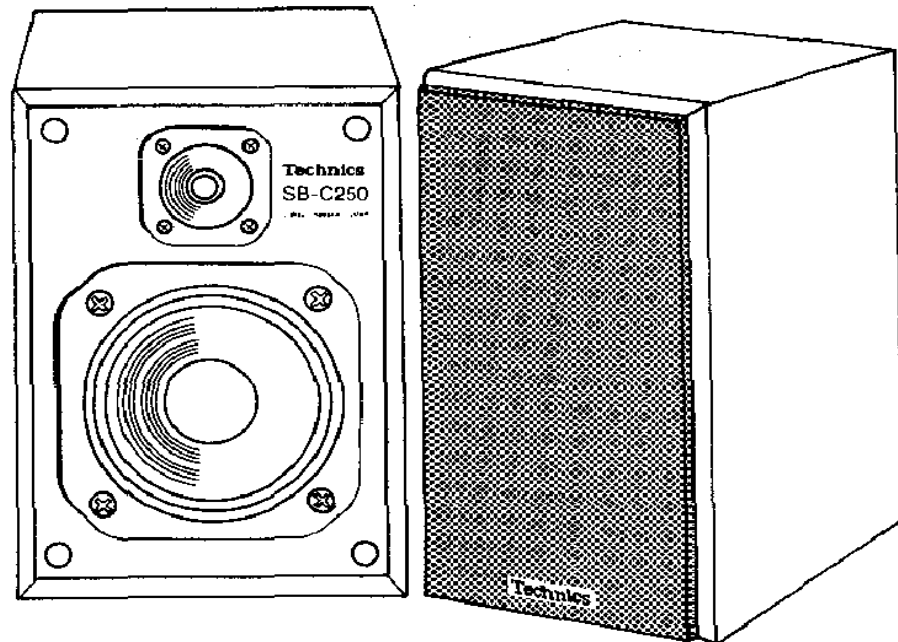


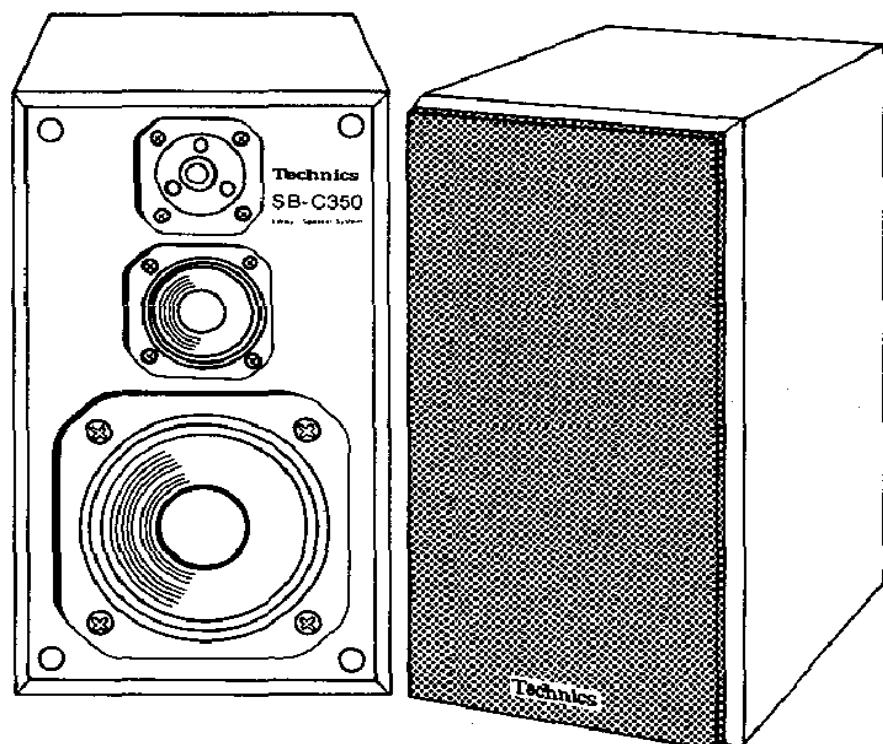
Service Manual

2 way speaker system



• SB-C250

3 way speaker system



• SB-C350

Speaker system

SB-C250
SB-C350

Color

(M) ... Walnut Type
(K) Black Type

SB-C250/C350

Color	Areas
(M)	[M] U.S.A. (SB-C250 only)
(M)	[MC] ... Canada.
(M)	[E] Continental Europe
(M)	[EK] ... United Kingdom. (SB-C250/SB-C350)
(K)	[EK] ... United Kingdom. (SB-C250 only)
(M)	[EH] ... Holland.
(M)	[EF] ... France.
(M)	[EB] ... Belgium.
(M)	[Ei] Italy.
(M)	[EG] ... F.R. Germany.
(M)	[EW] ... Switzerland.
(M)	[XA] ... Asia, Latin America, Middle Near East, Africa and Oceania.

SPECIFICATIONS

• SB-C250

Type 2 way 2 speaker system
Speakers Woofer: 18 cm corn type
Tweeter: 2.5 cm dome type
Impedance 6 ohms
Input Power 120W, Music
60 W, DIN
Output Sound Pressure Level 86 dB/W (1.0 m)

Crossover Frequency 3,000 Hz
Frequency Range 37 Hz~33 kHz (-16 dB)
47 Hz~30 kHz (-10 dB)
Dimensions (W×H×D) 235×365×203 mm
Weight 5.3 kg

• SB-C350

Type 3 way 3-speaker system
Speakers Woofer: 20 cm corn type
Midrange: 10 cm corn type
Tweeter: 2.5 cm dome type
Impedance 6 ohms
Input Power 140W, Music
70 W, DIN

Output Sound Pressure Level 88 dB/W (1.0 m)
Crossover Frequency 1,000 Hz, 4,500 Hz
Frequency Range 36 Hz~33 kHz (-16 dB)
44 Hz~30 kHz (-10 dB)
Dimensions (W×H×D) 280×495×208 mm
Weight 7.4 kg

(Specifications are subject to change without notice for further improvement.)

Technics

Matsushita Services Company
50 Meadowland Parkway,
Secaucus, New Jersey 07094

Panasonic Sales Company,
Division of Matsushita Electric
of Puerto Rico, Inc.
Ave. 65 De Infanteria, KM 9.7
Victoria Industrial Park
Carolina, Puerto Rico 00630

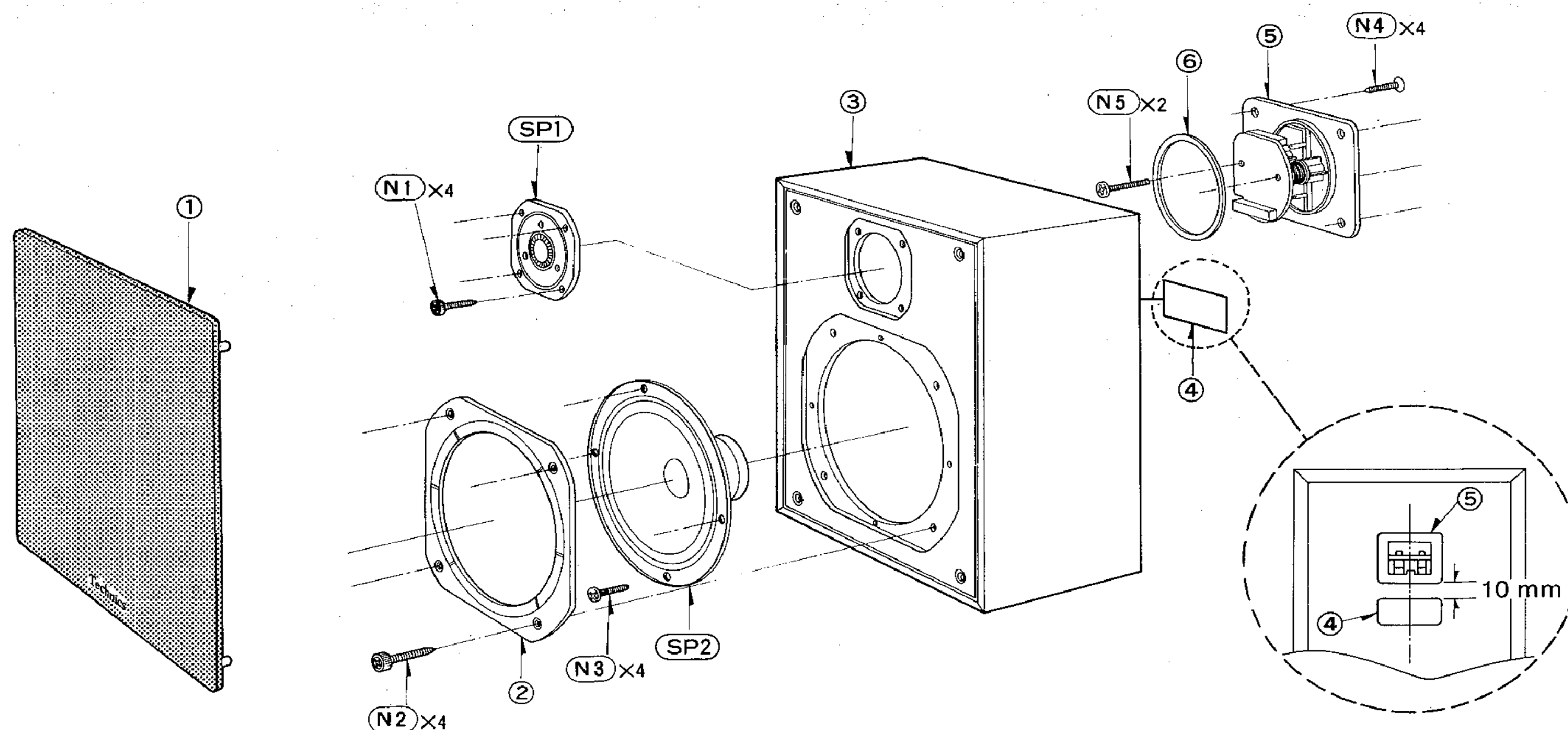
Panasonic Hawaii, Inc.
91-238, Kauhū St. Ewa Beach
P.O. Box 774
Honolulu, Hawaii 96808-0774

Matsushita Electric
of Canada Limited
5770 Ambler Drive, Mississauga,
Ontario, L4W 2T3

Matsushita Electric Trading Co., Ltd.
P.O. Box 288, Central Osaka Japan

EXPLODED VIEW

• SB-C250



REPLACEMENT PARTS LIST

- Notes:**
1. Part numbers are indicated on most mechanical parts. Please use this part number for parts orders.
 2. The parenthesized numbers in the columns of description stand for the quantity per set.

3. Bracketed indications in Ref. No. columns specify the area. Parts without these indications can be used for all areas.

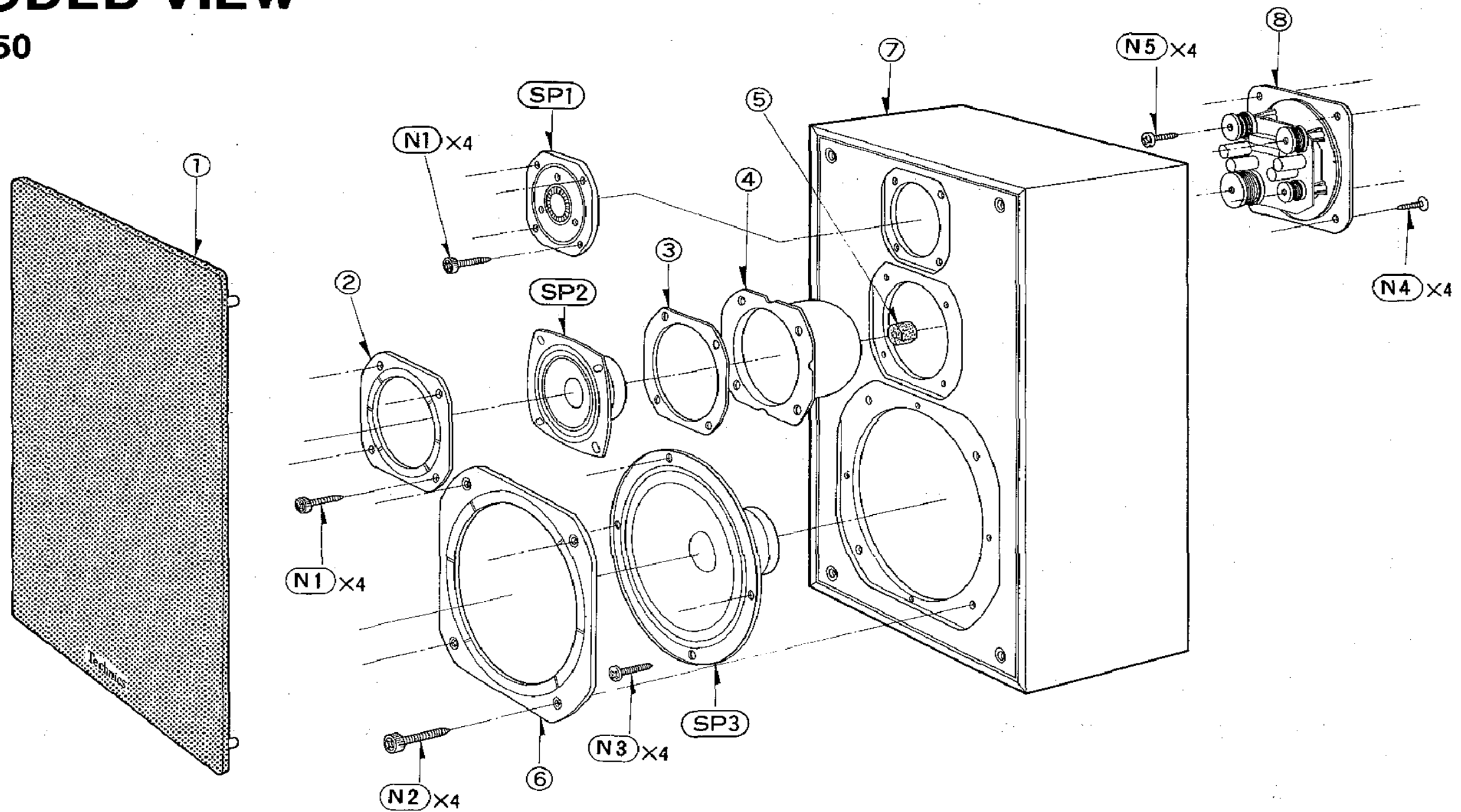
• SB-C250

Ref. No.	Part. No.	Part Name & Description
SPEAKERS		
SP1	SASS3PH06-T	Tweeter
SP2	SASS18PL02-T	Woofers
COILS		
L1 [EG, EW]	SLCSJ152JZ	1.5mH
L1 [other]	SLCSA821JZ	0.82mH
L2 [EG, EW]	SLCSJ271JZ	0.27mH
L2 [other]	SLCSA181KZ	0.18mH
CAPACITORS		
C1	ECEA50Y56K	50V, 56 μ F
C2 [EG, EW]	ECEA50Y4R7K	50V, 4.7 μ F
C2 [other]	ECEA50Y10K	50V, 10 μ F
C3 Except [EG, EW]	ECEA50Y8R2K	50V, 8.2 μ F
RESISTORS		
R1	ERF5ZXK6R8	5W, 6.8 Ω
R2 [EG, EW]	ERF5ZXK3R3	5W, 3.3 Ω
R2 [other]	ERF5ZXK5R6	5W, 5.6 Ω
CABINET PARTS		
1	SYBS260	Grill (1)
2	SGHS1072	Panel, Woofer (1)
3 [EK] Black Type	SKAS2621W	Cabinet Ass'y (Black Type) (1)
3 [EK] & [other]	SKAS2620W	Cabinet Ass'y (Walnut Type) (1)

Ref. No.	Part. No.	Part Name & Description
4	SGTS420	Name Plate (1)
5	SJFS5204	Terminal Board (1)
6	SHRS9141	Spacer, Terminal Ass'y (1)
SCREWS		
N1	SNES9006FG	Panel, Tweeter (4)
N2	SNES9003-2FG	Panel, Woofer (4)
N3	XTB4+20A	Woofer (4)
N4	XMS31+D16FZ	Terminal Board (4)
N5	XTB4+35B	Terminal Ass'y (2)
ACCESSORIES		
A1 [M]	SQFS447	Instruction Book (1)
A1 [MC]	SQFS439	Instruction Book (1)
A1 [other]	SQFS437	Instruction Book (1)
A2 Except [M, MC]	SWXS218	Speaker Cord (1)
PACKING PARTS		
P1 [EK] Black Type	SPG5741-2	Carton Box (Black Type) (1)
P1 [EF]	SPG5742	Carton Box (Walnut Type) (1)
P1 [XA]	SPG5741-1	Carton Box (Walnut Type) (1)
P1 [M]	SPG5741-3	Carton Box (Walnut Type) (1)
P1 [MC]	SPG5750	Carton Box (Walnut Type) (1)
P1 [EK] & [other]	SPG5741	Carton Box (Walnut Type) (1)
P2	SPSS1047	Pad, Corner (8)
P3	SPS4763	Pad, Bottom (1)
P4	SPS4761	Pad, Center (1)
P5	SPS4762	Pad, Upper (1)
P6	SPHS6041	Millar Mat (1)
P7	SPHS4X140A03	Sheet (1)

EXPLODED VIEW

• SB-C350



REPLACEMENT PARTS LIST

- Notes:**
1. Part numbers are indicated on most mechanical parts. Please use this part number for parts orders.
 2. The parenthesized numbers in the columns of description stand for the quantity per set.

3. Bracketed indications in Ref. No. columns specify the area. Parts without these indications can be used for all areas.

• SB-C350

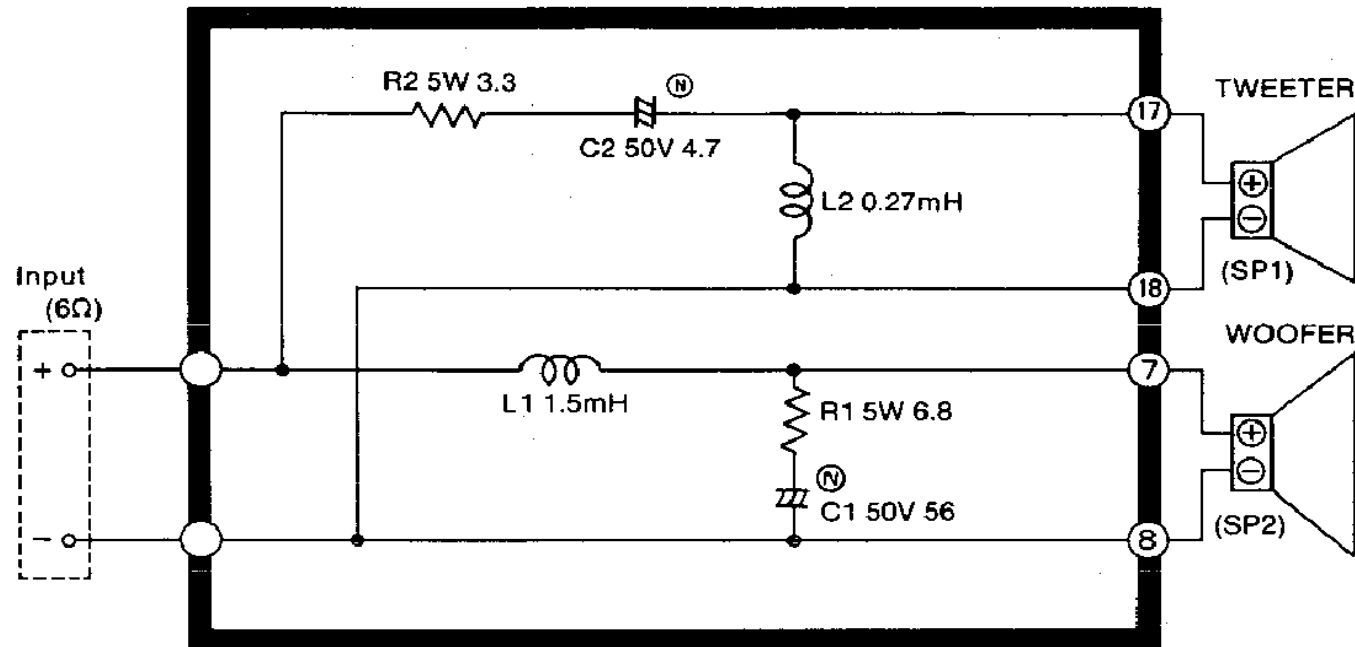
Ref. No.	Part. No.	Part Name & Description
SPEAKERS		
SP1	SASS3PH06-T	Tweeter
SP2	SASS10PM01-T	Midrange
SP3	SASS20PL04-T	Woofer
COILS		
L1 [EG, EW]	SLCSA182JZ	1.8 mH
L1 [other]	SLCSA102JZ	1.0 mH
L2	SLCSJ122JZ	1.2 mH
L3 [EG, EW]	SLCSJ122JZ	1.2 mH
L3 [other]	SLCSA821JZ	0.82 mH
L4	SLCSA221KZ	0.22 mH
CAPACITORS		
C1	ECEA50Y47K	50V, 47 μ F
C2 [EG, EW]	ECEA50Y6R8K	50V, 6.8 μ F
C2 [other]	ECEA50Y4R7K	50V, 4.7 μ F
C3	ECEA50Y6R8K	50V, 6.8 μ F
C4 [EG, EW]	ECEA50Y5R6K	50V, 5.6 μ F
C4 [other]	ECEA50Y3R9K	50V, 3.9 μ F
RESISTORS		
R1 [EG, EW]	ERF5ZXK2R2	5W, 2.2 Ω
R1 [other]	ERF5ZXK5R6	5W, 5.6 Ω
R2 Except [EG, EW]	ERF5ZXK2R7	5W, 2.7 Ω

Ref. No.	Part. No.	Part Name & Description
CABINET PARTS		
1	SYBS261	Grill (1)
2	SGHS1074	Panel Midrange (1)
3	SHPS6011	Spacer, Tweeter (1)
4	SUVS9-1	Cover, Midrange (1)
5	SHRS9071	Bushing (1)
6	SGHS1073	Panel, Woofer (1)
7	SKAS2630W	Cabinet Ass'y (1)
8	SJFBC350-ME	Terminal Board Ass'y (1)
SCREWS		
N1	SNES9006FG	Tweeter, Midrange (8)
N2	SNES9003-2FG	Panel, Woofer (4)
N3	XTB4+20A	Woofer (4)
N4	XMS31+D16FZ	Terminal Board (4)
N5	XTB4+35B	Terminal Ass'y (4)
ACCESSORIES		
A1 [MC] only	SQFS440	Instruction Book (1)
A1 [other]	SQFS438	Instruction Book (1)
A2 Except [MC]	SWXS218	Speaker Cord (1)
PACKING PARTS		
P1 [MC]	SPG5749	Carton Box (1)
P1 [EF]	SPG5744	Carton Box (1)
P1 [XA]	SPG5743-1	Carton Box (1)
P1 [other]	SPG5743	Carton Box (1)
P2	SPSS1066	Pad, Corner (8)
P3	SPS4766	Pad, Bottom (1)
P4	SPS4764	Pad, Center (1)
P5	SPS4765	Pad, Upper (1)
P6	SPHS6029	Millar Mat (1)
P7	SPHS4X150A03	Sheet (1)

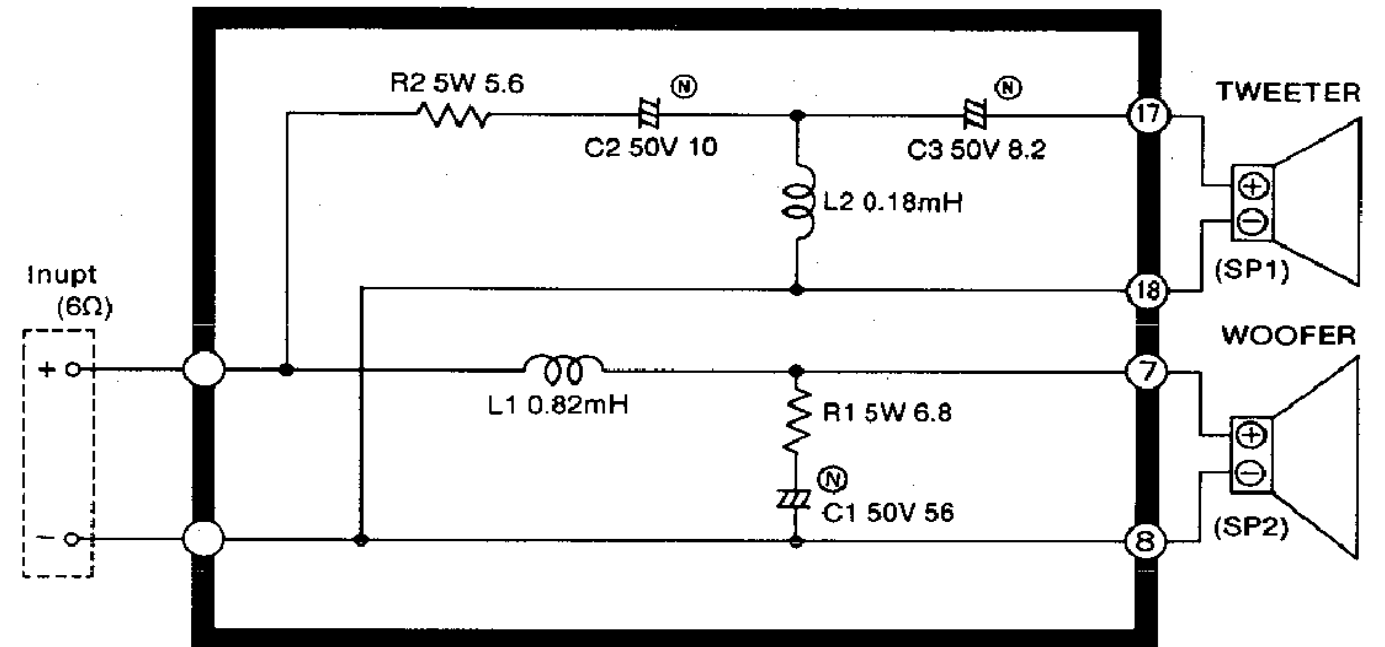
■ SCHEMATIC DIAGRAM

(This schematic diagram may be modified at any time with the development of new technology.)

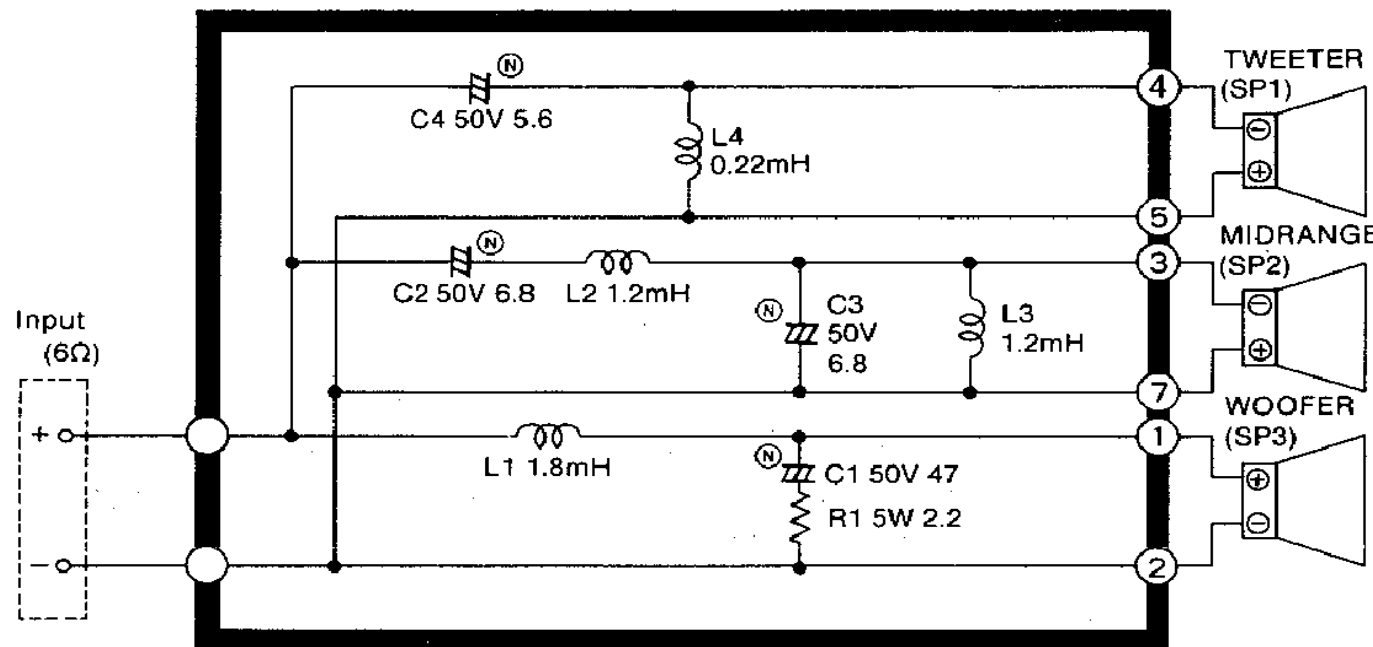
- SB-C250
- [EG, EW] areas only



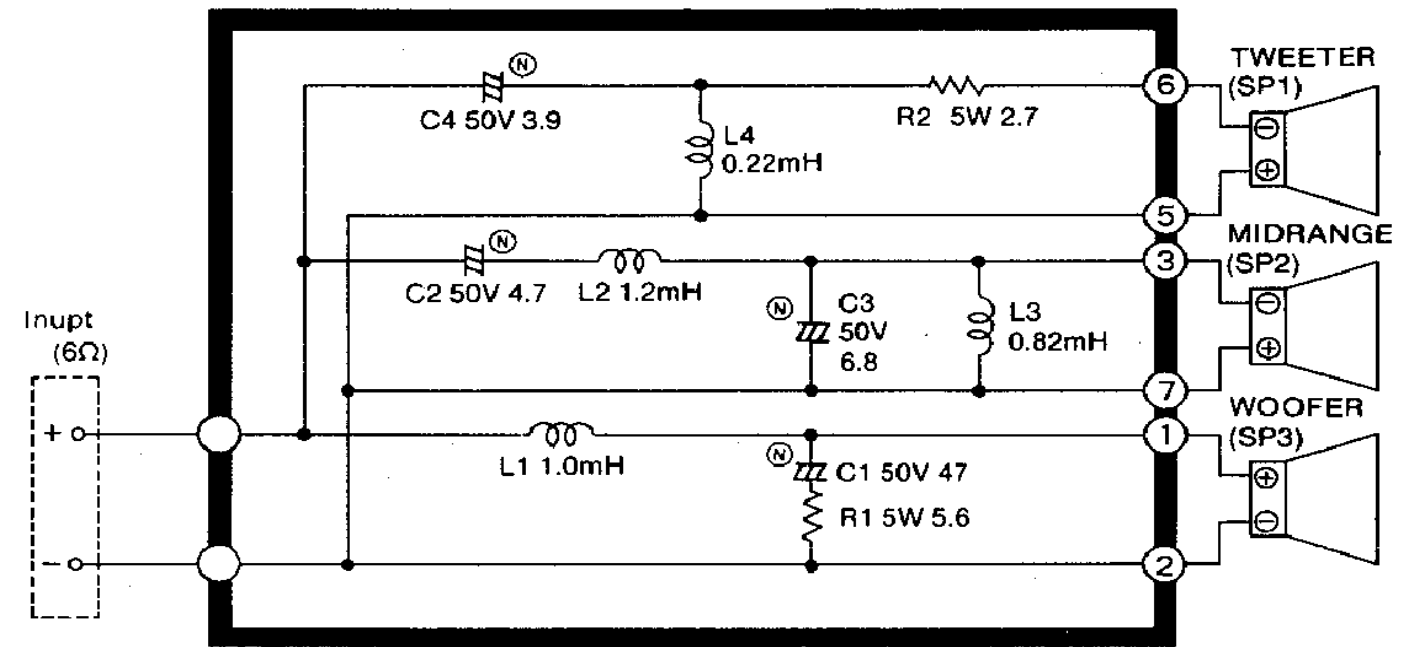
- Other areas



- SB-C350
- [EG, EW] areas only



- Other areas



■ PACKING

