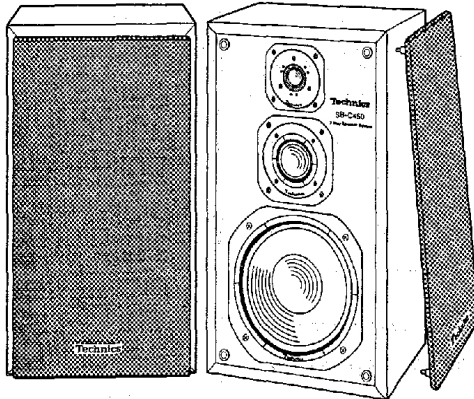


# Service Manual

3 Way 3 Speaker System

## SB-C450



### Color

(K) .... Black Type  
(M) .... Walnut Type

### SPECIFICATIONS (English)

**Type** 3-way 3-speaker system  
**Speakers** Woofer: 20 cm TMD cone type  
 Midrange: 4.5 cm dome type  
 Tweeter: 2.5 cm dome type  
**Impedance** 6 ohms  
**Input Power** 200 W, Music  
 100 W, DIN  
**Output Sound Pressure Level** 86 dB/W (1.0 m)  
**Crossover Frequencies** 800 Hz, 4,000 Hz

### TECHNISCHE DATEN (Deutsch)

**Typ** 3-Weg-System mit 3 Lautsprecher  
**Lautsprecher** Tieftonlautsprecher: 20 cm, TMD-Konustyp  
 Mitteltonlautsprecher: 4,5 cm, Kalottentyp  
 Hochtonlautsprecher: 2,5 cm, Kalottentyp  
**Impedanz** 6 Ohm  
**Belastbarkeit** 200 Watt Music  
 100 Watt DIN  
**Abgegebener Schalldruckpegel** 86 dB/W (in 1,0 m Abstand)  
**Überschneidungsfrequenz** 800 Hz, 4,000 Hz

### CARACTERISTIQUES (Français)

**Type** 3 voies, 3 haut-parleurs  
**Haut-parleurs** graves: 20 cm, type à corne TMD  
 moyennes: 4,5 cm, type à dôme  
 aigus: 2,5 cm, type à dôme  
**Impédance** 6 Ohms  
**Entrée maximale** 200 watts, musique  
 100 watts, DIN  
**Niveau de pression sonore de sortie** 86 dB/W (1,0 m)  
**Fréquence de commutation** 800 Hz, 4,000 Hz

### ESPECIFICACIONES (Español)

**Typo** Sistema con 3 altoparlantes tridireccionales  
**Altoparlante** "Woofer": tipo cónico TMD de 20 cm  
 "Gama media": tipo domo de 4,5 cm  
 "Tweeter": Tipo domo de 2,5 cm  
**Impedancia** 6 ohmios  
**Capacidad de potencia** 200 vatios, música  
 100 vatios, DIN  
**Nivel de presión acústica de salida** 86 dB/W (1,0 m)  
**Frecuencia de cruce** 800 Hz, 4,000 Hz

### Area

Color	Area
(K) (M)	[E] .... Continental Europe.
(K) (M)	[EK] .... United Kingdom.
(K) (M)	[EG] ... F.R.Germany.
(K) (M)	[EB] .... Belgium.
(K) (M)	[EH] .... Holland.
(K) (M)	[EF] .... France.
(K) (M)	[EI] .... Italy.
(K) (M)	[XA] .... Asia, Latin America, Middle Near East, Africa and Oceania.
(K) (M)	[EW] ... Switzerland.

**Frequency Range** 30 Hz ~ 33 kHz (-16 dB)  
 40 Hz ~ 30 kHz (-10 dB)

**Dimensions (W x H x D)** 295 x 505 x 257 mm  
**Weight** 10.5 kg

### Notes:

- TMD (Technics Monocoque Diaphragm) is a diaphragm with rigidity improved by the unification of the cone and the center cap.
- Specifications are subject to change without notice. Weight and dimensions are approximate.

**Frequenzbereich** 30 Hz ~ 33 kHz (-16 dB)  
 40 Hz ~ 30 kHz (-10 dB)

**Abmessungen** 295 (B) x 505 (H) x 257 (T) mm  
**Gewicht** 10,5 kg

### Hinweis:

TMD (Technics Monocoque Diaphragm) ist eine durch Integrierung von Konus und mittlerer Kappe versteifte Membran.

**Gamme de fréquences** 30 Hz ~ 33 kHz (-16 dB)  
 40 Hz ~ 30 kHz (-10 dB)

**Dimensions** 295 (L) x 505 (H) x 257 (P) mm  
**Poids** 10,5 kg

### Remarque:

La TMD (membrane monocoque Technics) est une membrane dont la rigidité a été améliorée en unifiant le cône et le dôme.

**Alcance de frecuencia** 30 Hz ~ 33 kHz (-16 dB)  
 40 Hz ~ 30 kHz (-10 dB)

**Dimensiones** 295 (ancho) x 505 (alto) x 257 (prof.) mm  
**Peso** 10,5 kg

### Nota:

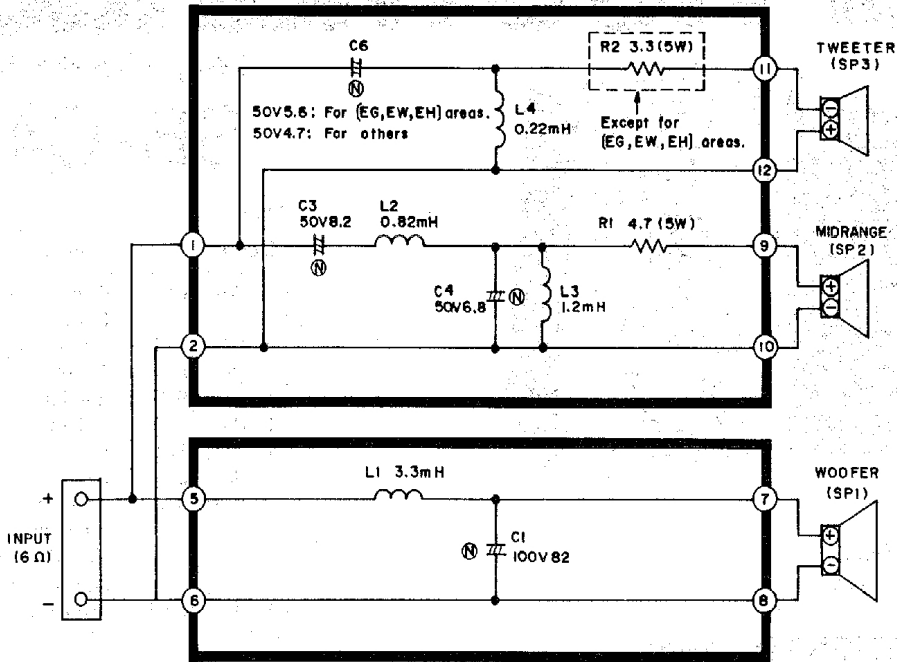
Se ha mejorado la rigidez del TMD (diafragma monocasco Technics) unificando el cono y la toma central.

**Matsushita Electric Trading Co., Ltd.**  
 P.O. Box 288, Central Osaka Japan

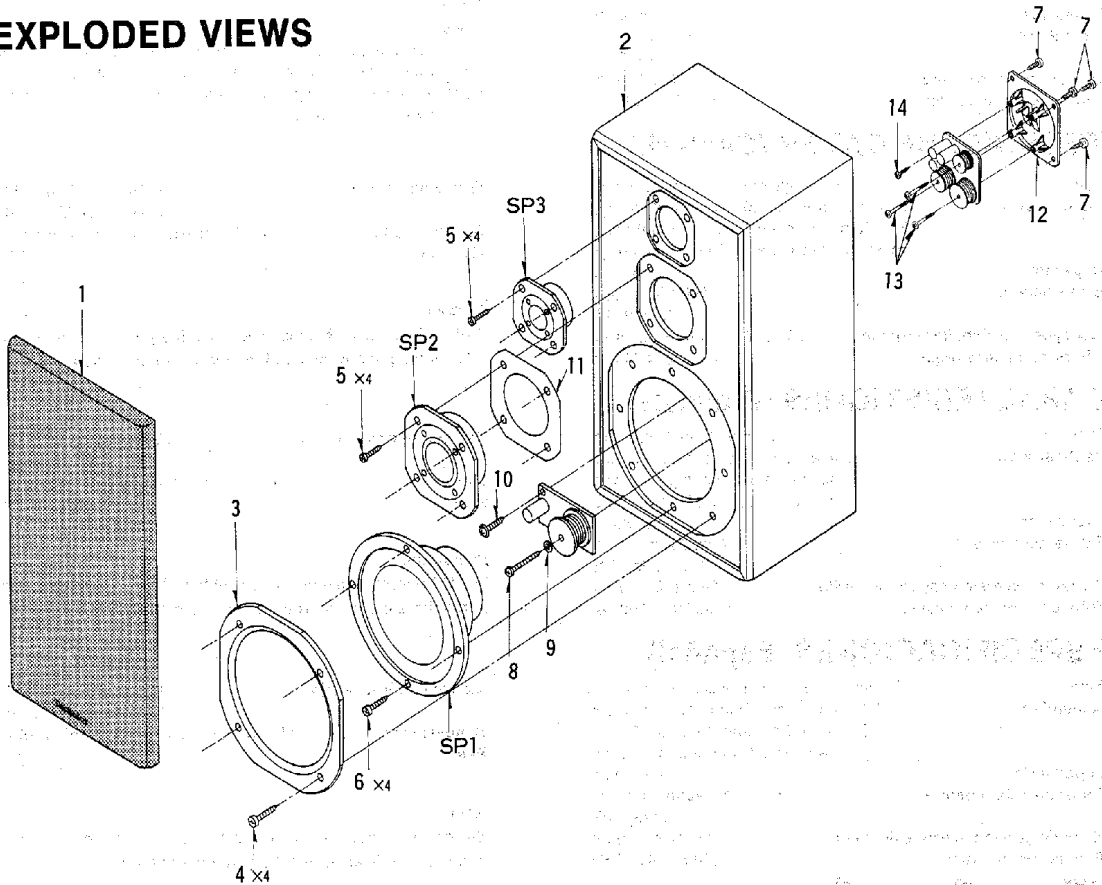
# Technics

## ■ SCHEMATIC DIAGRAM

(This schematic diagram may be modified at any time with development of new technology.)



## ■ EXPLODED VIEWS



# REPLACEMENT PARTS LIST

**Notes :** \* Important safety notice :

Components identified by  $\Delta$  mark have special characteristics important for safety. When replacing any of these components use only manufacturer's specified parts.

\* Bracketed indications in Ref. No. columns specify the area. (Refer to the first page for area.)

Parts without these indications can be used for all areas.

Ref. No.	Part No.	Description	Ref. No.	Part No.	Description
<b>RESISTORS</b>			(E1, XA)		
R1	ERF5AK4R7	CEMENT, 5W, 4.7 $\Omega$	C6	QCEA50Y5R6L	ELECTROLYTIC, 50V, 5.6 $\mu$ F
R2	ERF5ZK3R3	CEMENT, 5W, 3.3 $\Omega$	(E, EH, EW)		
(E, EK, EB, EF)			<b>COILS AND TRANSFORMERS</b>		
(E1, XA)			L1	SLCSC332JU	CHOKE COIL
<b>CAPASITORS</b>			L2	SLCSA821JE	CHOKE COIL
C1	ECEA100Y82K	ELECTROLYTIC, 100V, 82 $\mu$ F	L3	SLCSC122JU	CHOKE COIL
C3	ECEA50Y6R2K	ELECTROLYTIC, 50V, 8.2 $\mu$ F	L4	SLCSC221KU	CHOKE COIL
C4	ECEA50Y6R8	ELECTROLYTIC, 50V, 6.8 $\mu$ F	<b>SPEAKERS</b>		
C6	QCEA50Y4R7L	ELECTROLYTIC, 50V, 4.7 $\mu$ F	SP1	EAS20PL260A	SPEAKER(WOOFER)
(E, EK, EB, EF)			SP2	EAS45KM02A	SPEAKER(MID-RANGE)
			SP3	EAS3PH805B	SPEAKER(TWEETER)

Ref. No.	Part No.	Description	Ref. No.	Part No.	Description
<b>CABINET AND CHASSIS</b>			6	XTB4*20A	SCREW
1	$\Delta$ SYBS201	GRILLE	7	XMS31*D16FZ	SCREW
1	$\Delta$ SYBS200	GRILLE	8	XMM30*388W	SCREW
2	$\Delta$ SKABC450-KE	CABINET	9	XWG4	WASHER
2	$\Delta$ SKABC450-ME	CABINET	10	XAM31*D16	SCREW
3	SGHS1073	ORNAMENT, WOOFER	11	SHRS9156	SPACER
4	SNES9003-2FG	SCREW	12	SJFBC450-KE	TERMINAL BOARD
5	SNES9006FG	SCREW	13	XTB4*35B	SCREW
			14	XTB4*16B	SCREW

Ref. No.	Part No.	Description	Ref. No.	Part No.	Description
<b>PACKING MATERIAL</b>			P1	$\Delta$ SPG6263	CARTON BOX
P1	$\Delta$ SPG6264	CARTON BOX	(EF)		
(E, EK, EG, EB)			P2	SPS5155	PAD(MIDDLE)
(EH, EI, EW)			P3	SPS5156	PAD(BOTTOM)
P1	$\Delta$ SPG6265	CARTON BOX	P4	SPSS1066	PAD(CORNERS)
(XA)			P5	SPS5157	PAD(TOP)
P1	$\Delta$ SPG6267	CARTON BOX	P6	SPS5158	SPACER(TOP/BOTTOM)
(EF)			P7	SPHS4X165A03	PROTECTION SHEET
P1	$\Delta$ SPG6260	CARTON BOX	P8	SPE41	PACKING TAPE
(E, EK, EG, EB)			P9	$\Delta$ SPHS6041	PROTECTION SHEET
(EH, EI, EW)			<b>ACCESSORIES</b>		
P1	$\Delta$ SPG6261	CARTON BOX	A1	SQFS460	INSTRUCTION MANUAL
(XA)			A2	SWXS218	SPEAKER CORD

## PACKING

