

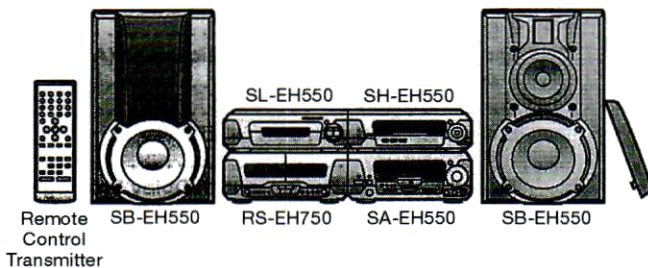
Service Manual

Speaker System

SB-EH550

Hi-Fi Speaker System

(S) Silver Type



■ SPECIFICATIONS

Type	3 way, 3 speaker system
Speaker	Woofers: 14 cm cone type Mid range: 12 cm cone type Tweeter: 6 cm cone type
Impedance	6 Ω
Input power	70 W (MUSIC)
Output sound pressure level	84dB/W (1.0 m)
Cross over frequency	200 Hz, 4kHz
Frequency range	46Hz - 22kHz (-16 dB) 50Hz - 20kHz (-10 dB)
Dimensions (W x H x D)	254 x 416 x 246 mm
Weight	5,6 kg

Notes :

Specifications are subject to change without notice.
Weight and dimensions are approximate.

■ ESPECIFICACIONES

Tipo	Sistema con 3 vías, 3 altavoces
Altavoces	Graves: 14 cm tipo cónico Medios: 12 cm tipo cónico Agudos: 6 cm tipo cónico
Impedancia	6 Ω
Capacidad de potencia	70W (Músicales)
Nivel de presión acústica de salida	84 dB/W (1.0 m)
Frecuencia de cruce	200 Hz, 4 kHz
Respuesta de frecuencias	46Hz - 22kHz (-16 dB) 50Hz - 20kHz (-10 dB)
Dimensiones (W x H x D)	254 x 416 x 278 mm
Peso	5,6 kg

Nota:

Estas especificaciones están sujetas a cualquier cambio.
Peso y dimensiones son aproximados.

■ SPECIFICATIONS

Type	3-voies, 3-haut-parleurs
Haut-parleurs	Graves: 14 cm type a cone Moyennes: 12 cm type a cone Aguis: 6 cm type a cone
Impédance	6 Ω
Entrée maximale	70 W (Musique)
Niveau de pression sonore de sortie	84 dB/W (1.0 m)
Fréquence de comutation	200 Hz, 4 kHz
Gamme de fréquences	46Hz - 22kHz (-16 dB) 50Hz - 20kHz (-10 dB)
Dimensions (W x H x D)	254 x 416 x 246 mm
Poids	5,6 kg

Notes :

Sujet à changement sans preavis.
Poids et dimensions sont aproximatif.

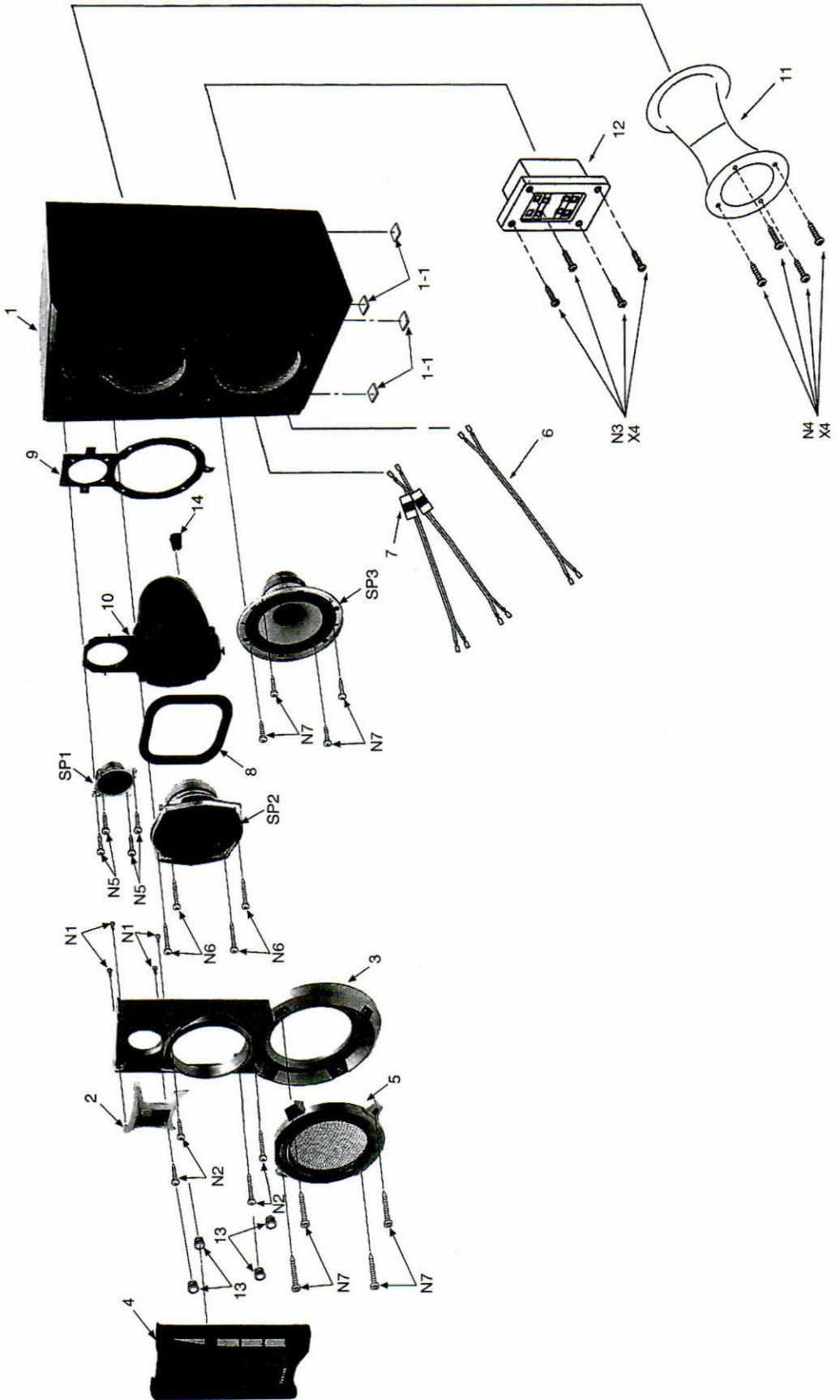
⚠ WARNING

This service information is designed for experience repair technicians only and is not designed for use by the general public. It does not contain warnings or cautions to advise non-technical individuals of potential dangers in attempting to service a product. Products powered by electricity should be serviced or repaired only by experienced professional technicians. Any attempt to service or repair the product or products dealt with in this service information by anyone else could result in serious injury or death.

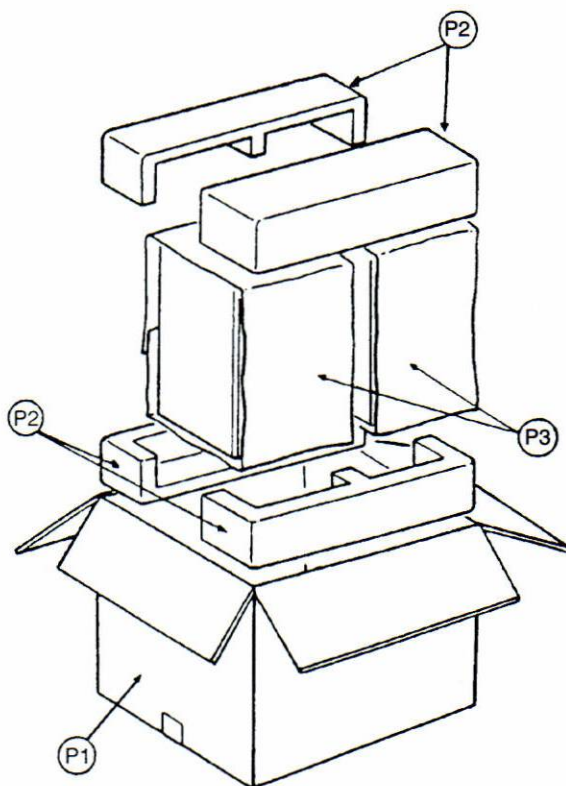
Technics®

© 1998 Panasonic Spain.
All rights reserved. Unauthorized copying and distribution is a violation of law.

■ Cabinet Parts Location

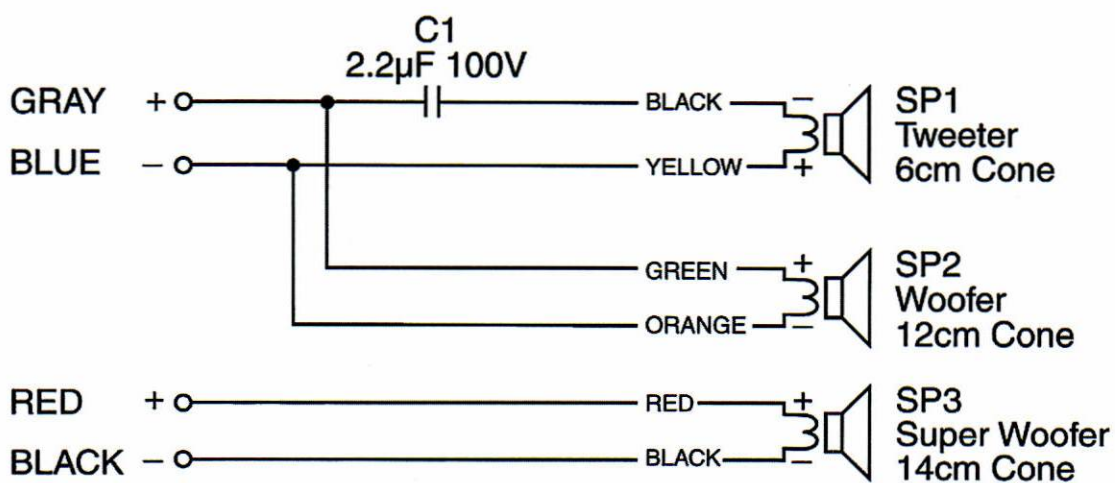


■ PACKAGING



■ Schematic Diagram

This schematic diagram may be modified at any time with development of new technology.



■ Replacement Parts List

- Notes 1. Part numbers are indicated on most mechanical parts. Please use this part number for parts orders.
 2. MAES indicates parts that are supplied by MAES.
- Nota 1. El código está indicado en la mayoría de las piezas. Por favor use este código para sus pedidos.
 2. La indicación MAES significa recambios suministrados a través de MAES.

Ref. No.	Part No.	Part Name & Description	Remarks	Ref. No.	Part No.	Part Name & Description	Remarks
		CABINET AND CHASSIS					
1	RYK0919-M	CABINET ASS , Y	[MAES]	SP2	EASJ12P27A3	WOOFER	[MAES]
1-1	RKA0072 -K	LEGS	[MAES]	SP3	EAS14PL317L3	SUPER - WOOFER	[MAES]
2	RYQ0266-S	ORNAMENT TW	[MAES]			SCREW(S)	
3	RGP0734-S	FRONT PANEL	[MAES]	N1	XTB31BZ+8	SCREW ORNAMENT TW	[MAES]
4	RYB0216	NET FRAME	[MAES]	N2	XTNP42+20	SCREW FOR F. PANEL	[MAES]
5	RYQ0264-H	ORNAMENT WOOFER.	[MAES]	N 3	XTNP42+20 FG	SCREW B. TERMINAL	[MAES]
6	SWXPEH600	CABLE SUPER WOOFER	[MAES]	N 4	XTN42+20FG	SCREW BASS REFLEX	[MAES]
7	REE0903	CAPACITOR ASS'Y	[MAES]	N 5	XTN42+25	SCREW TWEETER	[MAES]
8	RMQ0684A	GASKET FOR WOOFER	[MAES]	N 6	XTN42+32	SCREW WOOFER	[MAES]
9	RMQ0880	GASKET FOR BACKCAVITY	[MAES]	N 7	XTN42+16	SCREW SUPER WOOFER	[MAES]
10	RMR1233-K	BACK CAVITY	[MAES]	N 8	SNES4+40FG	SCREW ORNAMENT W.	[MAES]
11	RKTP0029-K	BASS REFLEX	[MAES]			CAPACITOR (S)	
12	RJH5411-1	BASE TERMINAL	[MAES]	C 1	ECEA1HAY2R2	CAPACITOR 2,2 μ F	[MAES]
13	SHG8G9044	NET HOLDER	[MAES]			PACKING MATERIALS	
14	SHGS8G9071	CORD BUSH	[MAES]	P1	RPG4381	CARTON BOX	[MAES]
		SPEAKER (S)		P2	RPN1198A	PAD UP/DOWN	[MAES]
SP1	EASJ6PH03B3	TWEETER	[MAES]	P3	SPH8G415	SHEET	[MAES]