

# Service Manual

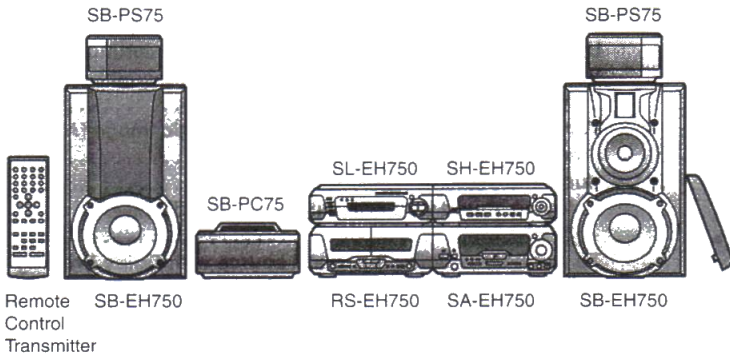
## Speaker System

# SB-EH750

Hi-Fi Speaker System

Colour

(S) . . . . . Silver Type



## ■ SPECIFICATIONS

<b>Type</b>	3 way ,3 speaker system
<b>Speaker</b>	Woofer: 17 cm cone type Mid range: 12 cm cone type Tweeter: 6 cm semi-dome type
<b>Impedance</b>	6 $\Omega$
<b>Input power</b>	160 W (MUSIC)
<b>Output sound pressure level</b>	84 dB/W (1.0 m)
<b>Cross over frequency</b>	200 Hz, 4kHz
<b>Frequency range</b>	42 Hz - 40 kHz (-16 dB) 46Hz - 36kHz (-10 dB)
<b>Dimensions (W x H x D)</b>	254 x 416 x 246 mm
<b>Weight</b>	5,9 kg

### Notes:

Specifications are subject to change without notice.  
Weight and dimensions are approximate.

## ■ ESPECIFICACIONES

<b>Tipo</b>	Sistema con 3 vias, 3 altavoces
<b>Altavoces</b>	Graves: 17 cm tipo cónico Medios: 12 cm tipo cónico Agudos: 6 cm tipo semi -cúpula
<b>Impedancia</b>	6 $\Omega$
<b>Capacidad de potencia</b>	160W (Músicales)
<b>Nivel de presión acústica de salida</b>	84 dB/W (1.0 m)
<b>Frecuencia de cruce</b>	200 Hz, 4 kHz
<b>Respuesta de frecuencias</b>	42Hz - 40kHz (-16 dB) 46Hz - 36kHz (-10 dB)
<b>Dimensiones (W x H x D)</b>	254 x 416 x 278 mm
<b>Peso</b>	5,9 kg

### Nota:

Estas especificaciones están sujetas a cualquier cambio.  
Peso y dimensiones son aproximados.

## ■ SPECIFICATIONS

<b>Type</b>	3-voies , 3-haut-parleurs
<b>Haut-parleurs</b>	Graves: 17 cm type a cone Moyennes: 12 cm type a cone Aguis: 6 cm type a semi-dome
<b>Impédance</b>	6 $\Omega$
<b>Entrée maximale</b>	160 W (Musique)
<b>Niveau de pression sonore de sortie</b>	84 dB/W (1.0 m)
<b>Fréquence de conmutation</b>	200 Hz, 4 kHz
<b>Gamme de fréquences</b>	42Hz - 40kHz (-16 dB) 46Hz - 36kHz (-10 dB)
<b>Dimensions (W x H x D)</b>	254 x 416 x 246 mm
<b>Poids</b>	5,9 kg

### Notes:

Subject à changement sans preavis.  
Poids et dimensions sont approximatifs.

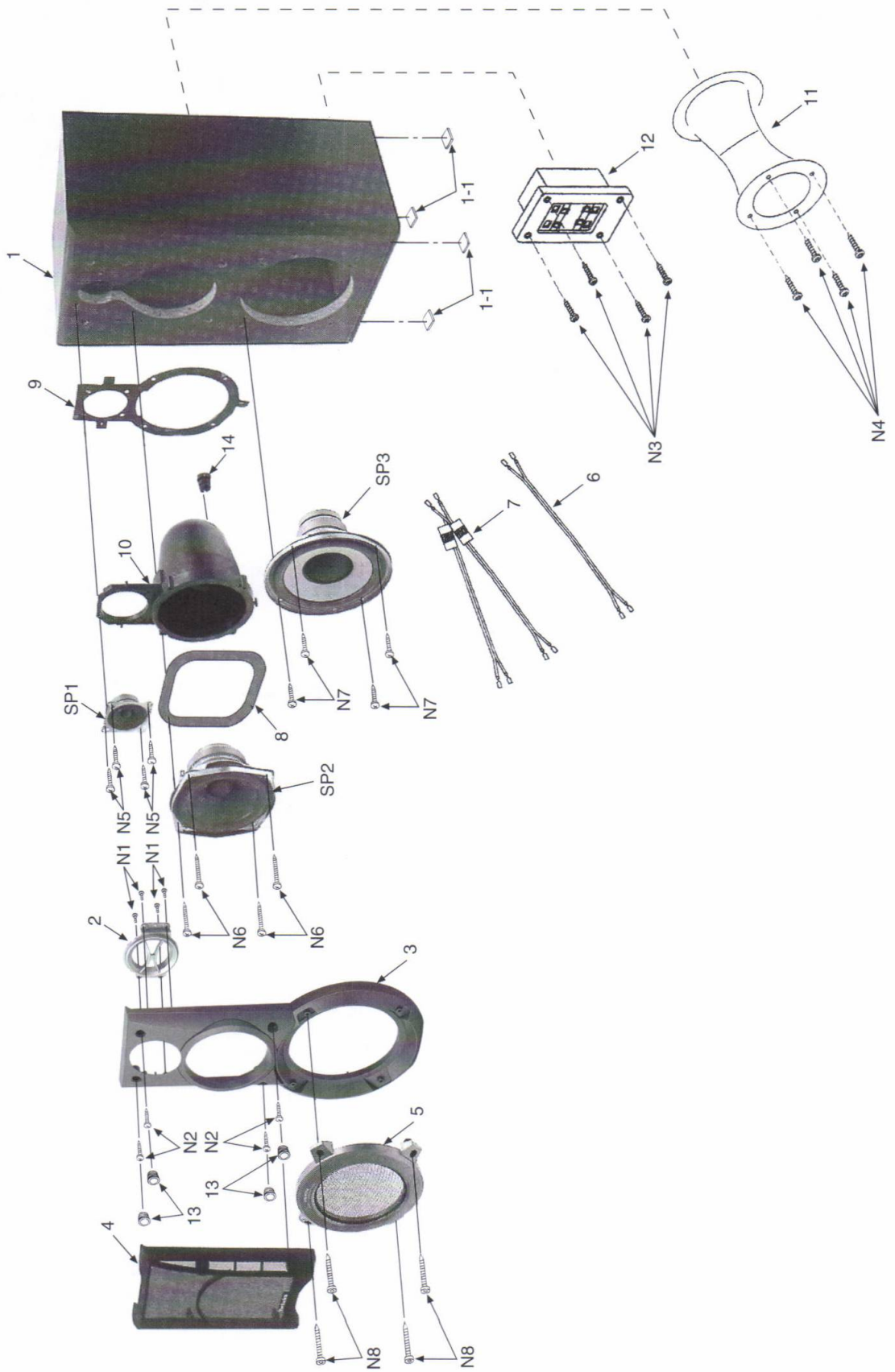
## ⚠ WARNING

This service information is designed for experience repair technicians only and is not designed for use by the general public. It does not contain warnings or cautions to advise non-technical individuals of potential dangers in attempting to service a product. Products powered by electricity should be serviced or repaired only by experienced professional technicians. Any attempt to service or repair the product or products dealt with in this service information by anyone else could result in serious injury or death.

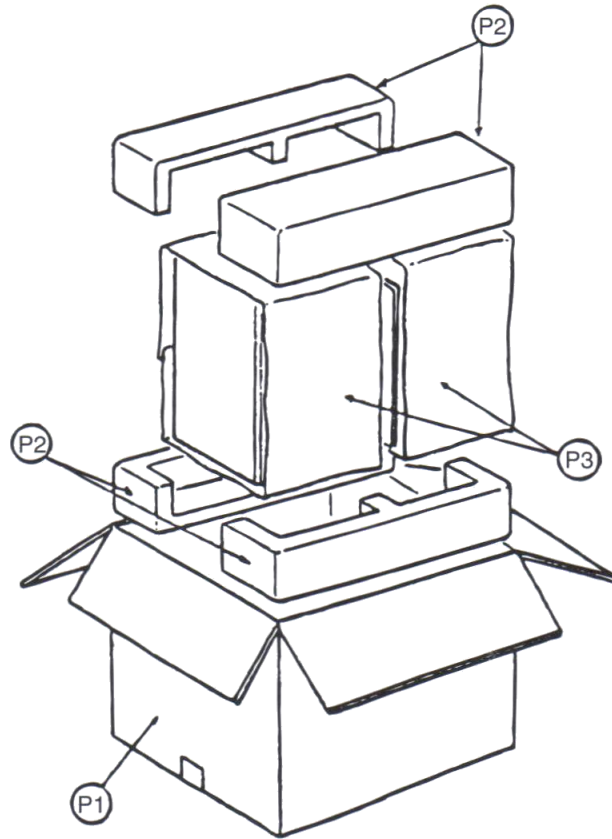
# Technics®

© 1999 Matsushita Electric España, S.A.  
All rights reserved. Unauthorized copying and distribution is a violation of law.

# ■ CABINET PARTS LOCATION

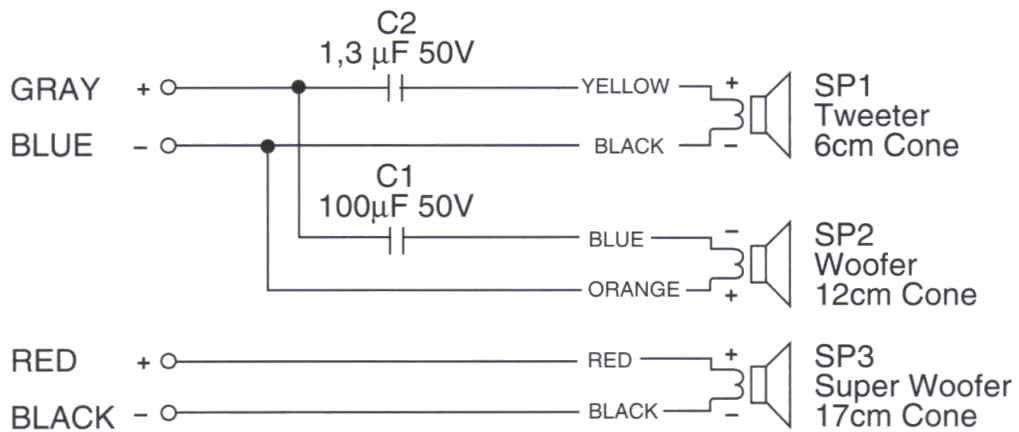


## ■ PACKAGING



## ■ SCHEMATIC DIAGRAM

This schematic diagram may be modified at any time with development of new technology.



## REPLACEMENT PARTS LIST

Notes 1. Part numbers are indicated on most mechanical parts . Please use this part number for parts orders.

2. MAES indicates parts that are supplied by MAES.

Nota 1. El código está indicado en la mayoría de las piezas .por favor use este codigo para sus pedidos.

2. La indicación MAES significa recambios suministrados a través de MAES.

Ref. No.	Part No.	Part Name & Description	Remarks
		<b>CABINET AND CHASSIS</b>	
1	RYK0918-M	CABINET ASS , Y	[MAES]
1-1	RKA0072 -K	LEGS	[MAES]
2	RGP0733-S	ORNAMENT TW	[MAES]
3	RGP0731-S	FRONT PANEL	[MAES]
4	RYB0214	NET FRAME	[MAES]
5	RYQ0264-H	ORNAMENT WOOFER.	[MAES]
6	SWXPEH600	CABLE SUPER WOOFER	[MAES]
7	REE0902	CAPACITOR ASS'Y	[MAES]
8	RMQ0684A	GASKET FOR WOOFER	[MAES]
9	RMQ0880	GASKET FOR BACKCAVITY	[MAES]
10	RMR1232-K	BACK CAVITY	[MAES]
11	RKTP0029-K	BASS REFLEX	[MAES]
12	RJH5411-1	BASE TERMINAL	[MAES]
13	SHG8G9044	NET HOLDER	[MAES]
14	SHGS8G9071	CORD BUSH	[MAES]
		<b>SPEAKER (S)</b>	
SP1	EAST6PH04B6	TWEETER	[MAES]
Ref. No.	Part No.	Part Name & Description	Remarks
SP2	EAST12P05B6	WOOFER	[MAES]
SP3	RAS16PL02-V	SUPER - WOOFER	[MAES]
		<b>SCREW(S)</b>	
N1	XTB31BZ+8	SCREW ORNAMENT TW	[MAES]
N2	XTNP42+20	SCREW FOR F. PANEL	[MAES]
N3	XTNP42+20 FG	SCREW B. TERMINAL	[MAES]
N4	XTN42+20 FG	SCREW BASS REFLEX	[MAES]
N5	XTN42+32	SCREW TWEETER	[MAES]
N6	XTN42+32	SCREW WOOFER	[MAES]
N7	XTN42+16	SCREW SUPER WOOFER	[MAES]
N8	SNES4+40FG	SCREW ORNAMENT W.	[MAES]
		<b>CAPACITOR ( S )</b>	
C1	ECEA50Y100KE	CAPACITOR 100 $\mu$ F	[MAES]
C2	ECEA1HAY1R3	CAPACITOR 1,3 $\mu$ F	[MAES]
		<b>PACKING MATERIALS</b>	
P1	RPG4372	CARTON BOX	[MAES]
P2	RPN1198A	PAD UP/DOWN	[MAES]
P3	SPH8G415	SHEET	[MAES]