

# Service Manual

## Speaker System

# SB-M300M2

Hi-Fi Speaker System

Colour

(K) . . . . .	Black Type
(M) . . . . .	Wood Grain Type



SB-M300M2

## ■ SPECIFICATIONS

<b>Type Speaker</b>	3 way, 4 speaker system Woofer: Dual Dinamic Drive System 18 cm pasive radiator 14cm cone type driver unit Midrange: 14 cm cone type Tweeter: 2,5 cm dome type
<b>Impedance Input power</b>	6 $\Omega$ 140 W (MUSIC) 70 W (DIN)
<b>Output sound pressure level</b>	85dB/W (1.0 m)
<b>Cross over frequency</b>	160 Hz, 2,5kHz
<b>Frequency range</b>	40Hz - 70kHz (-16 dB) 47Hz - 55kHz (-10 dB)
<b>Dimensions (W x H x D)</b>	214 x 386 x 335 mm
<b>Weight</b>	10 kg

**Notes :**  
Specifications are subject to change without notice.  
Weight and dimensions are approximate.

## ■ ESPECIFICACIONES

<b>Tipo Altavoces</b>	Sistema con 3 vias, 4 altavoces Graves: Dual Dinamic Drive System Radiador pasivo de 18 cm Activo tipo cónico de 14 cm Medios: 14 cm tipo cónico Agudos: 2,5 cm tipo cúpula
<b>Impedancia</b>	6 $\Omega$
<b>Capacidad de potencia</b>	140W (Músicales) 70W (DIN)
<b>Nivel de presión acústica de salida</b>	85 dB/W (1.0 m)
<b>Frecuencia de cruce</b>	160 Hz, 2,5 kHz
<b>Respuesta de frecuencias</b>	40Hz - 70kHz (-16 dB) 47Hz - 55kHz (-10 dB)
<b>Dimensiones (W x H x D)</b>	214 x 386 x 335 mm
<b>Peso</b>	10 kg

**Nota:**  
Estas especificaciones están sujetas a cualquier cambio.  
Peso y dimensiones son aproximados.

## ■ SPECIFICATIONS

<b>Type Haut-parleurs</b>	3-voies, 4-haut-parleurs Graves: Dual Dinamic Drive System 18 cm diffuseur pasive 14cm type a cone excitateur active Moyennes: 14 cm type a cone Aguis: 2,5 cm type dome
<b>Impédance Entrée maximale</b>	6 $\Omega$ 140 W (Musique) 70W(DIN)
<b>Niveau de pression sonore de sortie</b>	85 dB/W (1.0 m)
<b>Fréquence de conmutation</b>	160 Hz, 2,5 kHz
<b>Gamme de fréquences</b>	40Hz - 70kHz (-16 dB) 47Hz - 55kHz (-10 dB)
<b>Dimensions (W x H x D)</b>	214 x 386 x 335 mm
<b>Poids</b>	10kg

**Notes :**  
Sujet à changement sans preavis.  
Poids et dimensions sont approximatifs.

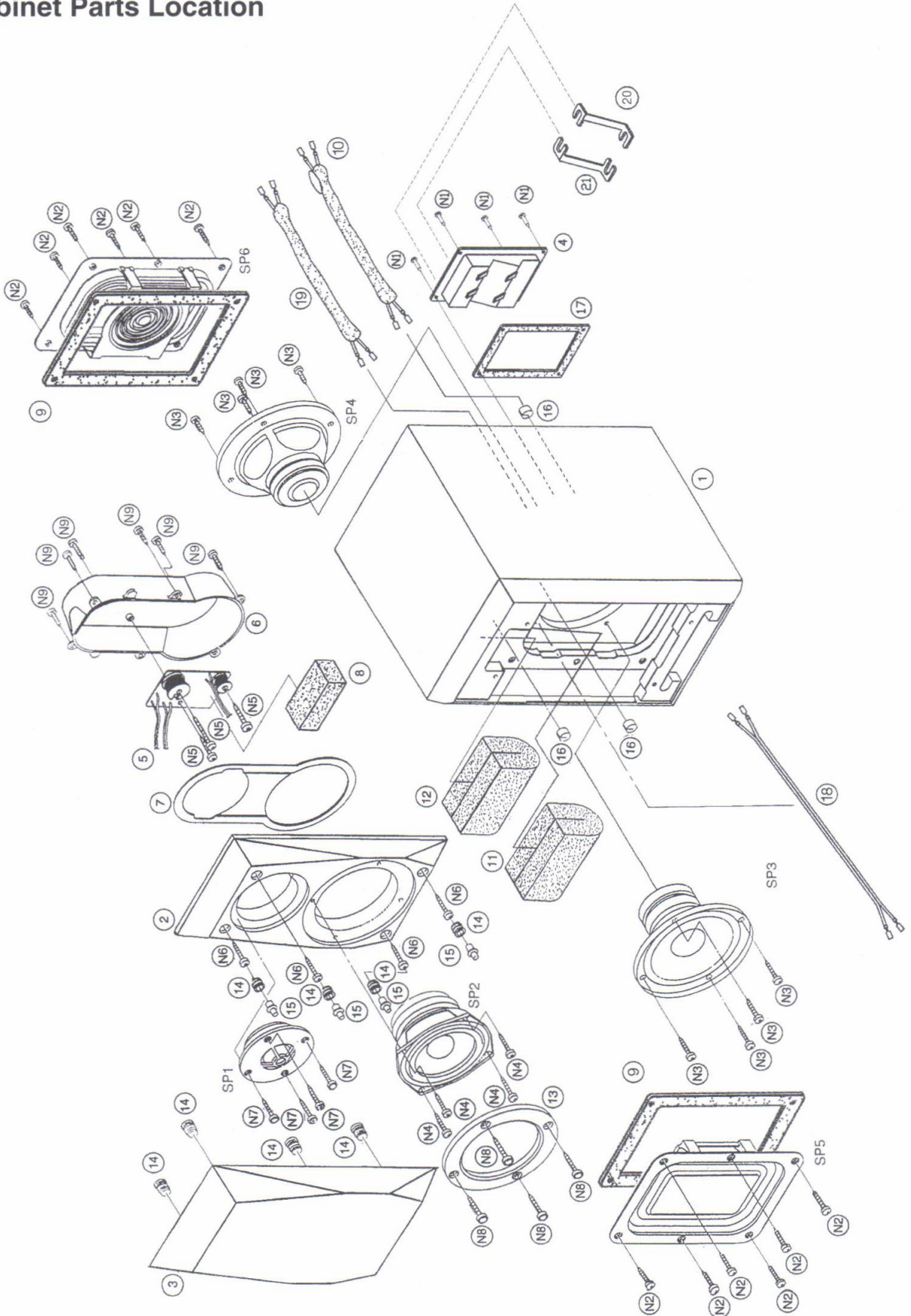
### ⚠ WARNING

This service information is designed for experience repair technicians only and is not designed for use by the general public. It does not contain warnings or cautions to advise non-technical individuals of potential dangers in attempting to service a product. Products powered by electricity should be serviced or repaired only by experienced professional technicians. Any attempt to service or repair the product or products dealt with in this service information by anyone else could result in serious injury or death.

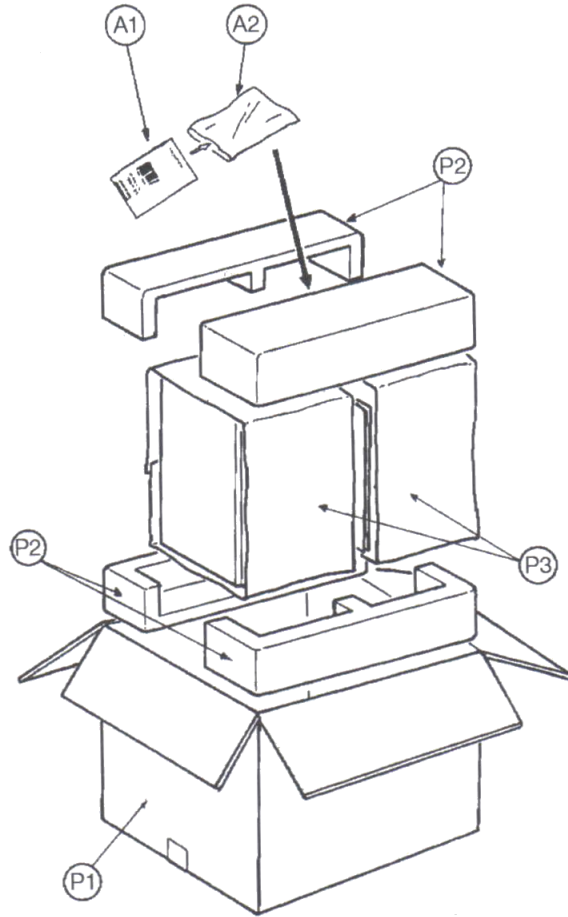
# Technics®

© 1999 Matsushita Electric España, S.A.  
All rights reserved. Unauthorized copying and distribution is a violation of law.

# ■ Cabinet Parts Location



## ■ Packaging

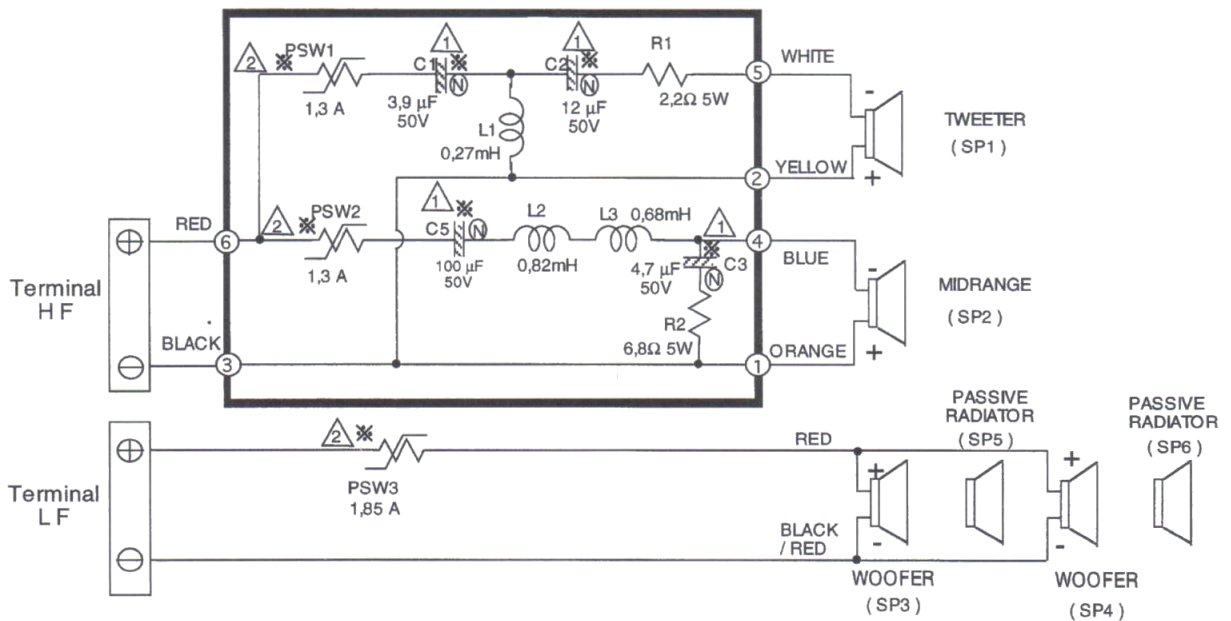


## ■ Schematic Diagram

This schematic diagram may be modified at any time with development of new technology.

NON POLAR CAPACITOR

POLY SWITCH





## ■ Replacement Parts List

Notes 1. Part numbers are indicated on most mechanical parts. Please use this part number for parts orders.

2. MAES indicates parts that are supplied by MAES.

Nota 1. El código está indicado en la mayoría de las piezas. por favor use este código para sus pedidos.

2. La indicación MAES significa recambios suministrados a través de MAES.

Ref. No.	Part No.	Part Name & Description	Remarks	Ref. No.	Part No.	Part Name & Description	Remarks
		<b>SPEAKER (S)</b>					
SP1	EAST25KH05A6	TWEETER	MAES	9	RMQP0589A	GASKET P. RADIATOR	MAES
SP2	EAST12PL12A6	MIDRANGE	MAES	10	REXPM300M2WT	CABLE L.F ASS'Y	MAES
SP3	EAST14PL12A6	WOOFER	MAES	11	RFAP0594	ABSORVER	MAES
SP4	EAST14PL12A6	WOOFER	MAES	12	RFAP0585-1	ABSORVER	MAES
SP5	EAST18SY03A6	PASSIVE RADIATOR	MAES	13	RGKP0719KE	ORNAMENT MIDRANGE	MAES
SP6	EAST18SY03A6	PASSIVE RADIATOR	MAES	14	SHG8G9044	NET HOLDER	MAES
		<b>COIL(S)</b>		15	RMQP0455-2	CATCH PIN	MAES
L1	SLCP271J7	CHOQUE COIL 0,27mH	MAES	16	SHGS8G9071	GASKET	MAES
L2	SLCP821J7	CHOQUE COIL 0,82mH	MAES	17	RMQP0589B	GASKET BASE TERMINAL	MAES
L2	SLCP681J7	CHOQUE COIL 0,68mH	MAES	18	REXPM500A	CABLE H.F ASS'Y	MAES
		<b>CAPACITOR (S)</b>		19	REXPM300W	INTERCONEXION CABLE	MAES
C1	ECEA1JPY3R9E	CAPACITOR 3,9μF 50V	MAES	20	RJR0155	SHORT BAR +	MAES
C2	ECEA50YT12KE	CAPACITOR 12μF 50V	MAES	21	RJR0156	SHORT BAR -	MAES
C3	ECEA50YT4R7KE	CAPACITOR 4,7μF 50V	MAES			<b>SCREW(S)</b>	
C5	ECEA50YT100KE	CAPACITOR 100μF 50V	MAES	N1	XTNP42+25FG	SCREW TERMINAL BLOCK	MAES
		<b>RESISTOR (S)</b>		N2	XTN42+25FG	SCREW PASSIVE RADIATOR	MAES
R1	ERX5SJ2R2P	RESISTOR 2,2Ω 5W	MAES	N3	XTN42+20	SCREW WOOFER	MAES
R2	ERX5SJ6R8P	RESISTOR 6,8Ω 5W	MAES	N4	XTN42+16	SCREW MIDRANGE	MAES
		<b>POLY SWITCH</b>		N5	XTBS42BZ+8	SCREW NETWORK ASS'Y	MAES
PSW1	RRSSPK130	POLY SWITCH 1,3A	MAES	N6	XTN42+25	SCREW FRONT PANEL	MAES
PSW2	RRSSPK130	POLY SWITCH 1,3A	MAES	N7	SNES4+20FG	SCREW TWEETER	MAES
PSW3	SSBSRXE185	POLY SWITCH 1,8A	MAES	N8	SNES5+22FG	SCREW ORNAMENT MID.	MAES
		<b>CABINET ASS'Y</b>		N9	XTN42+16	SCREW CAVITY.	MAES
1	SYMPM300M2M	CABINET ASS'Y (-M)	MAES			<b>ACCESORIES</b>	
1	SYMPM300M2K	CABINET ASS'Y (-K)	MAES	A 1	RQT5060-E	INSTRUCTION BOX	MAES
2	RYKPM300M2KF	FRONT PANEL	MAES	A 2	XZBA4	BAG	MAES
3	SYBPM300M2M	NET FRAME(-M)	MAES			<b>PACKING PARTS</b>	
3	SYBPM300M2K	NET FRAME(-K)	MAES	P1	RPG4468	CARTON BOX(-K)	MAES
4	REJ0076	TERMINAL BLOCK	MAES	P1	RPG4467	CARTON BOX(-M)	MAES
5	SXPPM300M2	NETWORK ASS'Y	MAES	P2	SPSPM300M2	PAD	MAES
6	RMRP0847-K2	CAVITY	MAES	P3	SPH8G415	SHEET	MAES
7	RMQP0849	PACKING CAVITY	MAES				
8	RFAP0584	ABSORVER PCB	MAES				