

Service Manual

Speaker System

SB-M800

Hi-Fi Speaker System

Colour

(M) Wood Grain Type



■ SPECIFICATIONS

Type Speaker	3 way ,5 speaker system Woofer: Dual Dinamic Drive System 18 cm pasive radiator (x 3) 14cm cone type driver unit (x 3) Midrange: 14 cm cone type Tweeter: 2,5 cm dome type
Impedance	6 Ω
Input power	200 W (MUSIC) 100 W (DIN)
Output sound pressure level	86db/W (1.0 m)
Cross over frequency	90Hz, 3kHz
Frequency range	30Hz - 100kHz (-16 dB) 40Hz - 90kHz (-10 dB)
Dimensions (W x H x D)	240 x 990 x 370 mm
Weight	28 kg

Notes:

Specifications are subject to change without notice.
Weight and dimensions are approximate.

■ ESPECIFICACIONES

Tipo Altavoces	Sistema con 3 vias, 5 altavoces Graves: Dual Dinamic Drive System Radiador pasivo de 18 cm (x 3) Activo tipo cónico de 14 cm (x 3) Medios: 14 cm tipo cónico Agudos: 2,5 cm tipo cúpula
Impedancia	6 Ω
Capacidad de potencia	200W (Músicales) 100W (DIN)
Nivel de presión acústica de salida	86 dB/W (1.0 m)
Frecuencia de cruce	90 Hz, 3 kHz
Respuesta de frecuencias	30Hz - 100kHz (-16 dB) 40Hz - 90kHz (-10 dB)
Dimensiones (W x H x D)	240 x 990 x 370 mm
Peso	28 kg

Nota:

Estas especificaciones están sujetas a cualquier cambio.
Peso y dimensiones son aproximados.

■ SPECIFICATIONS

Type Haut-parleurs	3-voies, 5-haut-parleurs Graves: Dual Dinamic Drive System 18 cm diffuseur pasive (x 3) 14cm type a cone excitateur active (x 3) Moyennes: 14 cm type a cone Aguis: 2,5 cm type dome
Impédance	6 Ω
Entrée maximale	200 W (Musique) 100W(DIN)
Niveau de pression sonore de sortie	86 dB/W (1.0 m)
Fréquence de conmutation	90 Hz, 3 kHz
Gamme de fréquences	30Hz - 100kHz (-16 dB) 40Hz - 90kHz (-10 dB)
Dimensions (W x H x D)	240 x 990 x 370 mm
Poids	28 kg

Notes:

Subject à changement sans preavis.
Poids et dimensions sont aproximatifis.

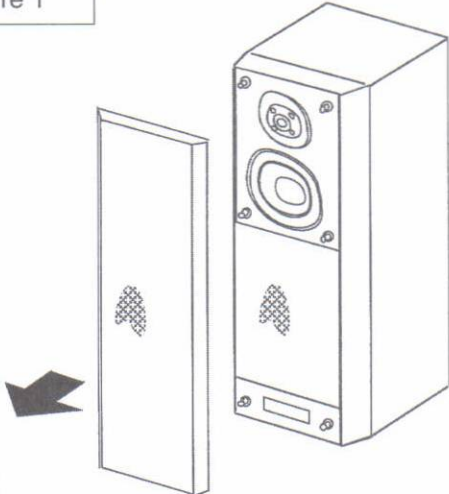
⚠ WARNING

This service information is designed for experience repair technicians only and is not designed for use by the general public. It does not contain warnings or cautions to advise non-technical individuals of potential dangers in attempting to service a product. Products powered by electricity should be serviced or repaired only by experienced professional technicians. Any attempt to service or repair the product or products dealt with in this service information by anyone else could result in serious injury or death.

DISASSEMBLY INSTRUCTIONS

Ref. No. 1	Removal of the Speaker Nets	Ref. No. 2	Removal of Speaker Midrange
------------	-----------------------------	------------	-----------------------------

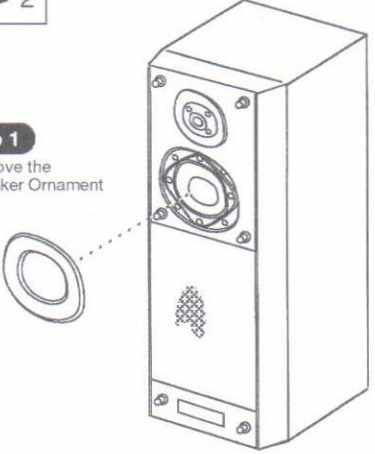
Procedure 1



Step 1

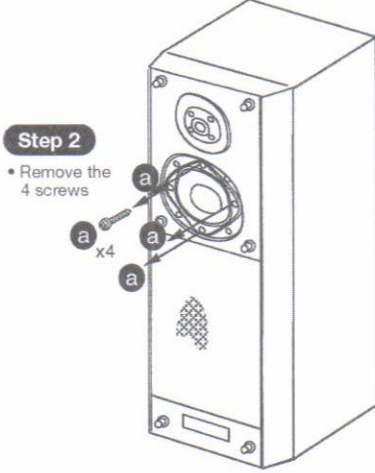
- Remove the Speaker Net in the direction of the arrows.

Procedure 1 → 2



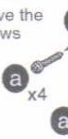
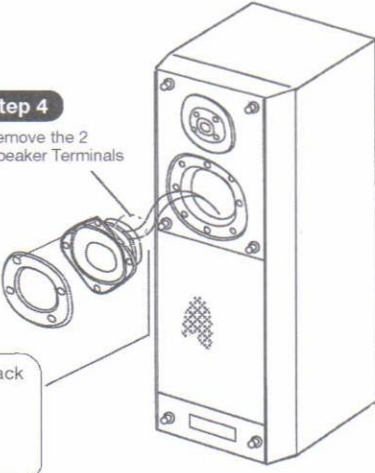
Step 1

- Remove the Speaker Ornament



Step 2

- Remove the 4 screws

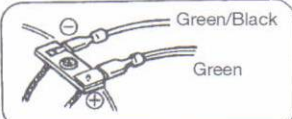




Step 3

- Remove the Midrange Ring and Speaker Midrange in the direction of front part.

Step 4

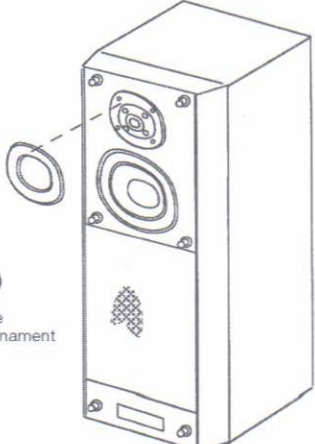
- Remove the 2 Speaker Terminals

Screw \varnothing 4,2 x 25 mm


Ref. No. 3	Removal of Speaker Tweeter
------------	----------------------------

Procedure 1 → 3



Step 1

- Remove the Speaker Ornament



Screw \varnothing 4,2 x 20 mm



Step 2

- Remove the 4 screws

Ref. No. 4

Removal of the Front Panel

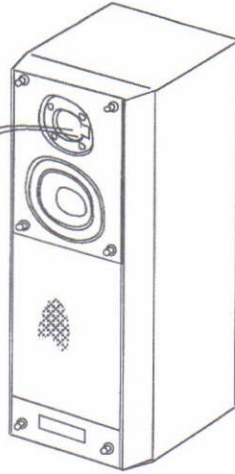
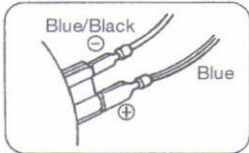
Procedure 1 → 4

Step 3

- Remove the Speaker Tweeter in the direction of front part.

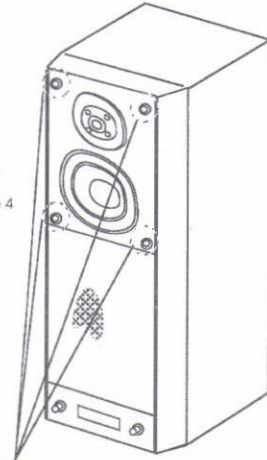
Step 4

- Remove the 2 Speaker Terminals



Step 2

- Remove the 4 Net Holder



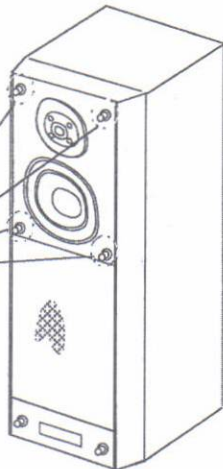
Step 1

- Remove the 4 Catch pin

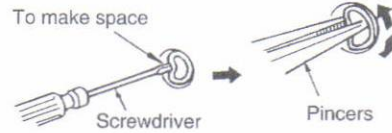
■ Removal of the Catch Pin



Put the tape in Catch Pin



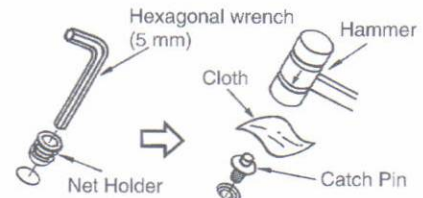
■ Removal of the Net Holder



- To use a screwdriver ⊖ and make space between the front panel and the Net Holder.
 - To insert the pincers type point and take the Net Holder to rotate.
- ※ Pay attention not to break the Net Holder. Please, they stock the Net Holder. (SHG8G9044).

■ Inserting the Net Holder and Catch Pin

- Insert the Net Holder using the 5 mm type hexagonal wrench or similar tool like rod.
- After inserting the Catch Pin, press the Catch Pin covering with cloth using the hammer or screwdriver grip.



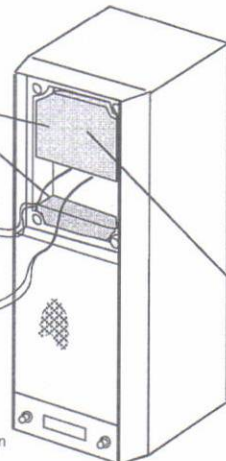
Step 3

- Remove the 4 screws



Step 4

- Remove the Front Panel in the direction of front part



ATTENTION

This absorber should cover the cables of the connection with the Speaker Midrange. So that they don't touch the cavity.



Screw ϕ 4,2 x 25 mm

Ref. No. 5

Removal of the Network Ass'y H.F

Procedure 1 → 2 → 3 → 4 → 5

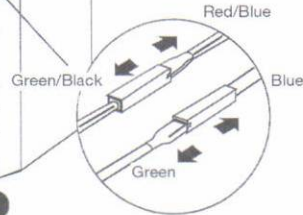
Step 1

- Remove the 2 Absorbers in the direction of arrows



Step 2

- Remove the 2 Terminals



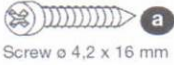
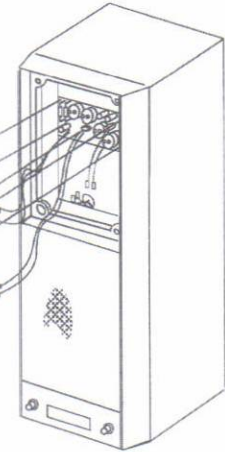
Step 3

- Remove the 5 Screws



Step 4

- Remove the Network ass'y in the direction of front part.



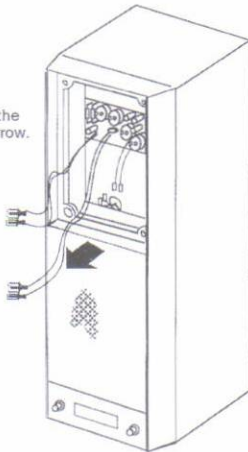
Ref. No. 6

Removal of the Speaker Woofer Frontal

Procedure 1 → 2 → 3 → 4 → 6

Step 1

- Remove the Net Frame in the direction of arrow.



ATTENTION

- When assembly the Passive Radiator put UP mark to upward.

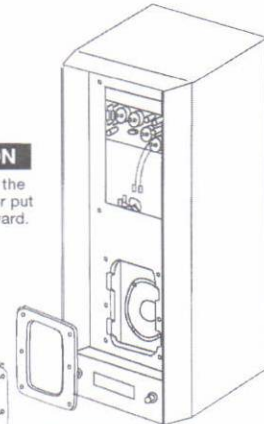
Step 2

- Remove the 6 screws



Step 3

- Remove the Passive Radiator and gasket.



Step 5

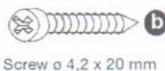
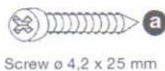
- Remove the absorber(s)

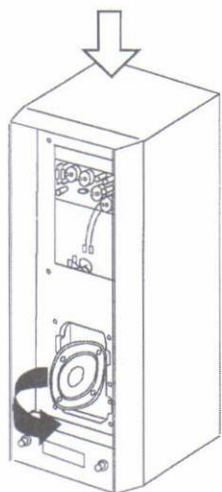
Absorbers (x 2)



Step 4

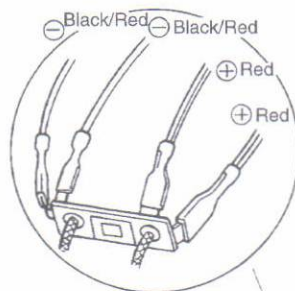
- Remove the 4 screws





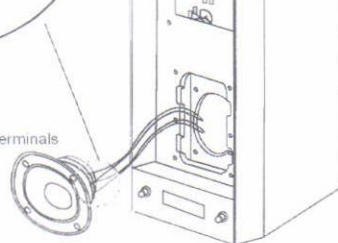
Step 6

- When remove the speaker tilting it as indicated in this picture



Step 7

- Remove the 4 Speaker Terminals



Ref. No. 7

Removal of the Speaker Woofer Down Rear

Procedure 7

ATTENTION

- When assembly the Passive Radiator put UP mark to upward.

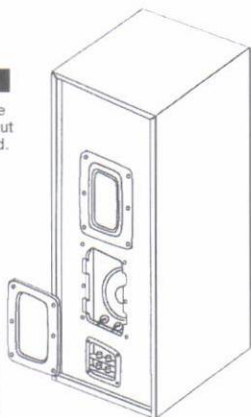
Step 1

- Remove the 6 Screws



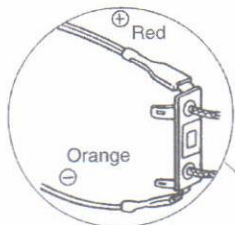
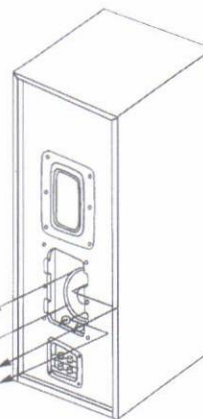
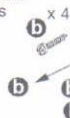
Step 2

- Remove the Passive Radiator and Gasket



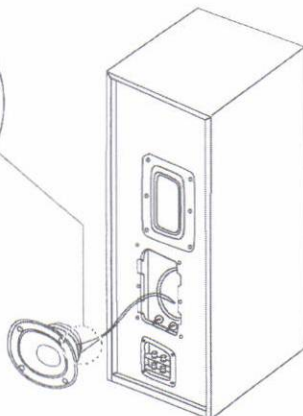
Step 3

- Remove the 4 Screws



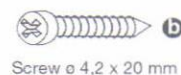
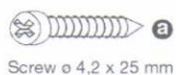
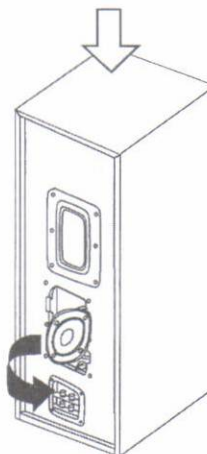
Step 5

- Remove the 2 Speaker Terminals



Step 4

- When remove the Speaker tilting it as indicated in this picture



Ref. No. 8

Removal of the Speaker Woofer Up Rear

Procedure 8

ATTENTION

- When assembly the Passive Radiator put UP mark to upward.

Step 1

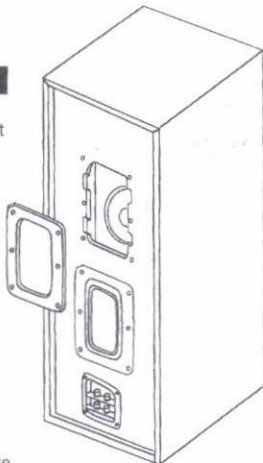
- Remove the 6 Screws

a x 6



Step 2

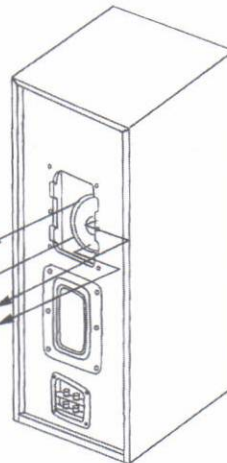
- Remove the Passive Radiator and Gasket



Step 3

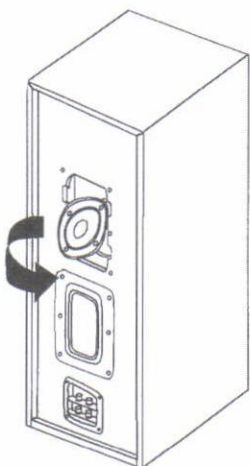
- Remove the 4 Screws

b x 4



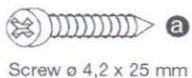
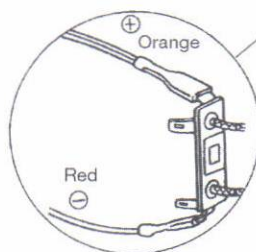
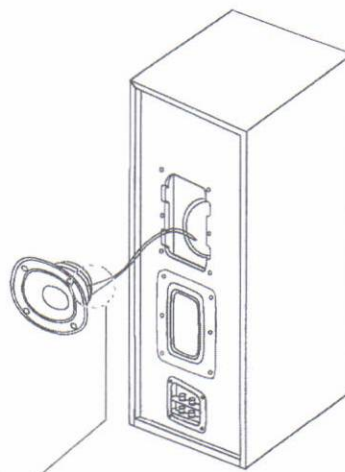
Step 4

- When remove the Speaker tilting it as indicated in this picture



Step 5

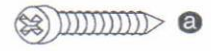
- Remove the 2 Speaker Terminals



Ref. No. 9

Removal of the Terminal Block

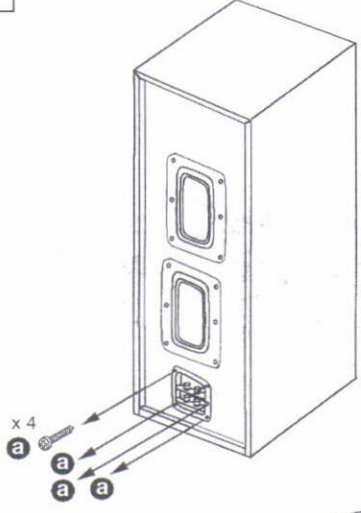
Procedure 9



Screw ø 4,2 x 25 mm

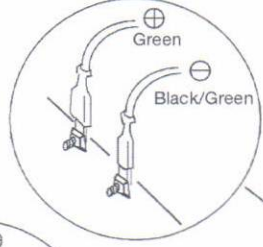
Step 1

- Remove the 4 Screws



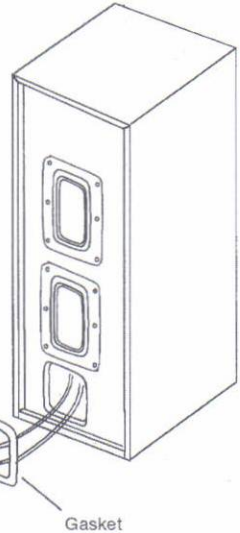
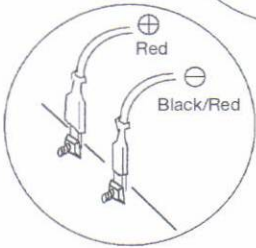
Step 2

- Remove the 2 Terminals HF



Step 3

- Remove the 2 Terminals LF



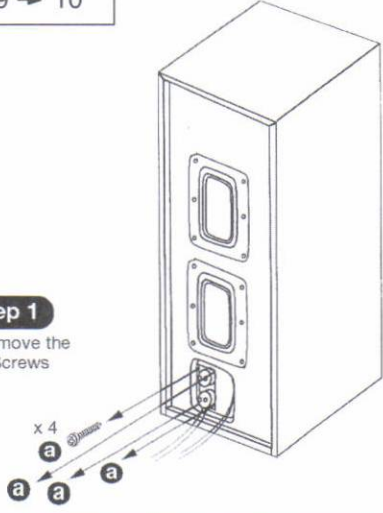
Ref. No. 10

Removal of Network Ass'y L.F

Procedure 9 → 10

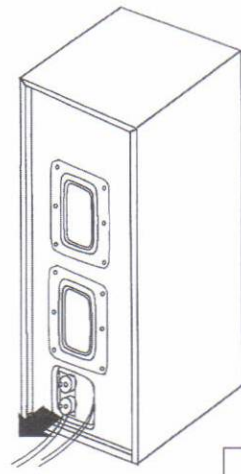
Step 1

- Remove the 4 Screws



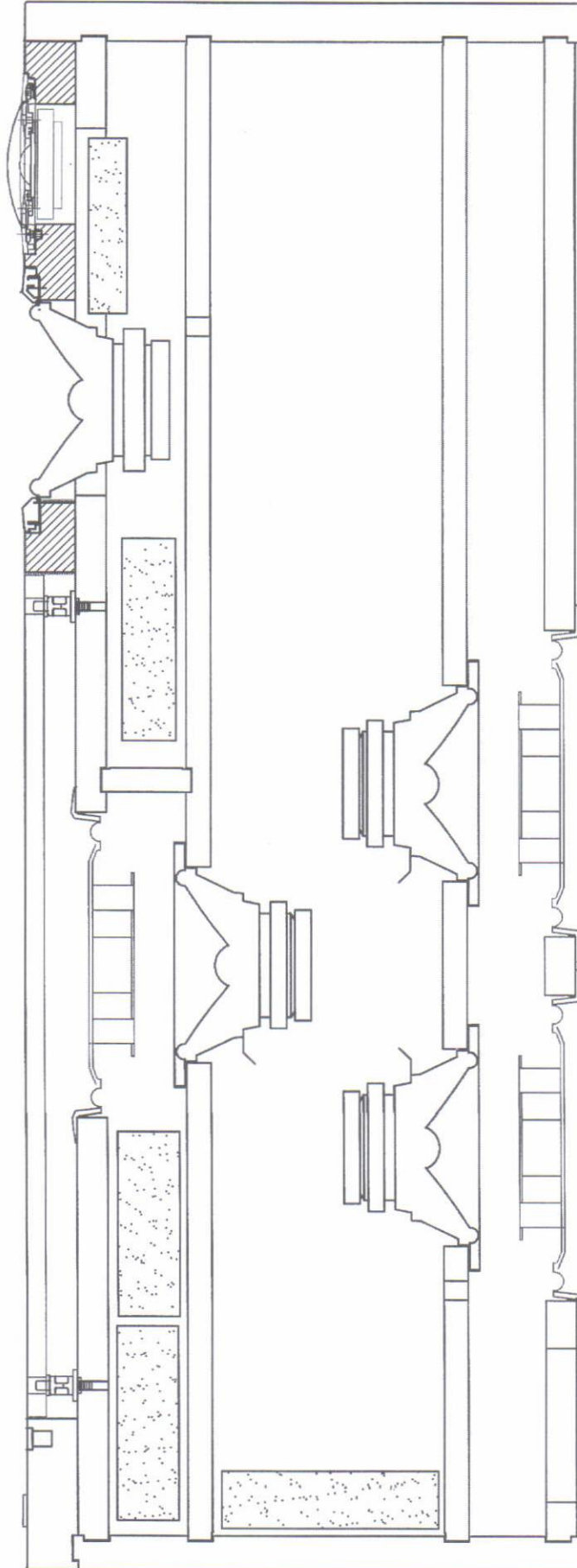
Step 2

- Remove the Network Ass'y in the direction of arrow



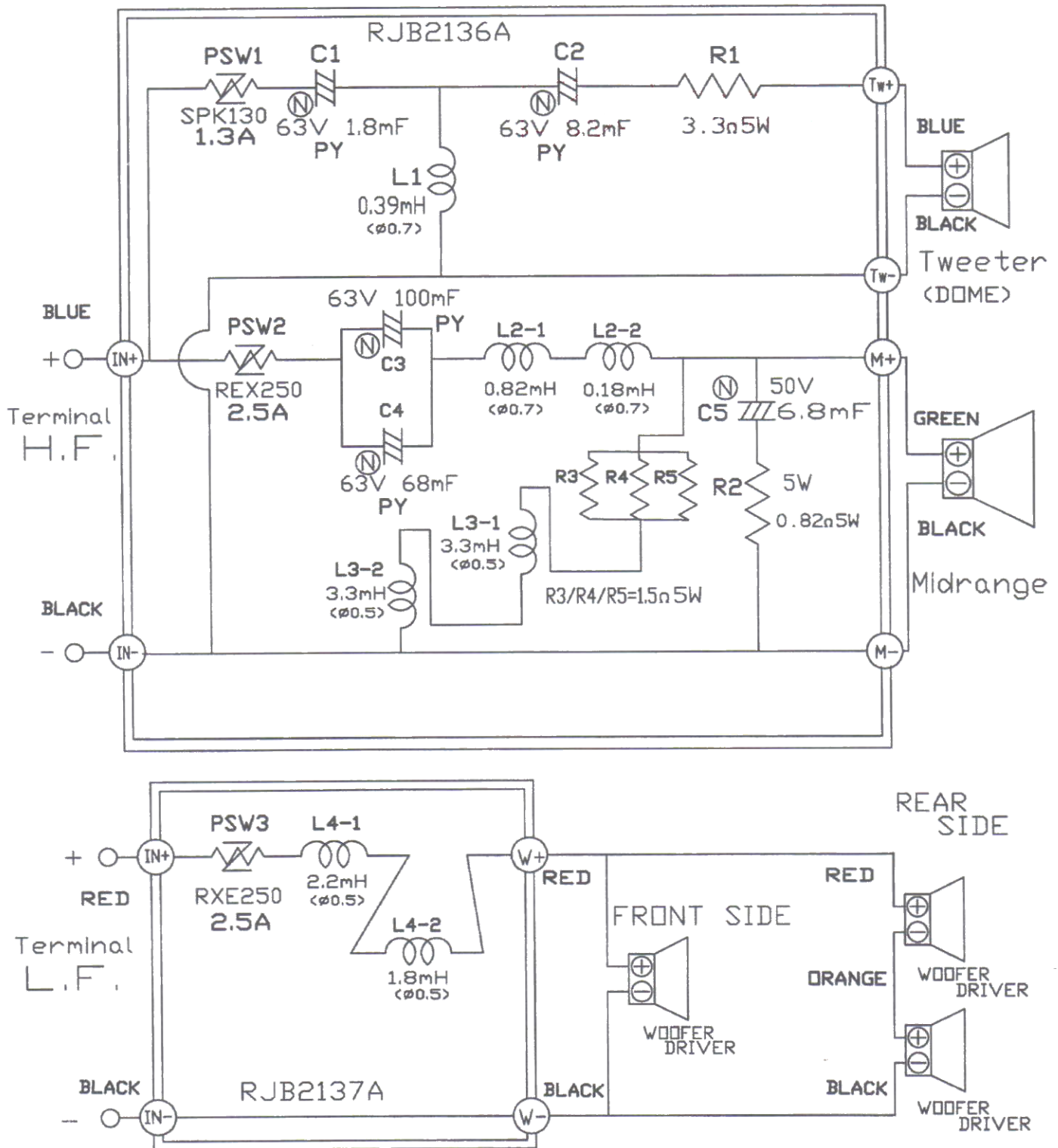
Screw ø 4,2 x 16 mm

■ SECTION VIEW

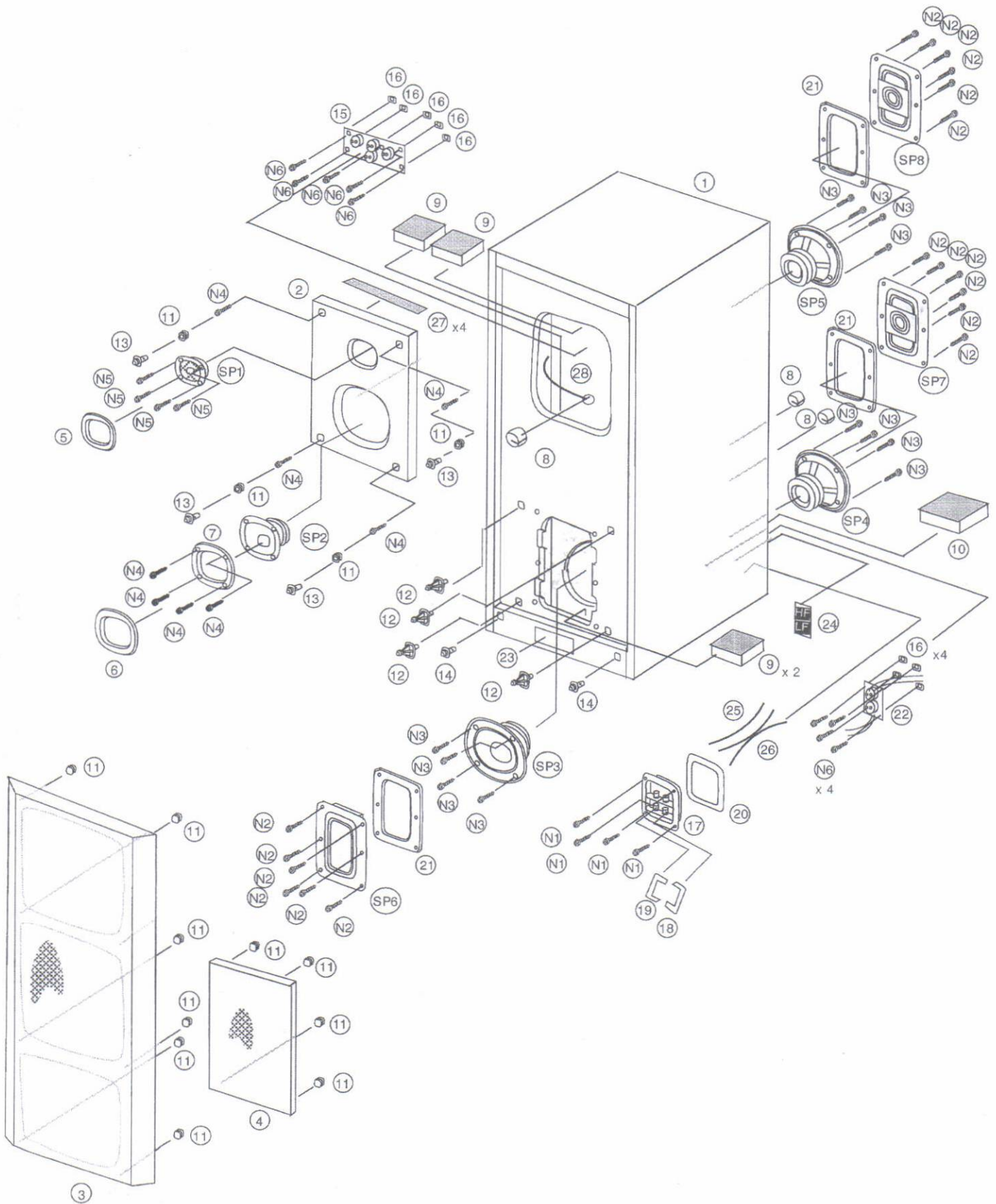


■ SCHEMATIC DIAGRAM

(This schematic diagram may be modified at any time with development of new technology)



EXPLODED VIEW



■ Replacement Parts List

Notes 1. Part numbers are indicated on most mechanical parts. Please use this part number for parts orders.

2. MAES indicates parts that are supplied by MAES.

Nota 1. El código está indicado en la mayoría de las piezas. Por favor use este código para sus pedidos.

2. La indicación MAES significa recambios suministrados a través de MAES.

Ref. No.	Part No.	Part Name & Description	Remarks
		SPEAKER (S)	
SP1	EAS25KH104A	TWEETER	MAES
SP2	EAST14PL14A6	MIDRANGE	MAES
SP3	EAST14PL12A6	WOOFER	MAES
SP4	EAST14PL12A6	WOOFER	MAES
SP5	EAST14PL12A6	WOOFER	MAES
SP6	EAST18SY03A6	PASSIVE RADIATOR	MAES
SP7	EAST18SY03A6	PASSIVE RADIATOR	MAES
SP8	EAST18SY03A6	PASSIVE RADIATOR	MAES
		COIL(S)	
L1	SLCP391J7	CHOQUE COIL 0,39mH	MAES
L2-1	SLCP821J7	CHOQUE COIL 0,82mH	MAES
L2-2	SLCP181J7	CHOQUE COIL 0,18mH	MAES
L3-1	SLCP332J	CHOQUE COIL 3,3mH	MAES
L3-2	SLCP332J	CHOQUE COIL 3,3mH	MAES
L4-1	SLCP222J	CHOQUE COIL 2,2mH	MAES
L4-2	SLCP182J	CHOQUE COIL 1,8mH	MAES
		CAPACITOR (S)	
C1	ECEA1JPY1R8	CAPACITOR 1,8 μ F 63V	MAES
C2	ECEA1JPY8R2	CAPACITOR 8,2 μ F 63V	MAES
C3	ECA1JPY101L	CAPACITOR 100 μ F 63V	MAES
C4	ECA1JPY680L	CAPACITOR 68 μ F 50V	MAES
C5	ECEA1JPY6R8	CAPACITOR 6,8 μ F 50V	MAES
		RESISTOR (S)	
R1	ERX5SJ3R3P	RESISTOR 3,3 Ω 5W	MAES
R2	ERX5SJR82P	RESISTOR 0,82 Ω 5W	MAES
R3	ERX5SJ1R5P	RESISTOR 1,5 Ω 5W	MAES
R4	ERX5SJ1R5P	RESISTOR 1,5 Ω 5W	MAES
R5	ERX5SJ1R5P	RESISTOR 1,5 Ω 5W	MAES
		POLY SWITCH	
PSW1	RRSSPK130	POLY SWITCH 1,3A	MAES
PSW2	SSBSRXE250	POLY SWITCH 2,5A	MAES
PSW3	SSBSRXE250	POLY SWITCH 2,5A	MAES
		CABINET ASS'Y	
1	RYK0949-M	CABINET ASS'Y	MAES
2	RYP0920-H	FRONT PANEL	MAES
3	RYB0222	NET FRAME ASS'Y(OUTSIDE)	MAES
4	RYB0223	NET FRAME ASS'Y(INSIDE)	MAES
5	RMGP0434-T	ORNAMENT TWEETER	MAES

Ref. No.	Part No.	Part Name & Description	Remarks
6	RMGP0436-T	ORNAMENT MIDRANGE	MAES
7	RGKP0837A-K	MIDRANGE RING	MAES
8	SHGS8G9071	GASKET	MAES
9	RFAP0585-1	ABSORBER	MAES
10	RFAP0594	ABSORBER	MAES
11	SHG8G9044	NET HOLDER	MAES
12	RMQP0619	CATCH PIN P.S	MAES
13	RMQP0455-2	CATCH PIN BLACK	MAES
14	RMQP0640	CATCH PIN GOLD	MAES
15	REP2852A	NETWORK ASS'Y H.F	MAES
16	SUDS12	SPACER P.C.B	MAES
17	REJ0076	BASE TERMINAL	MAES
18	RJR0155	SHORT BAR +	MAES
19	RJR0156	SHORT BAR -	MAES
20	RMQP0589B	GASKET BASE TERMINAL	MAES
21	RMQP0589A	GASKET PASSIVE RADIATOR	MAES
22	REP2879A	NETWORK ASS'Y L.F	MAES
23	RGBP0096-N	TECHNICS BADGE	MAES
24	SGTPHF/LF	HF/LF LABEL	MAES
25	REV12D250DD	INTERC. WIRE 1 (ORANGE)	MAES
26	RWJ7202270DD	INTERC. WIRE 2 (RED/BLACK)	MAES
27	RMQP0517	GASKET FRONT PANEL	MAES
28	RWJ7502950DD	H.F WIRE	MAES
		SCREW(S)	
N1	XTNP42+25FG	SCREW TERMINAL BLOCK	MAES
N2	XTN42+25FG	SCREW PASSIVE RADIATOR	MAES
N3	XTN42+20	SCREW WOOFER	MAES
N4	XTN42+25	SCREW MID./ F.PANEL	MAES
N5	XTNP42+20FG	SCREW TWEETER	MAES
N6	XTN42+16	SCREW P.C.B	MAES
		ACCESORIES	
A 1	RQT5060-E	INSTRUCTION BOX	MAES
A 2	XZBA4	BAG	MAES
		PACKING PARTS	
P1	RPG4473	CARTON BOX	MAES
P2	RPNP1207	PAD	MAES
P3	SPHP35060	SHEET CABINET ASS'Y	MAES
P4	SPHP23045	SHEET NET FRAME	MAES

■ PACKAGING

