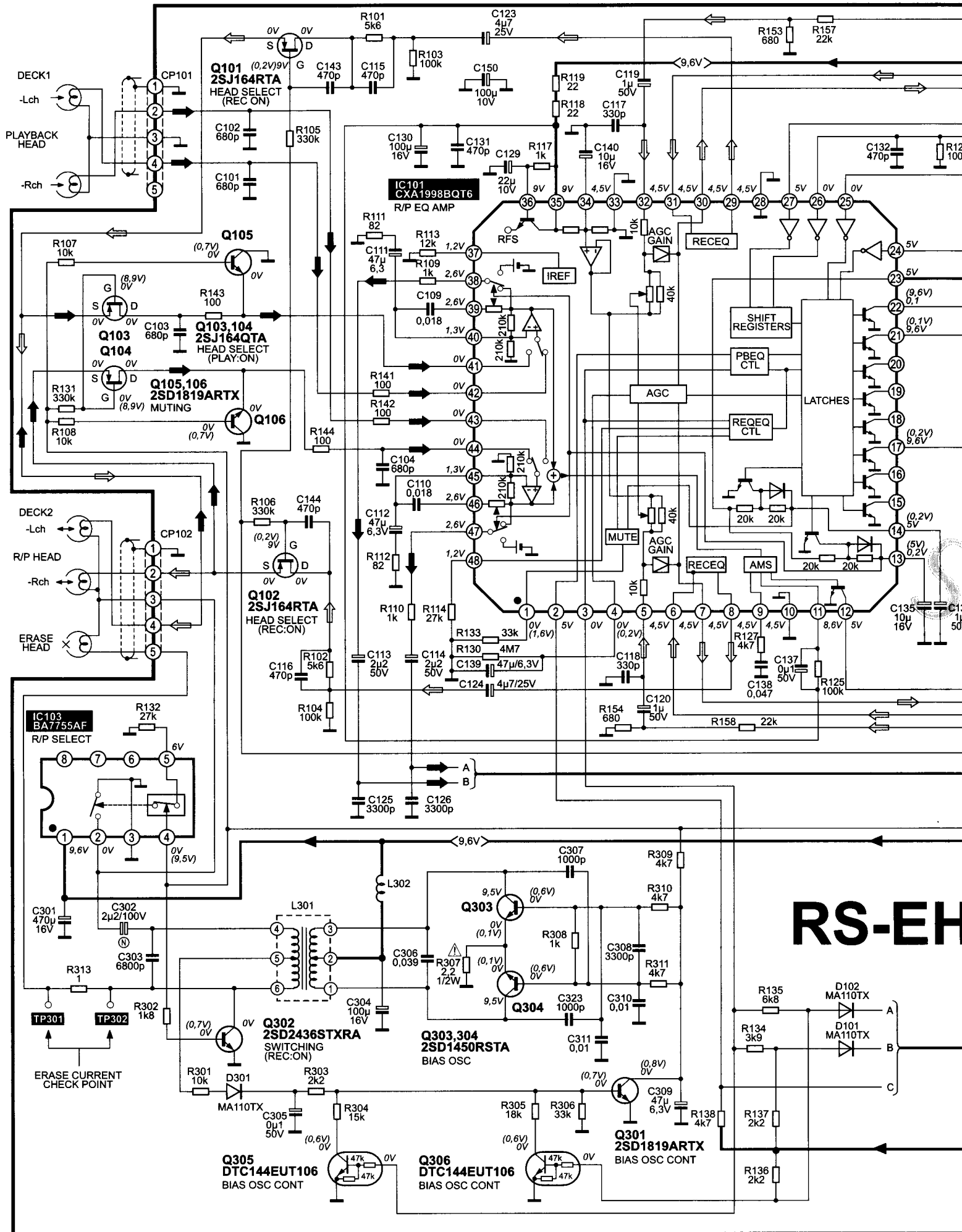


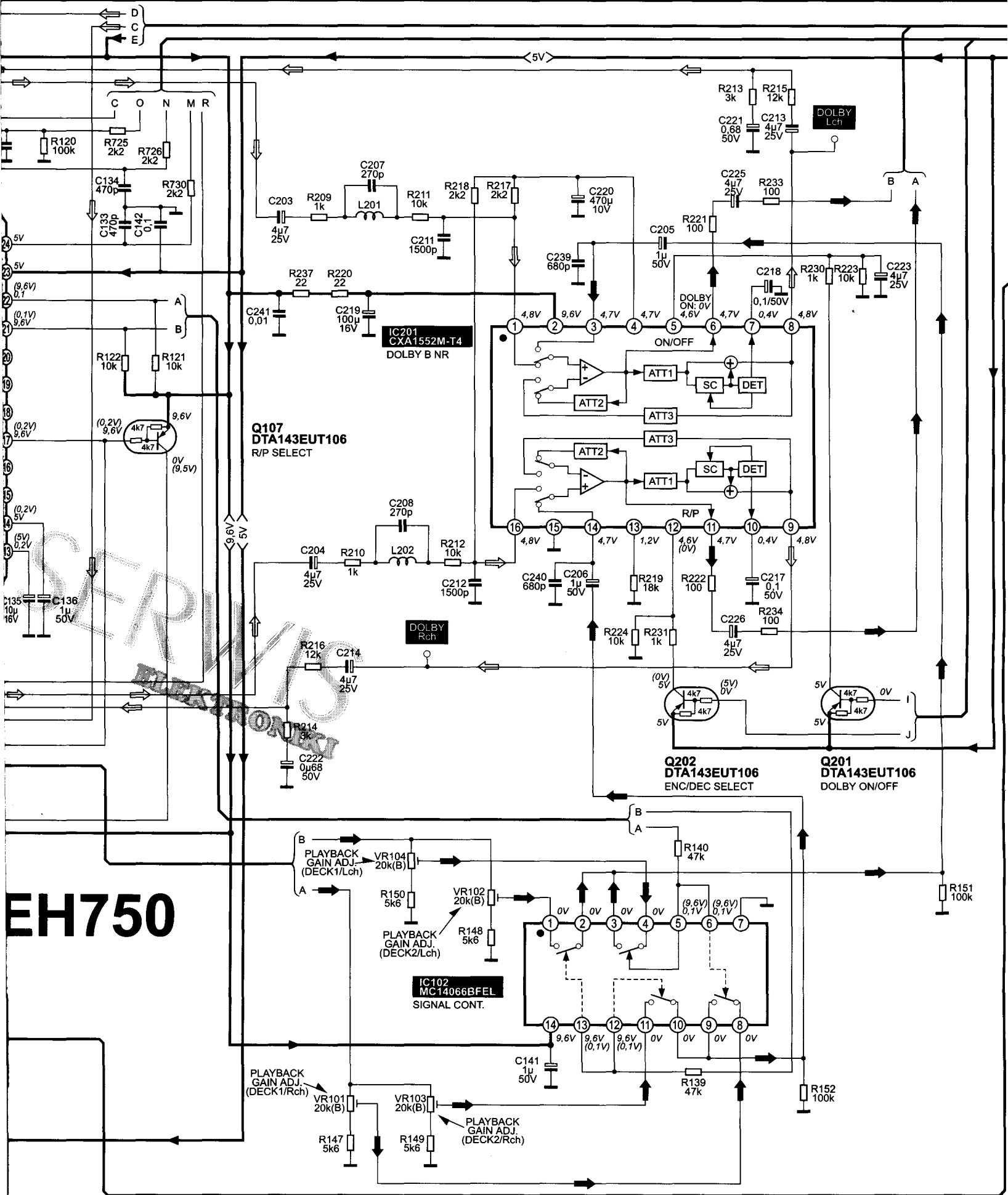
**A MAIN CIRCUIT**

→ : POSITIVE VOLTAGE LINE    ⇨ : RECORDING SIGNAL LINE    ⇩ : PLAYBACK SIGNAL LINE



**RS-EH**

BACK SIGNAL LINE



# EH750

**Q107**  
DTA143EUT106  
R/P SELECT

**IC201**  
CXA1552M-T4  
DOLBY B NR

DOLBY Lch

DOLBY Rch

**Q202**  
DTA143EUT106  
ENC/DEC SELECT

**Q201**  
DTA143EUT106  
DOLBY ON/OFF

**IC102**  
MC14066BFEL  
SIGNAL CONT.

PLAYBACK GAIN ADJ.  
(DECK1/Lch)  
VR104  
20k(B)

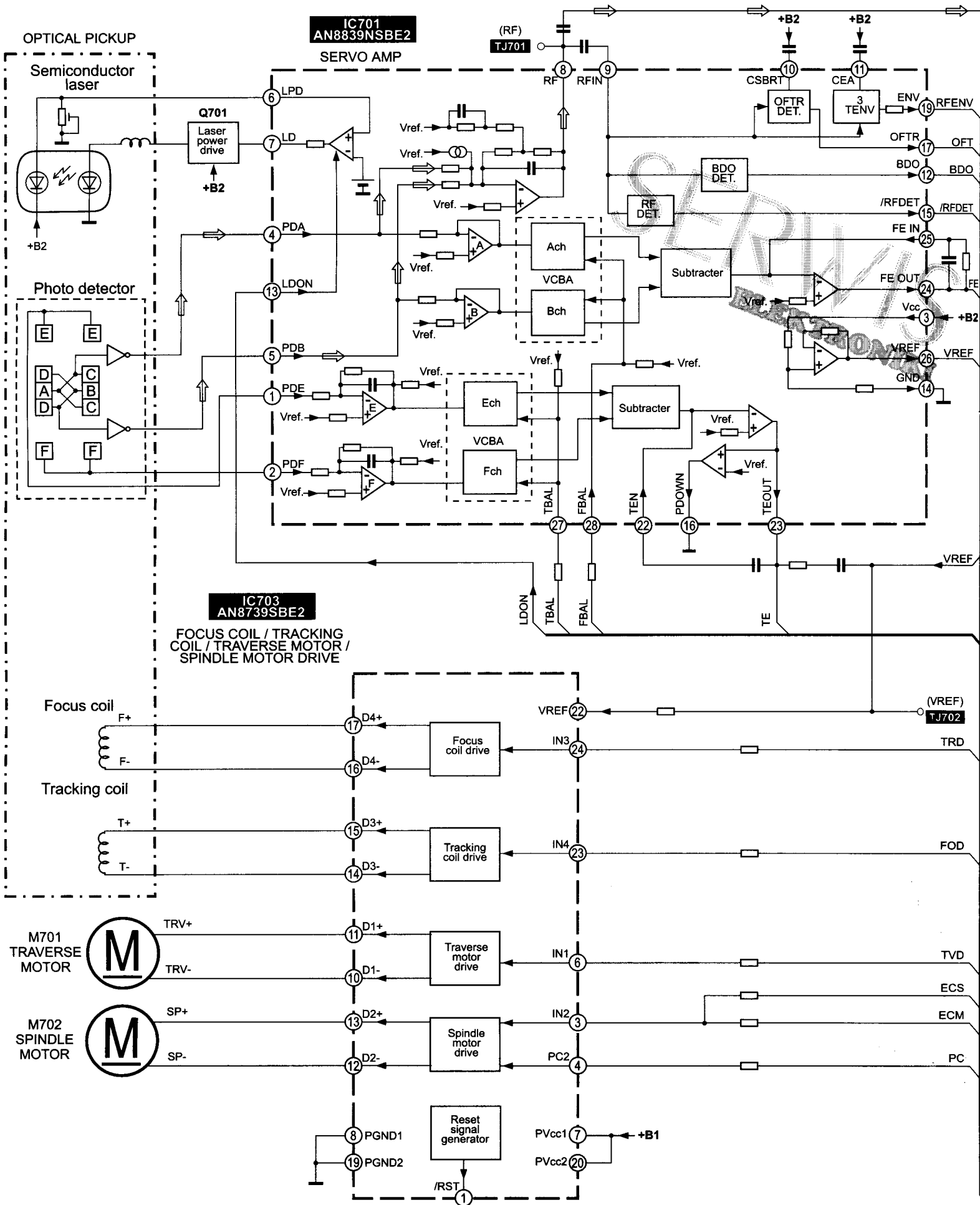
PLAYBACK GAIN ADJ.  
(DECK2/Lch)  
VR102  
20k(B)

PLAYBACK GAIN ADJ.  
(DECK1/Rch)  
VR101  
20k(B)

PLAYBACK GAIN ADJ.  
(DECK2/Rch)  
VR103  
20k(B)

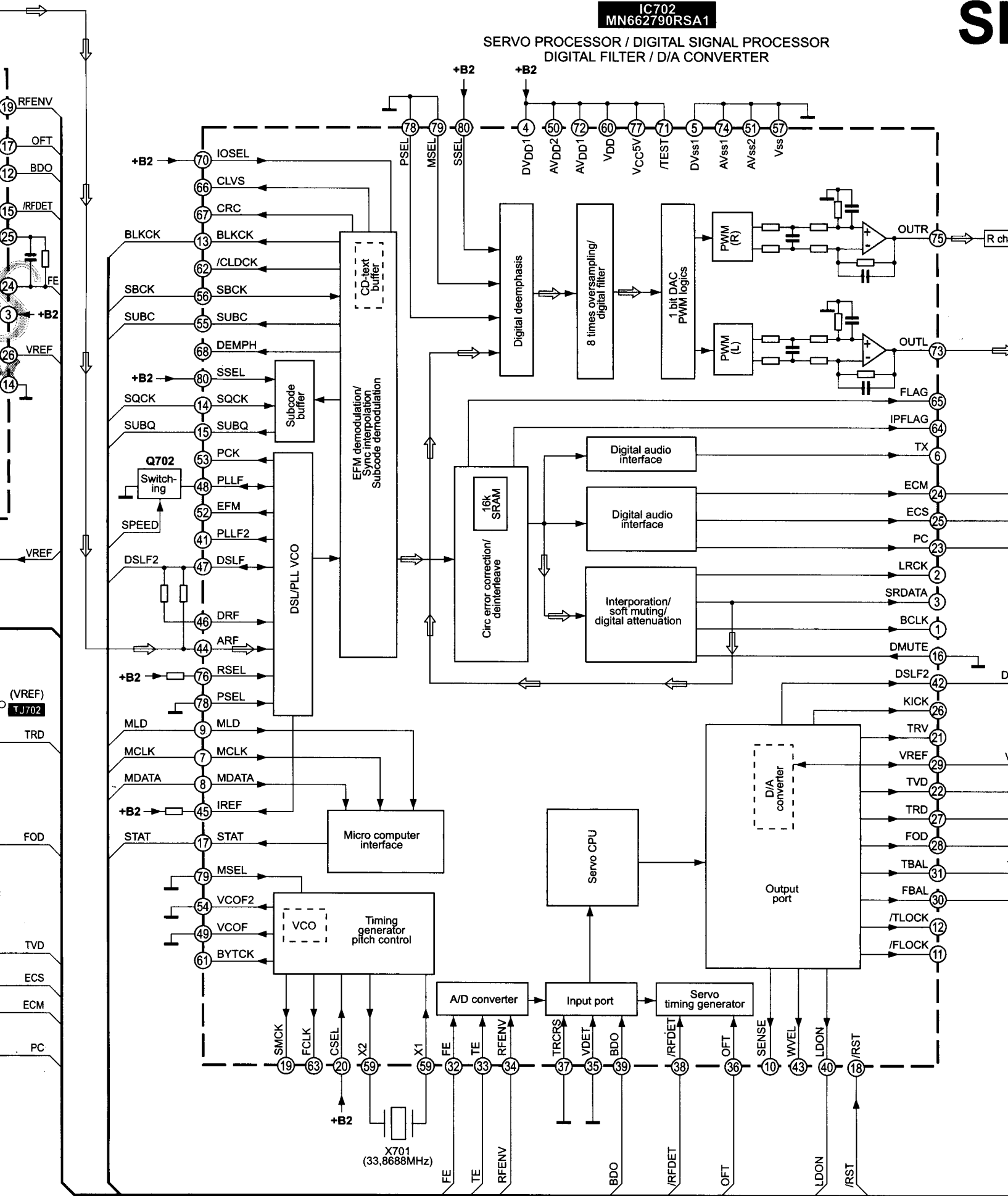
# Block Diagram

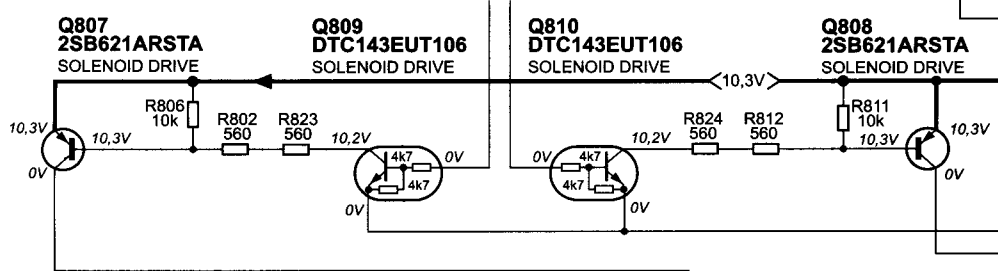
# SL-EH550



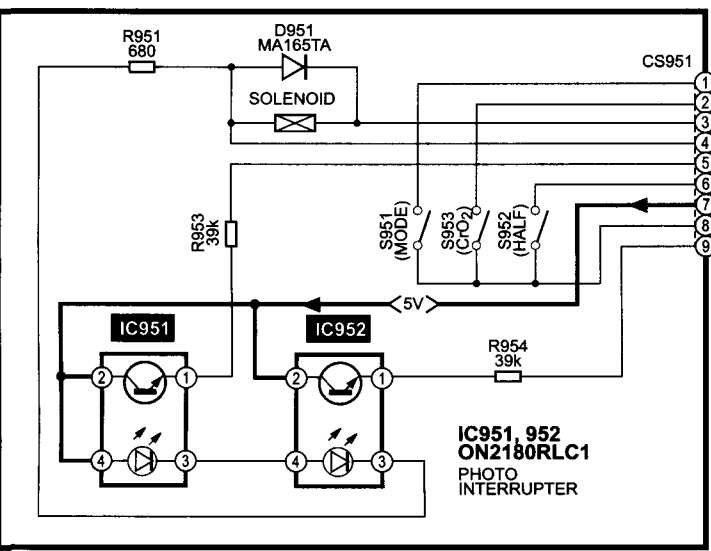
**IC702  
MN62790SA1**

**SERVO PROCESSOR / DIGITAL SIGNAL PROCESSOR  
DIGITAL FILTER / D/A CONVERTER**

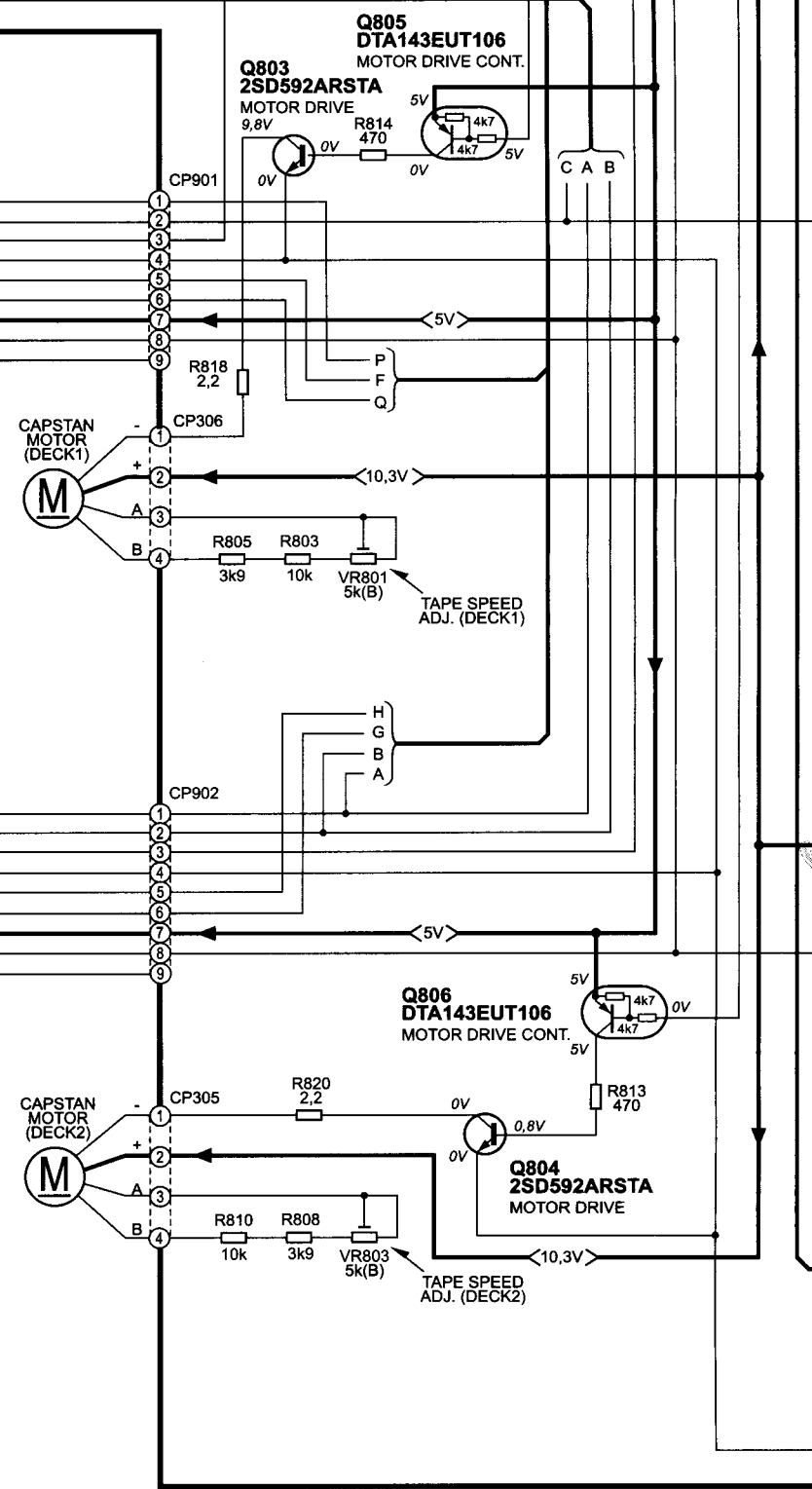
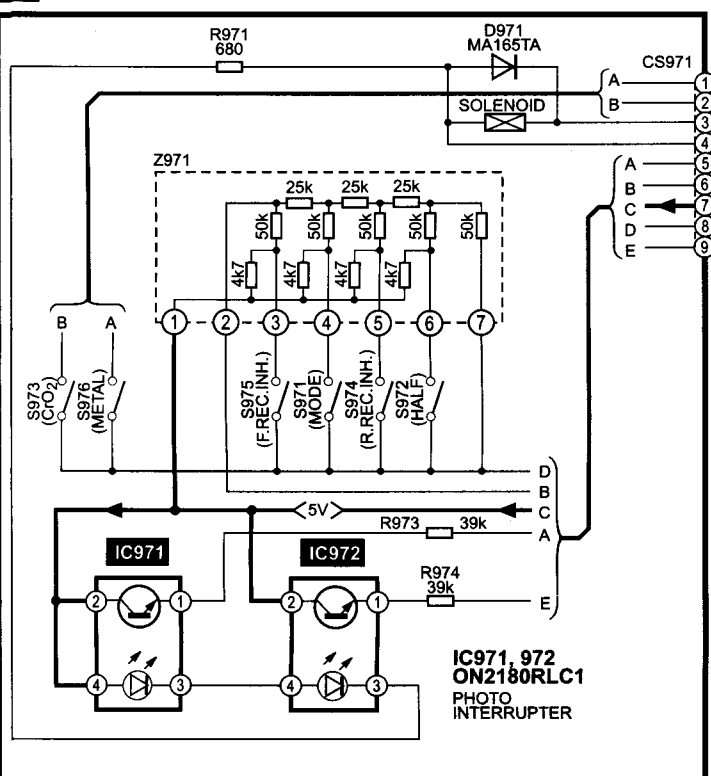


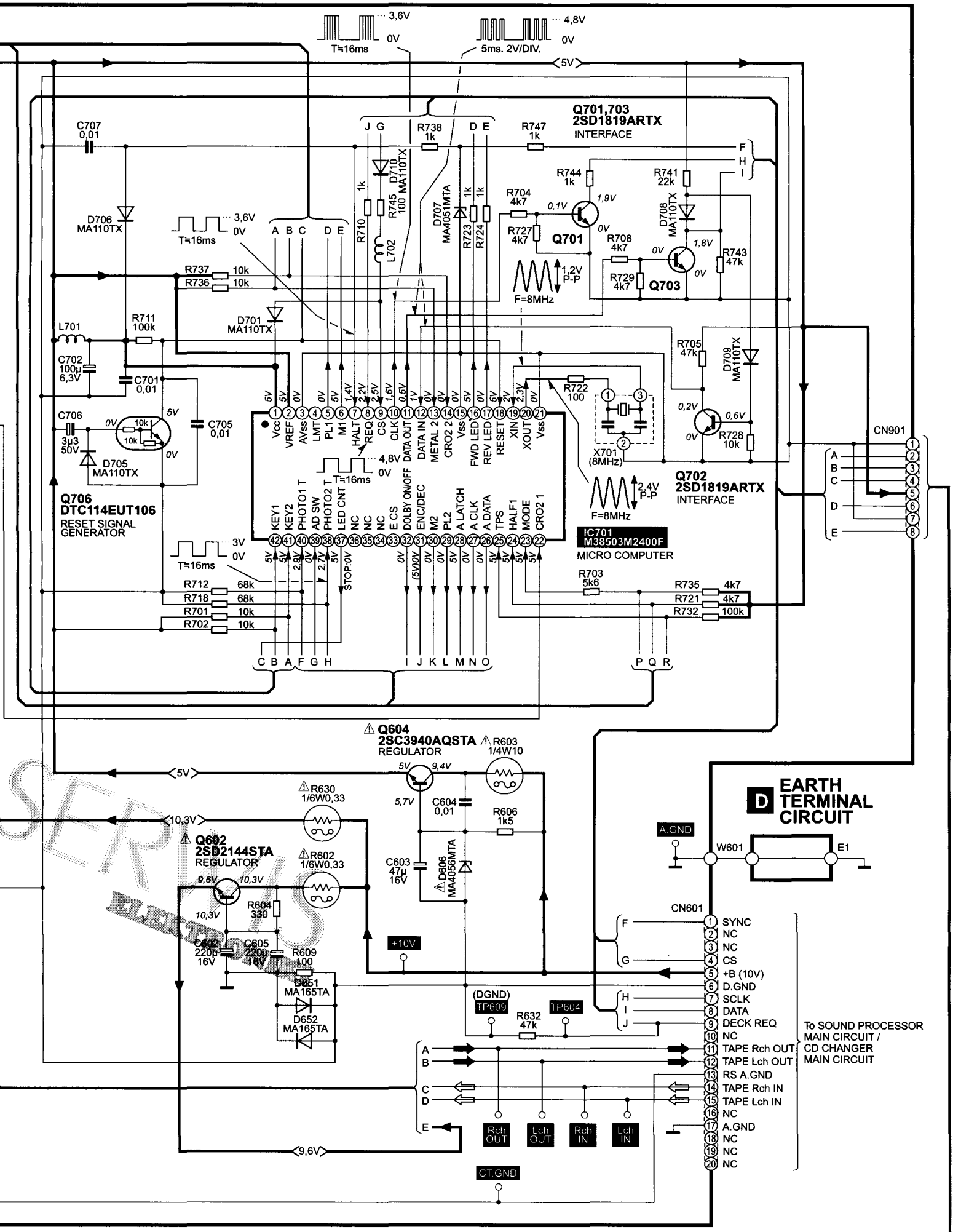


**B MECHANISM CIRCUIT (DECK1)**



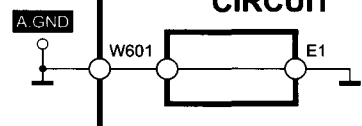
**C MECHANISM CIRCUIT (DECK2)**





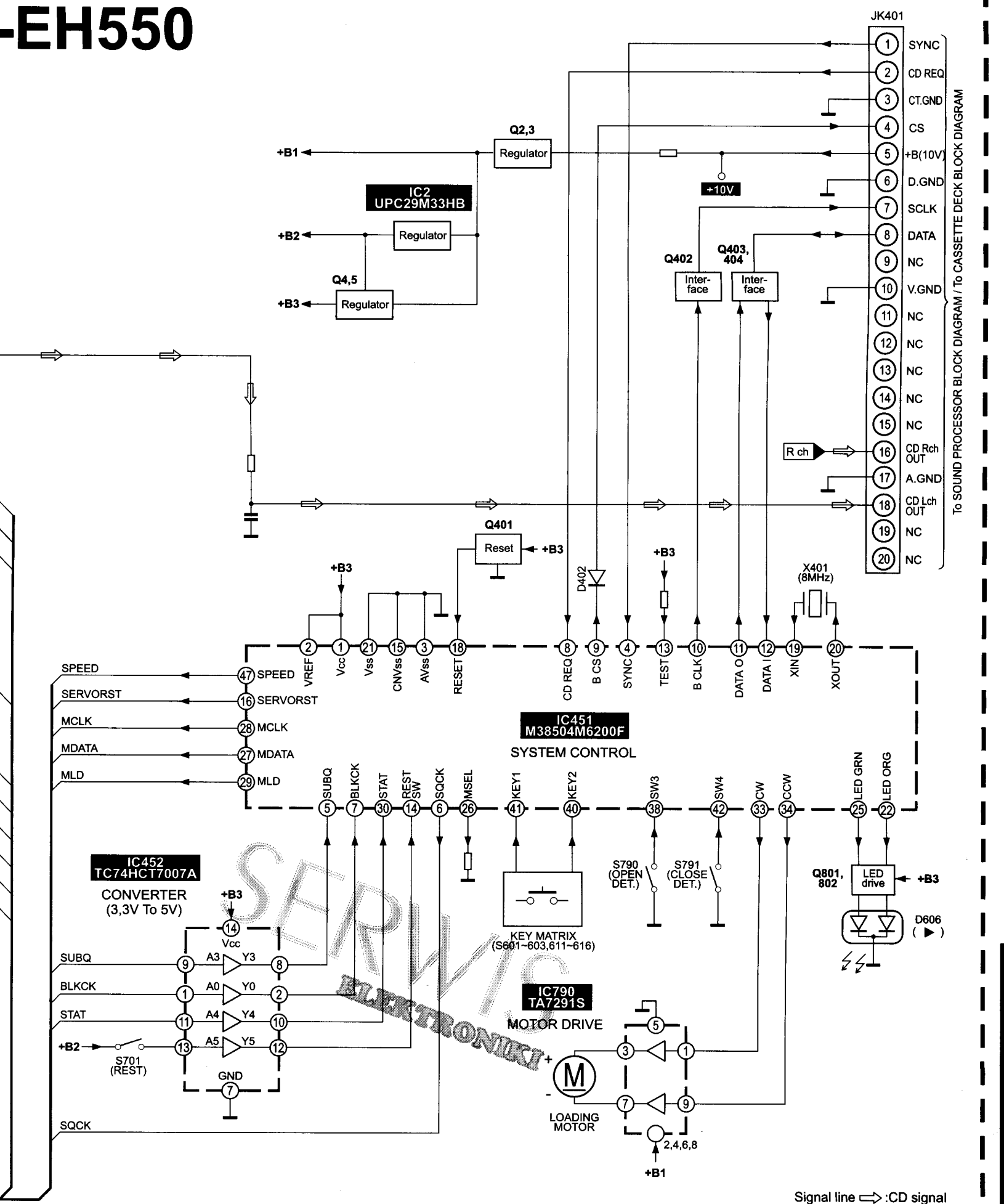
SERVICES  
ELECTRONICS

**D EARTH TERMINAL CIRCUIT**



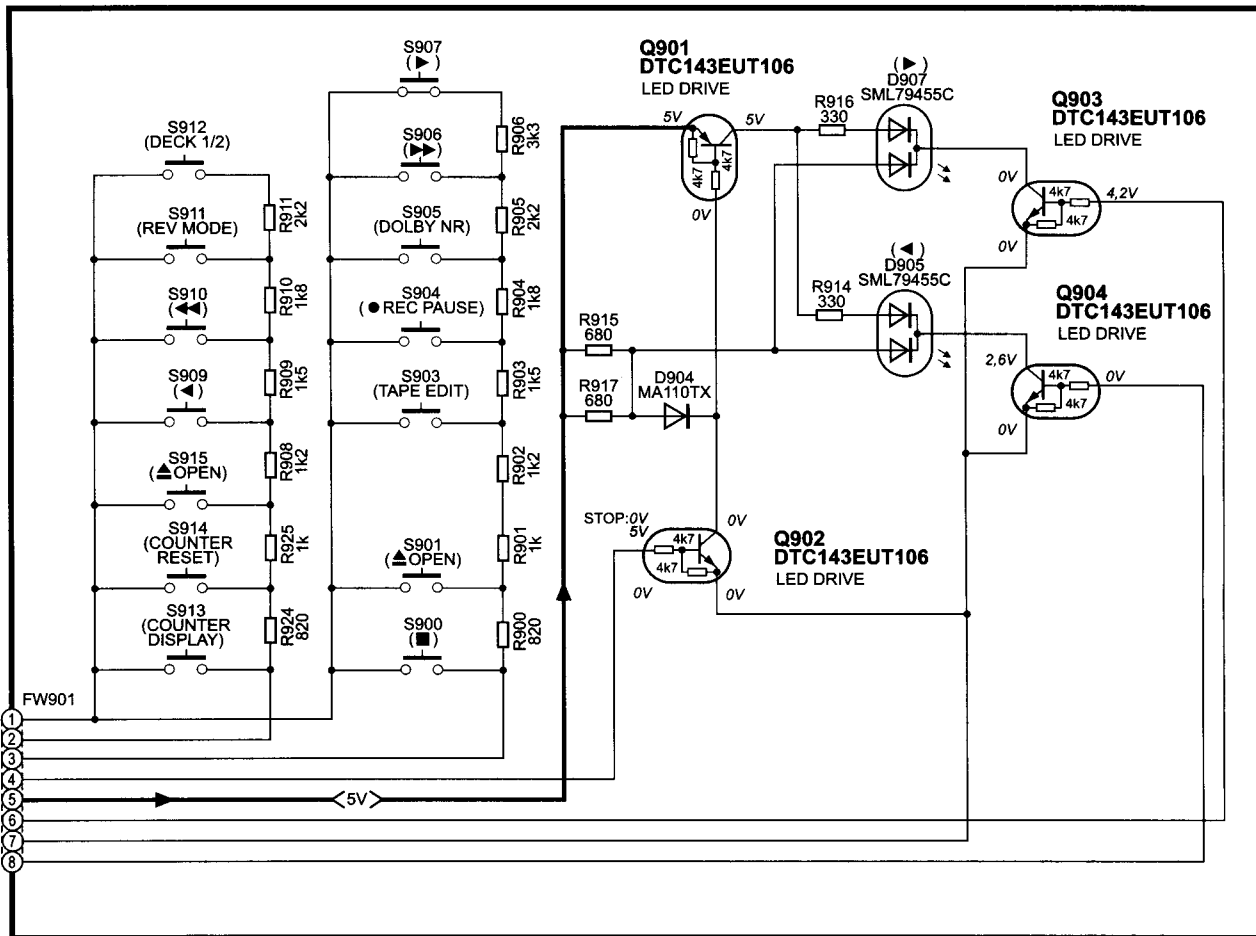
To SOUND PROCESSOR  
MAIN CIRCUIT /  
CD CHANGER  
MAIN CIRCUIT

# -EH550



To SOUND PROCESSOR BLOCK DIAGRAM / To CASSETTE DECK BLOCK DIAGRAM

## E OPERATION CIRCUIT



214

Uwaga: Schemat amplifonera SA-EH550 został opublikowany w dodatkowej wkładce do SE7/2002

DW\_SE4/2004

# Zestaw audio Technics SC-EH550:

SH-EH550 - procesor dźwięku,

SA-EH500 - amplifoner,

SL-EH550 - CD,

RS-EH750 - magnetofon,

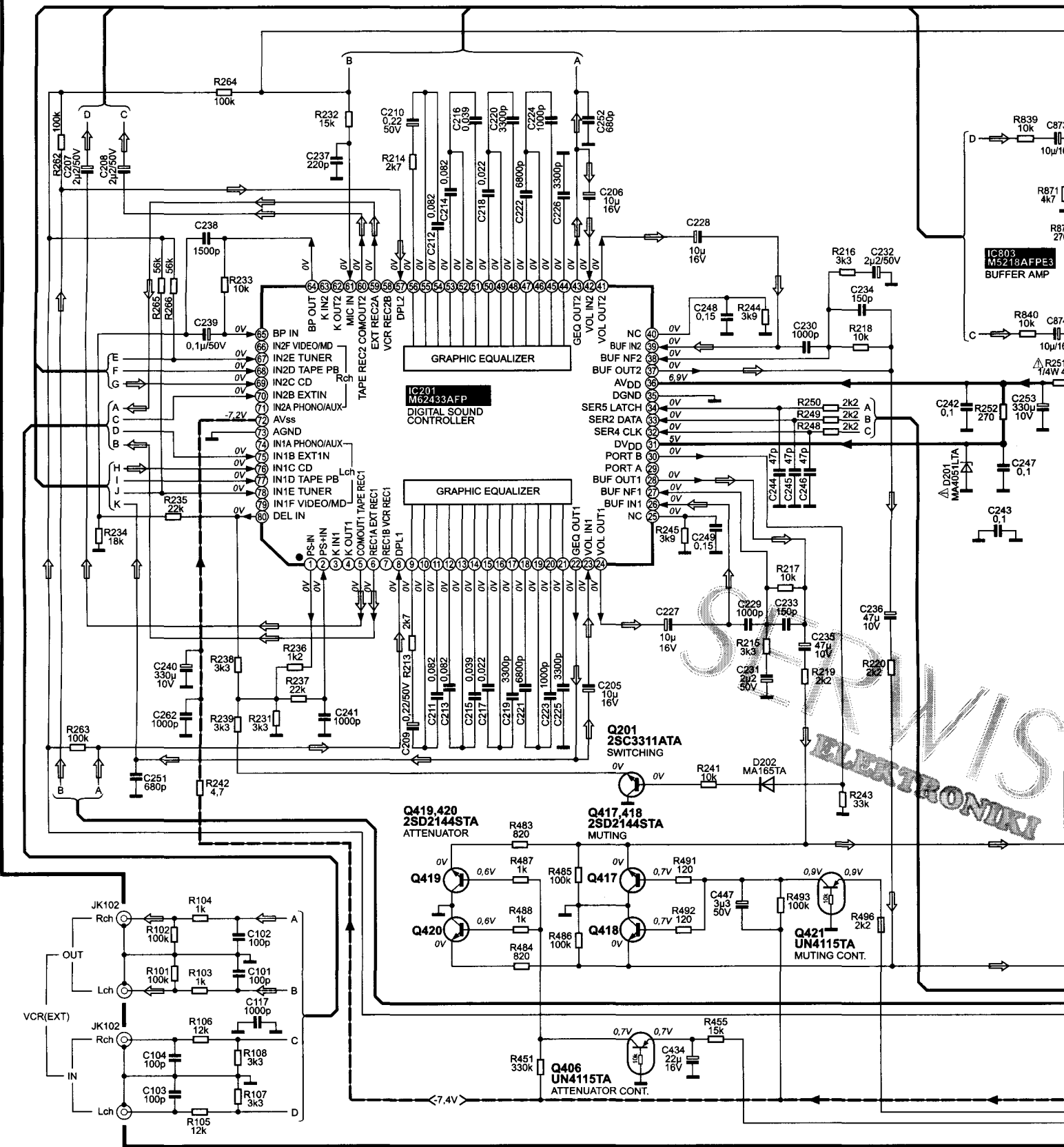
SB-EH550 - głośniki

(strona 1/4)

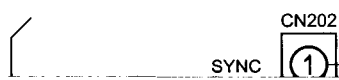


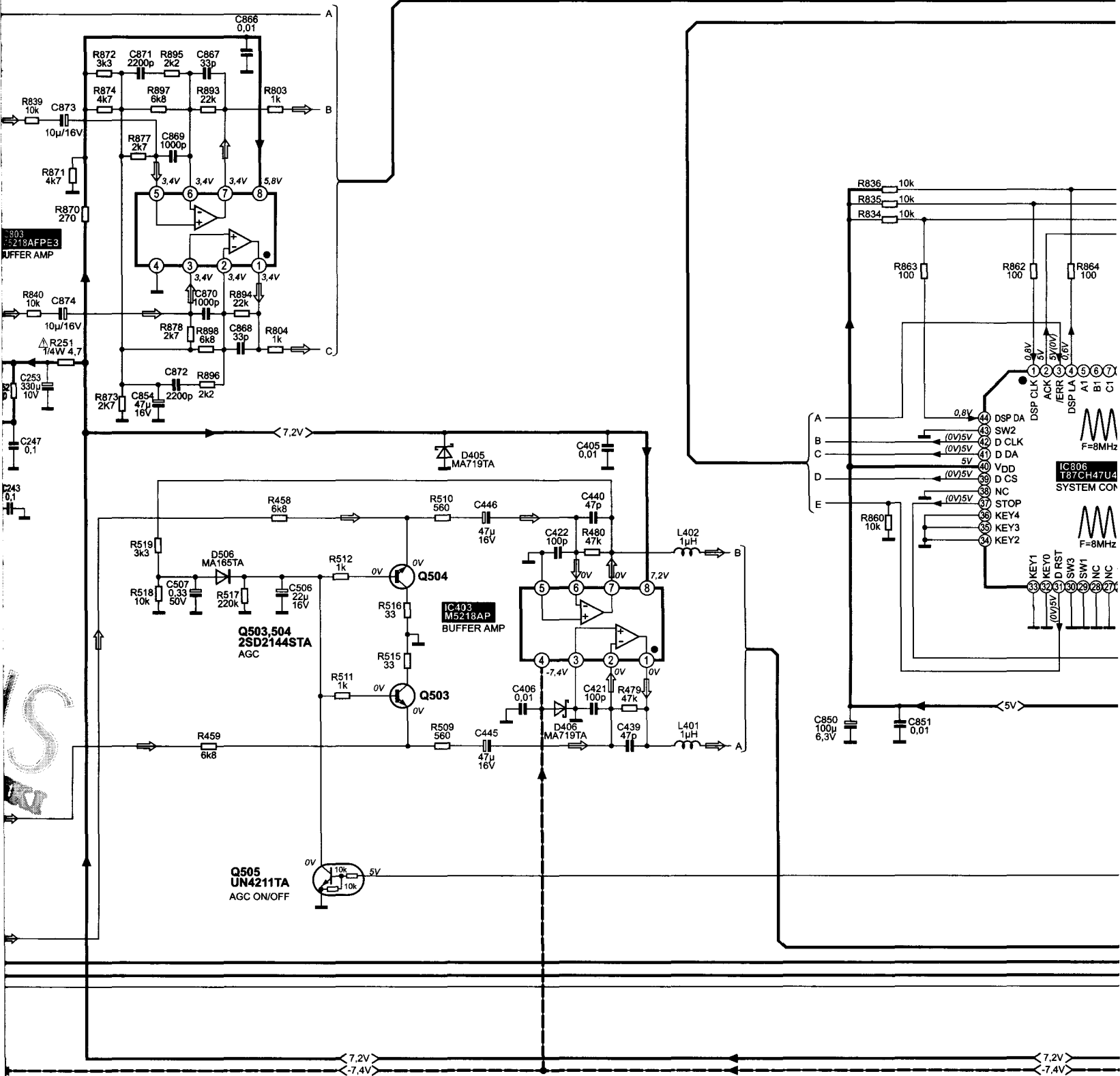
# B MAIN CIRCUIT

→ : POSITIVE VOLTAGE LINE     $\rightarrow$  : CD SIGNAL LINE  
→ : NEGATIVE VOLTAGE LINE



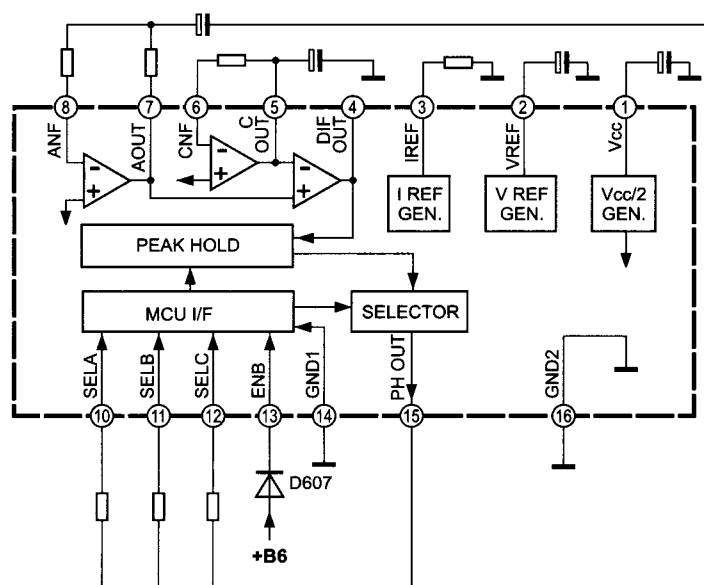
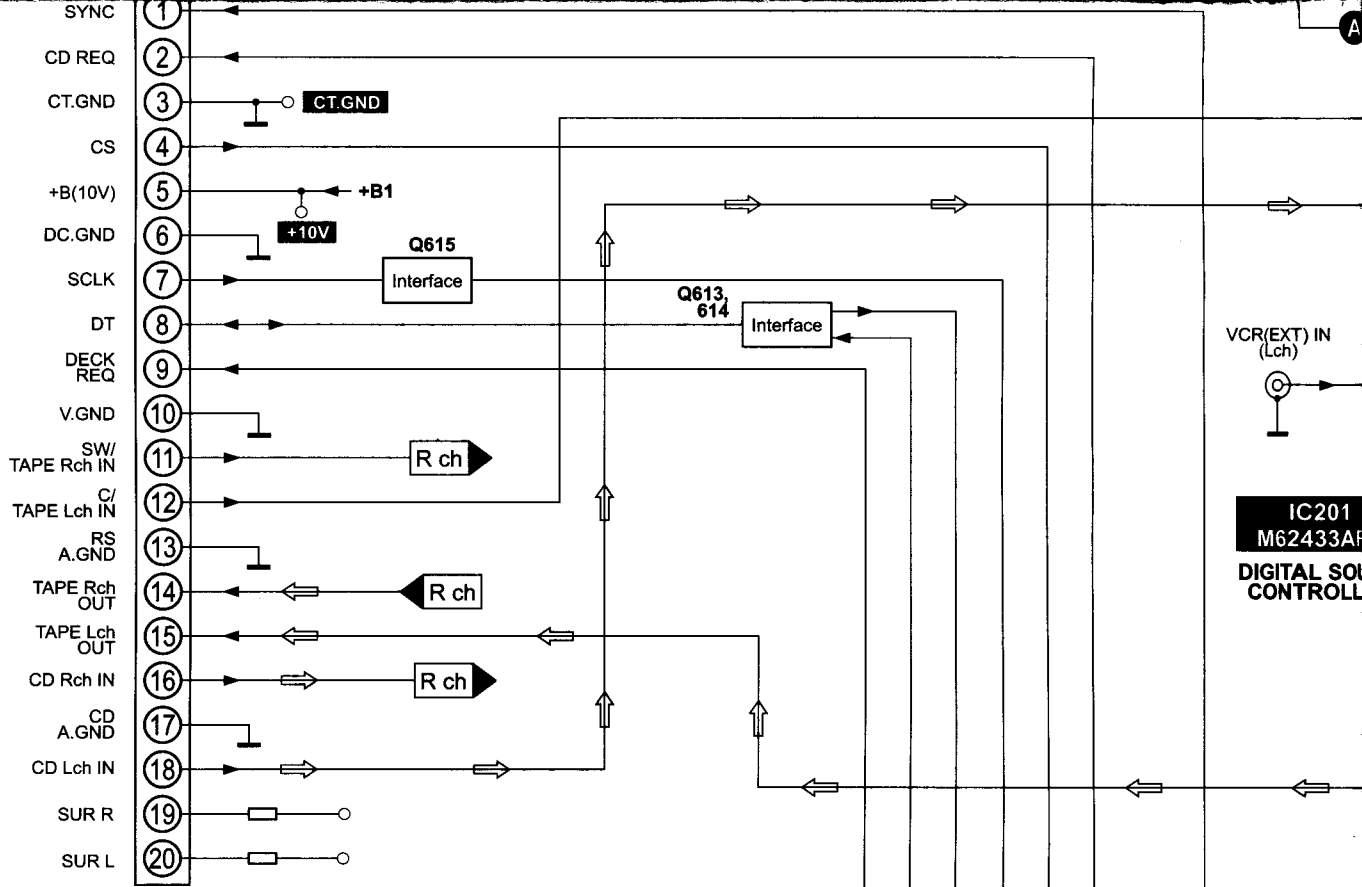
## Block Diagram



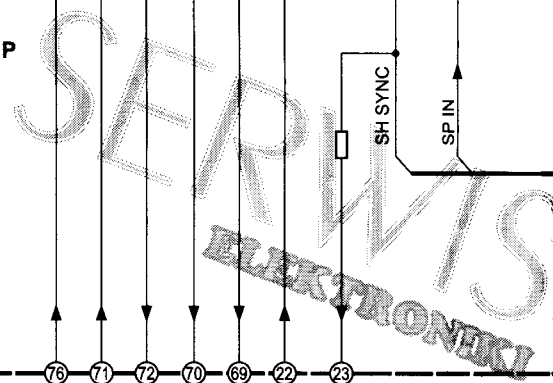


# SH-EH550

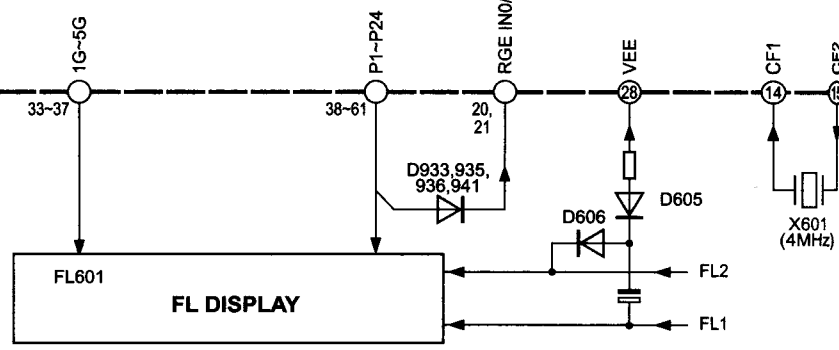
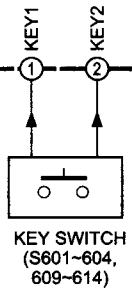
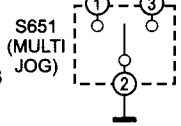
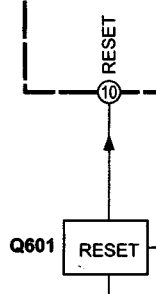
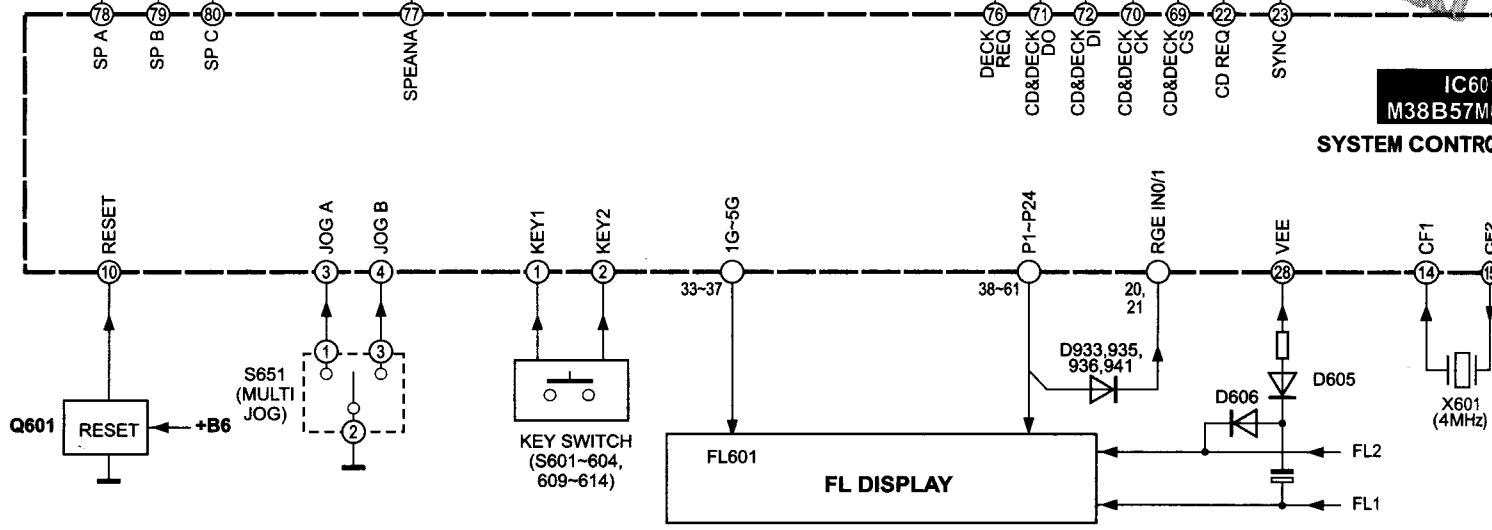
CD PLAYER  
BLOCK DIAGRAM  
CASSETTE DECK  
BLOCK DIAGRAM

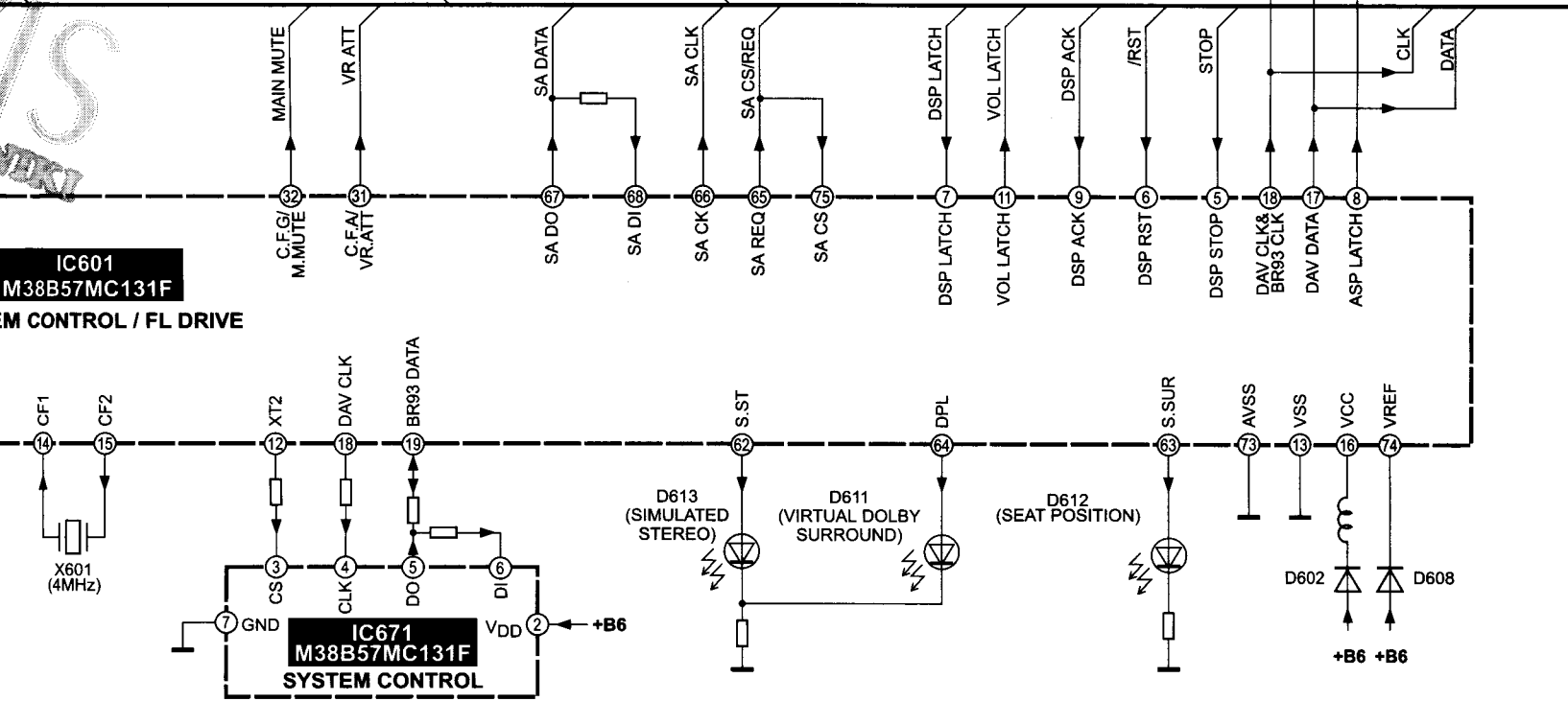
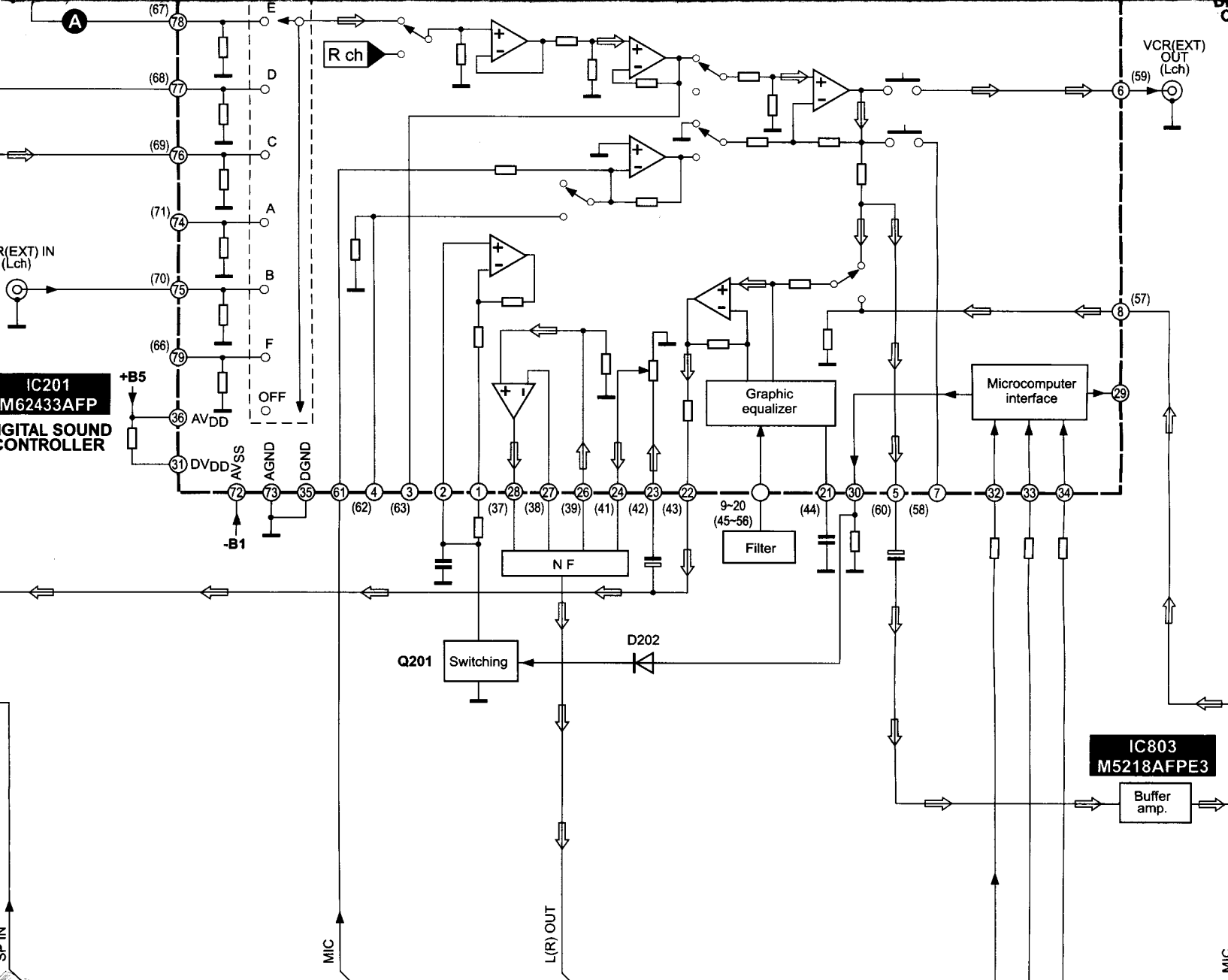


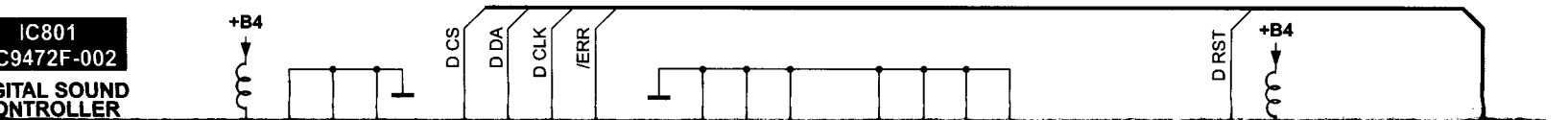
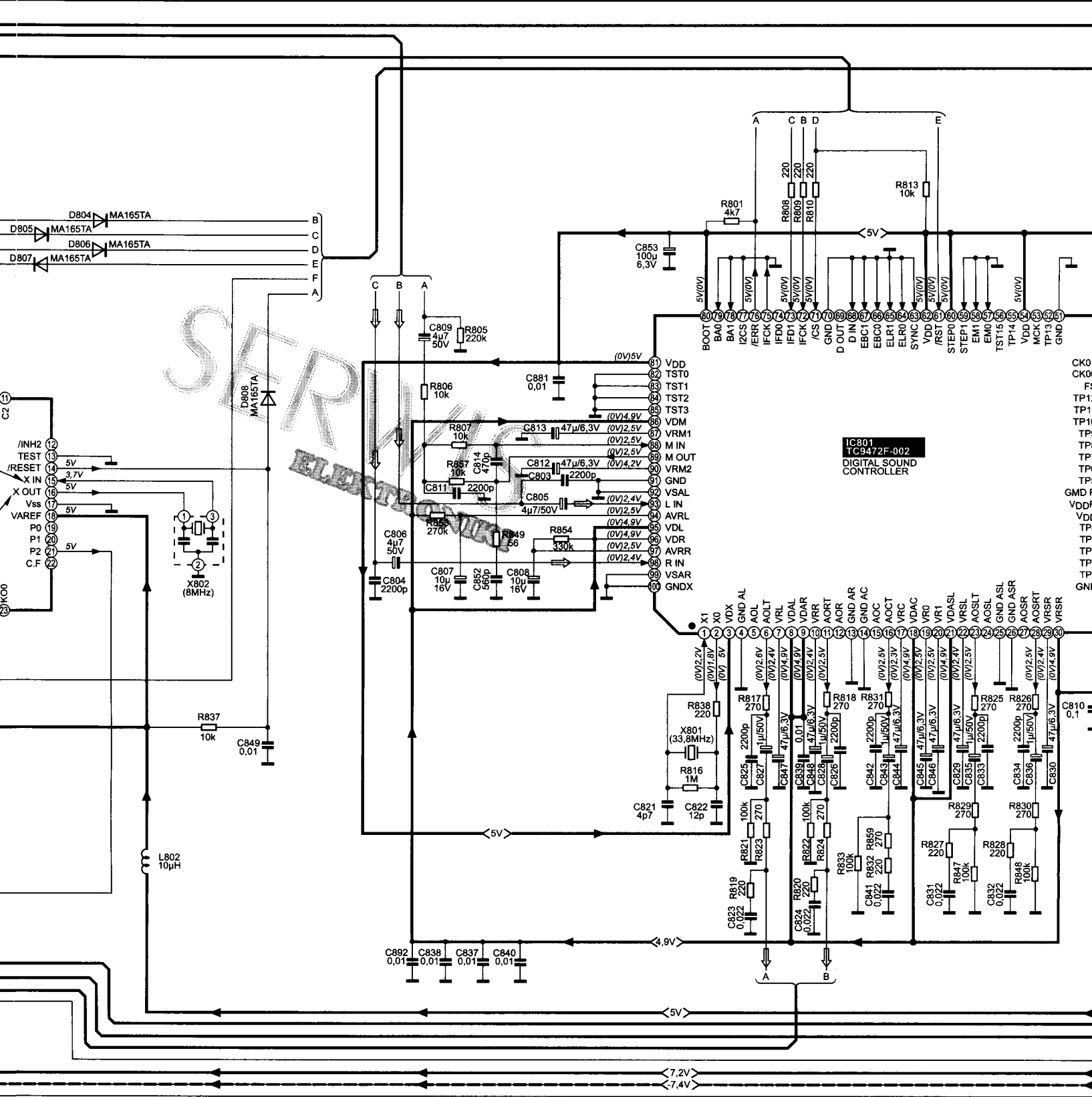
**IC602**  
**M62457FPE1**  
SPE. ANALYZER AMP



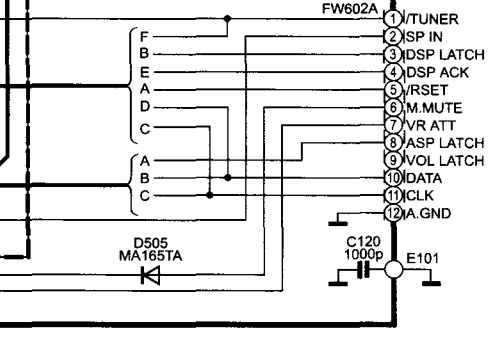
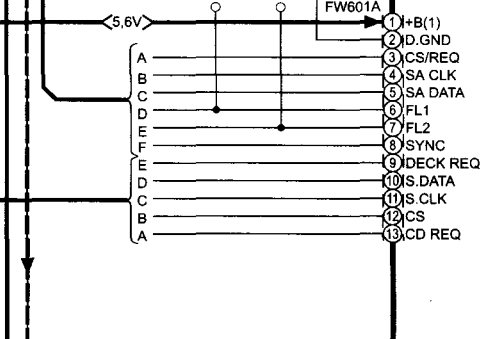
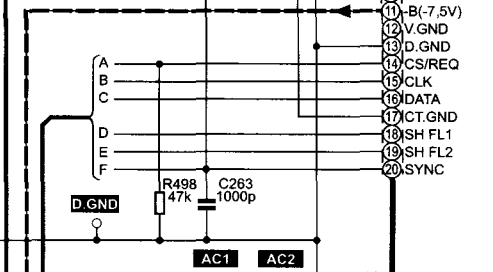
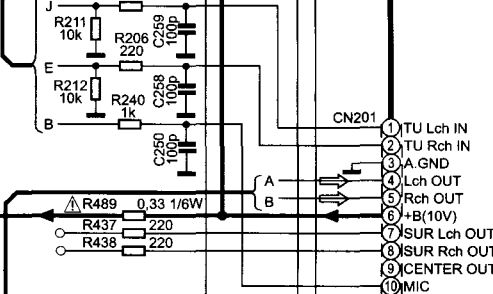
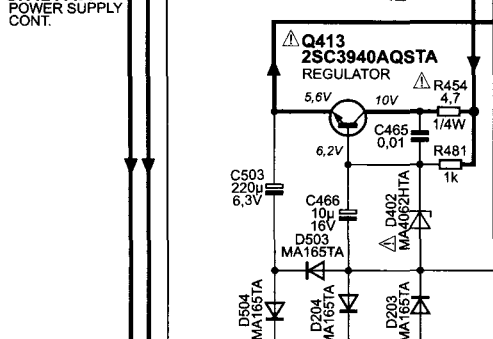
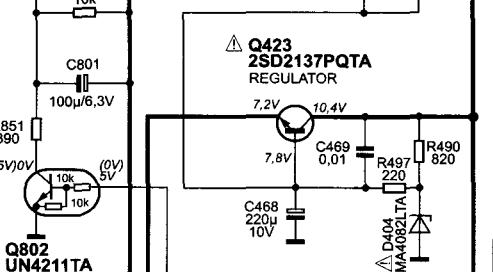
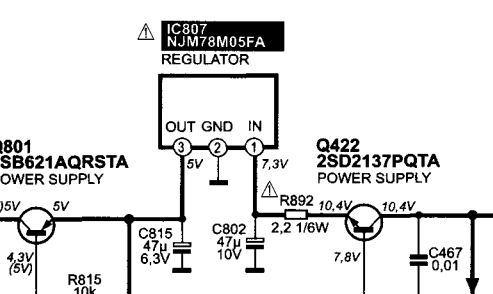
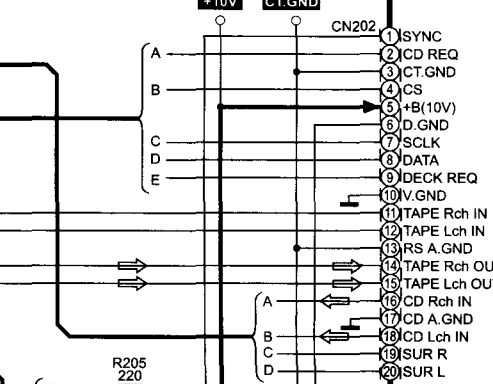
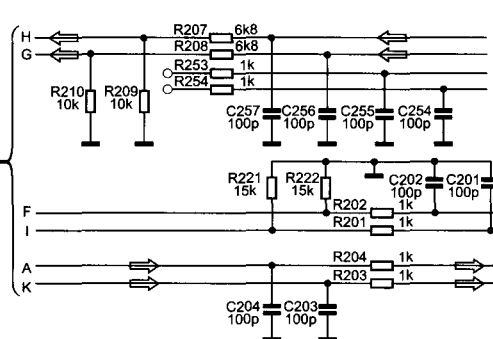
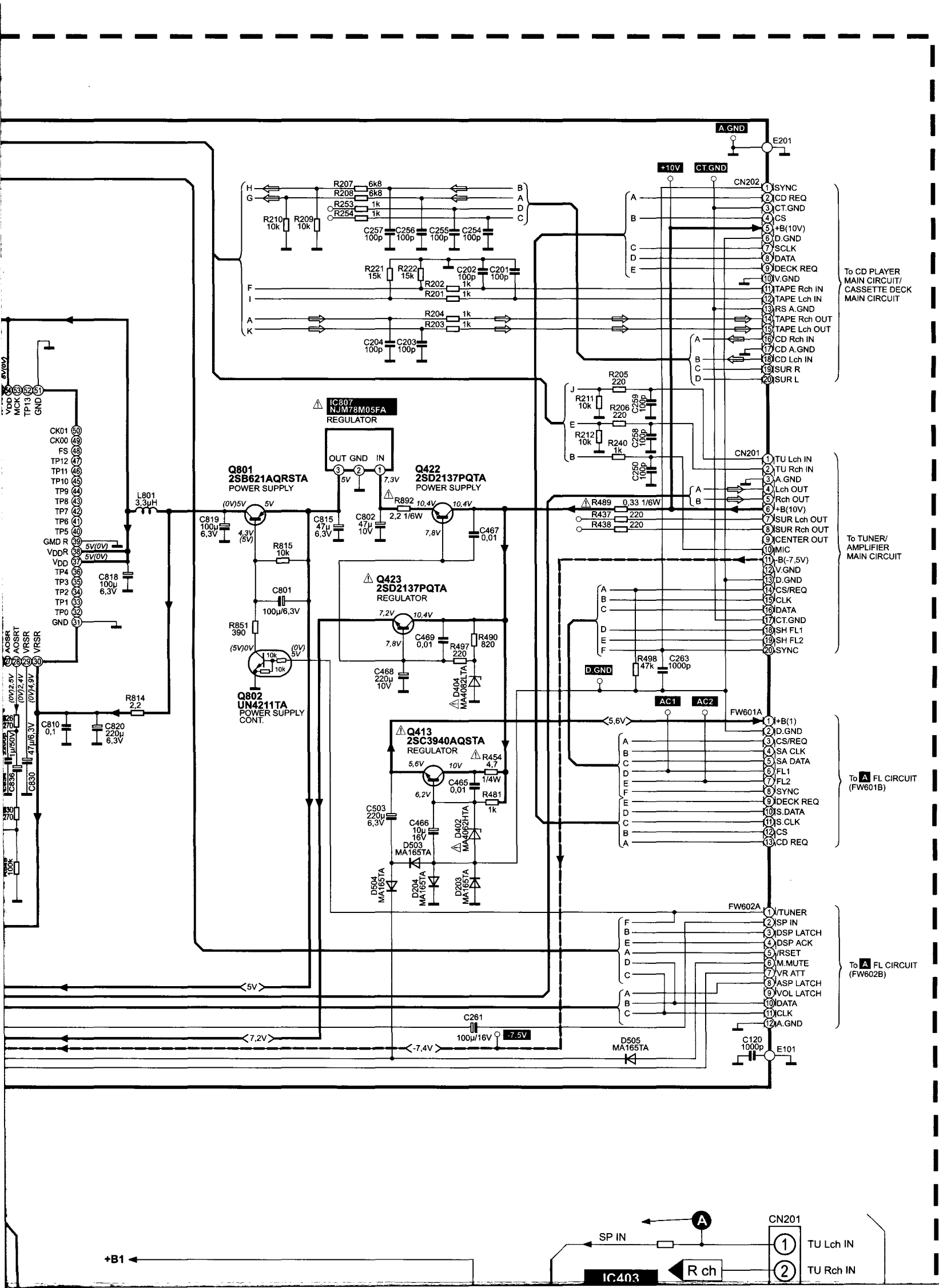
**IC601**  
**M38B57M**  
SYSTEM CONTROL

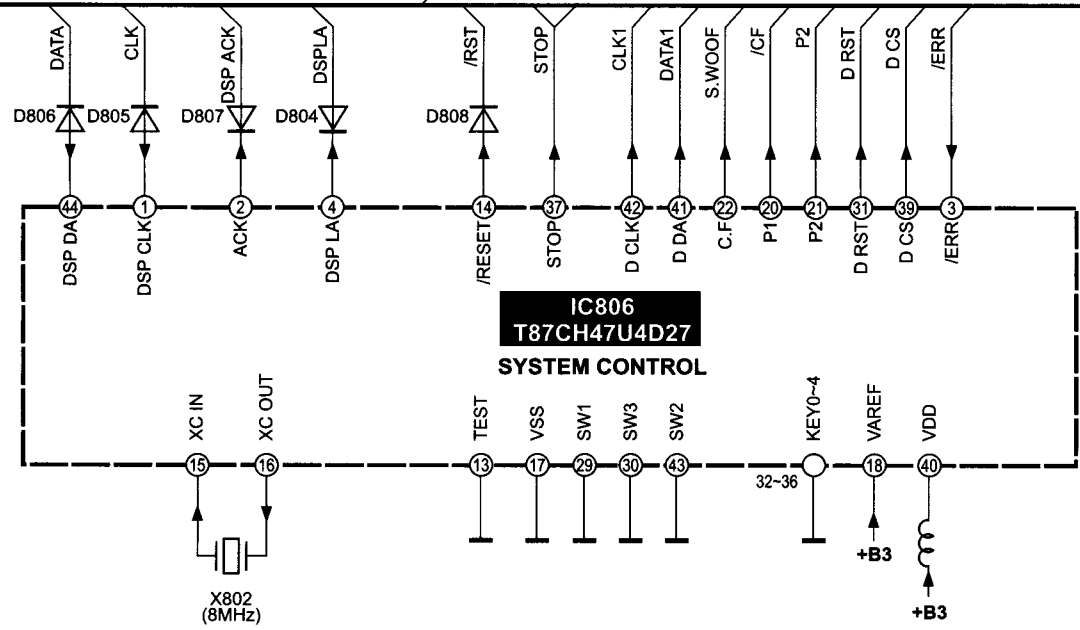
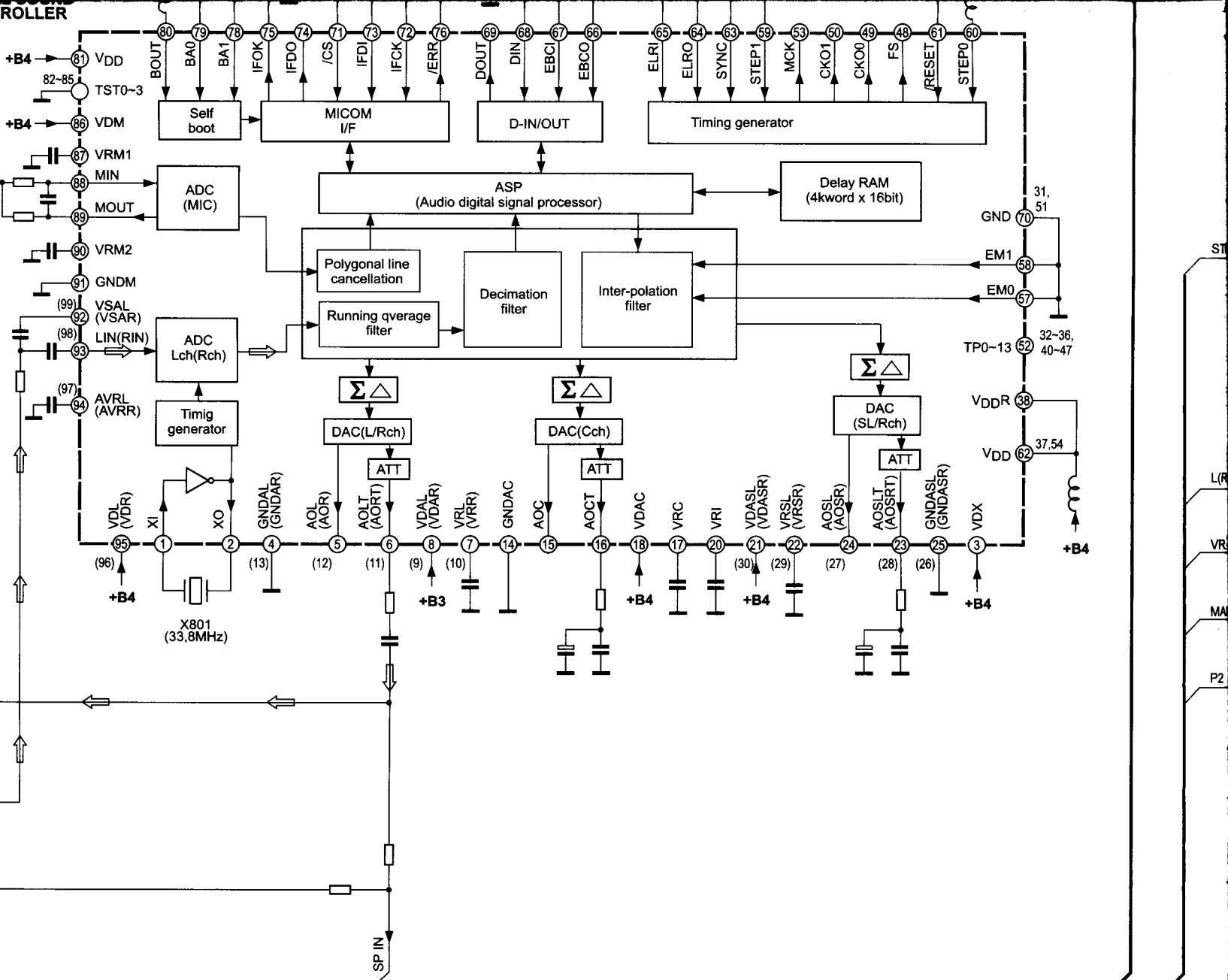






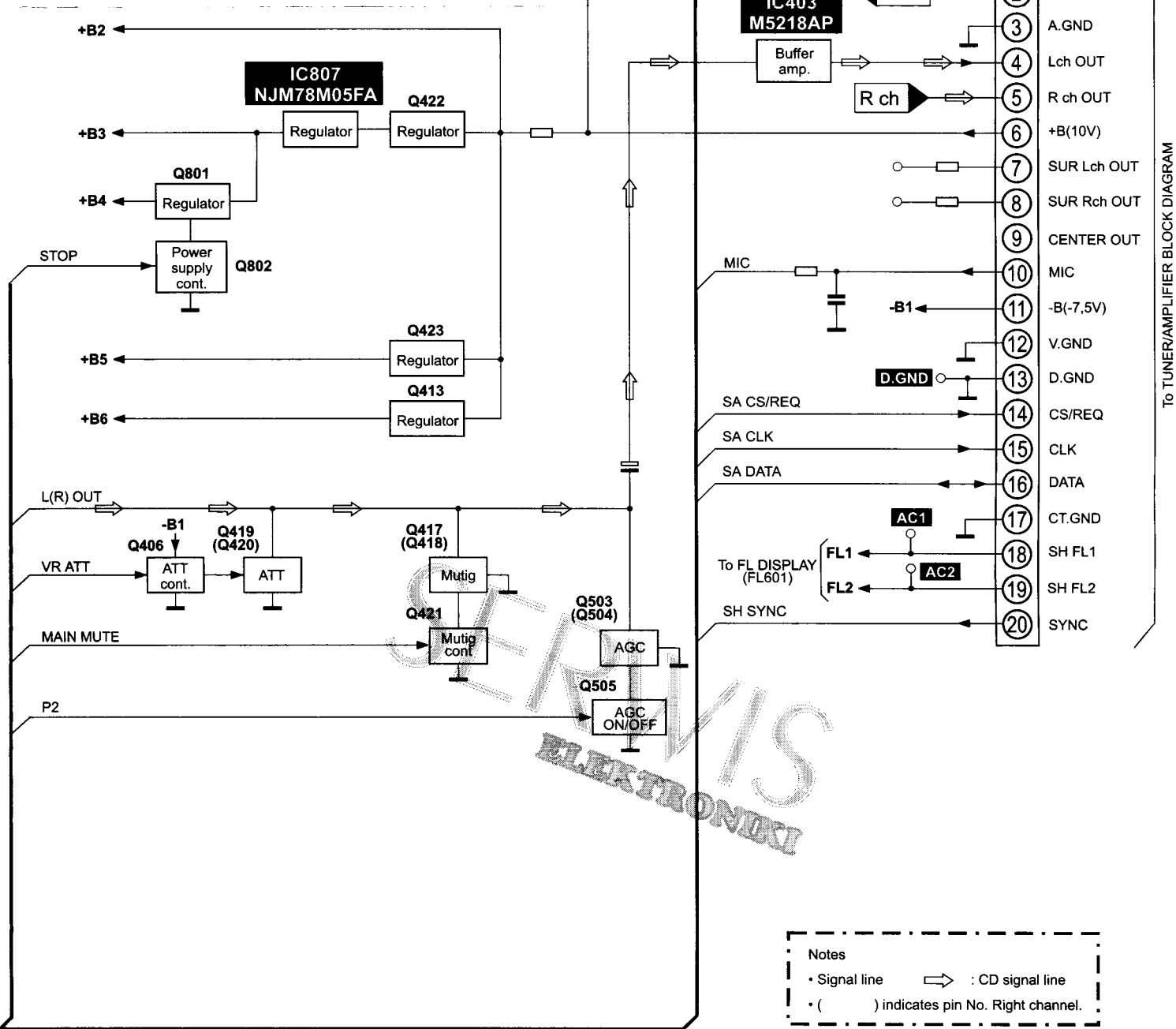
IC801  
TC9472F-002  
DIGITAL SOUND  
CONTROLLER





Uwag

S



Notes  
 • Signal line     $\Rightarrow$  : CD signal line  
 • ( ) indicates pin No. Right channel.

Uwaga: Schemat amplitunera SA-EH550 został opublikowany w dodatkowej wkladce do SE7/2002

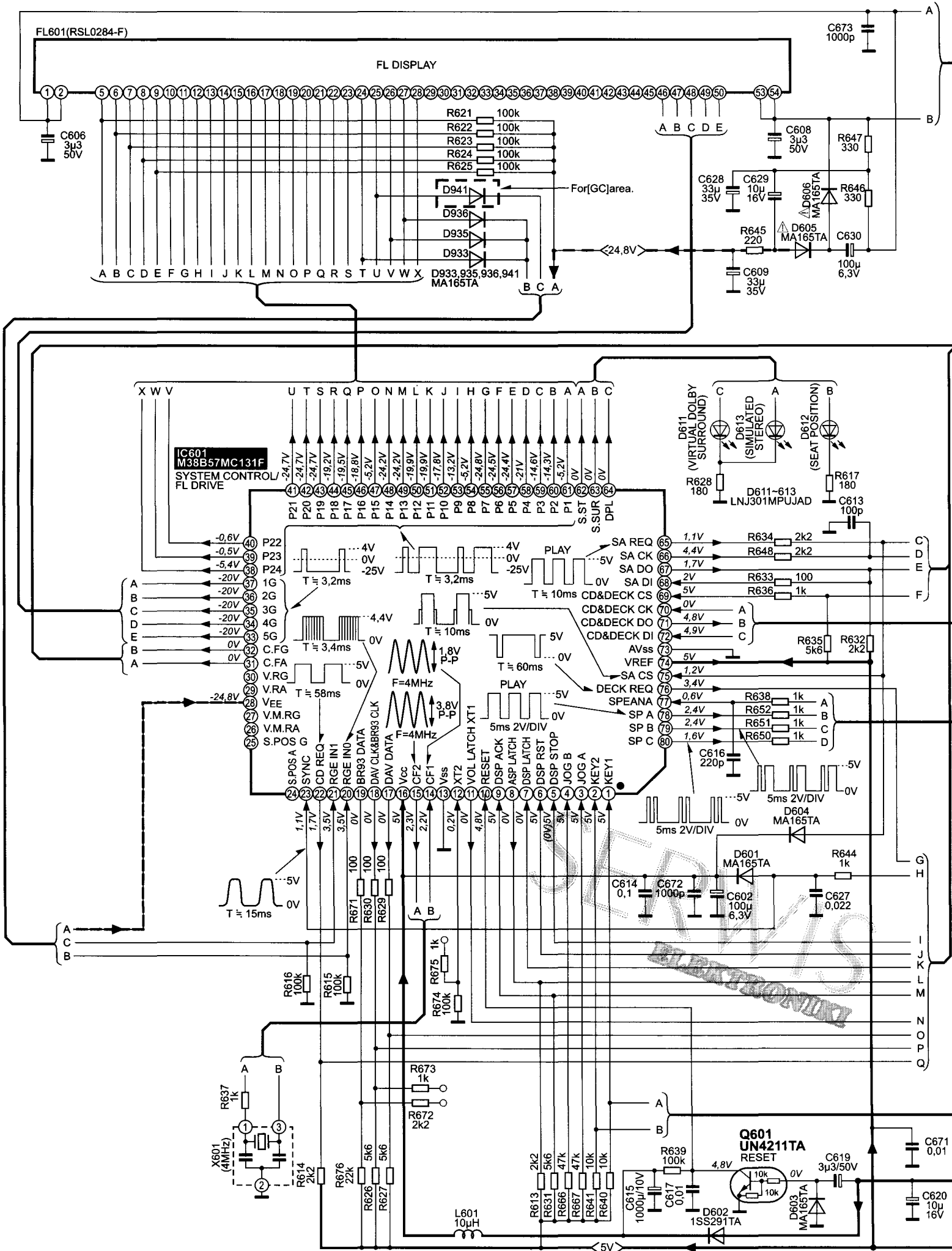
DW\_SE4/2004

**Zestaw audio Technics SC-EH550:**  
*SH-EH550 - procesor dźwięku, SA-EH500 - amplituner,*  
*SL-EH550 - CD, RS-EH750 - magnetofon, SB-EH550 - głośniki*  
 (strona 2/4)



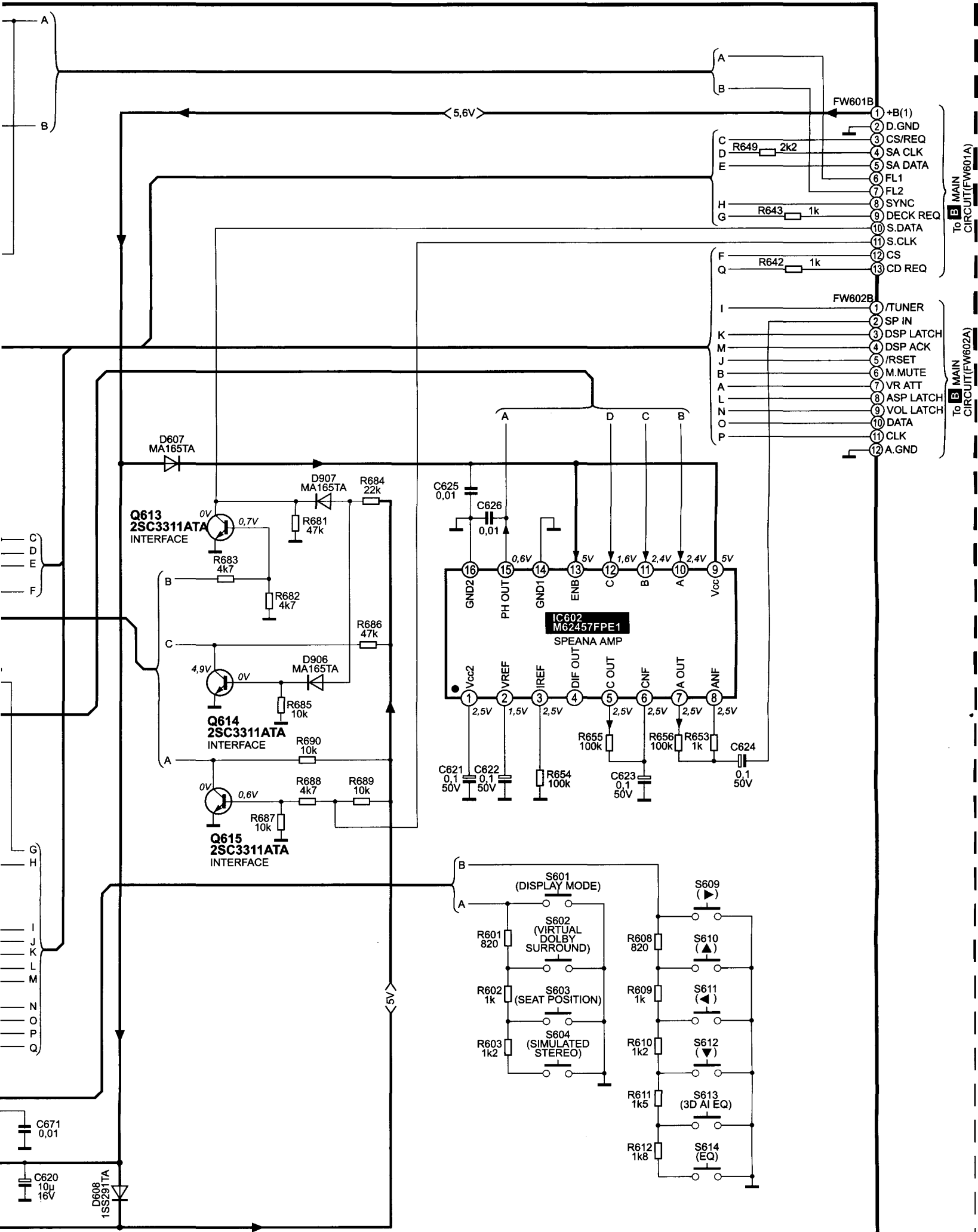
# A FL CIRCUIT

—▶ : POSITIVE VOLTAGE LINE  
 - -▶ : NEGATIVE VOLTAGE LINE



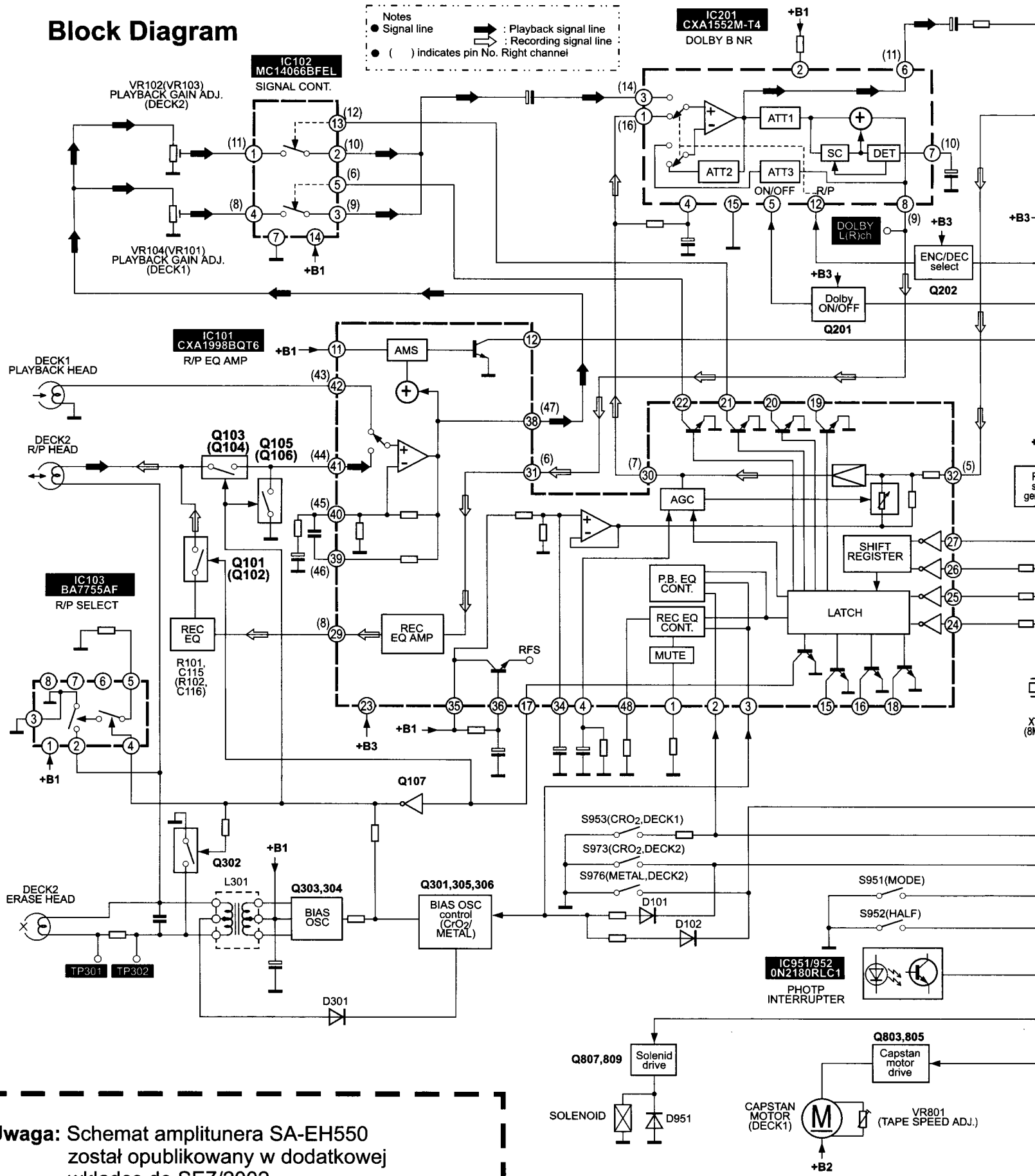
VOLTAGE LINE  
VOLTAGE LINE

# SH-EH550



# Block Diagram

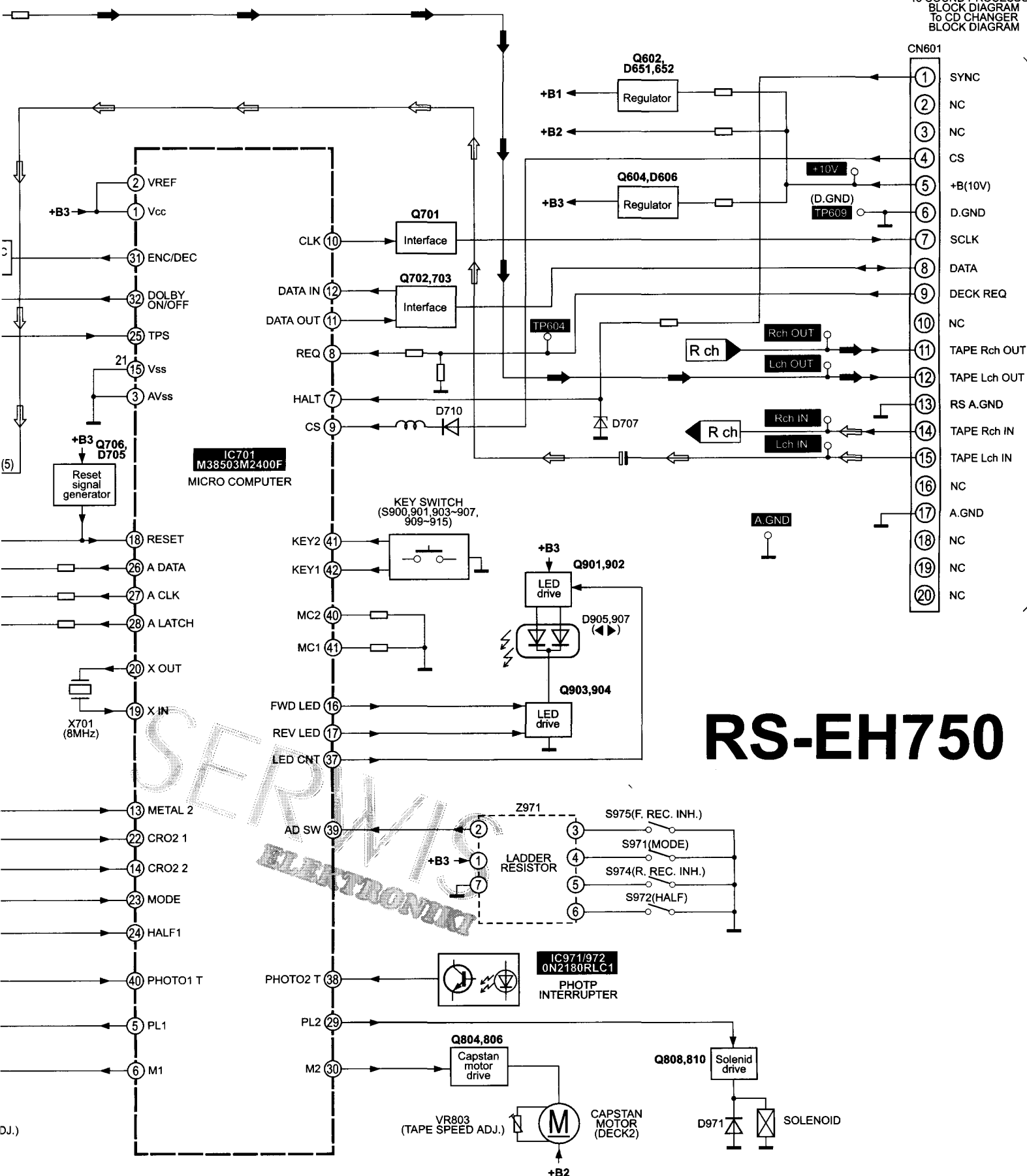
- Notes
- Signal line
  - ➔ Playback signal line
  - ➞ Recording signal line
  - ( ) indicates pin No. Right channel



**Uwaga:** Schemat amplitunera SA-EH550 został opublikowany w dodatkowej wkładce do SE7/2002

# Zestaw audio Technics SC-EH550: SA-EH500 - amplituner, SL-EH550 - CD, RS-EH750 - magnetofon, SB-

To SOUND PROCESSOR  
BLOCK DIAGRAM  
To CD CHANGER  
BLOCK DIAGRAM

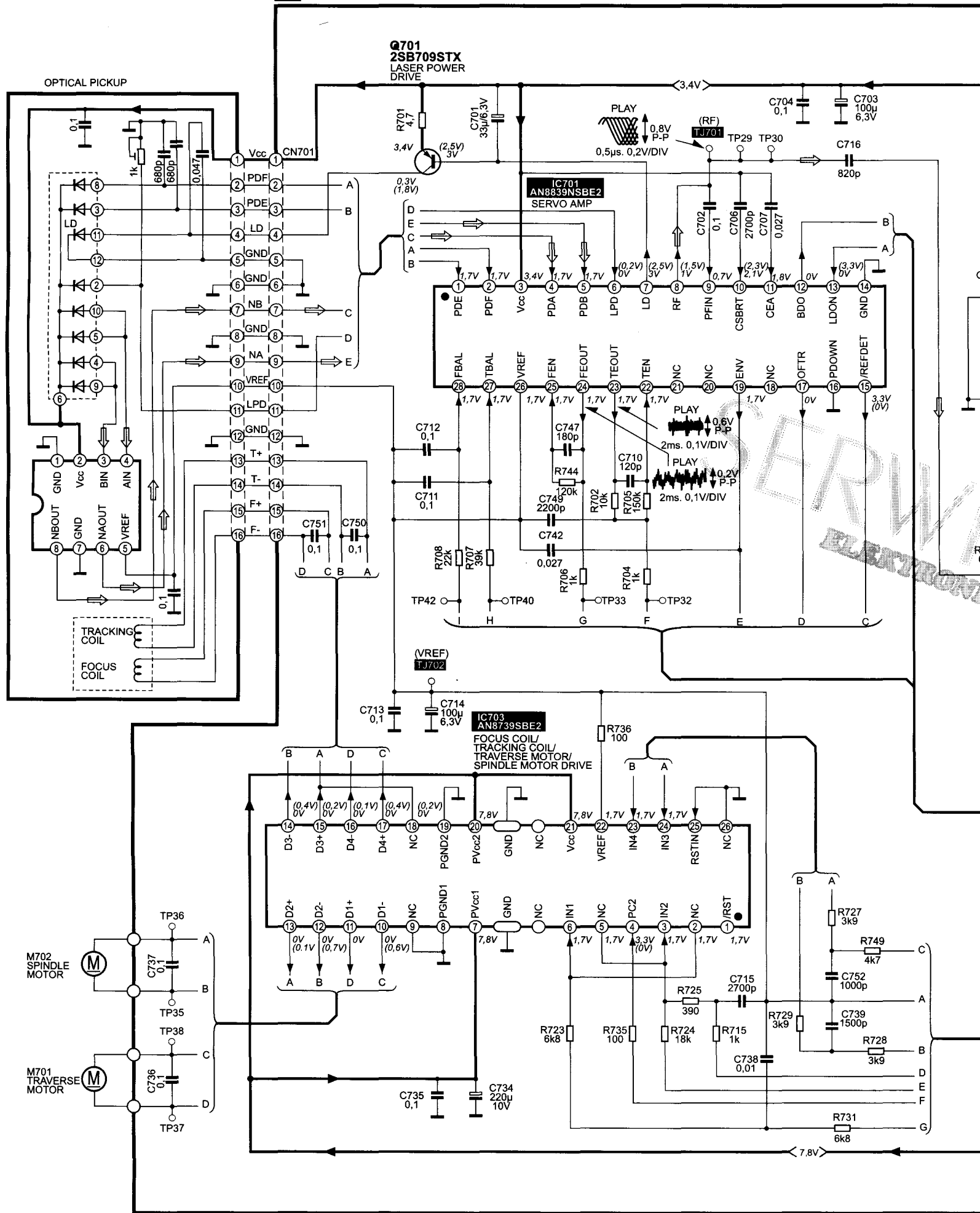


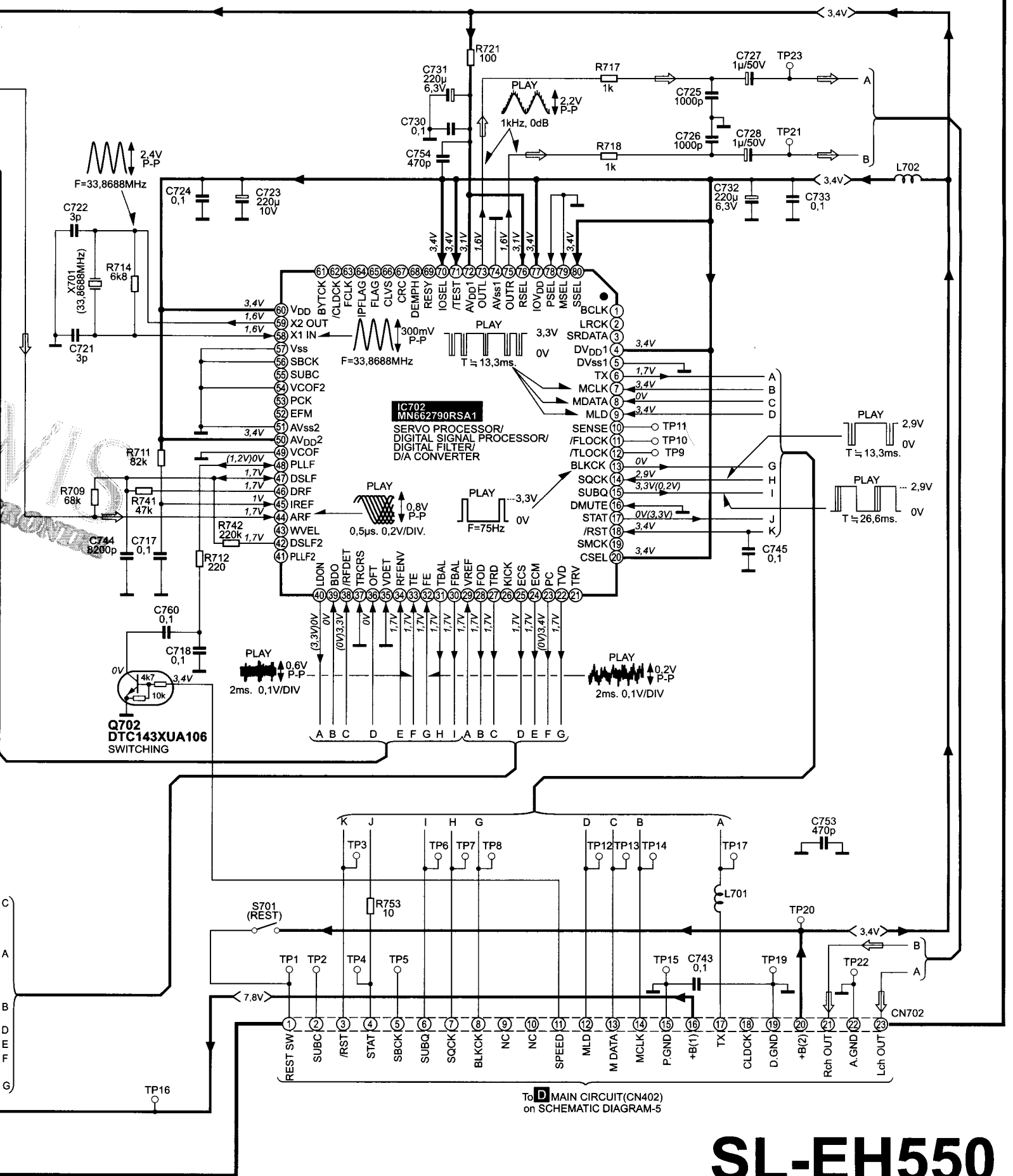
# RS-EH750

• SH-EH550 - procesor dźwięku,  
n, SB-EH550 - głośniki (strona 3/4)

# A CD SERVO CIRCUIT

→ : POSITIVE VOLTAGE LINE    ⇨ : CD SIGNAL LINE



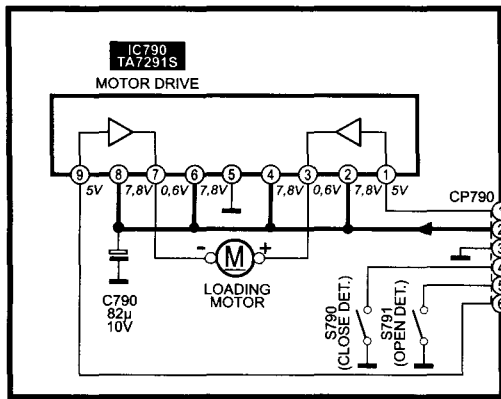


To MAIN CIRCUIT(CN402)  
on SCHEMATIC DIAGRAM-5

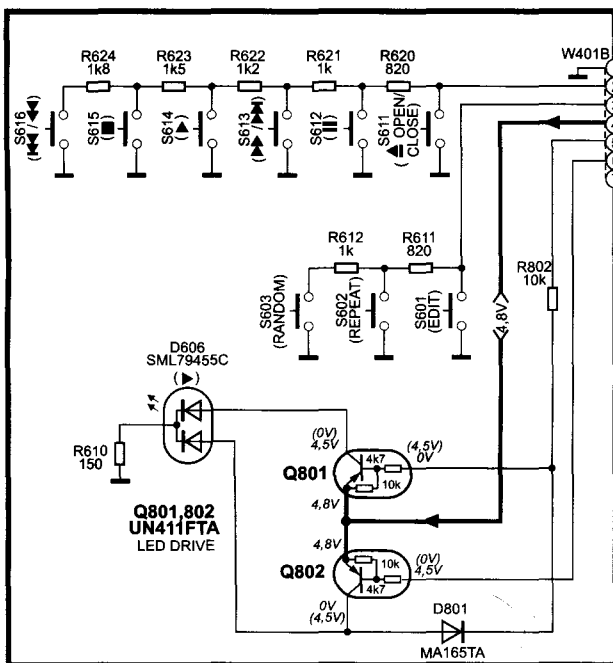
# SL-EH550

→  
POSITIVE VOLTAGE LINE

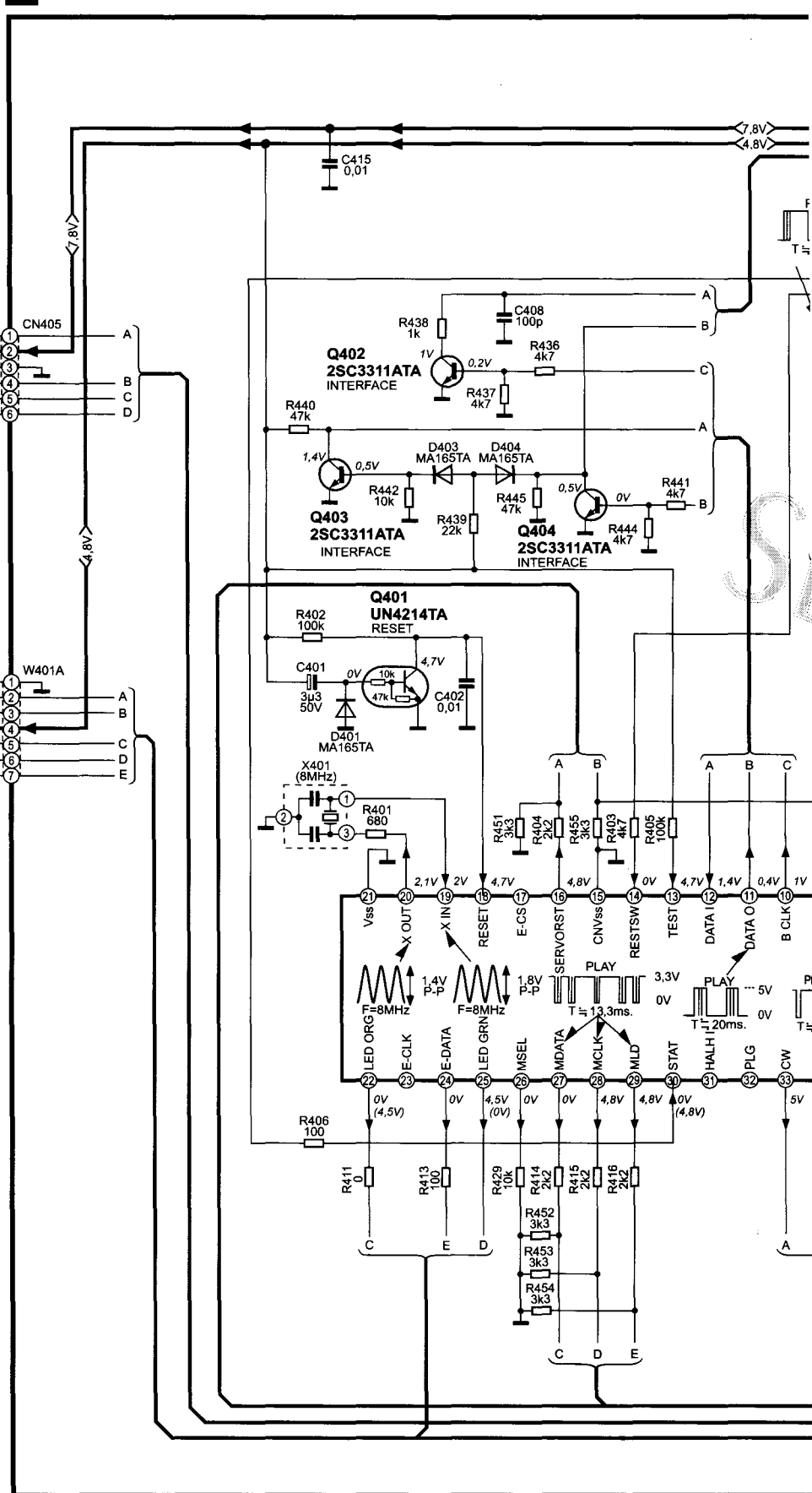
### B LOADING MOTOR CIRCUIT



### C OPERATION CIRCUIT

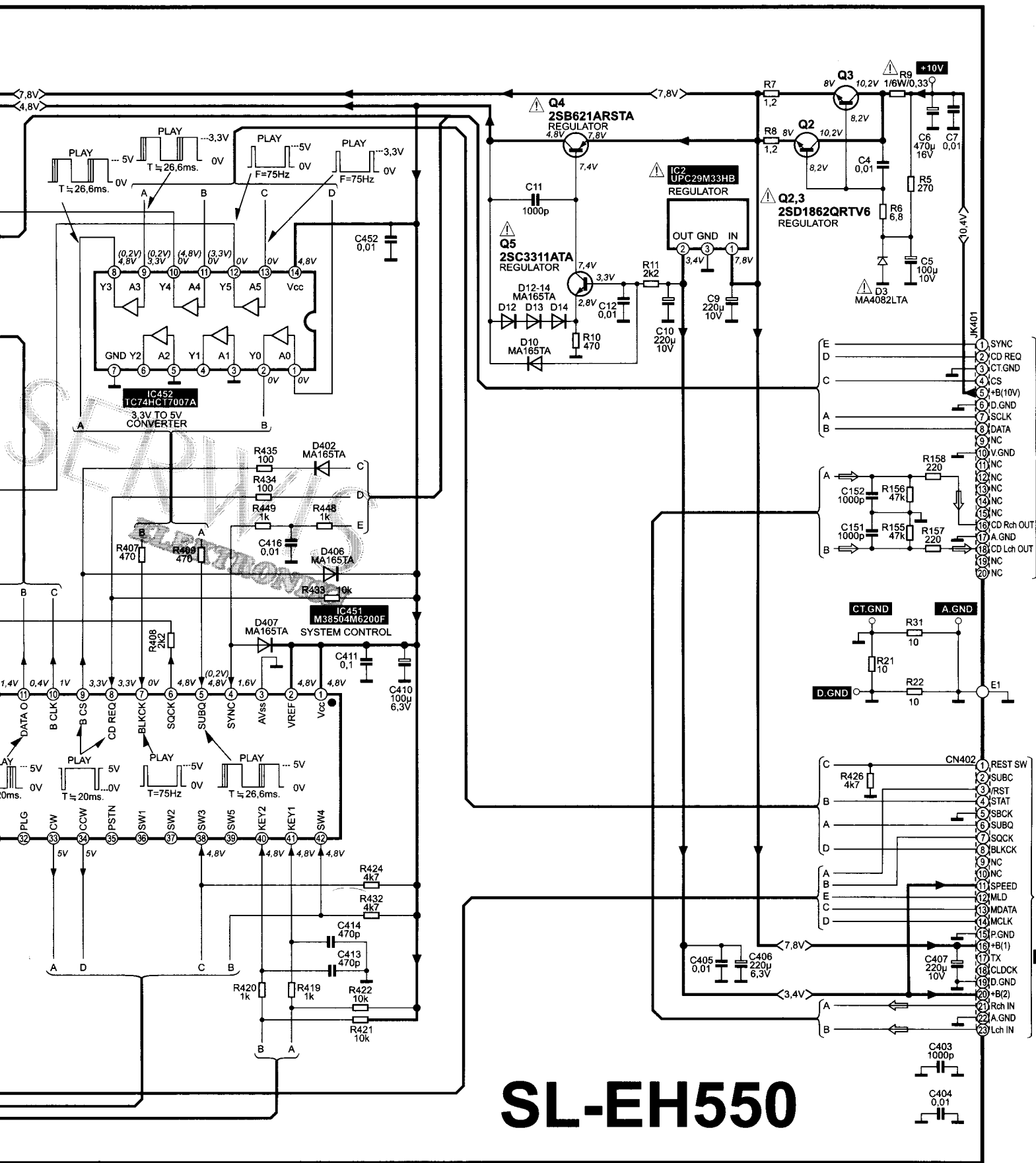


### D MAIN CIRCUIT



**Uwaga:** Schemat amplitunera SA-EH550 został opublikowany w dodatkowej wkładce do SE7/2002

**Zestaw audio Technics SC-EH550: SH- SA-EH500 - amplituner, SL-EH550 - CD, RS-EH750 - magnetofon, SB-**



# SL-EH550

SH-EH550 - procesor dźwięku,  
 SB-EH550 - głośniki (strona 4/4)

DW\_SE4/2004