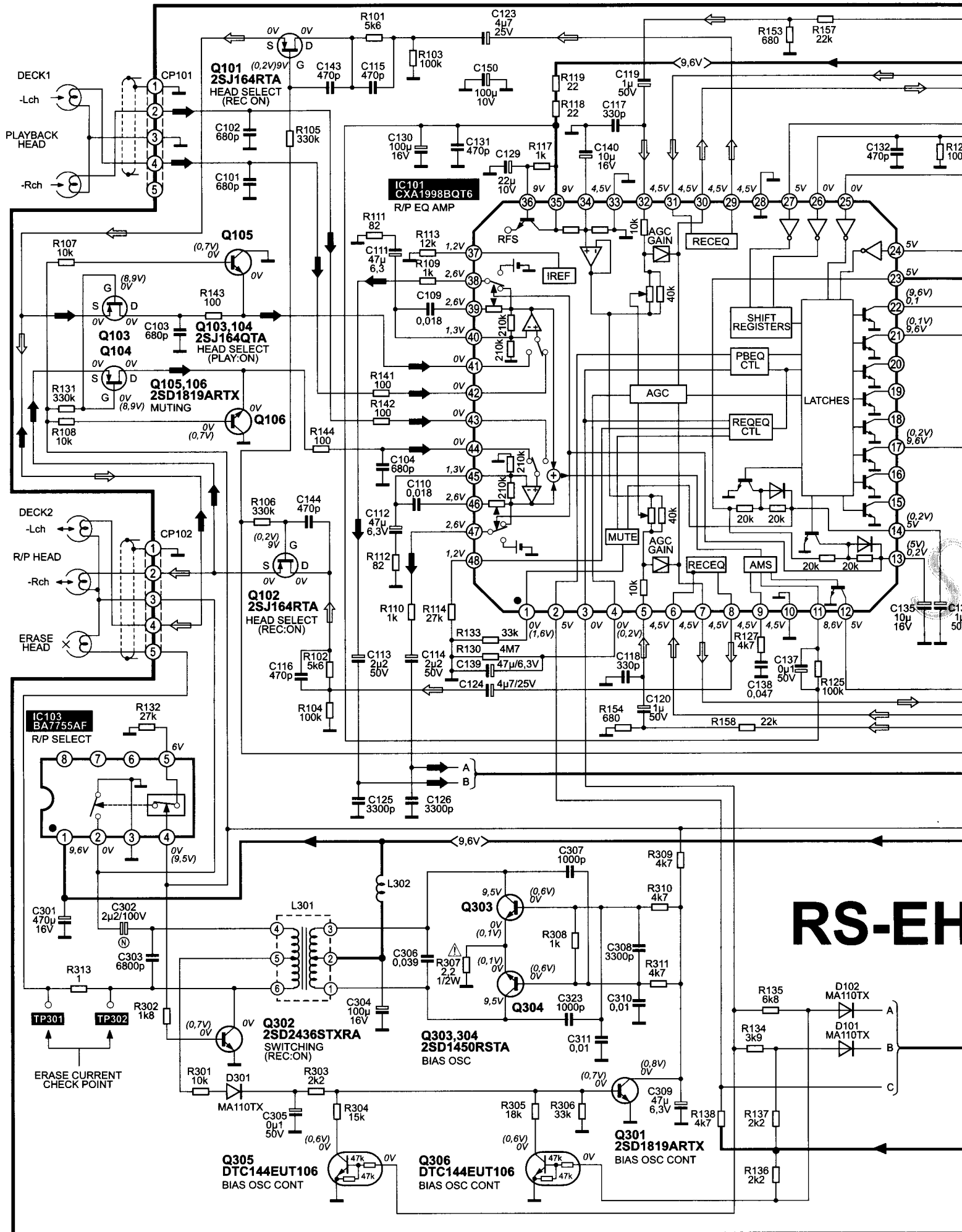
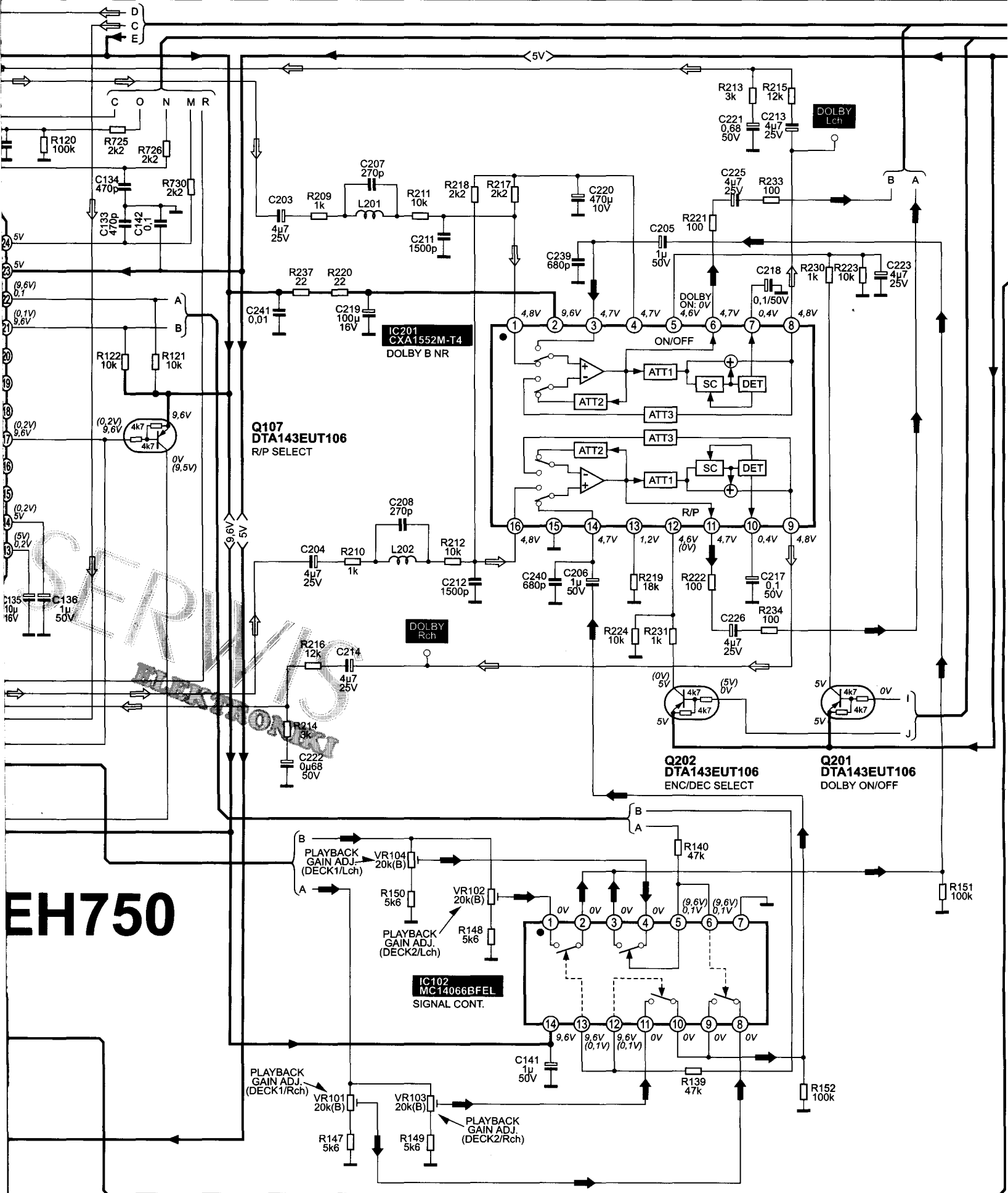


A MAIN CIRCUIT

→ : POSITIVE VOLTAGE LINE ⇨ : RECORDING SIGNAL LINE ⇩ : PLAYBACK SIGNAL LINE



RS-EH



EH750

DOLBY Lch

IC201
CXA1552M-T4
DOLBY B NR

Q107
DTA143EUT106
R/P SELECT

DOLBY Rch

Q202
DTA143EUT106
ENC/DEC SELECT

Q201
DTA143EUT106
DOLBY ON/OFF

IC102
MC14066BFEL
SIGNAL CONT.

PLAYBACK GAIN ADJ.
(DECK1/Lch)

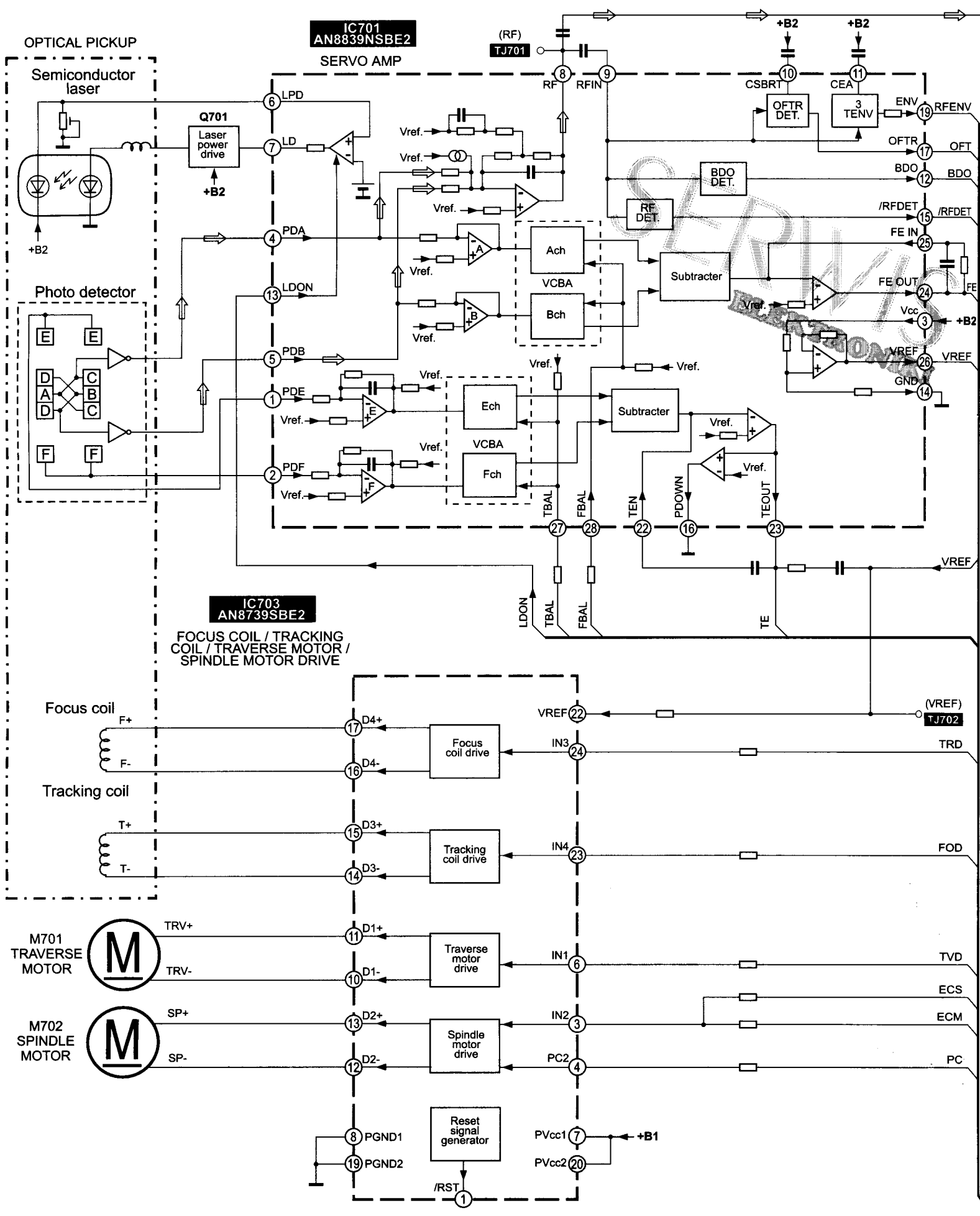
PLAYBACK GAIN ADJ.
(DECK2/Lch)

PLAYBACK GAIN ADJ.
(DECK1/Rch)

PLAYBACK GAIN ADJ.
(DECK2/Rch)

Block Diagram

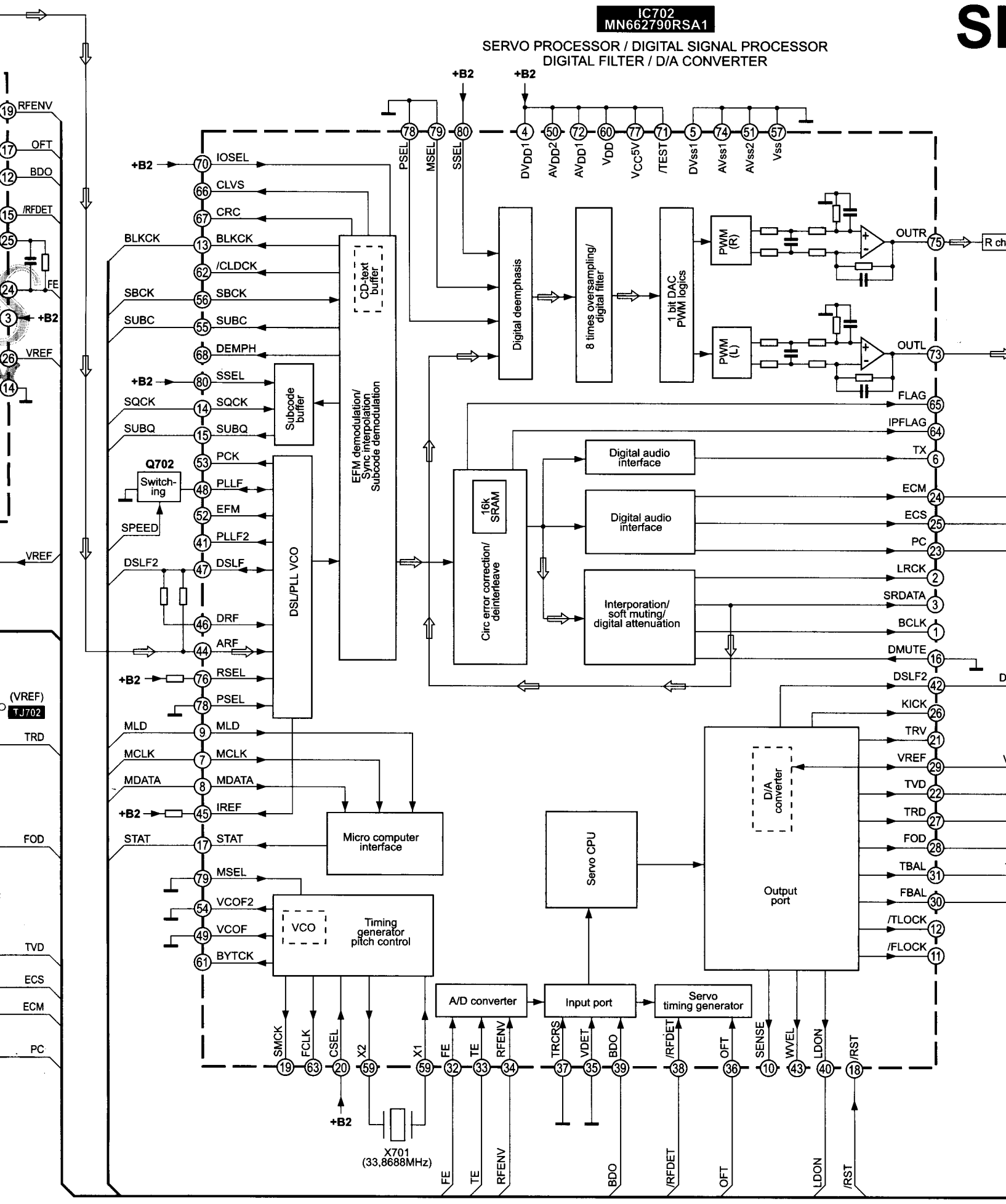
SL-EH550

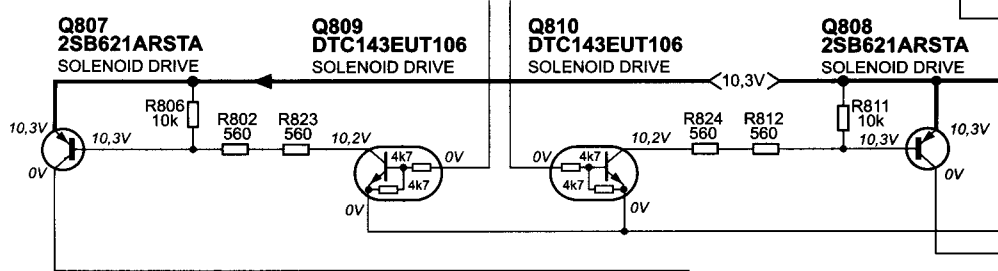


**IC702
MN62790SA1**

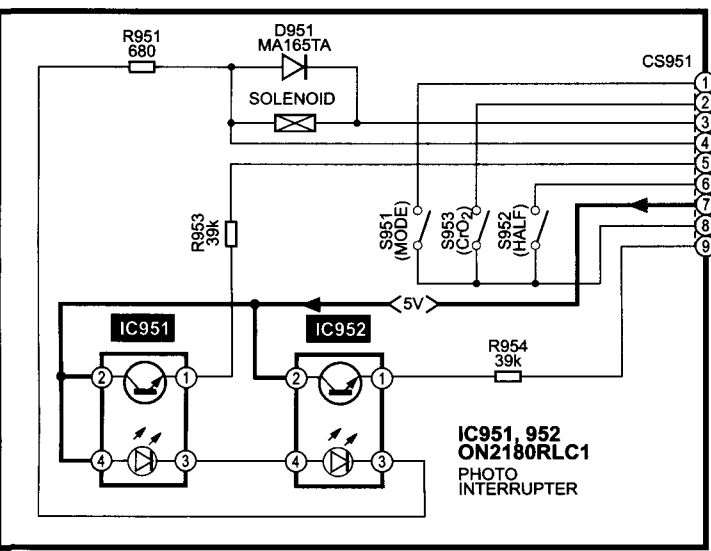
**SERVO PROCESSOR / DIGITAL SIGNAL PROCESSOR
DIGITAL FILTER / D/A CONVERTER**

SI

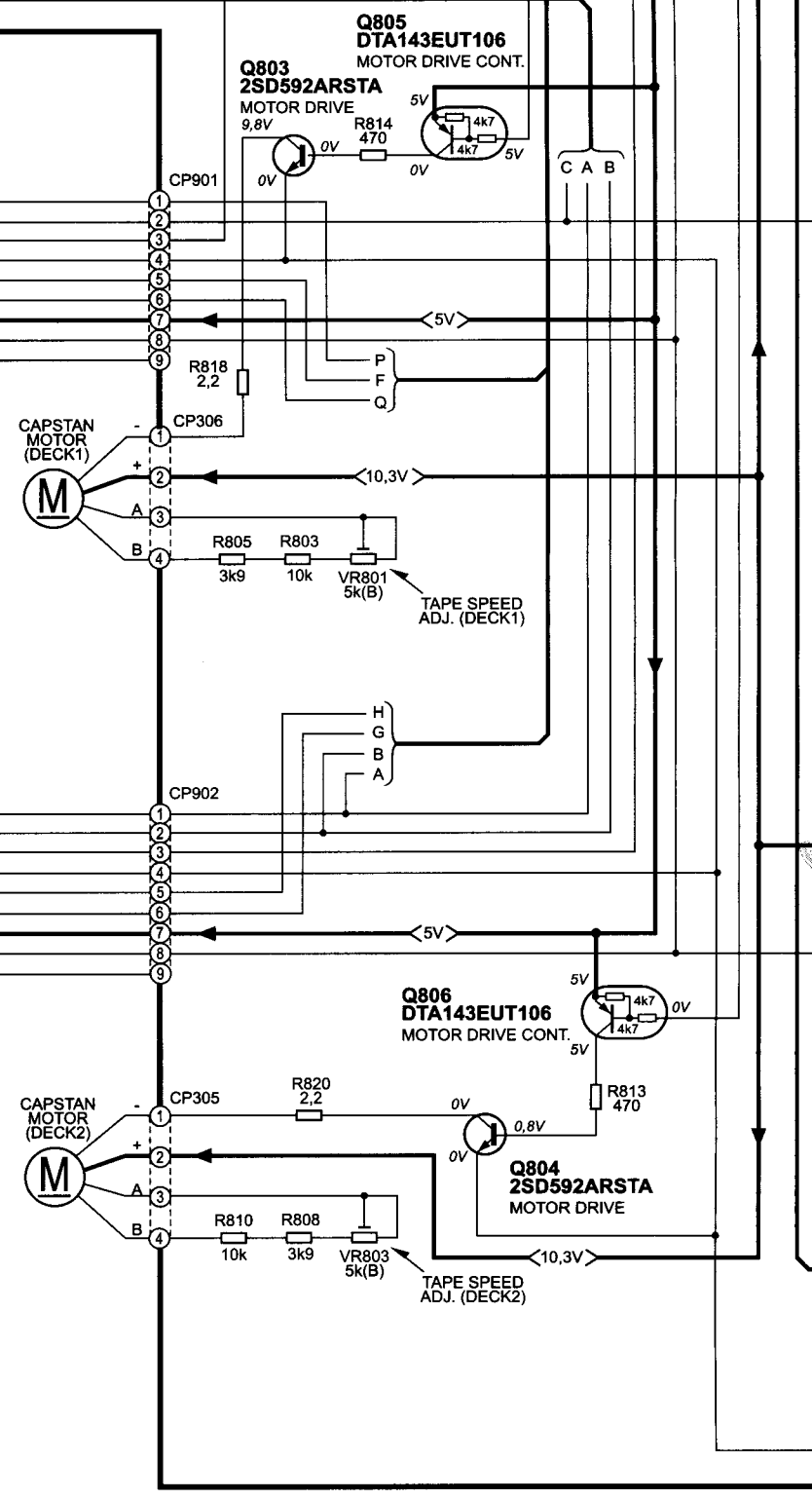
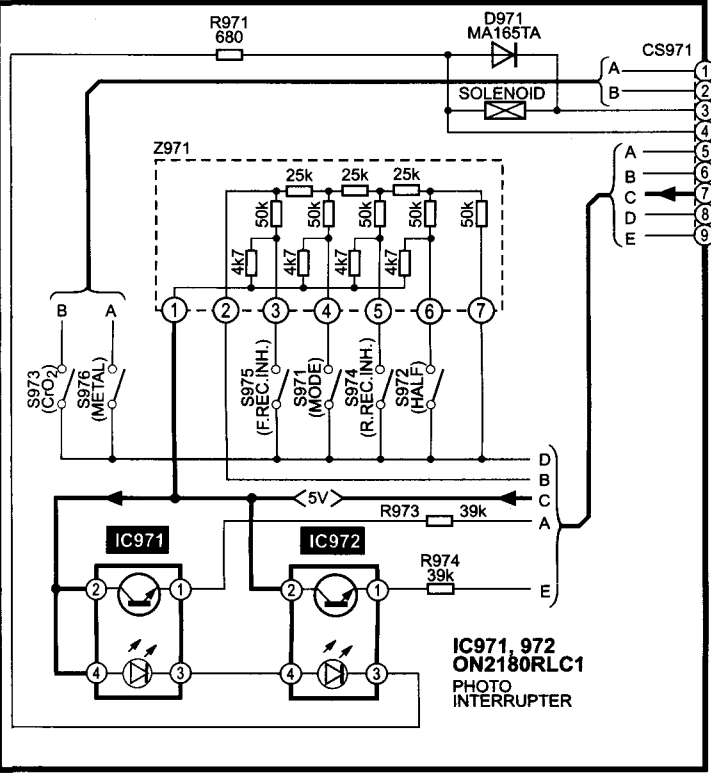


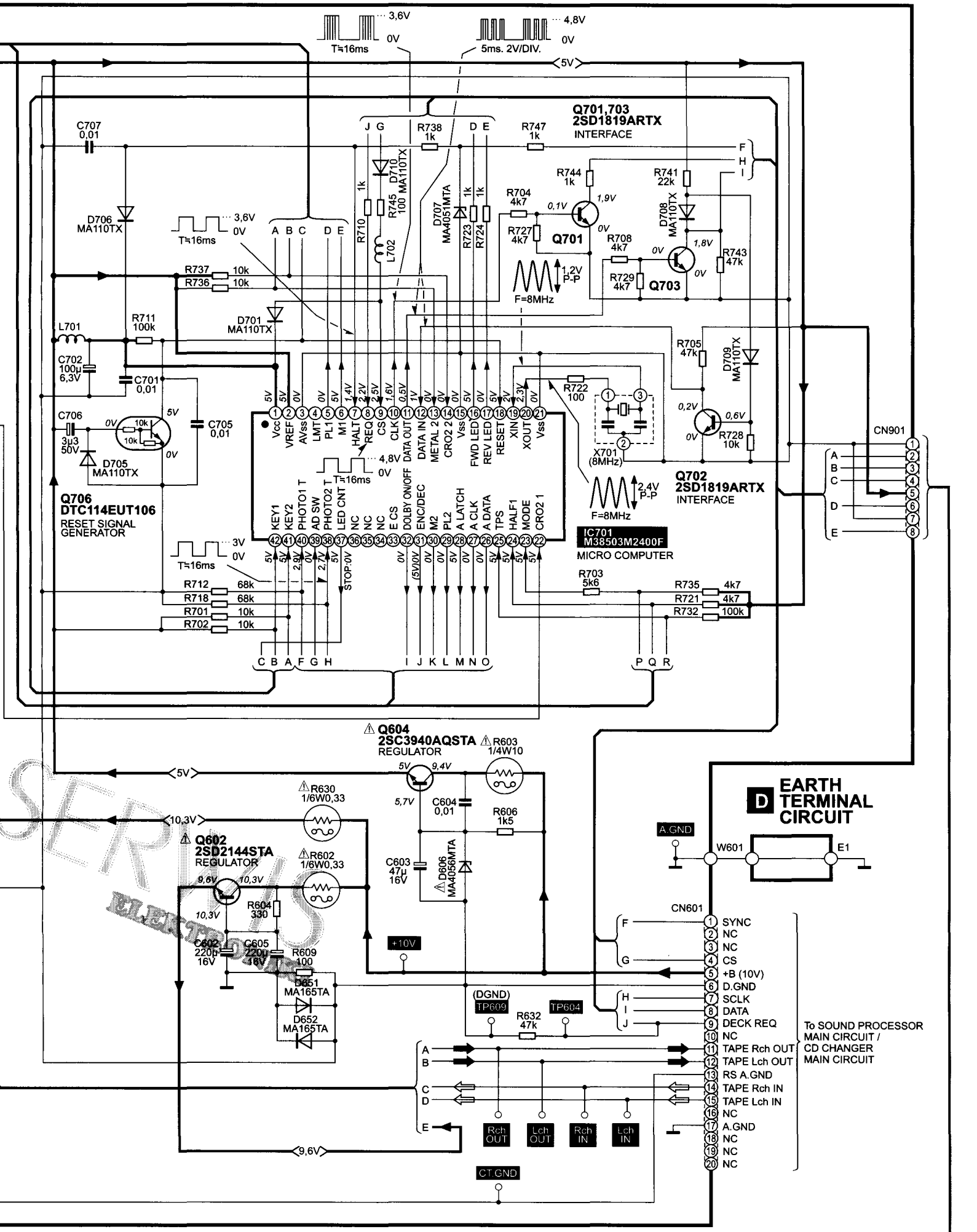


B MECHANISM CIRCUIT (DECK1)



C MECHANISM CIRCUIT (DECK2)

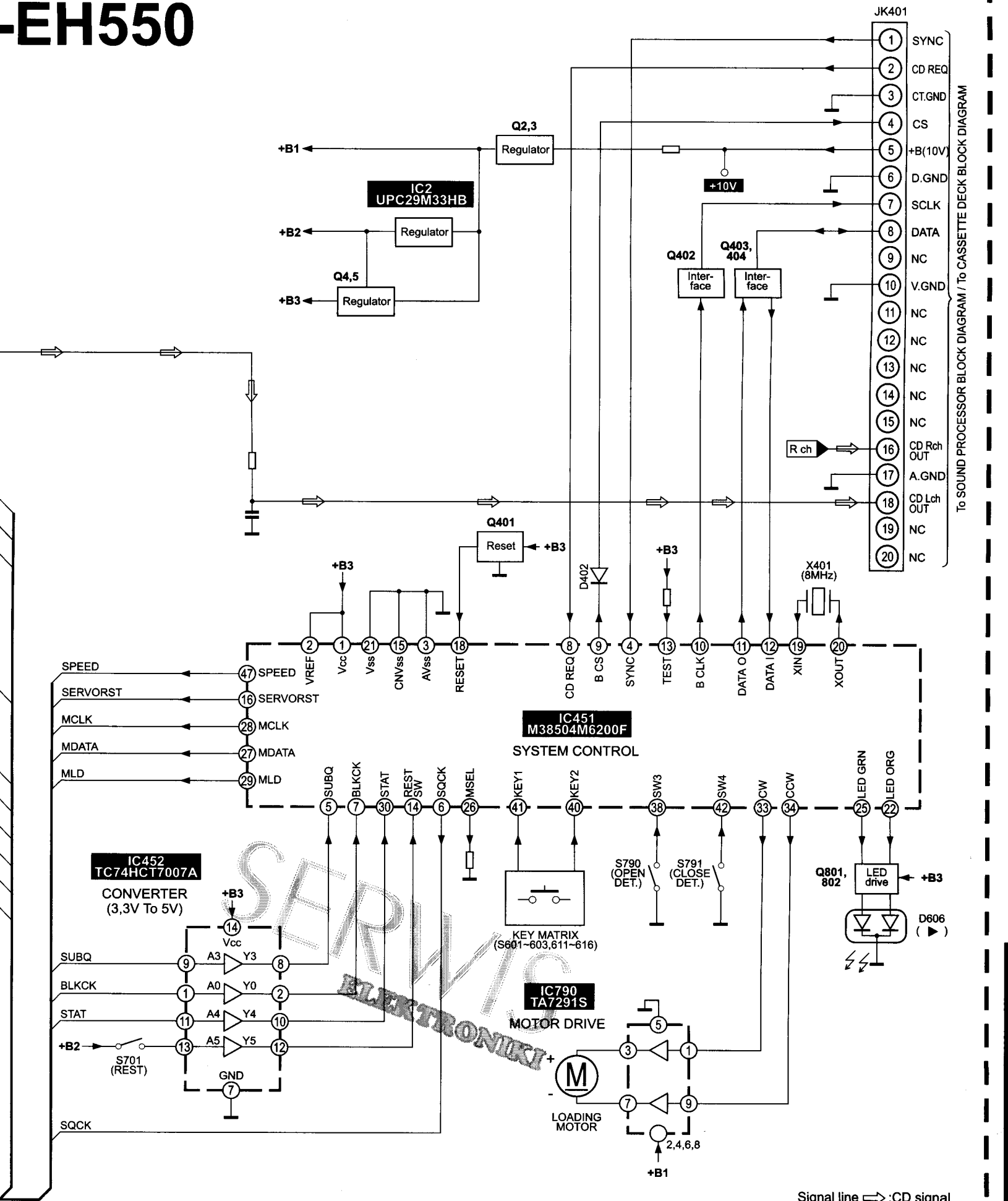




SERIES
ELECTRONICS

To SOUND PROCESSOR
MAIN CIRCUIT /
CD CHANGER
MAIN CIRCUIT

-EH550

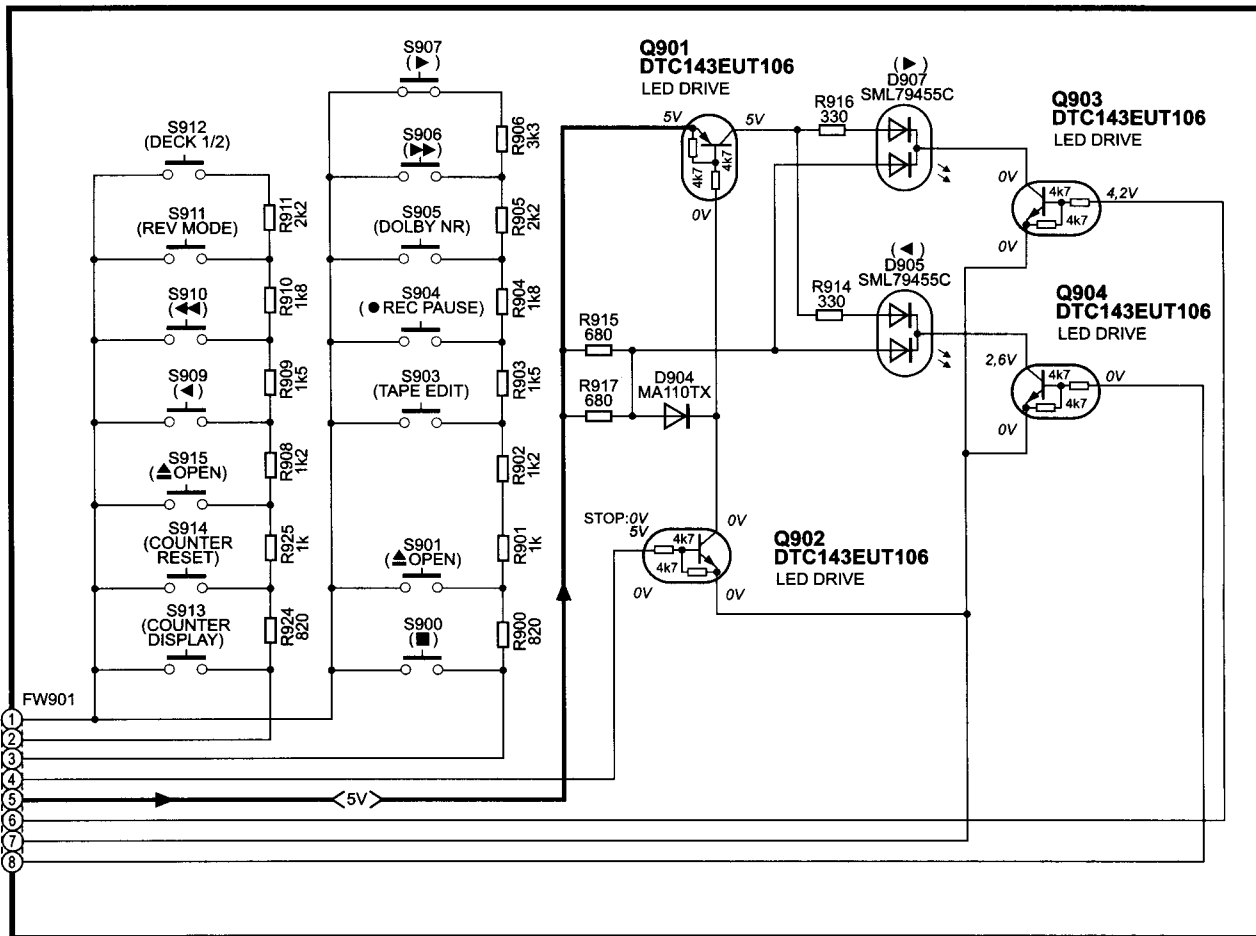


To SOUND PROCESSOR BLOCK DIAGRAM / To CASSETTE DECK BLOCK DIAGRAM

Pin	Signal
1	SYNC
2	CD REQ
3	CT.GND
4	CS
5	+B(10V)
6	D.GND
7	SCLK
8	DATA
9	NC
10	V.GND
11	NC
12	NC
13	NC
14	NC
15	NC
16	CD Rch OUT
17	A.GND
18	CD Lch OUT
19	NC
20	NC

Signal line ⇄ :CD signal

E OPERATION CIRCUIT



214

Uwaga: Schemat amplitunera SA-EH550 został opublikowany w dodatkowej wkładce do SE7/2002

DW_SE4/2004

Zestaw audio Technics SC-EH550:

SH-EH550 - procesor dźwięku,

SA-EH500 - amplituner,

SL-EH550 - CD,

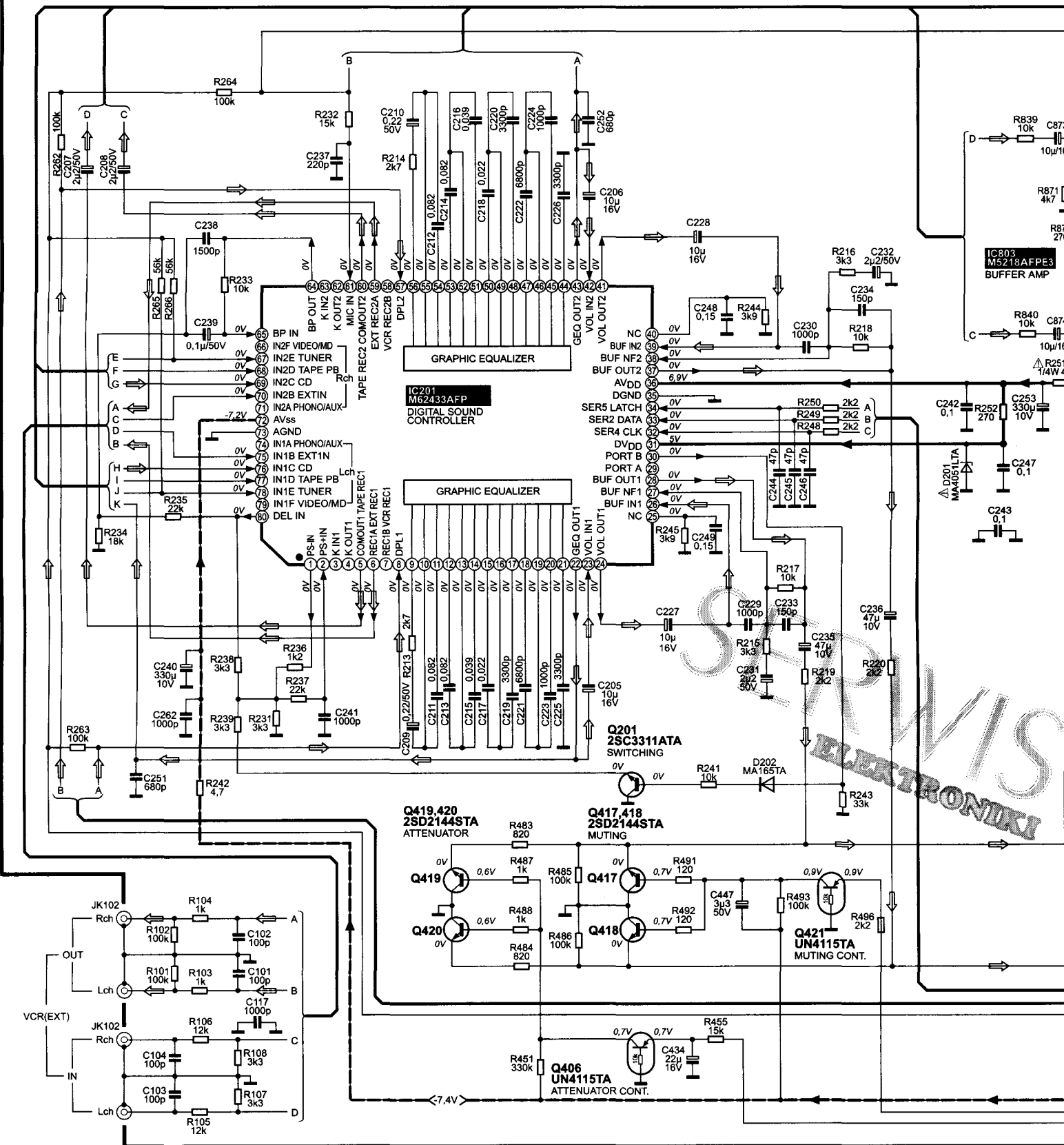
RS-EH750 - magnetofon,

SB-EH550 - głośniki

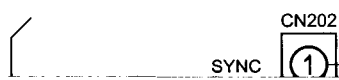
(strona 1/4)

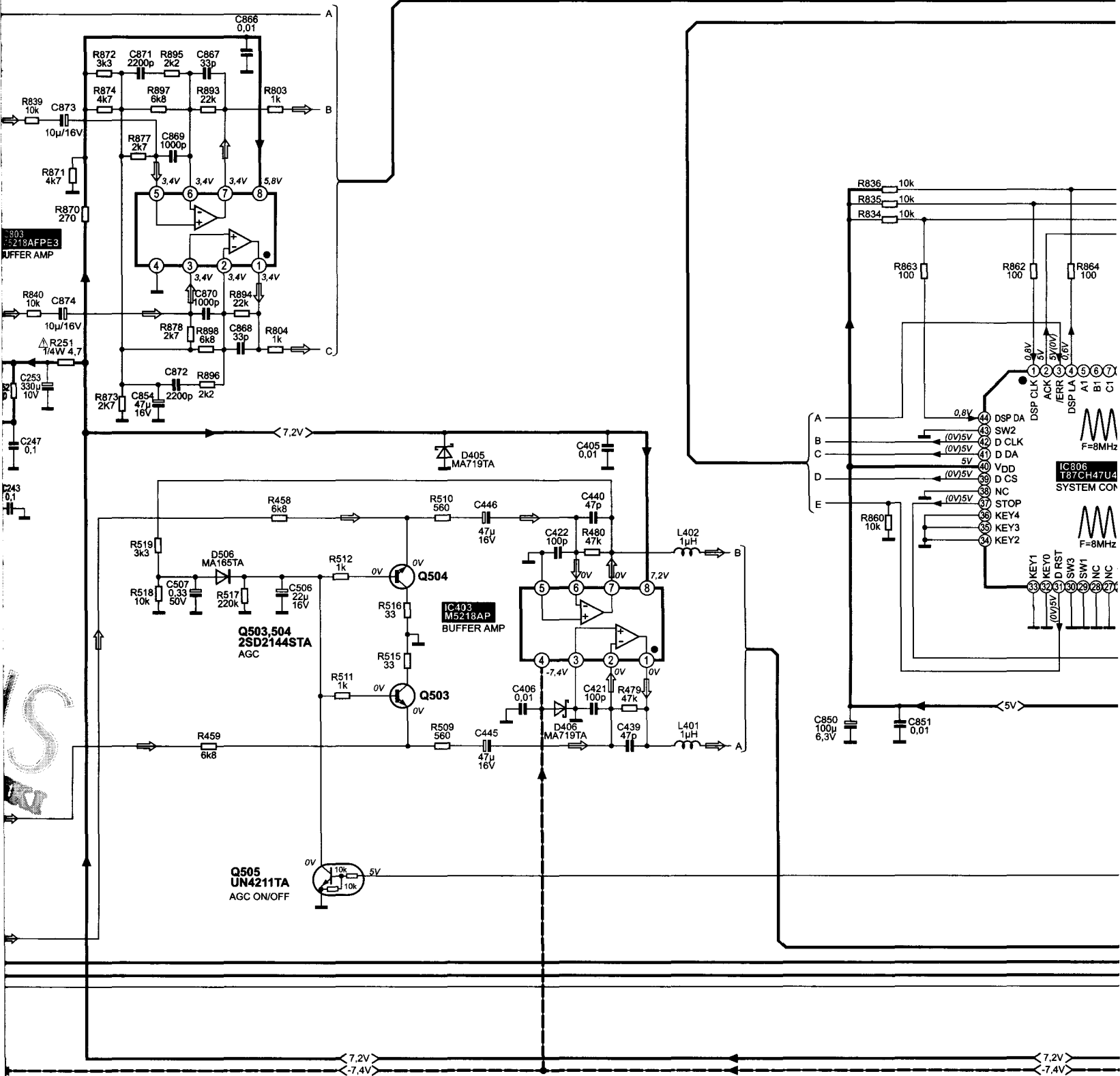
B MAIN CIRCUIT

→ : POSITIVE VOLTAGE LINE ⇨ : CD SIGNAL LINE
 - - - : NEGATIVE VOLTAGE LINE



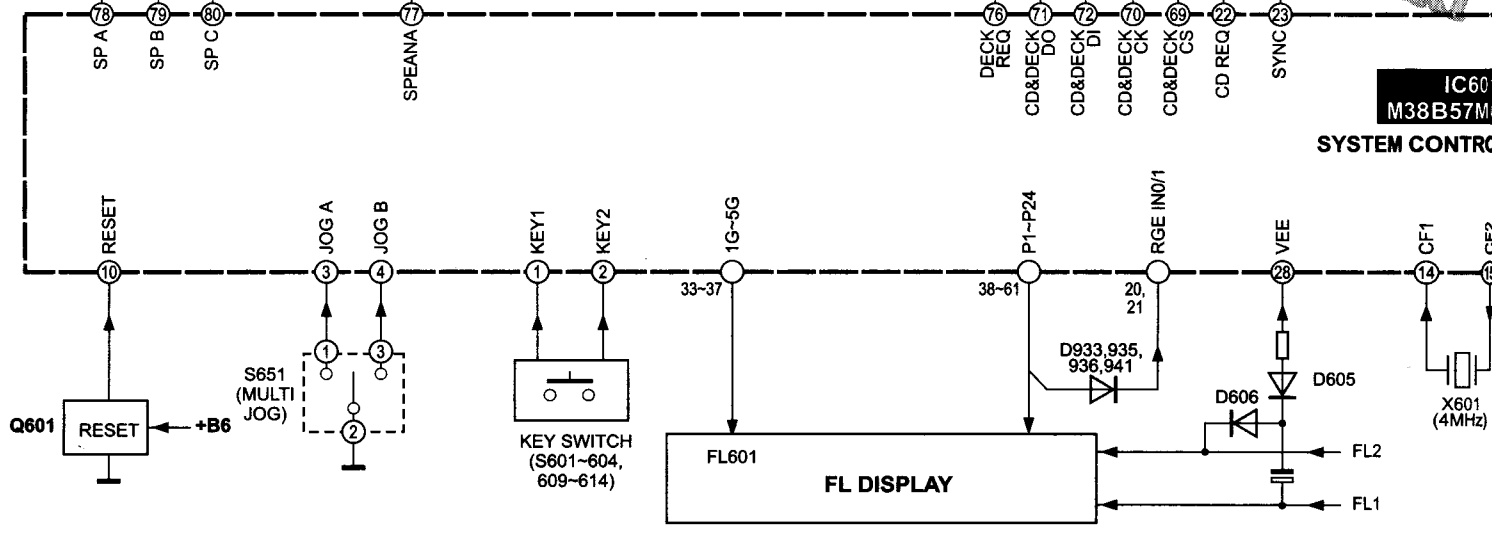
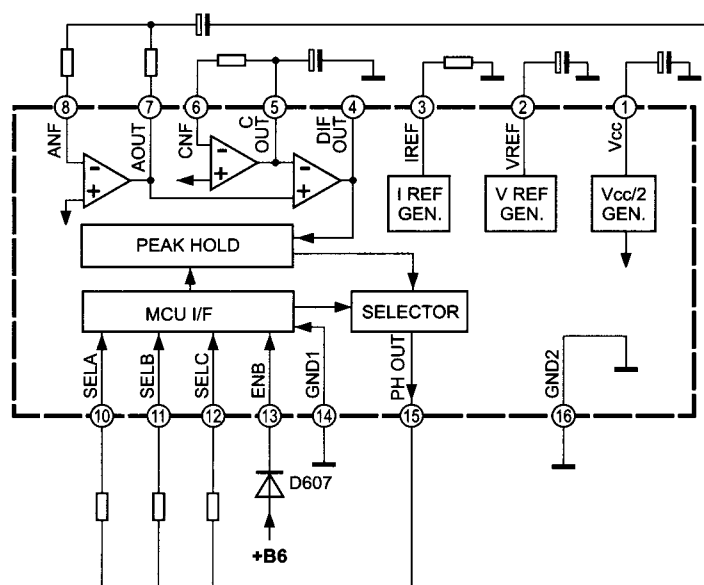
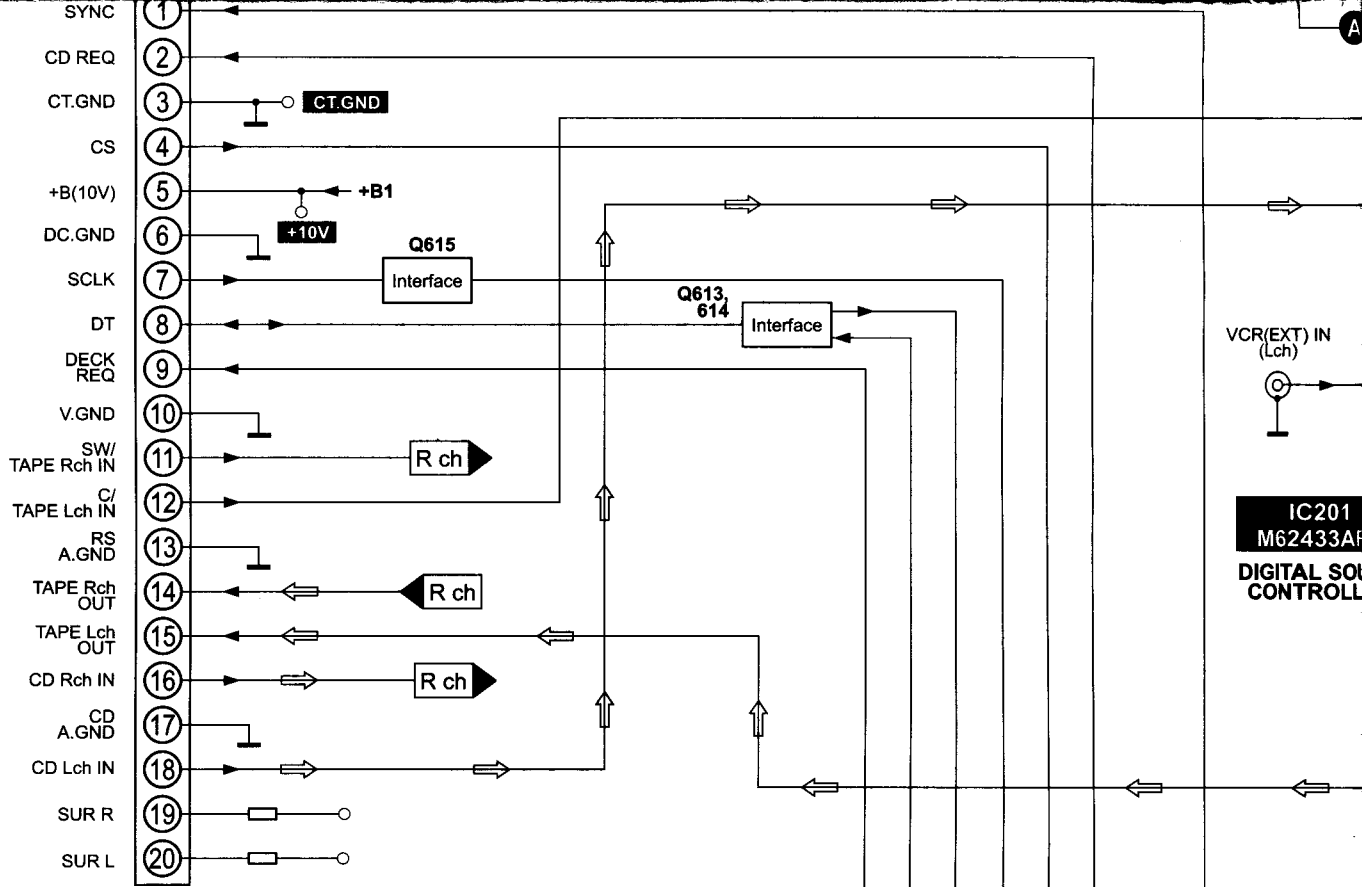
Block Diagram

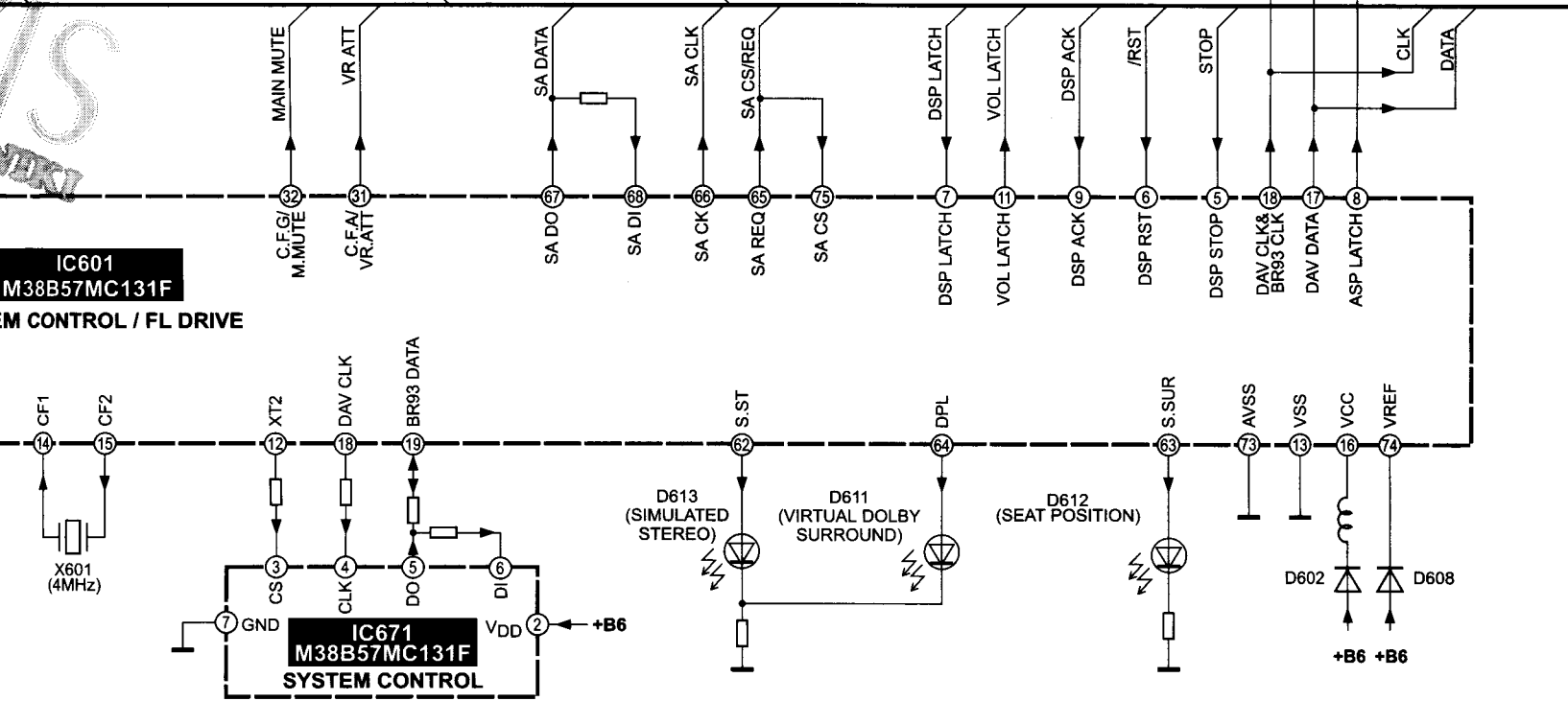
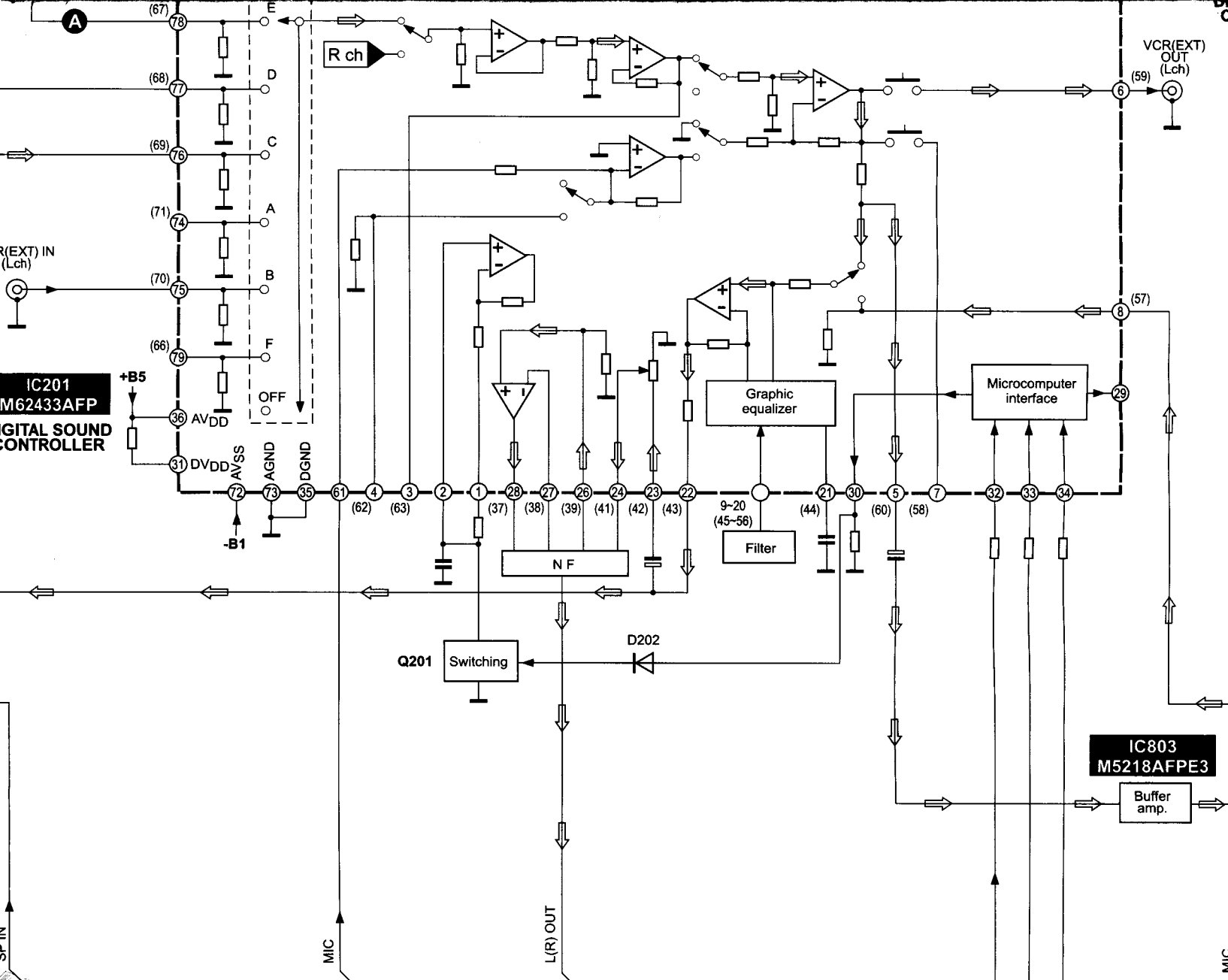


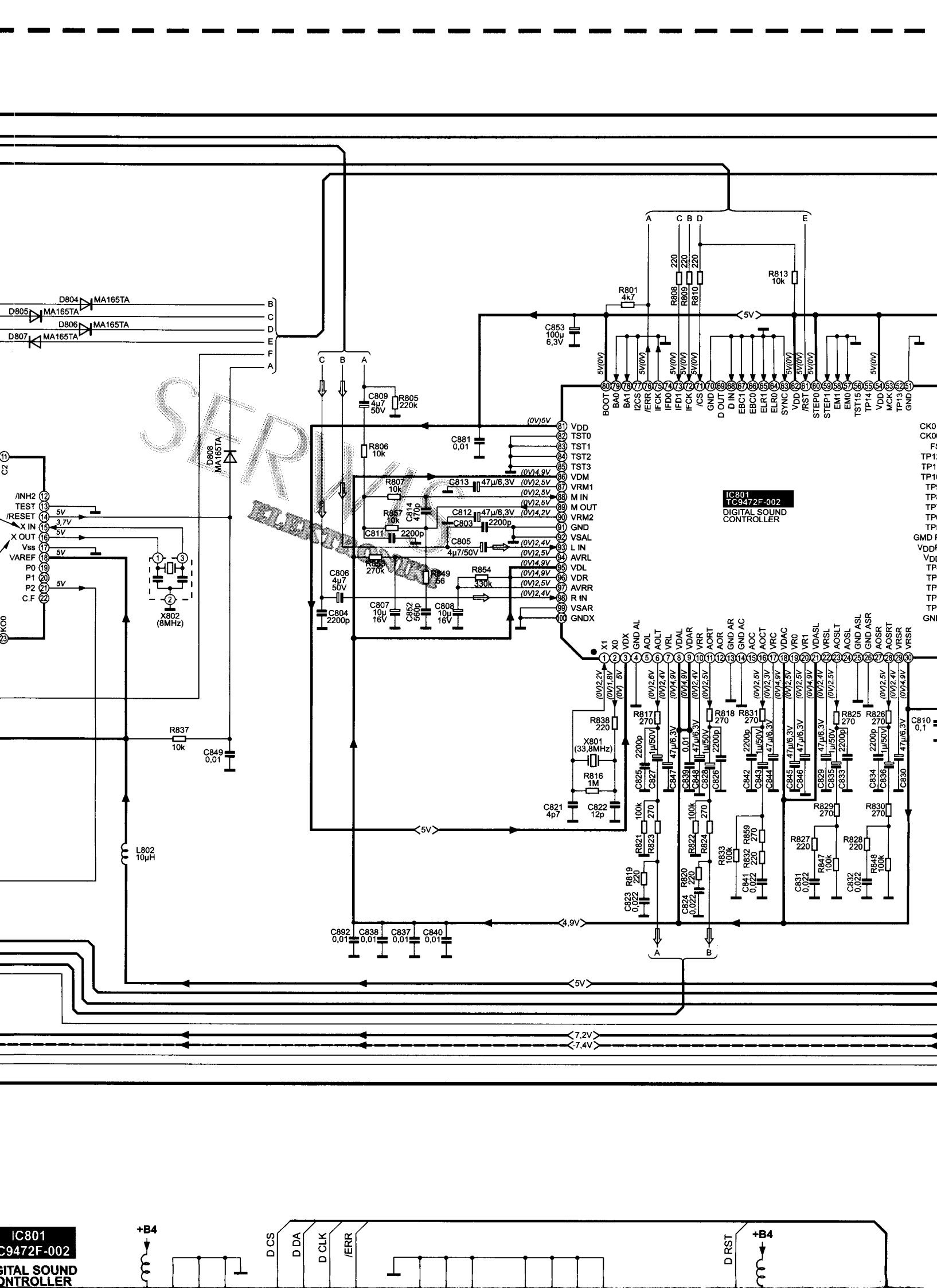


SH-EH550

CD PLAYER
BLOCK DIAGRAM
CASSETTE DECK
BLOCK DIAGRAM





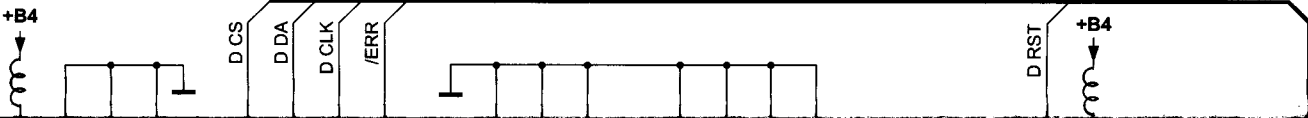


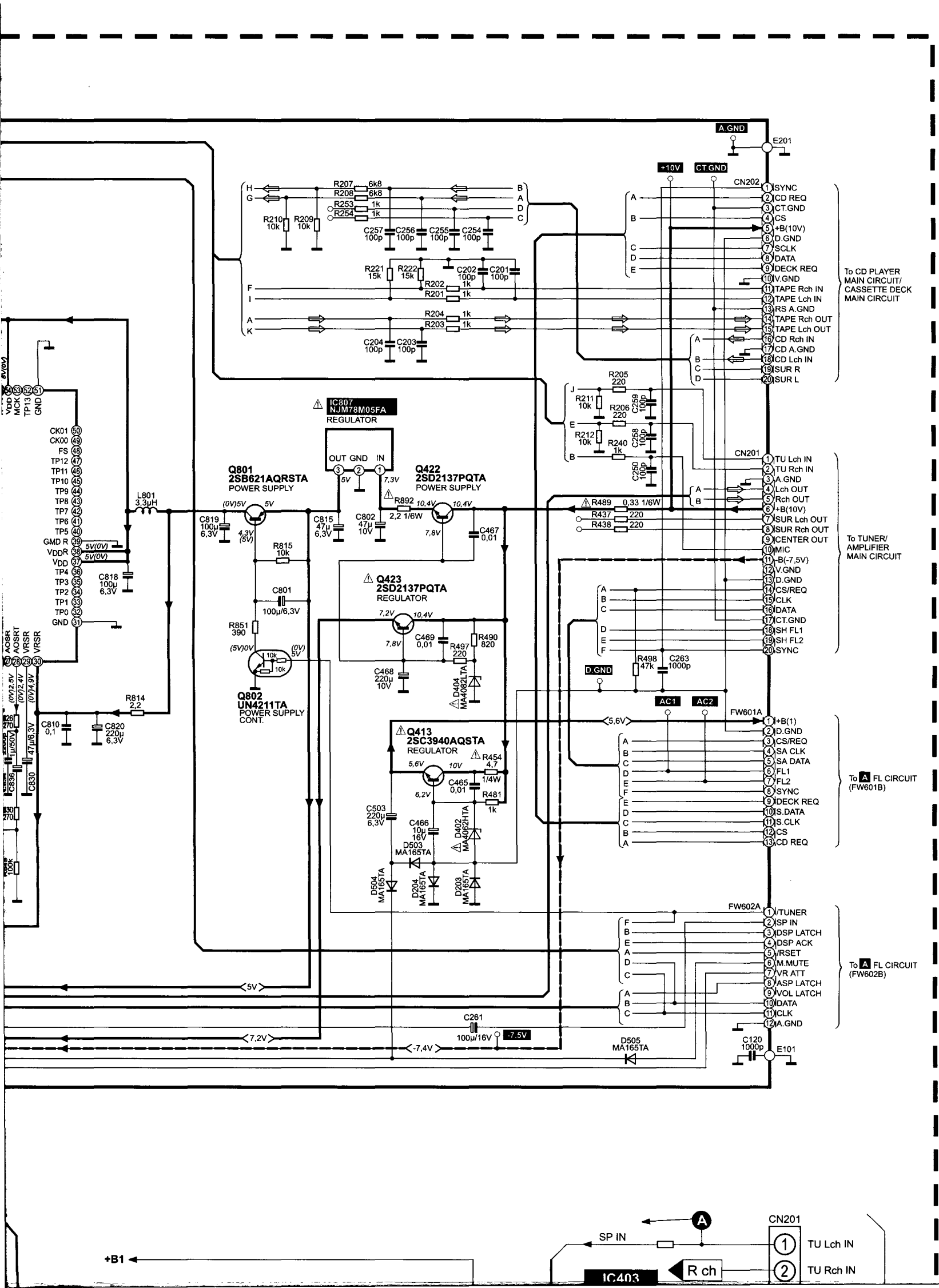
SERV

ELECTRONICS

IC801
TC9472F-002
DIGITAL SOUND
CONTROLLER

IC801
TC9472F-002
DIGITAL SOUND
CONTROLLER





To CD PLAYER
MAIN CIRCUIT/
CASSETTE DECK
MAIN CIRCUIT

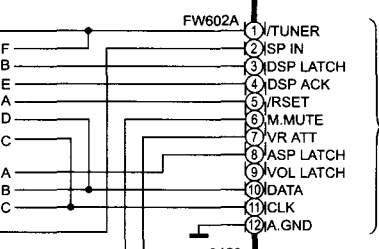
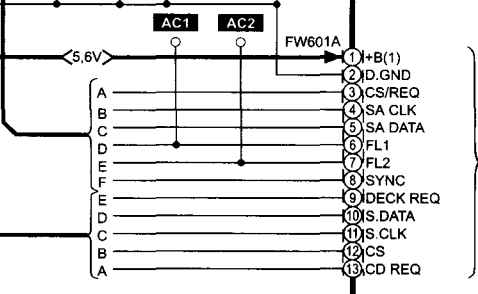
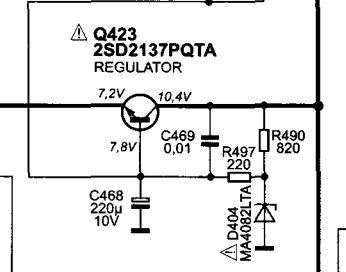
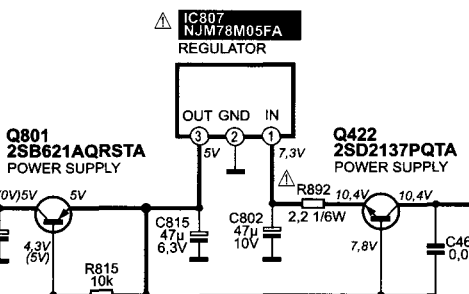
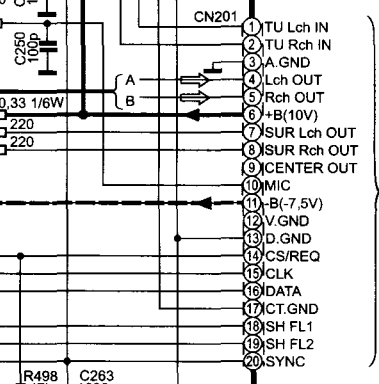
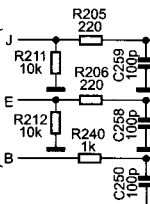
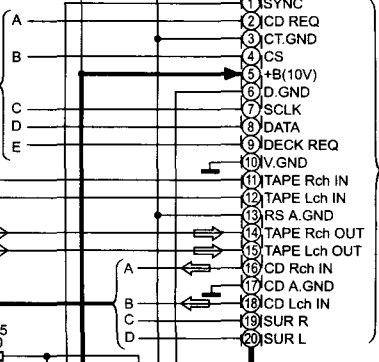
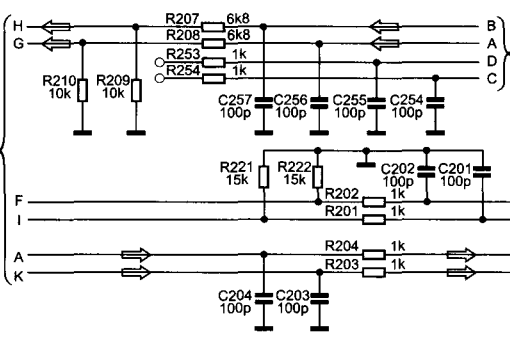
To TUNER/
AMPLIFIER
MAIN CIRCUIT

To FL CIRCUIT
(FW601B)

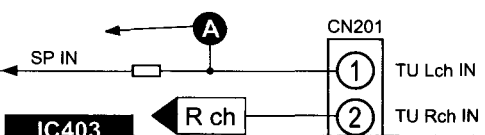
To FL CIRCUIT
(FW602B)

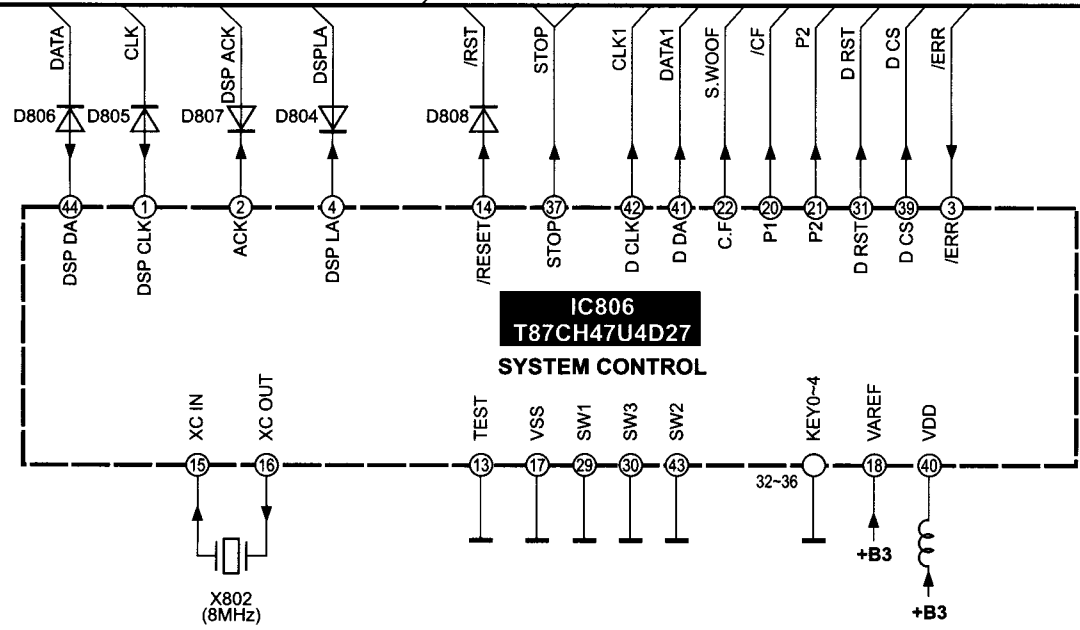
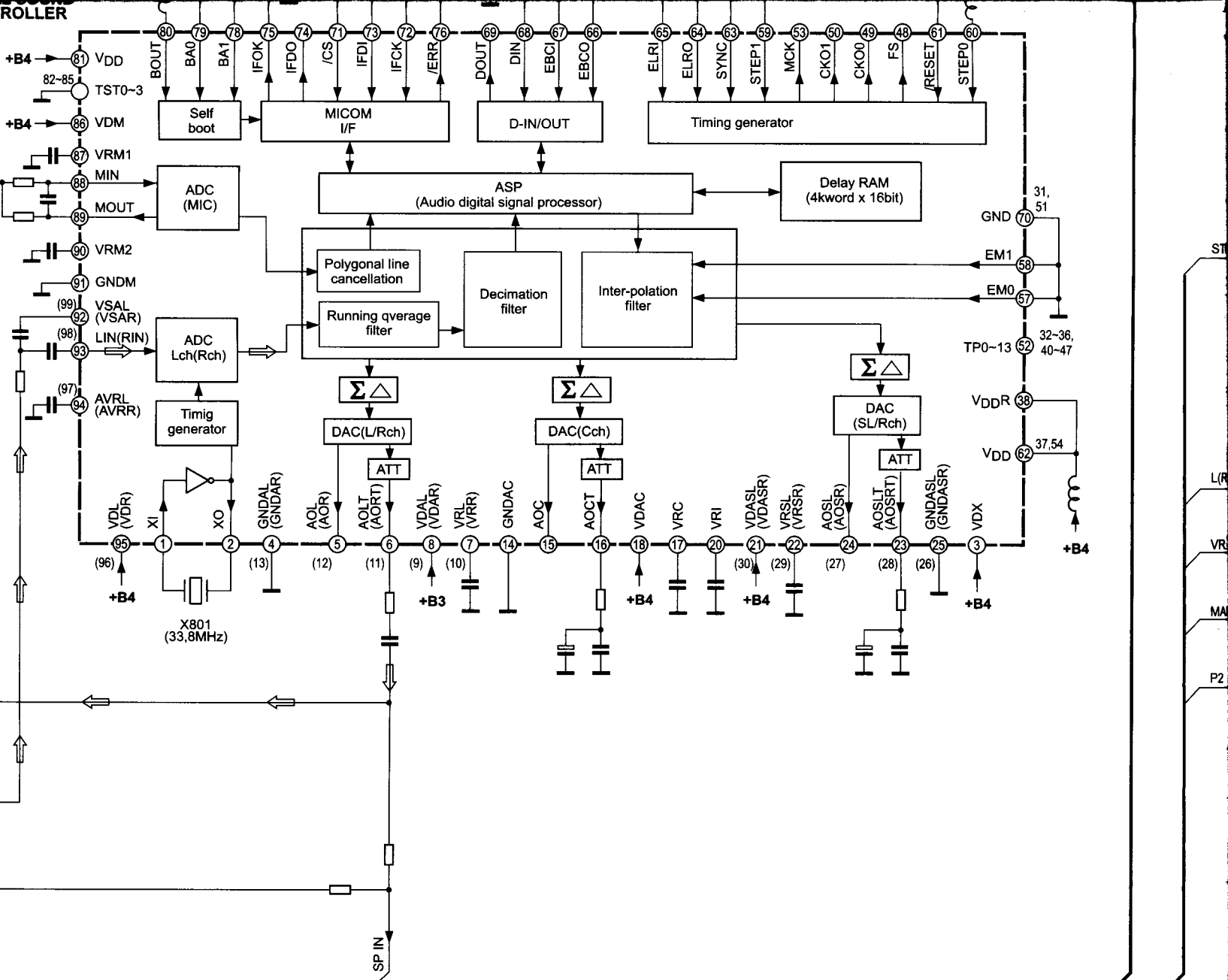
A.GND
E201

+10V CT.GND



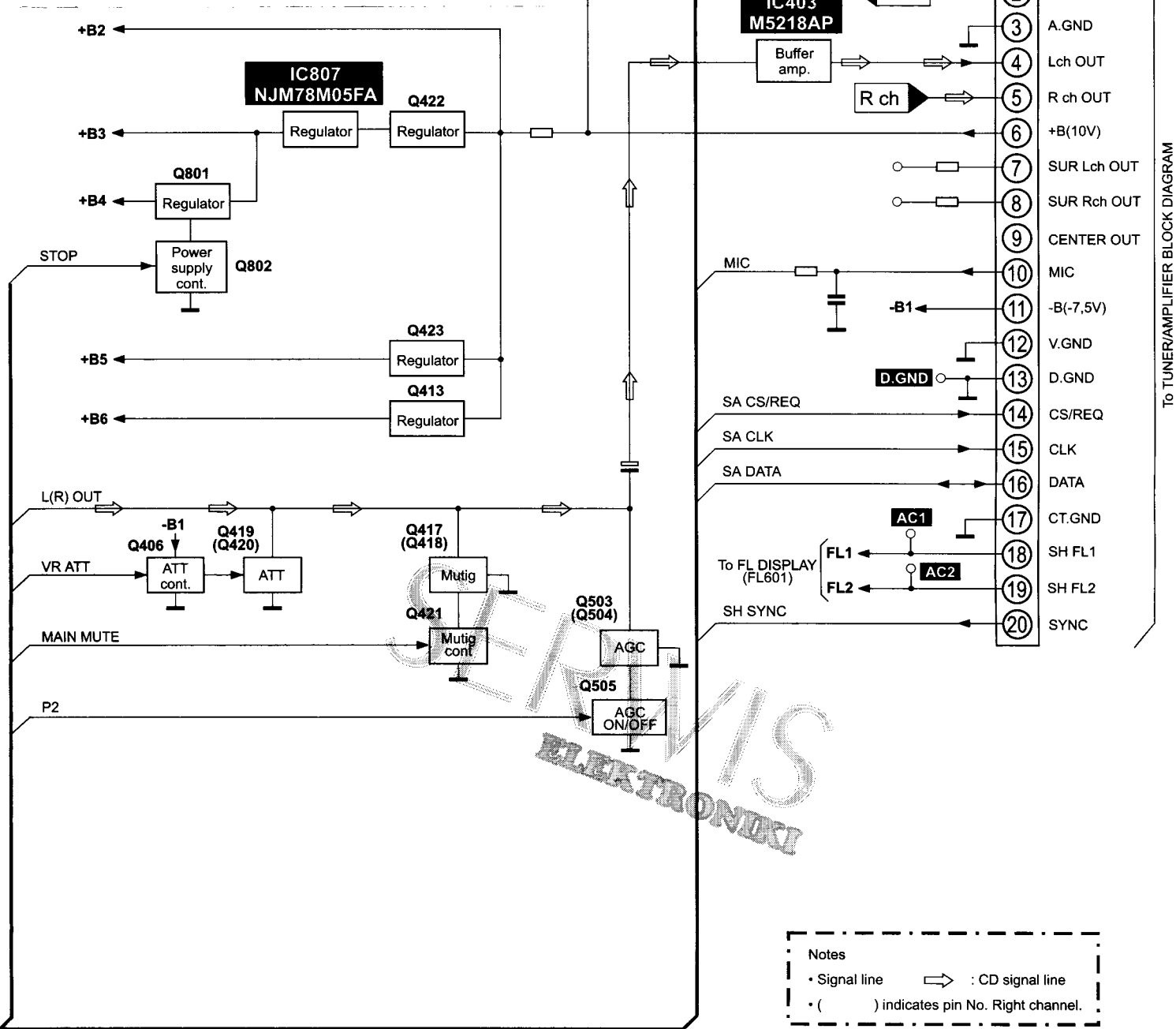
+B1





Uwag

S



To TUNER/AMPLIFIER BLOCK DIAGRAM

Notes
 • Signal line \Rightarrow : CD signal line
 • () indicates pin No. Right channel.

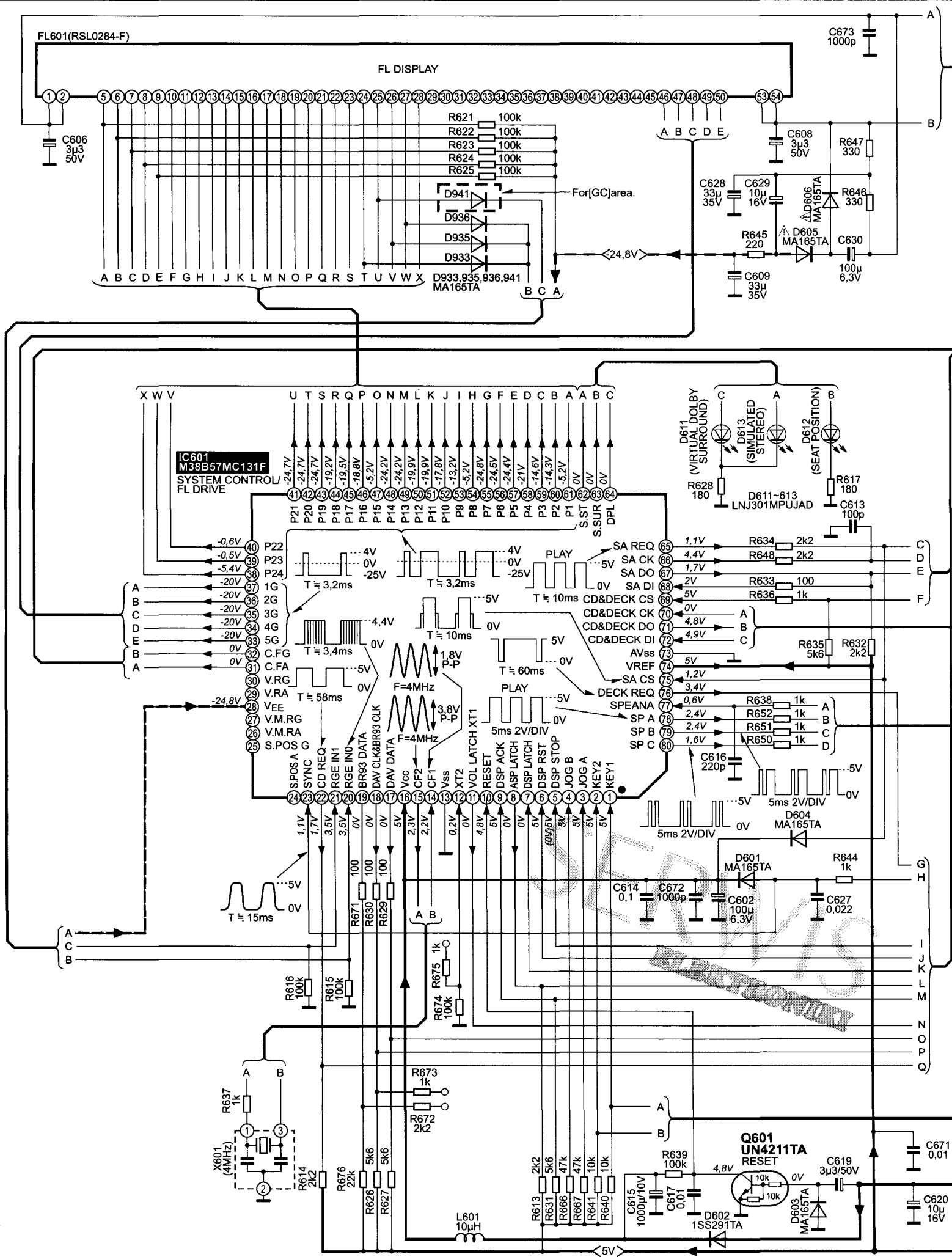
Uwaga: Schemat amplitunera SA-EH550 został opublikowany w dodatkowej wkładce do SE7/2002

DW_SE4/2004

Zestaw audio Technics SC-EH550:
SH-EH550 - procesor dźwięku, SA-EH500 - amplituner,
SL-EH550 - CD, RS-EH750 - magnetofon, SB-EH550 - głośniki
 (strona 2/4)

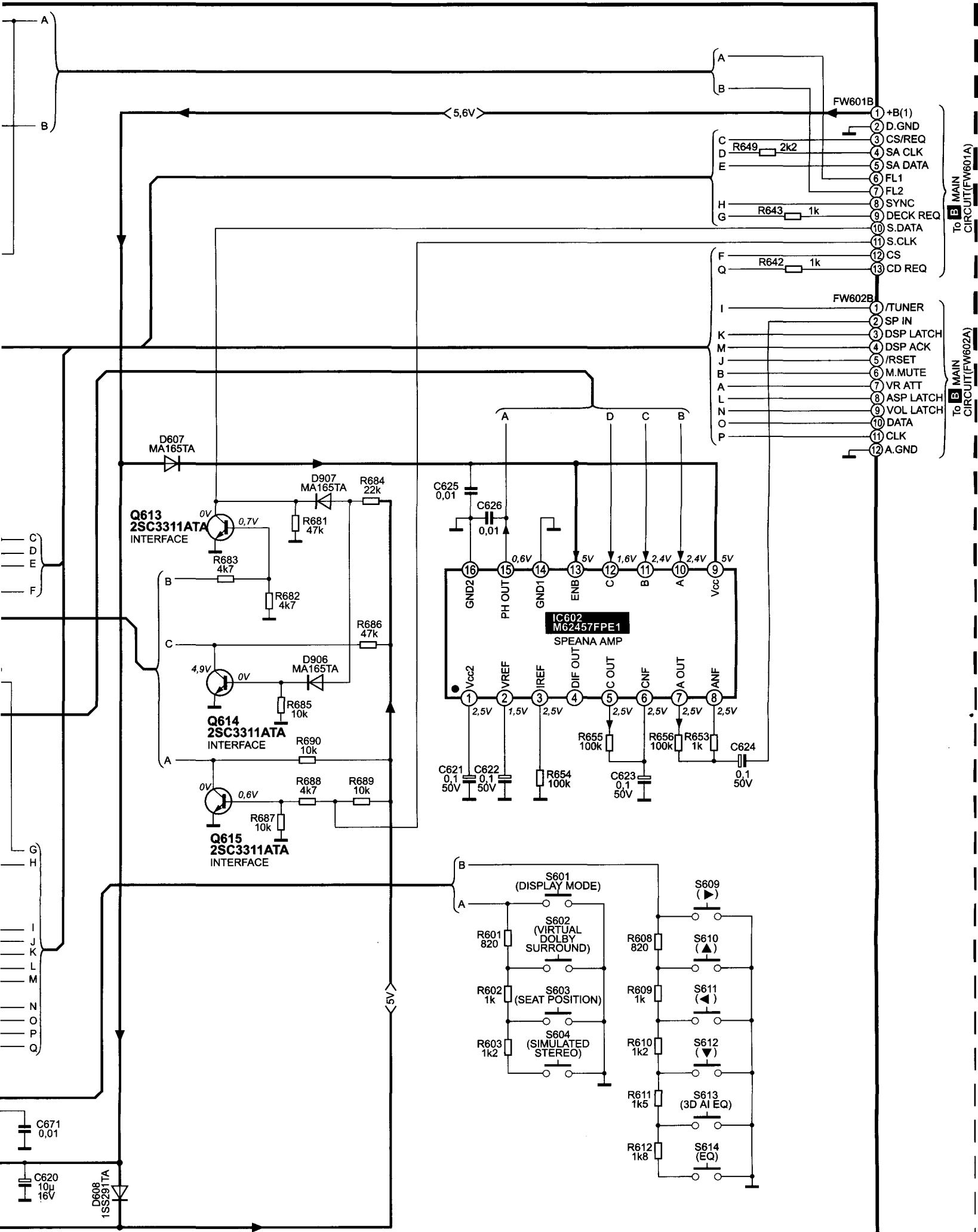
A FL CIRCUIT

—▶ : POSITIVE VOLTAGE LINE
 - -▶ : NEGATIVE VOLTAGE LINE



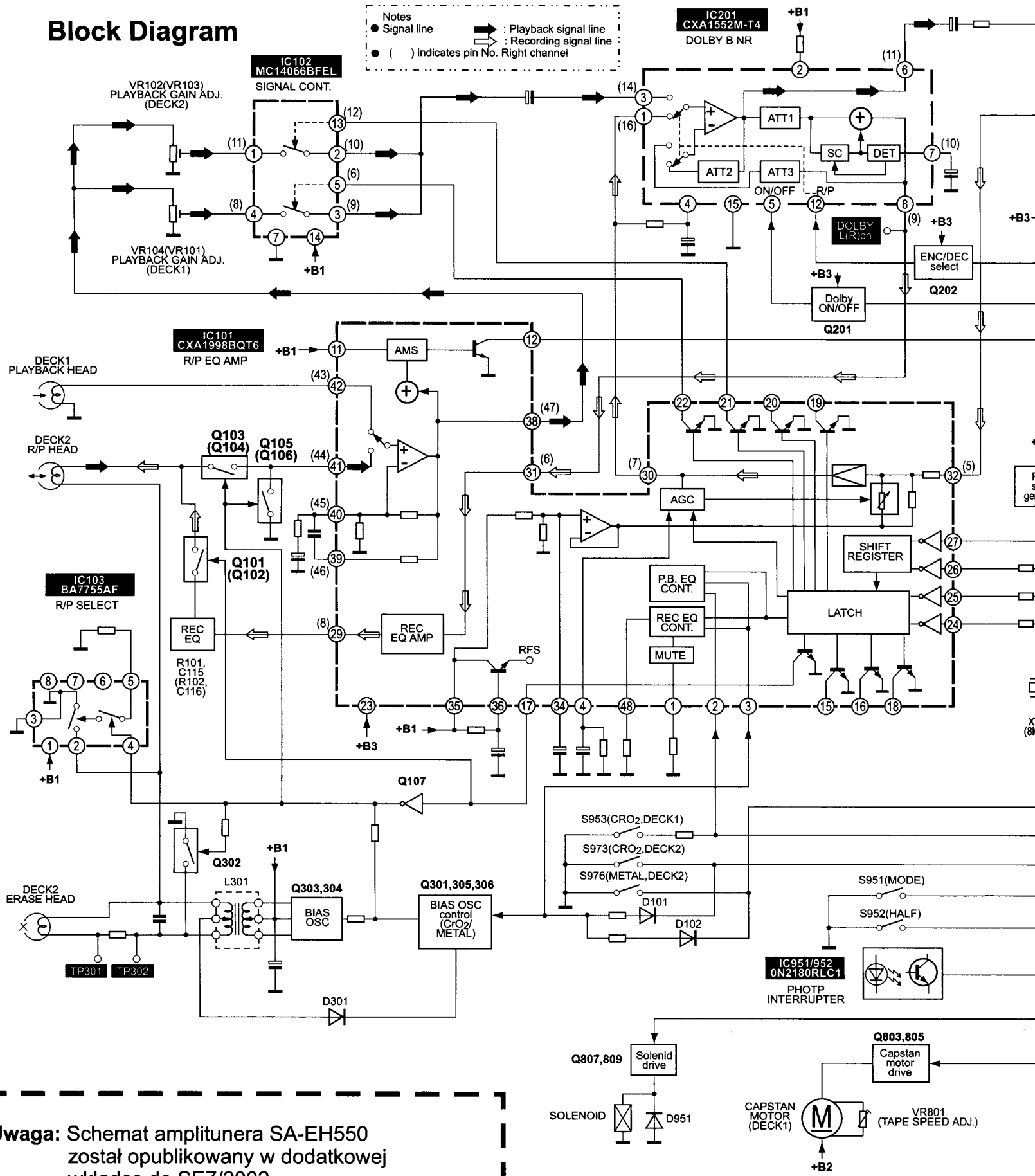
VOLTAGE LINE
VOLTAGE LINE

SH-EH550



Block Diagram

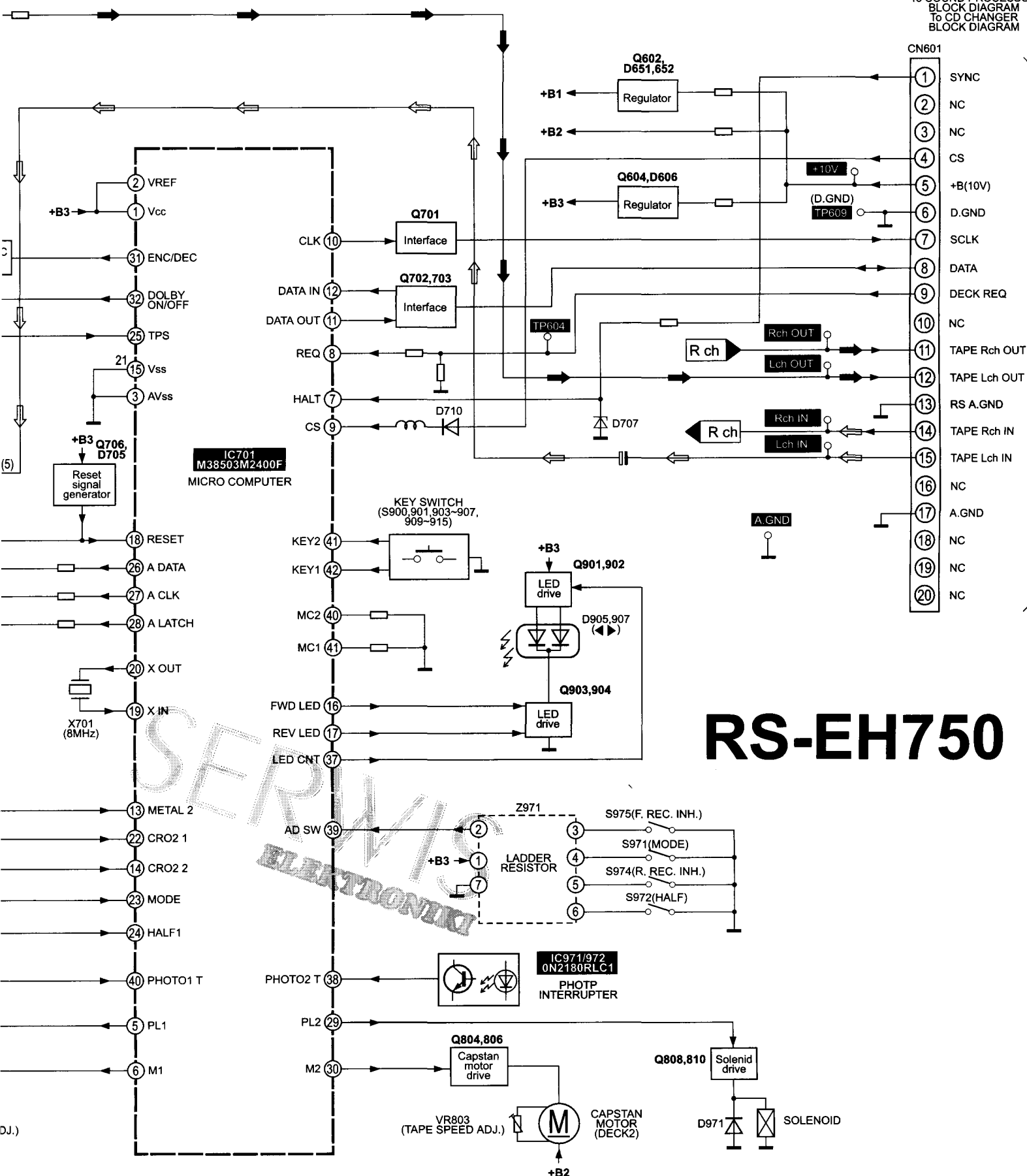
- Notes
- Signal line
 - ➔ Playback signal line
 - ➔ Recording signal line
 - () indicates pin No. Right channel



Uwaga: Schemat amplitunera SA-EH550 został opublikowany w dodatkowej wkładce do SE7/2002

Zestaw audio Technics SC-EH550: SA-EH500 - amplituner, SL-EH550 - CD, RS-EH750 - magnetofon, SB-

To SOUND PROCESSOR
BLOCK DIAGRAM
To CD CHANGER
BLOCK DIAGRAM

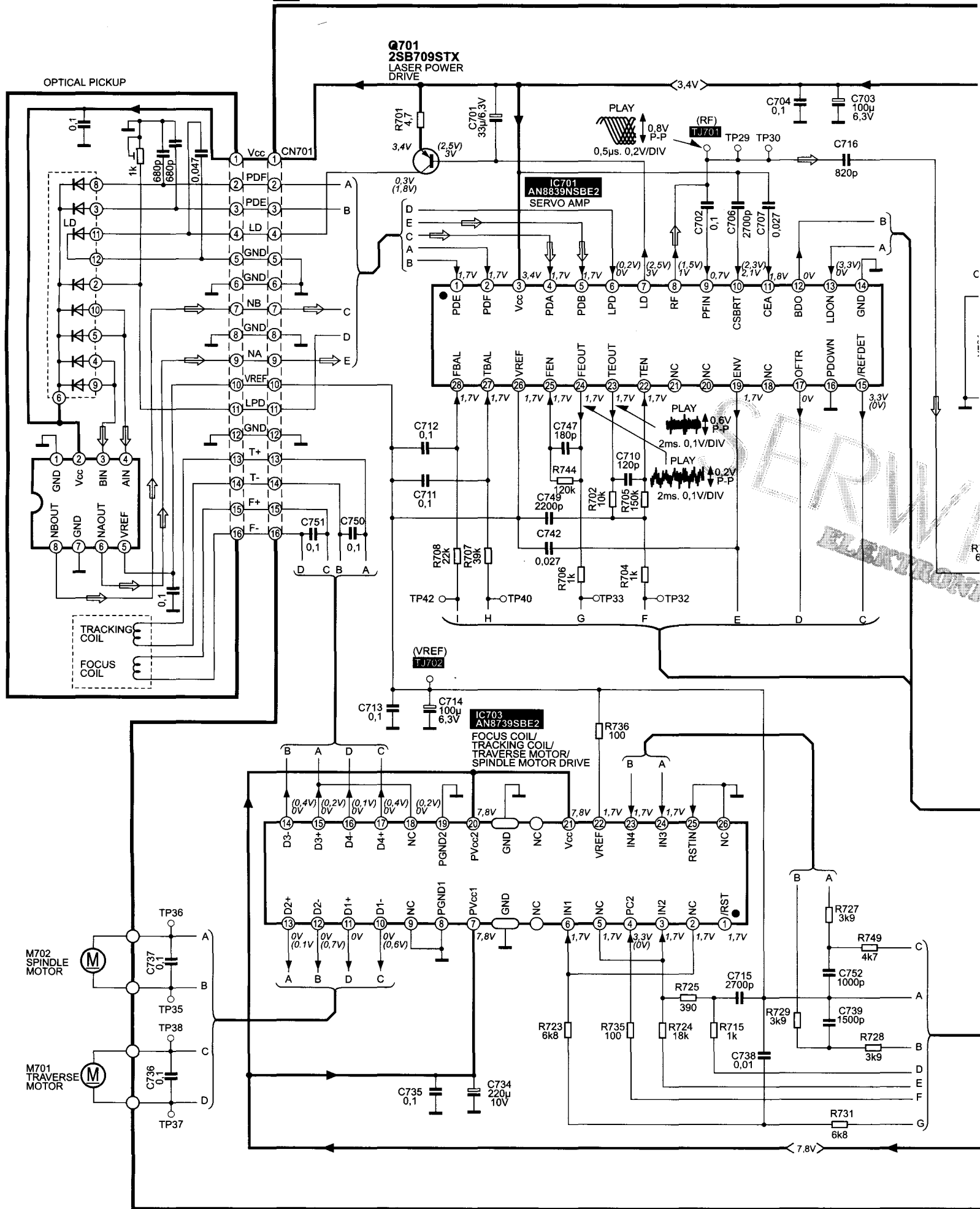


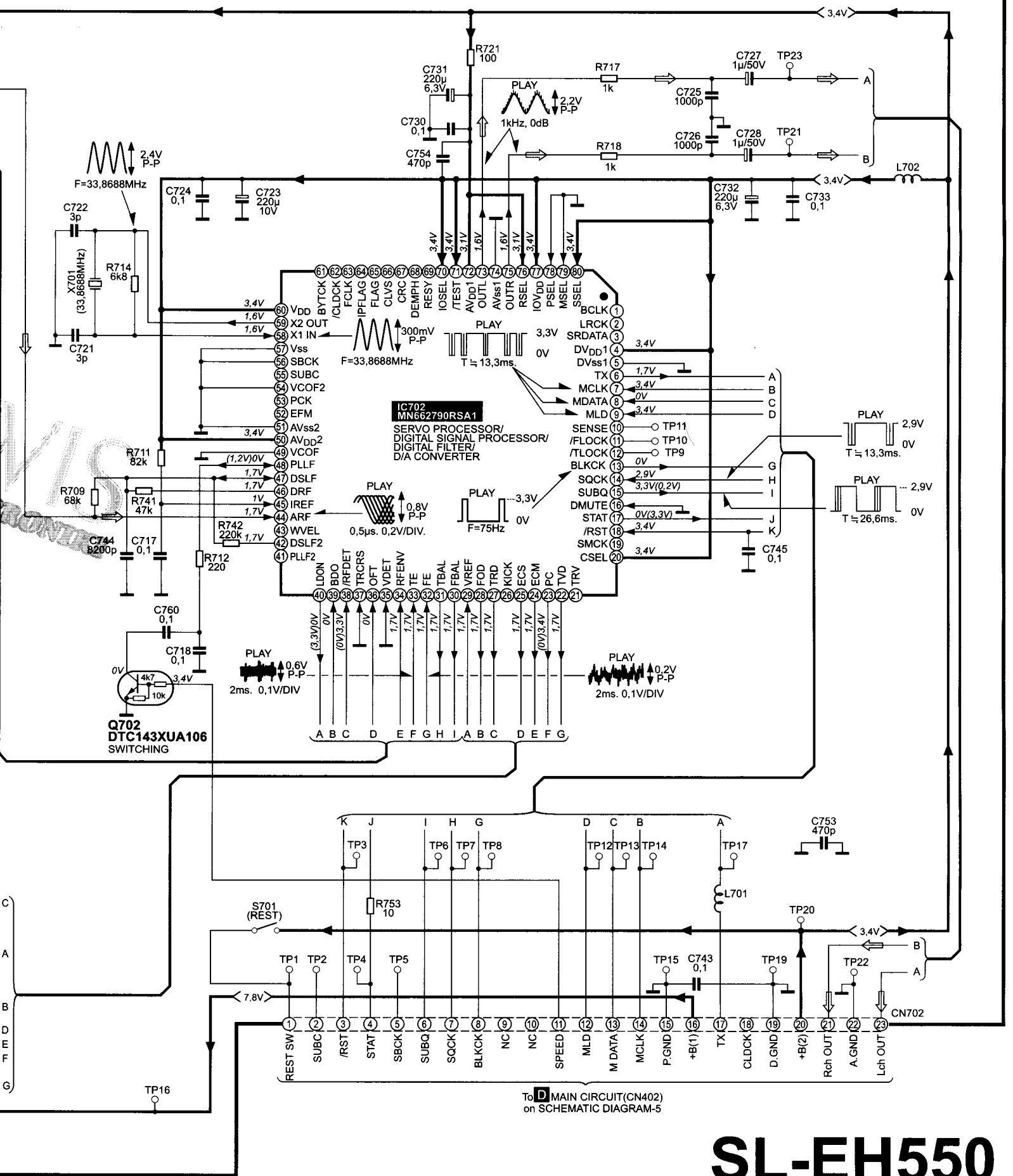
RS-EH750

• SH-EH550 - procesor dźwięku,
n, SB-EH550 - głośniki (strona 3/4)

A CD SERVO CIRCUIT

→ : POSITIVE VOLTAGE LINE ⇨ : CD SIGNAL LINE





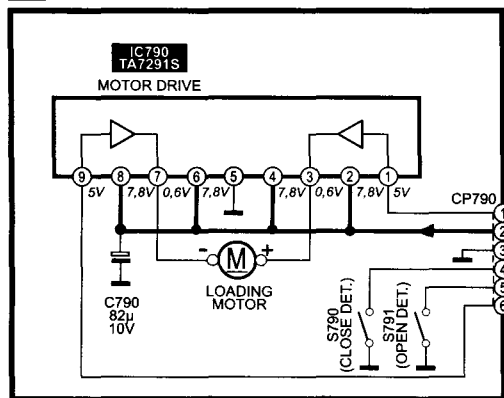
To MAIN CIRCUIT(CN402)
on SCHEMATIC DIAGRAM-5

SL-EH550

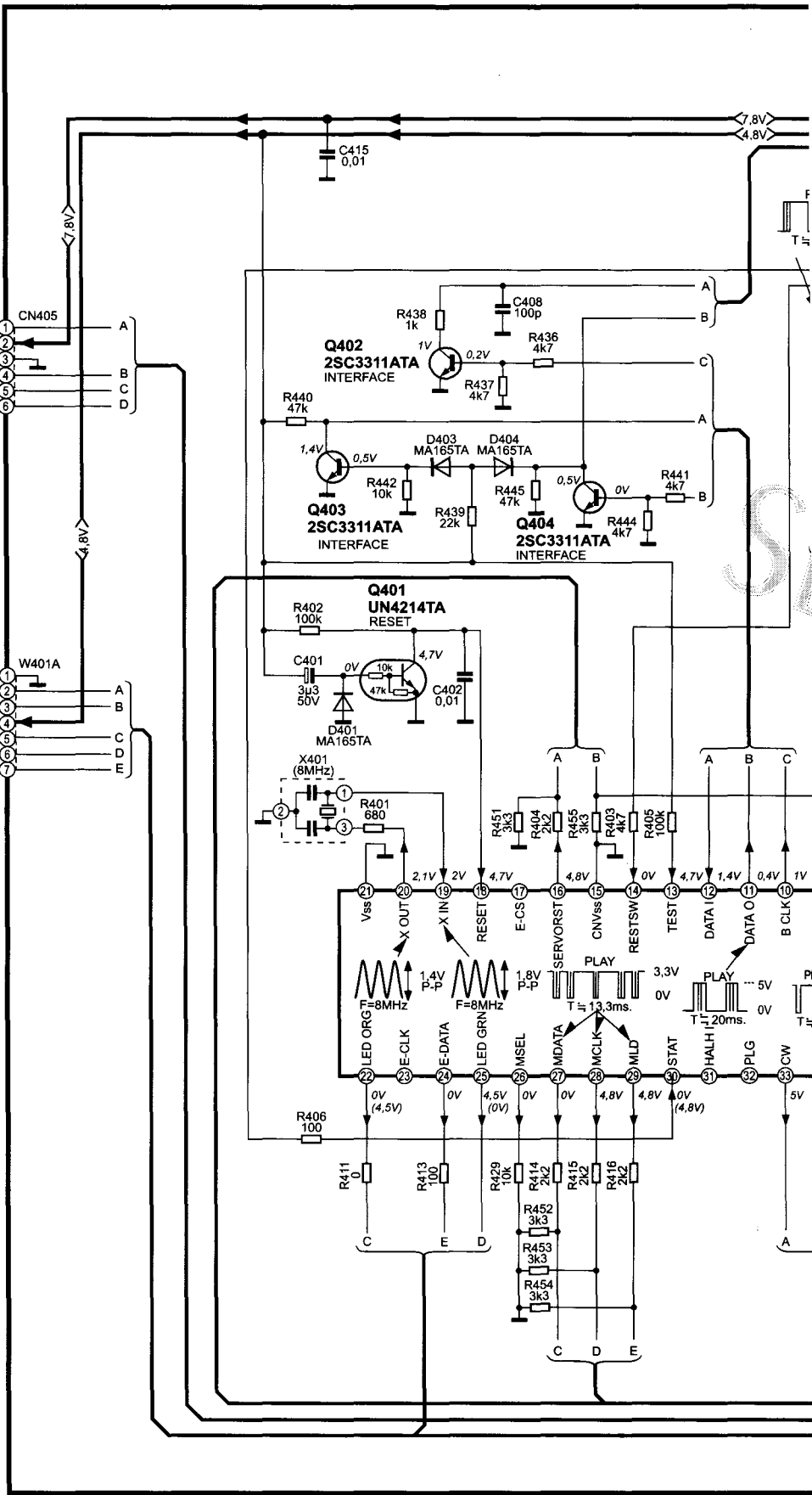
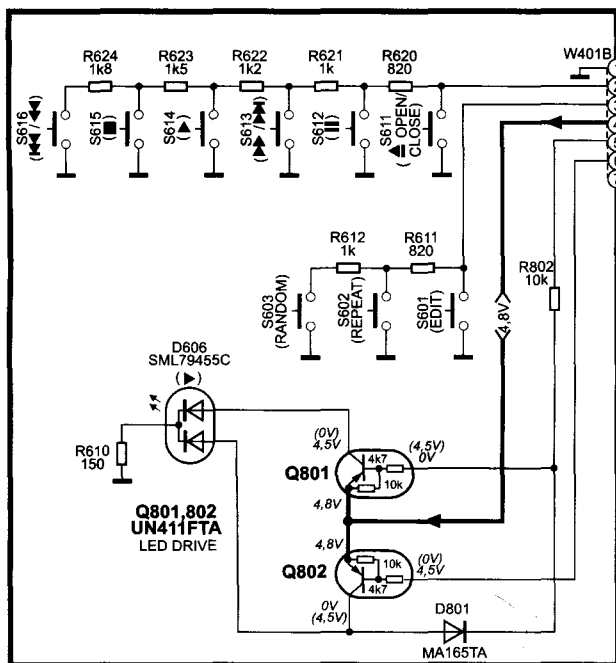
D MAIN CIRCUIT

→
POSITIVE VOLTAGE LINE

B LOADING MOTOR CIRCUIT

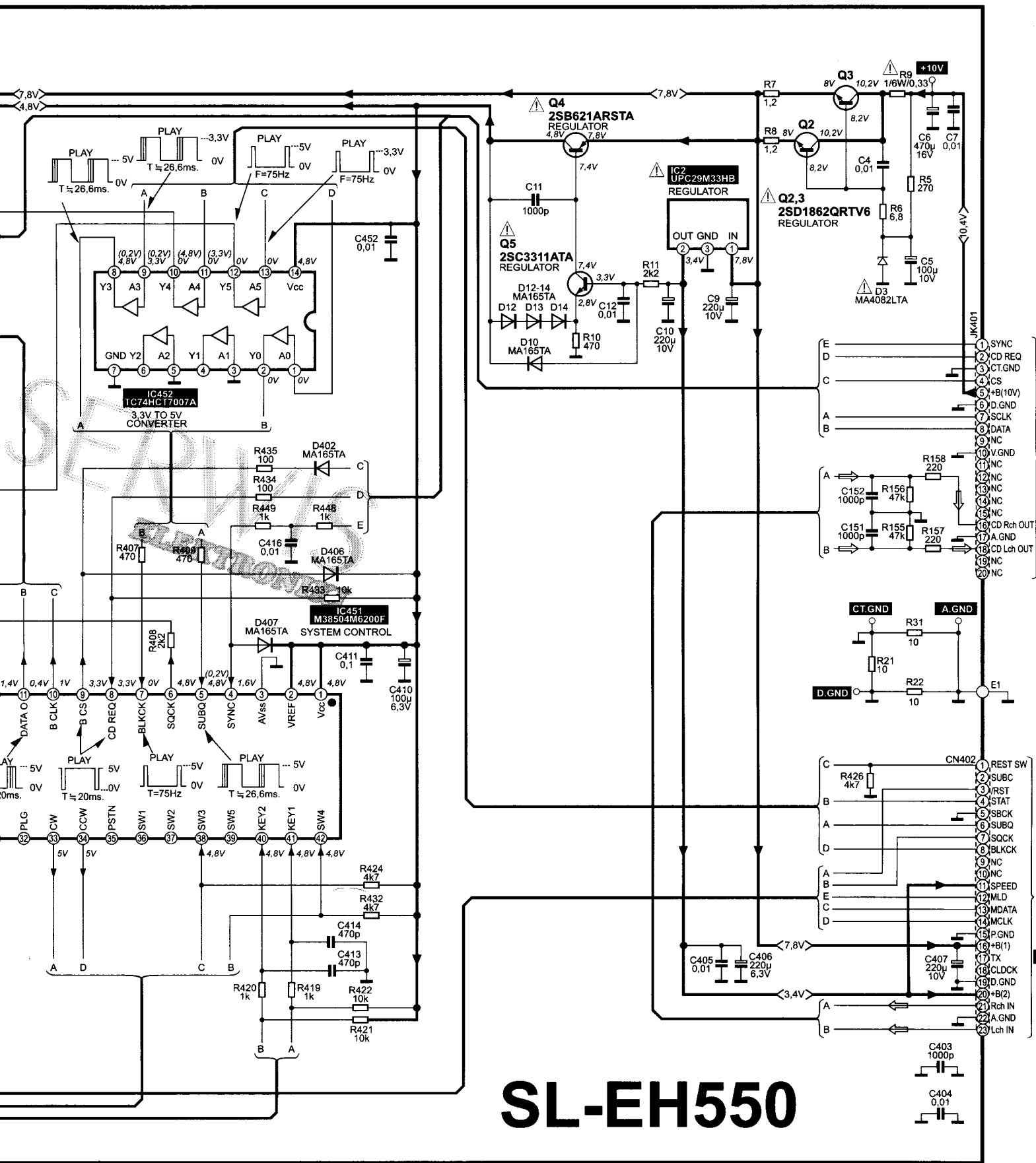


C OPERATION CIRCUIT



Uwaga: Schemat amplitunera SA-EH550 został opublikowany w dodatkowej wkladce do SE7/2002

Zestaw audio Technics SC-EH550: SH- SA-EH500 - amplituner, SL-EH550 - CD, RS-EH750 - magnetofon, SB-



SL-EH550

SH-EH550 - procesor dźwięku,
 SB-EH550 - głośniki (strona 4/4)

DW_SE4/2004