

# Service Manual

## Amplifier



**SU-A707**  
**SU-A808**  
**SE-A909S**  
**SE-A1010**

**Colour**

(K).....Black Type  
 (N).....Gold Type (Only SE-A1010)

**Areas**

(E).....Europe and Russia.  
 (EB).....Great Britain.  
 (EG).....Germany, France and Italy.

**Subject :** Addition and change of the parts for improvement in safety

Please use this supplement manual together with the service manuals for Model No.SU-A707, Order No.AD9908184C2, Model No.SU-A808, Order No.AD9907181C2, Model No.SE-A909S, Order No.AD9907177C2, Model No.SE-A1010, Order No.AD9907168C2.

**⚠ WARNING**

This service information is designed for experienced repair technicians only and is not designed for use by the general public. It does not contain warnings or cautions to advise non-technical individuals of potential dangers in attempting to service a product. Products powered by electricity should be serviced or repaired only by experienced professional technicians. Any attempt to service or repair the product or products dealt with in this service information by anyone else could result in serious injury or death.

## CONTENTS

	Page		Page
1 Purpose .....	2	4 Change of Cabinet Parts Location (Only the part to which Fan cover and Fan unit were added.) .....	5
2 About the applicable model .....	2	5 Change of Packaging .....	6
3 Change of Replacement Parts List .....	2		

# 1 Purpose

- Fan cover and Screw are added for improvement in safety.

# 2 About the applicable model

- The object is only the model fan cover equipped from the first. The model fan cover isn't equipped from the first is the outside of the object, because fan cover can't be equipped for the different form of <sup>1</sup> rearpanel.

<sup>1</sup> Rear panel: The parts of rear panel aren't supplied.

# 3 Change of Replacement Parts List

## Notes:

- The <IA>, <IB>, <IC>, <ID> marks in Remarks indicate language of instruction manual.

<IA>: English, Spanish, Swedish, Russian, Polish, Czech

<IB>: English

<IC>: German, Italian, French

<ID>: Netherlandish, Danish

- The parenthesized indications in the Remarks columns specify the areas. (Refer to the cover page for area.)

## 3.1. SU-A707

### ■Original

Ref. No.	Part No.	Part Name & Description	Pcs	Remarks
42	XTBS3+8JFZ1	SCREW	22	
A5	RQT5113-E	OPERATING INSTRUCTIONS	1	(E) <IA>
A6	RQT5116-B	OPERATING INSTRUCTIONS	1	(EB) <IB>
A7	RQT5114-D	OPERATING INSTRUCTIONS	1	(EG) <IC>
A8	RQT5115-H	OPERATING INSTRUCTIONS	1	(EG) <ID>
P3	RPG4559	PACKING CASE	1	(E)
P3	RPG4560	PACKING CASE	1	(EB, EG)



### ■Supplement

Ref. No.	Part No.	Part Name & Description	Pcs	Remarks
42	XTBS3+8JFZ1	SCREW	20	Reduce
45	RGQ0339-K	FAN COVER	1	Addition
46	XTB3+10JFZ	SCREW	2	Addition
A5	RQT5113-2E	OPERATING INSTRUCTIONS	1	(E) <IA> Change
A6	RQT5116-2B	OPERATING INSTRUCTIONS	1	(EB) <IB> Change
A7	RQT5114-2D	OPERATING INSTRUCTIONS	1	(EG) <IC> Change
A8	RQT5115-1H	OPERATING INSTRUCTIONS	1	(EG) <ID> Change
P3	RPG4559-1	PACKING CASE	1	(E) Change
P3	RPG4560-1	PACKING CASE	1	(EB, EG) Change
P7	RPQ1412	PAD	1	Addition

### 3.2. SU-A808

#### ■Original

Ref. No.	Part No.	Part Name & Description	Pcs	Remarks
42	XTB83+8JFZ1	SCREW	26	
A5	RQT5113-E	OPERATING INSTRUCTIONS	1	(E) <IA>
A6	RQT5116-B	OPERATING INSTRUCTIONS	1	(EB) <IB>
A7	RQT5114-D	OPERATING INSTRUCTIONS	1	(EG) <IC>
A8	RQT5115-H	OPERATING INSTRUCTIONS	1	(EG) <ID>
P3	RPG4556	PACKING CASE	1	(E)
P3	RPG4557	PACKING CASE	1	(EB, EG)



#### ■Supplement

Ref. No.	Part No.	Part Name & Description	Pcs	Remarks
42	XTB83+8JFZ1	SCREW	20	Reduce
50	RGQ0339-K	FAN COVER	1	Addition
51	XTB3+10JFZ	SCREW	2	Addition
A5	RQT5113-2E	OPERATING INSTRUCTIONS	1	(E) <IA> Change
A6	RQT5116-2B	OPERATING INSTRUCTIONS	1	(EB) <IB> Change
A7	RQT5114-2D	OPERATING INSTRUCTIONS	1	(EG) <IC> Change
A8	RQT5115-1H	OPERATING INSTRUCTIONS	1	(EG) <ID> Change
P3	RPG4556-1	PACKING CASE	1	(E) Change
P3	RPG4557-1	PACKING CASE	1	(EB, EG) Change
P7	RPQ1412	PAD	1	Addition

### 3.3. SE-A909

#### ■Original

Ref. No.	Part No.	Part Name & Description	Pcs	Remarks
26	XTB3+8JFZ	SCREW	9	
A7	RQT5167-E	OPERATING INSTRUCTIONS	1	(E) <IA>
A8	RQT5170-B	OPERATING INSTRUCTIONS	1	(EB) <IB>
A9	RQT5168-D	OPERATING INSTRUCTIONS	1	(EG) <IC>
A10	RQT5169-H	OPERATING INSTRUCTIONS	1	(EG) <ID>
P4	RPN1205	PAD	1	



#### ■Supplement

Ref. No.	Part No.	Part Name & Description	Pcs	Remarks
26	XTB3+8JFZ	SCREW	11	Addition
32	RGQ0339-K	FAN COVER	1	Addition
A7	RQT5167-2E	OPERATING INSTRUCTIONS	1	(E) <IA> Change
A8	RQT5170-2B	OPERATING INSTRUCTIONS	1	(EB) <IB> Change
A9	RQT5168-2D	OPERATING INSTRUCTIONS	1	(EG) <IC> Change
A10	RQT5169-1H	OPERATING INSTRUCTIONS	1	(EG) <ID> Change
P4	RPN1205-1	PAD	1	Change

### 3.4. SE-A1010

#### ■Original

Ref. No.	Part No.	Part Name & Description	Pcs	Remarks
26	XTB3+8JFZ	SCREW	9	
A5	RQT5000-E	OPERATING INSTRUCTIONS	1	(E) <IA>
A6	RQT5003-B	OPERATING INSTRUCTIONS	1	(EB) <IB>
A7	RQT5001-D	OPERATING INSTRUCTIONS	1	(EG) <IC>
A8	RQT5002-H	OPERATING INSTRUCTIONS	1	(EG) <ID>
P4	RPN1205	PAD	1	

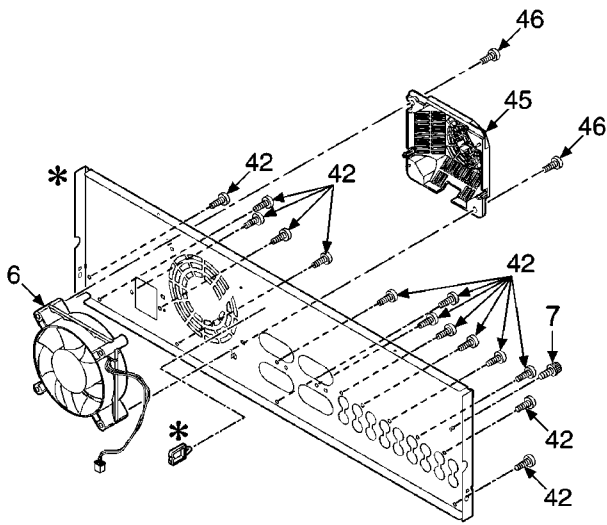


#### ■Supplement

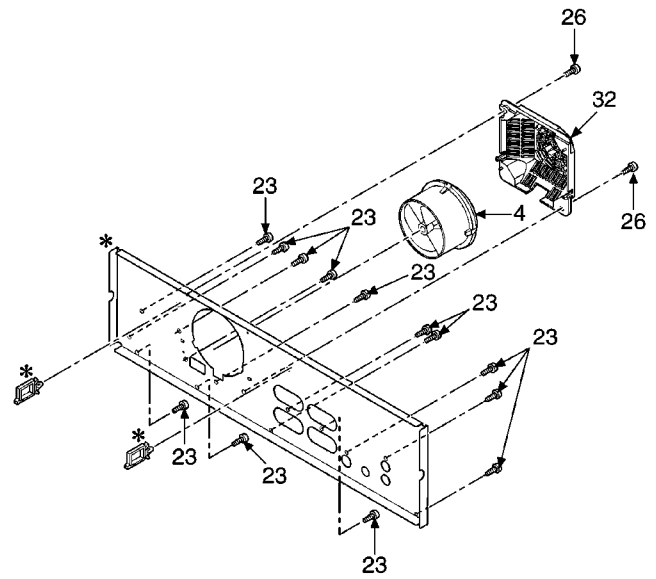
Ref. No.	Part No.	Part Name & Description	Pcs	Remarks
26	XTB3+8JFZ	SCREW	11	Addition
36	RGQ0339-K	FAN COVER	1	Addition
A5	RQT5000-2E	OPERATING INSTRUCTIONS	1	(E) <IA> Change
A6	RQT5003-2B	OPERATING INSTRUCTIONS	1	(EB) <IB> Change
A7	RQT5001-2D	OPERATING INSTRUCTIONS	1	(EG) <IC> Change
A8	RQT5002-1H	OPERATING INSTRUCTIONS	1	(EG) <ID> Change
P4	RPN1205-1	PAD	1	Change

# 4 Change of Cabinet Parts Location (Only the part to which Fan cover and Fan unit were added.)

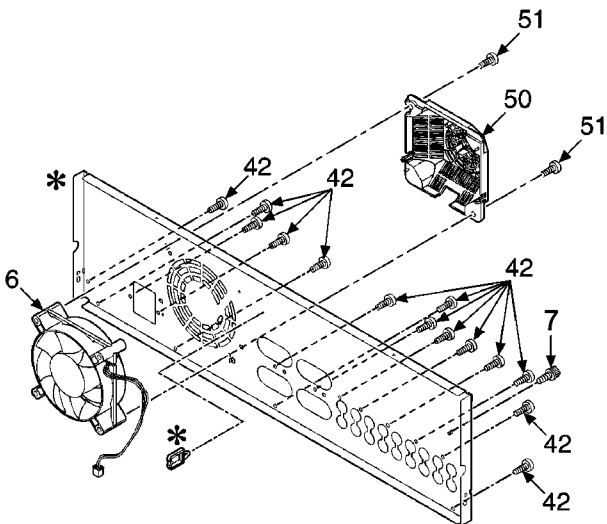
## 4.1. SU-A707



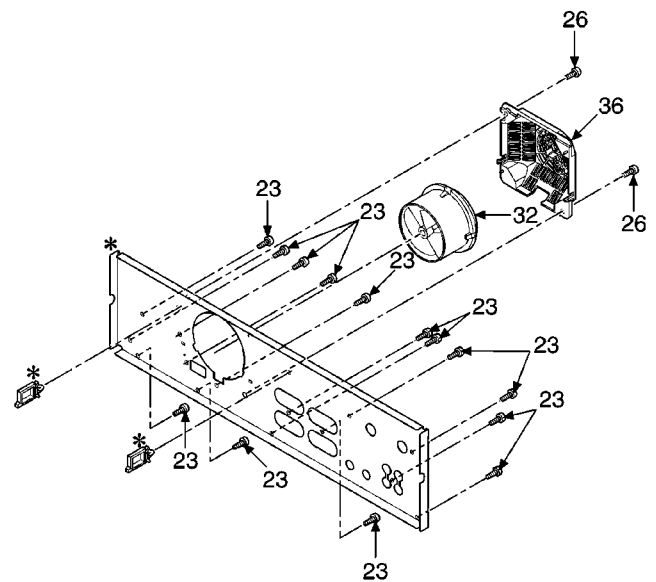
## 4.3. SE-A909S



## 4.2. SU-A808



## 4.4. SE-A1010



# 5 Change of Packaging

**Note:**

SE-A909S and SE-A1010 are not changed.

## 5.1. SU-A707 and SU-A808

