

# (For United Kingdom)

("EB" area code model only)

For your safety, please read the following text carefully.

This appliance is supplied with a moulded three pin mains plug for your safety and convenience.

A 5-ampere fuse is fitted in this plug.

Should the fuse need to be replaced please ensure that the replacement fuse has a rating of 5-ampere and that it is approved by ASTA or BSI to BS1362.

Check for the ASTA mark or the BSI mark on the body of the fuse.

If the plug contains a removable fuse cover you must ensure that it is refitted when the fuse is replaced.

If you lose the fuse cover the plug must not be used until a replacement cover is obtained.

A replacement fuse cover can be purchased from your local dealer.

## CAUTION!

IF THE FITTED MOULDED PLUG IS UNSUITABLE FOR THE SOCKET OUTLET IN YOUR HOME THEN THE FUSE SHOULD BE REMOVED AND THE PLUG CUT OFF AND DISPOSED OF SAFELY. THERE IS A DANGER OF SEVERE ELECTRICAL SHOCK IF THE CUT OFF PLUG IS INSERTED INTO ANY 13-AMPERE SOCKET.

If a new plug is to be fitted please observe the wiring code as shown below.

If in any doubt please consult a qualified electrician.

## IMPORTANT

The wires in this mains lead are coloured in accordance with the following code:

Blue: Neutral, Brown: Live.

As these colours may not correspond with the coloured markings identifying the terminals in your plug, proceed as follows:

The wire which is coloured Blue must be connected to the terminal which is marked with the letter N or coloured Black or Blue.

The wire which is coloured Brown must be connected to the terminal which is marked with the letter L or coloured Brown or Red.

**WARNING: DO NOT CONNECT EITHER WIRE TO THE EARTH TERMINAL WHICH IS MARKED WITH THE LETTER E, BY THE EARTH SYMBOL OR COLOURED GREEN OR GREEN/YELLOW.**

**THIS PLUG IS NOT WATERPROOF—KEEP DRY.**

## Before use

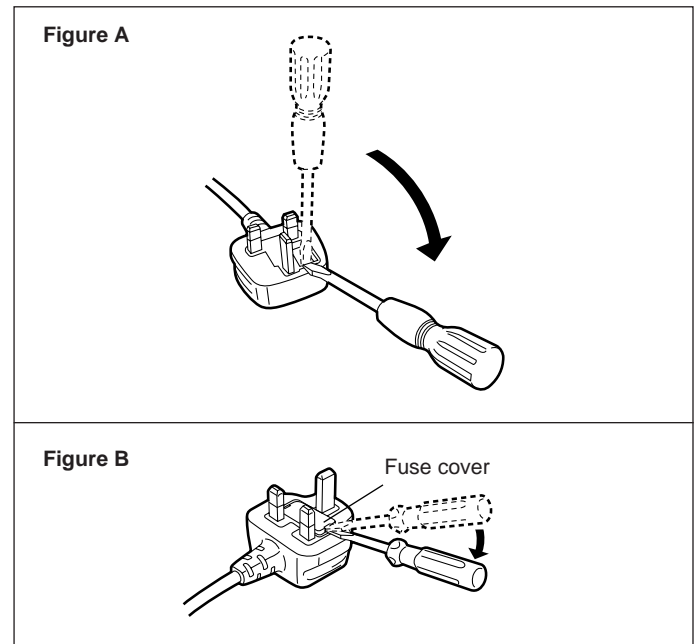
Remove the connector cover.

## How to replace the fuse

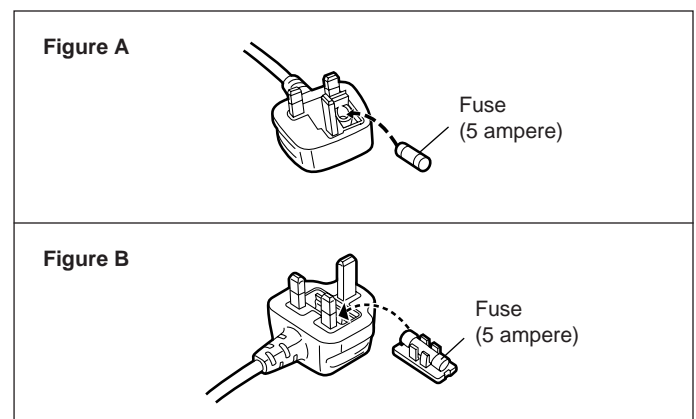
The location of the fuse differ according to the type of AC mains plug (figures A and B). Confirm the AC mains plug fitted and follow the instructions below.

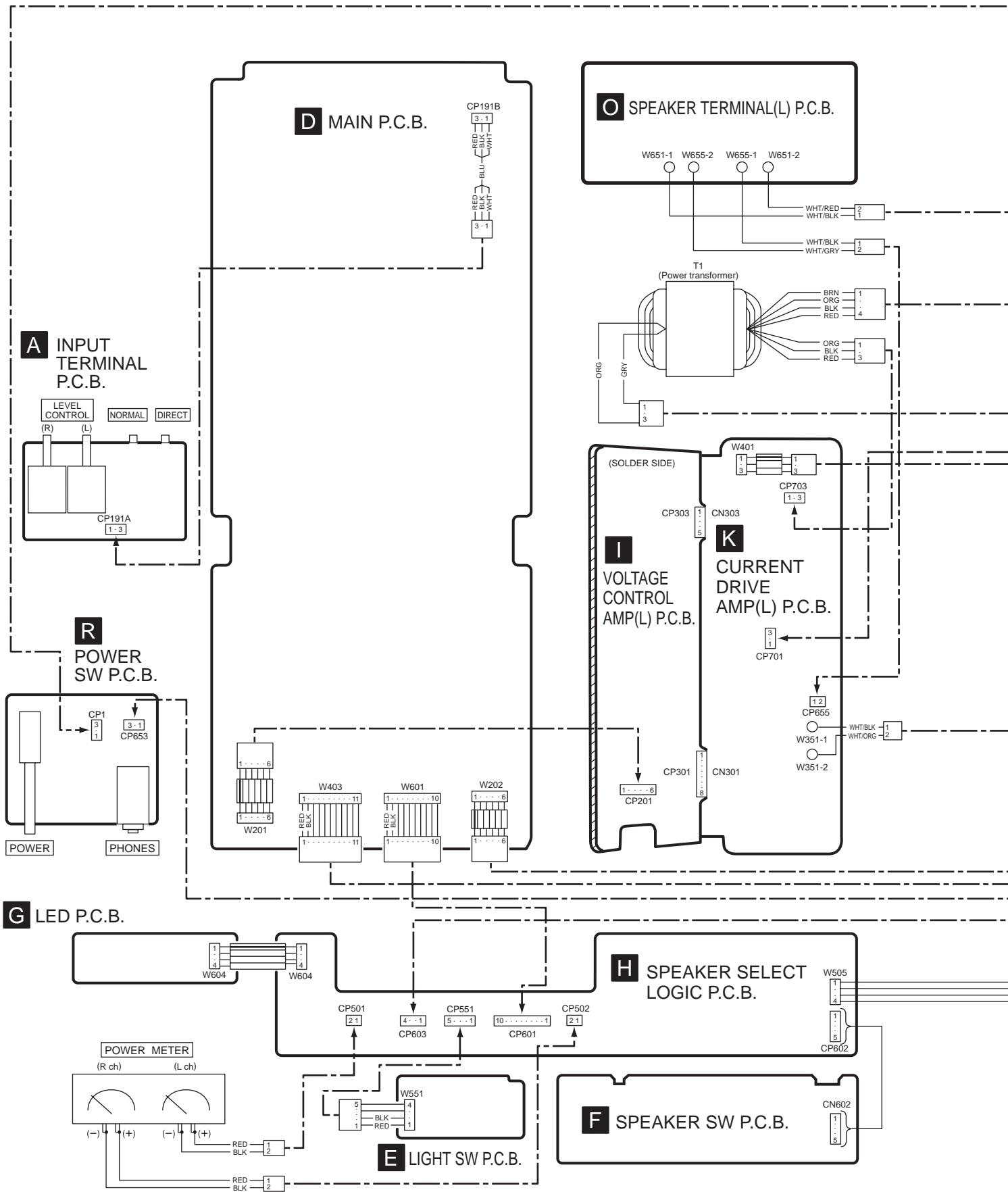
Illustrations may differ from actual AC mains plug.

1. Open the fuse cover with a screwdriver.



2. Replace the fuse and close or attach the fuse cover.

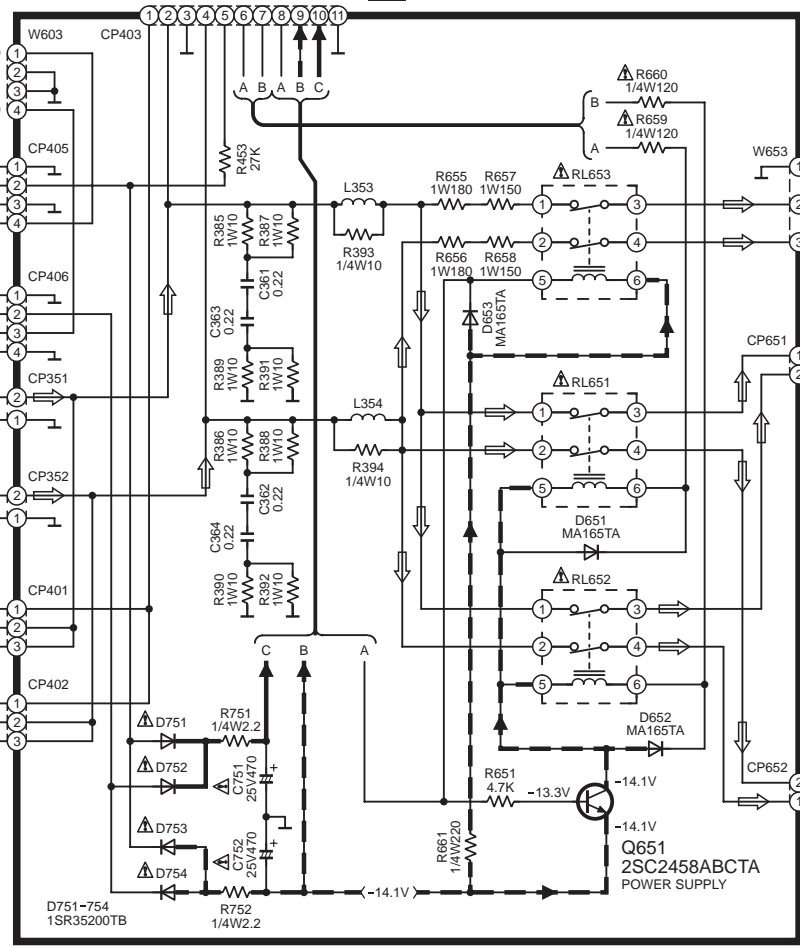




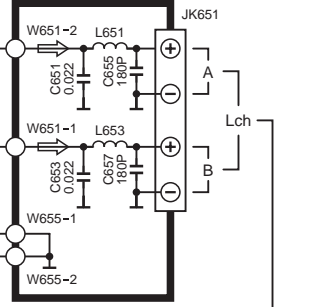
### N RELAY CIRCUIT (P.C.Board: on page 30)

- ▶ : POSITIVE VOLTAGE LINE
- ▶ : NEGATIVE VOLTAGE LINE
- ⇨ : SOURCE SIGNAL LINE

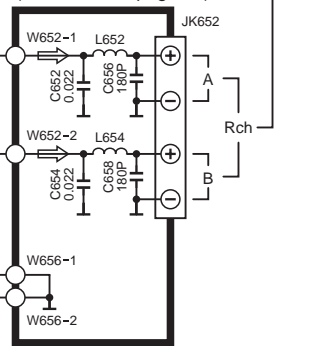
To **H** SPEAKER SELECT LOGIC CIRCUIT (CP603) on page 19



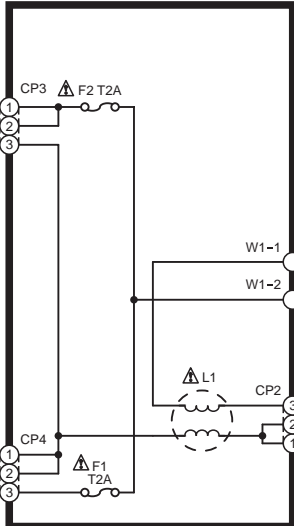
### O SPEAKER TERMINAL (L) CIRCUIT (P.C.Board: on page 23)



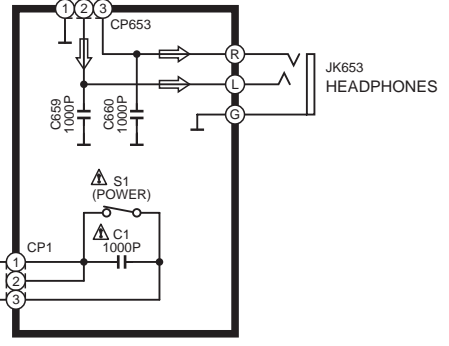
### P SPEAKER TERMINAL (R) CIRCUIT (P.C.Board: on page 28)



### Q FUSE CIRCUIT (P.C.Board: on page 30)



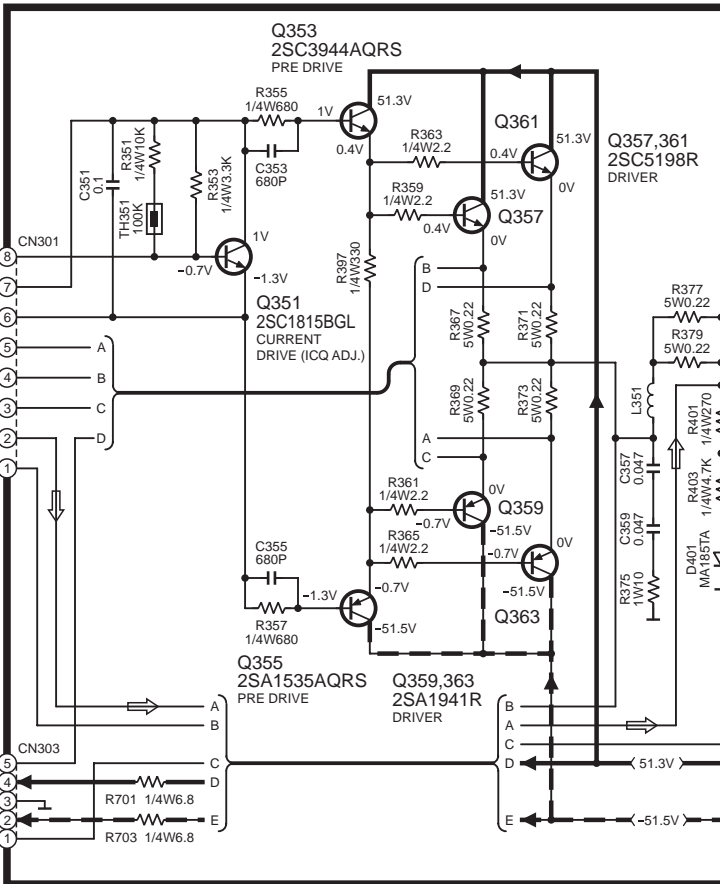
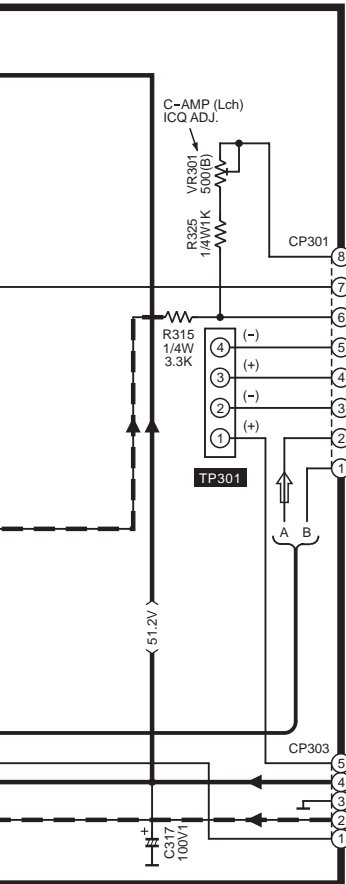
### R POWER SW CIRCUIT (P.C.Board: on page 30)



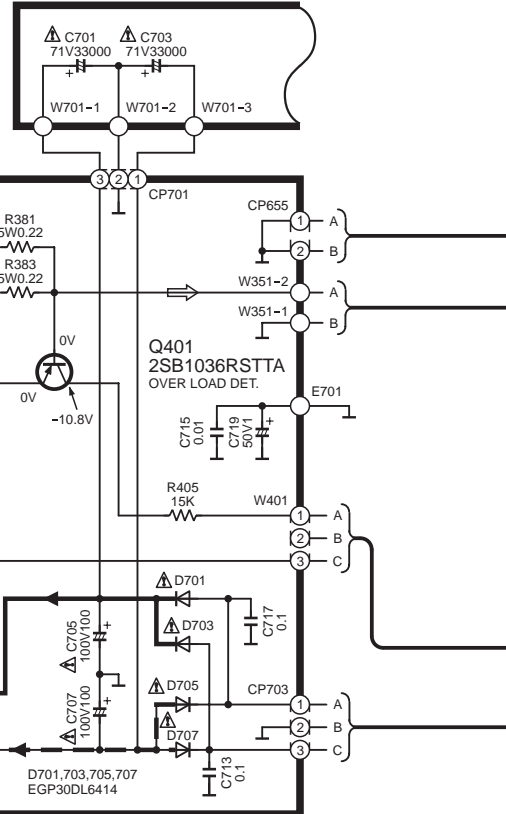
( 230V/50Hz ... (E,EG)  
230-240V/50Hz ... (EB) )

SPEAKERS  
Lch  
Lr  
Rch  
Rl

### K CURRENT DRIVE AMP (L) CIRCUIT (P.C.Board:on page 29)

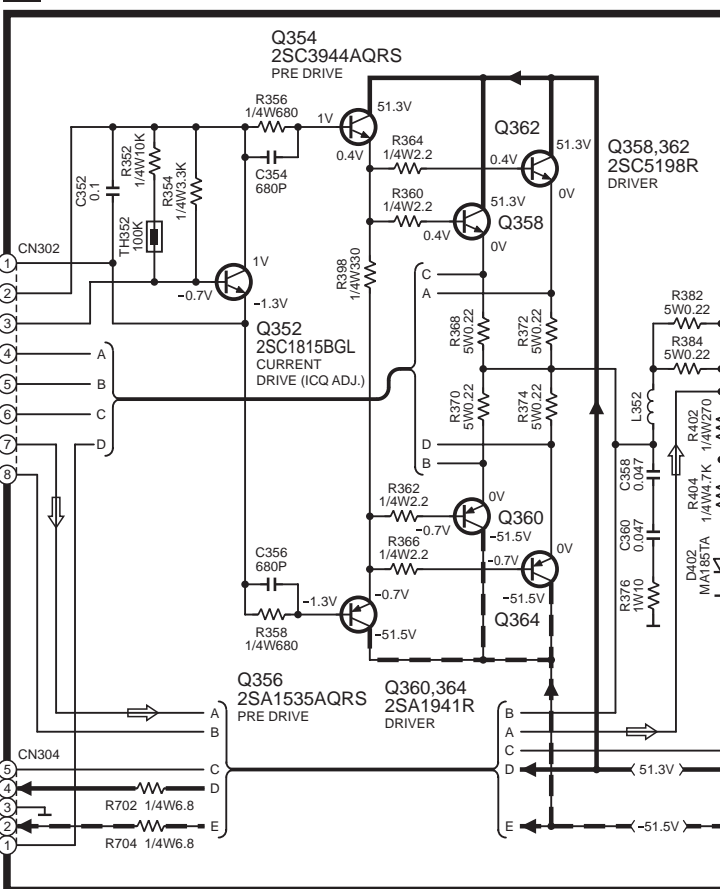
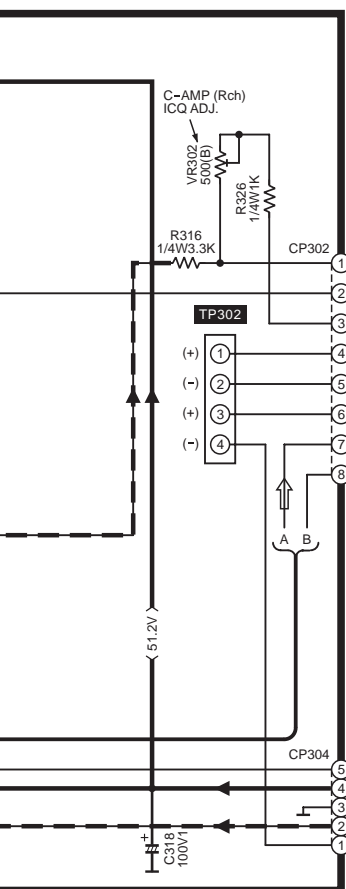


### M CAPACITOR CIRCUIT (P.C.Board:on page 23)

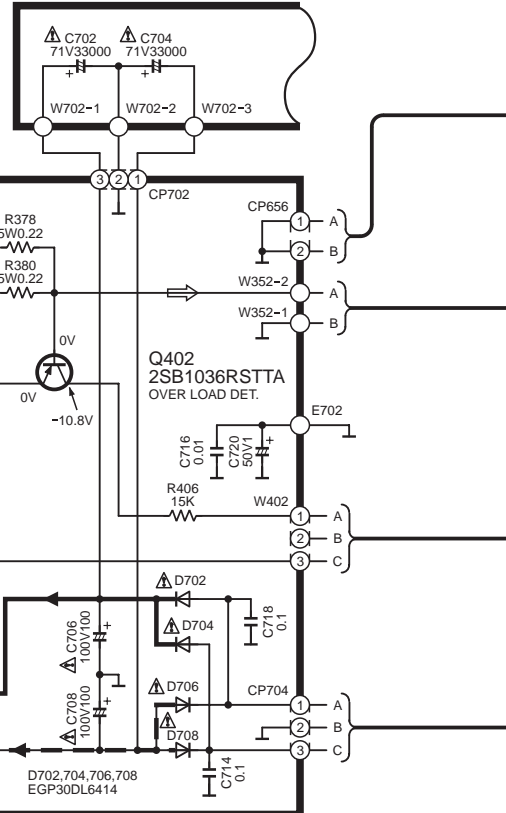


→ POSITIVE VOLTAGE LINE  
- - - NEGATIVE VOLTAGE LINE  
⇨ SOURCE SIGNAL LINE

### L CURRENT DRIVE AMP (R) CIRCUIT (P.C.Board:on page 29)



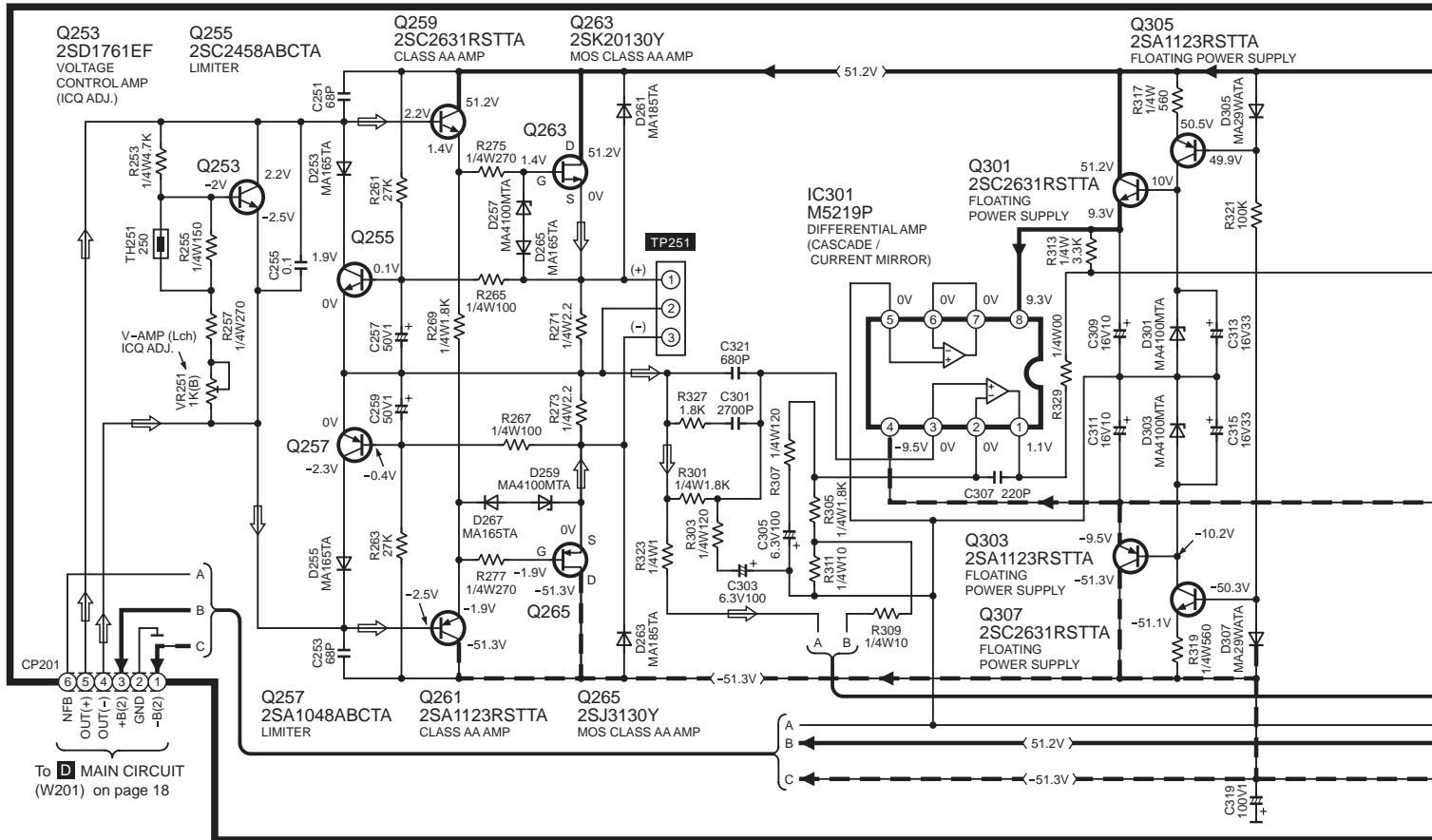
### M CAPACITOR CIRCUIT (P.C.Board:on page 23)



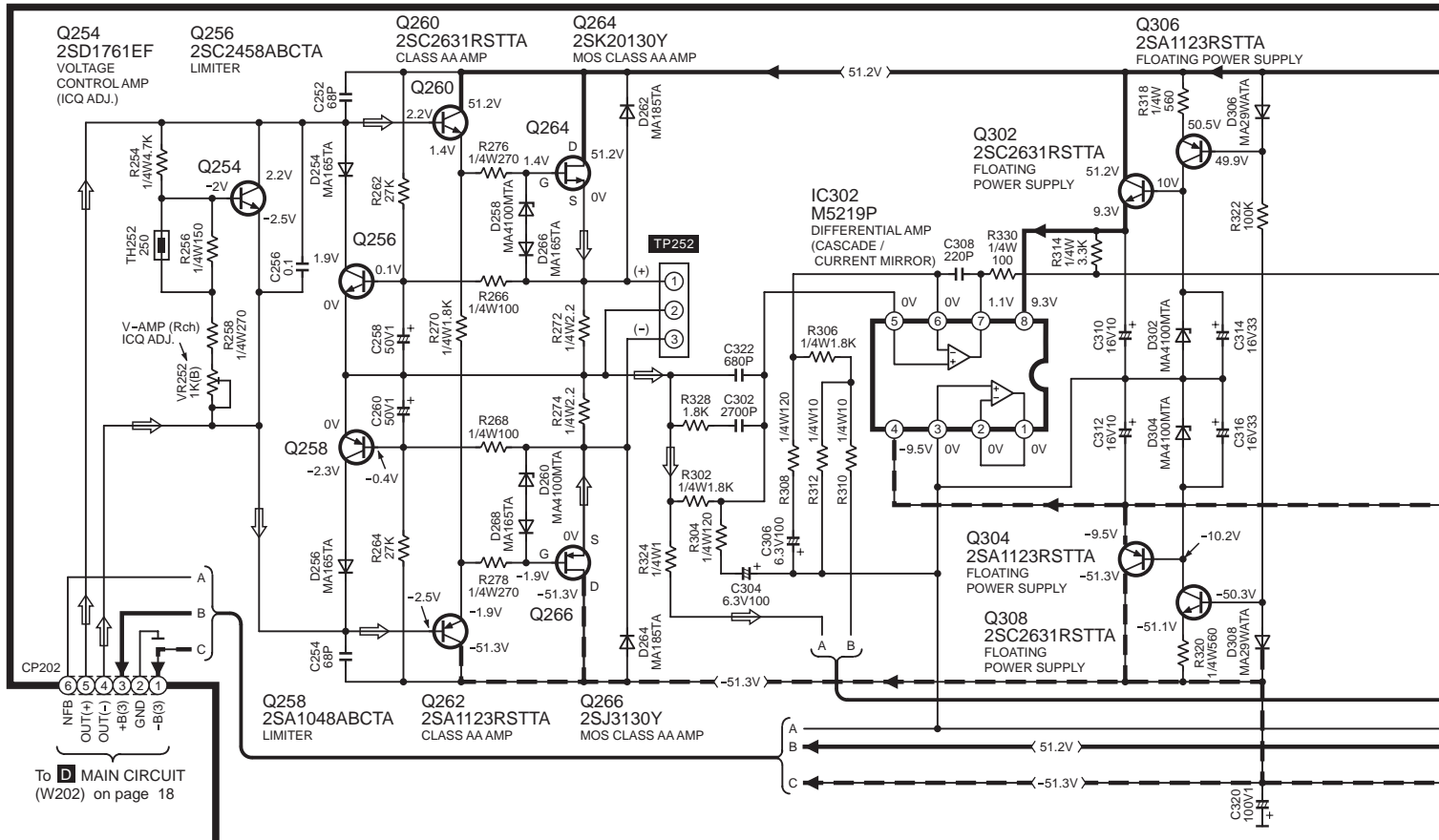
→ POSITIVE VOLTAGE LINE  
- - - NEGATIVE VOLTAGE LINE  
⇨ SOURCE SIGNAL LINE

——— POSITIVE VOLTAGE LINE  
 - - - - - NEGATIVE VOLTAGE LINE  
 ⇨ SOURCE SIGNAL LINE

**I VOLTAGE CONTROL AMP (L) CIRCUIT** (P.C.Board: on page 25)



**J VOLTAGE CONTROL AMP (R) CIRCUIT** (P.C.Board: on page 28)

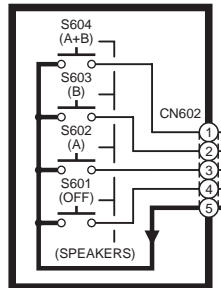


# H SPEAKER SELECT LOGIC CIRCUIT (P.C.Board: on page 24)

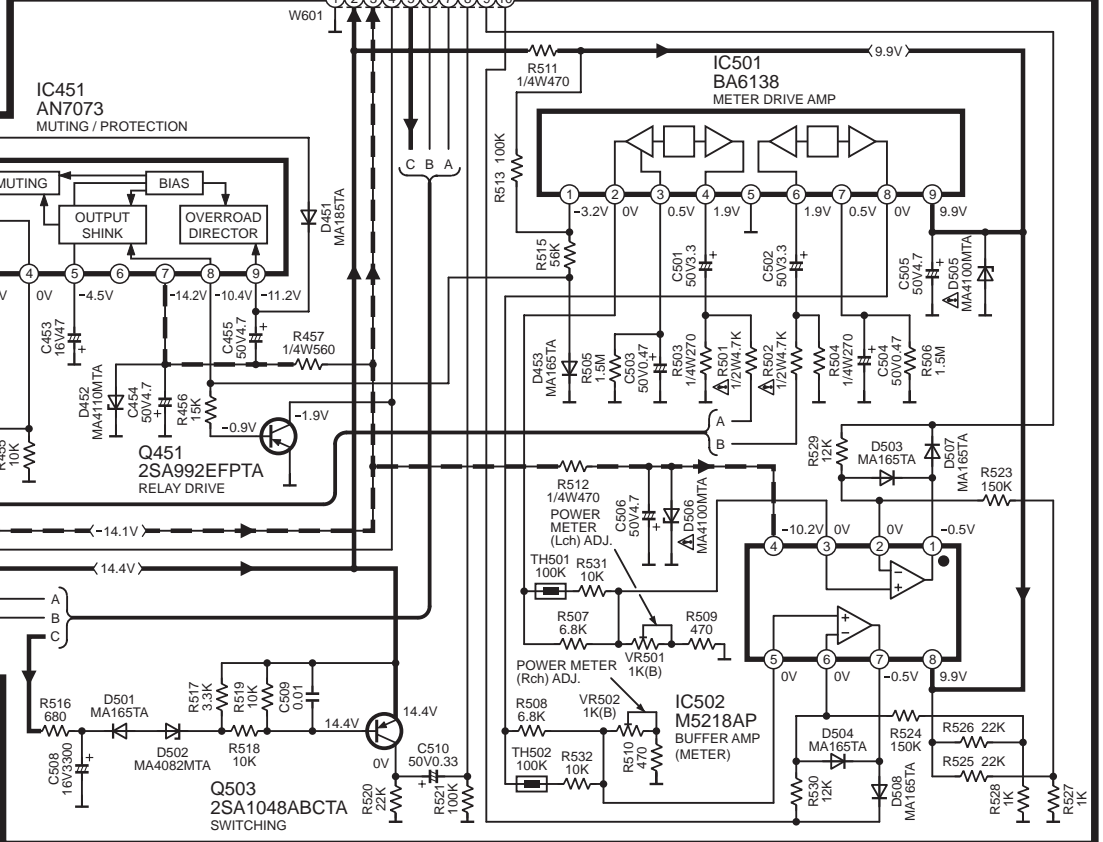
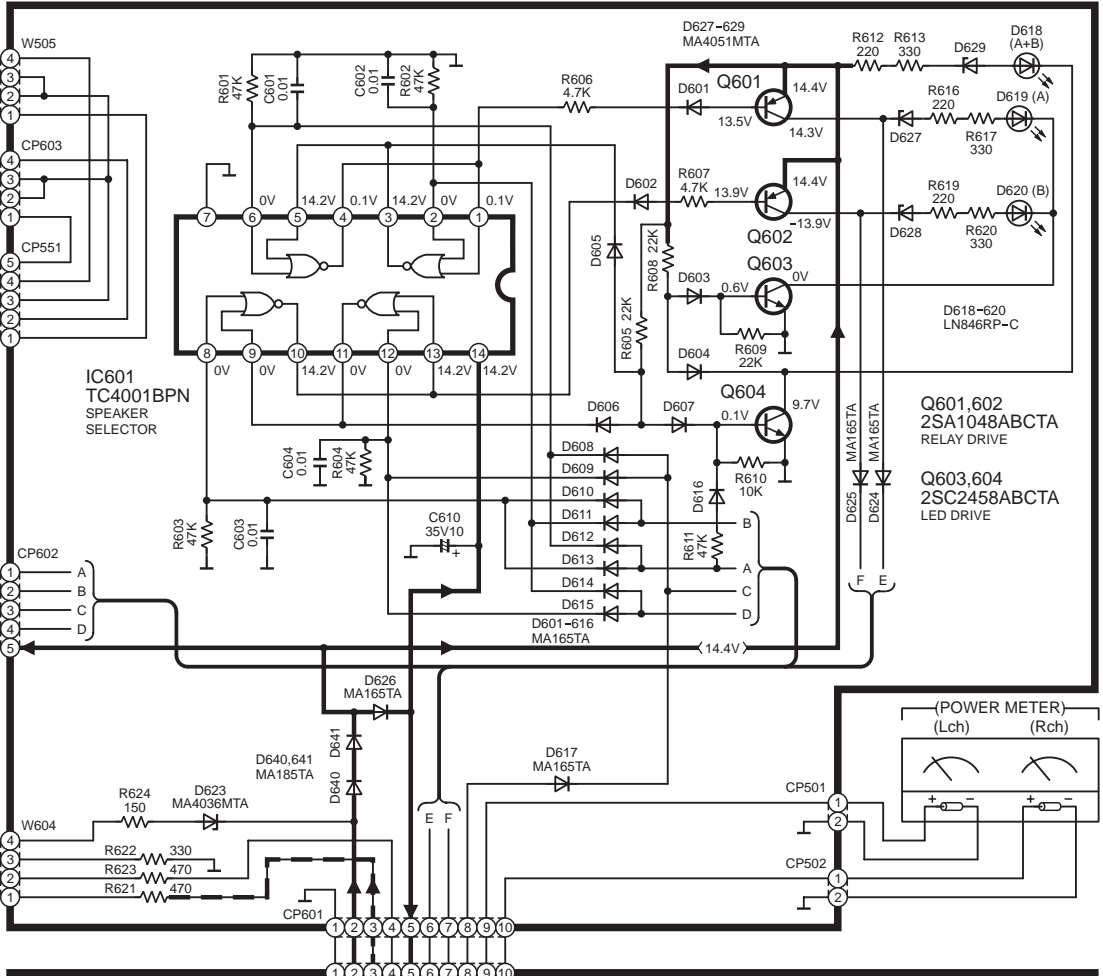
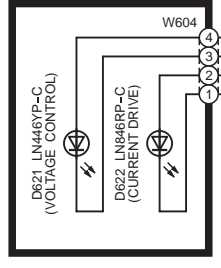
→ : POSITIVE VOLTAGE LINE  
- - - : NEGATIVE VOLTAGE LINE

To N RELAY CIRCUIT (W603) on page 22

## F SPEAKER SW CIRCUIT (P.C.Board: on page 26)

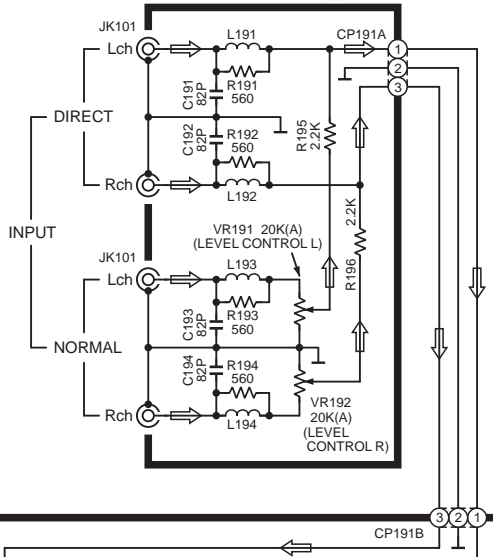


## G LED CIRCUIT (P.C.Board: on page 25)

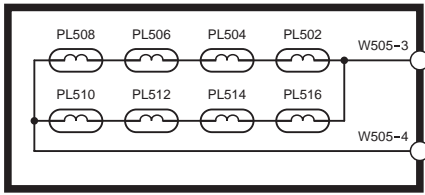


To N RELAY CIRCUIT (CP403) on page 22

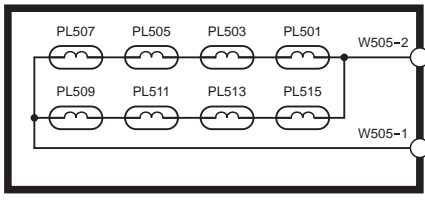
**A INPUT TERMINAL CIRCUIT**  
(P.C.Board: on page 23)



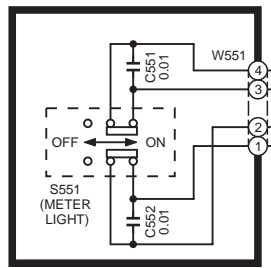
**C LAMP (B) CIRCUIT**  
(P.C.Board: on page 24)



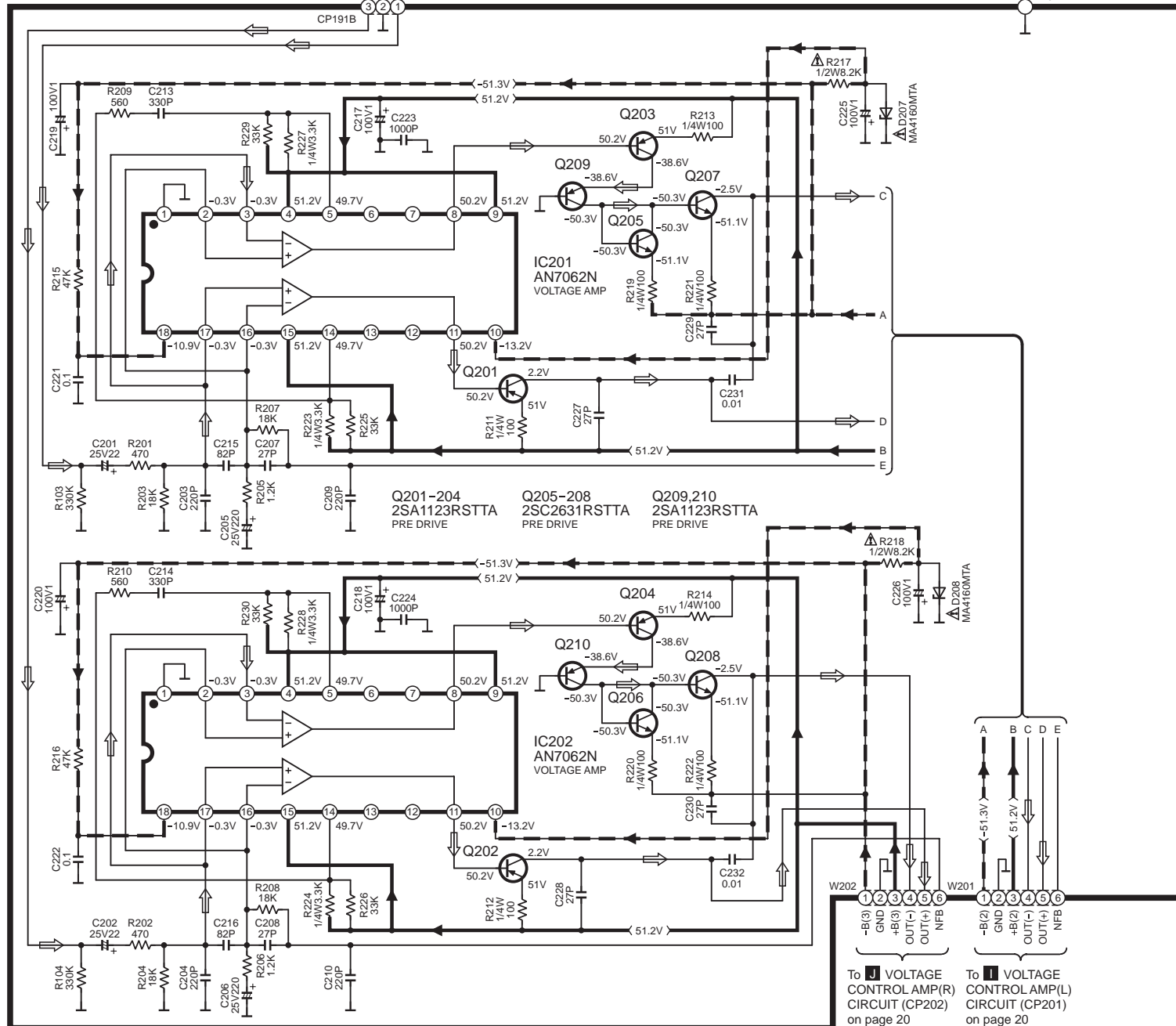
**B LAMP (A) CIRCUIT**  
(P.C.Board: on page 24)



**E LIGHT SW CIRCUIT**  
(P.C.Board: on page 25)



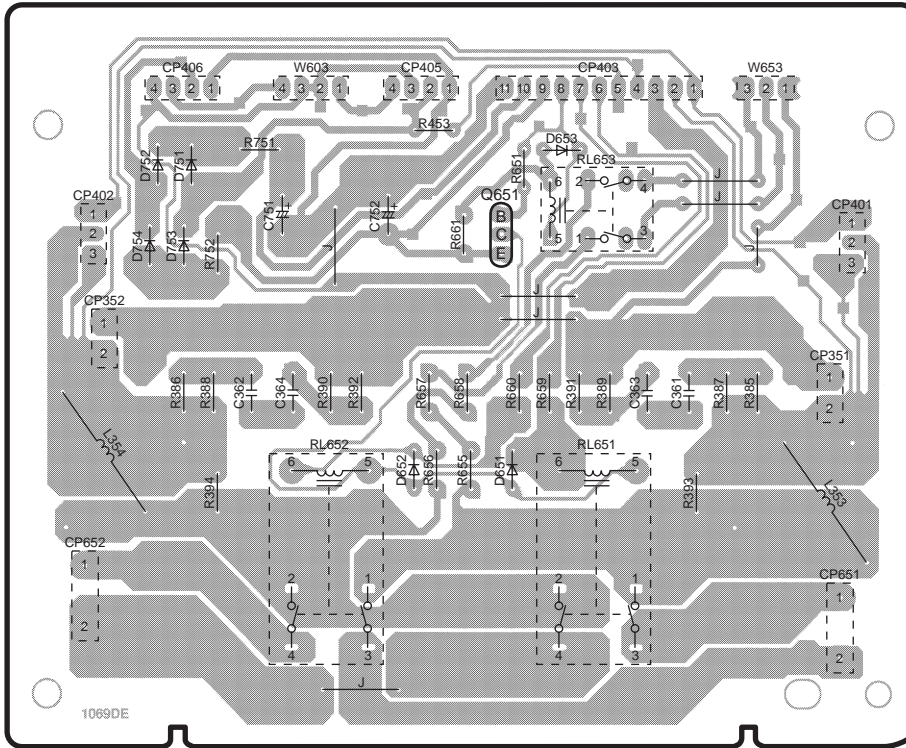
**D MAIN CIRCUIT** (P.C.Board: on pages 26,27)



—: POSITIVE VOLTAGE LINE  
- - -: NEGATIVE VOLTAGE LINE  
⇨: SOURCE SIGNAL LINE

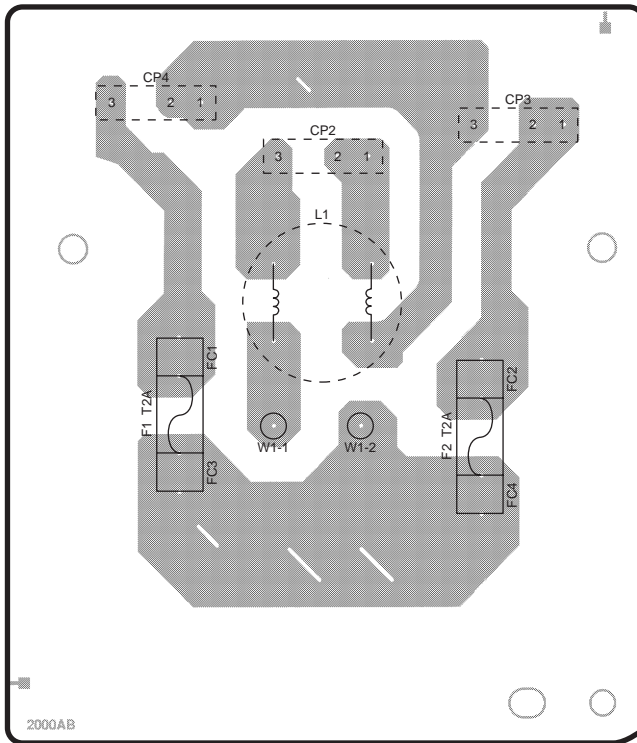
To **IC202** VOLTAGE CONTROL AMP(R) CIRCUIT (CP202) on page 20  
To **IC201** VOLTAGE CONTROL AMP(L) CIRCUIT (CP201) on page 20

# N RELAY P.C.B.



(REP1615D-M)

# Q FUSE P.C.B.



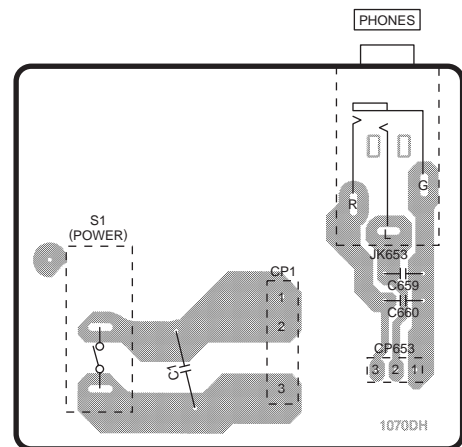
2000AB

(REP2720A-P)

## ELECTRICAL PARTS LOCATION

Ref. No.	Lo. No.	Ref. No.	Lo. No.
<b>N RELAY P.C.B.</b>			
Q651	2C	R387	3D
D651	3C	R388	3B
D652	3C	R389	3D
D653	2C	R390	3B
D751	2B	R391	3C
D752	2A	R392	3B
D753	2B	R393	3D
D754	2A	R394	3B
L353	3D	R453	2C
L354	3A	R651	2C
RL651	3C	R655	3C
RL652	3B	R656	3C
RL653	2C	R657	3C
CP351	3E	R658	3C
CP352	3A	R659	3C
CP401	2E	R660	3C
CP402	2A	R661	2C
CP403	1C	R751	2B
CP405	1C	R752	2B
CP406	1B	C361	3D
CP651	4E	C362	3B
CP652	4A	C363	3D
W603	1B	C364	3B
W653	1D	C751	2B
R385	3D	C752	2C
R386	3B		
<b>Q FUSE P.C.B.</b>			
L1	6B	W1-1	7B
F1	7B	W1-2	7B
F2	7C	FC1	7B
CP2	6B	FC2	7C
CP3	5C	FC3	7B
CP4	5B	FC4	7C
<b>R POWER SW P.C.B.</b>			
S1	7E	C1	7E
CP1	7E	C659	7F
CP653	7F	C660	7F
JK653	6F		

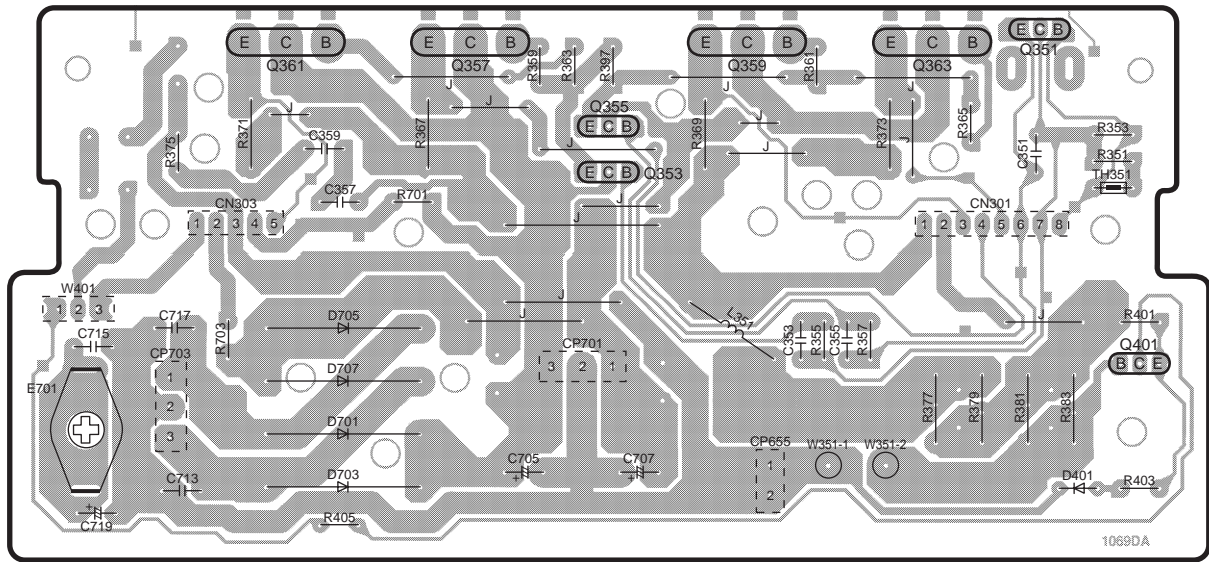
# R POWER SW P.C.B.



(REP1616D-S)

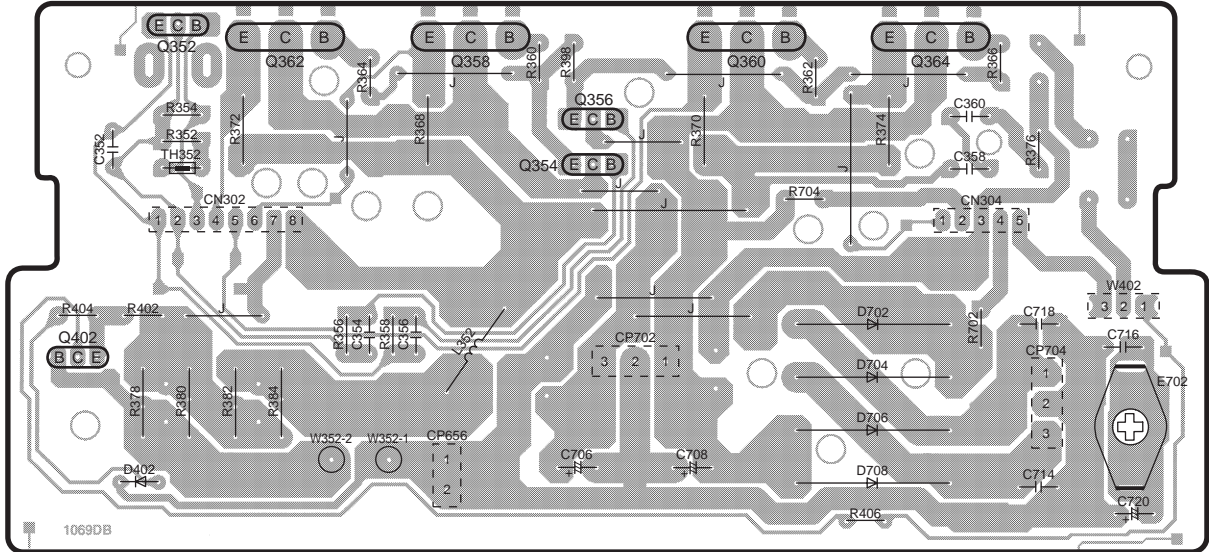


**K** CURRENT DRIVE AMP(L) P.C.B.



1069DA  
(REP1615D-M)

**L** CURRENT DRIVE AMP(R) P.C.B.



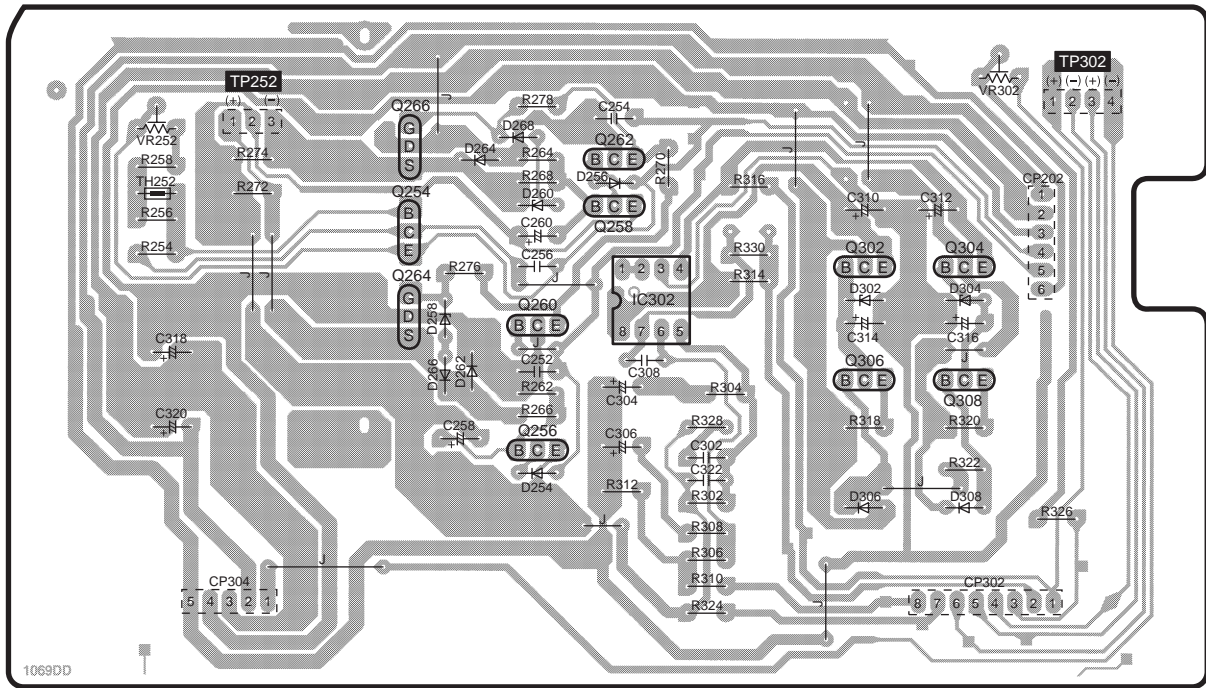
1069DB  
(REP1615D-M)

**ELECTRICAL PARTS LOCATION**

Ref. No.	Lo. No.	Ref. No.	Lo. No.	Ref. No.	Lo. No.	Ref. No.	Lo. No.	Ref. No.	Lo. No.	Ref. No.	Lo. No.	Ref. No.	Lo. No.	Ref. No.	Lo. No.	Ref. No.	Lo. No.
<b>K</b> CURRENT DRIVE AMP(L) P.C.B.																	
Q351	1F	Q401	3F	L351	3D	W351-2	3E	R359	1C	R373	2E	R401	3F	C355	3E	C717	3B
Q353	2D	D401	3F	CN301	2E	W401	3A	R361	1E	R375	2B	R403	3F	C357	2B	C719	3A
Q355	2D	D701	3B	CN303	2B	E701	3A	R363	1C	R377	3E	R405	3B	C359	2B		
Q357	1C	D703	3B	CP655	3D	R351	2F	R365	2E	R379	3E	R701	2C	C705	3C		
Q359	1D	D705	3B	CP701	3C	R353	2F	R367	2C	R381	3E	R703	3B	C707	3D		
Q361	1B	D707	3B	CP703	3B	R355	3E	R369	2D	R383	3F	C351	2E	C713	3B		
Q363	1E	TH351	2F	W351-1	3E	R357	3E	R371	2B	R397	1D	C353	3D	C715	3A		
<b>L</b> CURRENT DRIVE AMP(R) P.C.B.																	
Q352	4B	Q402	6A	L352	6C	W352-2	6B	R360	4C	R374	5E	R402	6A	C356	6C	C718	6F
Q354	5C	D402	6A	CN302	5B	W402	6F	R362	5D	R376	5E	R404	6A	C358	5E	C720	7F
Q356	5C	D702	6E	CN304	5E	E702	6F	R364	5B	R378	6A	R406	7E	C360	5E		
Q358	4C	D704	6E	CP656	6E	R352	5B	R366	4E	R380	6B	R702	6E	C706	6C		
Q360	4D	D706	6E	CP702	6D	R354	5B	R368	5C	R382	6B	R704	5D	C708	6D		
Q362	4B	D708	6E	CP704	6F	R356	6B	R370	5D	R384	6B	C352	5A	C714	6F		
Q364	4E	TH352	5B	W352-1	6C	R358	6C	R372	5B	R398	4C	C354	6B	C716	6F		

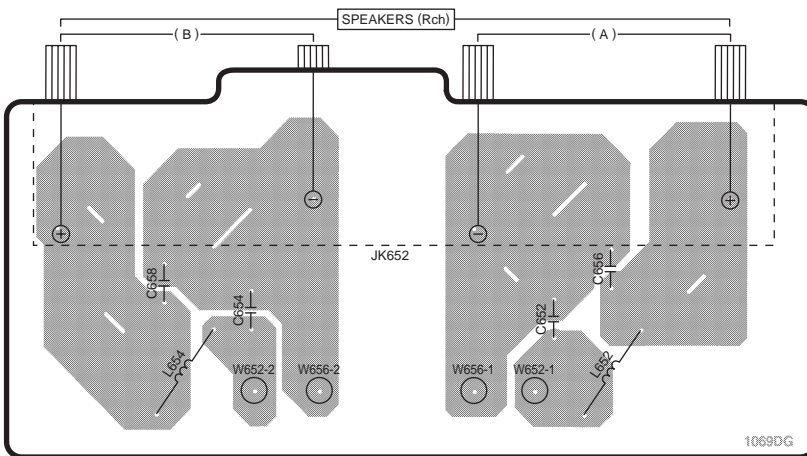
**J** VOLTAGE CONTROL AMP(R) P.C.B.

1  
2  
3  
4  
5  
6  
7  
8



1069DD  
(REP1615D-M)

**P** SPEAKER TERMINAL(R) P.C.B.



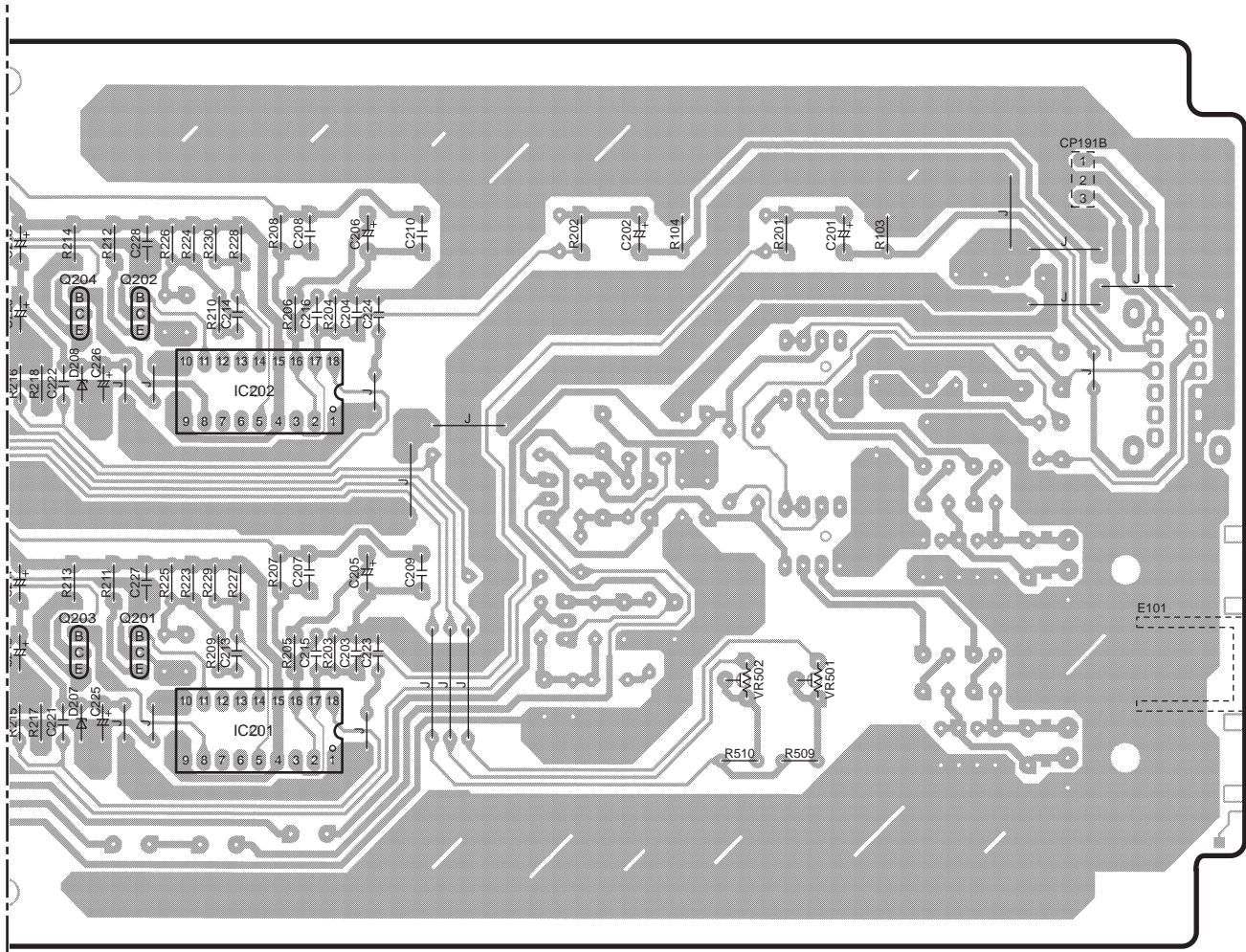
1069DG  
(REP1615D-M)

**ELECTRICAL PARTS LOCATION**

Ref. No.	Lo. No.	Ref. No.	Lo. No.
<b>J</b> VOLTAGE CONTROL AMP(R) P.C.B.			
IC302	2D	R268	2C
Q254	2C	R270	2D
Q256	3C	R272	2B
Q258	2D	R274	2B
Q260	2C	R276	2C
Q262	2D	R278	1C
Q264	2C	R302	3D
Q266	2C	R304	3D
Q302	2E	R306	3D
Q304	2E	R308	3D
Q306	3E	R310	4D
Q308	3E	R312	3D
D254	3C	R314	2D
D256	2D	R316	2D
D258	2C	R318	3E
D260	2C	R320	3E
D262	3C	R322	3E
D264	2C	R324	4D
D266	3C	R326	3F
D268	2C	R328	3D
D302	2E	R330	2D
D304	2E	C252	3C
D306	3E	C254	1D
D308	3E	C256	2C
VR252	2B	C258	3C
VR302	1E	C260	2C
TH252	2B	C302	3D
CP202	2E	C304	3D
CP302	4E	C306	3D
CP304	4B	C308	3D
TP252	1B	C310	2E
TP302	1F	C312	2E
R254	2B	C314	2E
R256	2B	C316	2E
R258	2B	C318	3B
R262	3C	C320	3B
R264	2C	C322	3D
R266	3C		

**P** SPEAKER TERMINAL(R) P.C.B.

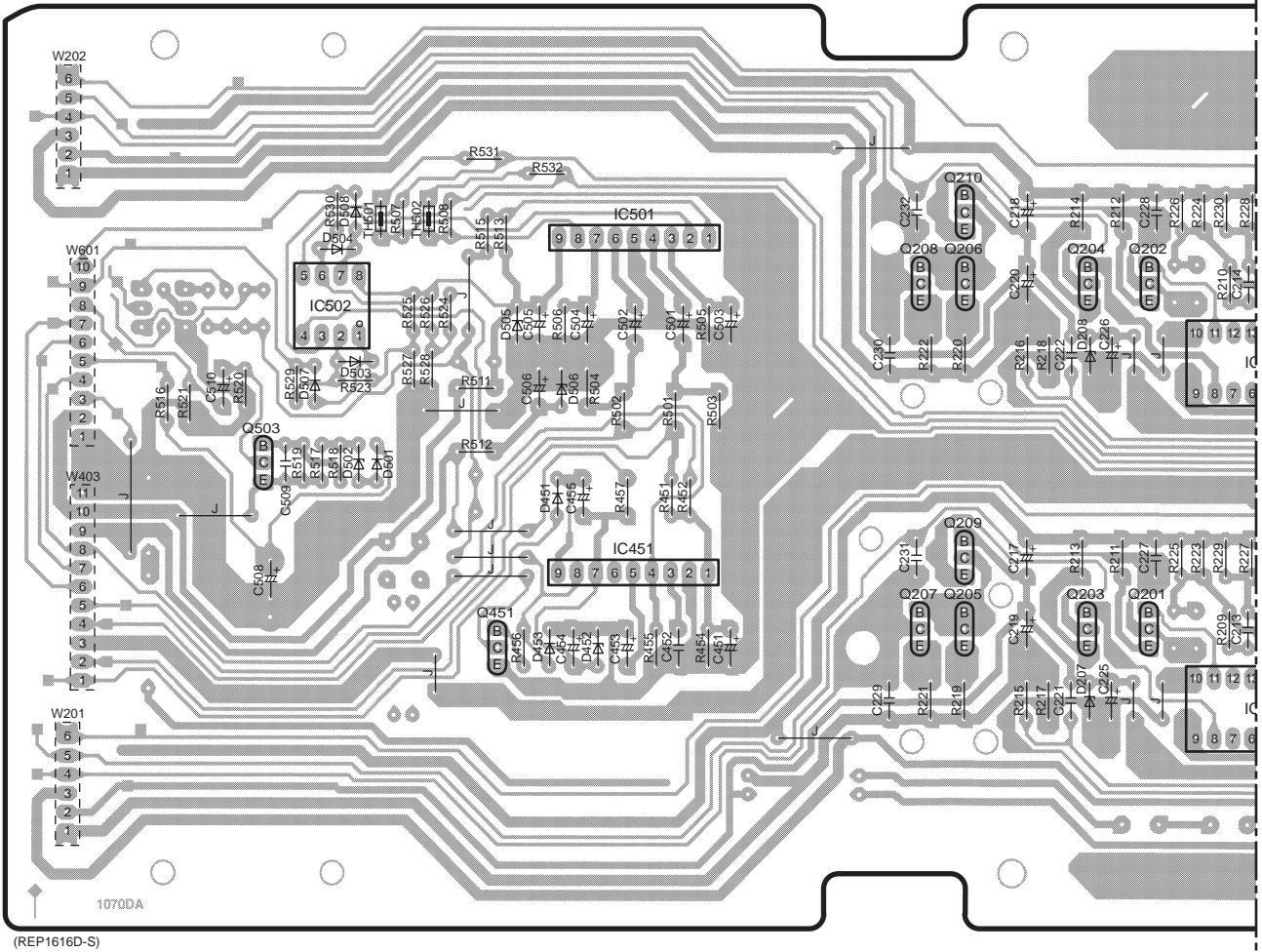
L652	7D	JK652	6C
L654	7B	C652	7C
W652-1	7C	C654	6B
W652-2	7B	C656	6D
W656-1	7C	C658	6B
W656-2	7B		



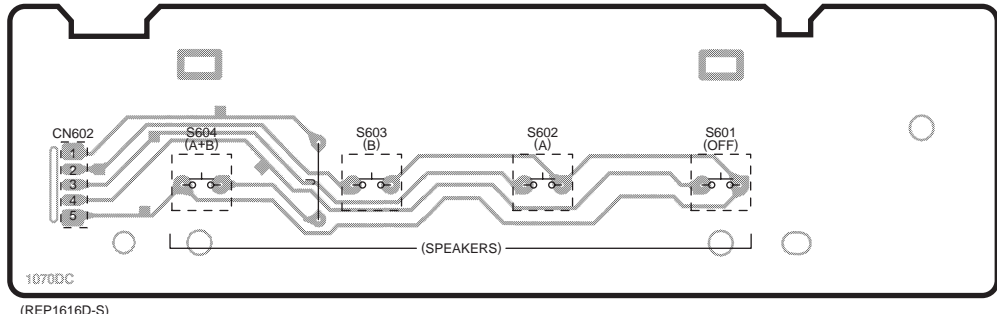
**ELECTRICAL PARTS LOCATION**

Ref. No.	Lo. No.	Ref. No.	Lo. No.	Ref. No.	Lo. No.	Ref. No.	Lo. No.	Ref. No.	Lo. No.	Ref. No.	Lo. No.	Ref. No.	Lo. No.
<b>D MAIN P.C.B.</b>													
IC201	4G	D501	3B	R203	4H	R225	4F	R511	3C	C203	4H	C227	4F
IC202	2G	D502	3B	R204	2H	R226	2F	R512	3C	C204	2H	C228	2F
IC451	4D	D503	3B	R205	4H	R227	4G	R513	2C	C205	4H	C229	4E
IC501	2D	D504	2B	R206	2H	R228	2H	R515	2C	C206	2H	C230	3E
IC502	2B	D505	3C	R207	4H	R229	4G	R516	3A	C207	4H	C231	4E
Q201	4F	D506	3C	R208	2H	R230	2G	R517	3B	C208	2H	C232	2E
Q202	2F	D507	3B	R209	4G	R451	3D	R518	3B	C209	4H	C451	4D
Q203	4F	D508	2B	R210	2G	R452	3D	R519	3B	C210	2H	C452	4D
Q204	2F	VR501	4J	R211	4F	R454	4D	R520	3B	C213	4G	C453	4D
Q205	4E	VR502	4J	R212	2F	R455	4D	R521	3B	C214	2H	C454	4D
Q206	2E	TH501	2B	R213	4F	R456	4C	R523	3B	C215	4H	C455	3C
Q207	4E	TH502	2C	R214	2F	R457	3D	R524	2C	C216	2H	C501	3D
Q208	2E	CP191B	2L	R215	4E	R501	3D	R525	2C	C217	4E	C502	3D
Q209	4E	W201	4A	R216	3E	R502	3D	R526	2C	C218	2E	C503	3D
Q210	2E	W202	1A	R217	4F	R503	3D	R527	3C	C219	4E	C504	3D
Q451	4C	W403	3A	R218	3F	R504	3C	R528	3C	C220	2E	C505	3C
Q503	3B	W601	2A	R219	4E	R505	3D	R529	3B	C221	4F	C506	3C
D207	4F	E101	4L	R220	3E	R506	3C	R530	2B	C222	3F	C508	4B
D208	3F	R103	2K	R221	4E	R507	2C	R531	2C	C223	4H	C509	3B
D451	3C	R104	2J	R222	3E	R508	2C	R532	2C	C224	2H	C510	3B
D452	4C	R201	2J	R223	4G	R509	4J	C201	2J	C225	4F		
D453	4C	R202	2I	R224	2G	R510	4J	C202	2I	C226	3F		
<b>F SEAKER SW P.C.B.</b>													
S601	7D	S602	7D	S603	7C	S604	7B	CN602	7B				

**D** MAIN P.C.B.



**F** SPEAKER SW P.C.B.



A

B

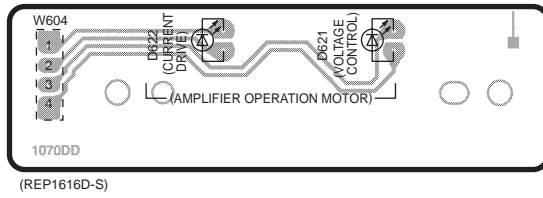
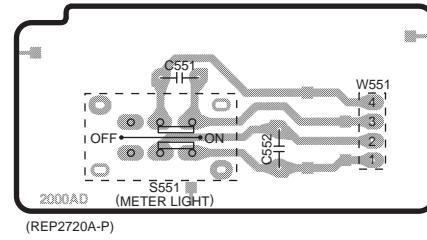
C

D

E

F

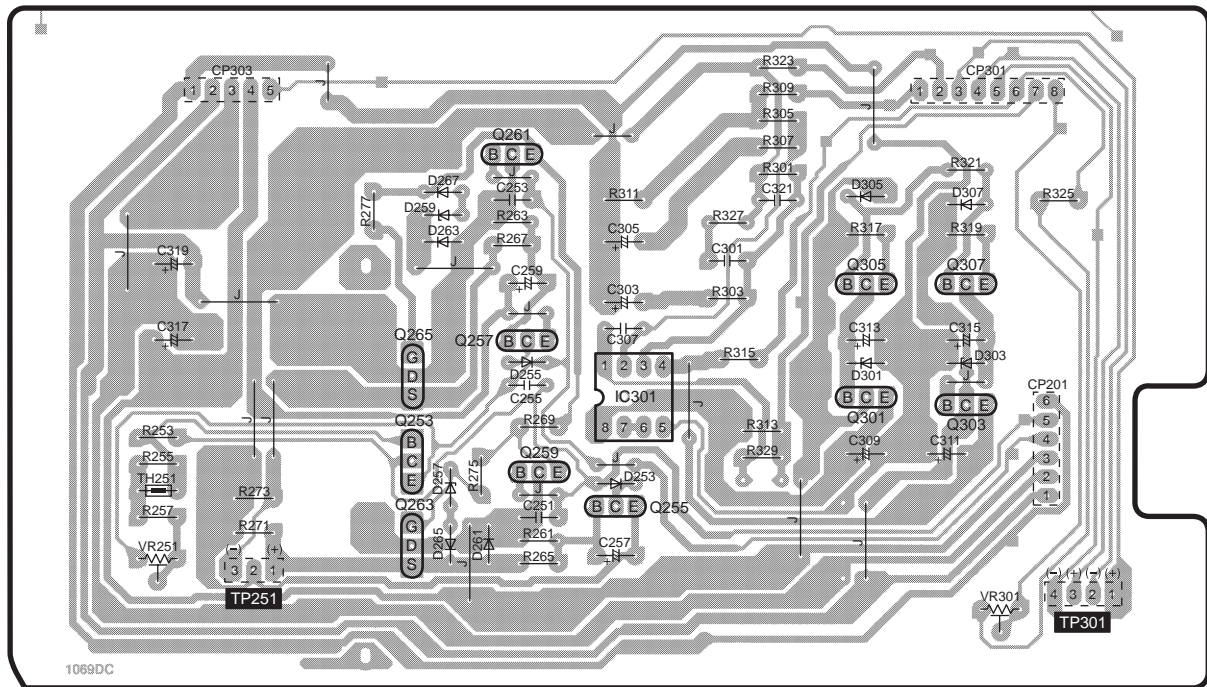
1

**G** LED P.C.B.**E** LIGHT SW P.C.B.

2

**I** VOLTAGE CONTROL AMP(L) P.C.B.

3



4

5

6

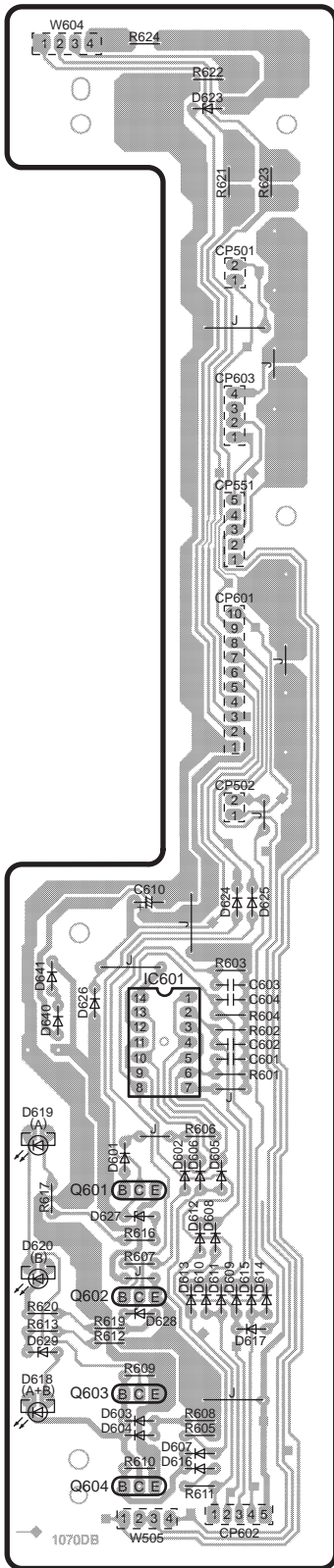
**ELECTRICAL PARTS LOCATION**

Ref. No.	Lo. No.	Ref. No.	Lo. No.	Ref. No.	Lo. No.	Ref. No.	Lo. No.	Ref. No.	Lo. No.	Ref. No.	Lo. No.	Ref. No.	Lo. No.
<b>G</b> LED P.C.B.													
D621	1C	D622	1B	W604	1A								
<b>E</b> LIGHT SW P.C.B.													
S551	2E	W551	2F	C551	2E	C552	2E						
<b>I</b> VOLTAGE CONTROL AMP(L) P.C.B.													
IC301	5D	Q307	4E	D305	4E	R255	5B	R301	4D	R323	3D	C305	4D
Q253	5C	D253	5D	D307	4E	R257	5B	R303	4D	R325	4F	C307	4D
Q255	5D	D255	5C	VR251	5B	R261	5C	R305	3D	R327	4D	C309	5E
Q257	4C	D257	5C	VR301	6E	R263	4C	R307	4D	R329	5D	C311	5E
Q259	5C	D259	4C	TP251	5B	R265	5C	R309	3D	C251	5C	C313	4E
Q261	4C	D261	5C	CP201	5F	R267	4C	R311	4D	C253	4C	C315	4E
Q263	5C	D263	4C	CP301	3E	R269	5C	R313	5D	C255	5C	C317	4B
Q265	5C	D265	5C	CP303	3B	R271	5B	R315	5D	C257	5D	C319	4B
Q301	5E	D267	4C	TP251	5B	R273	5B	R317	4E	C259	4C	C321	4D
Q303	5E	D301	5E	TP301	6F	R275	5C	R319	4E	C301	4D		
Q305	4E	D303	5E	R253	5B	R277	4C	R321	4E	C303	4D		

7

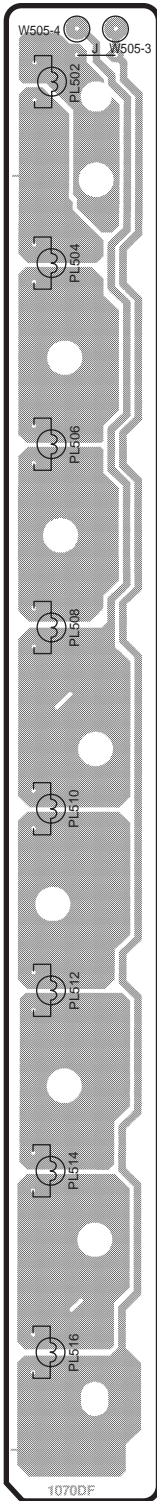
8

# H SPEAKER SELECT LOGIC P.C.B.



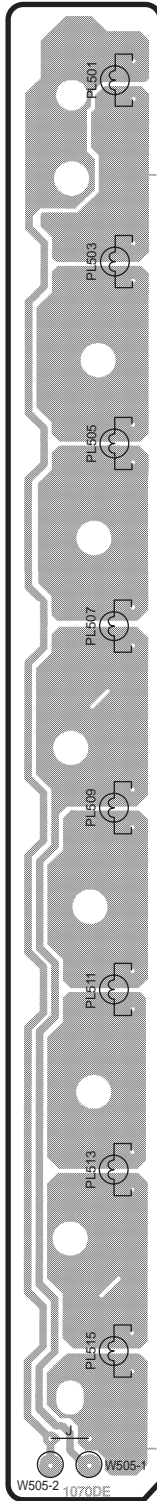
(REP1616D-S)

# C LAMP(B) P.C.B.



(REP1616D-S)

# B LAMP(A) P.C.B.



(REP1616D-S)

## ELECTRICAL PARTS LOCATION

Ref. No.	Lo. No.	Ref. No.	Lo. No.
<b>H SPEAKER SELECT LOGIC P.C.B.</b>			
IC601	6A	CP501	2B
Q601	6A	CP502	5B
Q602	7A	CP551	3B
Q603	7A	CP601	4B
Q604	8A	CP602	8B
D601	6A	CP603	3B
D602	6B	W505	8A
D603	8A	W604	1A
D604	8A	R601	6B
D605	6B	R602	6B
D606	6B	R603	5B
D607	8B	R604	6B
D608	7B	R605	8B
D609	7B	R606	6B
D610	7B	R607	7A
D611	7B	R608	8B
D612	7B	R609	7A
D613	7B	R610	8A
D614	7B	R611	8B
D615	7B	R612	7A
D616	8B	R613	7A
D617	7B	R616	7A
D618	7A	R617	7A
D619	6A	R619	7A
D620	7A	R620	7A
D623	2B	R621	2B
D624	5B	R622	1B
D625	5B	R623	2B
D626	6A	R624	1A
D627	7A	C601	6B
D628	7A	C602	6B
D629	7A	C603	6B
D640	6A	C604	6B
D641	5A	C610	5A
<b>C LAMP(B) P.C.B.</b>			
PL502	2C	PL512	6C
PL504	3C	PL514	7C
PL506	3C	PL516	7C
PL508	4C	W505-3	2C
PL510	5C	W505-4	2C
<b>B LAMP(A) P.C.B.</b>			
PL501	2D	PL511	6D
PL503	3D	PL513	7D
PL505	4D	PL515	8D
PL507	4D	W505-1	8D
PL509	5D	W505-2	8D

A

B

C

D

E

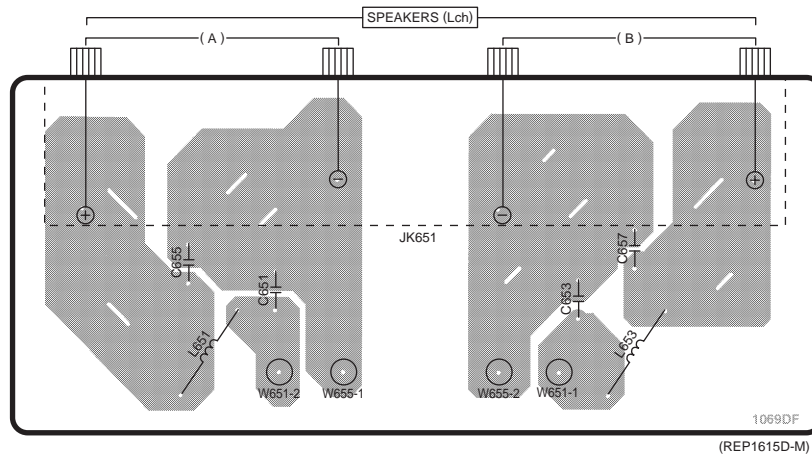
F

1

## O SPEAKER TERMINAL(L) P.C.B.

2

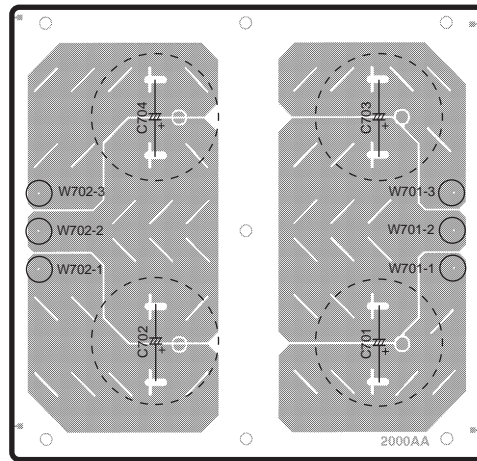
3



4

## M CAPACITOR P.C.B.

5

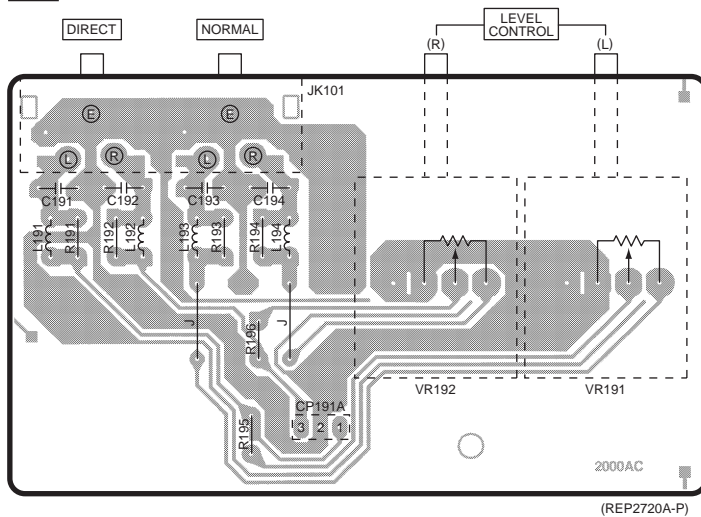


6

## A INPUT TERMINAL P.C.B.

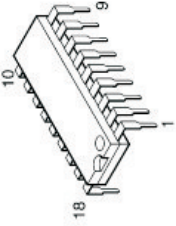
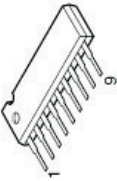
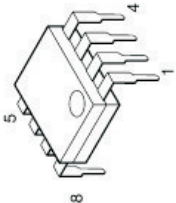
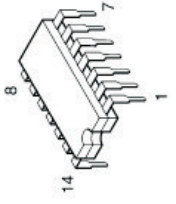
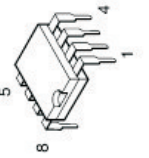
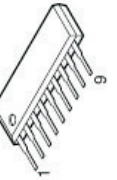
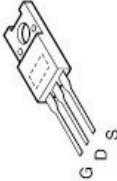
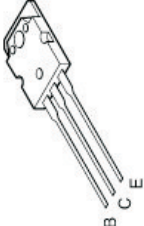
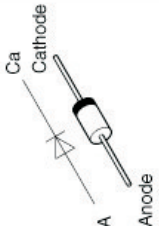
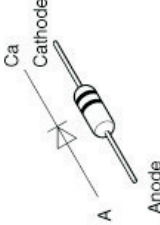
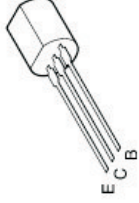

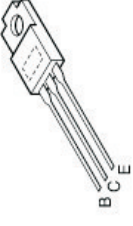
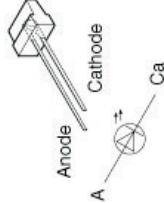
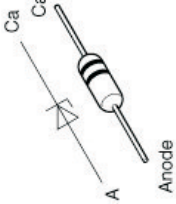
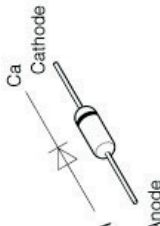
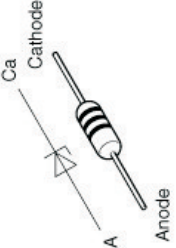
7

8

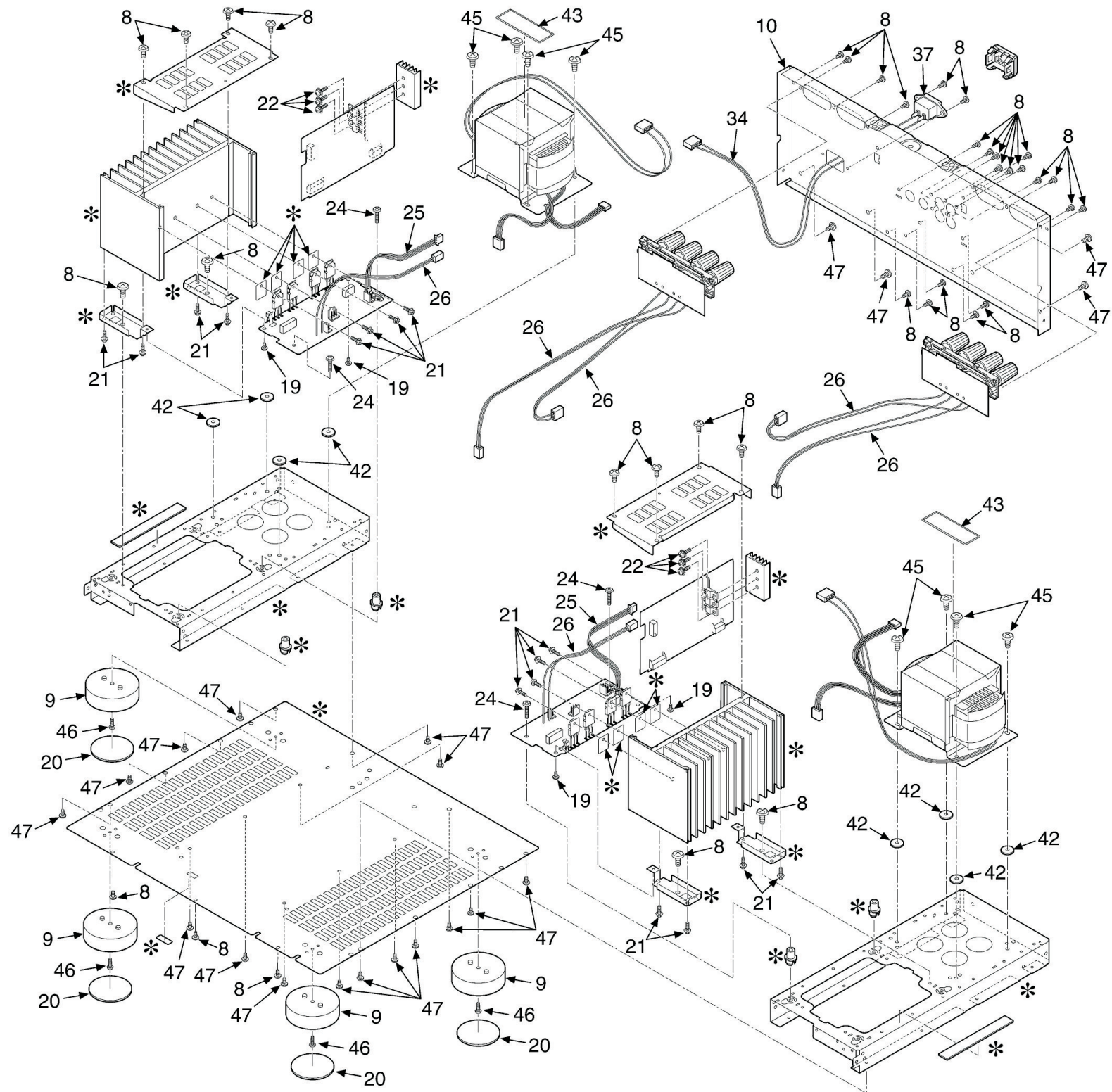


### ELECTRICAL PARTS LOCATION

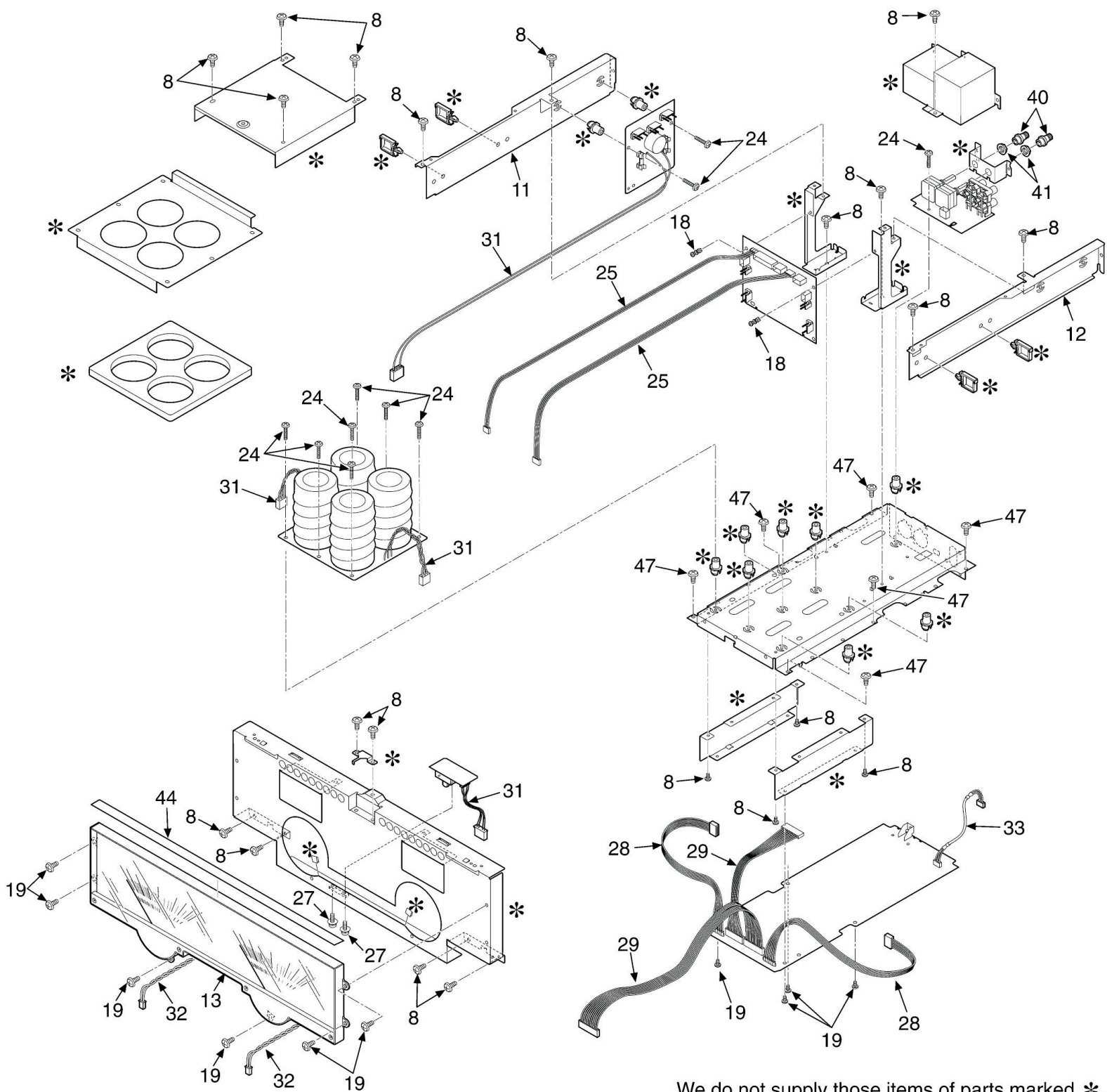
Ref. No.	Lo. No.	Ref. No.	Lo. No.
<b>O</b> SPEAKER TERMINAL(L) P.C.B.			
L651	3B	JK651	2C
L653	3D	C651	2C
W651-1	3D	C653	2D
W651-2	3C	C655	2B
W655-1	3C	C657	2D
W655-2	3D		
<b>M</b> CAPACITOR P.C.B.			
W701-1	5D	W702-3	5B
W701-2	5D	C701	5C
W701-3	5D	C702	5B
W702-1	5B	C703	4C
W702-2	5B	C704	4B
<b>A</b> INPUT TERMINAL P.C.B.			
VR191	8D	R192	7A
VR192	8C	R193	7B
L191	7A	R194	7B
L192	7B	R195	8B
L193	7B	R196	8B
L194	7B	C191	7A
CP191A	8B	C192	7B
JK101	7B	C193	7B
R191	7A	C194	7B

AN7062N 	BA6138 	M5218AP 	TC4001BPN 	M5219P 	AN7073 
2J3130Y 2SK20130Y 	2SA1941R 2SC5198R 	ECP30DL6414 	MA185TA 	2SA992EFPPTA 2SA1123RSTTA 2SC1815BGL 2SC2631RSTTA 	2SA1048ABCTA 2SB1036RSTTA 2SC2458ABCTA 
2SA1535AQRS 2SC3944AQRS 2SD1761EF 	LN446YP-C LN846RP-C 	MA4100MTA MA4110MTA MA4160MTA 	MA165TA MA29WATA 1SR35200TB 	MA4036MTA MA4051MTA MA4082MTA 	

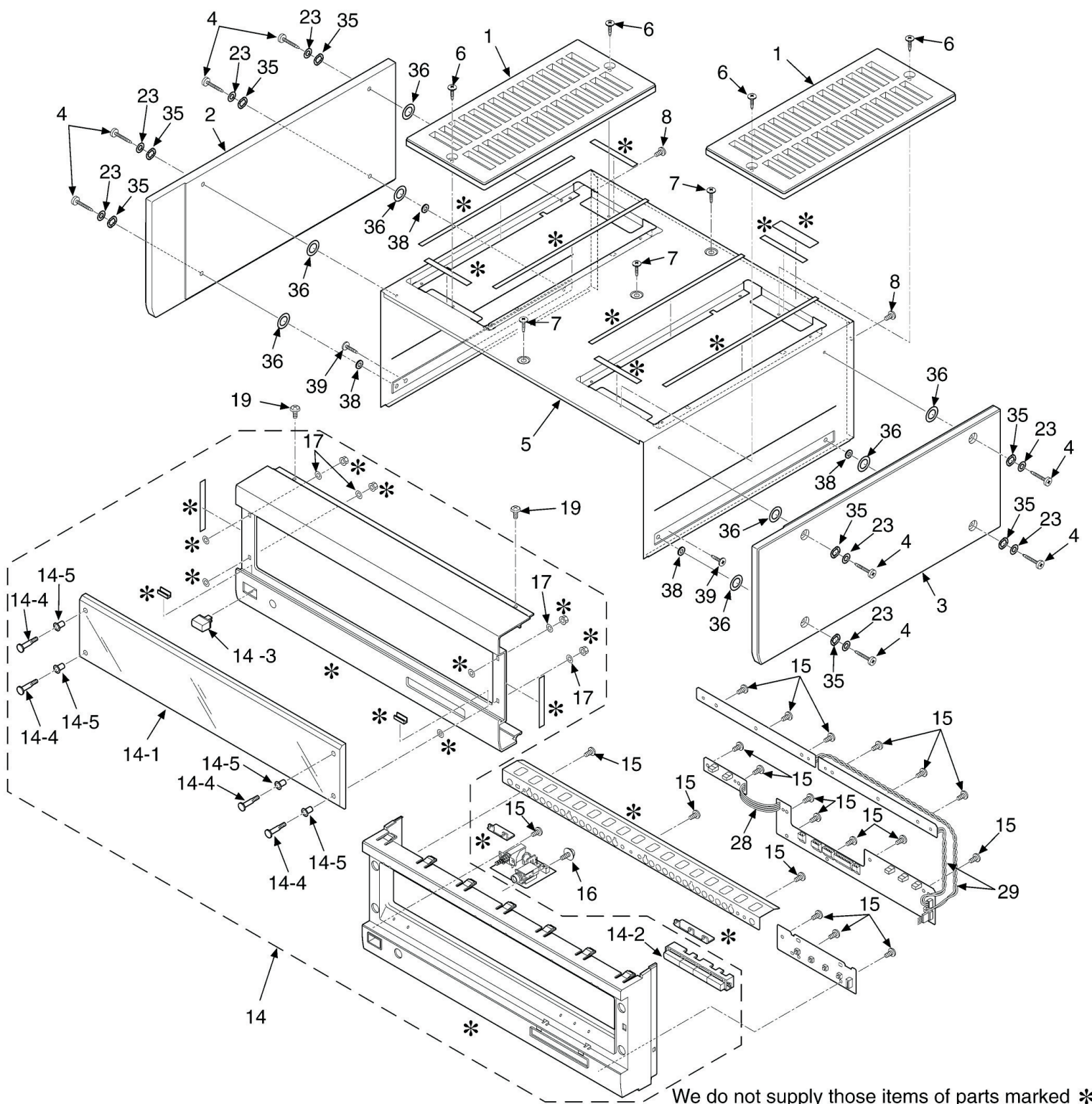


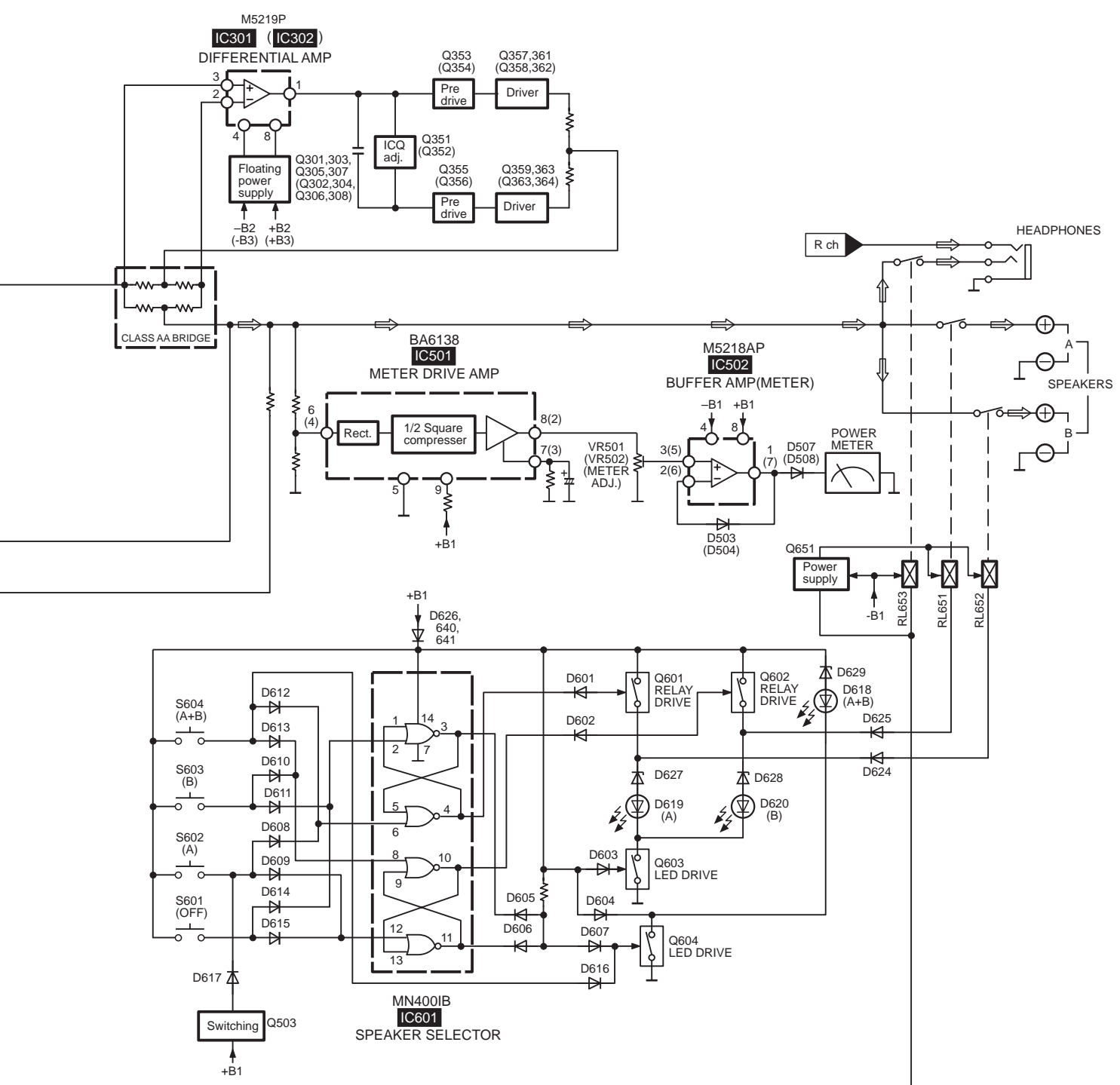


We do not supply those items of parts marked \*.



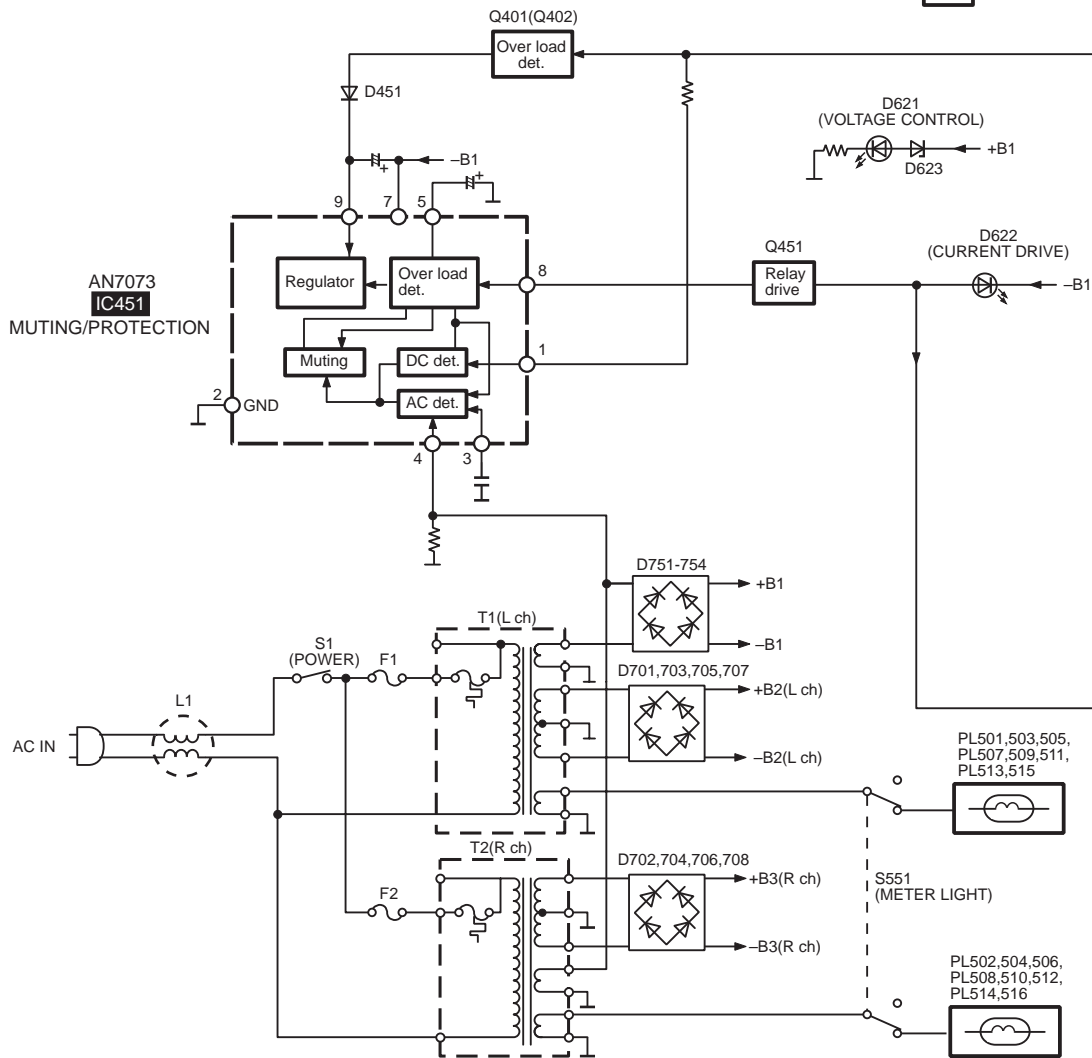
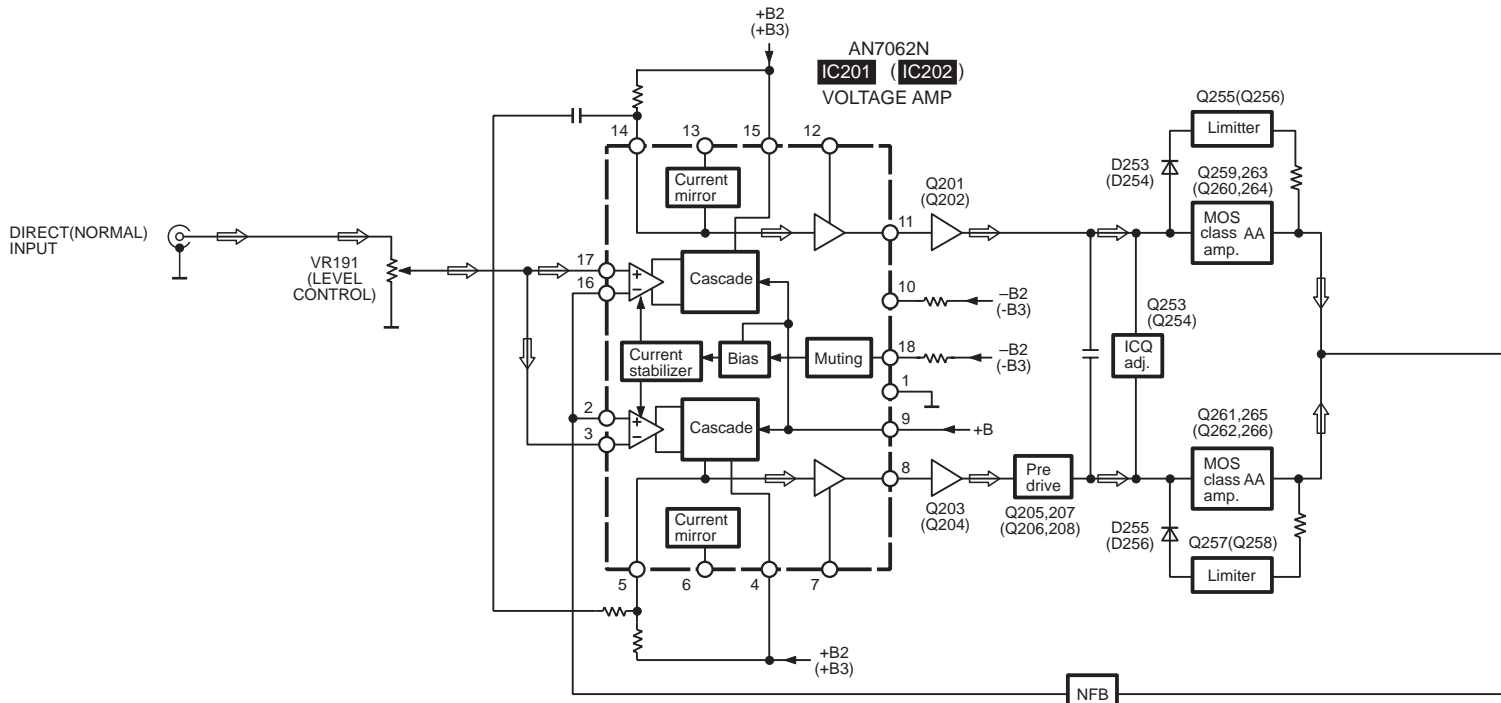
We do not supply those items of parts marked \*.

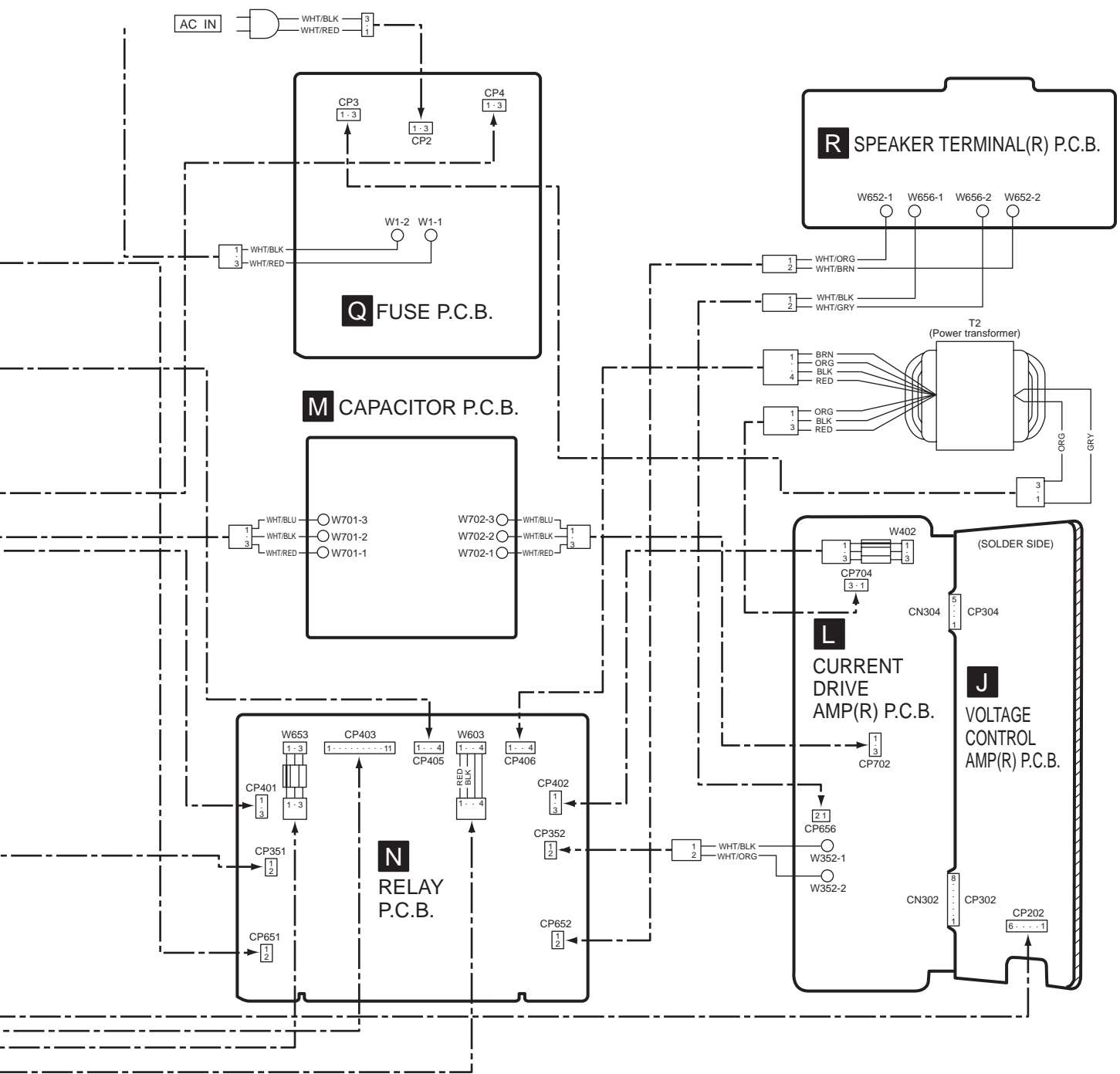




Notes

- Signal line      ⇨ : Source signal
- ( ) indicates pin No. Right channel.





**B** LAMP(A) P.C.B.



**C** LAMP(B) P.C.B.



NOTE:  
 BLK .... Black    ORG .... Orange  
 BLU .... Blue    RED .... Red  
 BRN .... Brown    WHT .... White  
 GRY .... Gray