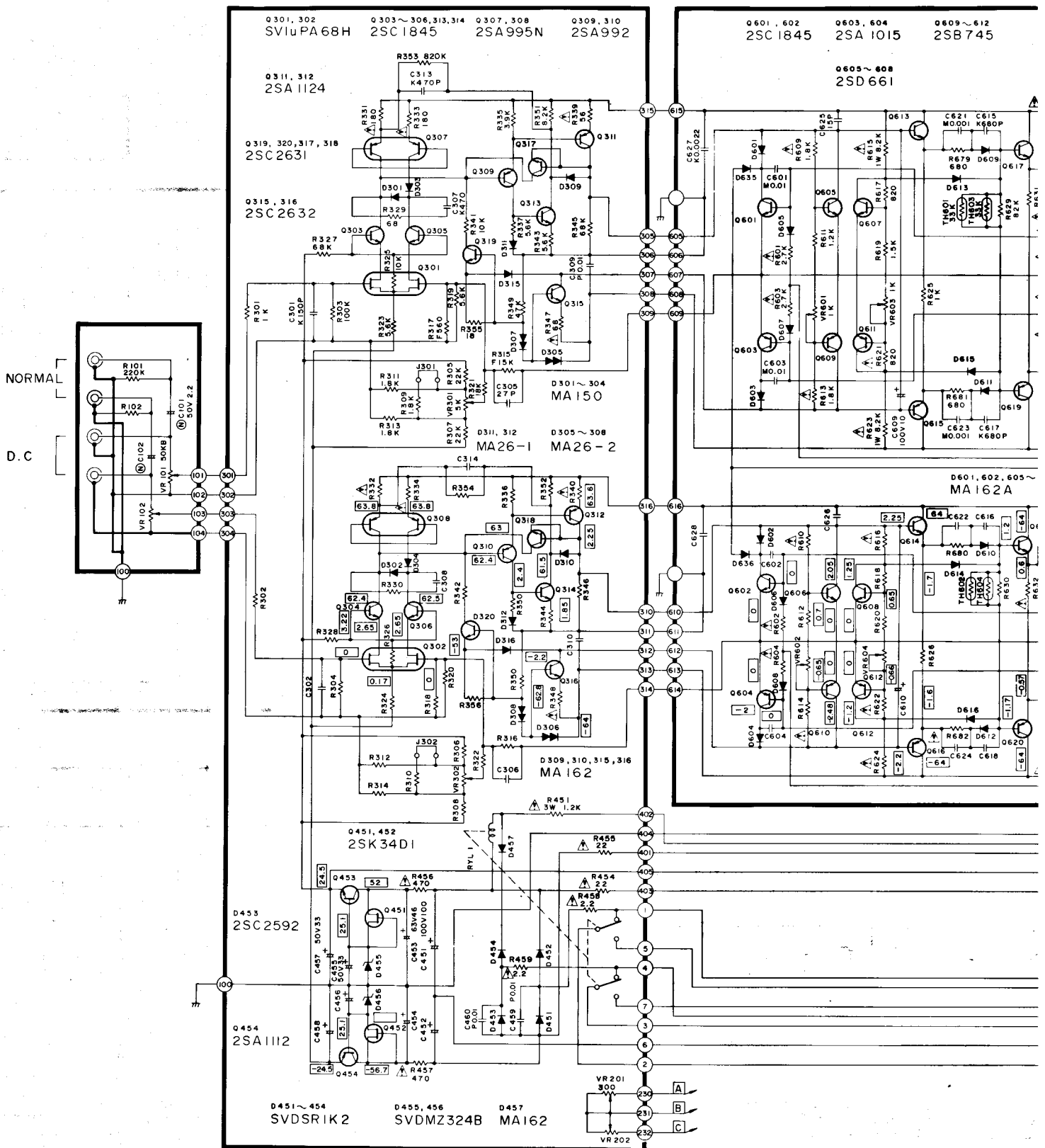
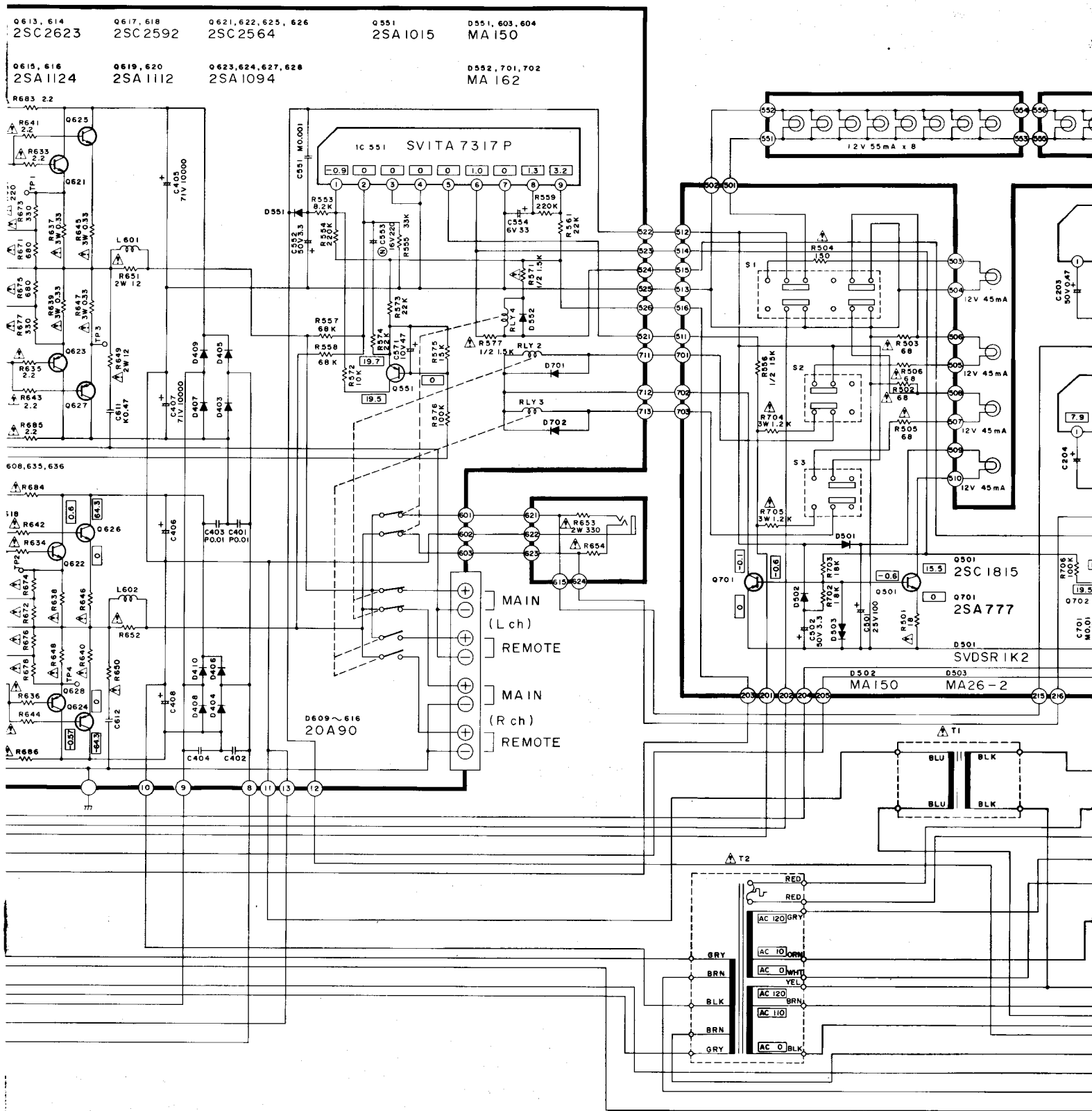
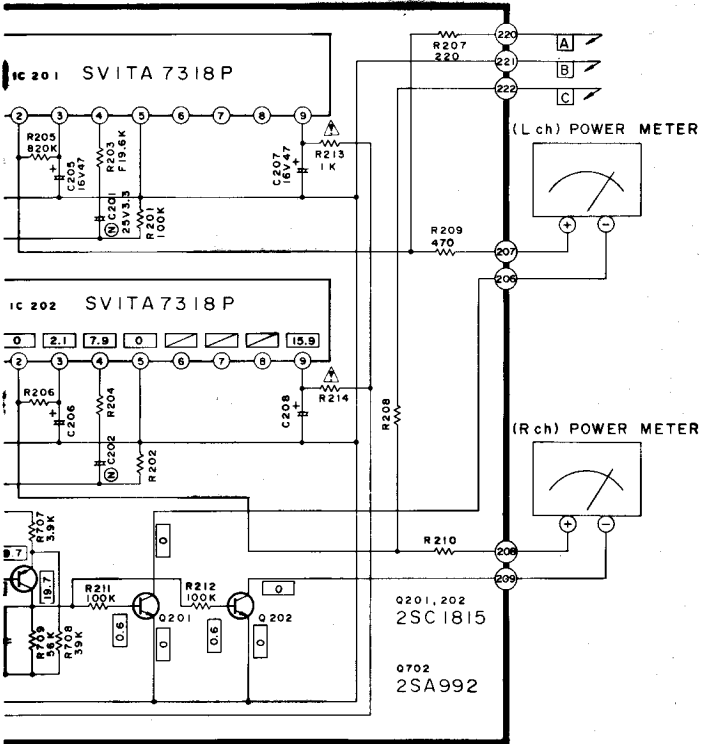
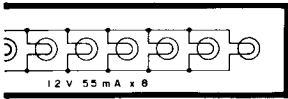


Schematic Diagram... Model SE-A5/SE-A5K (This s

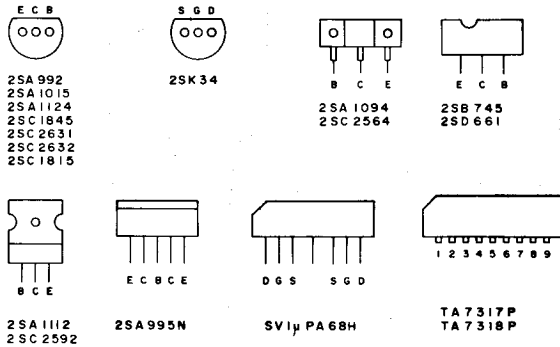


Schematic diagram may be modified at any time with the development of new technology).





TERMINAL GUIDE



NOTES

- 1, S1 Output power switch in "full" position.
- 2, S2 Main speaker switch in "on" position.
- 3, S3 Remote speaker switch in "off" position.
- 4, S4 Power switch in "on" position.
- 5, All the resistor otherwise notid are 1/4W±5% carbon film resistors.
- 6, Tolerance
K = ±10% M = ±20%
- 7, (⊕) Mark is non polar electrolytic capacitor.
⚠ Mark is safete part.
- 8, S5 Volt adj switch in "220V" position.

