

# Service Manual

TURNTABLE BASE/DUST COVER

## SH-10B3- (X)



SP-10MK II  
(Separately available)

### ■ SPECIFICATIONS

External dimensions. . . . . 56 x 46.5 x 17 cm (W x D x H)  
Weight. . . . . 12 kg (including dust cover)  
(26.5 lbs.)

## ■ PARTS IDENTIFICATION

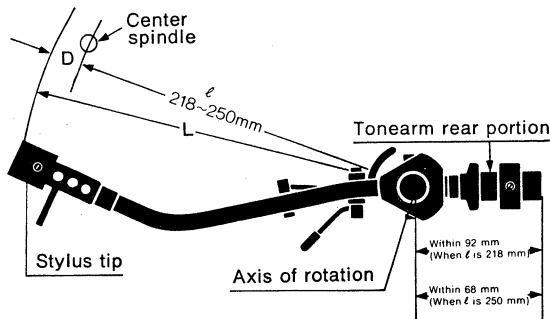


## ■ TONEARMS ATTACHABLE TO THE UNIT

Since tonearms attachable to this unit are limited in their dimensions and configurations, select a suitable tonearm based on the following dimensions.

### Note:

- 1) A tonearm having its rear portion longer than that shown in the figure can not be used due to contact with the dust cover.
- 2) A tonearm whose arm rest is formed to be a separate component can not be employed, either.  
(This is because of the difficulty in drilling a hole for the arm rest in the turntable base.)



L...Arm effective length  
Length between the stylus tip and axis of rotation

D...Overhang

$l$ ...Tonearm setting length  
Length between the center spindle and axis of rotation

When the length ( $l$ ) =  $L - D$  is between 218 and 250 mm, the tonearm can be used.

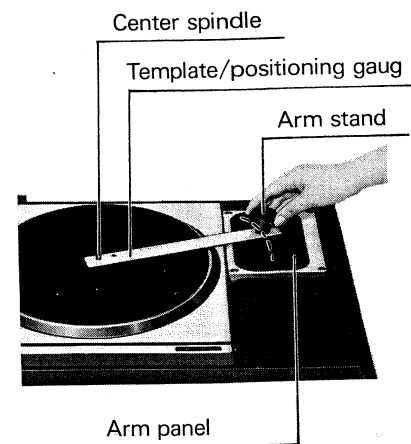
## ■ INSTALLATION OF THE TONEARM

The procedures described below relate to one example for installing a tonearm. When actually attaching, mount correctly according to the instructions for the tonearm you are now using.

1. Align the screw hole of the arm panel with that of the turntable base as shown.
2. Fit the template (positioning gauge for the tonearm installation) furnished with the tonearm into the center spindle of the turntable. Determine the tonearm mounting position while moving along the dotted line and mark the set position with a pencil or the like.

### Note:

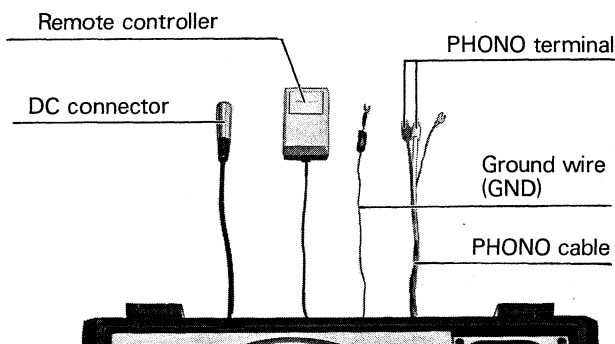
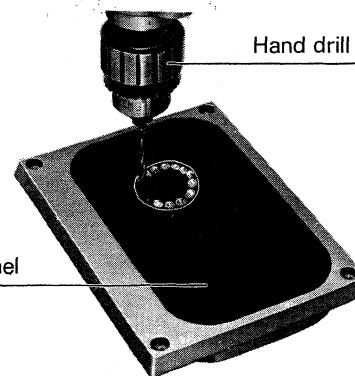
In the above position setting, ensure that the rear portion of the tonearm does not contact the dust cover during playing.



**3. Drill holes in the arm panel.**

Drill holes with a hand drill or the like as shown along the circumference marked in the previous item. Next cut off unnecessary portions and finish with a round file.

**4. Mount the tonearm on the arm panel, and pass the PHONO terminal side of the arm output cord through the surface of the turntable base. At the side pull it out from under the base.**



**5. Secure the arm panel with screws.**

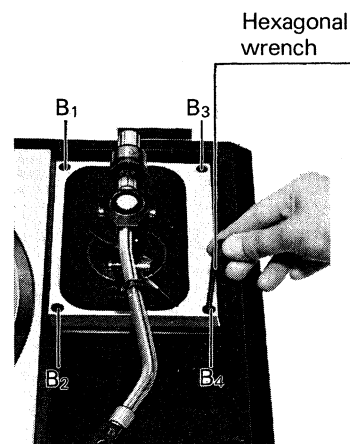
Tightly secure 4 positions B<sub>1</sub> to B<sub>4</sub> with screws, using the furnished hexagonal wrench.

After the above procedure, the mounting of the tonearm has been completed.

For adjustments of the height and range of rotation of the tonearm, follow the instructions furnished with the tonearm you are using.

**Note.**

Should no template/positioning gauge or the like be furnished with the tonearm you are using, calculate the length from the center spindle to the tonearm installing position by subtracting the overhang length from the effective length of the tonearm. Set the tonearm according to this calculated length.



**■ PARTS LIST**

Ref. No.	Part No.	Description	Per Set	Remarks	Ref. No.	Part No.	Description	Per Set	Remarks
1	SFAD103-01	Dust cover	1	○	<b>ACCESSORY PARTS</b>				
2	SFUP103-02	Hinge (A)	2	○	A1	SFNU103X01	Instruction Book	1	○
3	SFUP103-03	Bracket, Hinge	2	○	A2	SFAZ103-02	Arm Panel	1	○
3-1	XST4+10FZS	Screw	4	○	A3	SFAZ103-01	Base, Arm Panel	1	○
4	SFGZ103-03	Cussion, Dust cover	2	○	A4	XMC27+16FV	Screw	4	○
5	SFAT103-01A	Hinge ass'y	2	○	A5	SFXZ103-01	Allen Wrench	1	○
5-1	XYN5+C8FZS	Screw	2	○	<b>PACKING MATERIALS</b>				
5-2	XMC38+32FZ	Screw	4	○	P1	SFHP103M01	Packing case (Outer)	1	○
6	SFXG103-01	Screw, Arm Panel	4	○	P2	SFHP103X02	Packing case (Inner)	1	○
7	SFAZ103-02	Arm Panel	1	○	P3	SFHH103-01	Side Pad (Left)	1	○
8	SFAZ103-01	Base, Arm Panel	1	○	P4	SFHH103-02	Side Pad (Right)	1	○
8-1	XMC27+16FV	Screw	4	○	P5	SFHD103-01	Pad, Top	1	○
9	SFGZ103-01	Spacer Rubber, Turntable	1	○	P6	SFHH103-03	Pad, Arm Panel	1	○
10	SFAC103-01	Cabinet	1	○	P7	SFHD103-02	Arm Panel Pad	1	○
11	SFGZ103-04	Tube	5	○	P8	SFHD103-03	Case, Arm Panel	1	○
12	SFUP103-01	Bracket, Arm Panel	2	○	P9	SFHD103-04	Pad, Arm Panel Case	1	○
13	SFGZ103-02	Spacer Rubber, Cabinet	1	○	P10-1	SFYF60A80	Polyethylene Pack	2	○
14	SFAU103-01	Bottom case	1	○	P10-2	SFYF17A25	Polyethylene Pack	2	○
15	SFGA103-01A	Audio insulator ass'y	4	○	P10-3	SFYF09B15	Polyethylene Pack	1	○
16	XMC38+32FZ	Screw	4	○					
17	SFNN103X01	Name Plate	1	○					

# CABINET PARTS LOCATION

