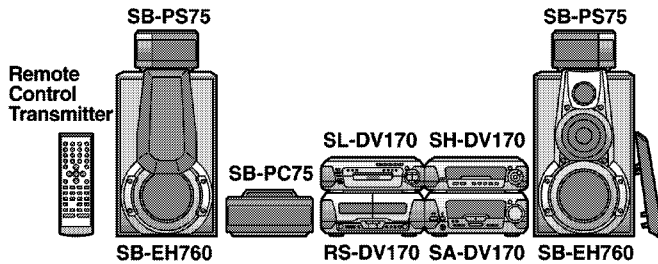
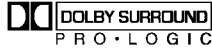


# Service Manual

## Sound Processor



## SH-DV170

Colour

(S).....Silver Type

Area

(EG).....Europe.

Because of unique interconnecting cables, when a component requires service, send or bring in the entire system.

System	SC-DV170
Sound Processor	SH-DV170
Tuner/Amplifier	SA-DV170
DVD Changer	SL-DV170
Cassette Deck	RS-DV170
Front Speakers*	SB-EH760
Center Speaker*	SB-PC75
Surround Speakers*	SB-PS75

\* : Made in Spain.

## Specifications

### EQ/SFP section

#### MANUAL GEQ:

##### 3-Band parametric EQ Center frequency;

High band 3.5 kHz, 5.3 kHz, 8 kHz, 12.5 kHz  
Mid band 240 Hz, 390 Hz, 630 Hz, 1 kHz,  
1.5 kHz, 2.3 kHz, 3.5 kHz

Low band 70 Hz, 90 Hz, 143 Hz, 240 Hz  
± 1.2, 2.4, 3.6, 4.8, 6 dB

#### Level control;

#### EQ SPACE mode:

3 modes; HEAVY, CLEAR, HALL

#### 3D acoustic image EQ:

3 modes; AI EQ, 3D AI 1, 3D AI 2

### Pre-amplifier section

#### Input sensitivity/impedance:

VCR (EXT); 250 mV/15 kΩ  
VDP (AUX); 250 mV/15 kΩ

#### Output level:

VCR REC OUT; 150 mV/1.5 kΩ

### DOLBY PRO LOGIC section

#### PRO LOGIC mode:

SURROUND

#### CENTER mode:

NORMAL

#### DELAY TIME:

20 ms (Fixed)

### AV SURROUND section

#### AV surround mode:

SIMULATED STEREO  
SUPER SURROUND (MUSIC, MOVIE)

### DSP CONTROL section

#### DSP control mode:

SEAT POSITION  
CENTER FOCUS (1, 2),  
VIRTUAL REAR SURROUND,  
MULTI REAR SURROUND,  
3D ENHANCED SURROUND

### Spectrum Analyzer section

#### Display mode:

NORMAL, PEAKHOLD, AURORA

### General

#### Dimensions (W×H×D):

293×89×270 mm

#### Mass:

1.5 kg

Notes: Specifications are subject to change without notice.  
Mass and dimensions are approximate.

Manufactured under license from Dolby Laboratories.

"Dolby", "Pro logic" and the double-D symbol are trademarks of Dolby Laboratories. Confidential unpublished work. © 1992–1997 Dolby Laboratories. All rights reserved.

## ⚠ WARNING

This service information is designed for experienced repair technicians only and is not designed for use by the general public. It does not contain warnings or cautions to advise non-technical individuals of potential dangers in attempting to service a product. Products powered by electricity should be serviced or repaired only by experienced professional technicians. Any attempt to service or repair the product or products dealt with in this service information by anyone else could result in serious injury or death.

# Technics®

© 2000 Matsushita Electric Industrial Co., Ltd. All rights reserved. Unauthorized copying and distribution is a violation of law.

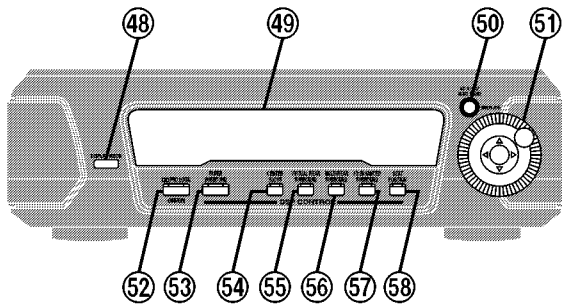
# CONTENTS

	Page		Page
<b>1 Note</b> .....	2	<b>7 Printed Circuit Board Diagram</b> .....	17
<b>2 Location of Controls</b> .....	2	<b>8 Type Illustration of ICs, Transistors and Diodes</b> .....	20
<b>3 Operation Checks and Component Replacement Procedures</b>	3	<b>9 Wiring Connection Diagram</b> .....	21
3.1. Checking for the FL P.C.B. ....	3	<b>10 Block Diagram</b> .....	22
3.2. Checking for the main P.C.B. ....	3	<b>11 Terminal Function of ICs</b> .....	27
<b>4 To Supply Power Source</b> .....	5	11.1. IC601 (C2BAGF000006):System Control/FL Drive .....	27
<b>5 Schematic Diagram Notes</b> .....	5	<b>12 Replacement Parts List</b> .....	28
<b>6 Schematic Diagram</b> .....	6	<b>13 Cabinet Parts Location</b> .....	32

## 1 Note

Refer to the service manual for Model No. SA-DV170 (Order No. AD0005112C2) for information on Accessories and Packaging.

## 2 Location of Controls

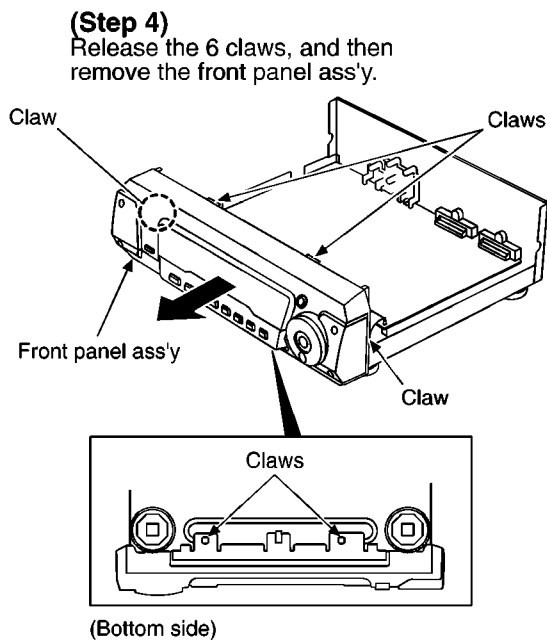
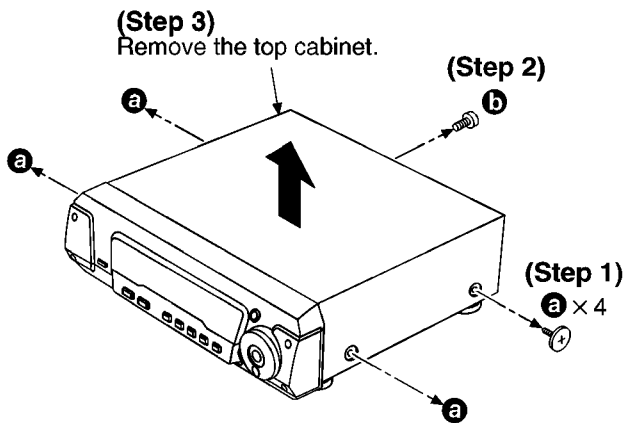


- ④⑧ Display mode button (DISPLAY MODE)
- ④⑨ Display
- ⑤⑩ 3D AI EQ, M.EQ BAND button  
(3D AI EQ/M.EQ BAND)
- ⑤⑪ Jog control and joystick (MULTI JOG)
- ⑤⑫ DOLBY PRO LOGIC button and indicator  
(PROLOGIC, OFF/ON)
- ⑤⑬ Super surround button and indicator  
(SUPER SURROUND)
- ⑤⑭ Center focus button and indicator (CENTER FOCUS)
- ⑤⑮ Virtual rear surround button and indicator  
(VIRTUAL REAR SURROUND)
- ⑤⑯ Multi rear surround button and indicator  
(MULTI REAR SURROUND)
- ⑤⑰ 3D enhanced surround button and indicator  
(3D ENHANCED SURROUND)
- ⑤⑱ Seat position button and indicator  
(SEAT POSITION)

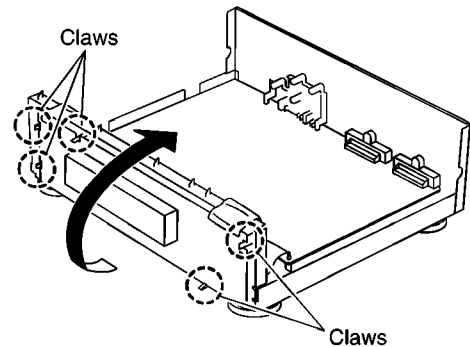
### 3 Operation Checks and Component Replacement Procedures

- This section describes procedures for checking the operation of the major printed circuit boards and replacing the main components.
- For reassembly after operation checks or replacement, reverse the respective procedures. Special reassembly procedures are described only when required.

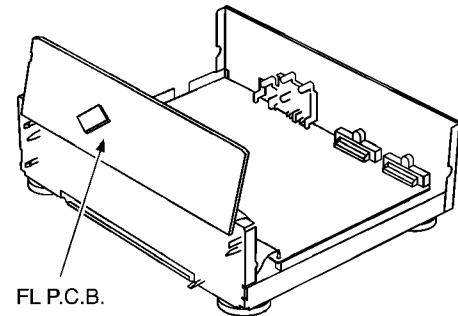
#### 3.1. Checking for the FL P.C.B.



- (Step 5)**  
Release the 5 claws, and then remove the FL P.C.B..

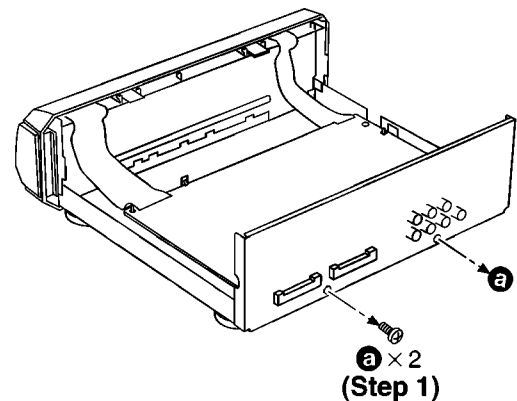


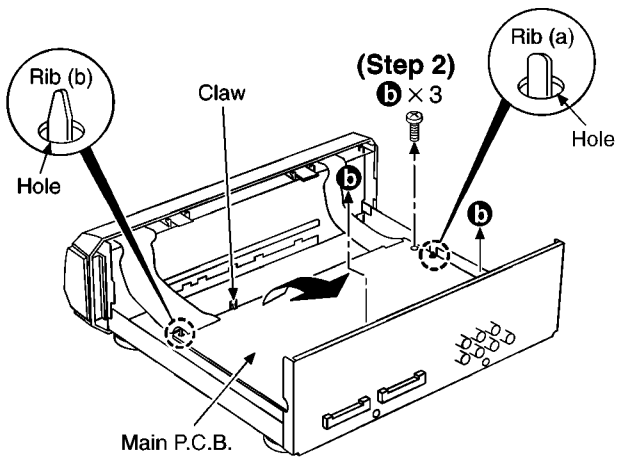
- Check the FL P.C.B. as shown below.



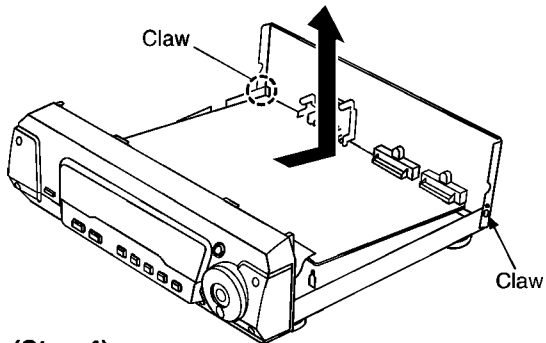
#### 3.2. Checking for the main P.C.B.

- Follow the **(Step 1)** - **(Step 3)** of item 3.1.



**(Step 3)**

Release the claw, and then lift up the main P.C.B..  
 (Lift up the main P.C.B. until the rib (a) and rib (b) are released from the hole of main P.C.B..)

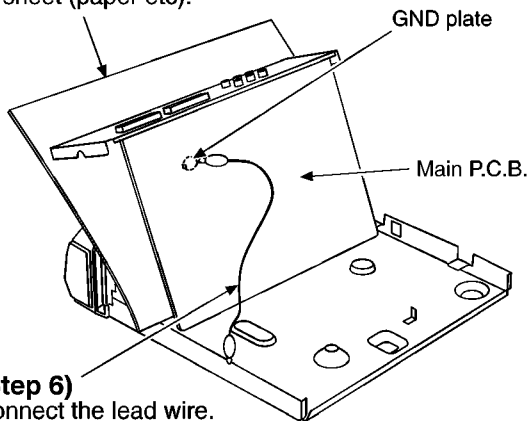
**(Step 4)**

Release the 2 claws, and then remove the main P.C.B. in the direction of arrow.

• Check the main P.C.B. as shown below.

**(Step 5)**

Insert the insulator sheet (paper etc).

**(Step 6)**

Connect the lead wire.

## 4 To Supply Power Source

This unit is designed to operate on power supplied from system connected.

When a component requires service, use the system connections to supply power source.

For system connections, refer to Fig. 4-1.

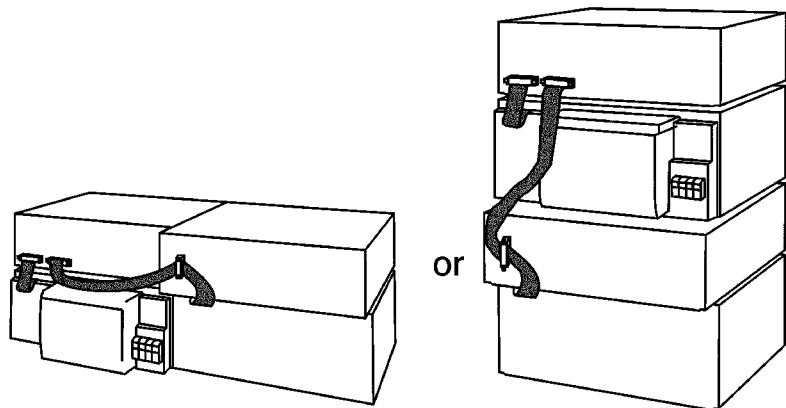


Fig. 4-1.

## 5 Schematic Diagram Notes

- This schematic diagram may be modified at any time with the development of new technology.

### Notes:

<b>S601:</b>	Display mode switch (DISPLAY MODE)
<b>S602:</b>	DOLBY PRO LOGIC switch ( PRO LOGIC, OFF/ON)
<b>S603:</b>	Super surround switch (SUPER SURROUND)
<b>S604:</b>	Center focus switch (CENTER FOCUS)
<b>S605:</b>	Virtual rear surround switch (VIRTUAL REAR SURROUND)
<b>S606:</b>	Multi rear surround switch (MULTI REAR SURROUND)
<b>S607:</b>	3D enhanced surround switch (3D ENHANCED SURROUND)
<b>S608:</b>	Joy stick switch ( ► )
<b>S609:</b>	Joy stick switch ( ▲ )
<b>S610:</b>	Joy stick switch ( ◀ )
<b>S611:</b>	Joy stick switch ( ▼ )
<b>S612:</b>	3D AI EQ, M.EQ BAND switch (3D AI EQ/M.EQ BAND)
<b>S613:</b>	Seat position switch (SEAT POSITION)
<b>S614:</b>	Joy control switch (MULTI JOG)

- Indicated voltage values are the standard values for the unit measured by the DC electronic circuit tester (high-impedance) with the chassis taken as standard. Therefore, there may exist some errors in the voltage values, depending on the internal impedance of the DC circuit tester.

No mark : Power on

- Important safety notice:

Components identified by  $\triangle$  mark have special characteristics important for safety.

Furthermore, special parts which have purposes of fire-retardant (resistors), high-quality sound (capacitors), low-

noise (resistors), etc. are used.

When replacing any of components, be sure to use only manufacturer's specified parts shown in the parts list.

- The supply part number is described alone in the replacement parts.

### • Caution!

IC and LSI are sensitive to static electricity.

Secondary trouble can be prevented by taking care during repair.

Cover the parts boxes made of plastics with aluminum foil.

Ground the soldering iron.

Put a conductive mat on the work table.

Do not touch the legs of IC or LSI with the fingers directly.

- Voltage and signal line

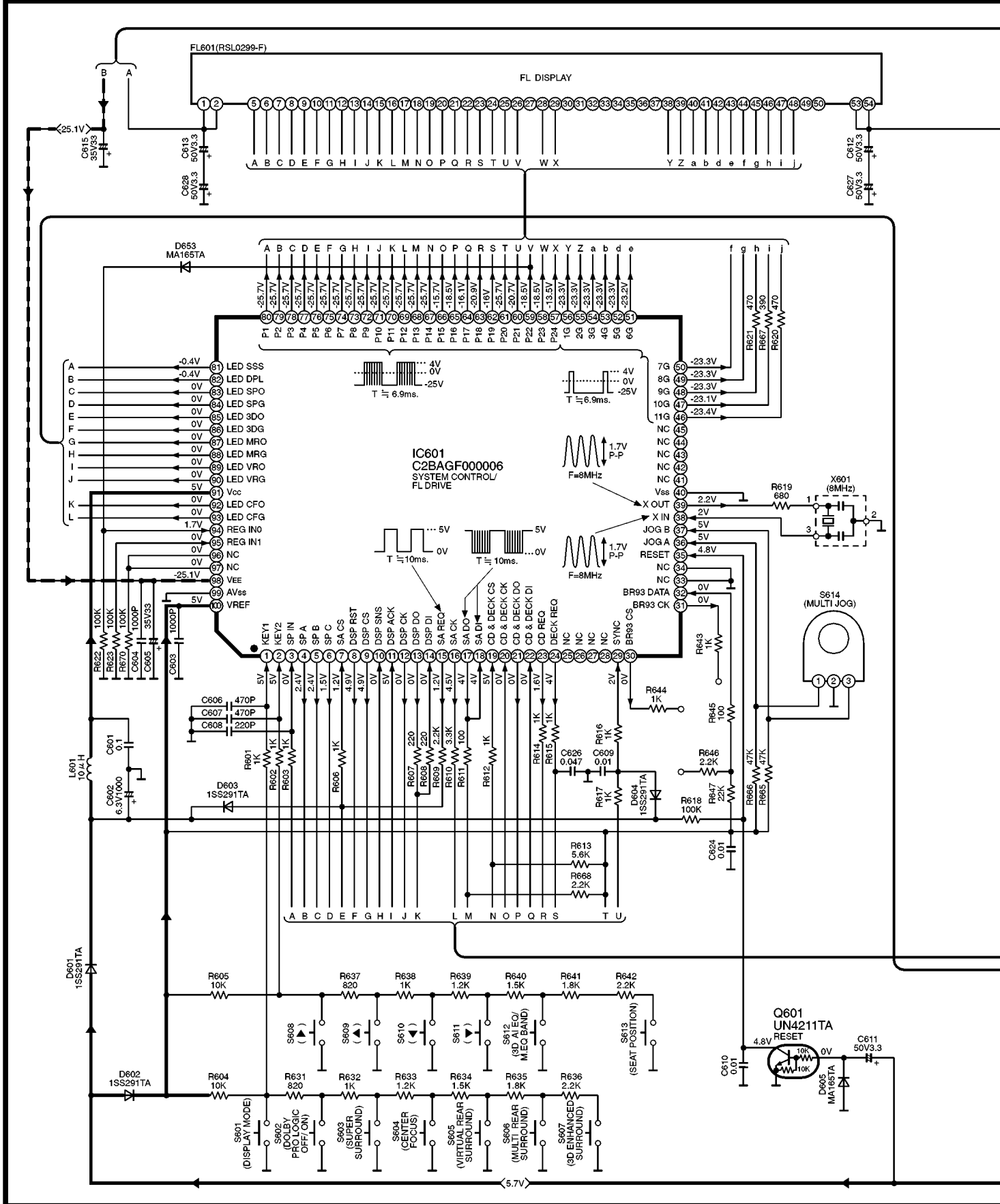
	: Positive voltage line
	: Negative voltage line
	: CD playback signal line
	: Surround sp. signal line

# 6 Schematic Diagram

## SCHEMATIC DIAGRAM-1 A FL CIRCUIT

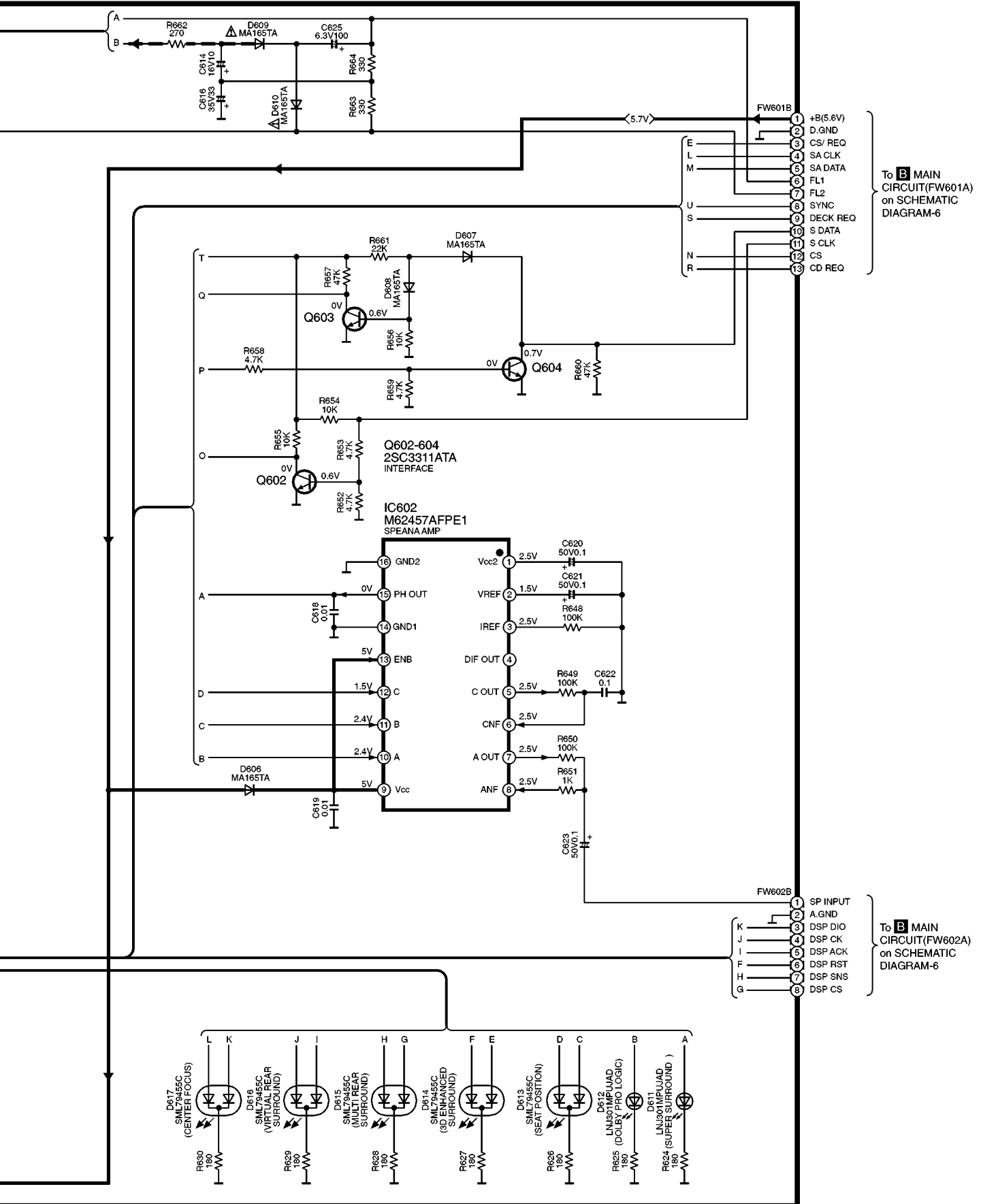
NOTE:  
The number which noted at the connectors on the schematic diagram as "SCHEMATIC DIAGRAM-1" or "SCHEMATIC DIAGRAM-2" indicates the schematic diagram serial number located on the left corner in the schematic diagram.

→ : POSITIVE VOLTAGE LINE  
- → : NEGATIVE VOLTAGE LINE



SCHEMATIC DIAGRAM-2

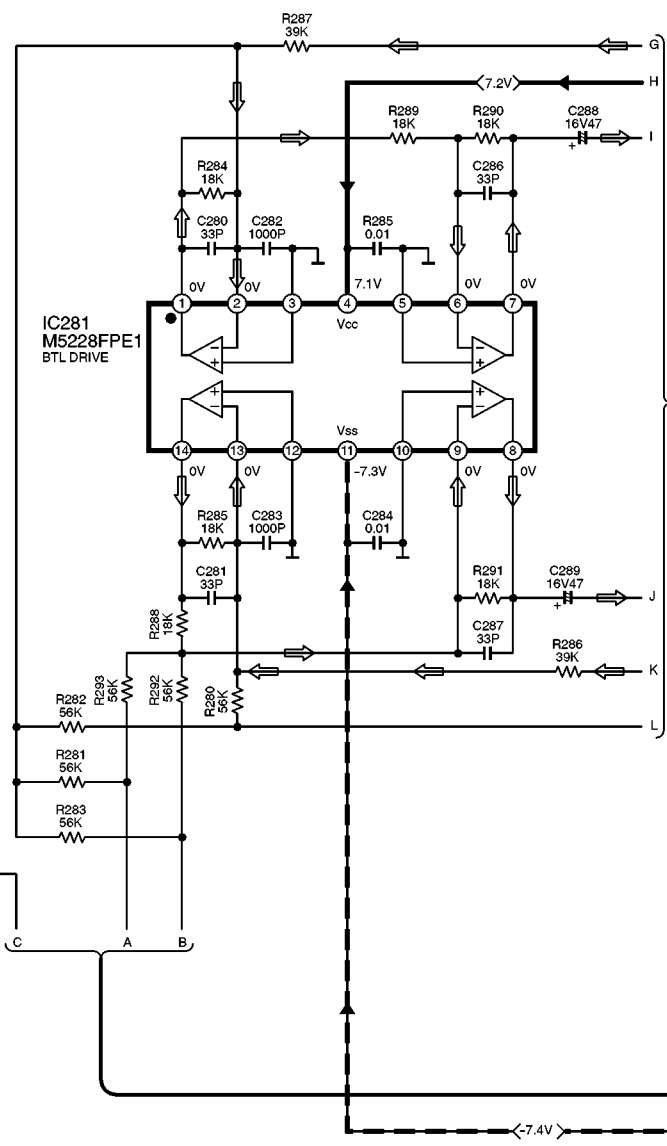
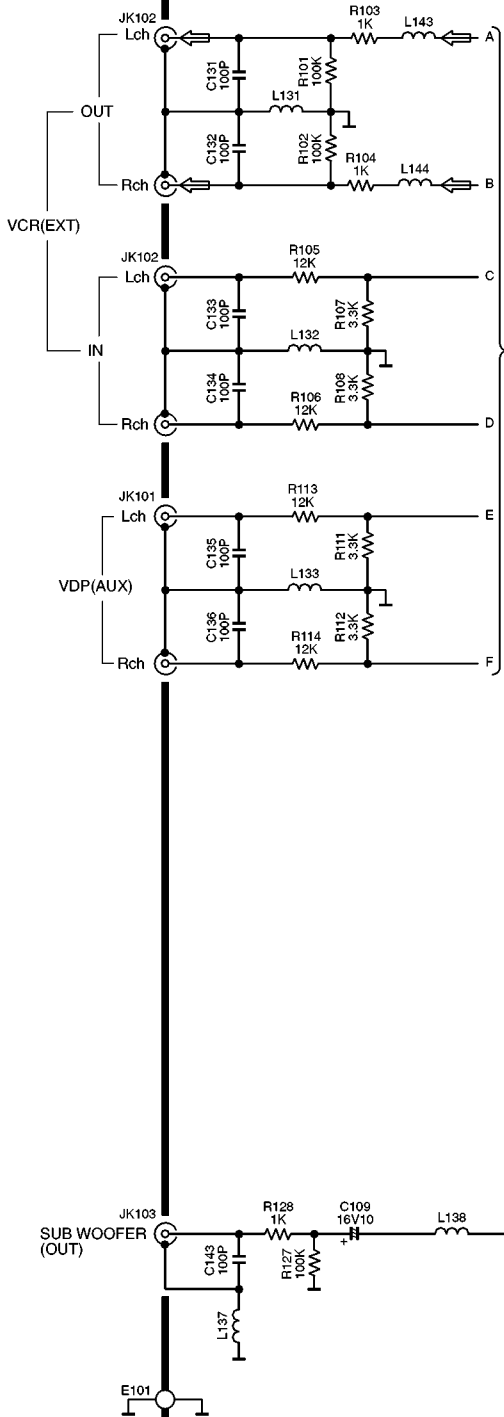
→ : POSITIVE VOLTAGE LINE    - - - - - : NEGATIVE VOLTAGE LINE



SCHEMATIC DIAGRAM-3

**B** MAIN CIRCUIT

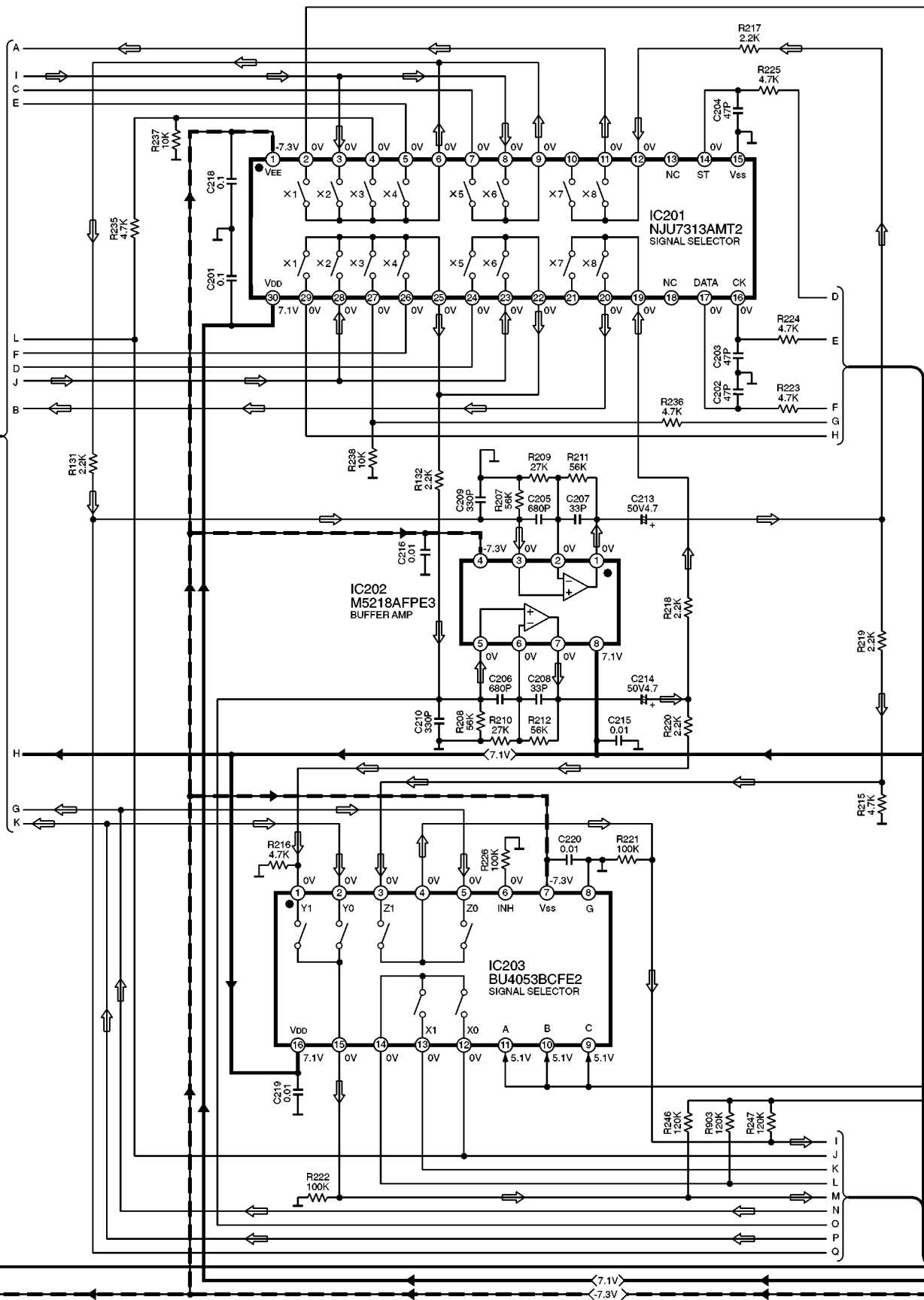
→ : POSITIVE VOLTAGE LINE  
- → : NEGATIVE VOLTAGE LINE    ⇨ : CD SIGNAL LINE





SCHEMATIC DIAGRAM-4

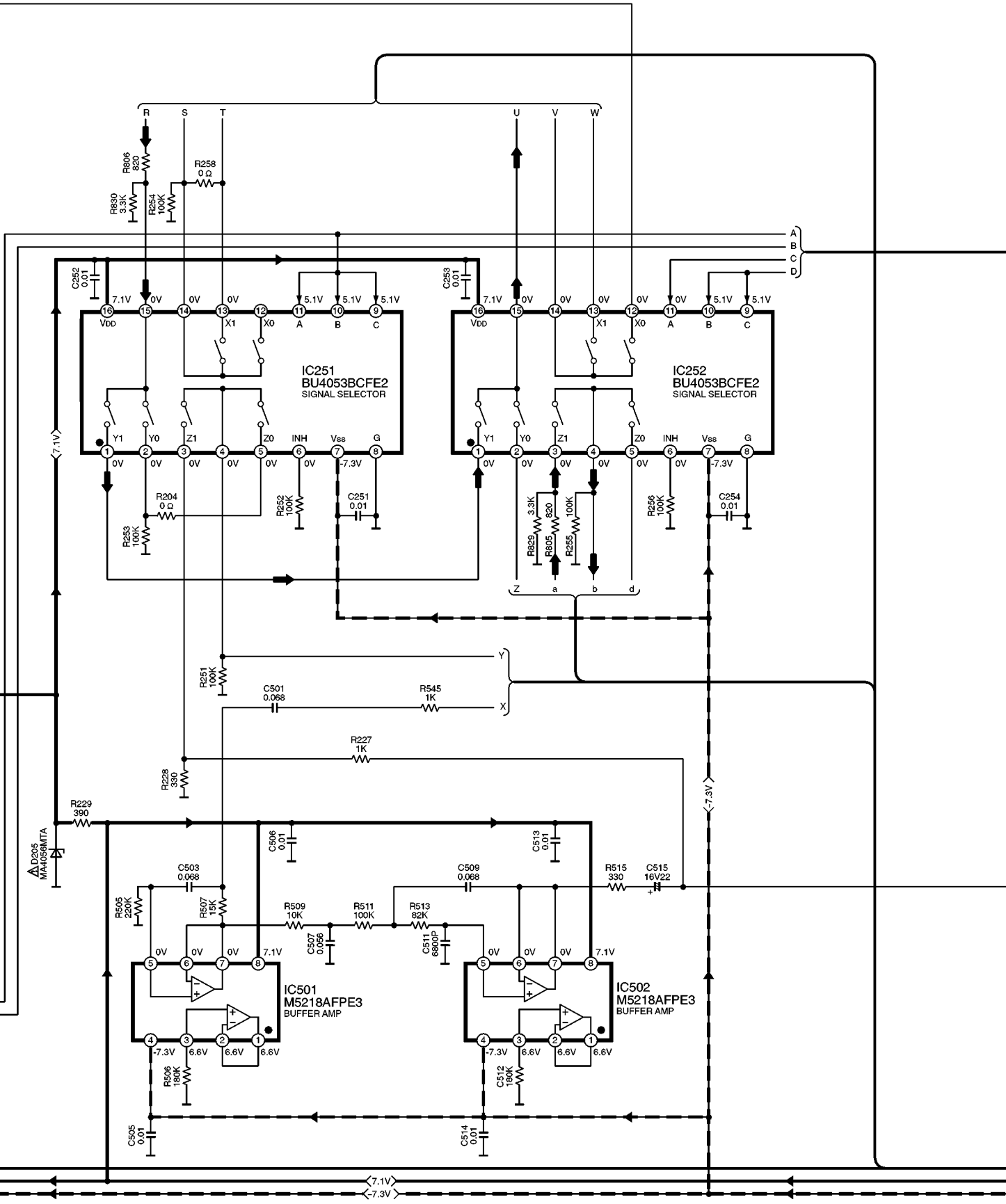
→ : POSITIVE VOLTAGE LINE    - - - - - : NEGATIVE VOLTAGE LINE    ⇨ : CD PLAYBACK SIGNAL LINE



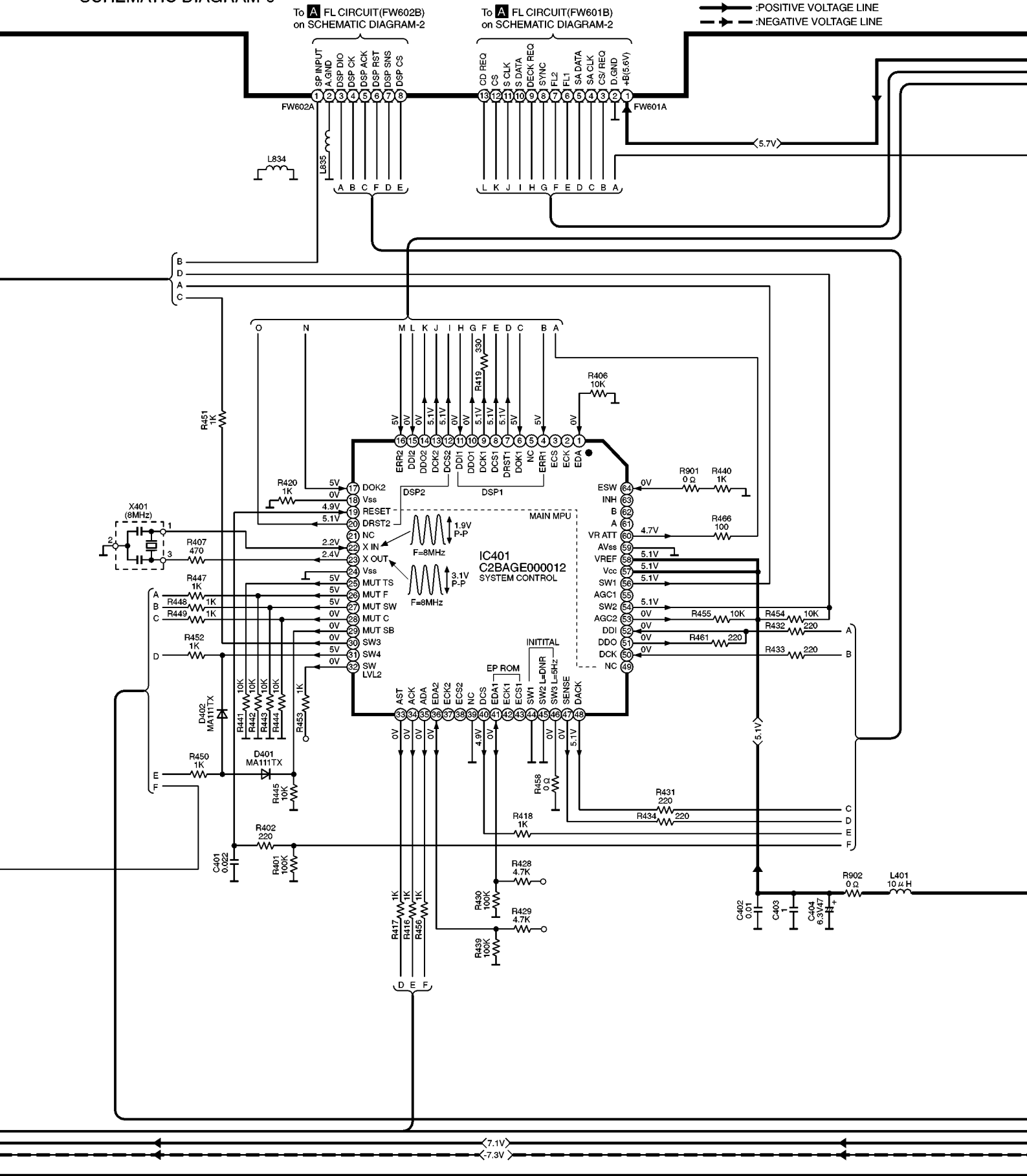
# SCHEMATIC DIAGRAM-5

## B MAIN CIRCUIT

→ : POSITIVE VOLTAGE LINE    - - - -> : NEGATIVE VOLTAGE LINE    → : SURROUND SP. SIGNAL LINE

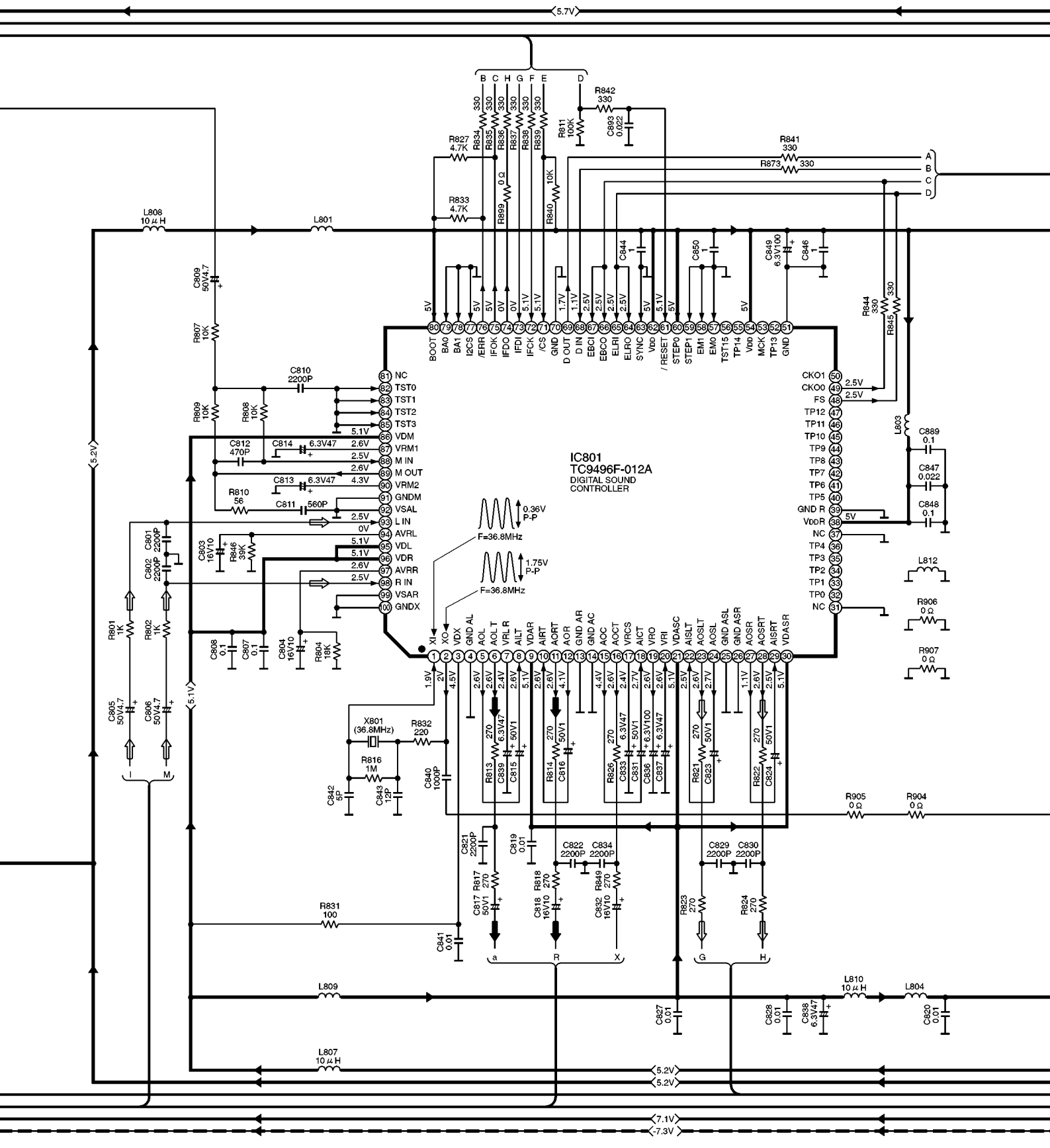


SCHEMATIC DIAGRAM-6



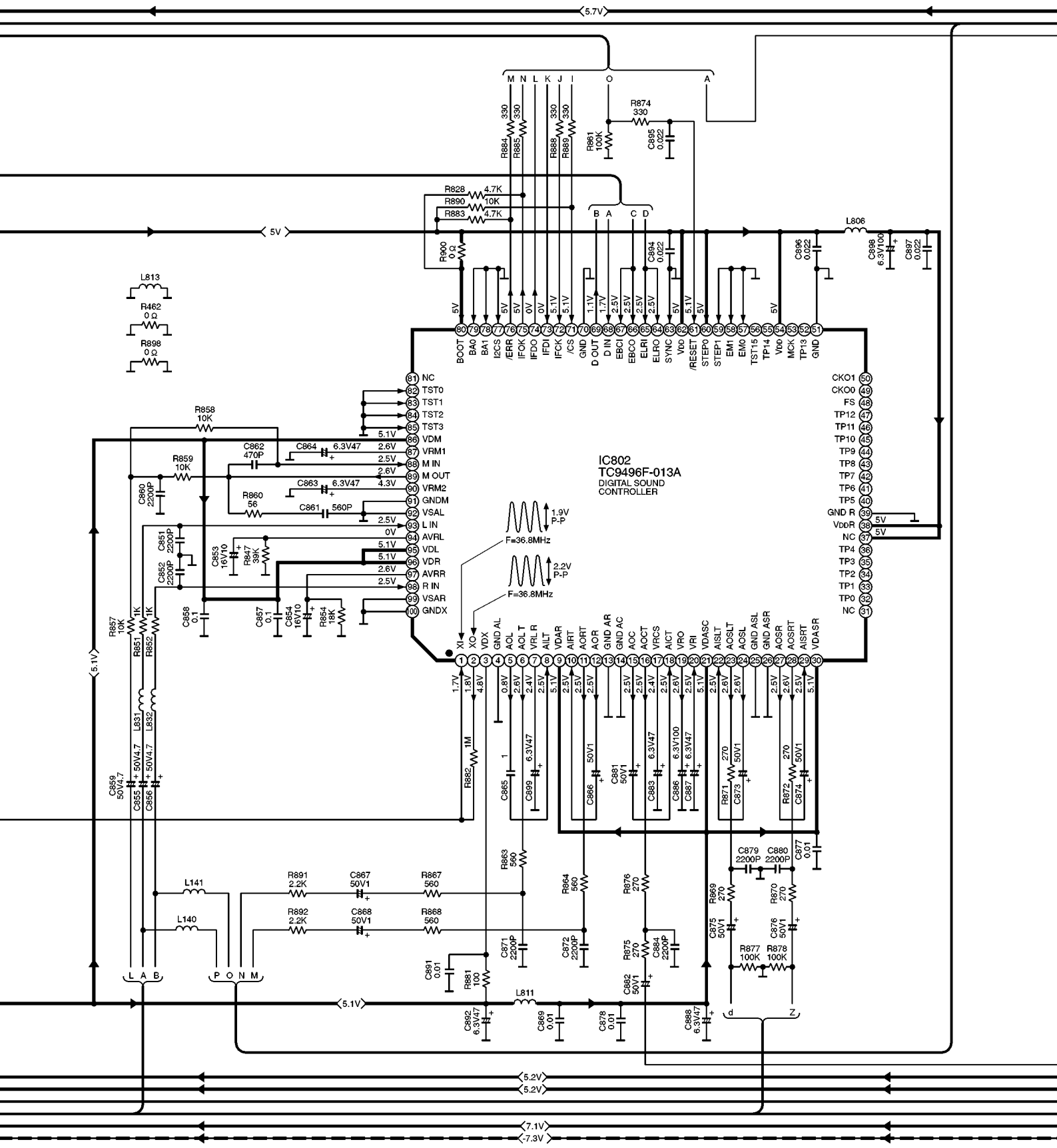
# SCHEMATIC DIAGRAM-7 B MAIN CIRCUIT

: POSITIVE VOLTAGE LINE  
 : NEGATIVE VOLTAGE LINE  
 : CD PLAYBACK SIGNAL LINE  
 : SURROUND SP. SIGNAL LINE



# SCHEMATIC DIAGRAM-8

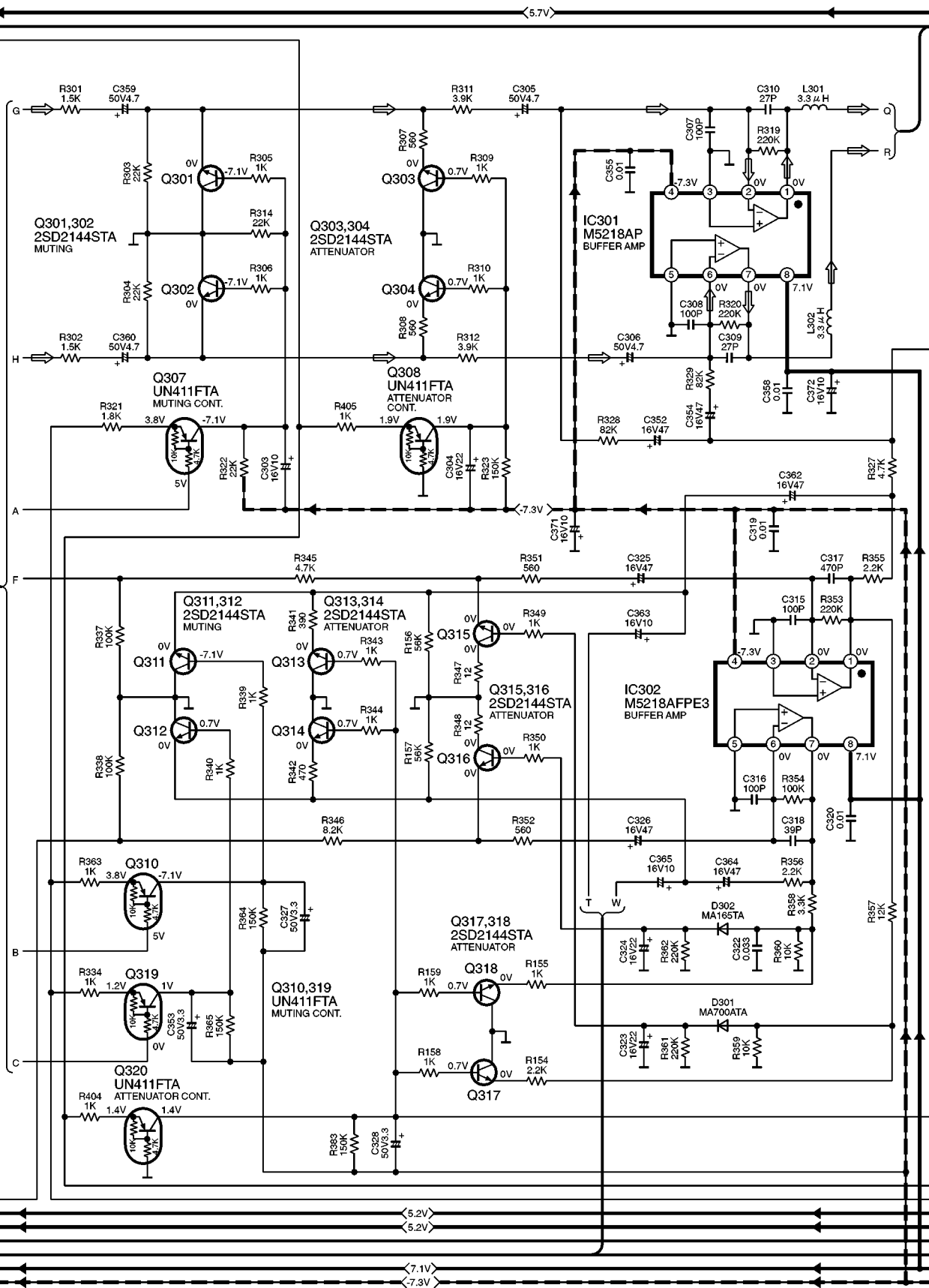
→ : POSITIVE VOLTAGE LINE    →- - : NEGATIVE VOLTAGE LINE    ⇨ : CD PLAYBACK SIGNAL LINE



SCHEMATIC DIAGRAM-9

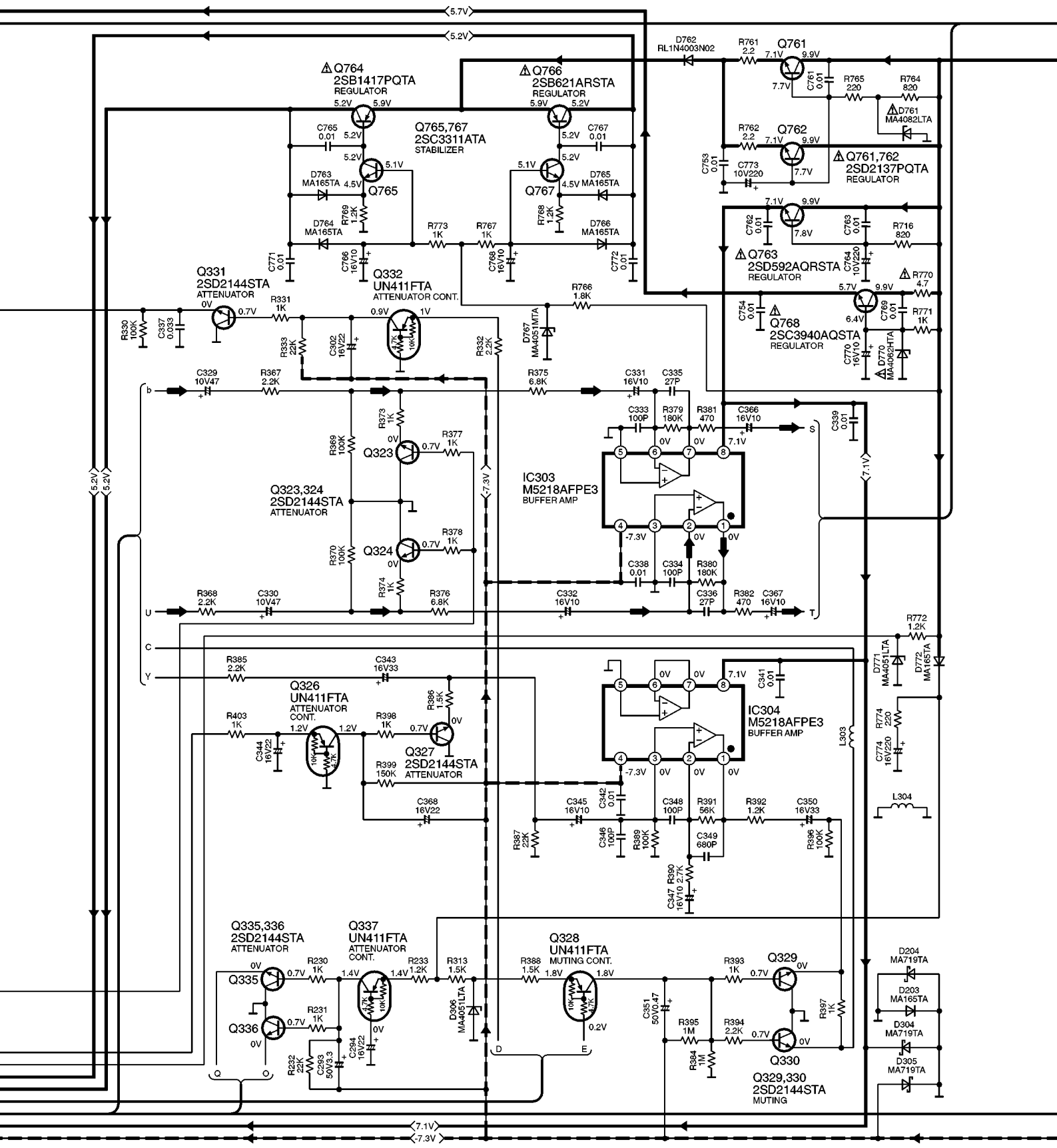
**B** MAIN CIRCUIT

→ : POSITIVE VOLTAGE LINE    - - - - - : NEGATIVE VOLTAGE LINE    ⇨ : CD PLAYBACK SIGNAL LINE



SCHEMATIC DIAGRAM-10

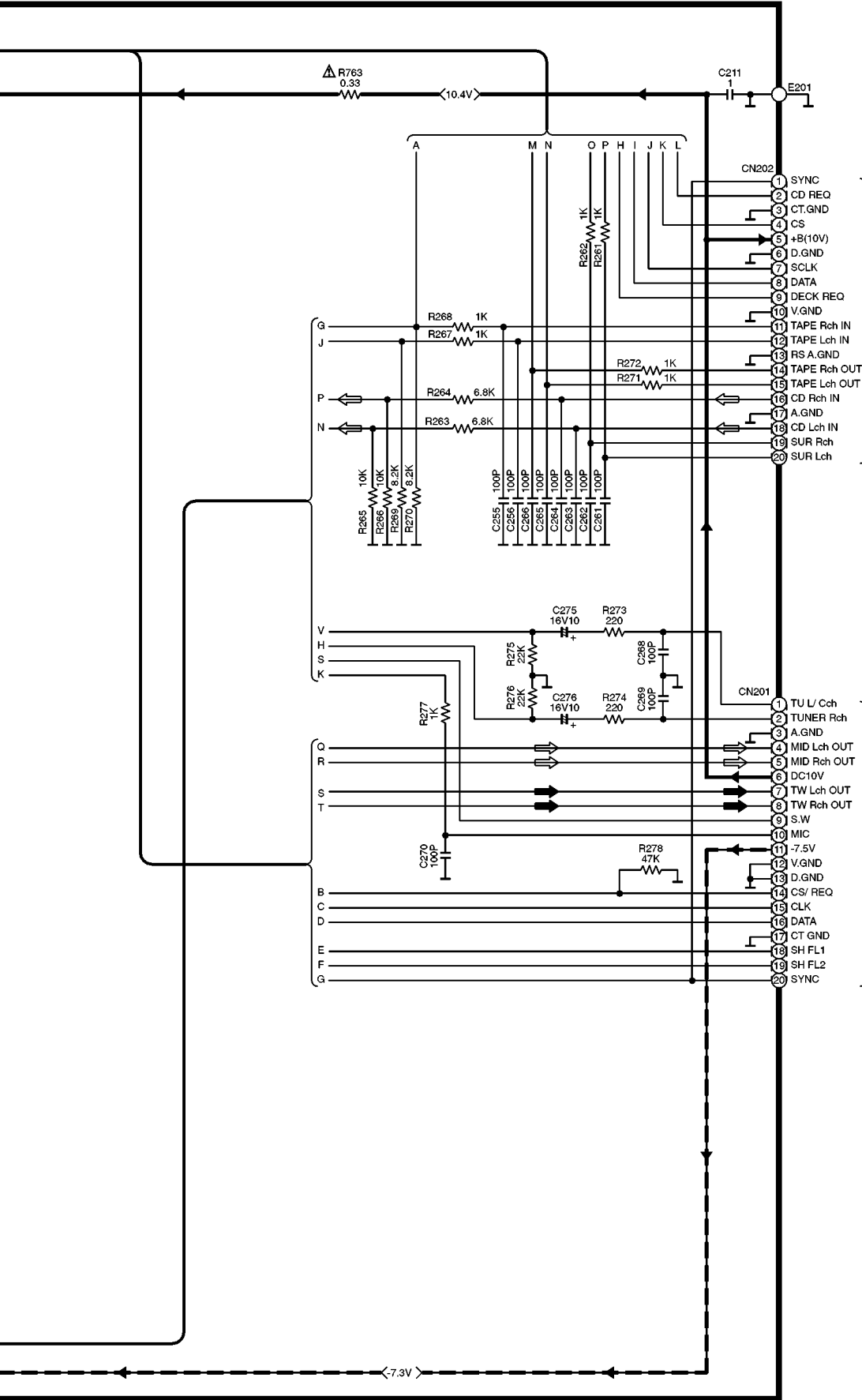
→ : POSITIVE VOLTAGE LINE    → - : NEGATIVE VOLTAGE LINE    → : SURROUND SP. SIGNAL LINE



SCHEMATIC DIAGRAM-11

**B** MAIN CIRCUIT

—▶— : POSITIVE VOLTAGE LINE    ◁▶ : CD PLAYBACK SIGNAL LINE  
-▶- : NEGATIVE VOLTAGE LINE    ▶ : SURROUND SP. SIGNAL LINE

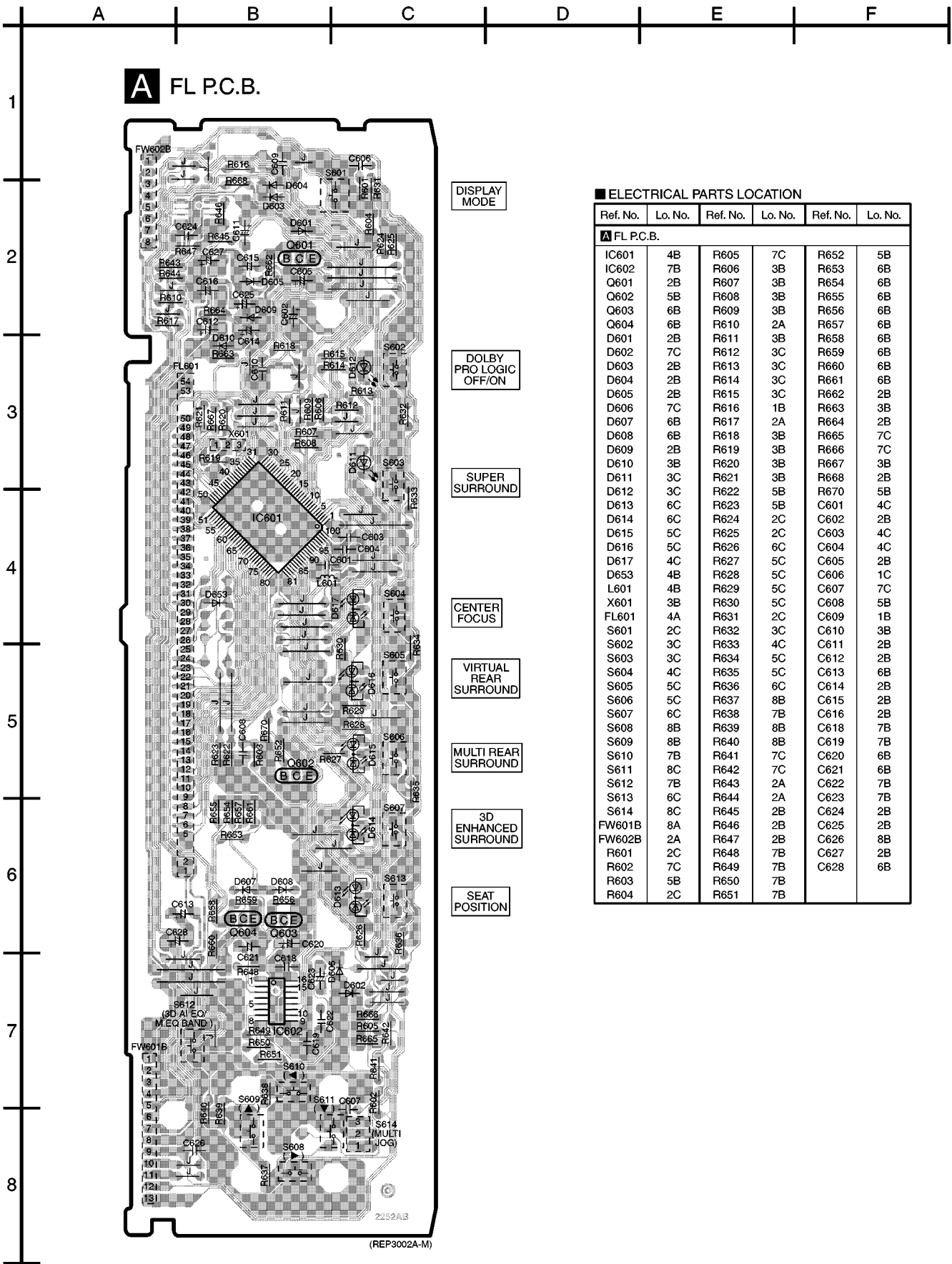


To MAIN CIRCUIT of DVD/ VIDEO CD/ CD CHANGER & MAIN CIRCUIT of CASSETTE DECK

To MAIN CIRCUIT of TUNER/ AMPLIFIER



# 7 Printed Circuit Board Diagram



■ ELECTRICAL PARTS LOCATION

Ref. No.	Lo. No.	Ref. No.	Lo. No.	Ref. No.	Lo. No.
<b>A FL P.C.B.</b>					
IC601	4B	R605	7C	R652	5B
IC602	7B	R606	3B	R653	6B
Q601	2B	R607	3B	R654	6B
Q602	5B	R608	3B	R655	6B
Q603	6B	R609	3B	R656	6B
Q604	6B	R610	2A	R657	6B
D601	2B	R611	3B	R658	6B
D602	7C	R612	3C	R659	6B
D603	2B	R613	3C	R660	6B
D604	2B	R614	3C	R661	6B
D605	2B	R615	3C	R662	2B
D606	7C	R616	1B	R663	3B
D607	6B	R617	2A	R664	2B
D608	6B	R618	3B	R665	7C
D609	2B	R619	3B	R666	7C
D610	3B	R620	3B	R667	3B
D611	3C	R621	3B	R668	2B
D612	3C	R622	5B	R670	5B
D613	6C	R623	5B	C601	4C
D614	6C	R624	2C	C602	2B
D615	5C	R625	2C	C603	4C
D616	5C	R626	6C	C604	4C
D617	4C	R627	5C	C605	2B
D653	4B	R628	5C	C606	1C
L601	4B	R629	5C	C607	7C
X601	3B	R630	5C	C608	5B
FL601	4A	R631	2C	C609	1B
S601	2C	R632	3C	C610	3B
S602	3C	R633	4C	C611	2B
S603	3C	R634	5C	C612	2B
S604	4C	R635	5C	C613	6B
S605	5C	R636	6C	C614	2B
S606	5C	R637	8B	C615	2B
S607	6C	R638	7B	C616	2B
S608	8B	R639	8B	C618	7B
S609	8B	R640	8B	C619	7B
S610	7B	R641	7C	C620	6B
S611	8C	R642	7C	C621	6B
S612	7B	R643	2A	C622	7B
S613	6C	R644	2A	C623	7B
S614	8C	R645	2B	C624	2B
FW601B	8A	R646	2B	C625	2B
FW602B	2A	R647	2B	C626	8B
R601	2C	R648	7B	C627	2B
R602	7C	R649	7B	C628	6B
R603	5B	R650	7B		
R604	2C	R651	7B		

A B C D E F

1

**B** MAIN P.C.B.

2

3

SUBWOOFER  
(OUT)

(IN)  
VCR (EXT)  
(OUT)

4

VDP(AUX)

5

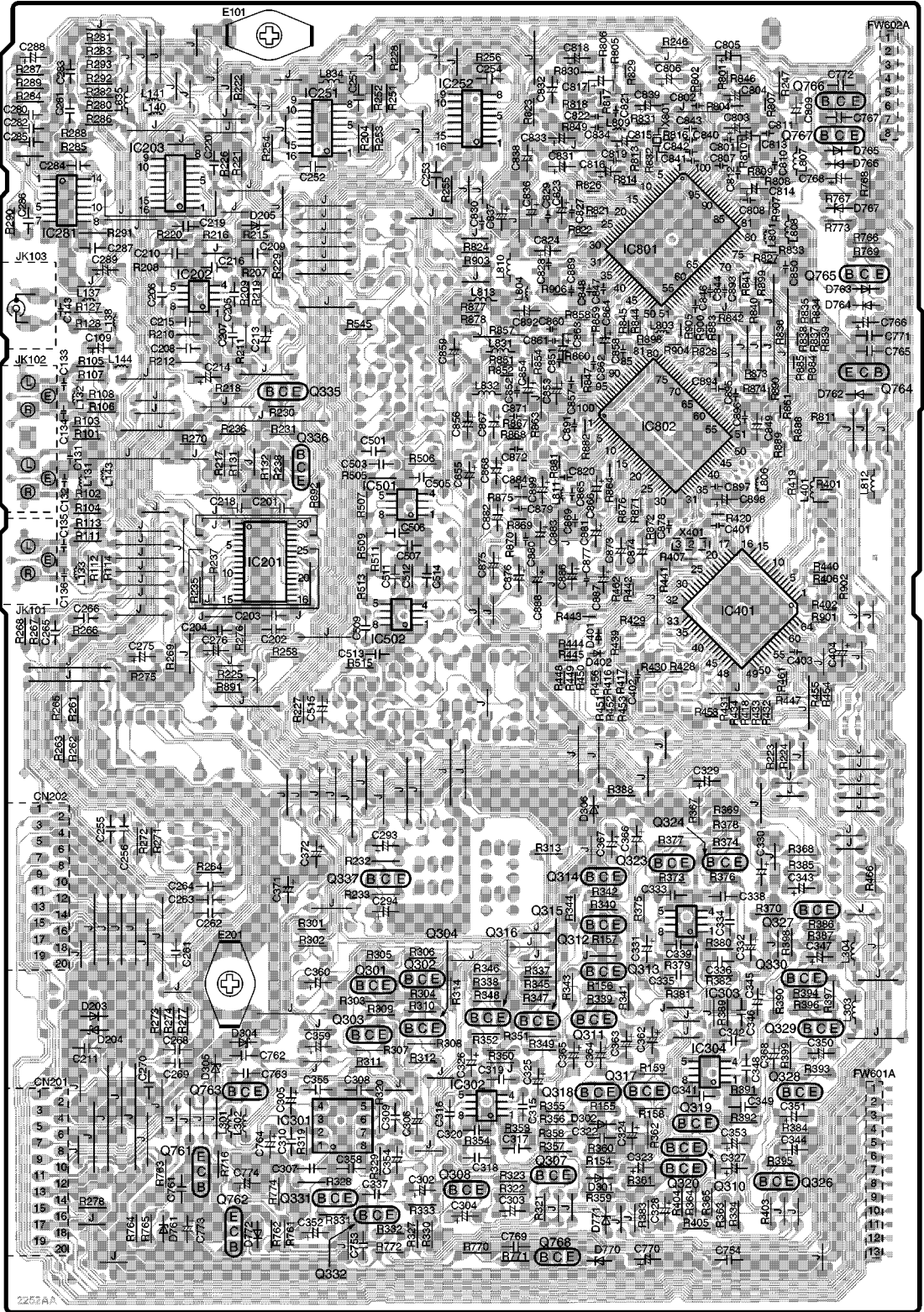
To DVD/VIDEO CD/  
CD CHANGER &  
CASSETTE  
DECK

6

7

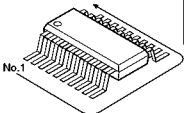
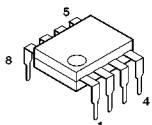
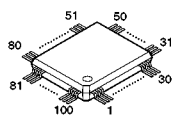
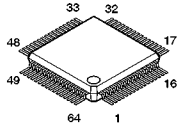
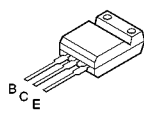
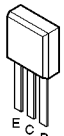
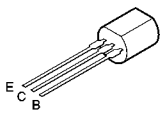
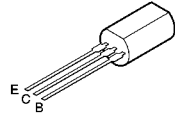
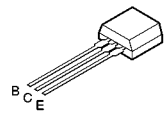
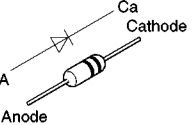
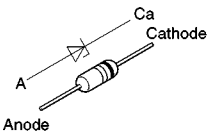
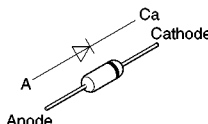
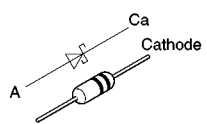
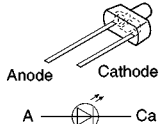
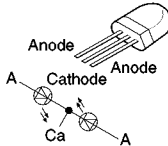
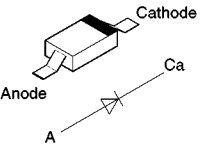
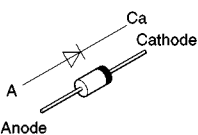
To TUNER/  
AMPLIFIER

8

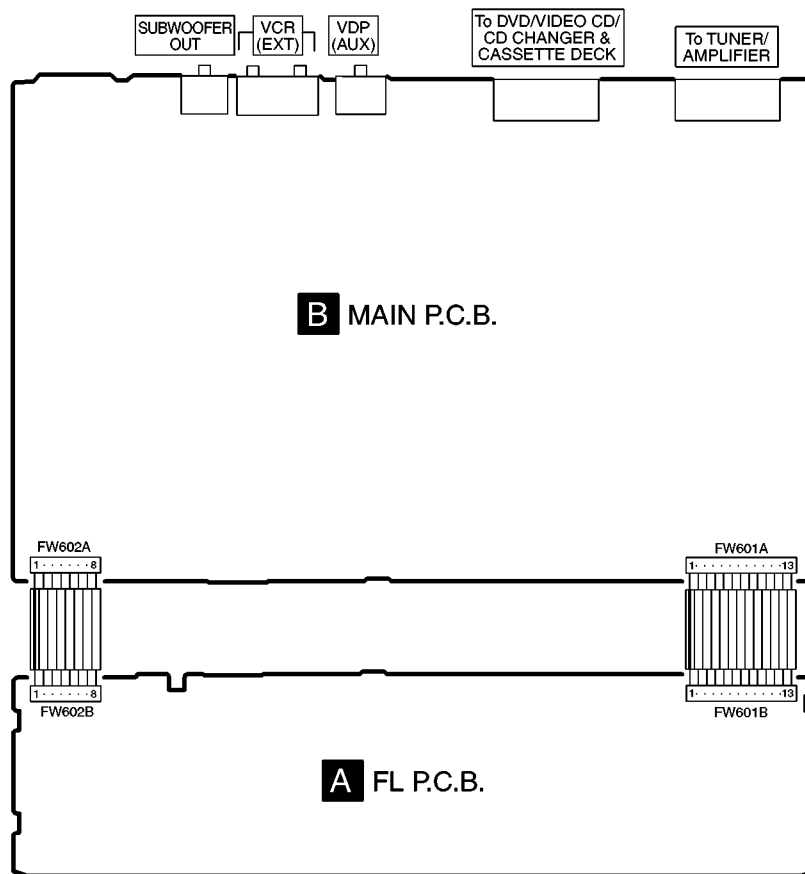




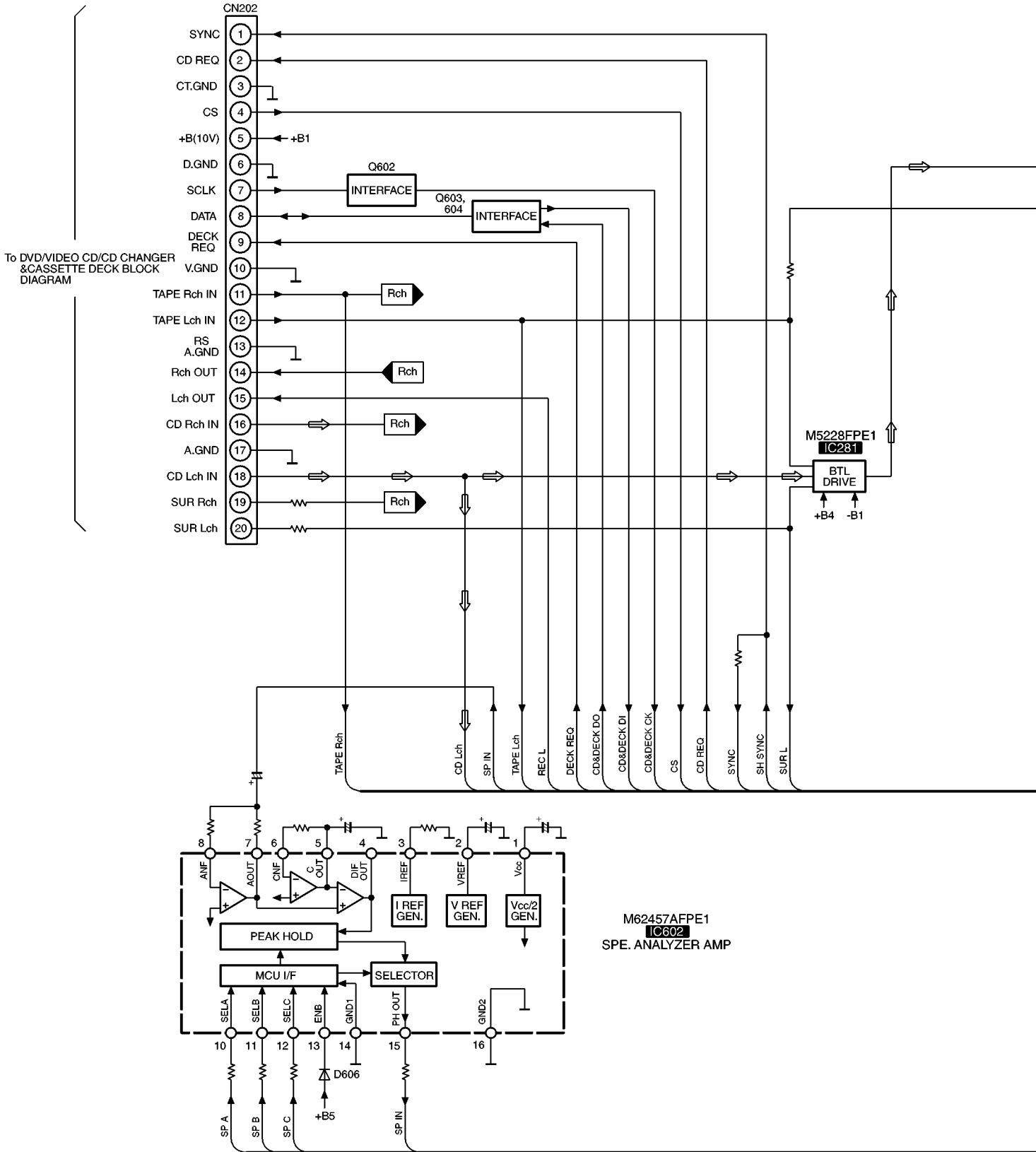
# 8 Type Illustration of ICs, Transistors and Diodes

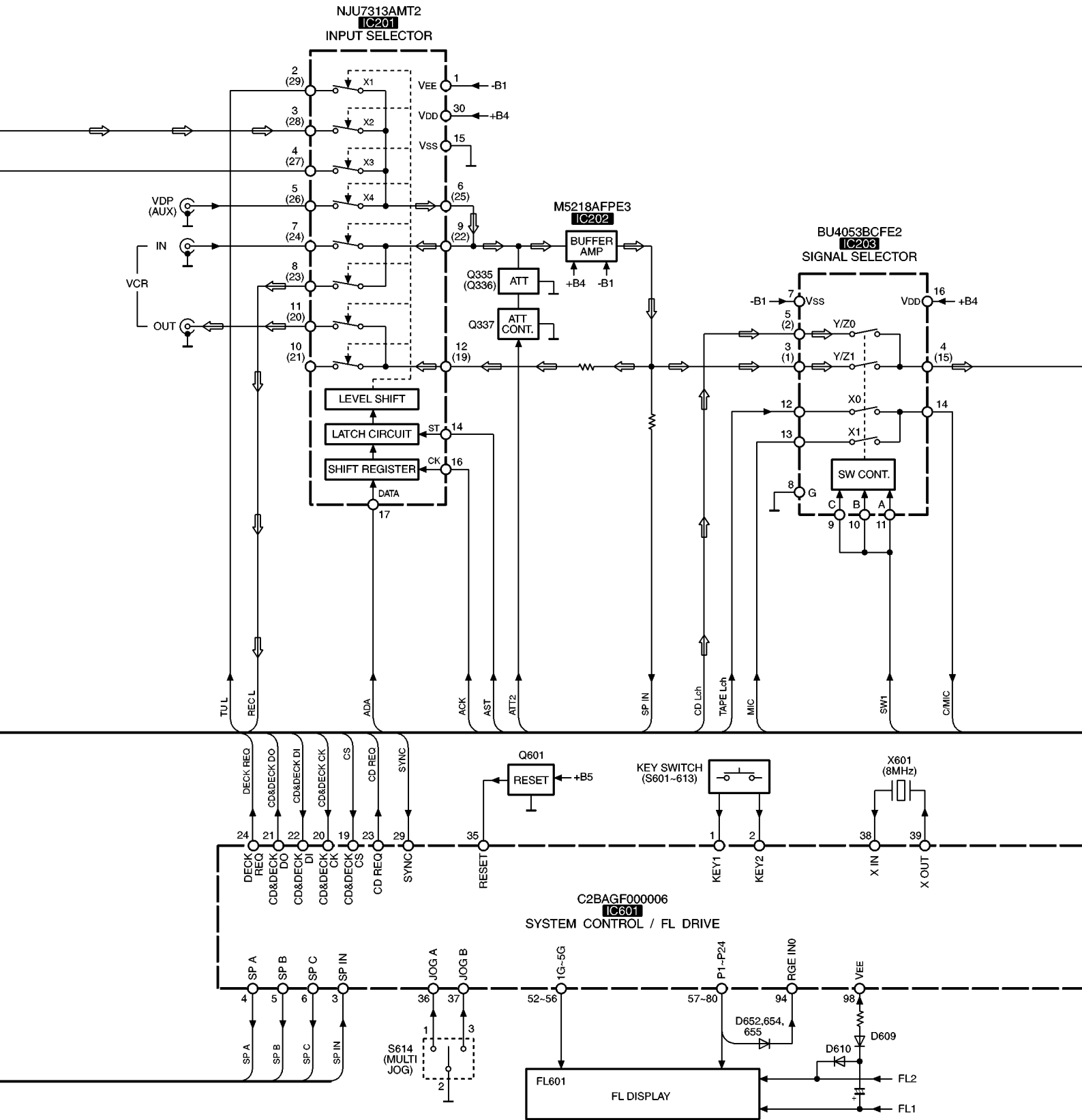
 <table border="1" data-bbox="279 235 502 369"> <tr><td>BU4053BCFE2</td><td>16PIN</td></tr> <tr><td>M5218AFPE3</td><td>8PIN</td></tr> <tr><td>M5228FPE1</td><td>16PIN</td></tr> <tr><td>M62457AFPE1</td><td>16PIN</td></tr> <tr><td>NJU7313AMT2</td><td>30PIN</td></tr> </table>	BU4053BCFE2	16PIN	M5218AFPE3	8PIN	M5228FPE1	16PIN	M62457AFPE1	16PIN	NJU7313AMT2	30PIN	<p>M5218AP</p> 	<p>C2BAGF000006 TC9496F-012A TC9496F-013A</p> 	<p>C2BAGE000012</p> 	<p>2SB1417PQTA 2SD2137PQTA</p> 
BU4053BCFE2	16PIN													
M5218AFPE3	8PIN													
M5228FPE1	16PIN													
M62457AFPE1	16PIN													
NJU7313AMT2	30PIN													
 <p>2SC3311ATA UN4211TA UN411FTA</p>	<p>2SB621ARSTA 2SD592AQRSTA</p> 	<p>2SC3940AQSTA</p> 	<p>2SD2144STA</p> 	<p>1SS291TA MA700ATA</p> 										
 <p>MA4051LTA MA4062HTA MA4082LTA MA4051MTA MA4056MTA</p>	<p>MA165TA</p> 	<p>MA719TA</p> 	<p>LNJ301MPUJAD</p> 	<p>SML79455C</p> 										
<p>MA111TX</p> 	<p>RL1N4003N02</p> 													

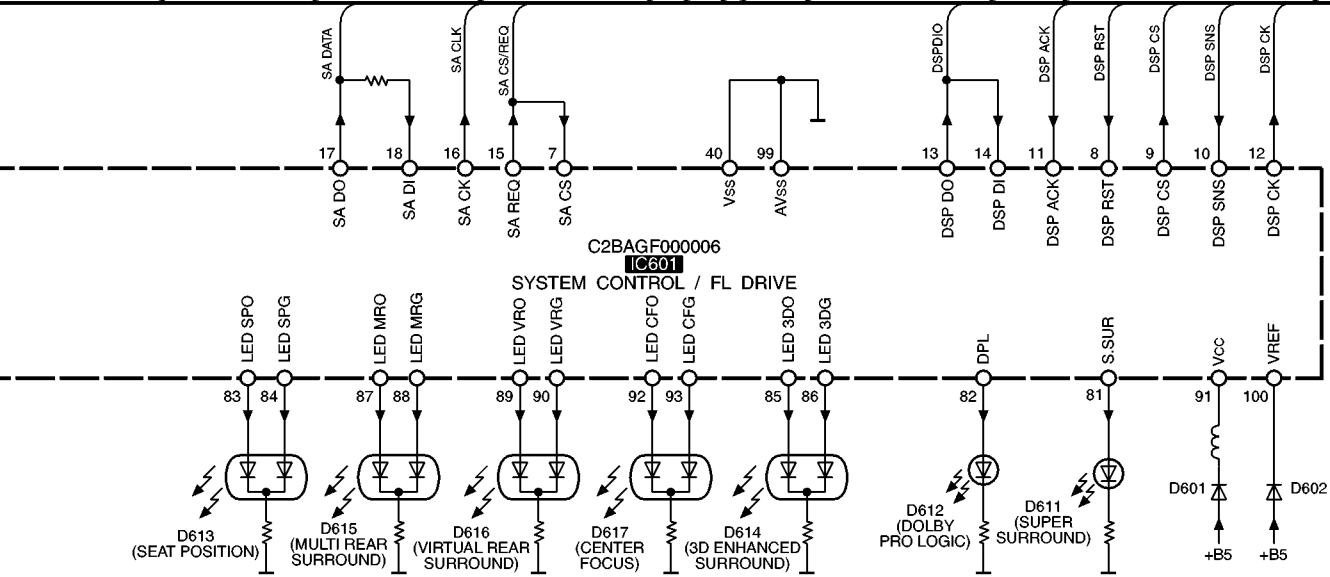
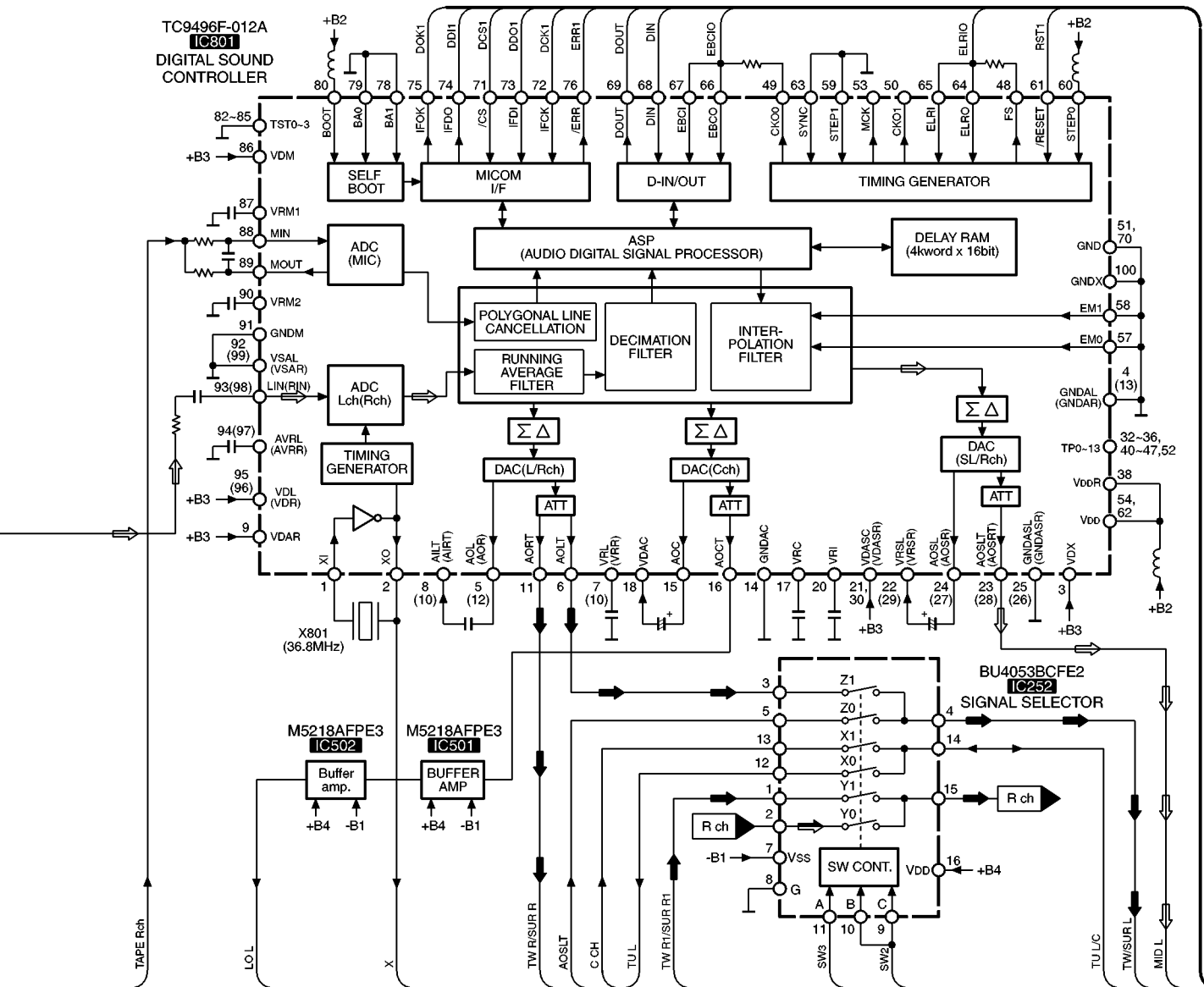
## 9 Wiring Connection Diagram



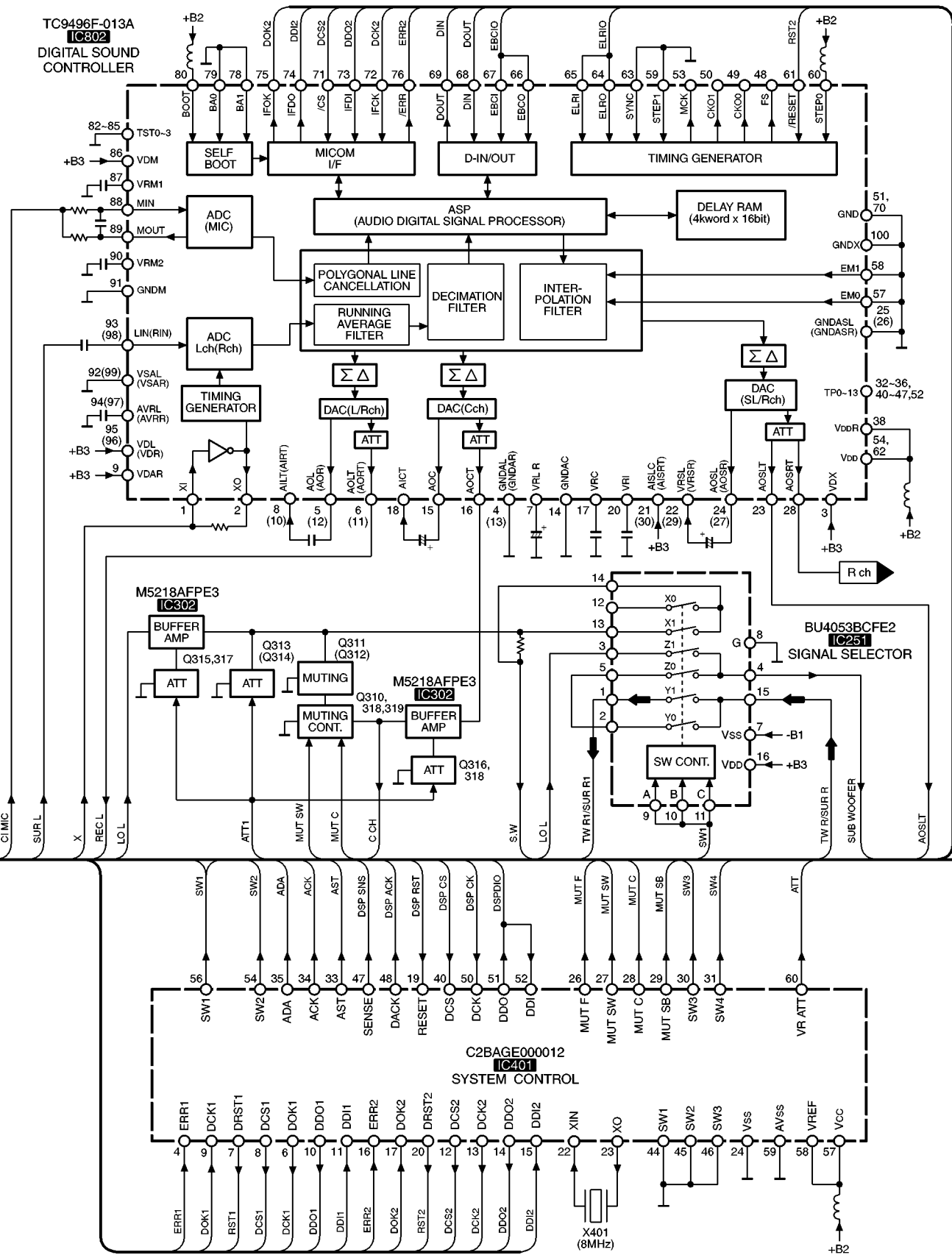
# 10 Block Diagram

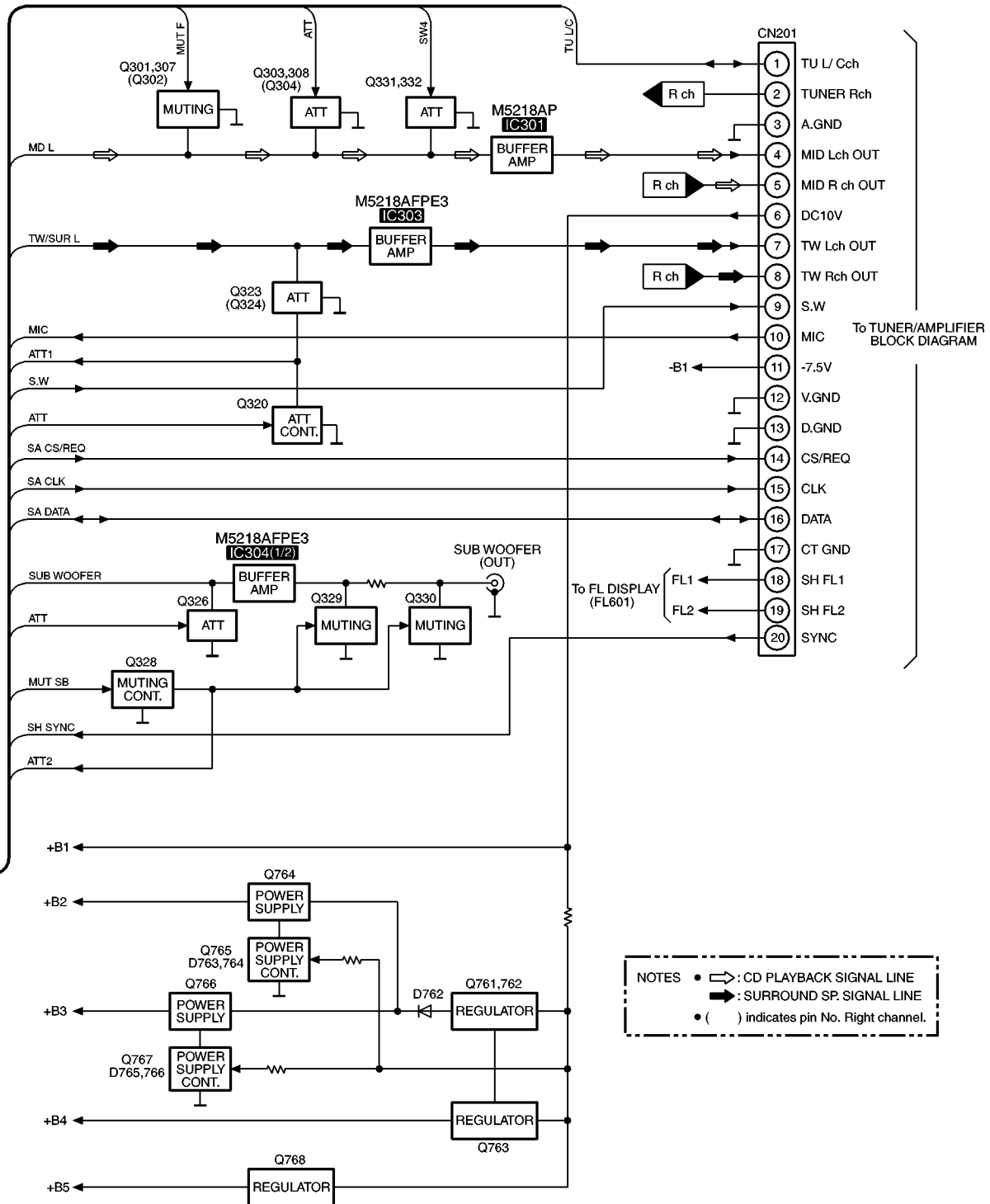












# 11 Terminal Function of ICs

## 11.1. IC601 (C2BAGF000006): System Control/FL Drive

Pin No.	Terminal Name	I/O	Function
1	KEY1	I	Operation key signal input
2	KEY2	I	Operation key signal input
3	SP IN	I	A/D signal input from IC602
4	SP A	O	Band select signal output for IC602
5	SP B	O	Band select signal output for IC602
6	SP C	O	Band select signal output for IC602
7	SA CS	I	Chip select signal input
8	DSP RST	O	Reset signal output for IC401
9	DSP CS	O	Chip select signal output for IC401
10	DSP SNS	I	Sense signal input from IC401
11	DSP ACK	I	Acknowledge signal input from IC401
12	DSP CK	O	Clock signal output for IC401
13	DSP DO	O	Data signal output for IC401
14	DSP DI	I	Data signal input from IC401
15	SA REQ	O	Request signal output for Tuner/Amplifier
16	SA CK	O	Serial communication signal to Tuner/Amplifier (Clock signal output)
17	SA DO	O	Serial communication signal to Tuner/Amplifier (Data signal output)
18	SA DI	I	Serial communication signal to Tuner/Amplifier (Data signal input)
19	CD&DECK CS	I	Chip select signal input (DVD and Deck mechanism)
20	CD&DECK CK	I	Clock signal input (DVD and Deck mechanism)
21	CD&DECK DO	O	Data signal output (DVD and Deck mechanism)
22	CD&DECK DI	I	Data signal input (DVD and Deck mechanism)
23	CD REQ	O	Serial data request signal output for DVD
24	DECK REQ	O	Serial data request signal output for Deck mechanism
25   28	NC	-	Not used, open
29	SYNC	I	Power failure detect signal input
30	BR93 CS	O	Chip select signal output for EEPROM
31	BR93 CK	O	Clock signal output for EEPROM
32	BR93 DATA	I	Data signal input from EEPROM
33 34	NC	-	Not used, connected to GND
35	RESET	I	System reset signal input
36	JOG A	I	JOG A signal input
37	JOG B	I	JOG B signal input
38	X IN	I	Ceramic oscillator connected (f=8 MHz)
39	X OUT	O	
40	V <sub>SS</sub>	-	GND terminal
41   45	NC	-	Not used, open
46   56	11G   1G	O	Grid signal output
57   80	P24   P1	O	Segment signal output
81	LED SSS	O	LED (SUPER SURROUND) signal output
82	LED DPL	O	LED (DOLBY PRO LOGIC) signal output
83	LED SPO	O	ORANGE LED (SEAT POSITION) signal output
84	LED SPG	O	GREEN LED (SEAT POSITION) signal output

Pin No.	Terminal Name	I/O	Function
85	LED 3DO	O	ORANGE LED (3D ENHANCED SURROUND) signal output
86	LED 3DG	O	GREEN LED (3D ENHANCED SURROUND) signal output
87	LED MRO	O	ORANGE LED (MULTI REAR SURROUND) signal output
88	LED MRG	O	GREEN LED (MULTI REAR SURROUND) signal output
89	LED VRO	O	ORANGE LED (VIRTUAL REAR SURROUND) signal output
90	LED VRG	O	GREEN LED (VIRTUAL REAR SURROUND) signal output
91	V <sub>CC</sub>	I	Power supply terminal
92	LED CFO	O	ORANGE LED (CENTER FOCUS) signal output
93	LED CFG	O	GREEN LED (CENTER FOCUS) signal output
94	REG IN0	I	Destination select signal input
95	REG IN1	I	
96	NC	-	Not used, connected to GND
97			
98	V <sub>EE</sub>	I	Power supply terminal
99	AV <sub>SS</sub>	-	GND terminal
100	VREF	I	Reference voltage input

# 12 Replacement Parts List

## Notes:

- Important safety notice:

Components identified by  $\Delta$  mark have special characteristics important for safety.

Furthermore, special parts which have purposes of fire-retardant (resistors), high-quality sound (capacitors), low-noise (resistors), etc. are used.

When replacing any of components, be sure to use only manufacturer's specified parts shown in the parts list.

- The marking [RTL] indicates that Retention Time is Limited for this item. After the discontinuation of this assembly in production, the item will continue to be available for a specific period of time. The retention period of availability is dependent on the type of assembly, and in accordance with the laws governing part and product retention. After the end of this period, the assembly will no longer be available.

- All parts are supplied by MESA.

Ref. No.	Part No.	Part Name & Description	Pcs	Remarks
1	RKM0400-1S	TOP CABINET	1	
2	RHD30007-S	SCREW	4	
3	XTB3+8JFZ	SCREW	11	
4	RKA0105-K	RUBBER	4	
5	RKA0106-N	FOOT RING	4	
6	RYP0947B-S	FRONT PANEL ASS'Y	1	
6-1	RGB0025-A	TECHNICS BADGE	1	
6-2	RKW0576A-1V	FL WINDOW	1	
C109	ECA1CAK100XB	16V 10U	1	
C131-36	ECUV1H101KCN	50V 100P	6	
C143	ECUV1H101KCN	50V 100P	1	
C201	ECBT1H104KB5	50V 0.1U	1	
C202-04	ECBT1H470J5	50V 47P	3	
C205,06	ECBALH681KB5	50V 680P	2	
C207,08	ECBT1H330J5	50V 33P	2	
C209,10	ECBT1H331KB5	50V 330P	2	
C211	ECBT1C105ZP5	16V 1U	1	
C213,14	RCE1HKA4R7BG	50V 4.7U	2	
C215,16	ECBT1C103MS5	16V 0.01U	2	
C218	ECBT1H104KB5	50V 0.1U	1	
C219,20	ECBT1C103MS5	16V 0.01U	2	
C251-54	ECBT1C103MS5	16V 0.01U	4	
C255,56	ECBT1H101KB5	50V 100P	2	
C261-66	ECBT1H101KB5	50V 100P	6	
C268-70	ECBT1H101KB5	50V 100P	3	
C275,76	ECA1CAK100XB	16V 10U	2	
C280,81	ECBT1H330J5	50V 33P	2	
C282,83	ECBT1H102KB5	50V 1000P	2	
C284,85	ECBT1C103MS5	16V 0.01U	2	
C286,87	ECBT1H330J5	50V 33P	2	
C288,89	RCE1CKA470BG	16V 47U	2	
C293	RCE1HKA3R3BG	50V 3.3U	1	
C294	ECA1CAK220XB	16V 22U	1	
C302	ECA1CAK220XB	16V 22U	1	
C303	ECA1CAK100XB	16V 10U	1	
C304	ECA1CAK220XB	16V 22U	1	
C305,06	RCE1HKA4R7BG	50V 4.7U	2	
C307,08	ECBT1H101KB5	50V 100P	2	
C309,10	ECBT1H270J5	50V 27P	2	
C315,16	ECBT1H101KB5	50V 100P	2	
C317	ECBT1H471KB5	50V 470P	1	
C318	ECBT1H390J5	50V 39P	1	
C319,20	ECBT1C103MS5	16V 0.01U	2	
C322	ECBT1H333KB5	50V 0.033U	1	
C323,24	ECA1CAK220XB	16V 22U	2	
C325,26	RCE1CKA470BG	16V 47U	2	

Ref. No.	Part No.	Part Name & Description	Pcs	Remarks
C327,28	RCE1HKA3R3BG	50V 3.3U	2	
C329,30	RCE1AKA470BG	10V 47U	2	
C331,32	ECA1CAK100XB	16V 10U	2	
C333,34	ECBT1H101KB5	50V 100P	2	
C335,36	ECBT1H270J5	50V 27P	2	
C337	ECBT1H333KB5	50V 0.033U	1	
C338,39	ECBT1C103MS5	16V 0.01U	2	
C341,42	ECBT1C103MS5	16V 0.01U	2	
C343	ECA1CAK330XB	16V 33U	1	
C344	ECA1CAK220XB	16V 22U	1	
C345	ECA1CAK100XB	16V 10U	1	
C346	ECBT1H101KB5	50V 100P	1	
C347	ECA1CAK100XB	16V 10U	1	
C348	ECBT1H101KB5	50V 100P	1	
C349	ECBALH681KB5	50V 680P	1	
C350	ECA1CAK330XB	16V 33U	1	
C351	RCE1HKAR47BG	50V 0.47U	1	
C352	RCE1CKA470BG	16V 47U	1	
C353	RCE1HKA3R3BG	50V 3.3U	1	
C354	RCE1CKA470BG	16V 47U	1	
C355	ECBT1C103MS5	16V 0.01U	1	
C358	ECBT1C103MS5	16V 0.01U	1	
C359,60	RCE1HKA4R7BG	50V 4.7U	2	
C362	RCE1CKA470BG	16V 47U	1	
C363	ECA1CAK100XB	16V 10U	1	
C364	RCE1CKA470BG	16V 47U	1	
C365-67	ECA1CAK100XB	16V 10U	3	
C368	ECA1CAK220XB	16V 22U	1	
C371,72	ECA1CAK100XB	16V 10U	2	
C401	ECUV1E223KBN	25V 0.022U	1	
C402	ECUV1H103KBN	50V 0.01U	1	
C403	ECUVNA105KBN	10V 1U	1	
C404	ECA0JAK470XH	6.3V 47U	1	
C501	ECBT1H683KB5	50V 0.068U	1	
C503	ECBT1H683KB5	50V 0.068U	1	
C505,06	ECBT1C103MS5	16V 0.01U	2	
C507	ECBT1H563KB5	50V 0.056U	1	
C509	ECBT1H683KB5	50V 0.068U	1	
C511	ECBT1C682KR5	16V 6800P	1	
C512	ERDS2FJ184	1/4W 180K	1	
C513,14	ECBT1C103MS5	16V 0.01U	2	
C515	ECA1CAK220XB	16V 22U	1	
C601	ECBT1H104KB5	50V 0.1U	1	
C602	ECA0JM102	6.3V 1000U	1	
C603,04	ECBT1H102KB5	50V 1000P	2	
C605	ECA1VAK330XB	35V 33U	1	
C606,07	ECBT1H471KB5	50V 470P	2	
C608	ECBT1H221KB5	50V 220P	1	
C609,10	ECBT1C103MS5	16V 0.01U	2	
C611-13	ECEALEKS3R3	50V 3.3U	3	
C614	ECA1CAK100XB	16V 10U	1	
C615	ECA1VAK330XB	35V 33U	1	
C616	ECEALVKS330Q	35V 33U	1	
C618,19	ECBT1C103MS5	16V 0.01U	2	
C620,21	ECA1HAK0R1XB	50V 0.1U	2	
C622	ECBT1H104KB5	50V 0.1U	1	
C623	ECA1HAK0R1XB	50V 0.1U	1	
C624	ECBT1C103MS5	16V 0.01U	1	
C625	ECA0JAK101XB	6.3V 100U	1	
C626	ECBT1H473KB5	50V 0.047U	1	
C627,28	ECEALEKS3R3	50V 3.3U	2	
C753,54	ECBT1C103MS5	16V 0.01U	2	
C761-63	ECBT1C103MS5	16V 0.01U	3	
C764	ECA1AAK221XH	10V 220U	1	
C765	ECBT1C103MS5	16V 0.01U	1	
C766	ECA1CAK100XB	16V 10U	1	
C767	ECBT1C103MS5	16V 0.01U	1	
C768	ECA1CAK100XB	16V 10U	1	
C769	ECBT1C103MS5	16V 0.01U	1	
C770	ECA1CAK100XB	16V 10U	1	
C771,72	ECBT1C103MS5	16V 0.01U	2	

Ref. No.	Part No.	Part Name & Description	Pcs	Remarks
C773	ECA1AAK221XH	10V 220U	1	
C774	ECA1CAM221XB	16V 220U	1	
C801,02	ECUV1H222KBN	50V 2200P	2	
C803,04	ECA1CAK100XB	16V 10U	2	
C805,06	RCE1HKA4R7BG	50V 4.7U	2	
C807,08	ECUVNE104KBN	25V 0.1U	2	
C809	RCE1HKA4R7BG	50V 4.7U	1	
C810	ECUV1H222KBN	50V 2200P	1	
C811	ECUV1H561KBN	50V 560P	1	
C812	ECUV1H471KBN	50V 470P	1	
C813,14	ECA0JAK470XH	6.3V 47U	2	
C815-17	ECA1HAK010XI	50V 1U	3	
C818	ECA1CAK100XB	16V 10U	1	
C819,20	ECUV1H103KBN	50V 0.01U	2	
C821,22	ECUV1H222KBN	50V 2200P	2	
C823,24	ECA1HAK010XI	50V 1U	2	
C827,28	ECUV1H103KBN	50V 0.01U	2	
C829,30	ECUV1H222KBN	50V 2200P	2	
C831	ECA1HAK010XI	50V 1U	1	
C832	ECA1CAK100XB	16V 10U	1	
C833	ECA0JAK470XH	6.3V 47U	1	
C834	ECUV1H222KBN	50V 2200P	1	
C836	EEAFC0J101B	6.3V 100U	1	
C837-39	ECA0JAK470XH	6.3V 47U	3	
C840	ECUV1H102KBN	50V 1000P	1	
C841	ECUV1H103KBN	50V 0.01U	1	
C842	ECUV1H050DCN	50V 5P	1	
C843	ECUV1H120JCN	50V 12P	1	
C844	ECUVNA105KBN	10V 1U	1	
C846	ECUVNA105KBN	10V 1U	1	
C847	ECUV1E223KBN	25V 0.022U	1	
C848	ECUVNE104KBN	25V 0.1U	1	
C849	EEAFC0J101B	6.3V 100U	1	
C850	ECUVNA105KBN	10V 1U	1	
C851,52	ECUV1H222KBN	50V 2200P	2	
C853,54	ECA1CAK100XB	16V 10U	2	
C855,56	RCE1HKA4R7BG	50V 4.7U	2	
C857,58	ECUVNE104KBN	25V 0.1U	2	
C859	RCE1HKA4R7BG	50V 4.7U	1	
C860	ECUV1H222KBN	50V 2200P	1	
C861	ECUV1H561KBN	50V 560P	1	
C862	ECUV1H471KBN	50V 470P	1	
C863,64	ECA0JAK470XH	6.3V 47U	2	
C865	ECUVNA105KBN	10V 1U	1	
C866-68	ECA1HAK010XI	50V 1U	3	
C869	ECUV1H103KBN	50V 0.01U	1	
C871,72	ECUV1H222KBN	50V 2200P	2	
C873-76	ECA1HAK010XI	50V 1U	4	
C877,78	ECUV1H103KBN	50V 0.01U	2	
C879,80	ECUV1H222KBN	50V 2200P	2	
C881,82	ECA1HAK010XI	50V 1U	2	
C883	ECA0JAK470XH	6.3V 47U	1	
C884	ECUV1H222KBN	50V 2200P	1	
C886	EEAFC0J101B	6.3V 100U	1	
C887,88	ECA0JAK470XH	6.3V 47U	2	
C889	ECUVNE104KBN	25V 0.1U	1	
C891	ECUV1H103KBN	50V 0.01U	1	
C892	ECA0JAK470XH	6.3V 47U	1	
C893-97	ECUV1E223KBN	25V 0.022U	5	
C898	EEAFC0J101B	6.3V 100U	1	
C899	ECA0JAK470XH	6.3V 47U	1	
CN201	RJT065A20	SYSTEM CONNECTOR (20P)	1	
CN202	RJT065K20	SYSTEM CONNECTOR (20P)	1	
D203	MA165	DIODE	1	
D204	MA719TA	DIODE	1	
D205	MA4056M	DIODE	1	△
D301	MA700	DIODE	1	
D302	MA165	DIODE	1	
D304,05	MA719TA	DIODE	2	
D306	MA4051-L	DIODE	1	
D401,02	MA111TX	DIODE	2	
D601-04	1SS291TA	DIODE	4	

Ref. No.	Part No.	Part Name & Description	Pcs	Remarks
D605-10	MA165	DIODE	6	△
D611,12	LNJ301MPUJAD	LED	2	
D613-17	SML79455C	LED	5	
D653	MA165	DIODE	1	
D761	MA4082LTA	DIODE	1	△
D762	RLLN4003N02	DIODE	1	
D763-66	MA165	DIODE	4	
D767	MA4051M	DIODE	1	
D770	MA4062H	DIODE	1	△
D771	MA4051-L	DIODE	1	
D772	MA165	DIODE	1	
FL601	RSL0299-F	FL	1	
IC201	NJU7313AMT2	IC	1	
IC202	M5218AFPE3	IC	1	
IC203	BU4053BCFE2	IC	1	
IC251,52	BU4053BCFE2	IC	2	
IC281	M5228FPE1	IC	1	
IC301	M5218AP	IC	1	
IC302-04	M5218AFPE3	IC	3	
IC401	C2BAGE000012	IC	1	
IC501,02	M5218AFPE3	IC	2	
IC601	C2BAGF000006	IC	1	
IC602	M62457AFPE1	IC	1	
IC801	TC9496F-012A	IC	1	
IC802	TC9496F-013A	IC	1	
JK101	SJF3068-7N	JACK,VDP	1	
JK102	SJF3069-5N	JACK,VCR (EXT)	1	
JK103	SJFD7	JACK,SUB WOOFER	1	
L131-33	RLBN102V-Y	COIL	3	
L137,38	J0JBC0000023	COIL	2	
L140,41	J0JBC0000023	COIL	2	
L143,44	J0JBC0000023	COIL	2	
L301,02	RLQA3R3JT1-Y	COIL	2	
L303,04	BL02RN2R65T2	COIL	2	
L401	RLQB100JTD-D	COIL	1	
L601	RLQA100JT1-Y	COIL	1	
L801	RLBN102V-Y	COIL	1	
L803,04	RLBN102V-Y	COIL	2	
L806	RLBN102V-Y	COIL	1	
L807,08	RLQB100JTD-D	COIL	2	
L809	RLBN102V-Y	COIL	1	
L810	RLQB100JTD-D	COIL	1	
L811	RLBN102V-Y	COIL	1	
L812,13	RLS500050T-Y	COIL	2	
L831,32	RLS500050T-Y	COIL	2	
L834,35	RLS500050T-Y	COIL	2	
PCB1	REP3002A-M	MAIN P.C.B.	1	[RTL]
Q301-04	2SC3327A	TRANSISTOR	4	
Q307,08	UN411FTA	TRANSISTOR	2	
Q310	UN411FTA	TRANSISTOR	1	
Q311-18	2SC3327A	TRANSISTOR	8	
Q319,20	UN411FTA	TRANSISTOR	2	
Q323,24	2SC3327A	TRANSISTOR	2	
Q326	UN411FTA	TRANSISTOR	1	
Q327	2SC3327A	TRANSISTOR	1	
Q328	UN411FTA	TRANSISTOR	1	
Q329-31	2SC3327A	TRANSISTOR	3	
Q332	UN411FTA	TRANSISTOR	1	
Q335,36	2SC3327A	TRANSISTOR	2	
Q337	UN411FTA	TRANSISTOR	1	
Q601	UN4211	TRANSISTOR	1	
Q602-04	2SC3311ATA	TRANSISTOR	3	
Q761,62	2SD2137PQTA	TRANSISTOR	2	△
Q763	2SD592AR	TRANSISTOR	1	△
Q764	2SB1417PQTA	TRANSISTOR	1	△
Q765	2SC3311ATA	TRANSISTOR	1	
Q766	2SB621A-R	TRANSISTOR	1	△
Q767	2SC3311ATA	TRANSISTOR	1	

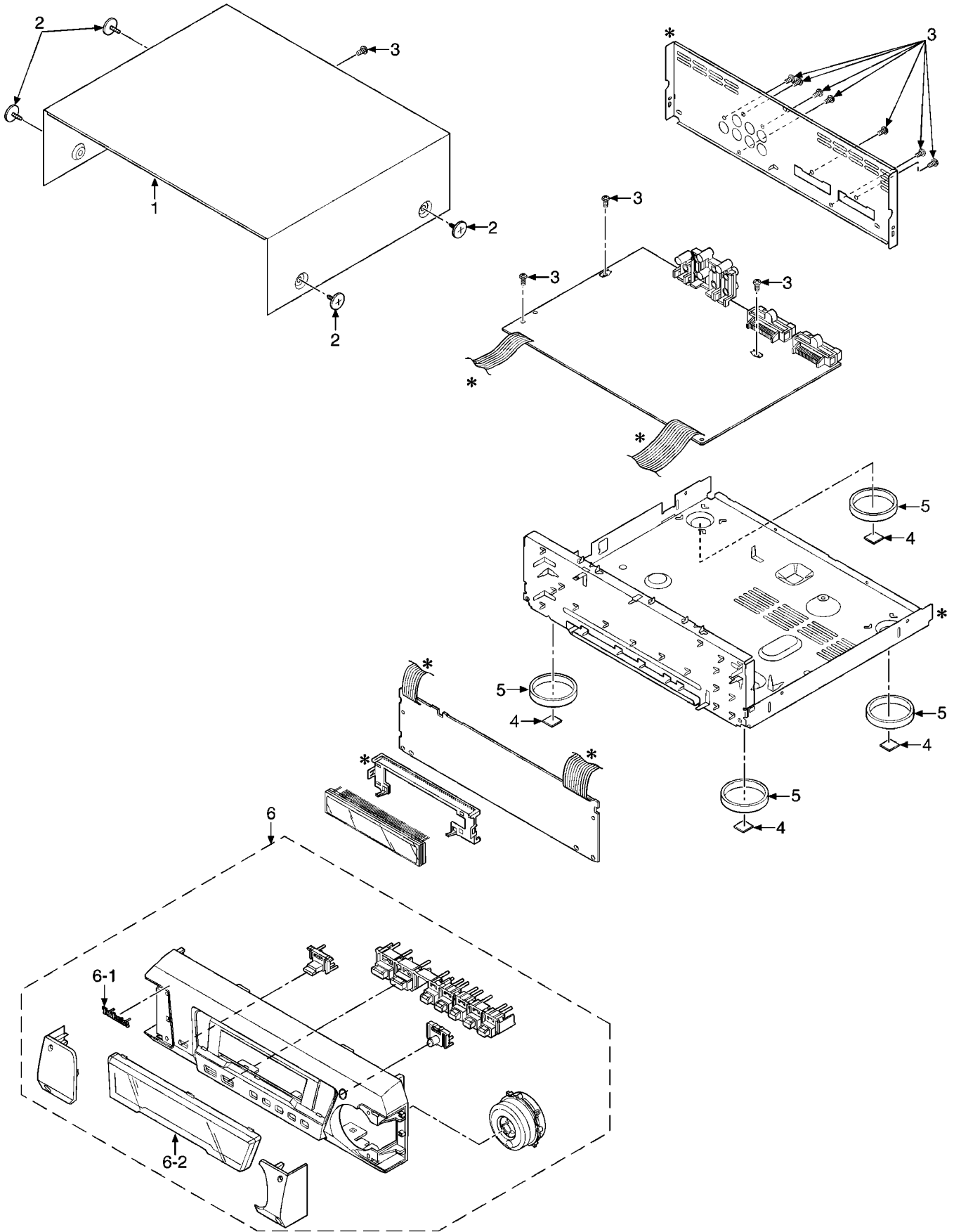
Ref. No.	Part No.	Part Name & Description	Pcs	Remarks
Q768	2SC3940AQSTA	TRANSISTOR	1	△
R101,02	ERDS2FJ104	1/4W 100K	2	
R103,04	ERDS2FJ102	1/4W 1K	2	
R105,06	ERDS2FJ123	1/4W 12K	2	
R107,08	ERDS2FJ332	1/4W 3.3K	2	
R111,12	ERDS2FJ332	1/4W 3.3K	2	
R113,14	ERDS2FJ123	1/4W 12K	2	
R127	ERDS2FJ104	1/4W 100K	1	
R128	ERDS2FJ102	1/4W 1K	1	
R131,32	ERDS2FJ222	1/4W 2.2K	2	
R154	ERDS2FJ222	1/4W 2.2K	1	
R155	ERDS2FJ102	1/4W 1K	1	
R156,57	ERDS2FJ563	1/4W 56K	2	
R158,59	ERDS2FJ102	1/4W 1K	2	
R204	ERDS2T0T	1/4W 0	1	
R207,08	ERDS2FJ563	1/4W 56K	2	
R209,10	ERDS2FJ273	1/4W 27K	2	
R211,12	ERDS2FJ563	1/4W 56K	2	
R215,16	ERDS2FJ472	1/4W 4.7K	2	
R217-20	ERDS2FJ222	1/4W 2.2K	4	
R221,22	ERDS2FJ104	1/4W 100K	2	
R223-25	ERDS2FJ472	1/4W 4.7K	3	
R226	ERDS2FJ104	1/4W 100K	1	
R227	ERDS2FJ102	1/4W 1K	1	
R228	ERDS2FJ331	1/4W 330	1	
R229	ERDS2FJ391	1/4W 390	1	
R230,31	ERDS2FJ102	1/4W 1K	2	
R232	ERDS2FJ223	1/4W 22K	1	
R233	ERDS2FJ122	1/4W 1.2K	1	
R235,36	ERDS2FJ472	1/4W 4.7K	2	
R237,38	ERDS2FJ103	1/4W 10K	2	
R246,47	ERDS2FJ124	1/4W 120K	2	
R251-56	ERDS2FJ104	1/4W 100K	6	
R258	ERDS2T0T	1/4W 0	1	
R261,62	ERDS2FJ102	1/4W 1K	2	
R263,64	ERDS2FJ682	1/4W 6.8K	2	
R265,66	ERDS2FJ103	1/4W 10K	2	
R267,68	ERDS2FJ102	1/4W 1K	2	
R269,70	ERDS2FJ822	1/4W 8.2K	2	
R271,72	ERDS2FJ102	1/4W 1K	2	
R273,74	ERDS2FJ221	1/4W 220	2	
R275,76	ERDS2FJ223	1/4W 22K	2	
R277	ERDS2FJ102	1/4W 1K	1	
R278	ERDS2FJ473	1/4W 47K	1	
R280-83	ERDS2FJ563	1/4W 56K	4	
R284,85	ERDS2FJ183	1/4W 18K	2	
R286,87	ERDS2FJ393	1/4W 39K	2	
R288-91	ERDS2FJ183	1/4W 18K	4	
R292,93	ERDS2FJ563	1/4W 56K	2	
R301,02	ERDS2FJ152	1/4W 1.5K	2	
R303,04	ERDS2FJ223	1/4W 22K	2	
R305,06	ERDS2FJ102	1/4W 1K	2	
R307,08	ERDS2FJ561	1/4W 560	2	
R309,10	ERDS2FJ102	1/4W 1K	2	
R311,12	ERDS2FJ392	1/4W 3.9K	2	
R313	ERDS2FJ152	1/4W 1.5K	1	
R314	ERDS2FJ223	1/4W 22K	1	
R319,20	ERDS2FJ224	1/4W 220K	2	
R321	ERDS2FJ182	1/4W 1.8K	1	
R322	ERDS2FJ223	1/4W 22K	1	
R323	ERDS2FJ154	1/4W 150K	1	
R327	ERDS2FJ472	1/4W 4.7K	1	
R328,29	ERDS2FJ823	1/4W 82K	2	
R330	ERDS2FJ104	1/4W 100K	1	
R331	ERDS2FJ102	1/4W 1K	1	
R332	ERDS2FJ222	1/4W 2.2K	1	
R333	ERDS2FJ223	1/4W 22K	1	
R334	ERDS2FJ102	1/4W 1K	1	
R337,38	ERDS2FJ104	1/4W 100K	2	
R339,40	ERDS2FJ102	1/4W 1K	2	
R341	ERDS2FJ391	1/4W 390	1	
R342	ERDS2FJ471	1/4W 470	1	
R343,44	ERDS2FJ102	1/4W 1K	2	

Ref. No.	Part No.	Part Name & Description	Pcs	Remarks
R345	ERDS2FJ472	1/4W 4.7K	1	
R346	ERDS2FJ822	1/4W 8.2K	1	
R347,48	ERDS2FJ120	1/4W 12	2	
R349,50	ERDS2FJ102	1/4W 1K	2	
R351,52	ERDS2FJ561	1/4W 560	2	
R353	ERDS2FJ224	1/4W 220K	1	
R354	ERDS2FJ104	1/4W 100K	1	
R355,56	ERDS2FJ222	1/4W 2.2K	2	
R357	ERDS2FJ123	1/4W 12K	1	
R358	ERDS2FJ332	1/4W 3.3K	1	
R359,60	ERDS2FJ103	1/4W 10K	2	
R361,62	ERDS2FJ224	1/4W 220K	2	
R363	ERDS2FJ102	1/4W 1K	1	
R364,65	ERDS2FJ154	1/4W 150K	2	
R367,68	ERDS2FJ222	1/4W 2.2K	2	
R369,70	ERDS2FJ104	1/4W 100K	2	
R373,74	ERDS2FJ102	1/4W 1K	2	
R375,76	ERDS2FJ682	1/4W 6.8K	2	
R377,78	ERDS2FJ102	1/4W 1K	2	
R379,80	ERDS2FJ184	1/4W 180K	2	
R381,82	ERDS2FJ471	1/4W 470	2	
R383	ERDS2FJ154	1/4W 150K	1	
R384	ERDS2FJ105	1/4W 1M	1	
R385	ERDS2FJ222	1/4W 2.2K	1	
R386	ERDS2FJ152	1/4W 1.5K	1	
R387	ERDS2FJ223	1/4W 22K	1	
R388	ERDS2FJ152	1/4W 1.5K	1	
R389	ERDS2FJ104	1/4W 100K	1	
R390	ERDS2FJ272	1/4W 2.7K	1	
R391	ERDS2FJ563	1/4W 56K	1	
R392	ERDS2FJ122	1/4W 1.2K	1	
R393	ERDS2FJ102	1/4W 1K	1	
R394	ERDS2FJ222	1/4W 2.2K	1	
R395	ERDS2FJ105	1/4W 1M	1	
R396	ERDS2FJ104	1/4W 100K	1	
R397,98	ERDS2FJ102	1/4W 1K	2	
R399	ERDS2FJ154	1/4W 150K	1	
R401	ERJ6GEYJ104V	1/10W 100K	1	
R402	ERJ6GEYJ221V	1/10W 220	1	
R403-05	ERDS2FJ102	1/4W 1K	3	
R406	ERJ6GEYJ103V	1/10W 10K	1	
R407	ERJ6GEYJ471V	1/10W 470	1	
R416-18	ERJ6GEYJ102V	1/10W 1K	3	
R419	ERJ6GEYJ331V	1/10W 330	1	
R420	ERJ6GEYJ102V	1/10W 1K	1	
R428,29	ERJ6GEYJ472V	1/10W 4.7K	2	
R430	ERJ6GEYJ104V	1/10W 100K	1	
R431-34	ERJ6GEYJ221V	1/10W 220	4	
R439	ERJ6GEYJ104V	1/10W 100K	1	
R440	ERJ6GEYJ102V	1/10W 1K	1	
R441-45	ERJ6GEYJ103V	1/10W 10K	5	
R447-53	ERJ6GEYJ102V	1/10W 1K	7	
R454,55	ERJ6GEYJ103V	1/10W 10K	2	
R456	ERJ6GEYJ102V	1/10W 1K	1	
R458	ERJ6GEYOR00V	1/10W 0	1	
R461	ERJ6GEYJ221V	1/10W 220	1	
R462	ERJ6GEYOR00V	1/10W 0	1	
R466	ERDS2FJ101	1/4W 100	1	
R505	ERDS2FJ224	1/4W 220K	1	
R506	ERDS2FJ184	1/4W 180K	1	
R507	ERDS2FJ153	1/4W 15K	1	
R509	ERDS2FJ103	1/4W 10K	1	
R511	ERDS2FJ104	1/4W 100K	1	
R513	ERDS2FJ823	1/4W 82K	1	
R515	ERDS2FJ331	1/4W 330	1	
R545	ERDS2FJ102	1/4W 1K	1	
R601-03	ERDS2FJ102	1/4W 1K	3	
R604,05	ERDS2FJ103	1/4W 10K	2	
R606	ERDS2FJ102	1/4W 1K	1	
R607,08	ERDS2FJ221	1/4W 220	2	
R609	ERDS2FJ222	1/4W 2.2K	1	
R610	ERDS2FJ332	1/4W 3.3K	1	
R611	ERDS2FJ101	1/4W 100	1	
R612	ERDS2FJ102	1/4W 1K	1	

Ref. No.	Part No.	Part Name & Description	Pcs	Remarks
R613	ERDS2FJ562	1/4W 5.6K	1	
R614-17	ERDS2FJ102	1/4W 1K	4	
R618	ERDS2FJ104	1/4W 100K	1	
R619	ERDS2FJ681	1/4W 680	1	
R620,21	ERDS2FJ471	1/4W 470	2	
R622,23	ERDS2FJ104	1/4W 100K	2	
R624-30	ERDS2FJ181	1/4W 180	7	
R631	ERDS2FJ821	1/4W 820	1	
R632	ERDS2FJ102	1/4W 1K	1	
R633	ERDS2FJ122	1/4W 1.2K	1	
R634	ERDS2FJ152	1/4W 1.5K	1	
R635	ERDS2FJ182	1/4W 1.8K	1	
R636	ERDS2FJ222	1/4W 2.2K	1	
R637	ERDS2FJ821	1/4W 820	1	
R638	ERDS2FJ102	1/4W 1K	1	
R639	ERDS2FJ122	1/4W 1.2K	1	
R640	ERDS2FJ152	1/4W 1.5K	1	
R641	ERDS2FJ182	1/4W 1.8K	1	
R642	ERDS2FJ222	1/4W 2.2K	1	
R643,44	ERDS2FJ102	1/4W 1K	2	
R645	ERDS2FJ101	1/4W 100	1	
R646	ERDS2FJ222	1/4W 2.2K	1	
R647	ERDS2FJ223	1/4W 22K	1	
R648-50	ERDS2FJ104	1/4W 100K	3	
R651	ERDS2FJ102	1/4W 1K	1	
R652,53	ERDS2FJ472	1/4W 4.7K	2	
R654-56	ERDS2FJ103	1/4W 10K	3	
R657	ERDS2FJ473	1/4W 47K	1	
R658,59	ERDS2FJ472	1/4W 4.7K	2	
R660	ERDS2FJ473	1/4W 47K	1	
R661	ERDS2FJ223	1/4W 22K	1	
R662	ERDS2FJ271	1/4W 270	1	
R663,64	ERDS2FJ331	1/4W 330	2	
R665,66	ERDS2FJ473	1/4W 47K	2	
R667	ERDS2FJ391	1/4W 390	1	
R668	ERDS2FJ222	1/4W 2.2K	1	
R670	ERDS2FJ104	1/4W 100K	1	
R716	ERDS2FJ821	1/4W 820	1	
R761,62	ERDS2FJ2R2	1/4W 2.2	2	
R763	ERQ16NKR33E	0.33	1	△
R764	ERDS2FJ821	1/4W 820	1	
R765	ERDS2FJ221	1/4W 220	1	
R766	ERDS2FJ182	1/4W 1.8K	1	
R767	ERDS2FJ102	1/4W 1K	1	
R768,69	ERDS2FJ122	1/4W 1.2K	2	
R770	ERD2FCJ4R7	4.7	1	△
R771	ERDS2FJ102	1/4W 1K	1	
R772	ERDS2FJ122	1/4W 1.2K	1	
R773	ERDS2FJ102	1/4W 1K	1	
R774	ERDS2FJ221	1/4W 220	1	
R801,02	ERJ6GEYJ102V	1/10W 1K	2	
R804	ERJ6GEYJ183V	1/10W 18K	1	
R805,06	ERJ6GEYJ821V	1/10W 820	2	
R807-09	ERJ6GEYJ103V	1/10W 10K	3	
R810	ERJ6GEYJ560V	1/10W 56	1	
R811	ERJ6GEYJ104V	1/10W 100K	1	
R813,14	ERJ6GEYJ271V	1/10W 270	2	
R816	ERJ6GEYJ105	1/10W 1M	1	
R817,18	ERJ6GEYJ271V	1/10W 270	2	
R821,22	ERJ6GEYJ271V	1/10W 270	2	
R823,24	ERDS2FJ271	1/4W 270	2	
R826	ERJ6GEYJ271V	1/10W 270	1	
R827,28	ERJ6GEYJ472V	1/10W 4.7K	2	
R829,30	ERJ6GEYJ332V	1/10W 3.3K	2	
R831	ERJ6GEYJ101V	1/10W 100	1	
R832	ERJ6GEYJ221V	1/10W 220	1	
R833	ERJ6GEYJ472V	1/10W 4.7K	1	
R834-39	ERJ6GEYJ331V	1/10W 330	6	
R840	ERJ6GEYJ103V	1/10W 10K	1	
R841,42	ERJ6GEYJ331V	1/10W 330	2	
R844,45	ERJ6GEYJ331V	1/10W 330	2	
R846,47	ERJ6GEYJ393V	1/10W 39K	2	
R849	ERJ6GEYJ271V	1/10W 270	1	
R851,52	ERJ6GEYJ102V	1/10W 1K	2	

Ref. No.	Part No.	Part Name & Description	Pcs	Remarks
R854	ERJ6GEYJ183V	1/10W 18K	1	
R857-59	ERJ6GEYJ103V	1/10W 10K	3	
R860	ERJ6GEYJ560V	1/10W 56	1	
R861	ERJ6GEYJ104V	1/10W 100K	1	
R863,64	ERJ6GEYJ561V	1/10W 560	2	
R867,68	ERJ6GEYJ561V	1/10W 560	2	
R869-72	ERJ6GEYJ271V	1/10W 270	4	
R873,74	ERJ6GEYJ331V	1/10W 330	2	
R875,76	ERJ6GEYJ271V	1/10W 270	2	
R877,78	ERJ6GEYJ104V	1/10W 100K	2	
R881	ERJ6GEYJ101V	1/10W 100	1	
R882	ERJ6GEYJ105	1/10W 1M	1	
R883	ERJ6GEYJ472V	1/10W 4.7K	1	
R884,85	ERJ6GEYJ331V	1/10W 330	2	
R888,89	ERJ6GEYJ331V	1/10W 330	2	
R890	ERJ6GEYJ103V	1/10W 10K	1	
R891,92	ERDS2FJ222	1/4W 2.2K	2	
R898-02	ERJ6GEY0R00V	1/10W 0	5	
R903	ERDS2FJ124	1/4W 120K	1	
R904-07	ERJ6GEY0R00V	1/10W 0	4	
S601-07	EVQ11G05R	SW,PUSH	7	
S608-11	EVQ11G07K	SW,PUSH	4	
S612,13	EVQ11G05R	SW,PUSH	2	
S614	ESE24SV7	SW,MULTI JOG	1	
X401	RSXY8M00M06T	OSCILLATOR	1	
X601	RSXY8M00M06T	OSCILLATOR	1	
X801	RSXZ36M8M01T	OSCILLATOR	1	

# 13 Cabinet Parts Location



Note : We do not supply those items of parts marked \*.