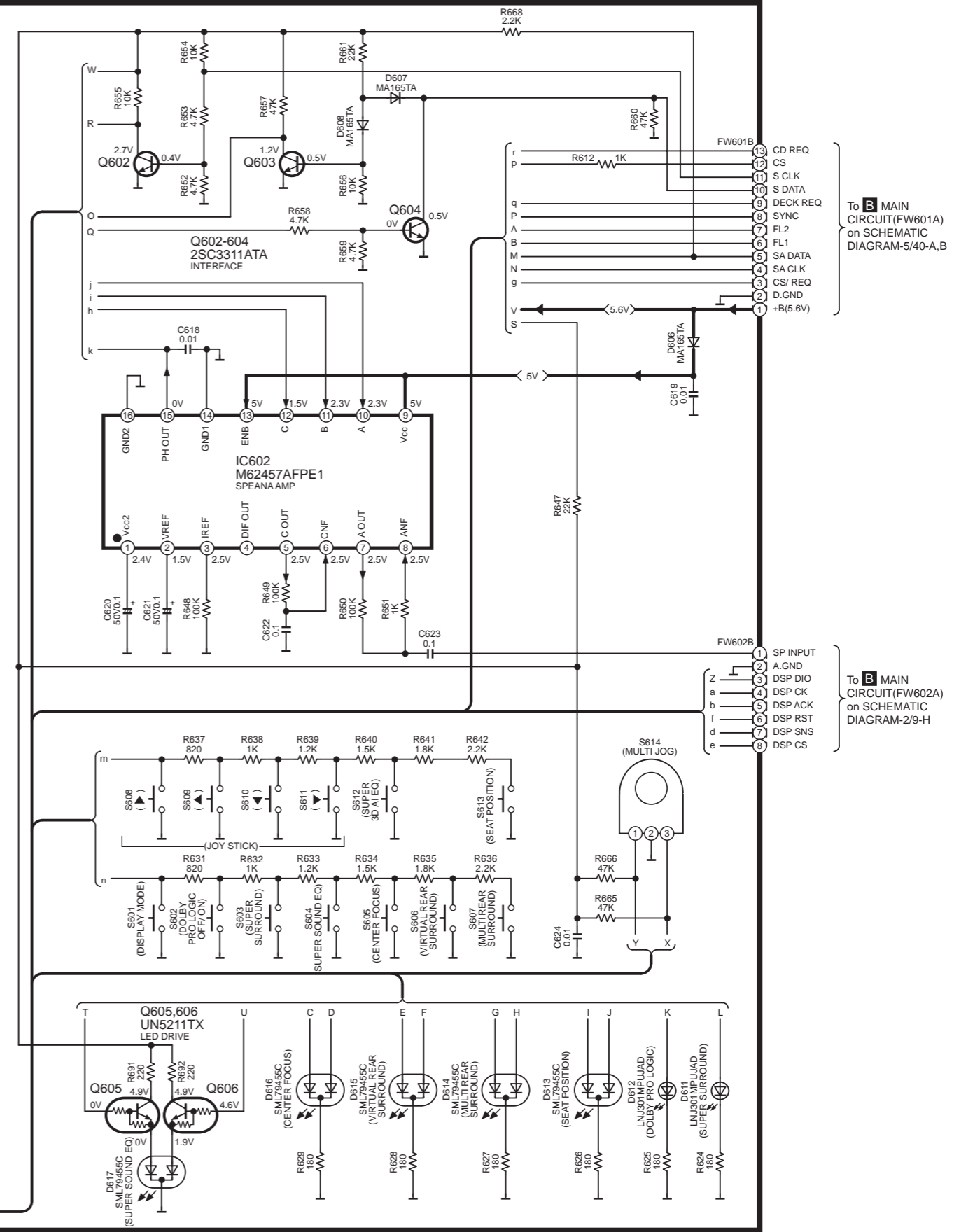
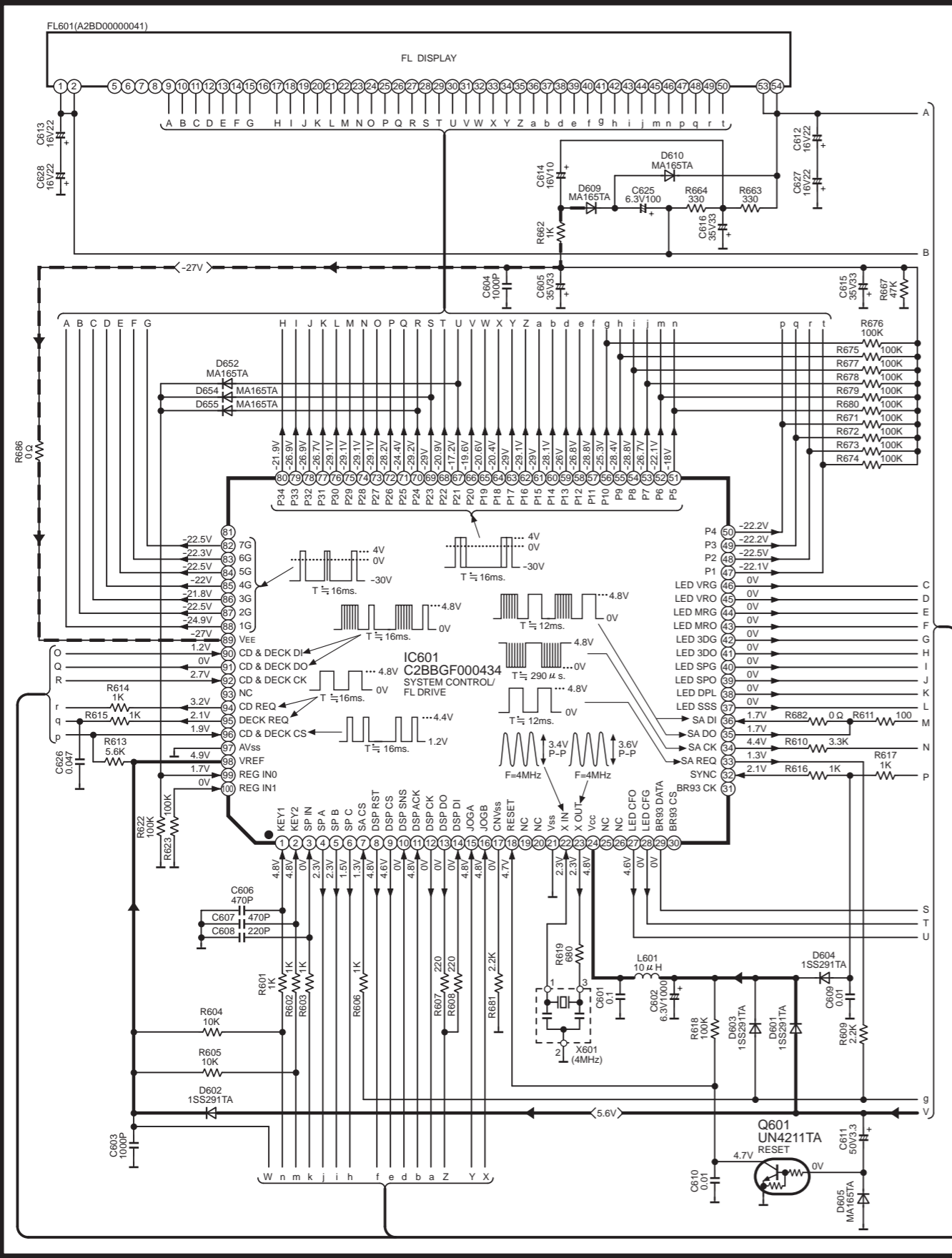


A FL CIRCUIT

NOTE: The number which noted at the connectors on the schematic diagram as "SCHEMATIC DIAGRAM-1" or "SCHEMATIC DIAGRAM-2" indicates the schematic diagram serial number located on the left corner in the schematic diagram.



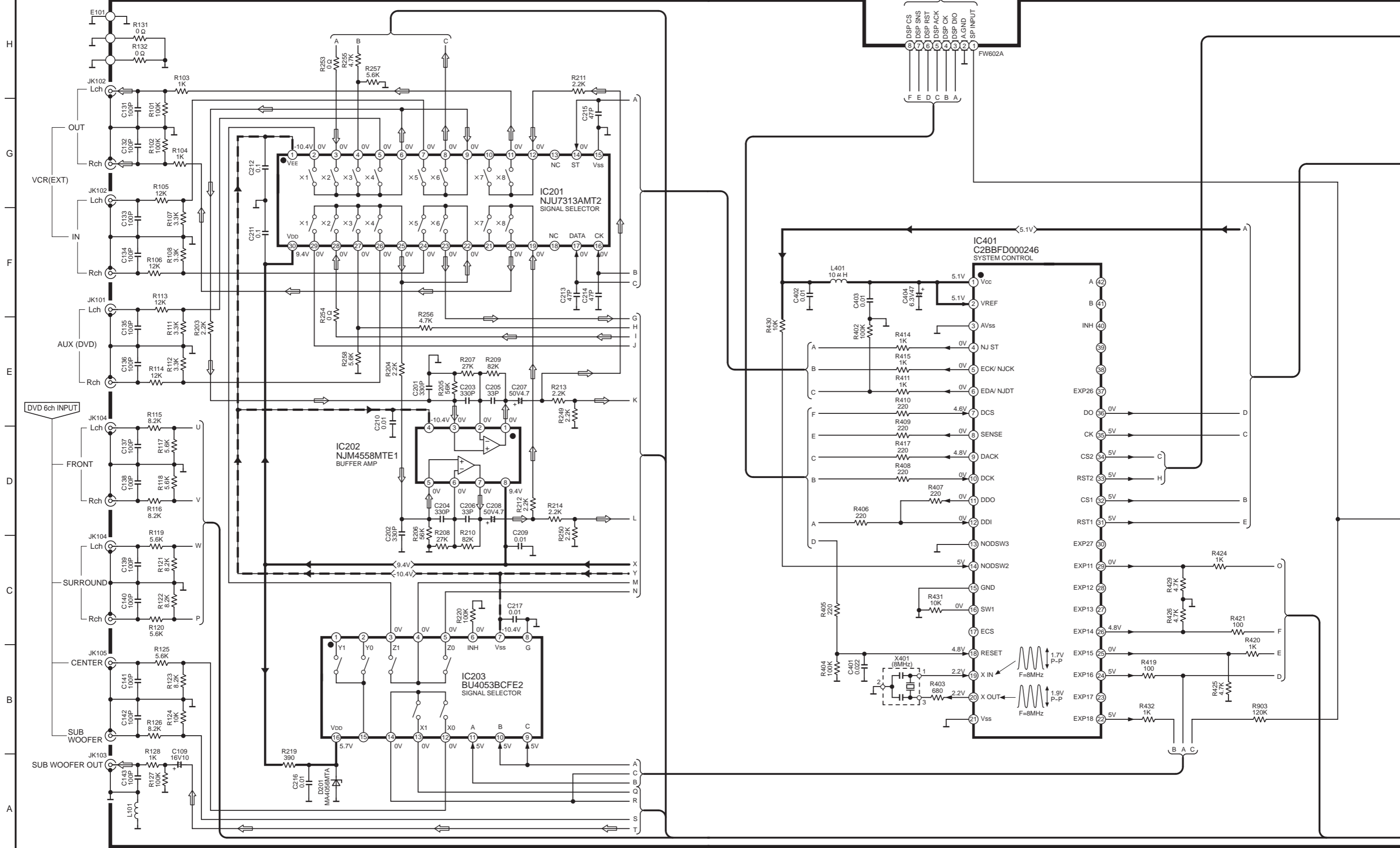
To **B** MAIN CIRCUIT(FW601A) on SCHEMATIC DIAGRAM-5/40-A,B

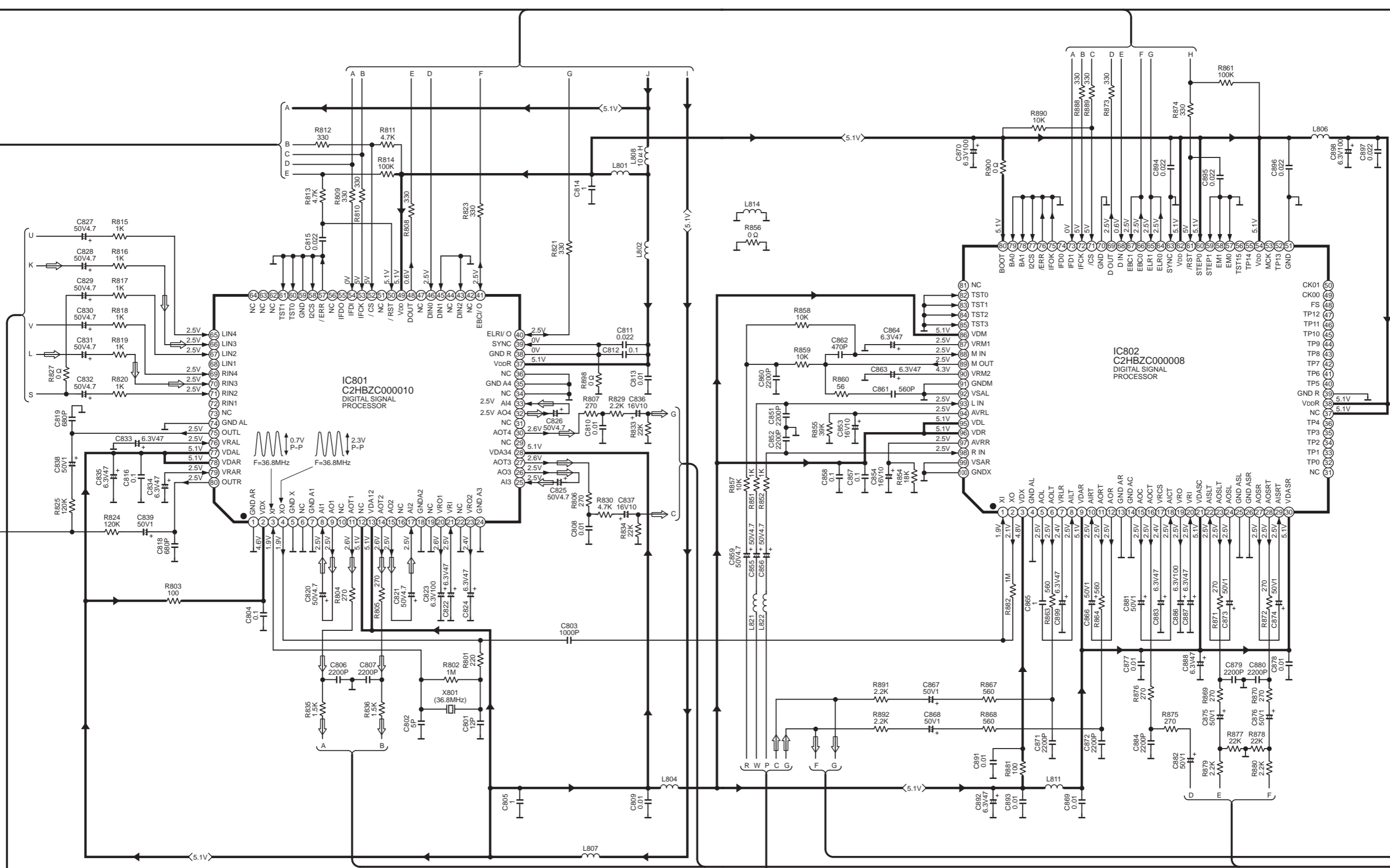
To **B** MAIN CIRCUIT(FW602A) on SCHEMATIC DIAGRAM-2/9-H

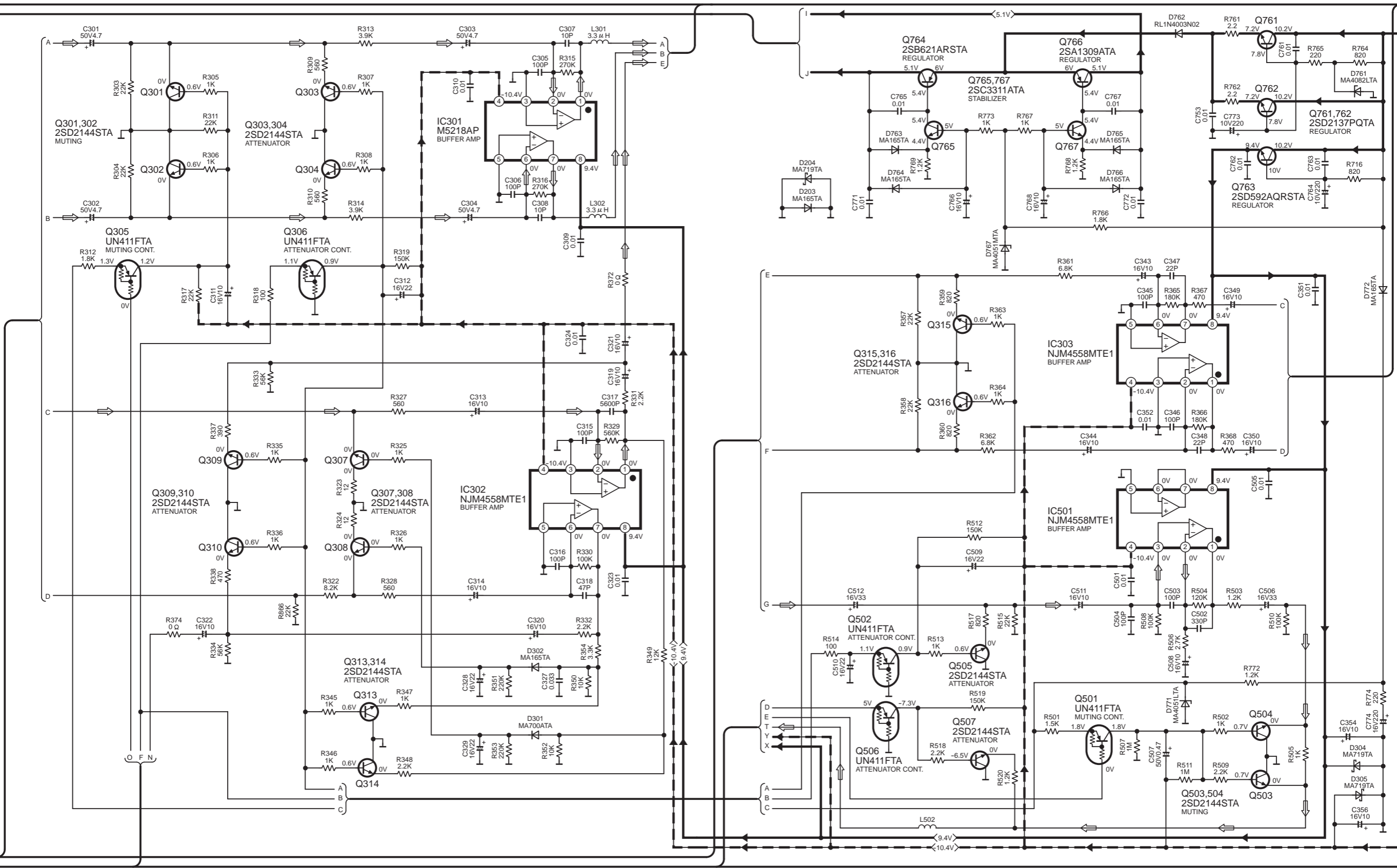
B MAIN CIRCUIT

→ : POSITIVE VOLTAGE LINE -→ : NEGATIVE VOLTAGE LINE ⇨ : CD PLAYBACK SIGNAL LINE

To A FL CIRCUIT(FW602B) on SCHEMATIC DIAGRAM-1/11,12-D

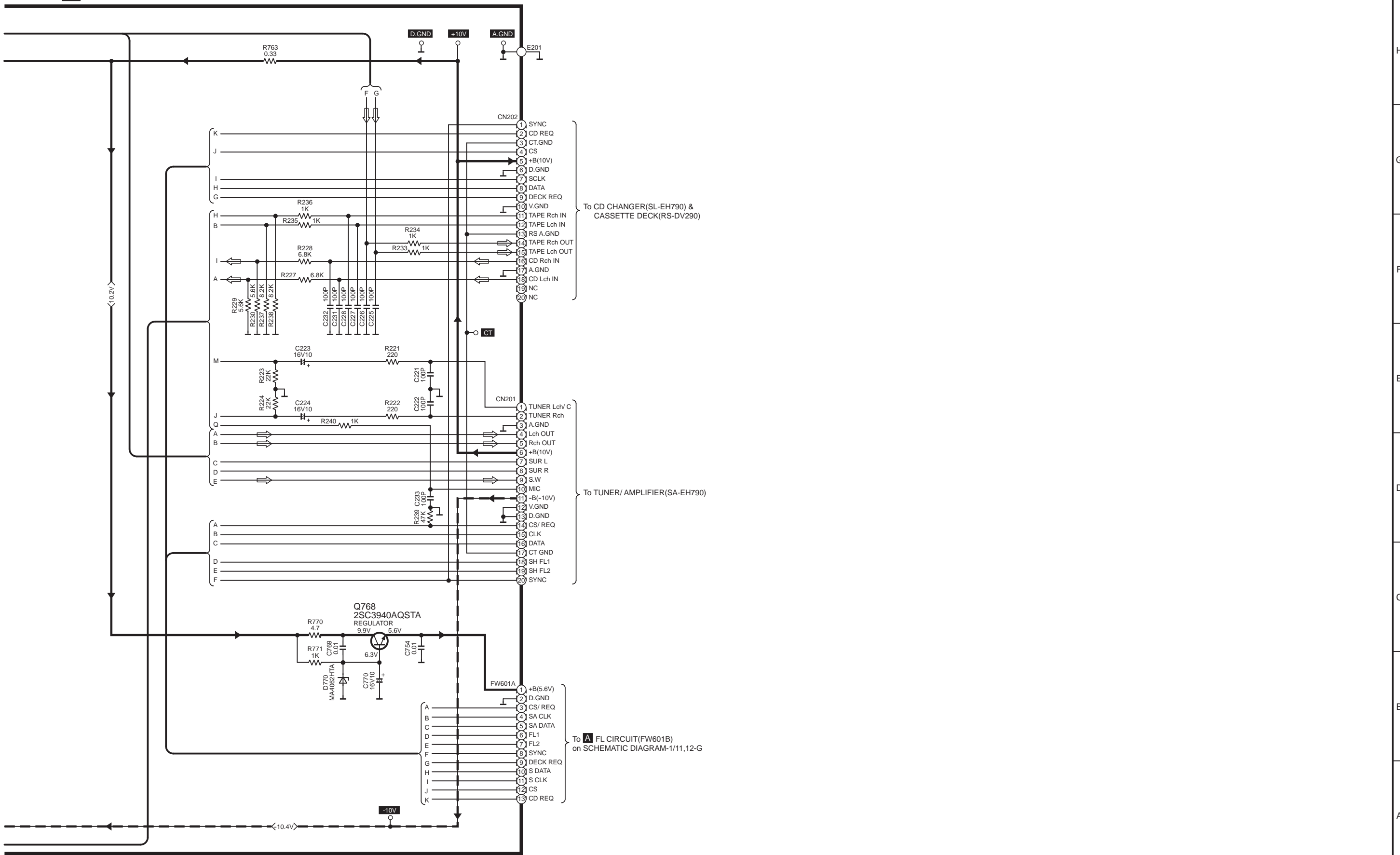






B MAIN CIRCUIT

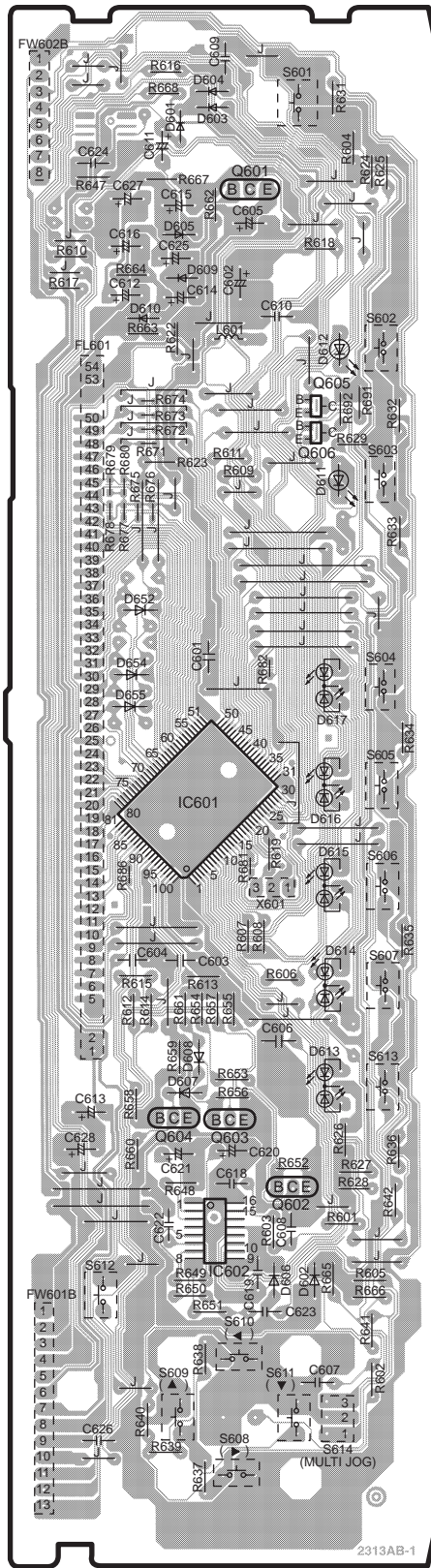
→ : POSITIVE VOLTAGE LINE
→ : NEGATIVE VOLTAGE LINE
⇨ : CD PLAYBACK SIGNAL LINE



SH-EH790(E) MAIN CIRCUIT DIAGRAM

Note: This printed circuit board diagram may be modified at any time with the development of new technology.

A FL P.C.B.



DISPLAY MODE

DOLBY PRO LOGIC OFF/ON

SUPER SURROUND

SUPER SOUND EQ

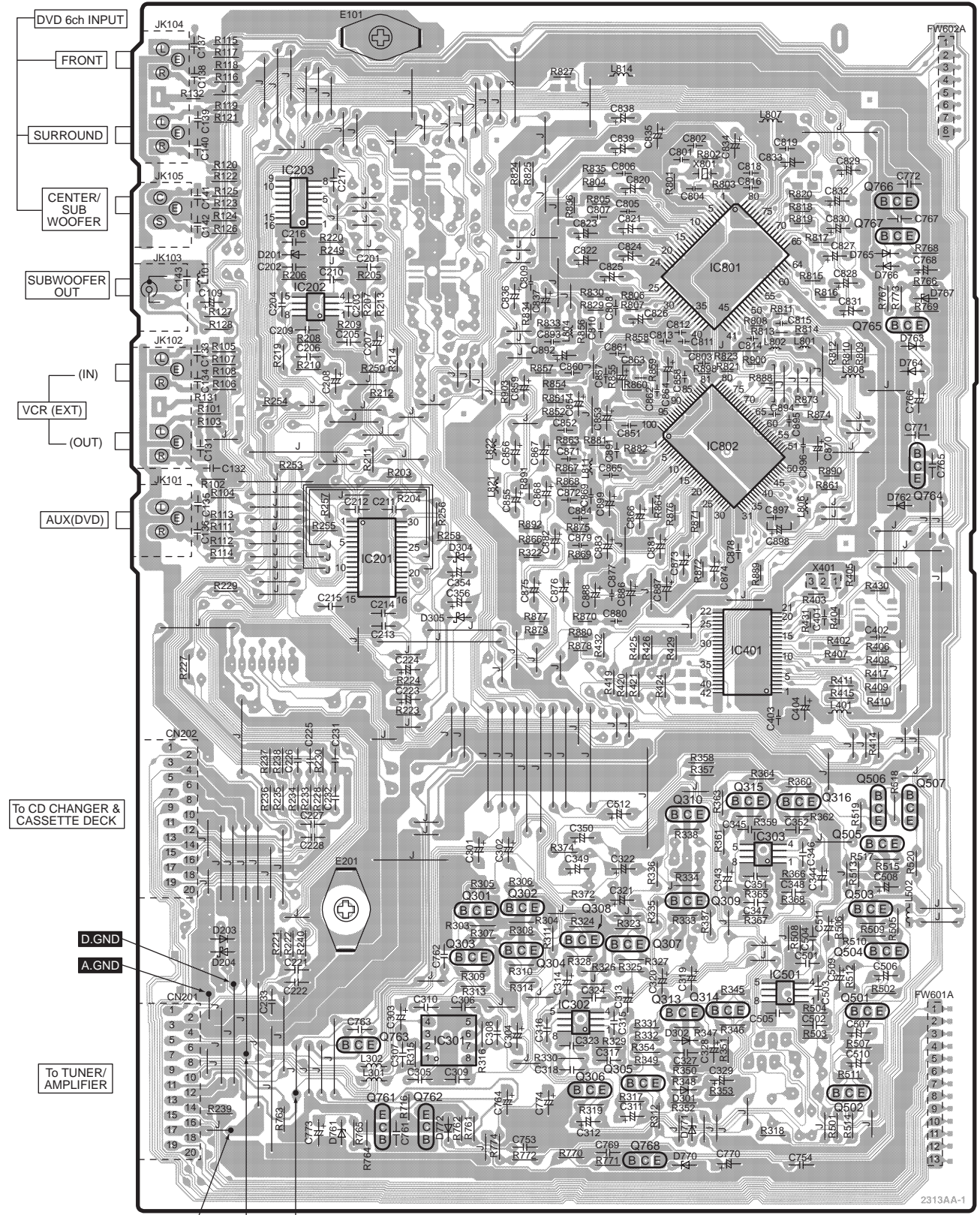
CENTER FOCUS

VIRTUAL REAR SURROUND

MULTI REAR SURROUND

SEAT POSITION

B MAIN P.C.B.



DVD 6ch INPUT

FRONT

SURROUND

CENTER/SUB WOOFER

SUBWOOFER OUT

(IN)

VCR (EXT)

(OUT)

AUX(DVD)

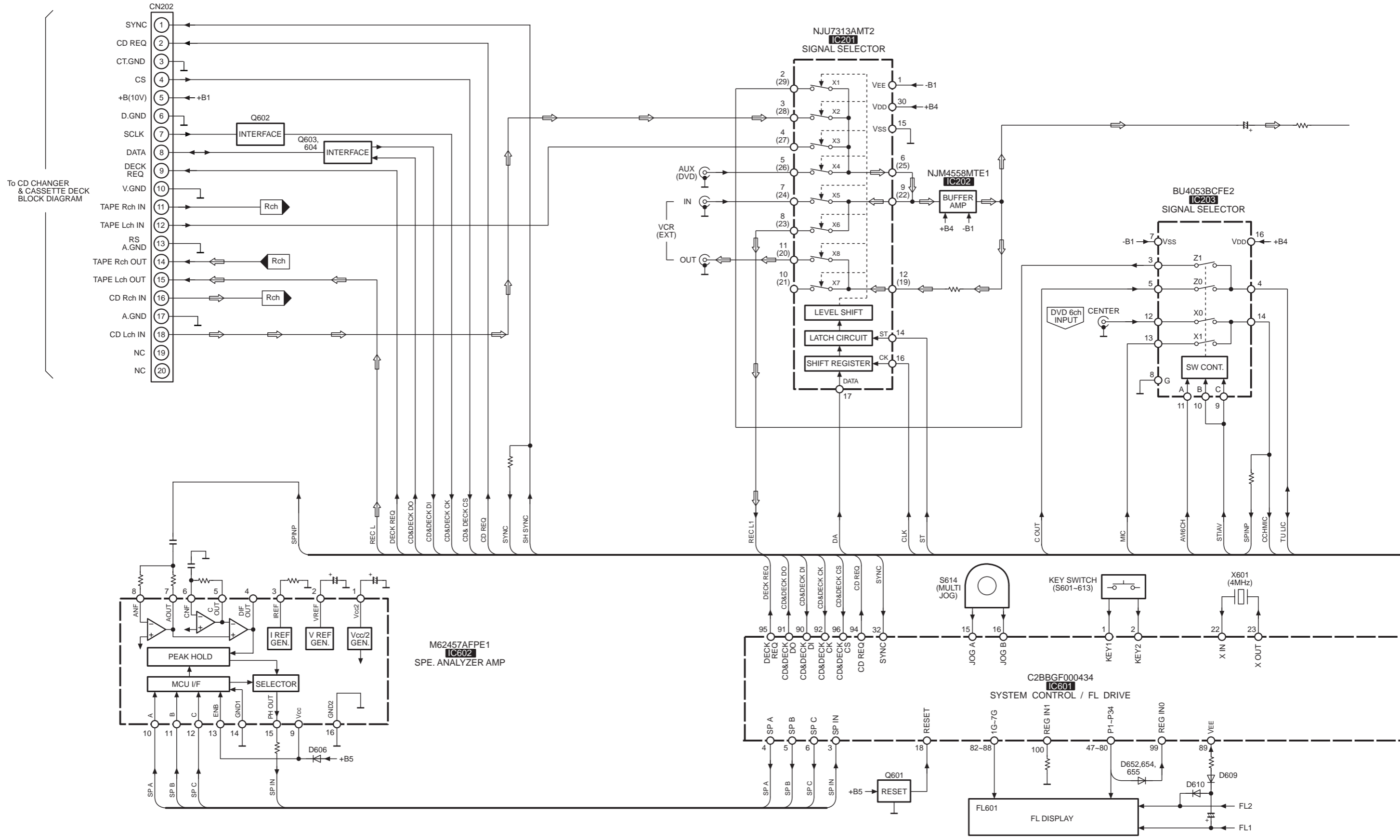
To CD CHANGER & CASSETTE DECK

D.GND

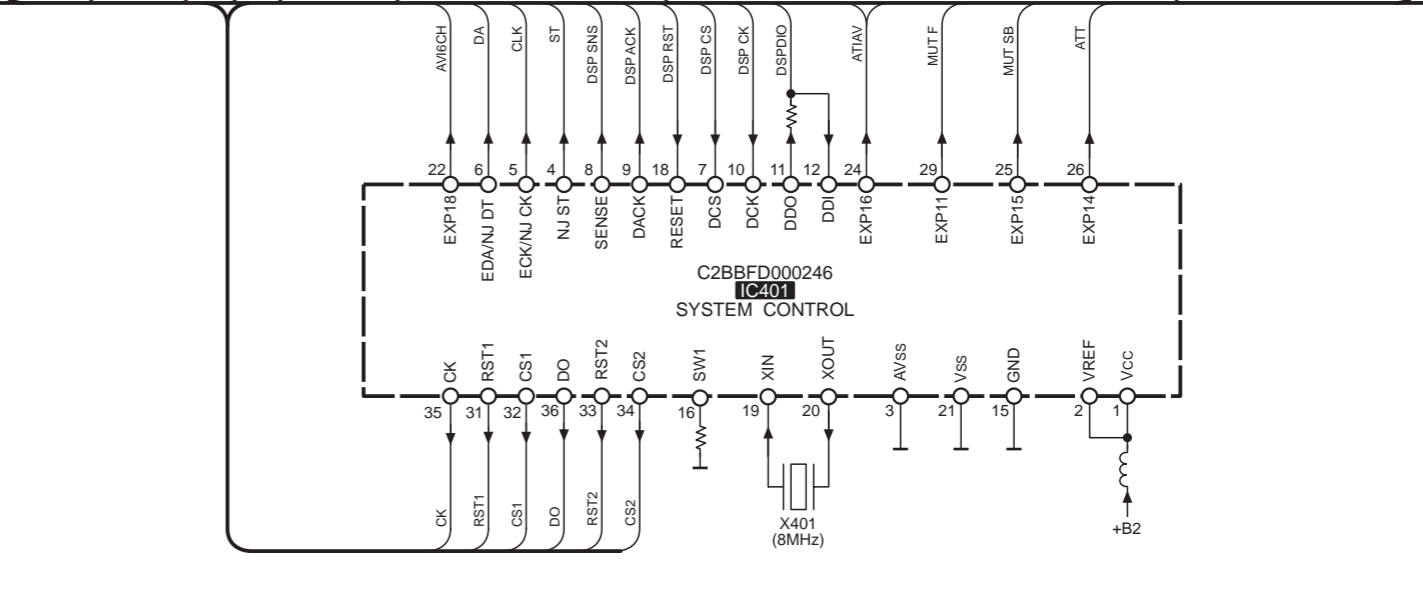
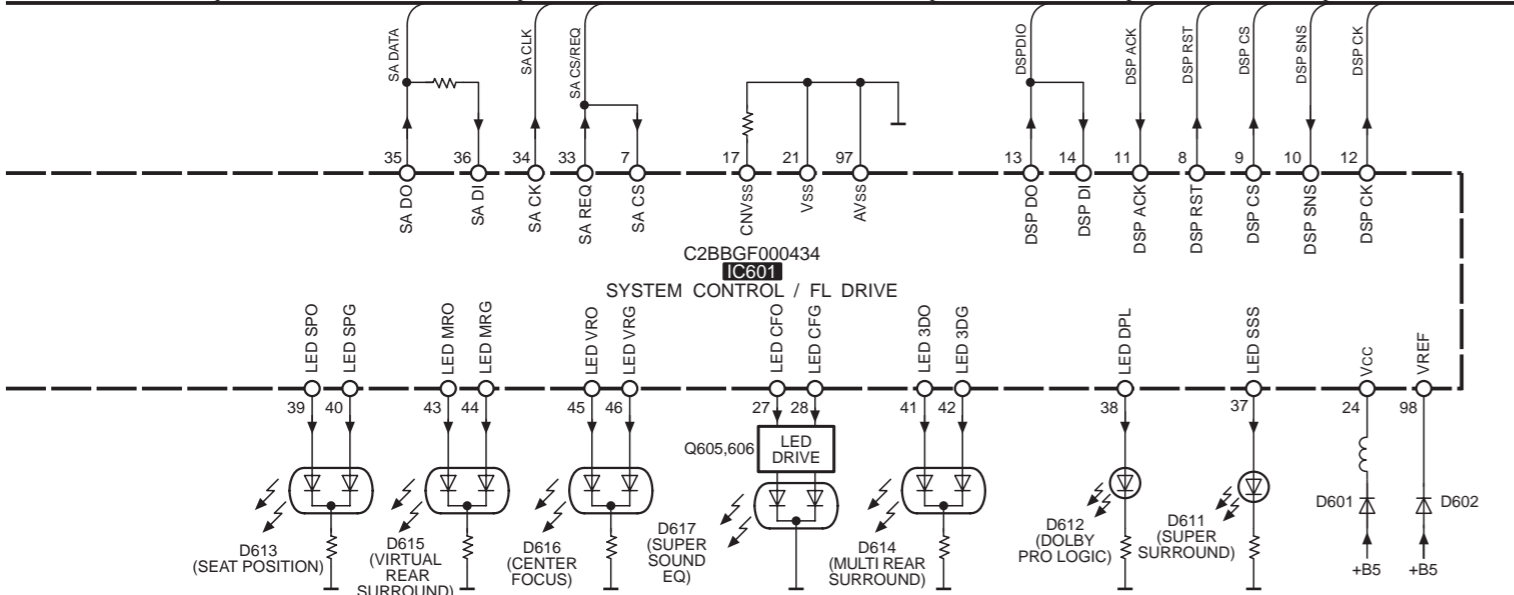
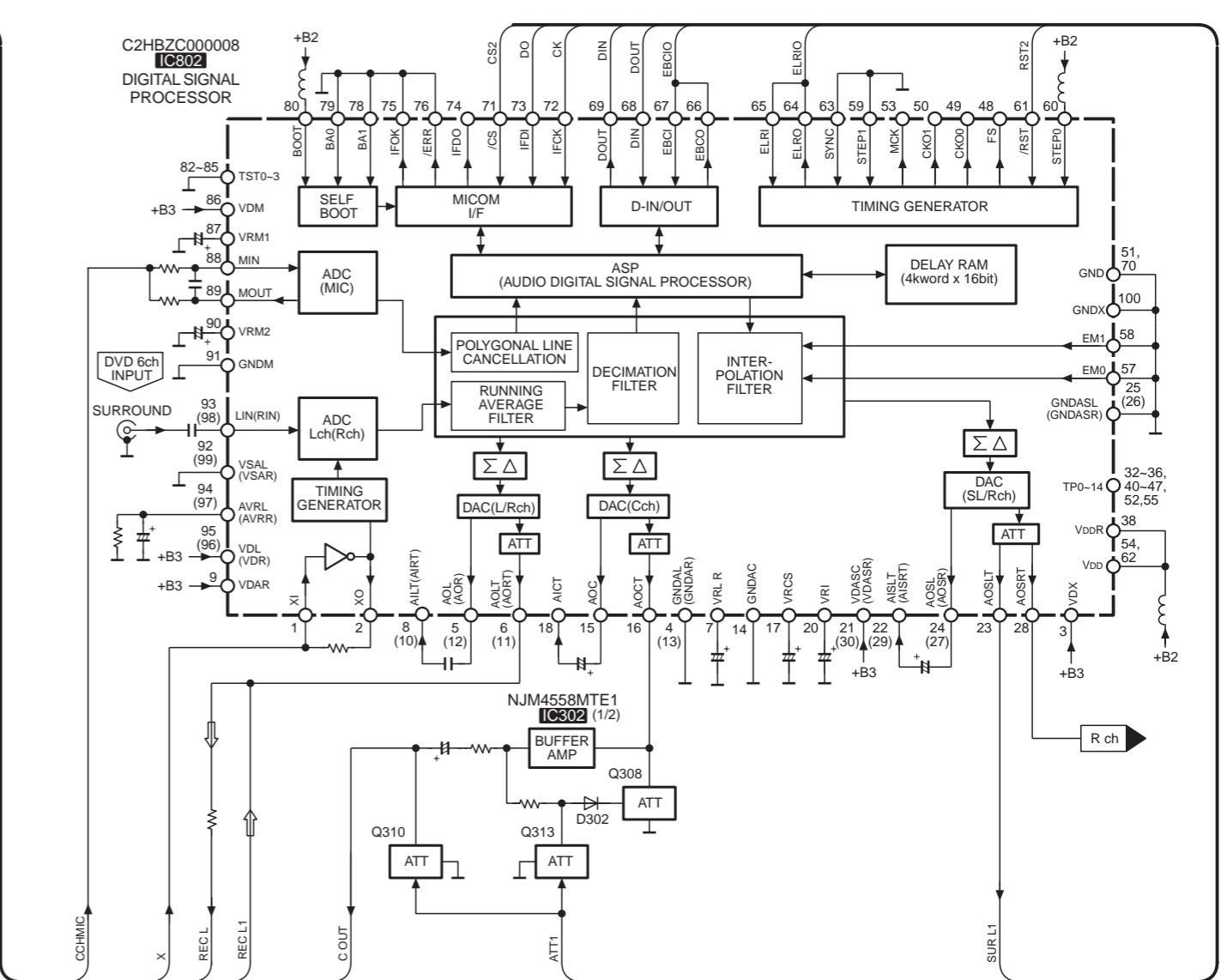
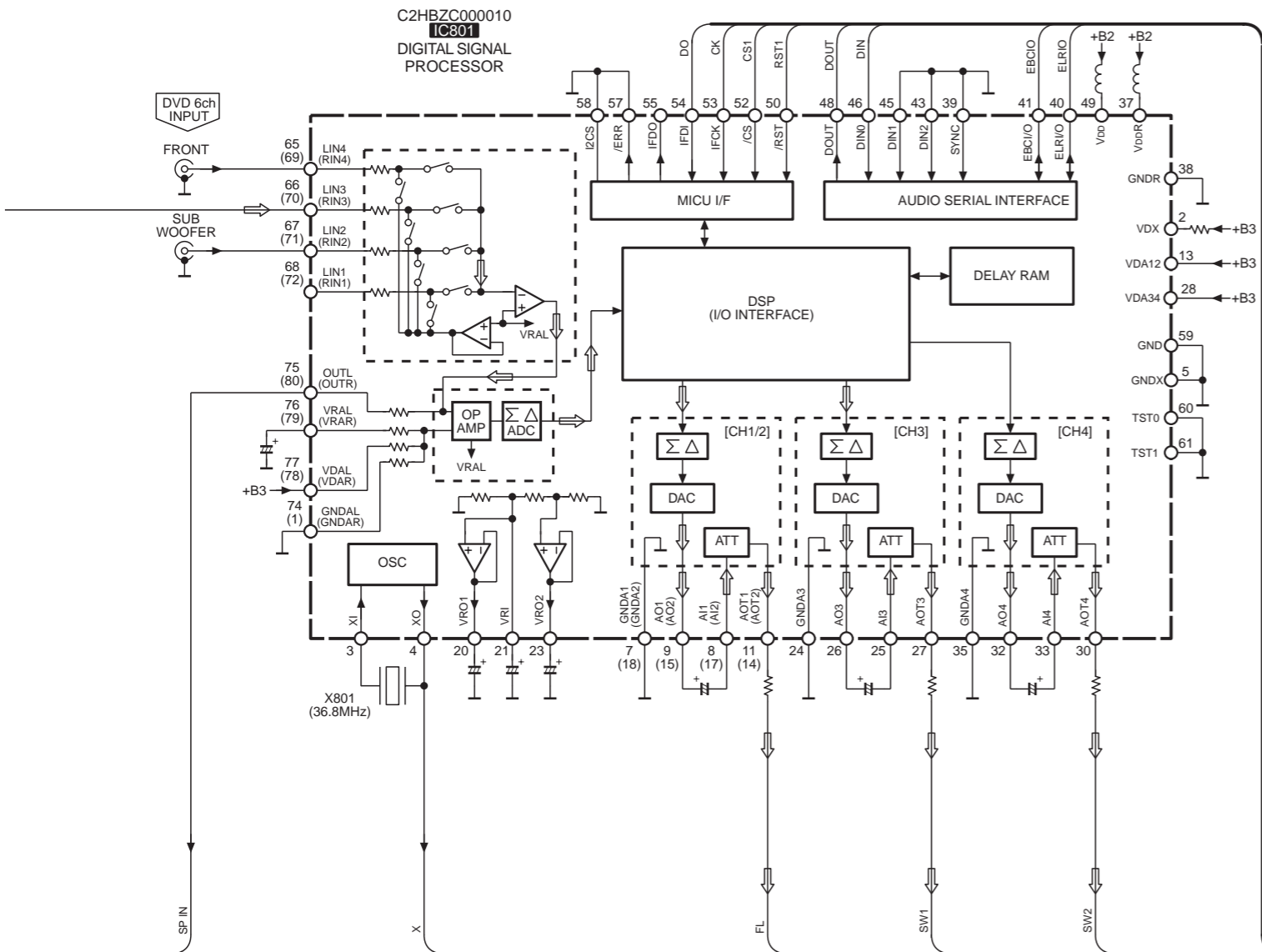
A.GND

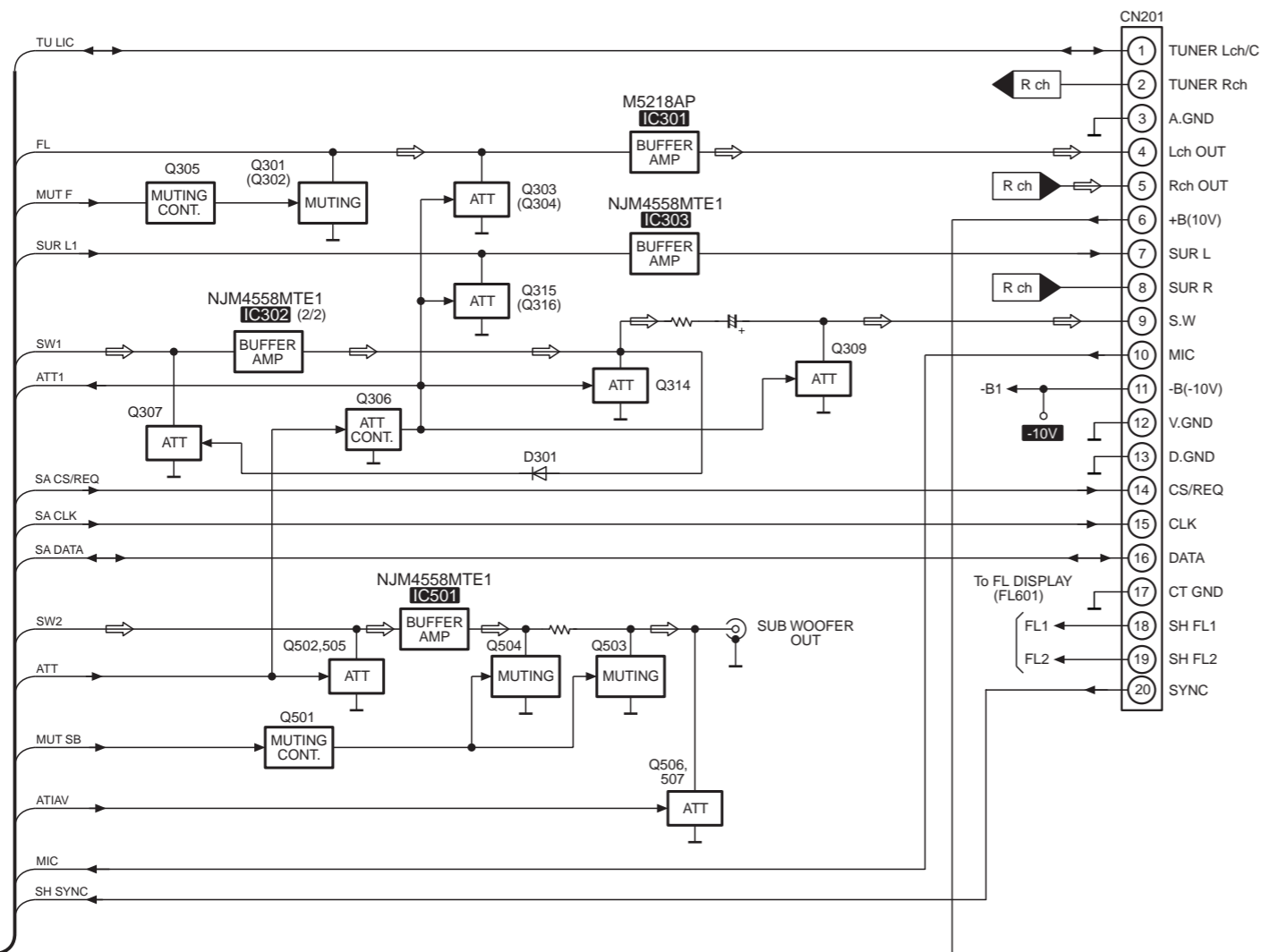
To TUNER/AMPLIFIER

CT +10V -10V



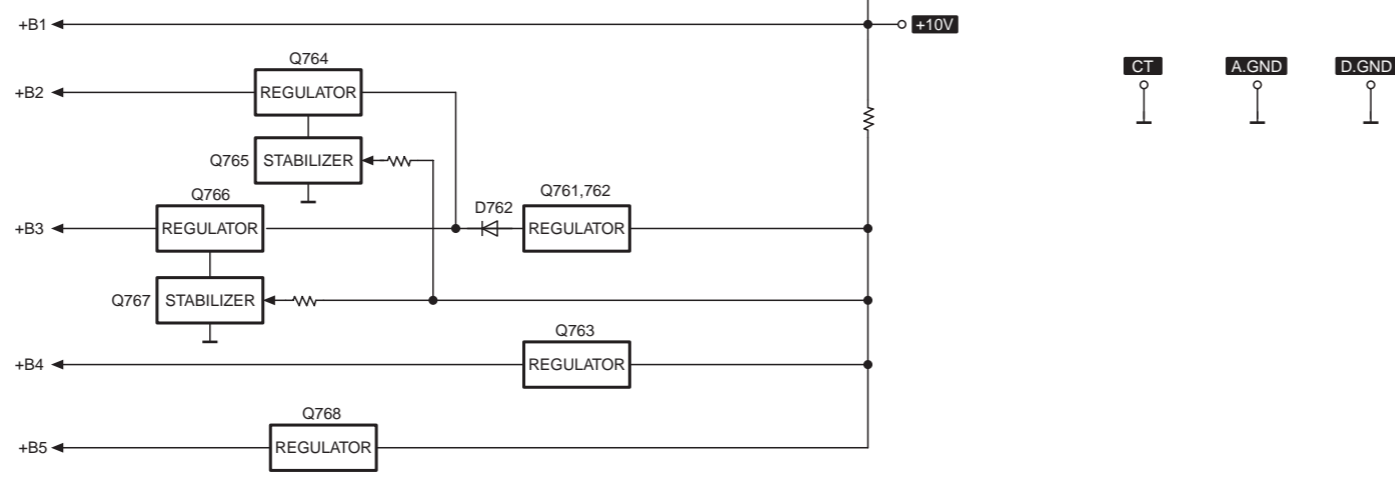
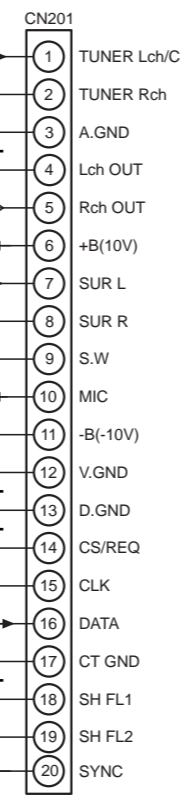
To CD CHANGER & CASSETTE DECK BLOCK DIAGRAM

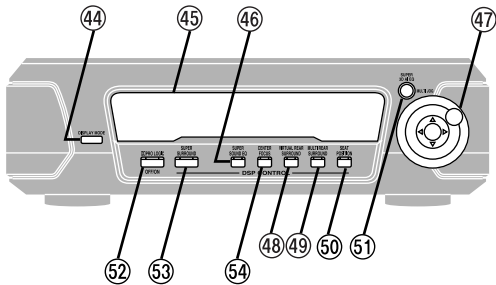




To TUNER/AMPLIFIER
BLOCK DIAGRAM

NOTES
 • ⇨ : CD PLAYBACK SIGNAL LINE
 • () indicates pin No. Right channel.





- ④④ **Display mode button (DISPLAY MODE)**
- ④⑤ **Display**
- ④⑥ **Super sound EQ button (SUPER SOUND EQ)**
- ④⑦ **Jog control and joystick (◀, ▶, ▲, ▼, MULTI JOG)**
- ④⑧ **Virtual rear surround button and indicator (VIRTUAL REAR SURROUND)**
- ④⑨ **Multi rear surround button and indicator (MULTI REAR SURROUND)**
- ⑤⑩ **Seat position button and indicator (SEAT POSITION)**
- ⑤⑪ **Super 3D AI EQ button (SUPER 3D AI EQ)**
- ⑤⑫ **DOLBY PRO LOGIC button and indicator (DOLBY PRO LOGIC, OFF/ON)**
- ⑤⑬ **Super surround button and indicator (SUPER SURROUND)**
- ⑤⑭ **Center focus button and indicator (CENTER FOCUS)**

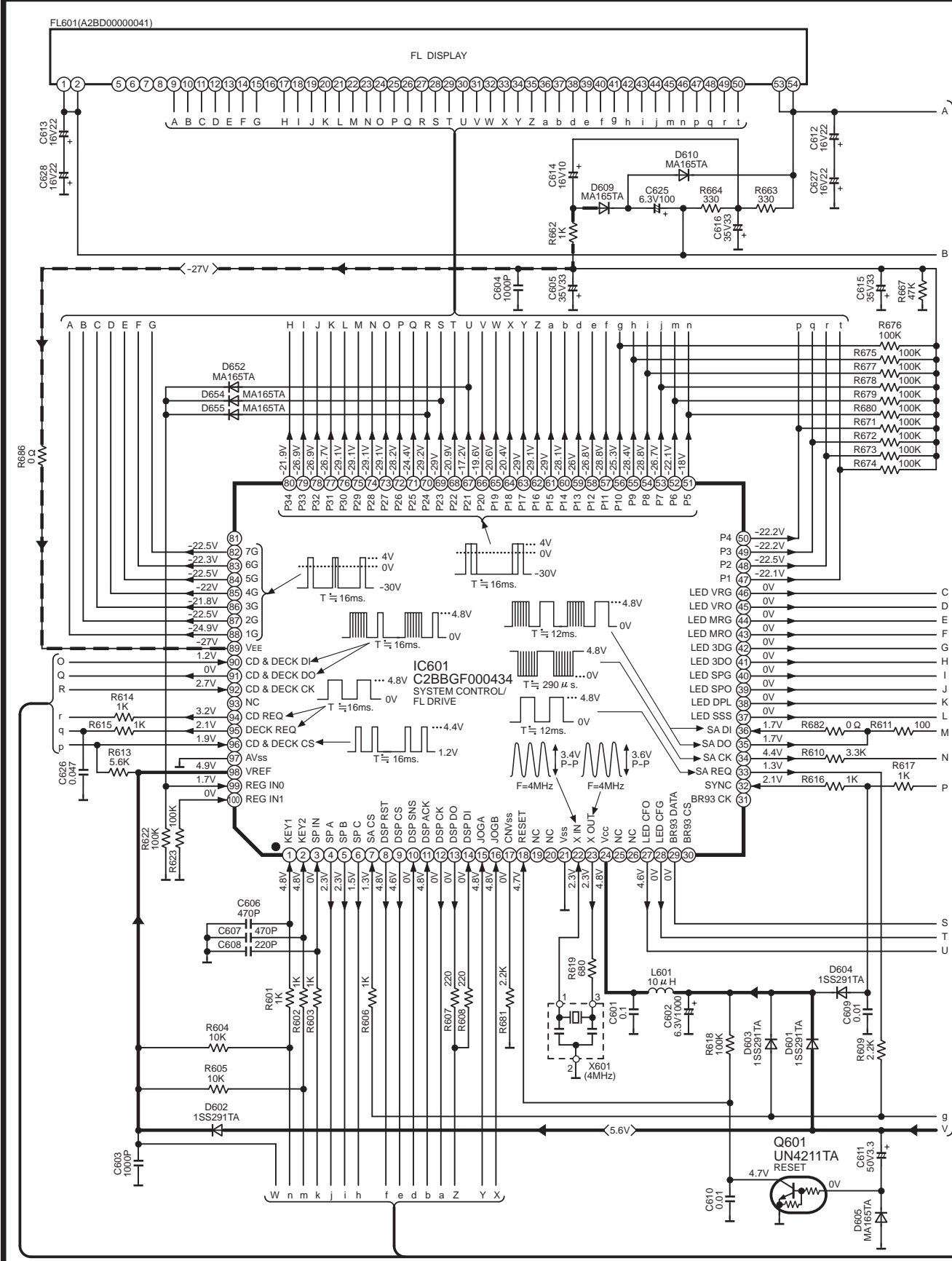
SCHEMATIC DIAGRAM-1

A FL CIRCUIT

NOTE:

The number which noted at the connectors on the schematic diagram as "SCHEMATIC DIAGRAM-1" or "SCHEMATIC DIAGRAM-2" indicates the schematic diagram serial number located on the left corner in the schematic diagram.

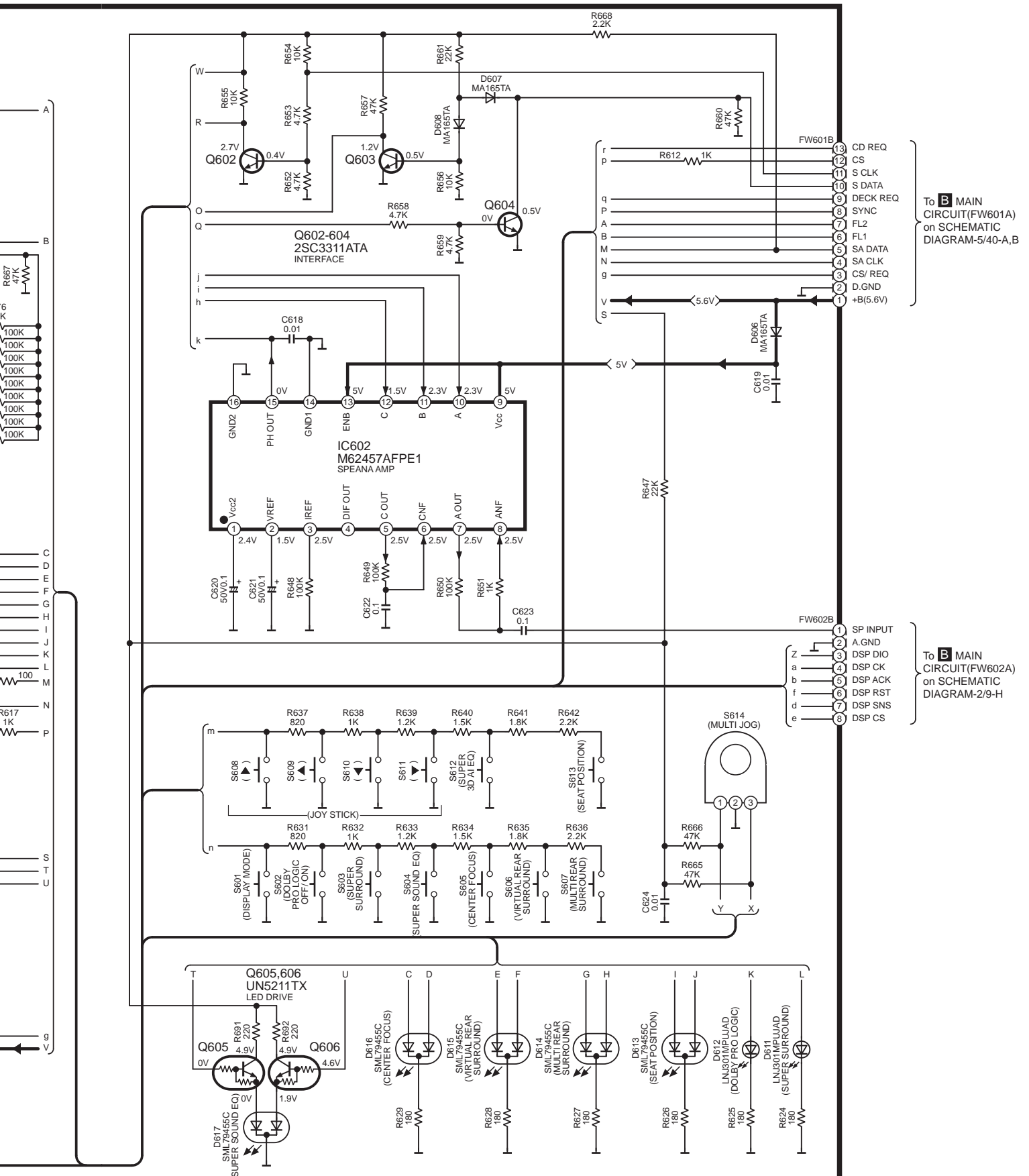
H
G
F
E
D
C
B
A



1 2 3 4 5 6 7



→ : POSITIVE VOLTAGE LINE - → : NEGATIVE VOLTAGE LINE



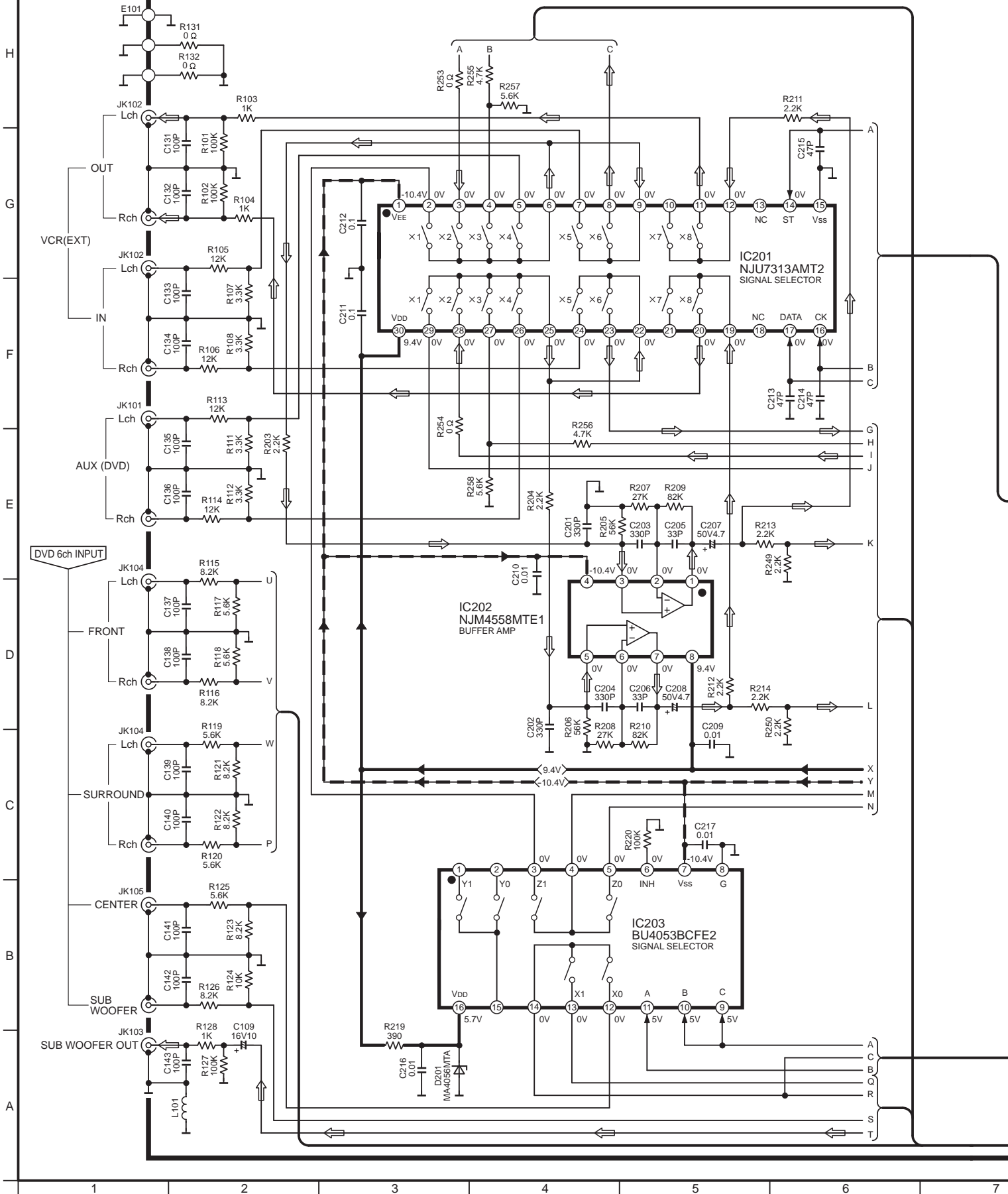
To **B** MAIN CIRCUIT(FW601A) on SCHEMATIC DIAGRAM-5/40-A,B

To **B** MAIN CIRCUIT(FW602A) on SCHEMATIC DIAGRAM-2/9-H

SCHEMATIC DIAGRAM-2

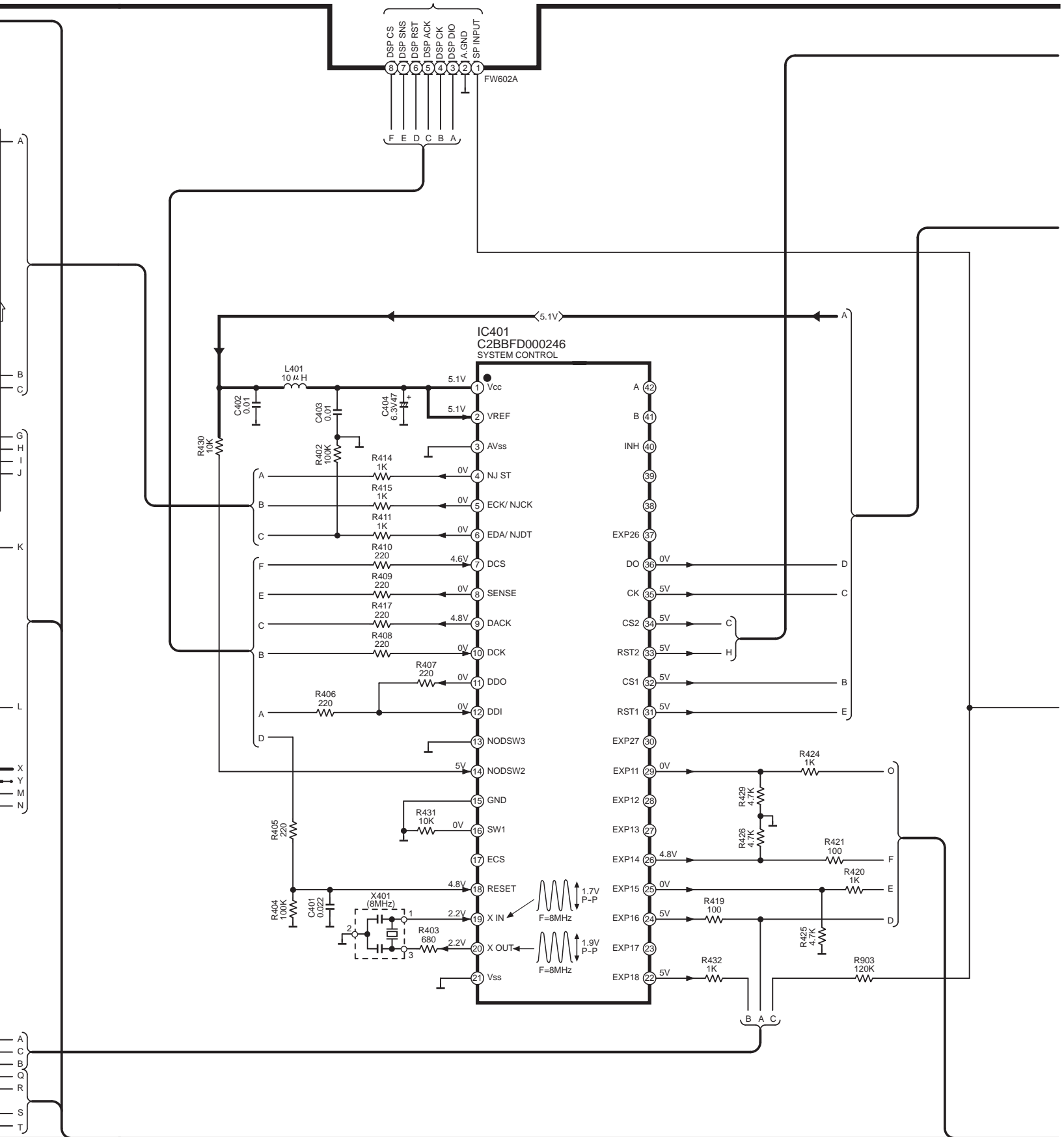
B MAIN CIRCUIT

→ : POSITIVE VOLTAGE LINE → - : NEGATIVE VOLTAGE LINE ⇨ : CD PLAYBACK SIGNAL LINE



SIGNAL LINE

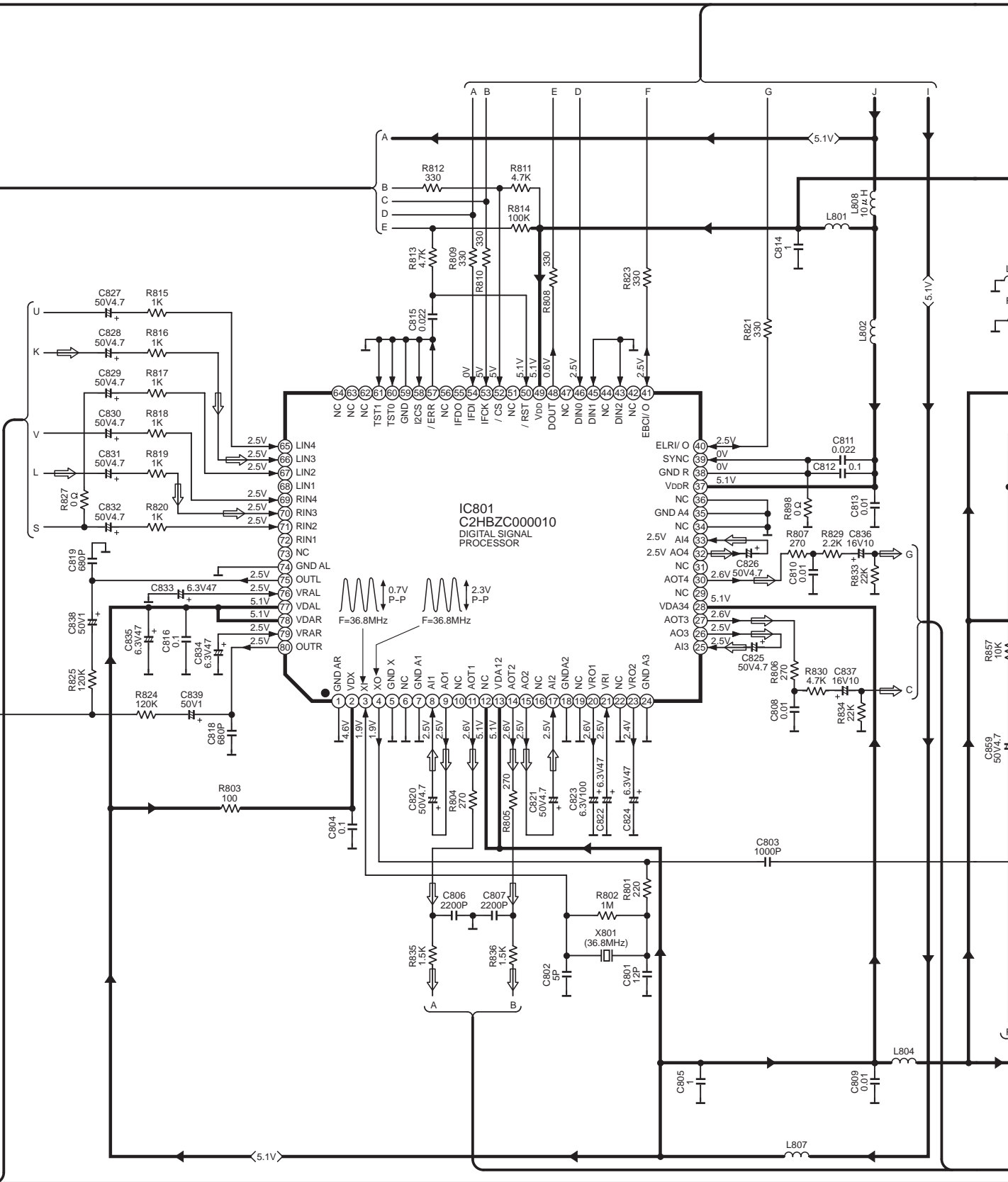
To FL CIRCUIT(FW602B)
on SCHEMATIC DIAGRAM-1/11,12-D

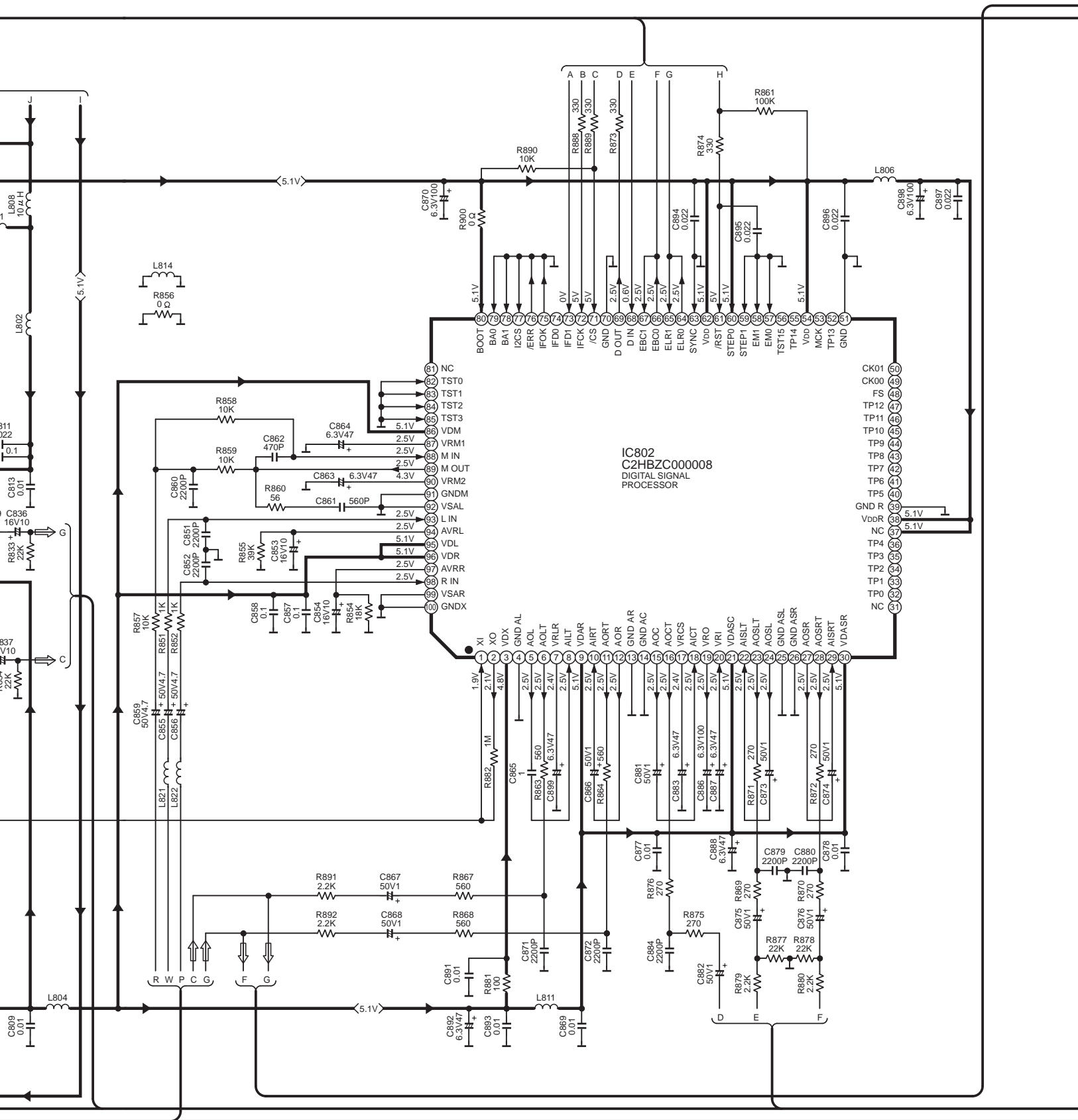


SCHEMATIC DIAGRAM-3

B MAIN CIRCUIT

➔ : POSITIVE VOLTAGE LINE ⇨ : CD PLAYBACK SIGNAL LINE



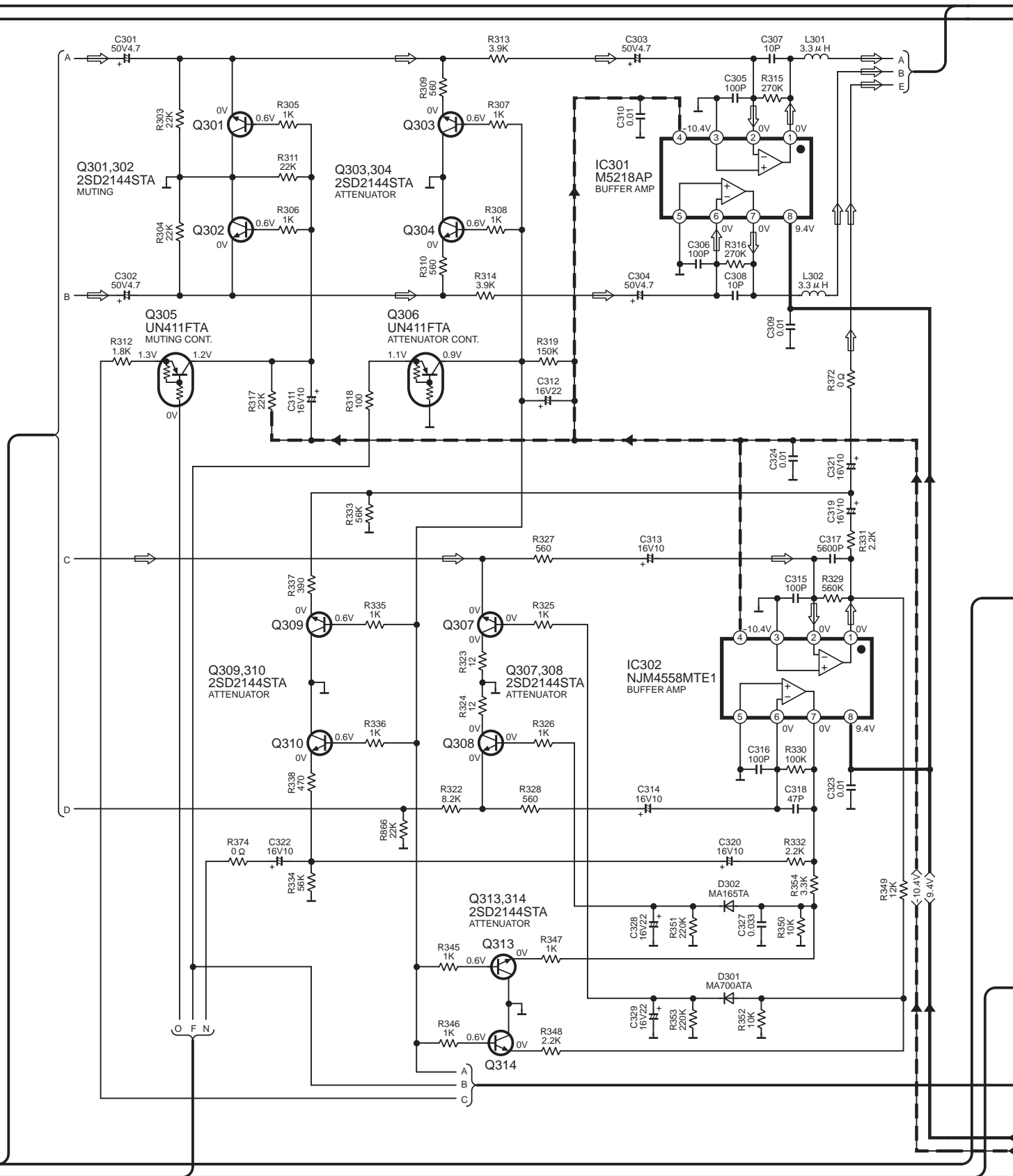


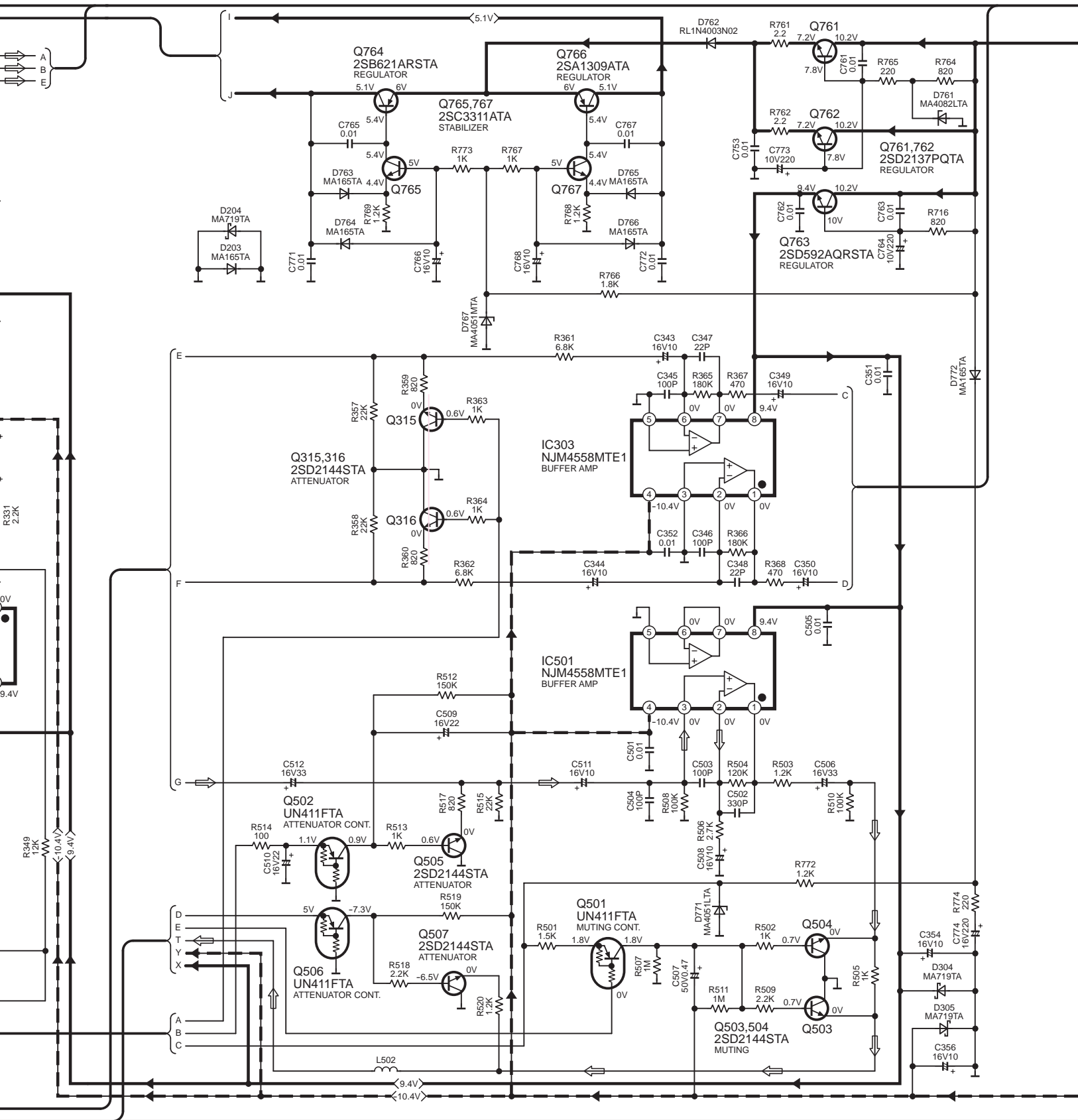
SH-EH790(E) MAIN CIRCUIT DIAGRAM

SCHEMATIC DIAGRAM-4

B MAIN CIRCUIT

→ : POSITIVE VOLTAGE LINE - - - - - : NEGATIVE VOLTAGE LINE ⇨ : CD PLAYBACK SIGNAL LINE



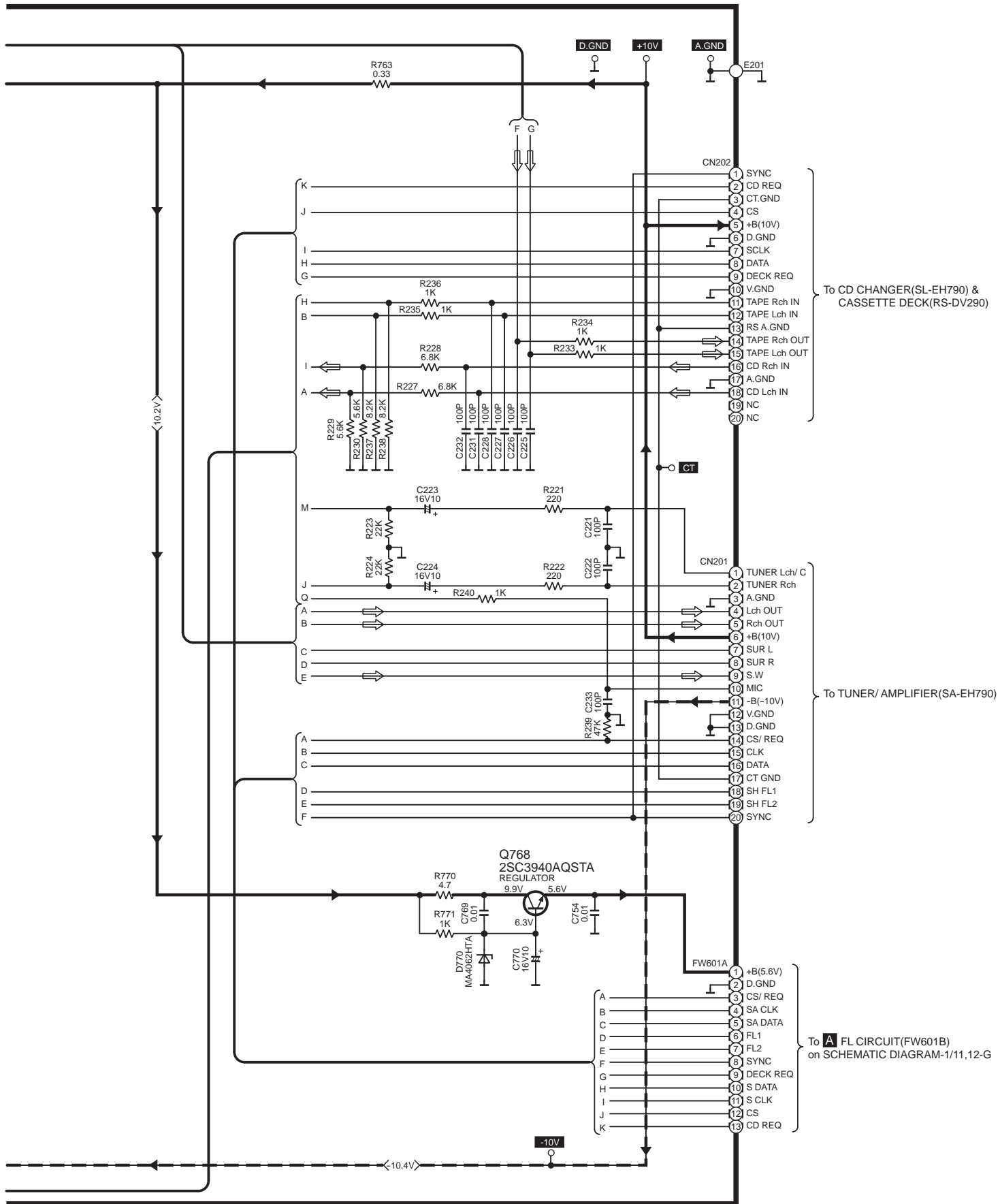


SH-EH790(E) MAIN CIRCUIT DIAGRAM

SCHEMATIC DIAGRAM-5

B MAIN CIRCUIT

: POSITIVE VOLTAGE LINE : CD PLAYBACK SIGNAL LINE
 : NEGATIVE VOLTAGE LINE



SH-EH790(E) MAIN CIRCUIT DIAGRAM



790) &
-DV290)

A-EH790)

)
/11,12-G

H

G

F

E

D

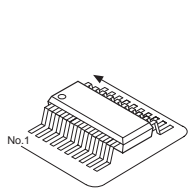
C

B

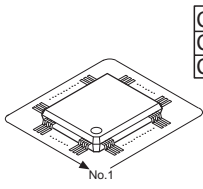
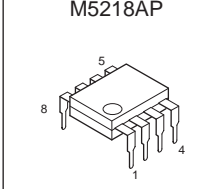
A

42 | 43 | 44 | 45 | 46 | 47 | 48

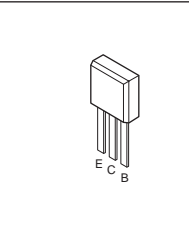
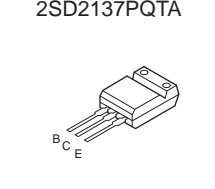




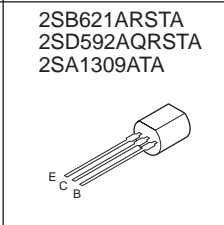
BU4053BCFE2	16PIN
M62457AFPE1	16PIN
NJU7313AMT2	30PIN
C2BBFD000246	42PIN
NJM4558MTE1	8PIN



C2BBGF000434	100PIN
C2HBZC000010	80PIN
C2HBZC000008	100PIN



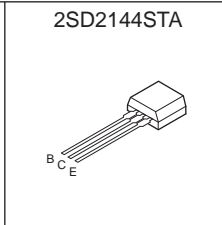
2SC3311ATA
UN4211TA
UN411FTA



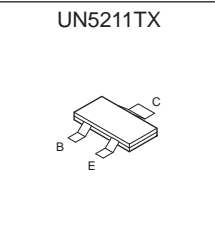
2SB621ARSTA
2SD592AQRSTA
2SA1309ATA



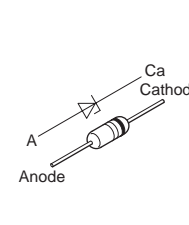
2SC3940AQSTA



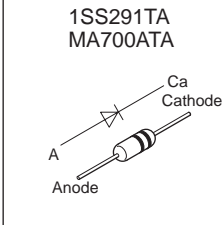
2SD2144STA



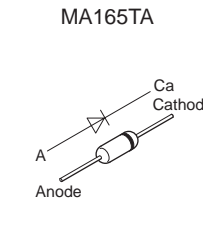
UN5211TX



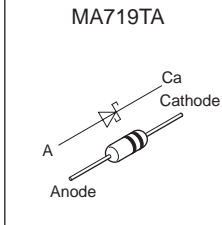
MA4051LTA
MA4062HTA
MA4082LTA
MA4051MTA
MA4056MTA



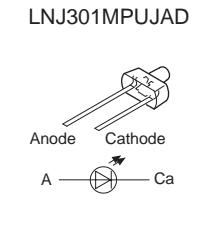
1SS291TA
MA700ATA



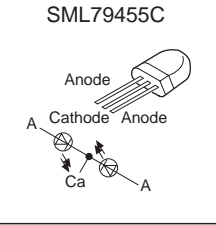
MA165TA



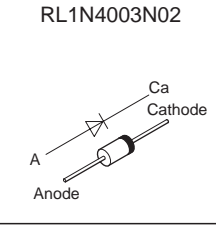
MA719TA



LNJ301MPUJAD



SML79455C



RL1N4003N02

