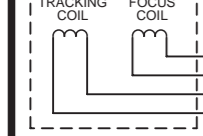


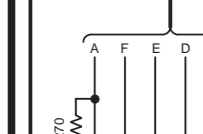
MD OPTICAL PICK-UP

→ POSITIVE VOLTAGE LINE ⇨ PLAYBACK SIGNAL LINE

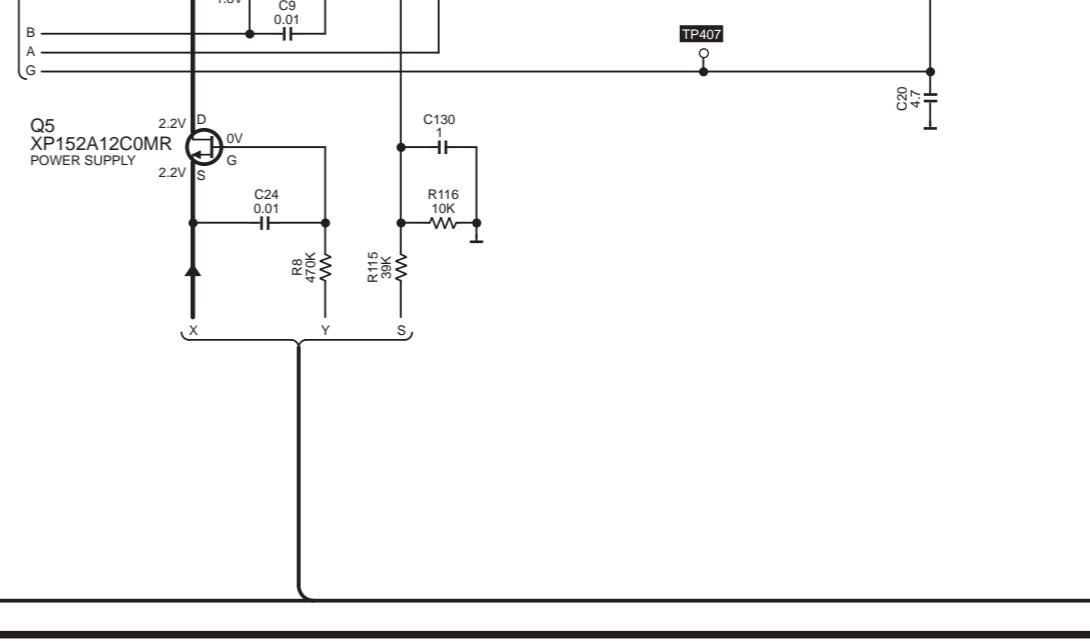
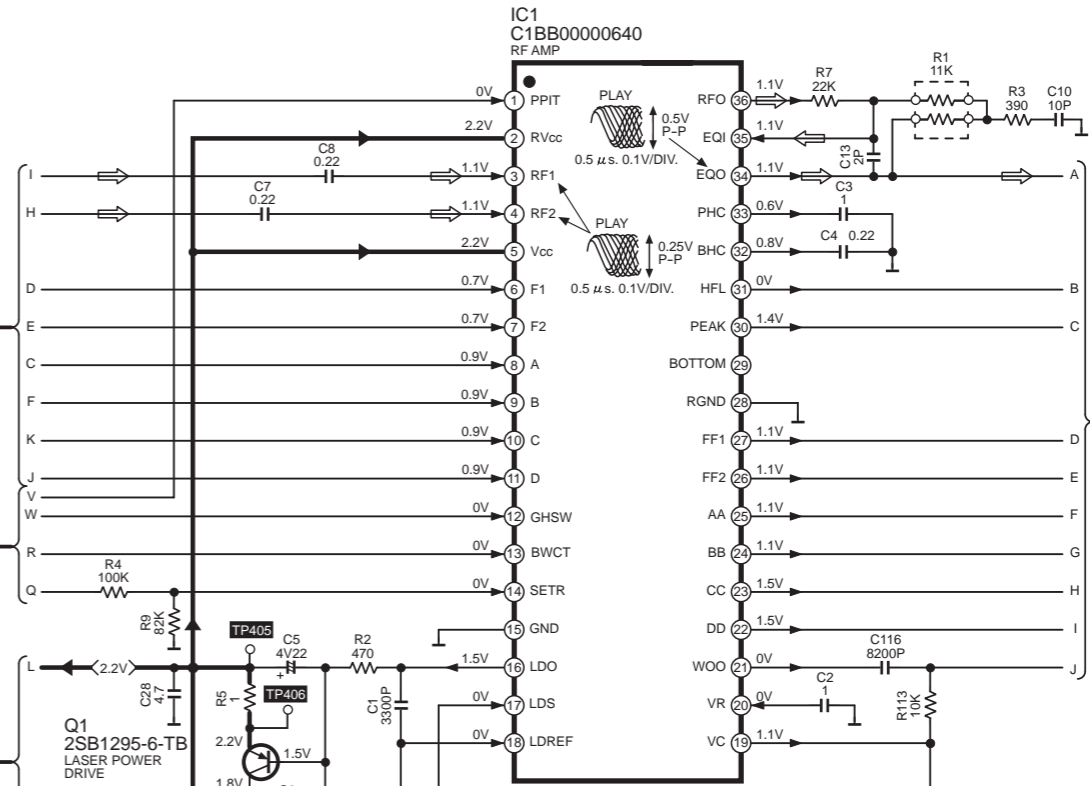
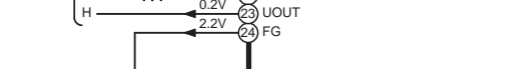
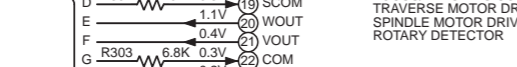
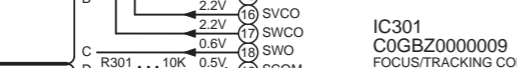
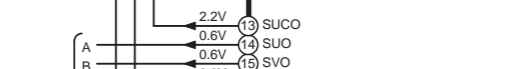
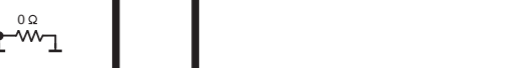
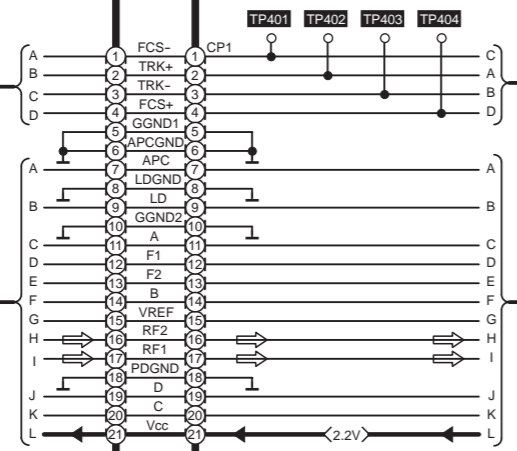
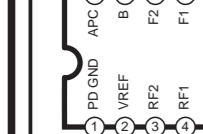
TRACKING COIL FOCUS COIL

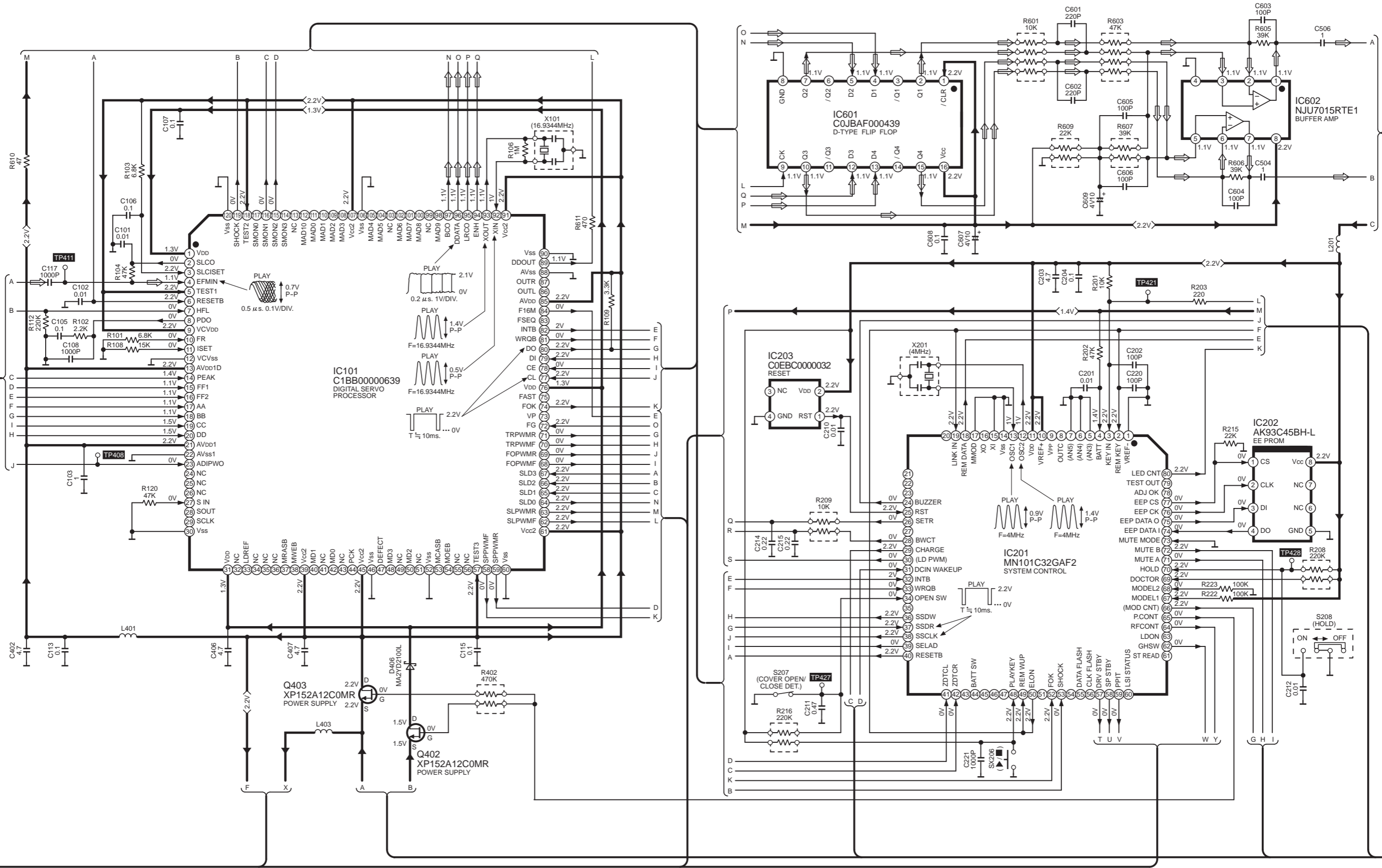


SPINDLE MOTOR

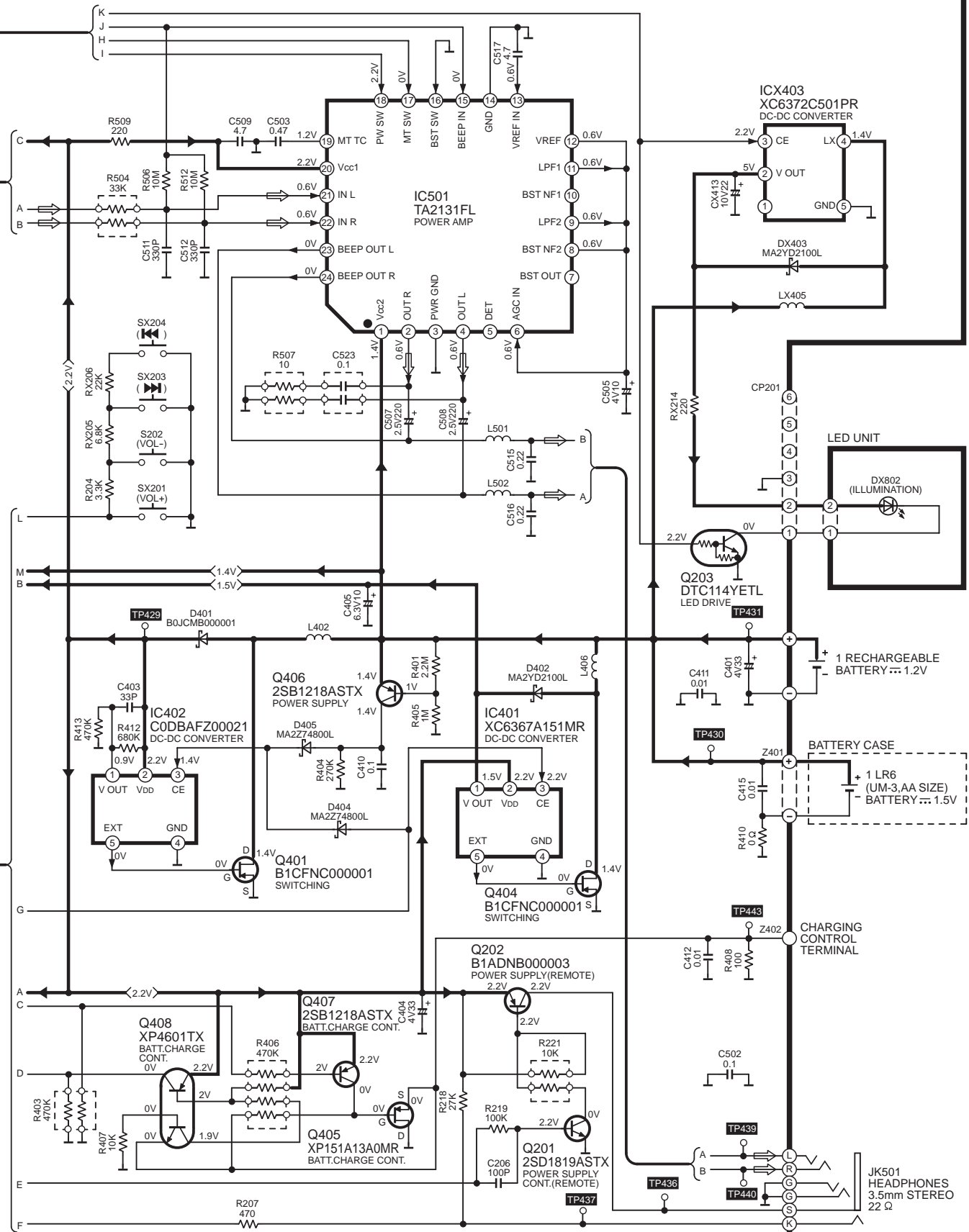


TRAVERSE MOTOR





→ : POSITIVE VOLTAGE LINE    ⇨ : PLAYBACK SIGNAL LINE



SJ-MJ50(EB) CIRCUIT DIAGRAM

H  
G  
F  
E  
D  
C  
B  
A