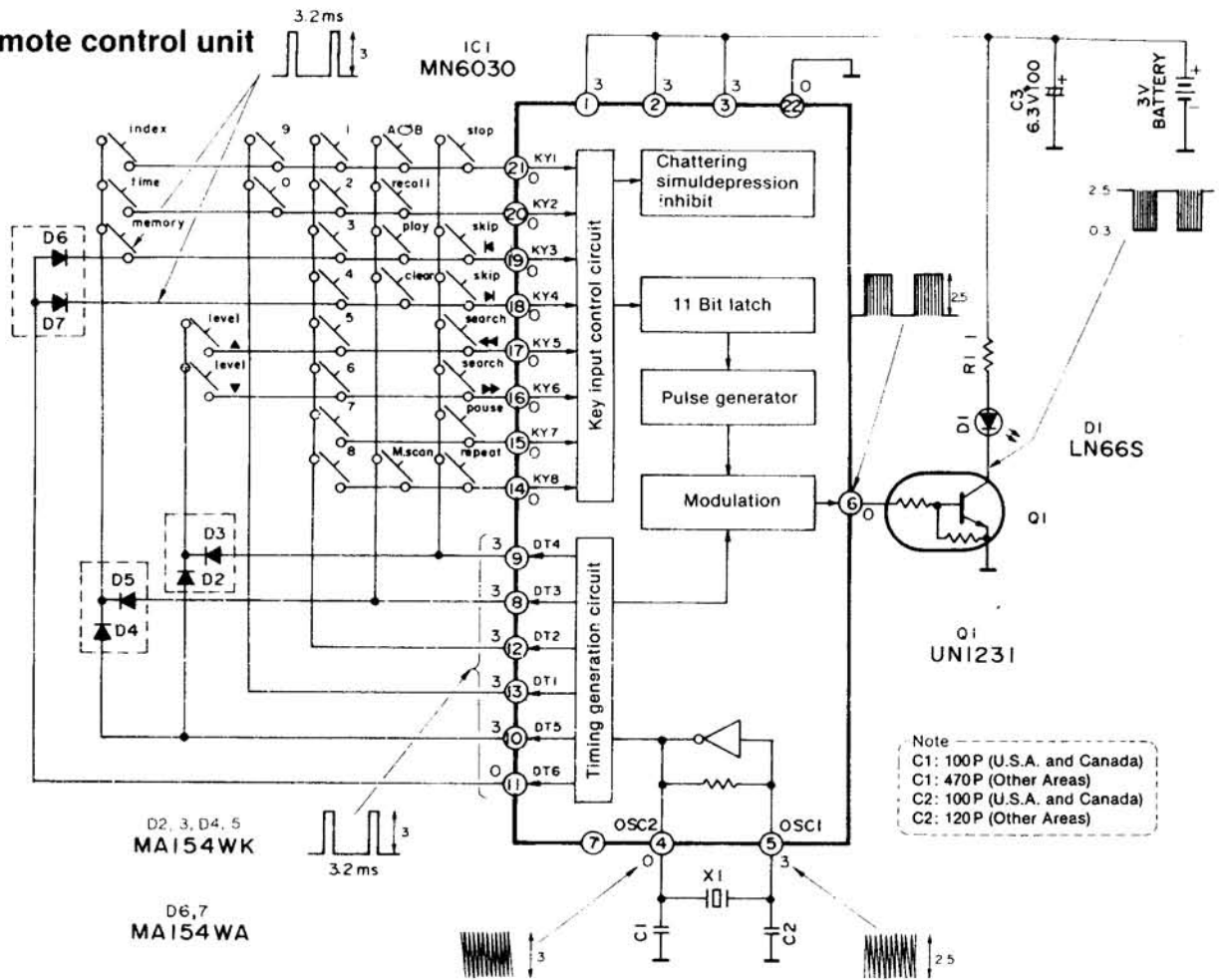


• Remote control unit

A

B

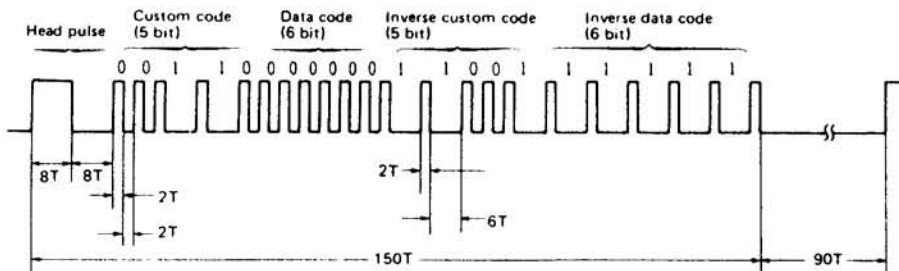
C



Note
 C1: 100P (U.S.A. and Canada)
 C1: 470P (Other Areas)
 C2: 100P (U.S.A. and Canada)
 C2: 120P (Other Areas)

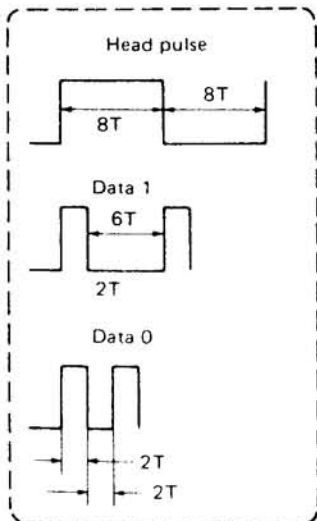
• Remote control data code

D



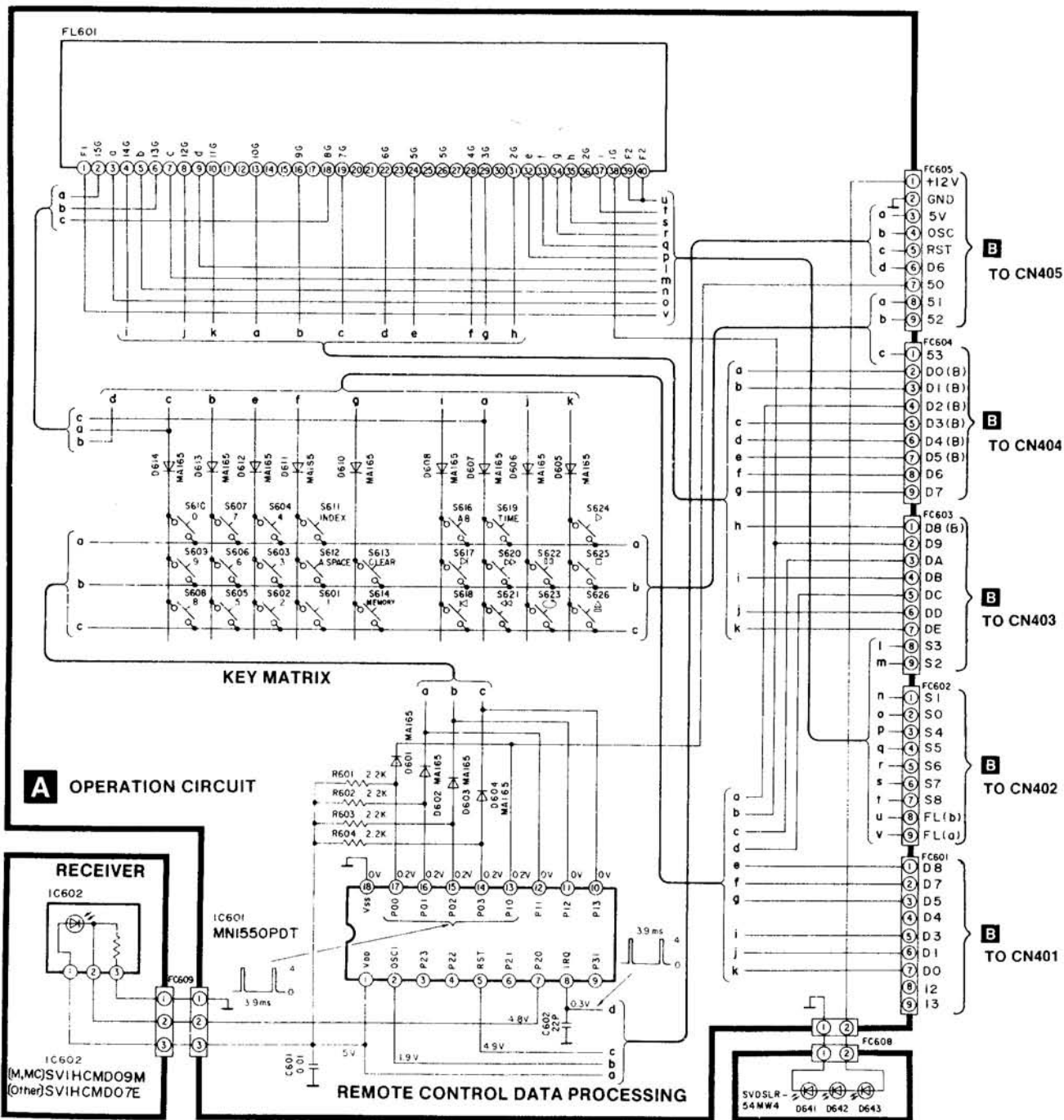
*1T = 0.420ms~0.424ms (U.S.A. and Canada)
 1T = 0.454ms~0.460ms (Europe and Others)

E



F

Button	Data Code	Button	Data Code
1	0 0 0 0 1 0	clear	1 1 0 1 0 0
2	1 0 0 0 1 0	A-B repeat	0 0 0 1 0 0
3	0 1 0 0 1 0	repeat	1 1 1 0 0 0
4	1 1 0 0 1 0	M scan	1 1 1 1 0 0
5	0 0 1 0 1 0	recall	1 0 0 1 0 0
6	1 0 1 0 1 0	◀ search	0 0 1 0 0 0
7	0 1 1 0 1 0	search ▶▶	1 0 1 0 0 0
8	1 1 1 0 1 0	◀ skip	0 1 0 0 0 0
9	0 0 0 1 1 0	skip ▶	1 1 0 0 0 0
0	1 0 0 1 1 0	pause	0 1 1 0 0 0
memory	0 1 0 1 0 1	play ▶	0 1 0 1 0 0
index	0 0 0 1 0 1	▼ level	1 0 1 0 0 1
time	1 0 0 1 0 1	level ▲	0 0 1 0 0 1
stop	0 0 0 0 0 0		

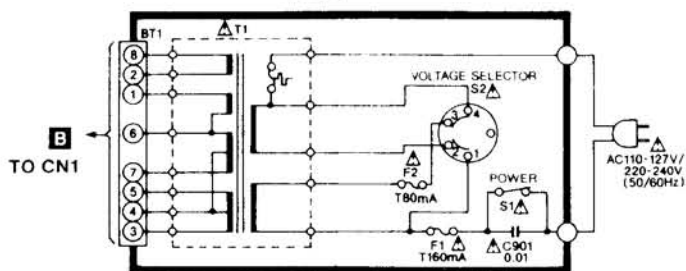
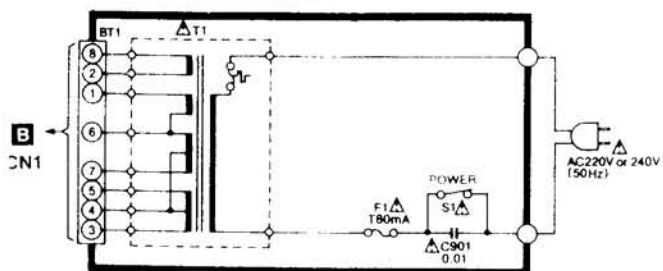


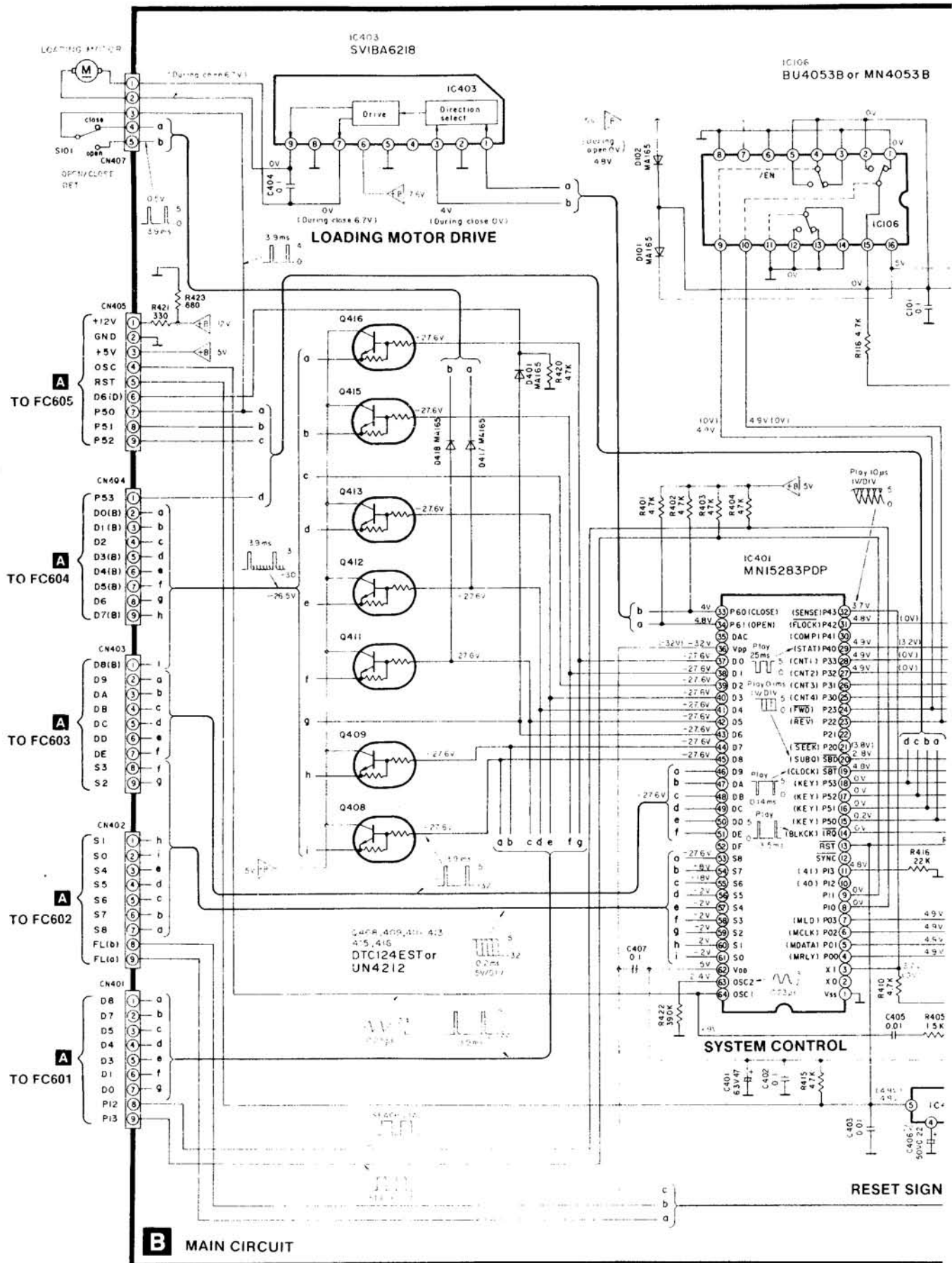
• Power supply circuit
(For Continental Europe and Australia)

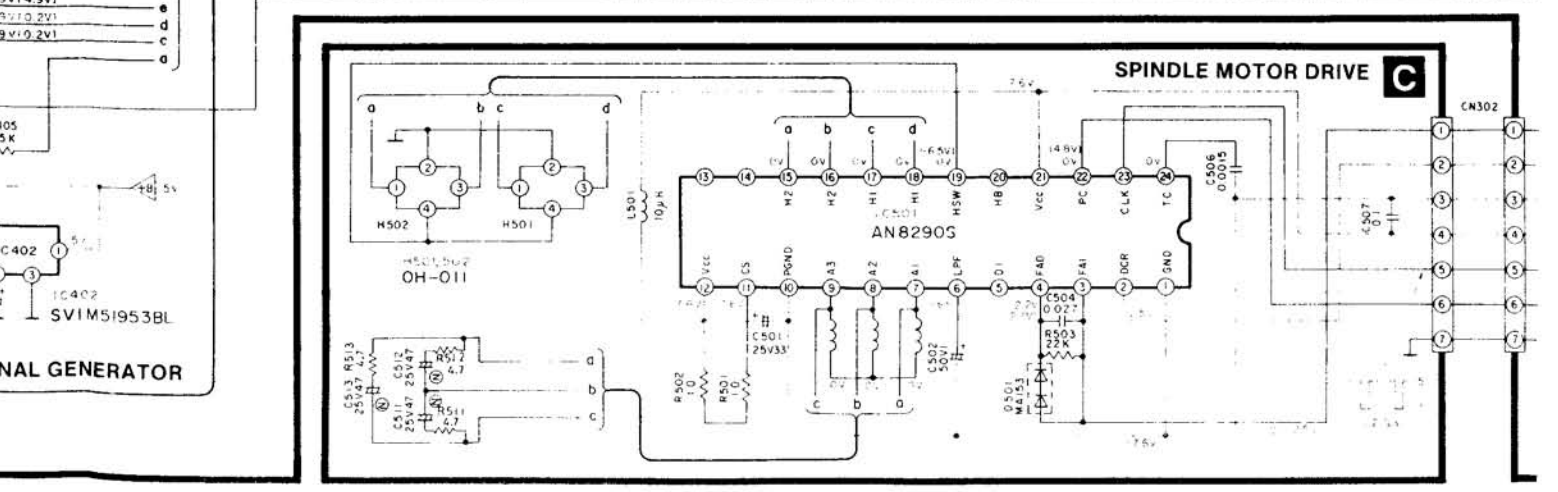
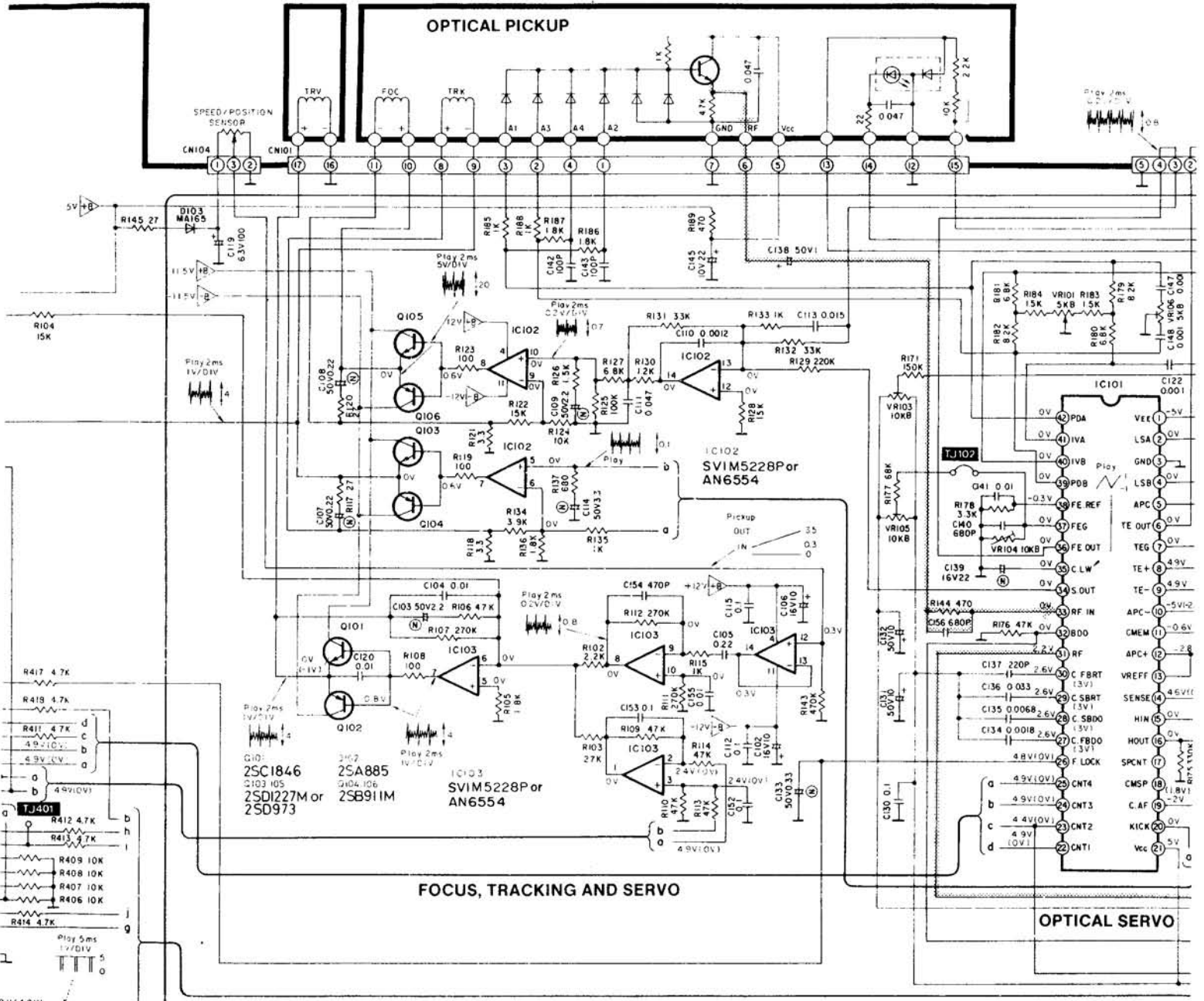
• Power supply circuit
(For others)

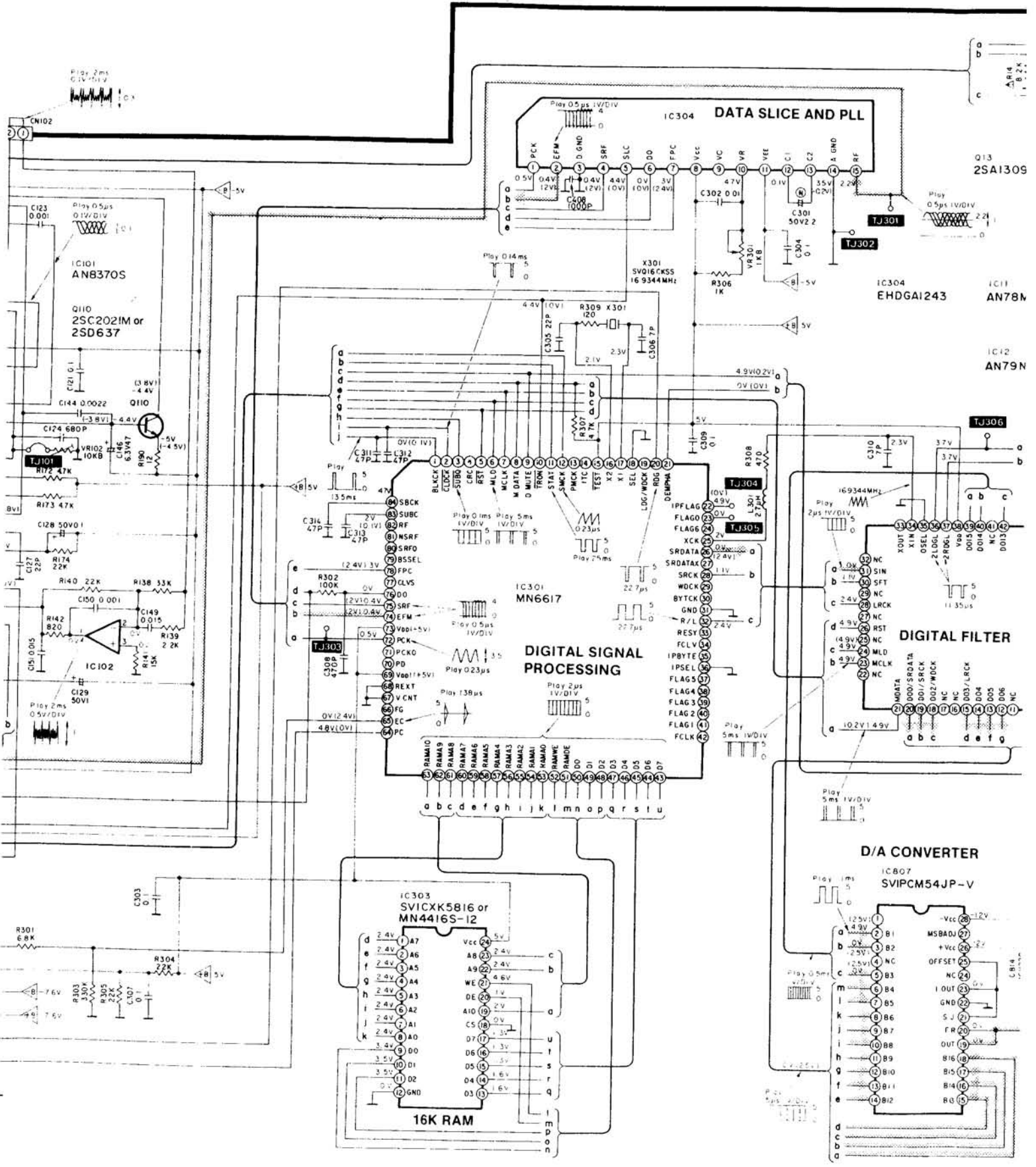
E

E

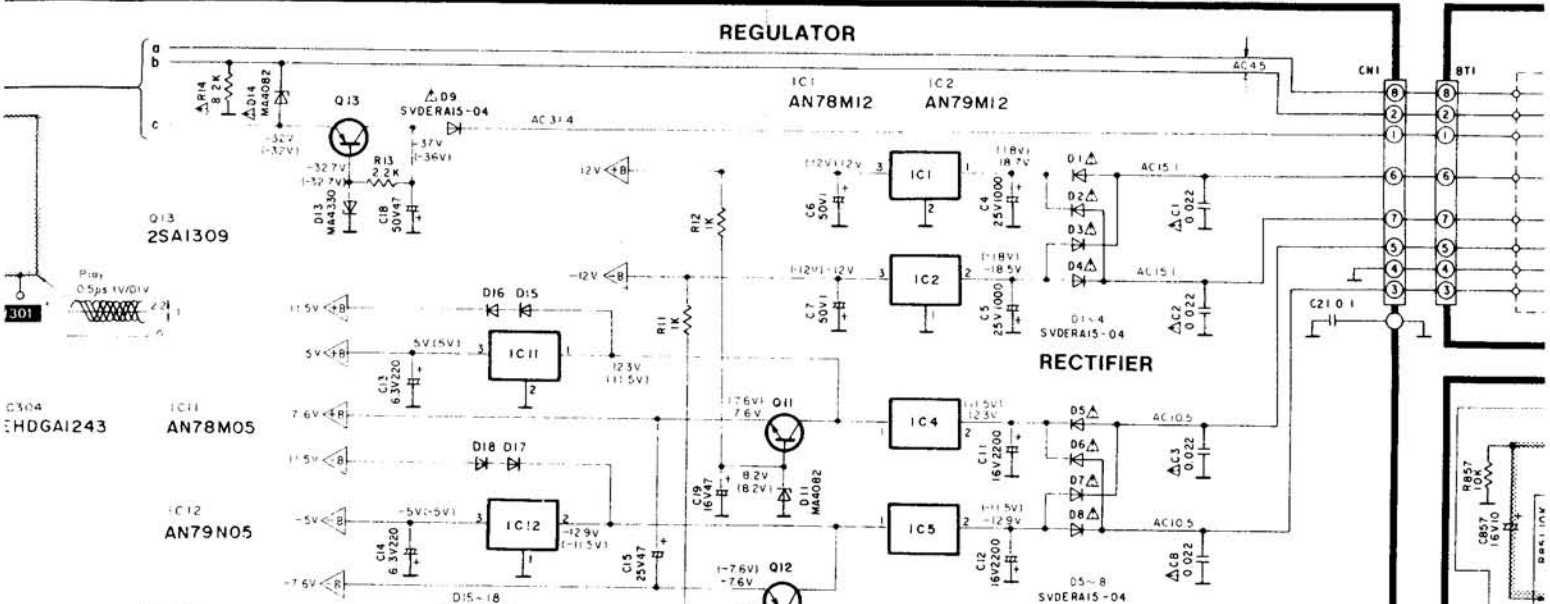






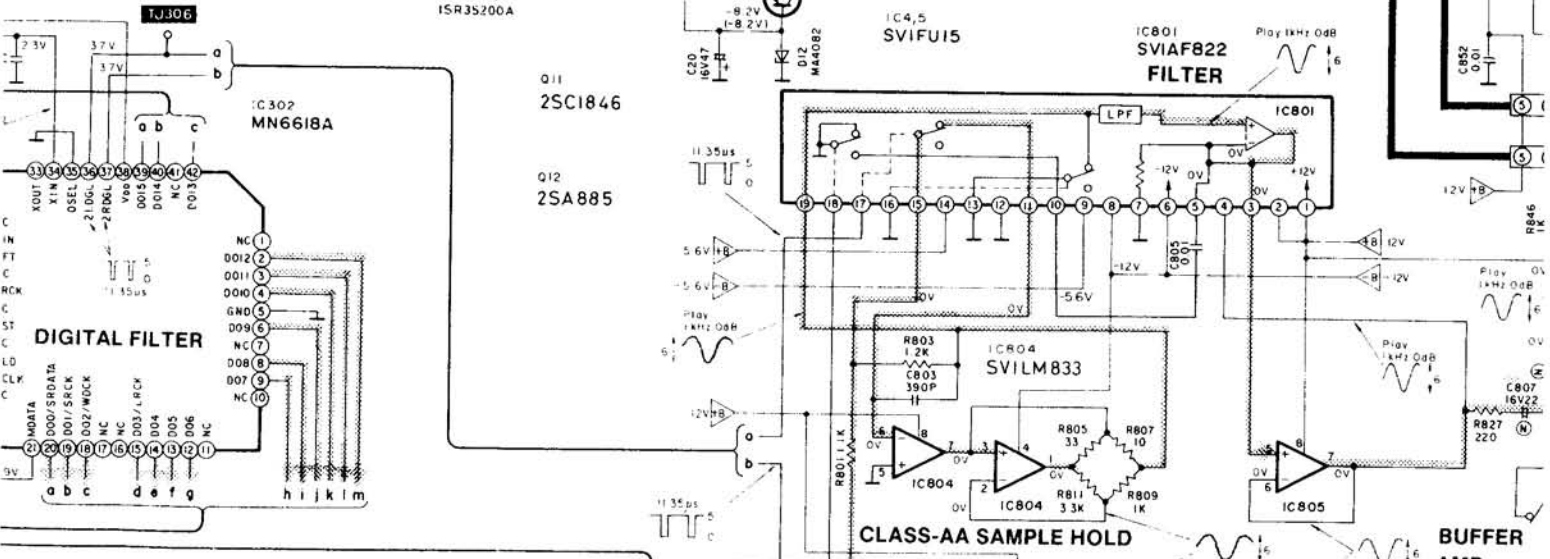


REGULATOR

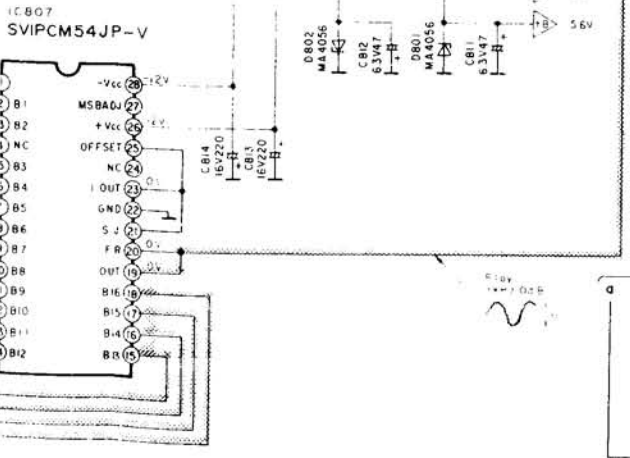


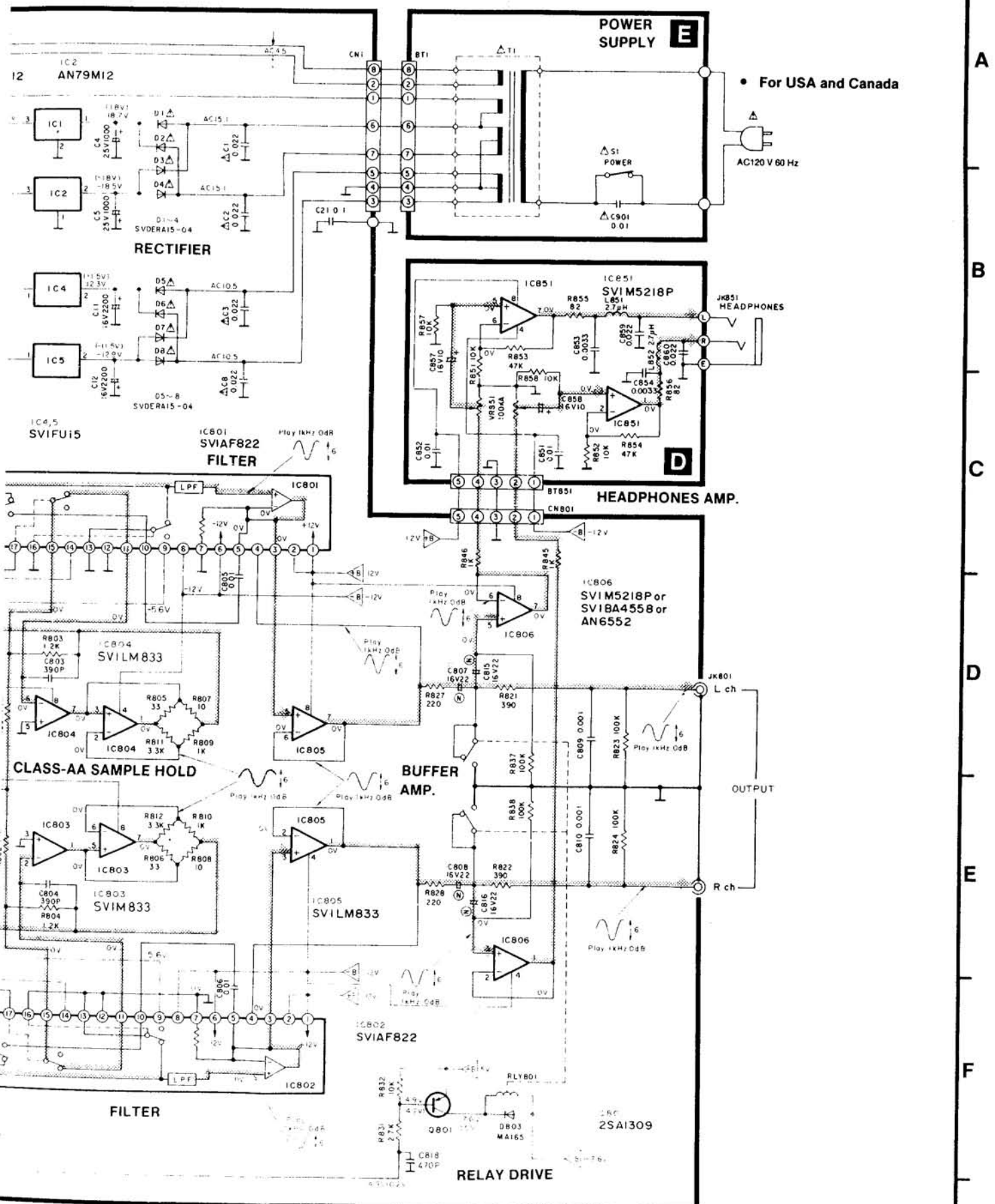
RECTIFIER

FILTER



A CONVERTER





• For USA and Canada

A
B
C
D
E
F

POWER SUPPLY

RECTIFIER

HEADPHONES AMP.

FILTER

CLASS-AA SAMPLE HOLD

BUFFER AMP.

FILTER

RELAY DRIVE



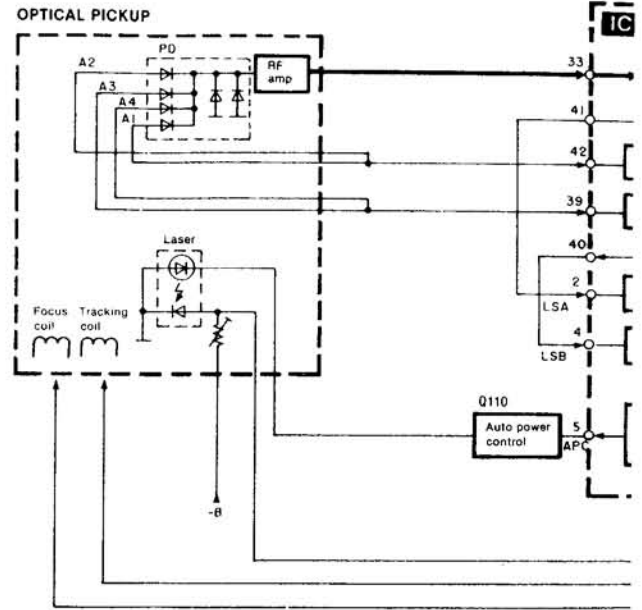
OUTPUT



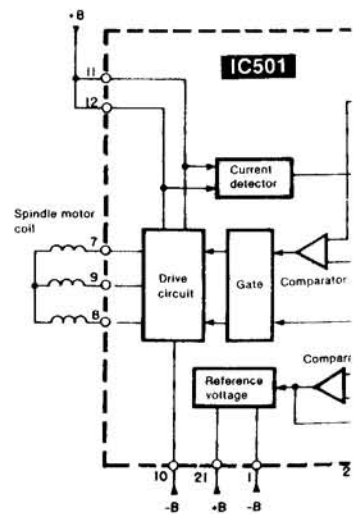
F

■ BLOCK DIAGRAM

OPTICAL SERVO (FOCUS, TRACKING and LASER POWER CONTR



SPINDLE MOTOR DRIVE



■ BLOCK DIAGRAM

