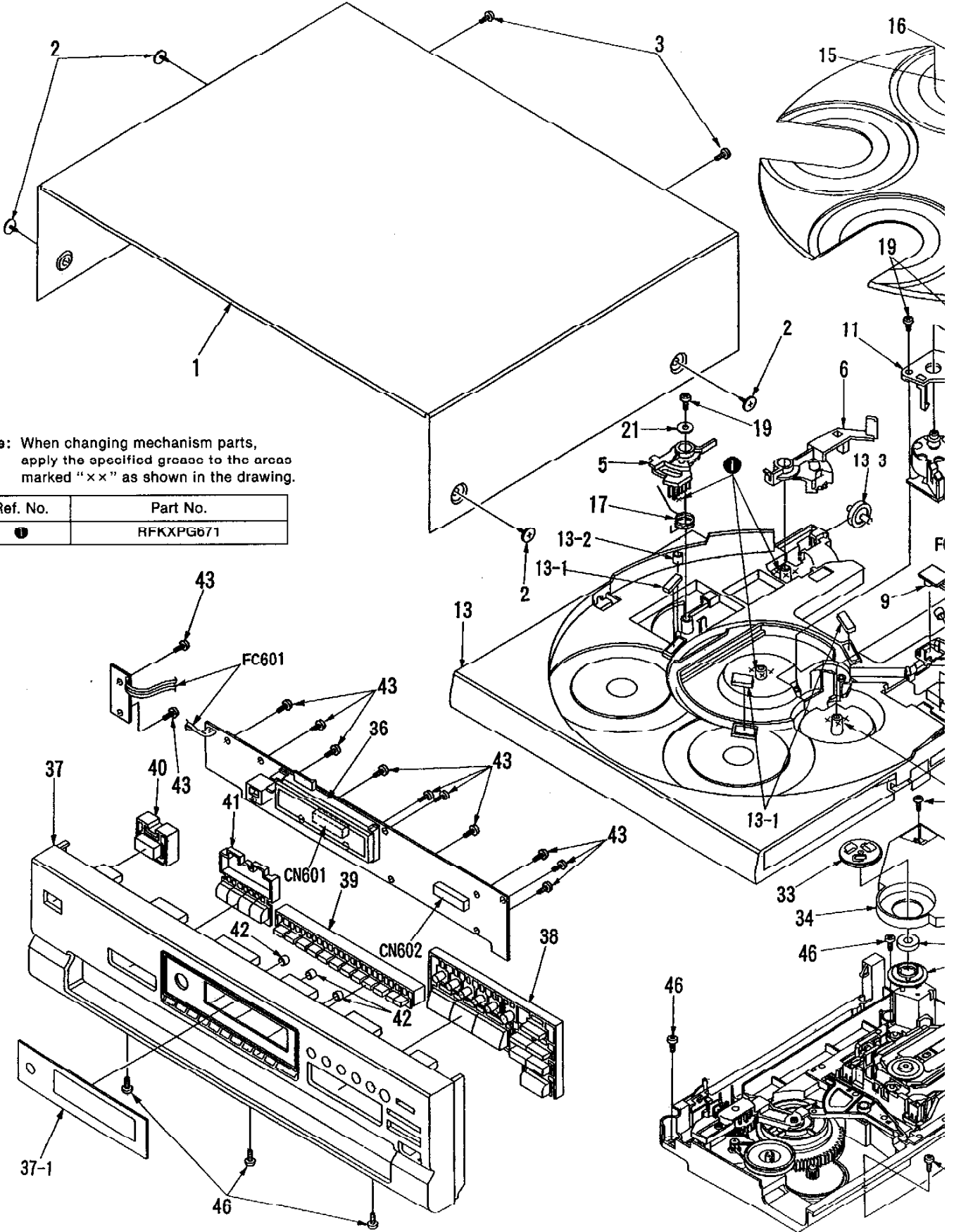


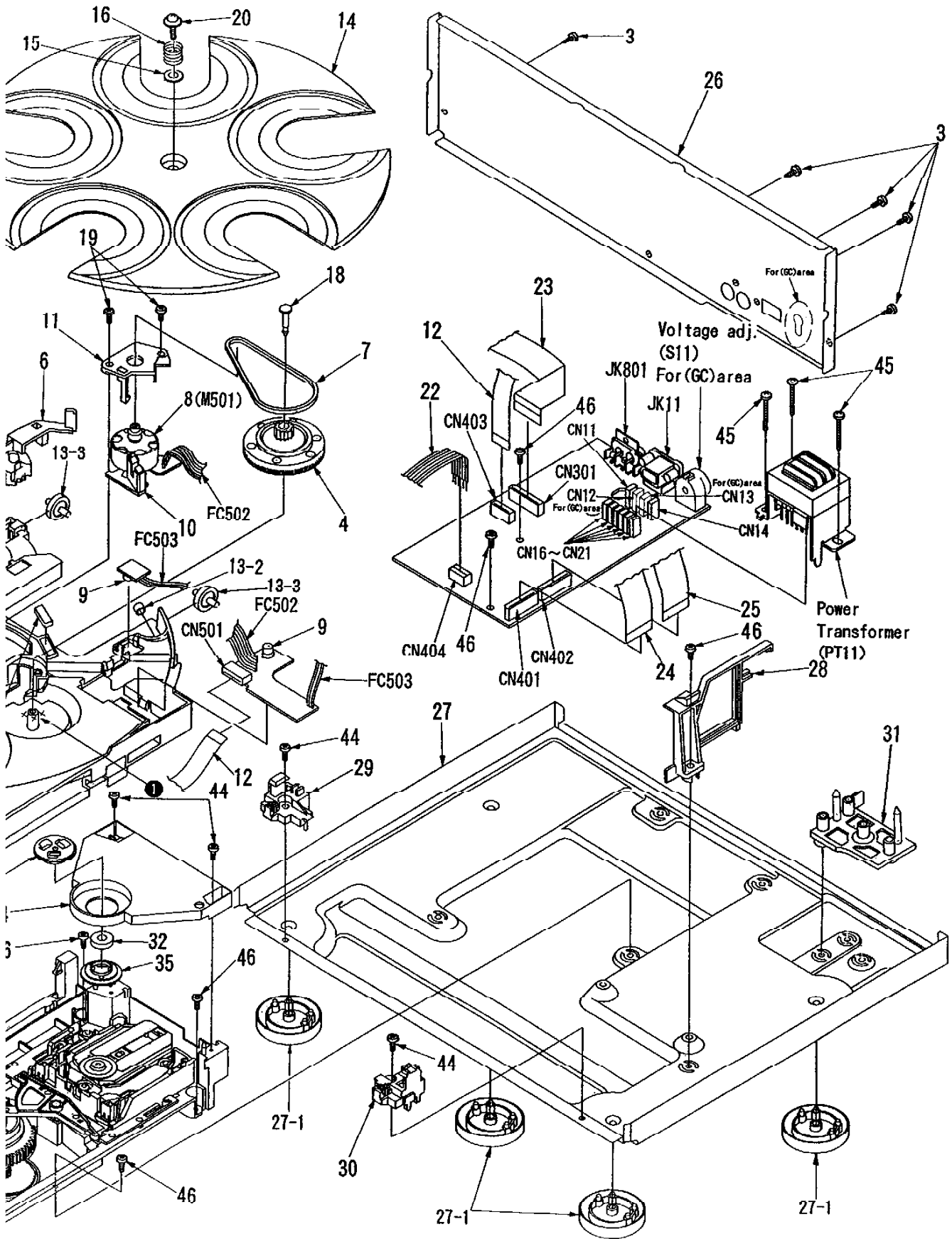
■ CABINET PARTS LOCATION

A
B
C
D
E
F
G

Note: When changing mechanism parts, apply the specified grease to the areas marked "x x" as shown in the drawing.

Ref. No.	Part No.
●	RFKXPG671





LOADING MECHANISM PARTS

A

B

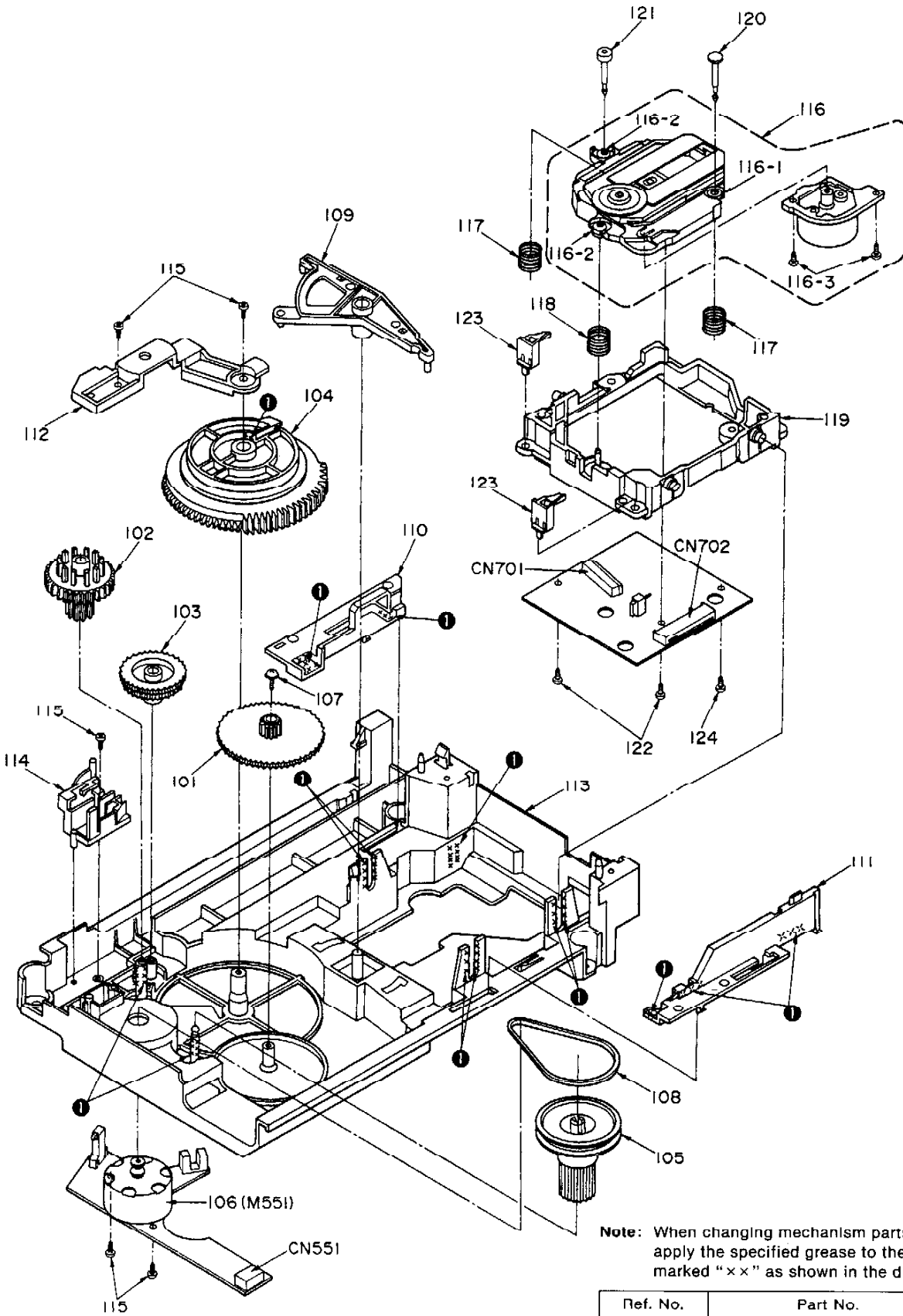
C

D

E

F

G



Note: When changing mechanism parts, apply the specified grease to the areas marked "x" as shown in the drawing.

Ref. No.	Part No.
①	RFKXPG671