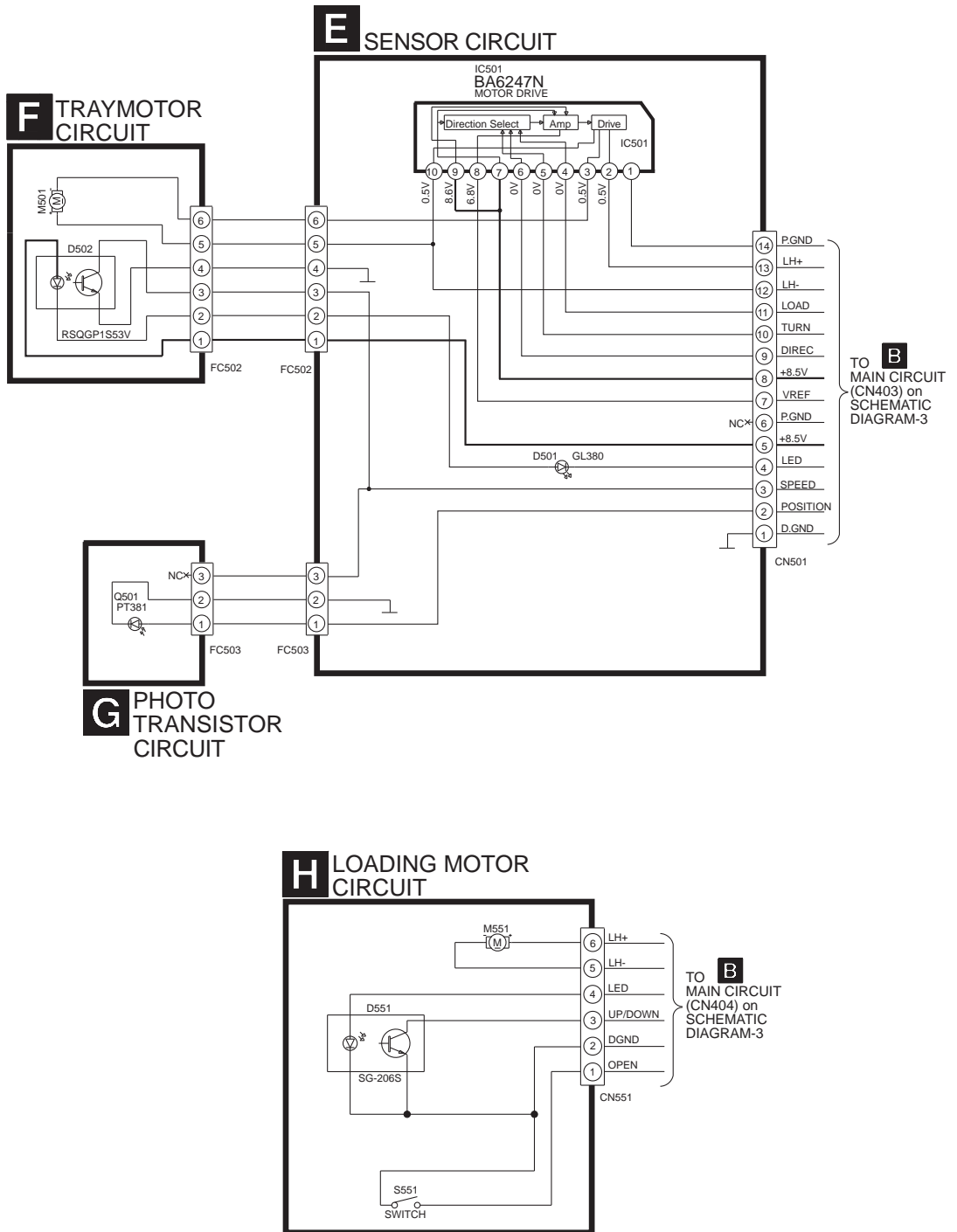


# SCHEMATIC DIAGRAM-6

— : +B Signal line



# SCHEMATIC DIAGRAM-3

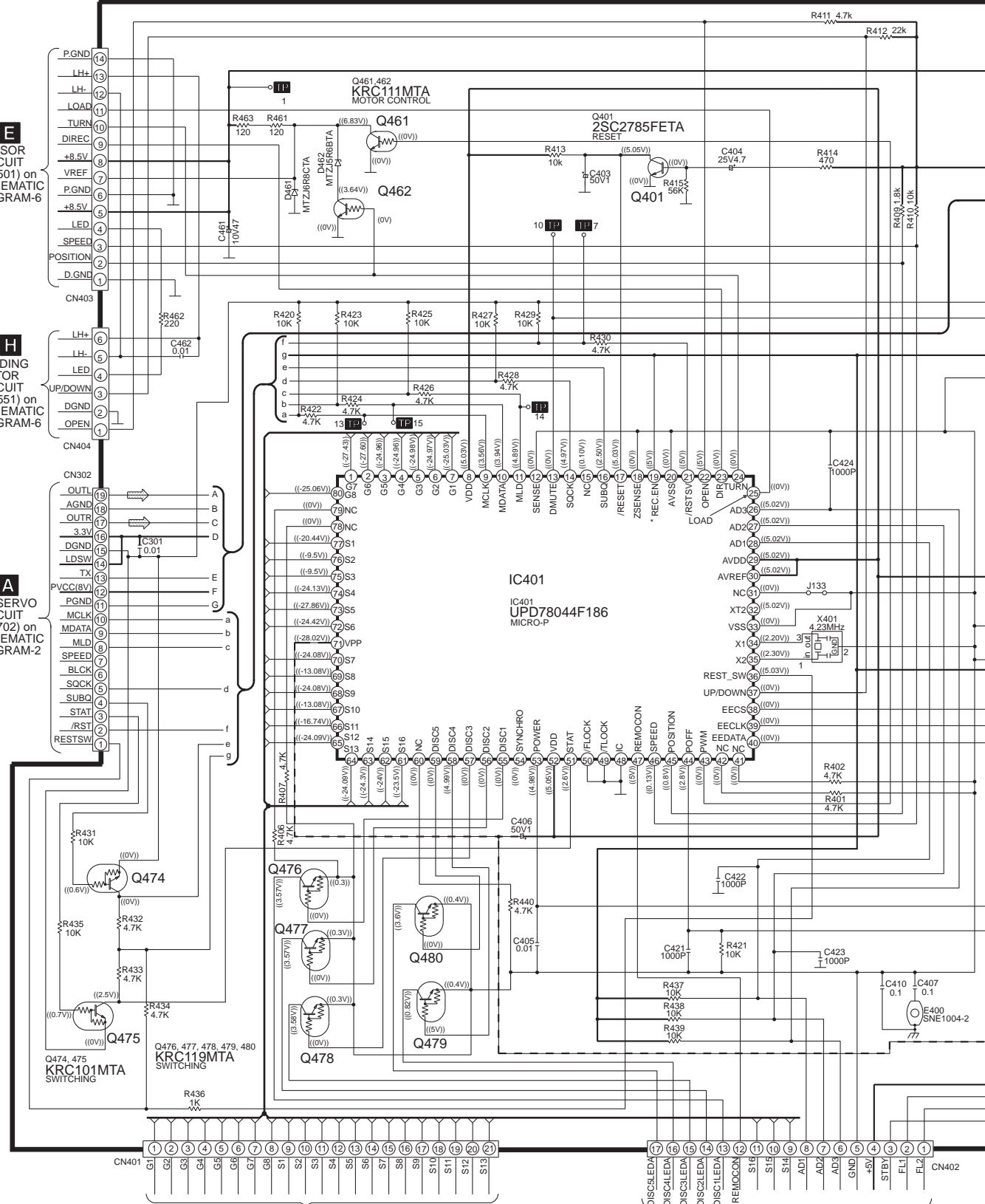
## B MAIN CIRCUIT

— : +B Signal Line    - - - : -B Signal Line    ⇨ : CD Signal Line

TO **E** SENSOR CIRCUIT (CN501) on SCHEMATIC DIAGRAM-6

TO **H** LOADING MOTOR CIRCUIT (CN551) on SCHEMATIC DIAGRAM-6

TO **A** CD SERVO CIRCUIT (CN702) on SCHEMATIC DIAGRAM-2

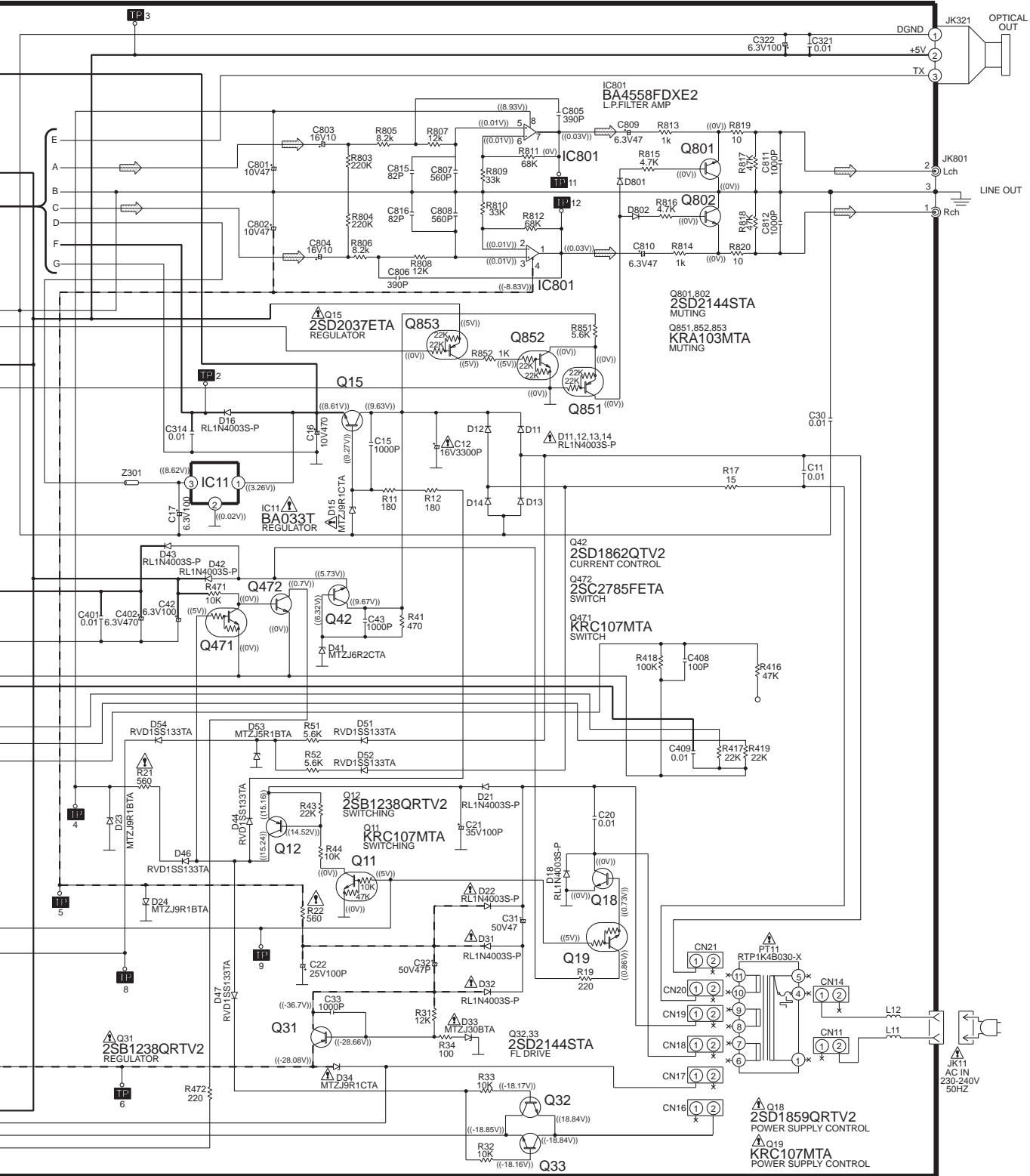


TO **C** PANEL CIRCUIT (CN601) on SCHEMATIC DIAGRAM-5

TO **C** PANEL CIRCUIT (CN602) on SCHEMATIC DIAGRAM-5

# SCHEMATIC DIAGRAM-4

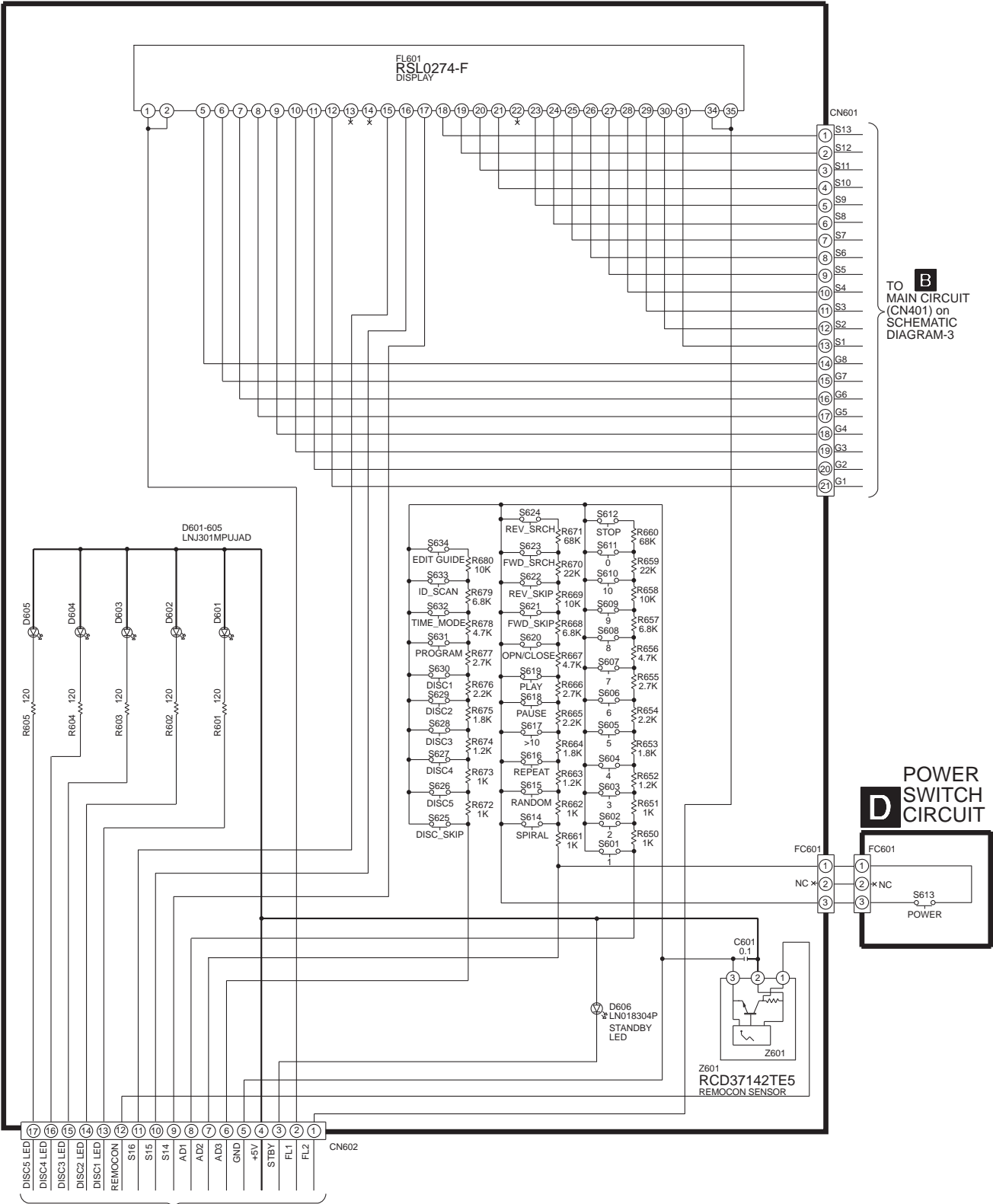
— : +B Signal Line    - - - : -B Signal Line    ⇨ : CD Signal Line



SCHEMATIC DIAGRAM-5

**C** PANEL CIRCUIT

— : +B Signal Line

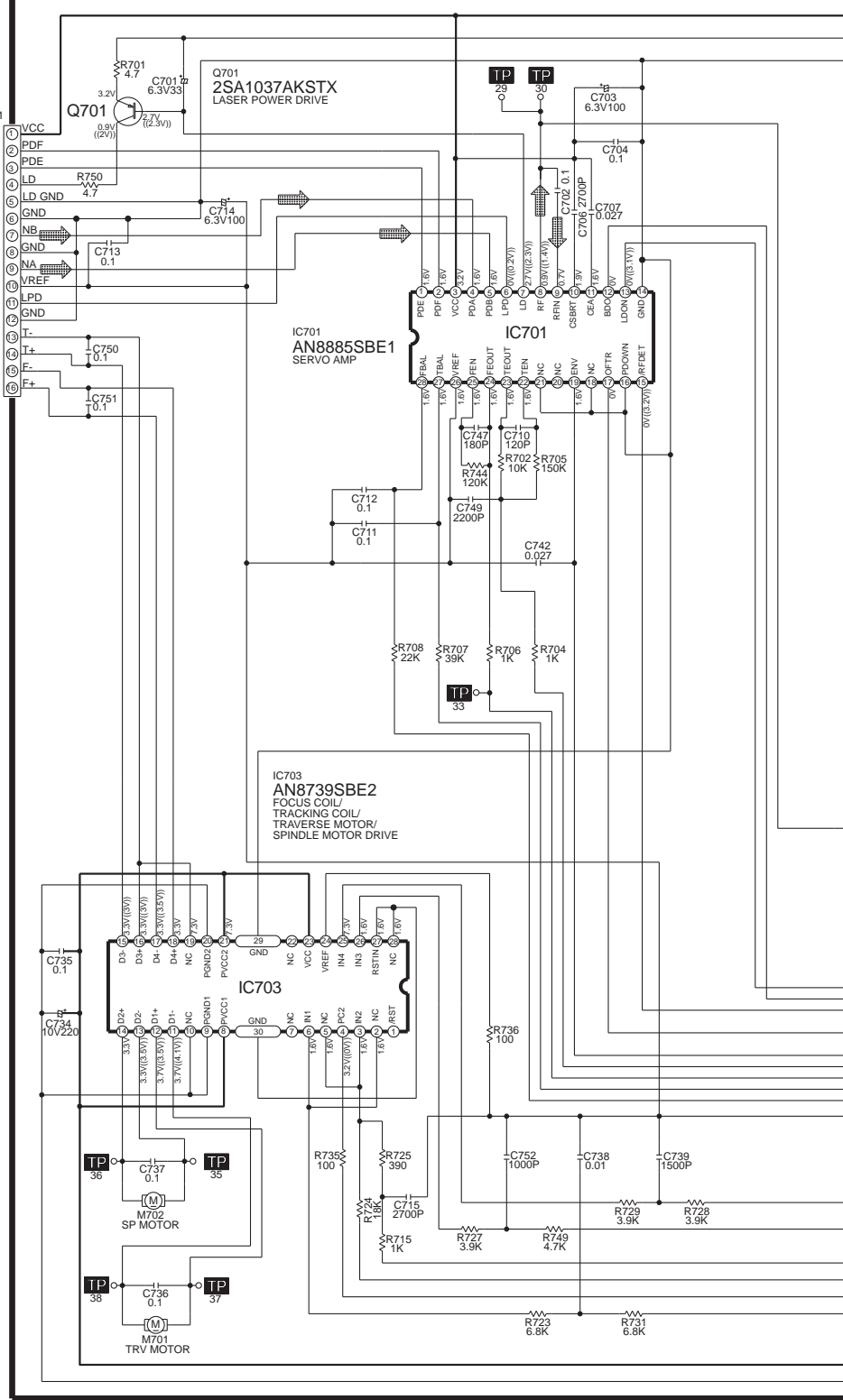
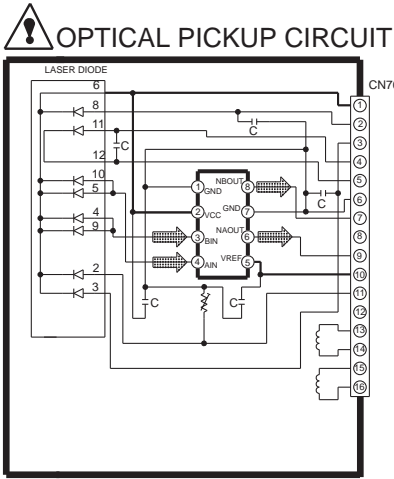


**B**  
TO MAIN CIRCUIT  
(CN401) on  
SCHEMATIC  
DIAGRAM-3

**D**  
POWER  
SWITCH  
CIRCUIT

**B**  
TO MAIN CIRCUIT  
(CN402) on  
SCHEMATIC  
DIAGRAM-3

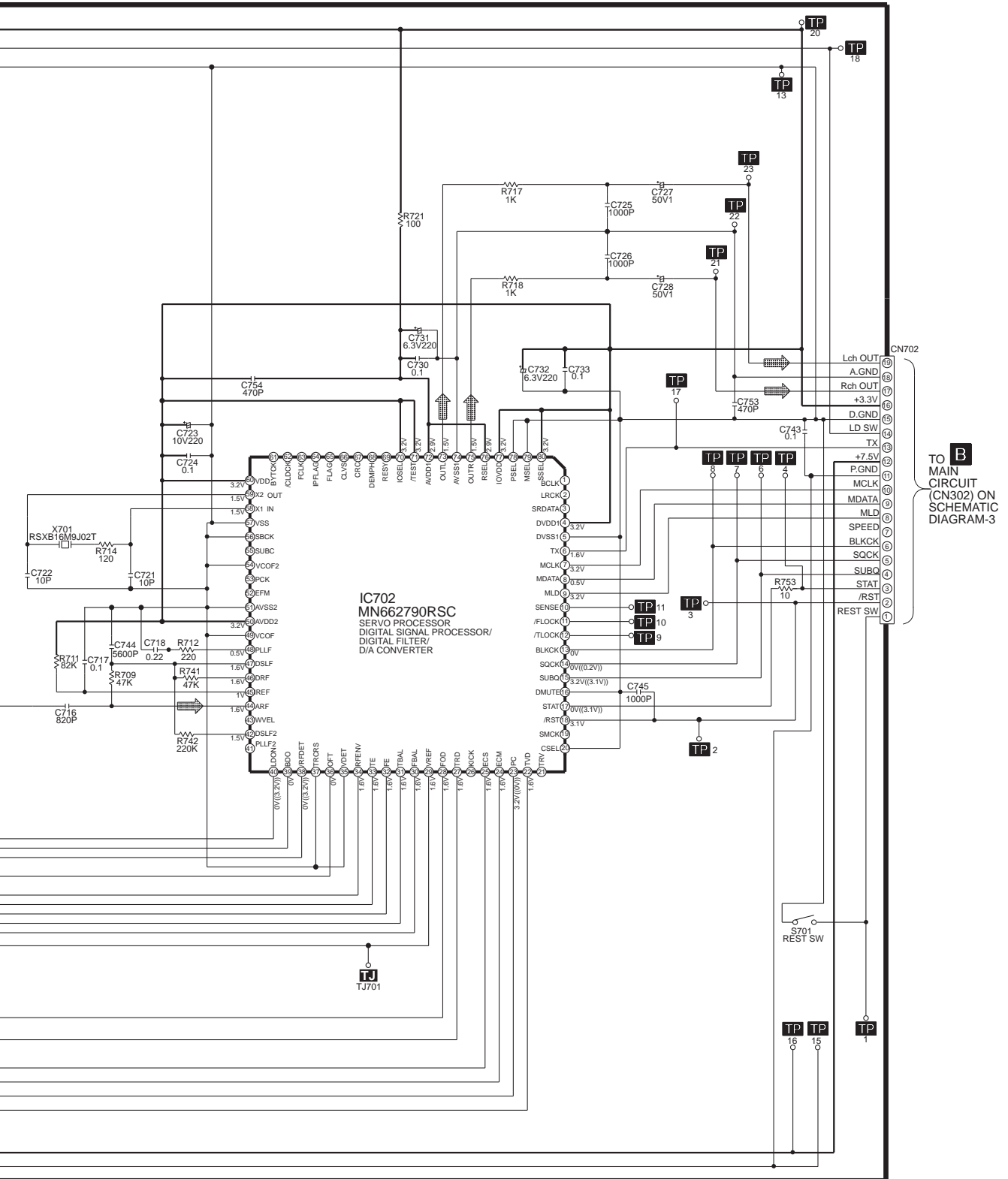
**A** CD SERVO CIRCUIT



# SCHEMATIC DIAGRAM - 2

— : +B SIGNAL LINE

▢ : CD SIGNAL LINE



TO MAIN  
CIRCUIT  
(CN302) ON  
SCHEMATIC  
DIAGRAM-3