

Service Manual

Compact Disc Player

COMPACT
disc
DIGITAL AUDIO

MASH
multi-stage noise shaping



SL-PG3

Traverse Deck: RAE0155Z Mechanism Series

Colour

(K).....Black Type

Areas

(E).....Europe, East Europe and CIS.

(EB).....Great Britain.

(EG).....Europe.

Specifications

Audio

No. of channels:	2 (left and right, stereo)
Frequency response:	2 – 20,000 Hz, ± 1 dB
Output voltage:	2 V (at 0 dB)
Dynamic range:	94 dB
S/N:	100 dB
Harmonic distortion:	0.004 % (1 kHz, 0 dB)
Total harmonic distortion:	0.005 % (1 kHz, 0 dB)
Wow and flutter:	Below measurable limit
DA converter:	MASH (1 bit)
Output impedance:	Approximate 1 k Ω
Load impedance:	More than 10 k Ω
Headphone output level:	15 mW max. 32 Ω (adjustable)

Pickup

Wavelength:	780 nm
Laser Power:	No hazardous radiation is emitted

General

Power supply:	AC 230 – 240 V, 50 Hz
Power consumption:	9 W
Dimensions (W × H × D):	430 × 92 × 290 mm
Mass:	3.1 kg

Notes: Specifications are subject to change without notice.
Mass and dimensions are approximate.

Note on CD-R and CD-RW

This unit can play CD-DA format audio CD-R and CD-RW that have been finalized* upon completion of recording. It may not be able to play some CD-R or CD-RW due to the condition of the recording.

* Finalizing is a process that enables CD-R/CD-RW players to play audio CD-R and CD-RW.

WARNING

This service information is designed for experienced repair technicians only and is not designed for use by the general public. It does not contain warnings or cautions to advise non-technical individuals of potential dangers in attempting to service a product. Products powered by electricity should be serviced or repaired only by experienced professional technicians. Any attempt to service or repair the product or products dealt with in this service information by anyone else could result in serious injury or death.

Technics®

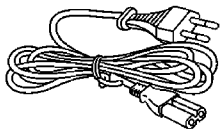
© 2001 Matsushita Electric Industrial Co., Ltd. All rights reserved. Unauthorized copying and distribution is a violation of law.

CONTENTS

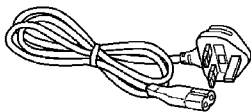
Page	Page
1 Accessories	2
2 Location of Controls	3
3 Handling Precautions for Traverse Deck	3
3.1. Handling of traverse deck (optical pickup)	3
3.2. Grounding for electrostatic breakdown prevention	3
4 Precaution of Laser Diode	4
5 Caution for AC Mains Lead	5
6 Operation Checks and Component Replacement Procedures	6
6.1. Checking for the main P.C.B.	6
6.2. Checking for the CD servo P.C.B.	6
6.3. Checking for the FL P.C.B.	7
6.4. Replacement for the traverse deck ass 馳, drive gear and cam gear	7
6.5. Replacement for the optical pickup	11
6.6. Replacement for the traverse gear (A) and traverse gear (B)	12
7 Self-Diagnostic Function	13
7.1. Servo system self-diagnosis	13
7.2. Mechanism control switches self-diagnosis	14
8 Schematic Diagram Notes	15
9 Schematic Diagram	16
10 Printed Circuit Board Diagram	22
11 Type Illustration of ICs, Transistors and Diodes	25
12 Wiring Connection Diagram	26
13 Block Diagram	27
14 Troubleshooting Guide	30
15 Terminal Function of ICs	32
15.1. IC601 (C2BBFE000100): System Control/FL Drive	32
15.2. IC701(AN8885SBE1): Servo Amp	32
15.3. IC702 (MN662790RSC):Servo Processor/Digital Signal Processor/Digital Filter/D/A converter	32
15.4. IC703 (BA5948FPE2):Focus Coil/Tracking Coil/Traverse Motor/Spindle Motor Drive	33
16 Replacement Parts List	34
17 Cabinet Parts Location	37
18 Loading Unit Parts Location	38
19 Packaging	39

1 Accessories

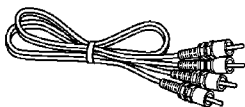
- AC power supply cord for (E), (EG) areas
(RJA0043-1C)..... 1 pc.



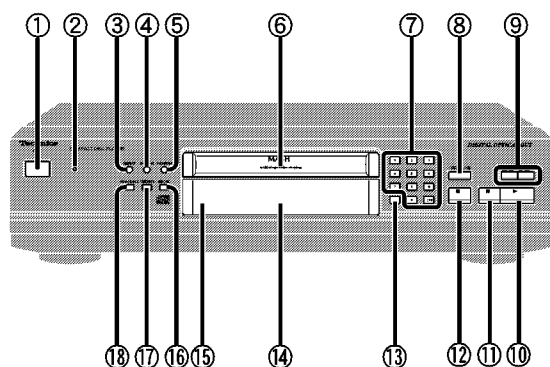
- AC power supply cord for (EB) area
(RJA0044-3C)..... 1 pc.



- Stereo phono cable
(RJL2P004B08A)..... 1 pc.



2 Location of Controls



No.	Name
-----	------

- | | |
|---|---|
| ① | Standby/on switch (⏻ / I)
Press to switch the unit from on to standby mode or vice versa. In standby mode, the unit is still consuming a small amount of power. |
| ② | Standby indicator (⏻)
When the unit is connected to the AC mains supply, this indicator lights up in standby mode and goes out when the unit is turned on. |
| ③ | Repeat button (REPEAT) |
| ④ | Random play button (RANDOM) |
| ⑤ | Program button (PROGRAM) |
| ⑥ | Disc tray |
| ⑦ | Numeric buttons (1-9, 0, ≥10) |
| ⑧ | Disc tray open/close button (▲ OPEN/CLOSE) |
| ⑨ | Skip/search buttons (⏪/⏩ , ⏴/⏵) |
| ⑩ | Play button (▶) |
| ⑪ | Pause button (⏸) |
| ⑫ | Stop button (■) |
| ⑬ | Clear button (CLEAR) |
| ⑭ | Display panel |
| ⑮ | Remote control signal sensor |
| ⑯ | Program recall button (RECALL) |
| ⑰ | Time mode select button (TIME MODE) |
| ⑱ | Peak search button (PEAK SEARCH) |

3 Handling Precautions for Traverse Deck

The laser diode in the traverse deck (optical pickup) may break down due to potential difference caused by static electricity of clothes or human body.

So be careful of electrostatic breakdown during repair of the traverse deck (optical pickup).

3.1. Handling of traverse deck (optical pickup)

1. Do not subject the traverse deck (optical pickup) to static electricity as it is extremely sensitive to electrical shock.
2. To prevent the breakdown of the laser diode, an anti-static shorting pin is inserted into the flexible board (FFC board). When removing or connecting the shorting pin, finish the job in as short time as possible. Refer to Fig. 3-1.
3. Take care not to apply excessive stress to the flexible board (FFC board).
4. Do not turn the variable resistor (laser power adjustment). It has already been adjusted.

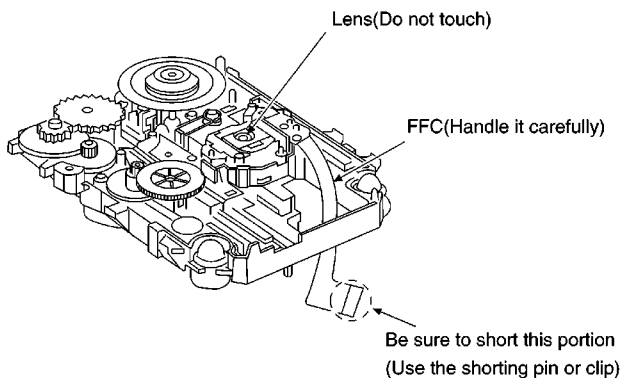


Fig. 3-1.

3.2. Grounding for electrostatic breakdown prevention

3.2.1. Human body grounding

Use the anti-static wrist strap to discharge the static electricity from your body. Refer to Fig. 3-2.

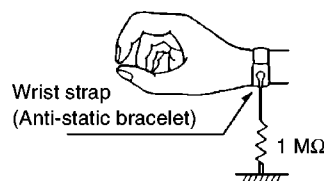


Fig. 3-2.

3.2.2. Work table grounding

Put a conductive material (sheet) or steel sheet on the area where the traverse deck (optical pickup) is placed, and ground the sheet. Refer to Fig. 3-3.

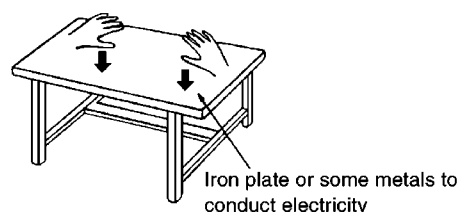


Fig. 3-3.

Caution:

The static electricity of your clothes will not be grounded through the wrist strap.

So take care not to let your clothes touch the traverse deck (optical pickup).

4 Precaution of Laser Diode

CAUTION:

THIS PRODUCT UTILIZES A LASER.

USE OF CONTROLS OR ADJUSTMENTS OR PERFORMANCE OF PROCEDURES OTHER THAN THOSE SPECIFIED HEREIN MAY RESULT IN HAZARDOUS RADIATION EXPOSURE.

CAUTION: This product utilizes a laser diode with the unit turned "on", invisible laser radiation is emitted from the pickup lens.
Wavelength: 780 nm

Maximum output radiation power from pickup: 100 μ W/VDE

Laser radiation from the pickup unit is safety level, but be sure the followings:

1. Do not disassemble the pickup unit, since radiation from exposed laser diode is dangerous.
2. Do not adjust the variable resistor on the pickup unit. It was already adjusted.
3. Do not look at the focus lens using optical instruments.
4. Recommend not to look at pickup lens for a long time.

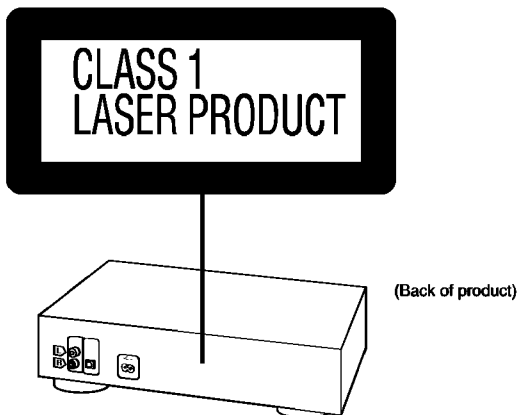
ACHTUNG: Dieses Produkt enthält eine Laserdiode. Im eingeschalteten Zustand wird unsichtbare Laserstrahlung von der Lasereinheit abgestrahlt.

Wellenlänge: 780 nm

Maximale Strahlungsleistung der Lasereinheit: 100 μ W/VDE

Die Strahlung an der Lasereinheit ist ungefährlich, wenn folgende Punkte beachtet werden:

1. Die Lasereinheit nicht zerlegen, da die Strahlung an der freigelegten Laserdiode gefährlich ist.
2. Den werksseitig justierten Einstellregler der Lasereinheit nicht verstellen.
3. Nicht mit optischen Instrumenten in die Fokussierlinse blicken.
4. Nicht über längere Zeit in die Fokussierlinse blicken.



DANGER	INVISIBLE LASER RADIATION WHEN OPEN. AVOID DIRECT EXPOSURE TO BEAM.
ADVARSEL	USYNLIG LASERSTRÅLING VED ÅBNING, NÅR SIKKERHEDSFRYDBRE ER UDE AF FUNKTION. UNDGÅ UDSÆTTELSE FOR STRÅLING.
VARO!	AVATTAESSA JA SUOJALUKITUS OHTETTAESSA OLET ALTTIINA NÄKYMÄTÖNÄ LASERSÄTEILYLLE. ÄLÄ KATSO SÄTEESEEN.
VARNING	OSYNLIG LASERSTRÅLNING NÅR DENNA DEL ÄR ÖPPNAD OCH SPÄRREN ÄR URKOPPLAD. BETRÄKTA EJ STRÅLEN.
ADVARSEL	USYNLIG LASERSTRÅLING NÅR DEKSEL ÅPNES OG SIKKERHEDSLÅS BRYTES. UNNGÅ EKSPONERING FOR STRÅLEN.
VORSICHT	UNSICHTBARE LASERSTRHLUNG, WENN ABDECKUNG GEÖFFNET. NICHT DEM STRAHL AUSSETZEN.

(Inside of product)

(Indersiden at apparatet)

(Tuotteen sisällä)

(Apparatens insida)

(Produktets innside)

(Im Inneren des Gerätes)

5 Caution for AC Mains Lead

(For United Kingdom)



("EB" area code model only)

For your safety, please read the following text carefully.

This appliance is supplied with a moulded three pin mains plug for your safety and convenience.

A 5-ampere fuse is fitted in this plug.

Should the fuse need to be replaced please ensure that the replacement fuse has a rating of 5-ampere and that it is approved by ASTA or BSI to BS1362.

Check for the ASTA mark  or the BSI mark  on the body of the fuse.

If the plug contains a removable fuse cover you must ensure that it is refitted when the fuse is replaced.

If you lose the fuse cover the plug must not be used until a replacement cover is obtained.

A replacement fuse cover can be purchased from your local dealer.

CAUTION!

IF THE FITTED MOULDED PLUG IS UNSUITABLE FOR THE SOCKET OUTLET IN YOUR HOME THEN THE FUSE SHOULD BE REMOVED AND THE PLUG CUT OFF AND DISPOSED OF SAFELY.

THERE IS A DANGER OF SEVERE ELECTRICAL SHOCK IF THE CUT OFF PLUG IS INSERTED INTO ANY 13-AMPERE SOCKET.

If a new plug is to be fitted please observe the wiring code as shown below.

If in any doubt please consult a qualified electrician.

IMPORTANT

The wires in this mains lead are coloured in accordance with the following code:

Blue: Neutral, Brown: Live.

As these colours may not correspond with the coloured markings identifying the terminals in your plug, proceed as follows:

The wire which is coloured Blue must be connected to the terminal which is marked with the letter N or coloured Black or Blue.

The wire which is coloured Brown must be connected to the terminal which is marked with the letter L or coloured Brown or Red.

WARNING: DO NOT CONNECT EITHER WIRE TO THE EARTH TERMINAL WHICH IS MARKED WITH THE LETTER E, BY THE EARTH SYMBOL  OR COLOURED GREEN OR GREEN/YELLOW.

THIS PLUG IS NOT WATERPROOF—KEEP DRY.

Before use

Remove the connector cover.

How to replace the fuse

The location of the fuse differ according to the type of AC mains plug (figures A and B). Confirm the AC mains plug fitted and follow the instructions below.

Illustrations may differ from actual AC mains plug.

1. Open the fuse cover with a screwdriver.

Figure A

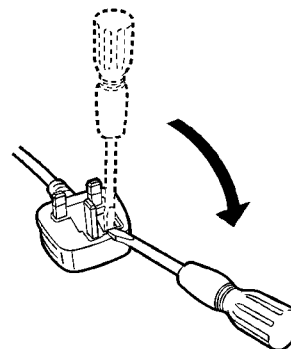
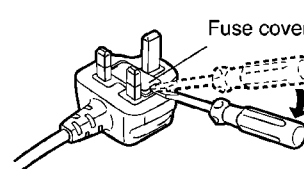


Figure B



2. Replace the fuse and close or attach the fuse cover.

Figure A

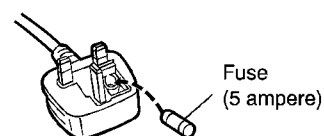
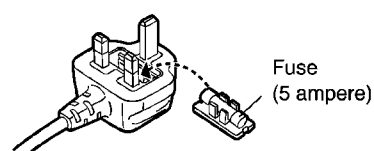


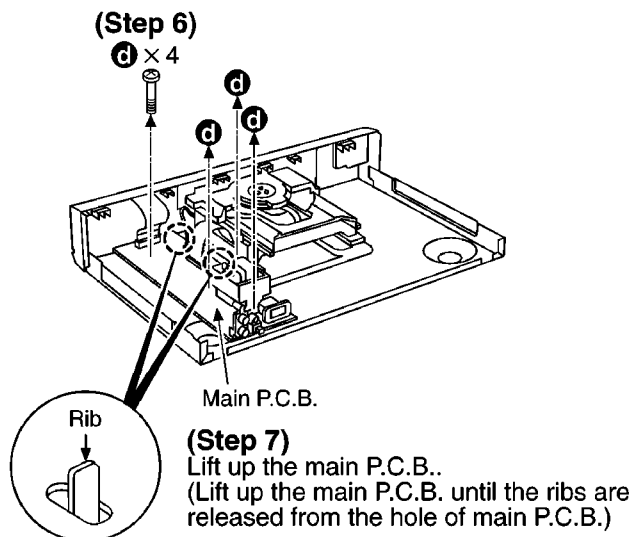
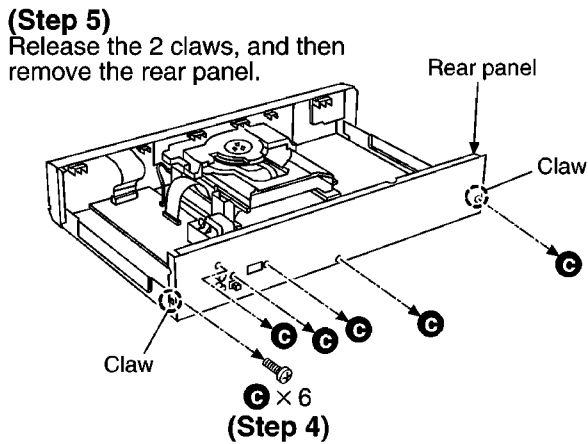
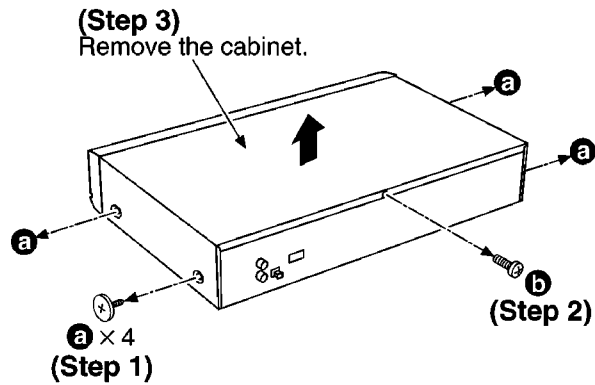
Figure B



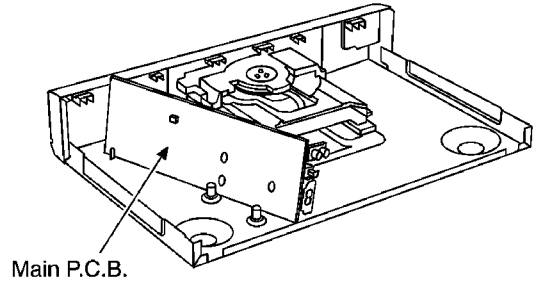
6 Operation Checks and Component Replacement Procedures

- This section describes procedures for checking the operation of the major printed circuit boards and replacing the main components.
- For reassembly after operation checks or replacement, reverse the respective procedures. Special reassembly procedures are described only when required.

6.1. Checking for the main P.C.B.



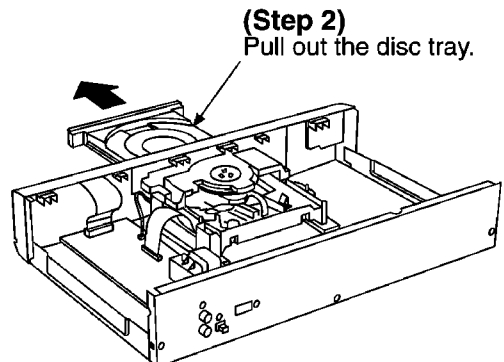
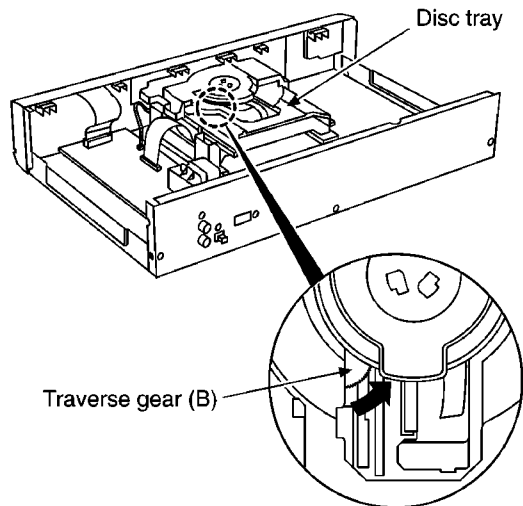
- Check the main P.C.B. as shown below.



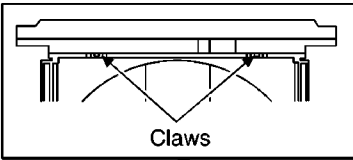
6.2. Checking for the CD servo P.C.B.

- Follow the **(Step 1)** - **(Step 3)** of item 6.1.

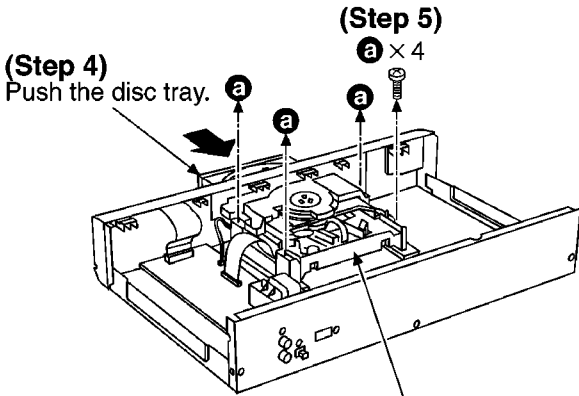
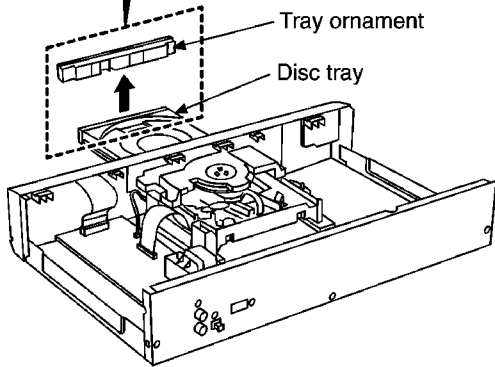
- (Step 1)**
Rotate the traverse gear (B) in direction of arrow, and then open the disc tray.



(Bottom side)



(Step 3)
Release the 2 claws,
and then remove the
tray ornament.

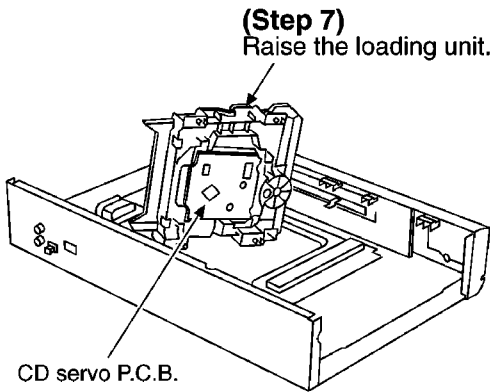


(Step 4)
Push the disc tray.

(Step 5)
a × 4

(Step 6)
Remove the loading unit.

• Check the CD servo P.C.B. as shown below.



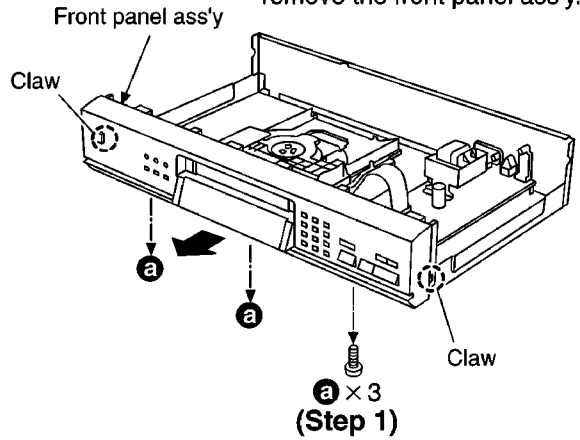
(Step 7)
Raise the loading unit.

CD servo P.C.B.

6.3. Checking for the FL P.C.B.

• Follow the (Step 1) - (Step 3) of item 6.1.

(Step 2)
Release the 2 claws, and then
remove the front panel ass'y.



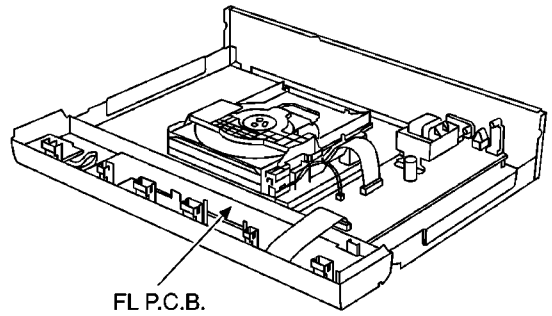
Front panel ass'y

Claw

Claw

a × 3
(Step 1)

• Check the FL P.C.B. as shown below.

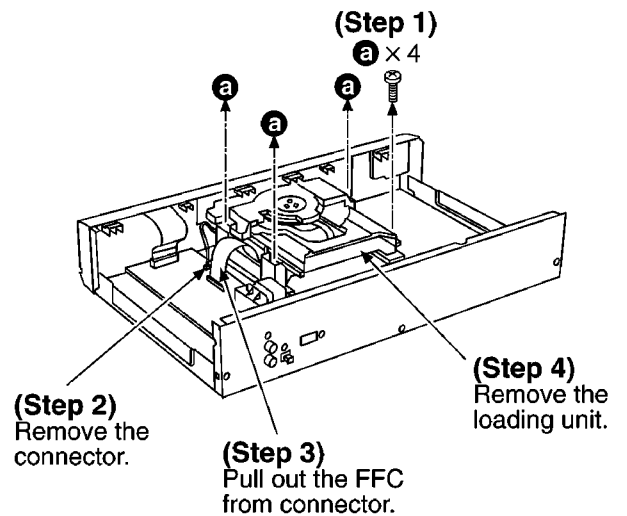


FL P.C.B.

6.4. Replacement for the traverse deck ass'y, drive gear and cam gear

• Follow the (Step 1) - (Step 3) of item 6.1.

• Follow the (Step 1) - (Step 4) of item 6.2.

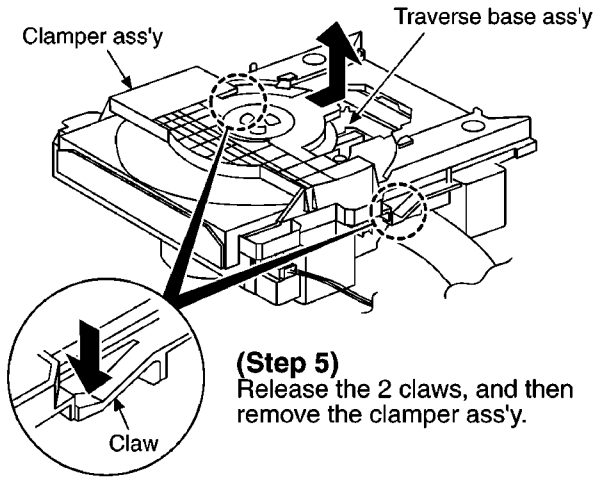


(Step 1)
a × 4

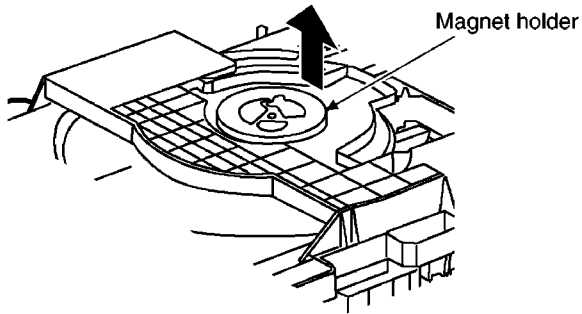
(Step 2)
Remove the
connector.

(Step 3)
Pull out the FFC
from connector.

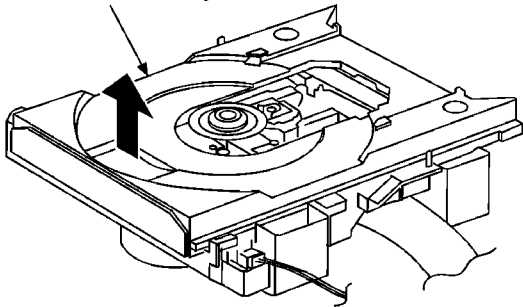
(Step 4)
Remove the
loading unit.



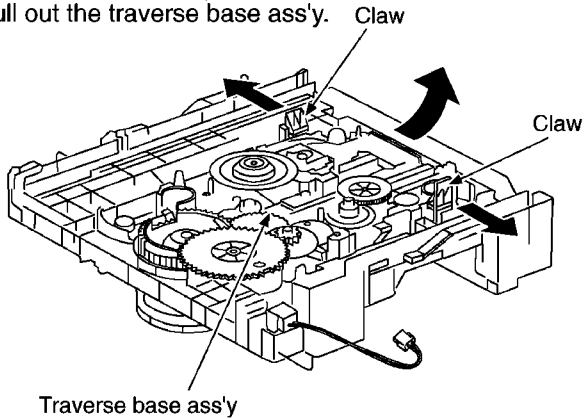
NOTE:
When the traverse base ass'y is up, remove the clamber ass'y after lift up the magnet holder.



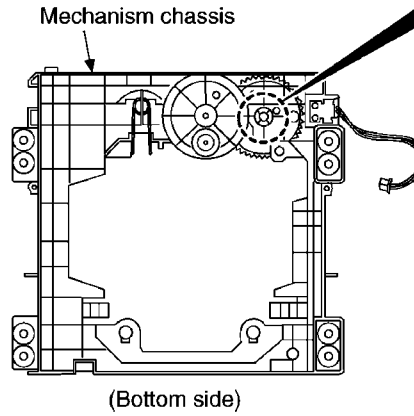
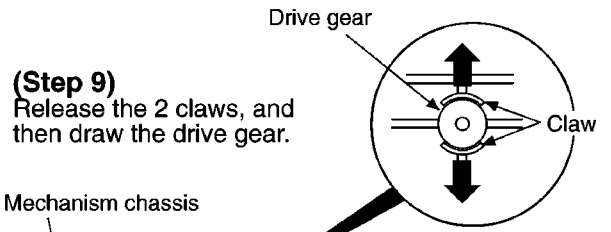
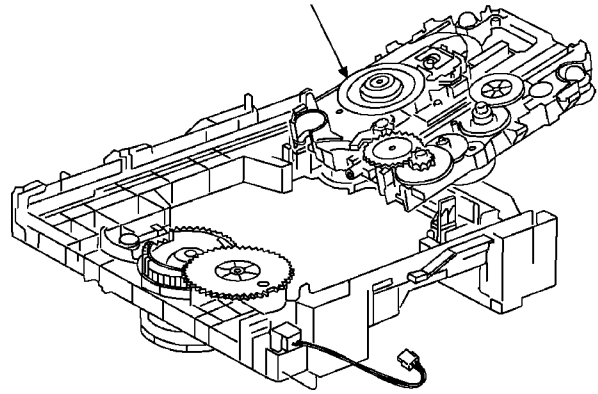
(Step 6)
Remove the disc tray in the direction of arrow.



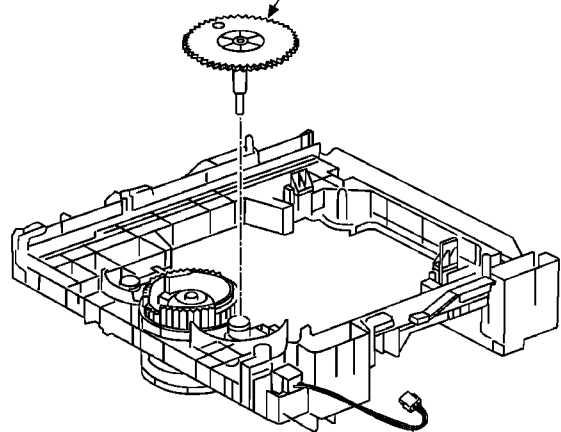
(Step 7)
Release the 2 claws, and then pull out the traverse base ass'y.

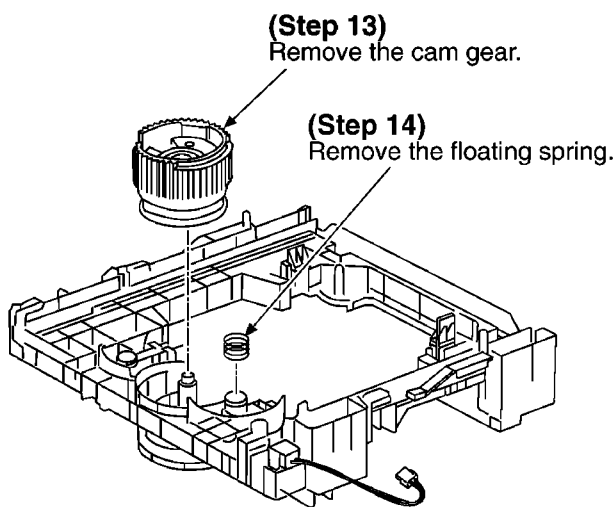
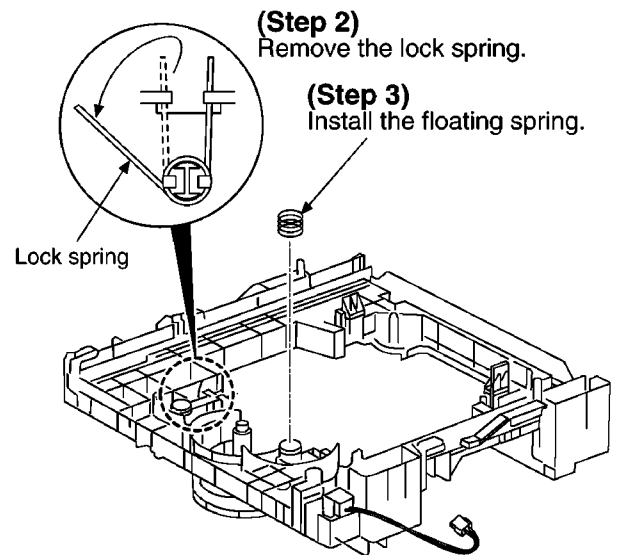
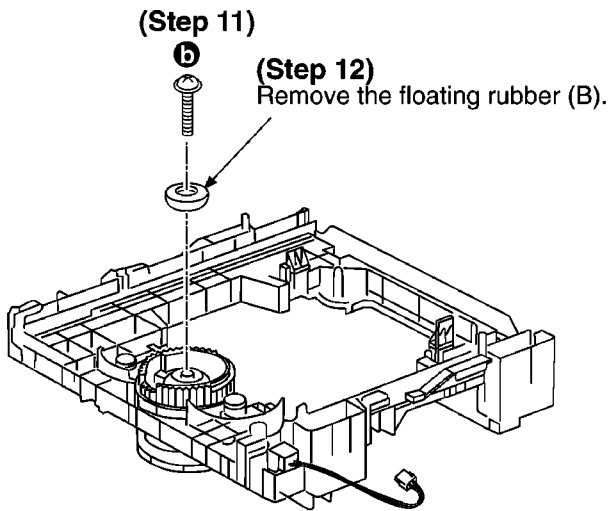


(Step 8)
Remove the traverse base ass'y.

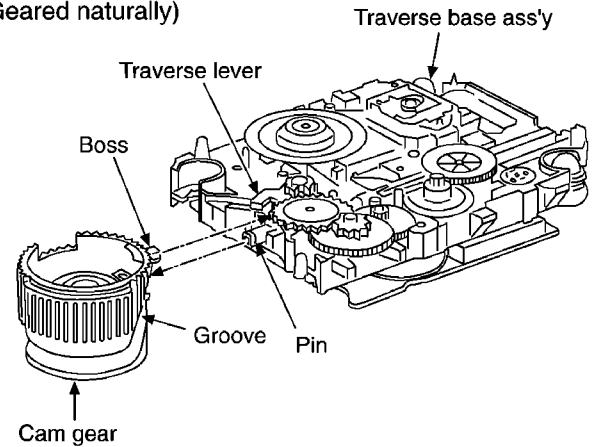


(Step 10)
Pull out the drive gear.



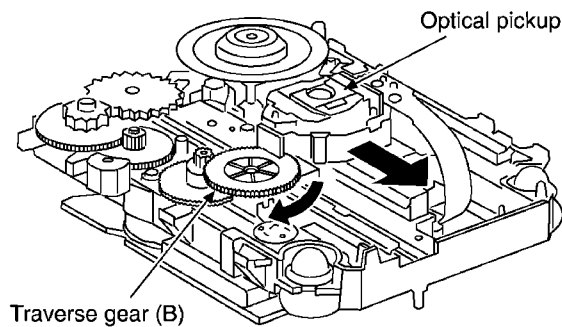


(Step 4)
 Put the traverse base ass'y pin into the groove of cam gear, and at the same time, put the boss of cam gear into the traverse lever.
 (Geared naturally)

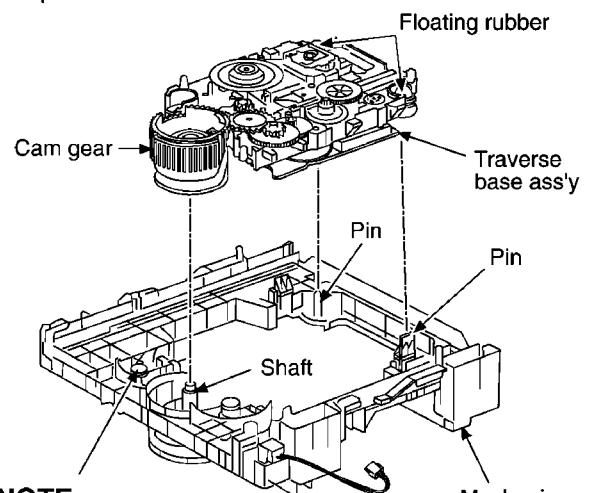


Installation for traverse base ass'y, cam gear, drive gear, disc tray and clamber ass'y

(Step 1)
 Rotate the traverse gear (B), and then move the optical pickup in the direction of arrow.



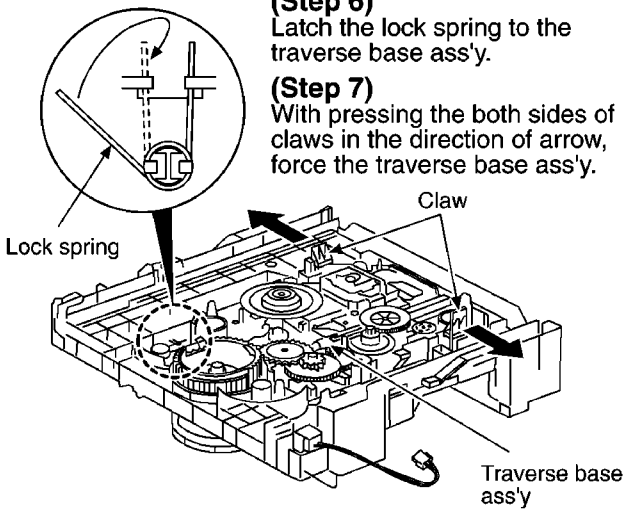
(Step 5)
 Put the cam gear into the shaft of mechanism chassis, and put the floating rubber of the traverse base ass'y into pin of mechanism chassis.



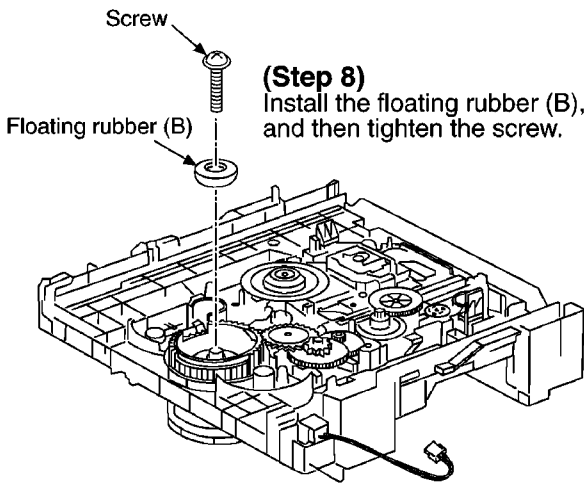
NOTE:
 Be careful not to latch the lock spring.

(Step 6)
Latch the lock spring to the traverse base ass'y.

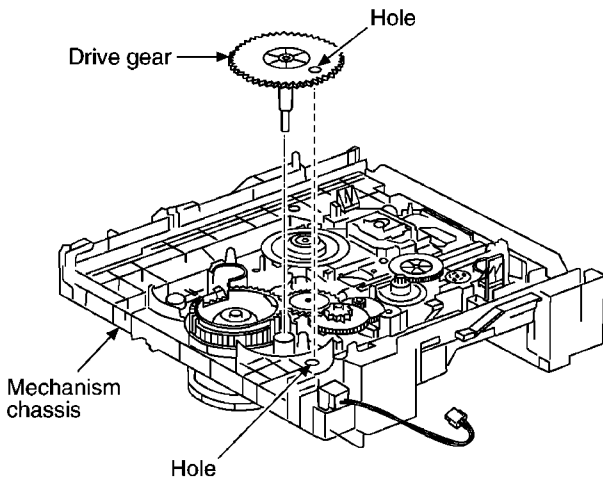
(Step 7)
With pressing the both sides of claws in the direction of arrow, force the traverse base ass'y.



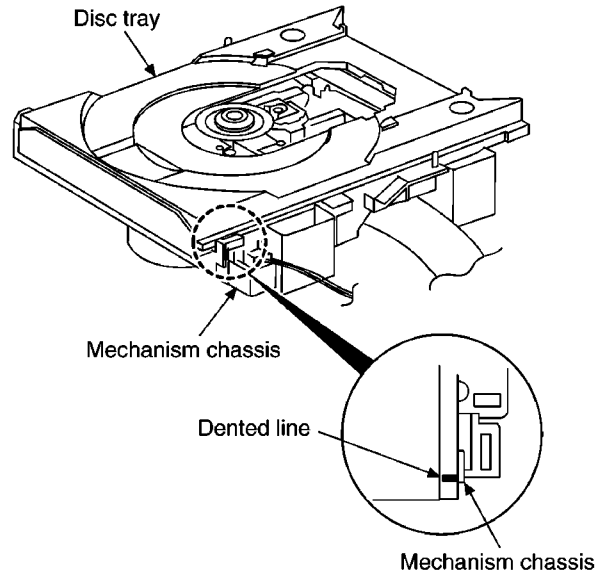
(Step 8)
Install the floating rubber (B), and then tighten the screw.



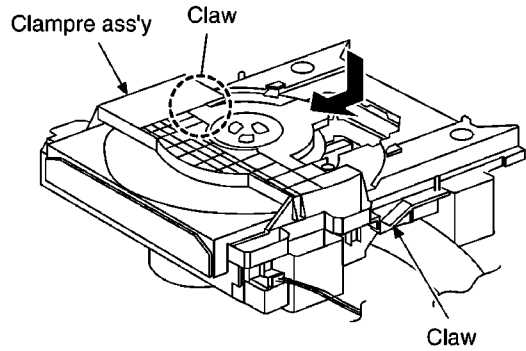
(Step 9)
Put the hole of drive gear and the hole of mechanism chassis together, and then push the drive gear in.



(Step 10)
Install the disc tray.
(When replacing the disc tray, make sure the dented line is at position as shown below.)

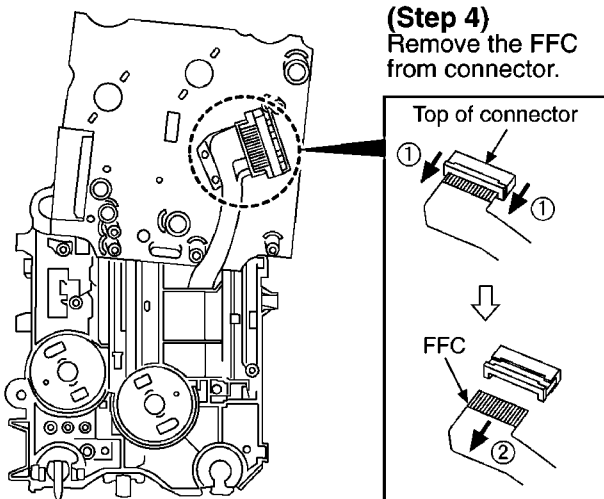
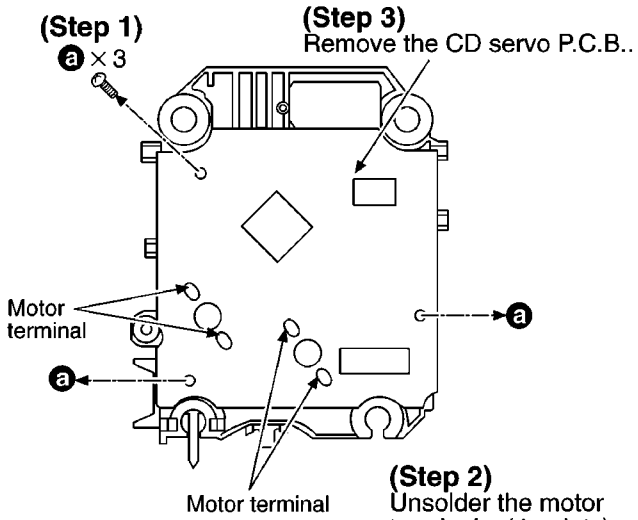


(Step 11)
Insert the clampe ass'y from the upper part, and install the claw like getting over.

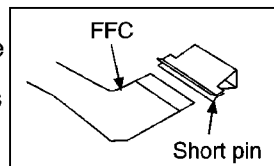


6.5. Replacement for the optical pickup

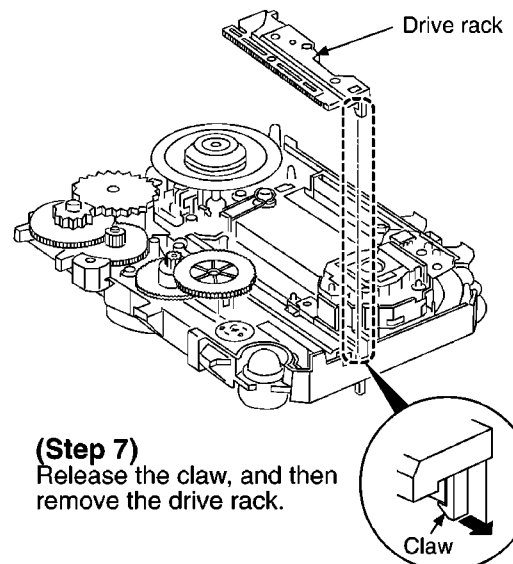
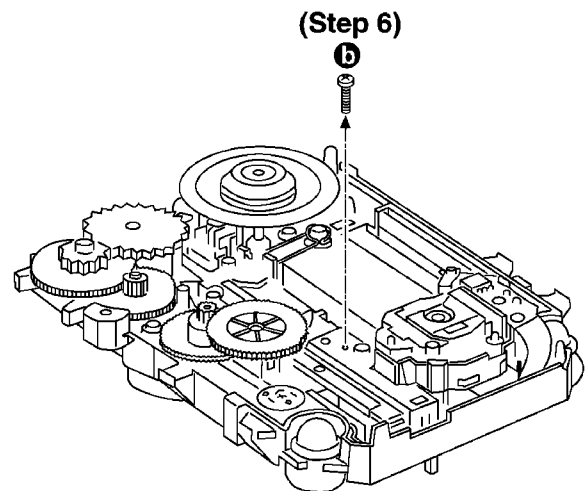
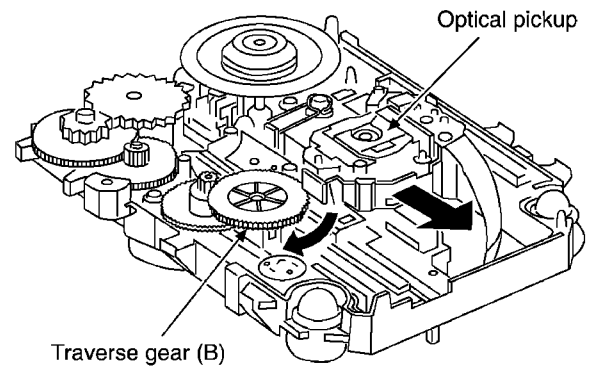
- Follow the (Step 1) - (Step 3) of item 6.1.
- Follow the (Step 1) - (Step 4) of item 6.2.
- Follow the (Step 1) - (Step 8) of item 6.4.

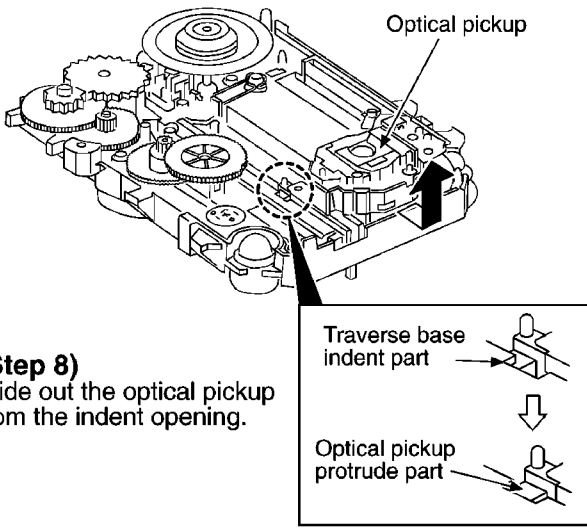


Caution:
Insert a short pin into the traverse unit FFC board.
(Refer to "Handling Precautions for Traverse Deck".)

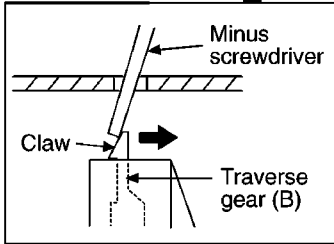
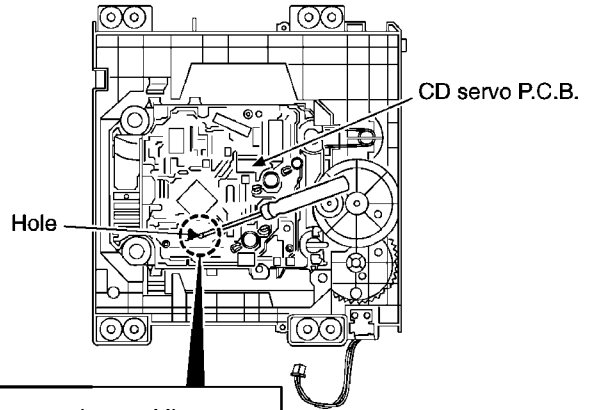


(Step 5)
Rotate the traverse gear (B), and then move the optical pickup to backward fully.

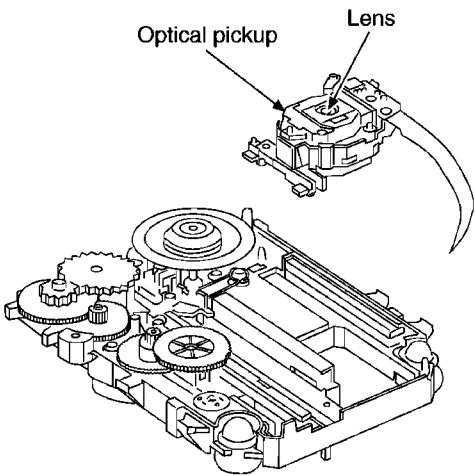




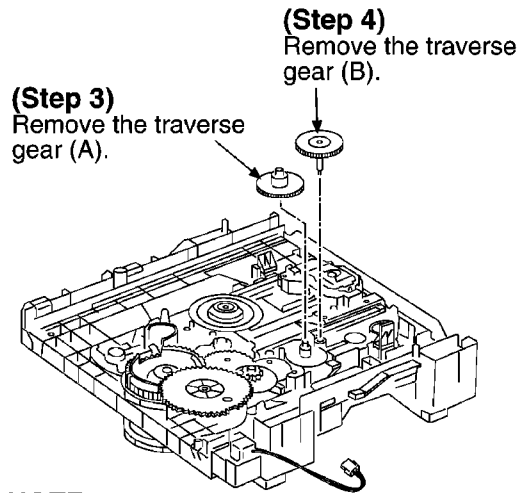
(Step 8)
Slide out the optical pickup from the indent opening.



(Step 2)
Insert the minus screwdriver which has thin point into the hole of CD servo P.C.B. and push the claw of traverse gear (B), and then pull out the traverse gear (B).



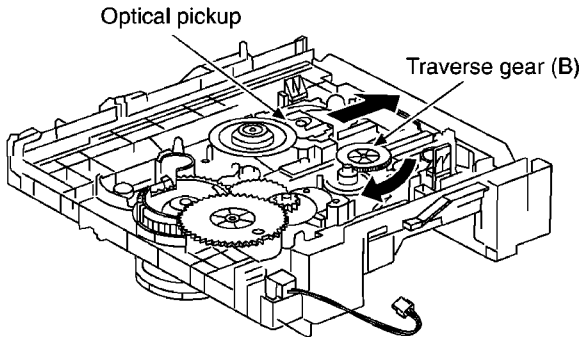
NOTE:
Do not touch the lens of the optical pickup.



NOTE:
Do not use traverse gear (B) remove once. Be sure to exchange it to new one.

6.6. Replacement for the traverse gear (A) and traverse gear (B)

- Follow the **(Step 1)** - **(Step 3)** of item 6.1.
- Follow the **(Step 1)** - **(Step 4)** of item 6.2.
- Follow the **(Step 1)** - **(Step 6)** of item 6.4.



(Step 1)
Rotate the traverse gear (B), and then move the optical pickup to backward fully.

7 Self-Diagnostic Function

The self-diagnostic feature automatically diagnoses the unit's mechanism and provides error information display. It includes

self-diagnostic functions for the servo system and mechanism control switches.

7.1. Servo system self-diagnosis

1. With the test disc (SZZP1054C) loaded, turn off the unit.
2. While pressing and holding the Stop, Pause and Play button, turn on the unit again. Refer to Fig. 7-1. (The self-diagnostic function is activated.)
3. The display will show an error code, if any. Refer to Table 7-1.
4. Press the Play button to play the test disc. Refer to Fig. 7-1.
5. The display shows servo system status. Refer to Fig. 7-2. and Table 7-2.
6. Turn off the unit to exit the self-diagnostic function.

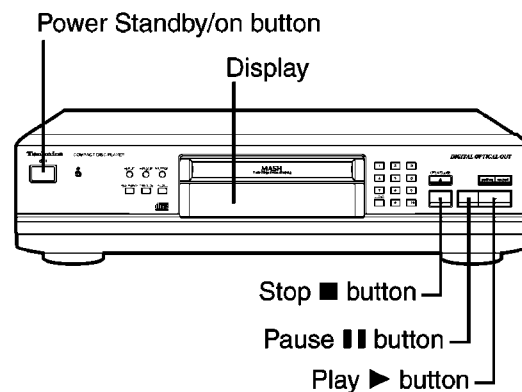


Fig. 7-1.

Table 7-1.

FL error code display	Symptom	Probable cause	Signal to check		Normal voltage and waveform values	
			Signal name	Location	PLAY	STOP
E00	Normal	-----	-----	-----	-----	-----
E01	Focus and tracking offset adjustments has not been completed in the specified time period.	1. IC702's clock input X1 IN, IC702's power supply (V_{DD}) or its reset ($/RST$) is invalid. 2. Any signal MDATA, MCLK, MLD or SENSE to/from IC601 are invalid.	MDATA	IC702-pin 8		0 V
			MCLK	IC702-pin 7		3.3 V
			MLD	IC702-pin 9		3.3 V
			$/RST$	IC702-pin 18	3.3 V	3.3 V
			X1 IN	IC702-pin 58		
			X2 OUT	IC702-pin 59		
E02, E03, E05, E06, E07, E09, E0A, E0B, E0D, E0E, E0F	The test disc does not play consistently.	1. The disc is scratched or dirty. 2. Focus or tracking servo is malfunctioning (Check waveforms voltages and circuit constants). 3. Spindle driver is malfunctioning. 4. Optical pickup is malfunctioning.	FE	IC702-pin 32		1.6 V
			TE	IC702-pin 33		1.6 V
			FOD	IC702-pin 28	1.6 V	1.6 V
			TRD	IC702-pin 27	1.6 V	1.6 V
			$/RFDET$	IC702-pin 38	0 V	3.3 V
			RF	TJ701		0.9 V
			STAT	IC702-pin 17	3.2 V	0 V

FL error code display	Symptom	Probable cause	Signal to check		Normal voltage and waveform values	
			Signal name	Location	PLAY	STOP
E04, E08, E0C	Focus and tracking gain adjustment has not been completed in specified time period.	1. The disc is scratched or dirty. 2. Focus or tracking servo is malfunctioning (Check waveform voltages and circuit constants). 3. Optical pickup is malfunctioning.	FE	IC702-pin 32		1.6 V
			TE	IC702-pin 33		1.6 V
			OFT	IC702-pin 36	0 V	0 V

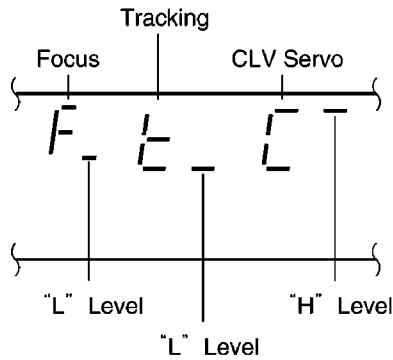


Fig. 7-2.

	L level	H level
Focus	Focus system normal	Focus system error
Tracking	Tracking system normal	Tracking system error
CLV servo	CLV servo system error	CLV servo system normal

7.2. Mechanism control switches self-diagnosis

1. Turn on the unit.
2. Press the Disc tray open/close button to open the disc tray, and load the test disc (SZZP1054C). Refer to Fig. 7-3.
3. Hold down the Stop button for more than 2 seconds, and then press the F.skip/search button for more than 2 seconds while continuing to hold down the Stop button. Refer to Fig. 7-3. (The symbol "C" is displayed on the display. It indicates the self-diagnostic function is activated.)
4. Press the Stop button. Refer to Fig. 7-3. The display will show an error code, if any. Refer to Table 7-3.
5. If more than one error exists, the display will sequentially show the respective error codes each time the Stop button is pressed.
6. Turn off the unit to exit the self-diagnostic function.

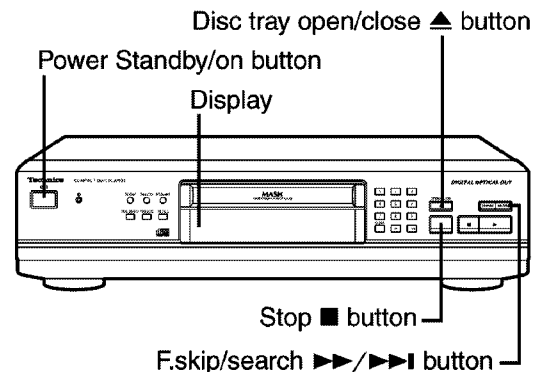


Fig. 7-3.

Table 7-3.

Error code	Symptom	Possible cause
F15	Interval before CD starts playing is too long.	Rest detect switch (S701) is defective.
H15	Disc tray closes immediately after it is opened.	Disc tray open/close detect switch (S790) is defective.
H16	Disc tray opens immediately after it is closed.	
F26	The display shows error code F26 after the unit is turned on. CD does not play.	Communication error between CD servo IC and CPU.







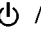
Note:

Error code F26 will be displayed before the self-diagnostic function is activated if an error exists.

8 Schematic Diagram Notes

- This schematic diagram may be modified at any time with the development of new technology.


Notes:

S601:	Time mode select switch (TIME MODE)
S604:	Peak search switch (PEAK SEARCH)
S605:	Random play switch (RANDOM)
S606:	Numeric switch (1)
S607:	Numeric switch (2)
S608:	Numeric switch (3)
S609:	Numeric switch (4)
S610:	Numeric switch (5)
S611:	Numeric switch (0)
S612:	Numeric switch (9)
S613:	Numeric switch (8)
S614:	Numeric switch (7)
S615:	Numeric switch (6)
S620:	Numeric switch (≥ 10)
S621:	F.Skip/search switch ()
S622:	Pause switch ()
S623:	Disc tray open/close switch ( OPEN/CLOSE)
S624:	Program switch (PROGRAM)
S625:	Repeat switch (REPEAT)
S626:	Stop switch ()
S627:	Play switch ()
S628:	R.Skip/search switch ()
S629:	Clear switch (CLEAR)
S630:	Program recall switch (RECALL)
S651:	Power Standby/on switch ( /I)
S701:	Rest detect switch in OFF position
S790:	Disc tray open detect switch in OFF position

- Indicated voltage values are the standard values for the unit measured by the DC electronic circuit tester (high-impedance) with the chassis taken as standard. Therefore, there may exist some errors in the voltage values, depending on the internal impedance of the DC circuit tester.

No mark : CD stop
() : CD play [1 kHz, L+R, 0 dB]

- Important safety notice:

Components identified by  mark have special characteristics important for safety.

Furthermore, special parts which have purposes of fire-retardant (resistors), high-quality sound (capacitors), low-noise (resistors), etc. are used.

When replacing any of components, be sure to use only manufacturer's specified parts shown in the parts list.

- The supply part number is described alone in the replacement parts list.

• Caution!

IC and LSI are sensitive to static electricity.

Secondary trouble can be prevented by taking care during repair.

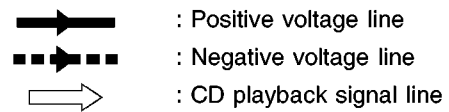
Cover the parts boxes made of plastics with aluminum foil.

Ground the soldering iron.

Put a conductive mat on the work table.

Do not touch the legs of IC or LSI with the fingers directly.

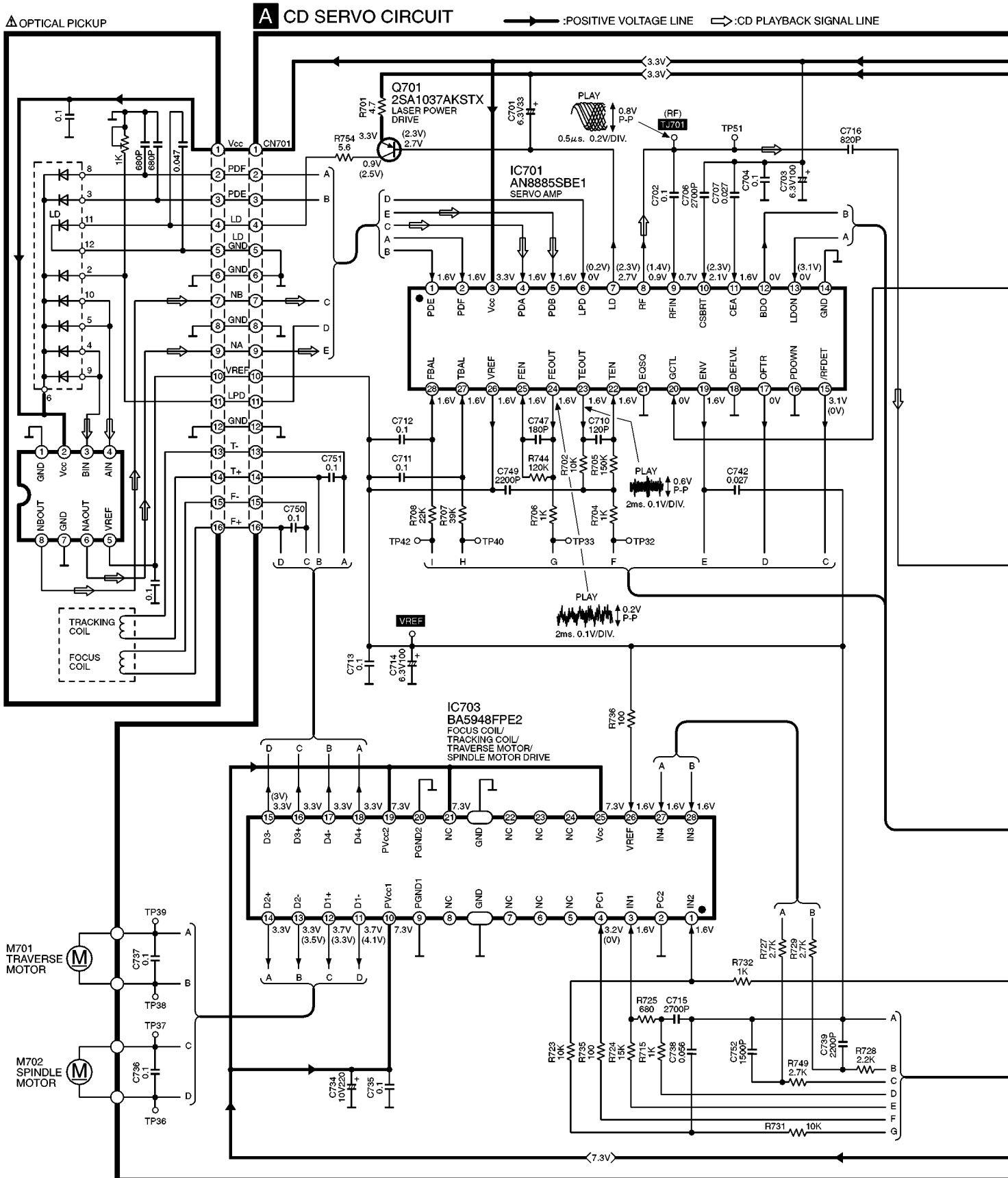
- Voltage and signal line



9 Schematic Diagram

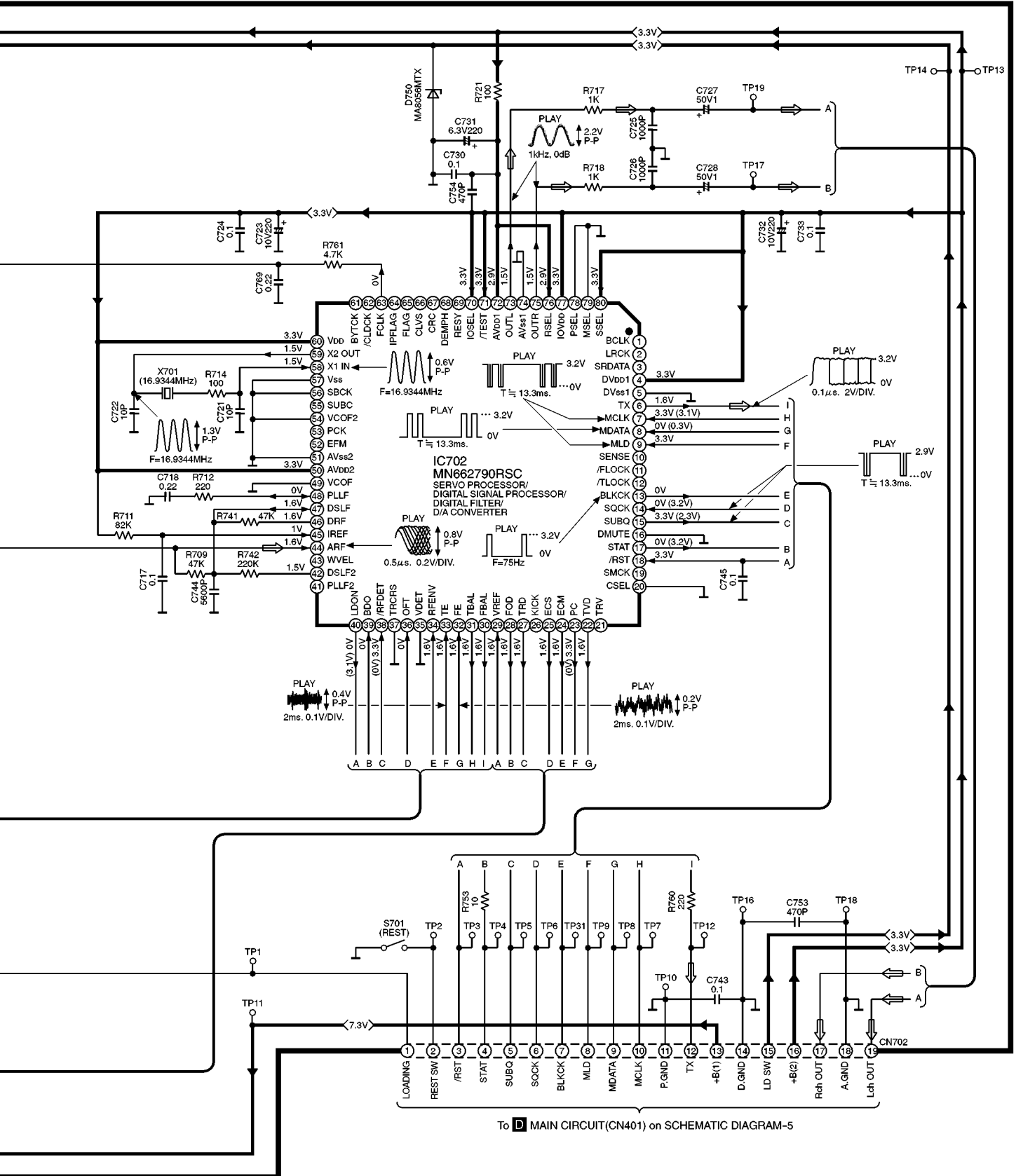
SCHEMATIC DIAGRAM-1

NOTE:
The number which noted at the connectors on the schematic diagram as "SCHEMATIC DIAGRAM-1" or "SCHEMATIC DIAGRAM-2" indicates the schematic diagram serial number located on the left corner in the schematic diagram.



SCHEMATIC DIAGRAM-2

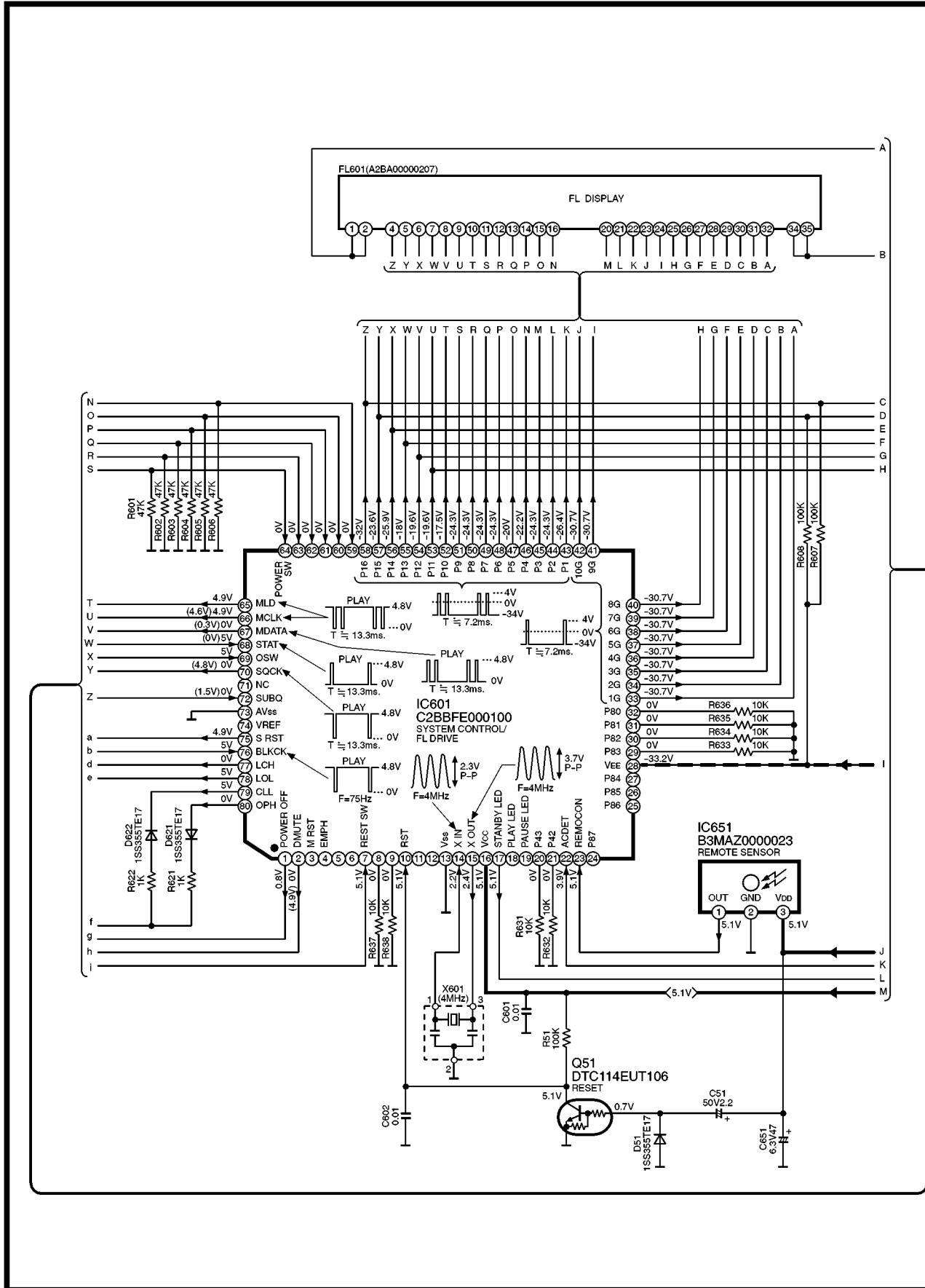
→ : POSITIVE VOLTAGE LINE ⇨ : CD PLAYBACK SIGNAL LINE



SCHEMATIC DIAGRAM-3

B FL CIRCUIT

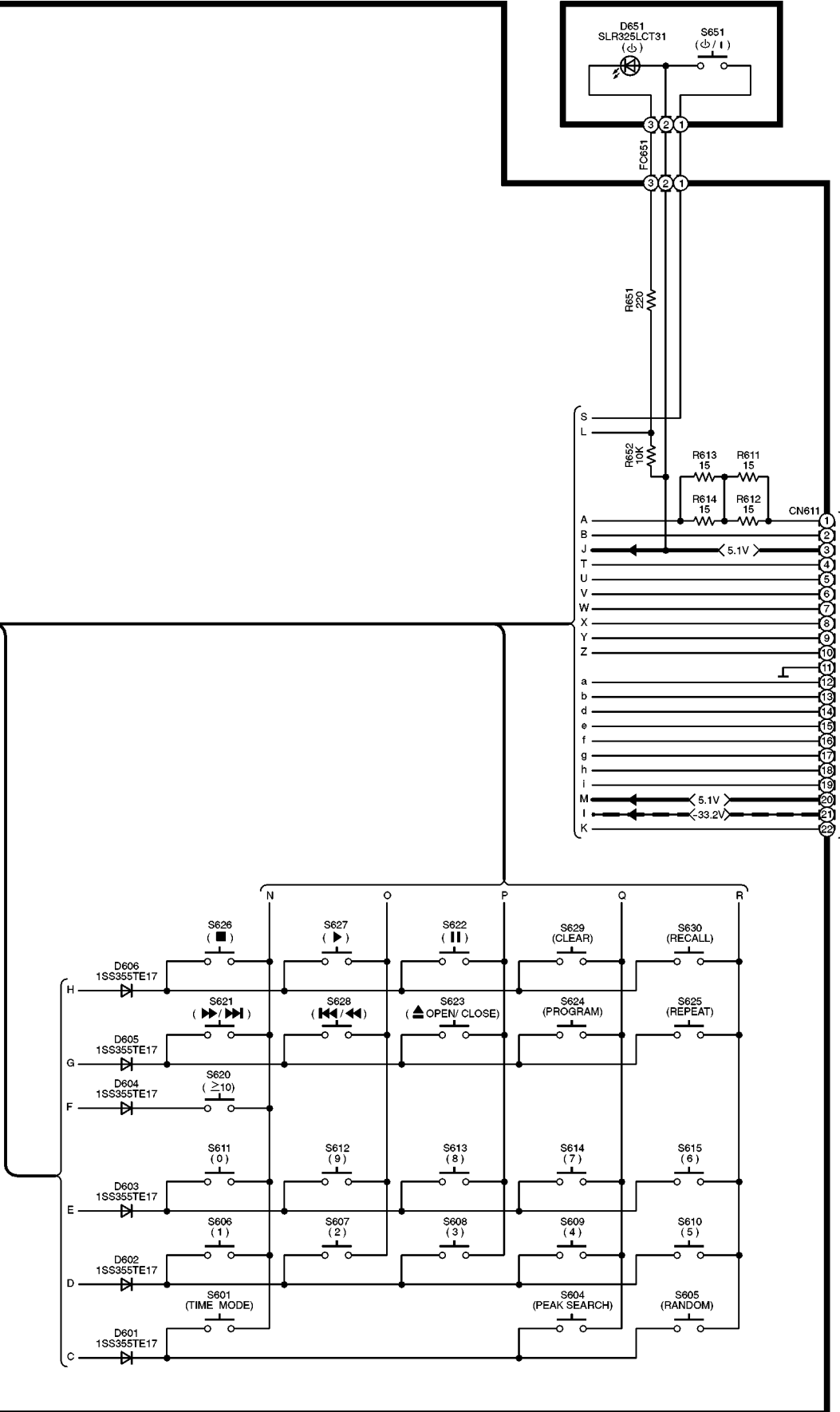
→ : POSITIVE VOLTAGE LINE → : NEGATIVE VOLTAGE LINE



SCHEMATIC DIAGRAM-4

—▶— : POSITIVE VOLTAGE LINE
-▶- : NEGATIVE VOLTAGE LINE

C POWER SW CIRCUIT



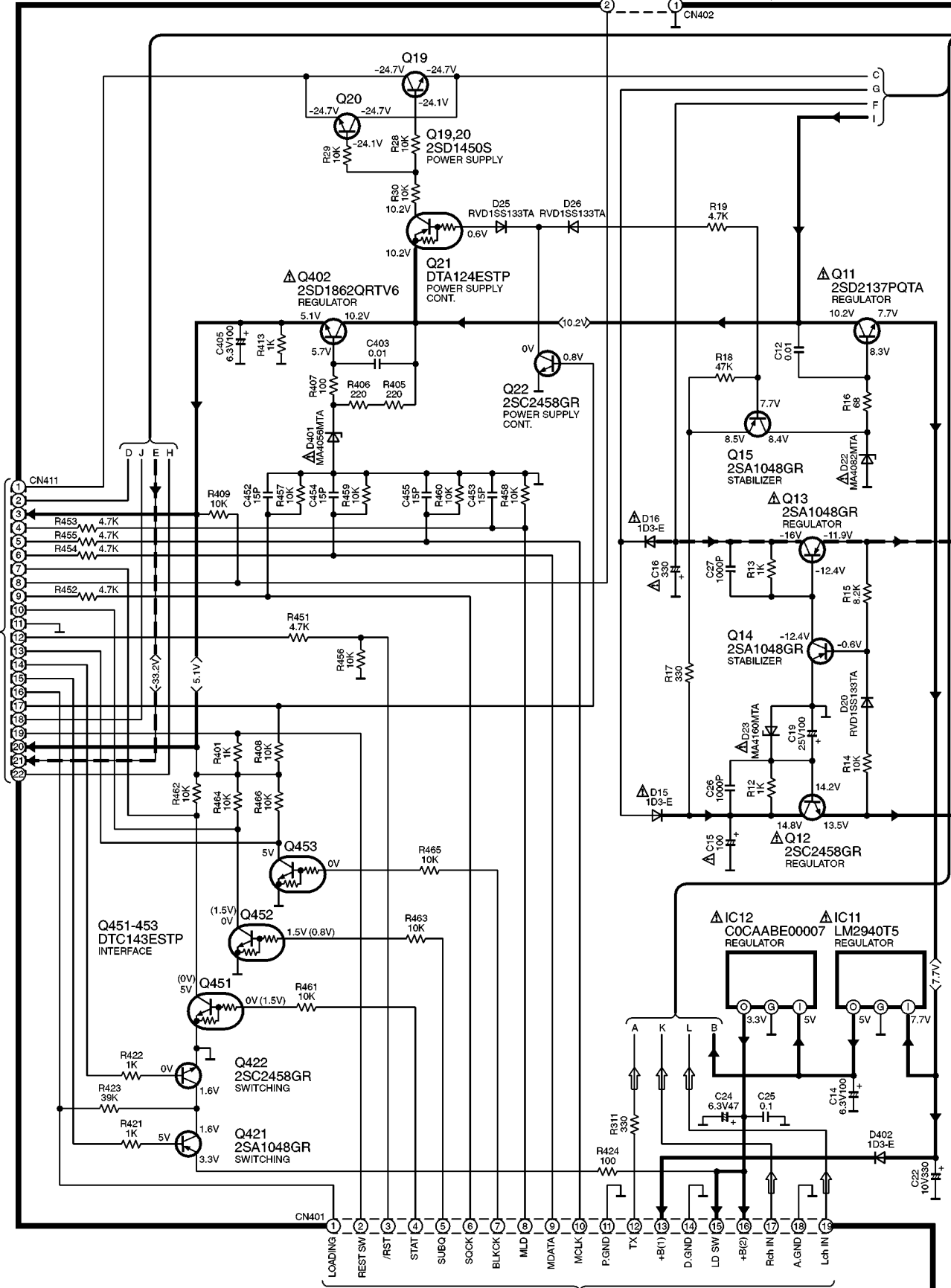
SCHEMATIC DIAGRAM-5

D MAIN CIRCUIT

(CD OPEN/CLOSE SW) S790
 CN402

——— : POSITIVE VOLTAGE LINE
 - - - : NEGATIVE VOLTAGE LINE

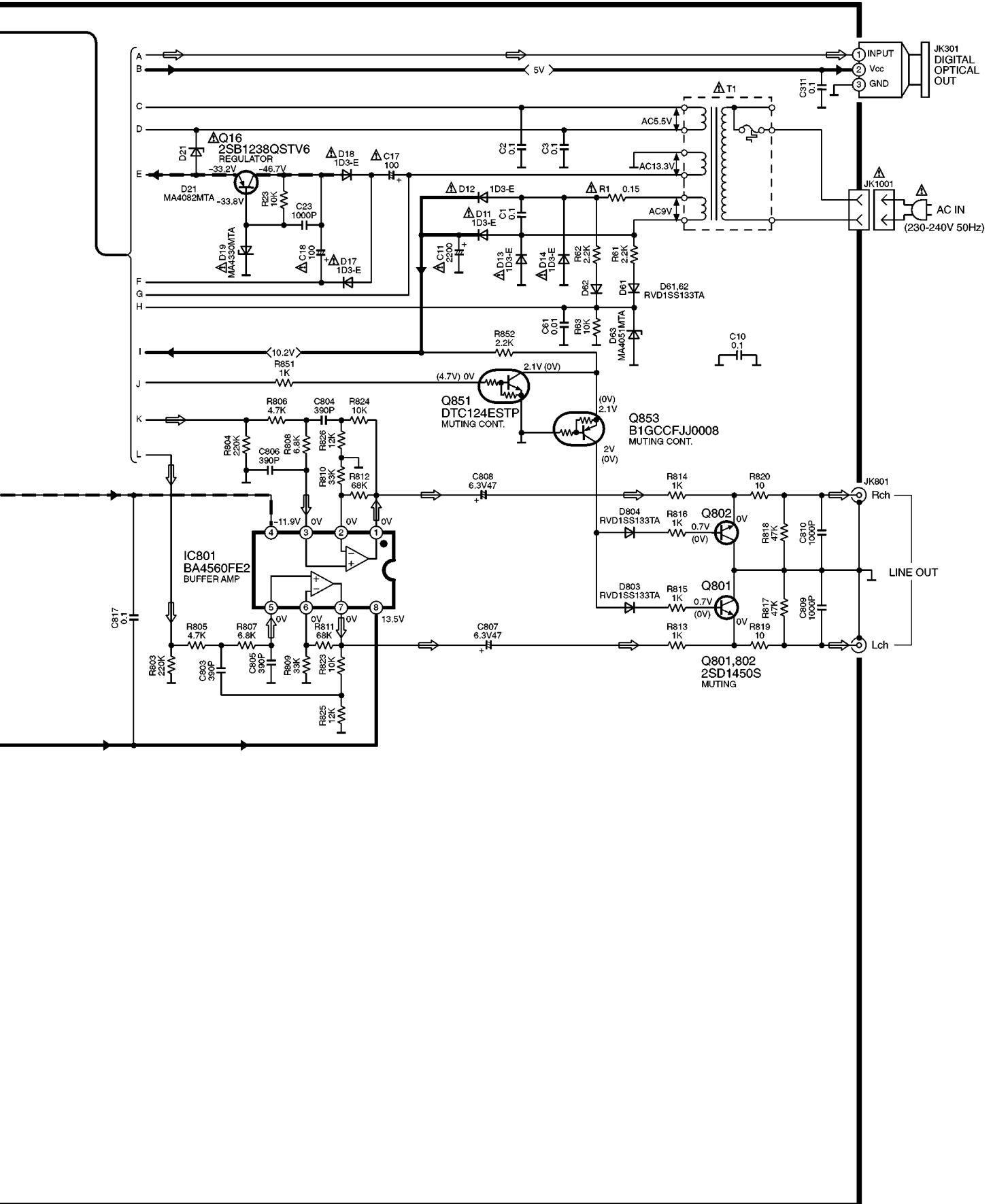
 ⇨ : CD PLAYBACK SIGNAL LINE



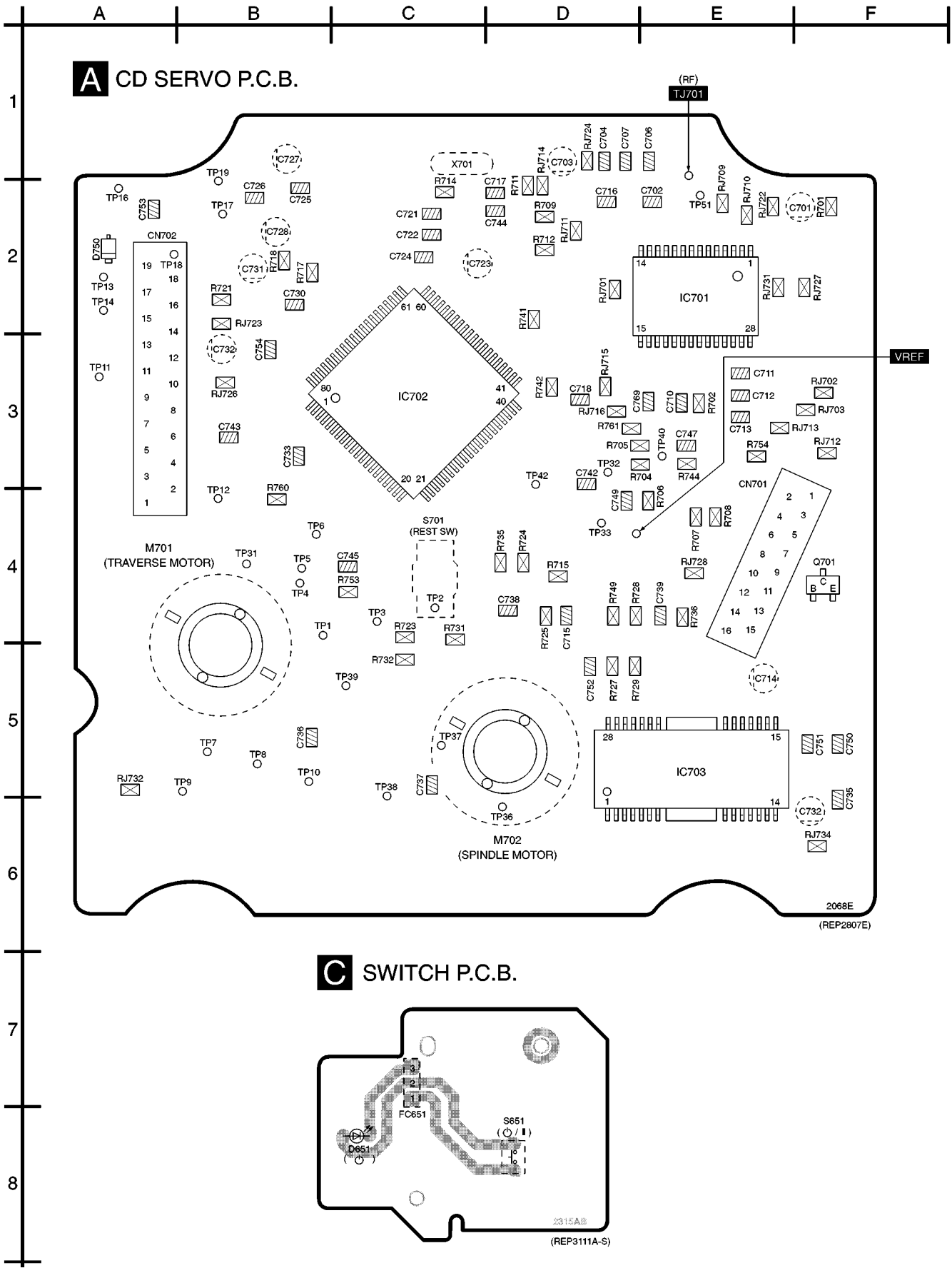
To A CD SERVO CIRCUIT(CN702) on SCHEMATIC DIAGRAM-2

SCHEMATIC DIAGRAM-6

→ : POSITIVE VOLTAGE LINE -→ : NEGATIVE VOLTAGE LINE ⇨ : CD PLAYBACK SIGNAL LINE



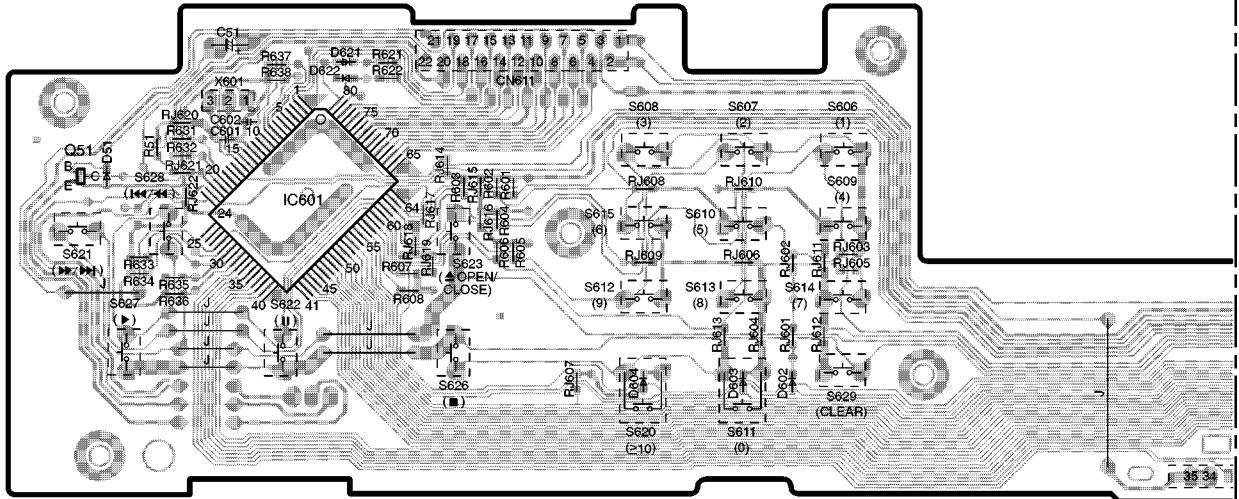
10 Printed Circuit Board Diagram



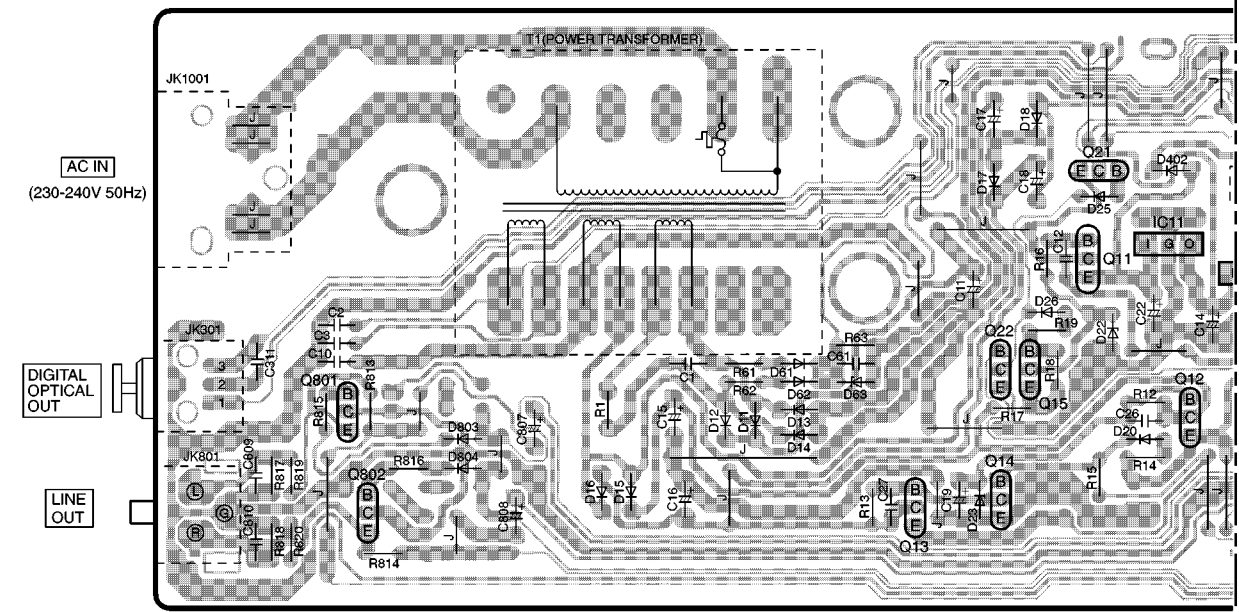
A B C D E F

1
2
3
4
5
6
7
8

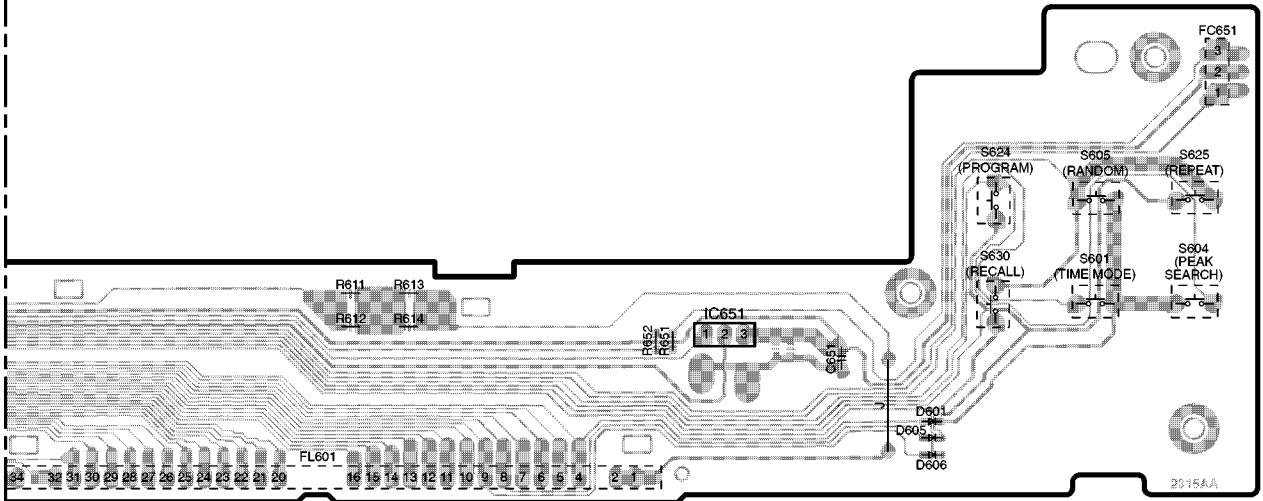
B FL P.C.B.



D MAIN P.C.B.

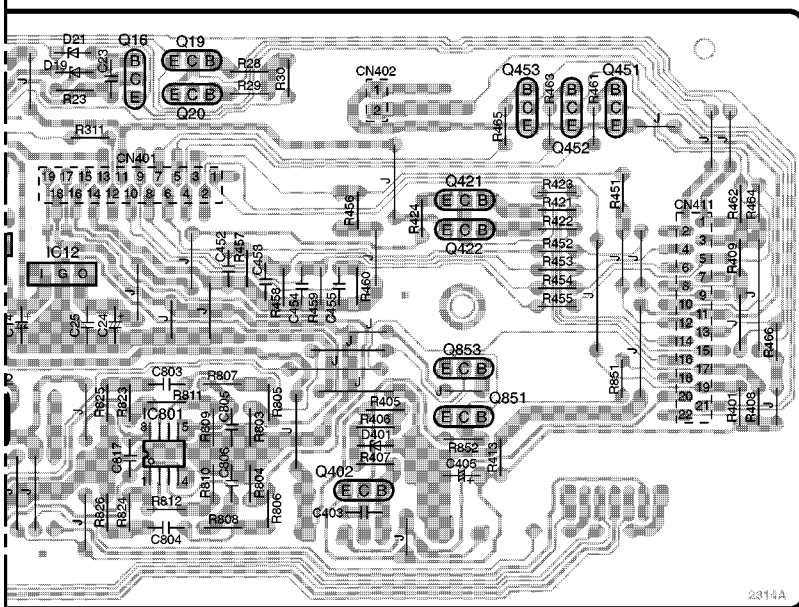


G H I J K L



2315AA

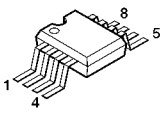
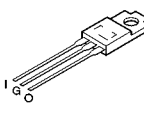
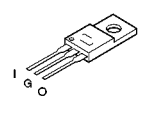
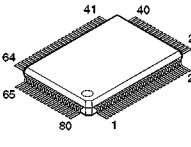
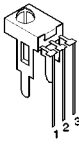
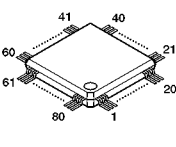
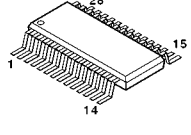
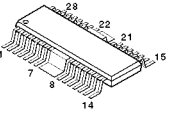
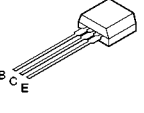
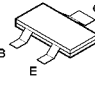
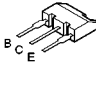
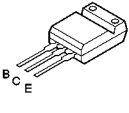
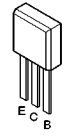
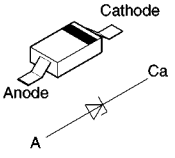
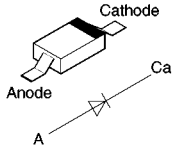
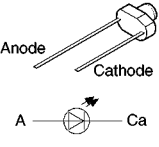
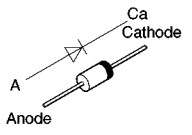
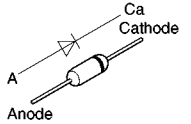
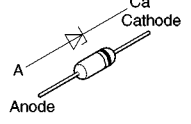
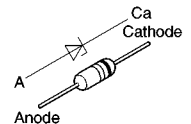
(REP3111A-S)



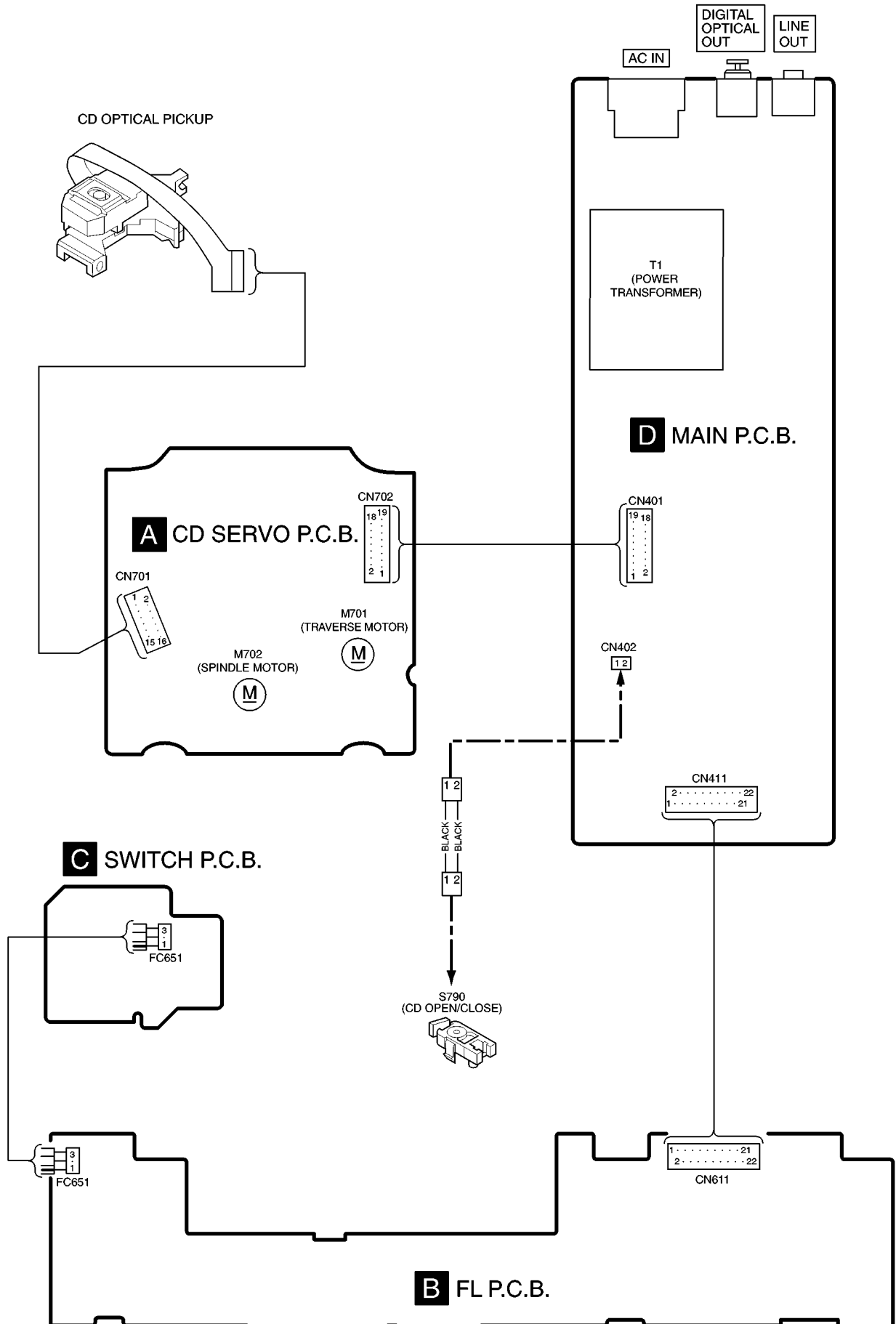
2314A

(REP3110C-M)

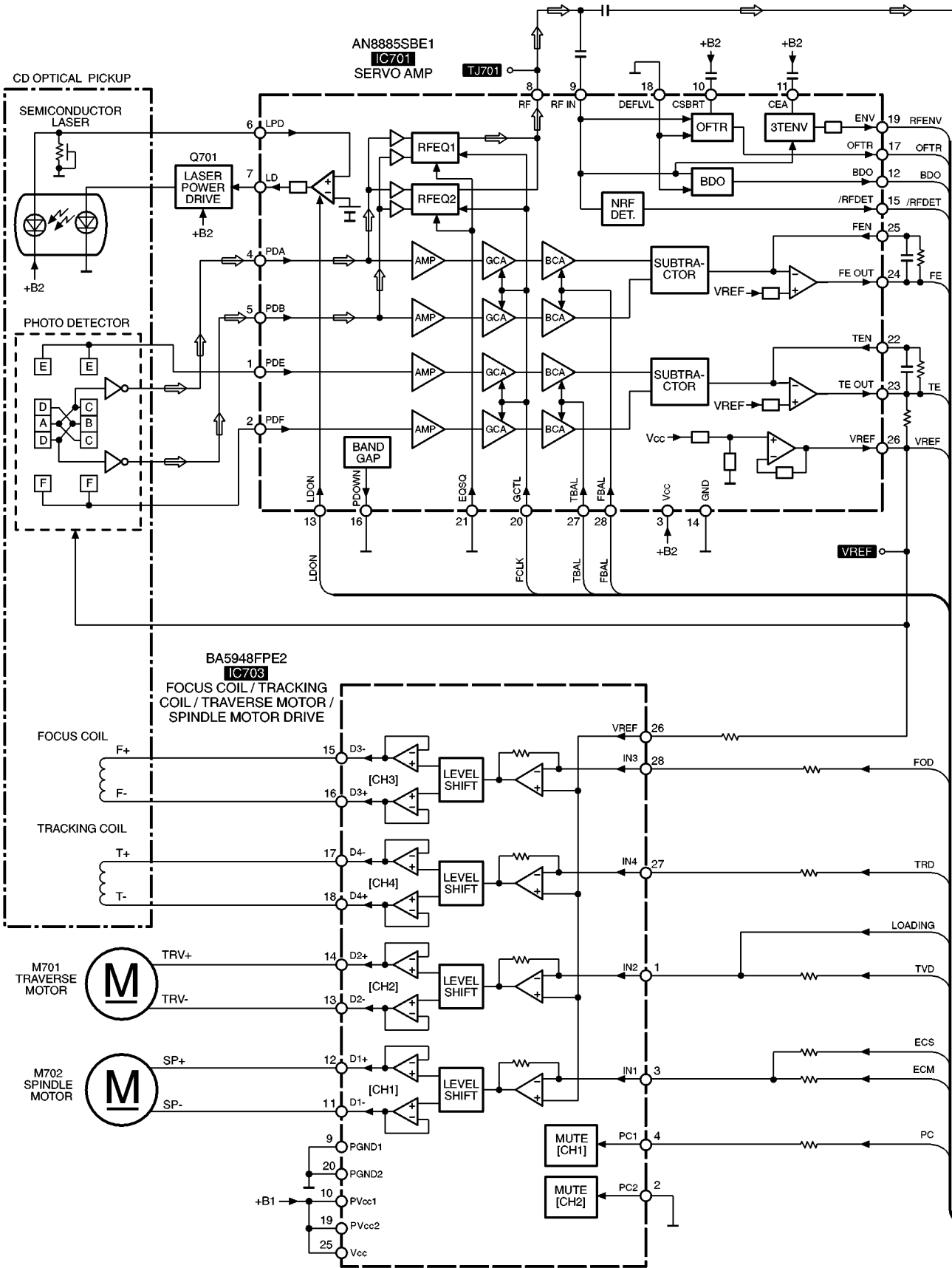
11 Type Illustration of ICs, Transistors and Diodes

<p>BA4560FE2</p> 	<p>C0CAABE00007</p> 	<p>LM2940T5</p> 	<p>C2BBFE000100</p> 	<p>B3MAZ0000023</p> 	<p>MN662790RSC</p> 
<p>AN8885SBE1</p> 	<p>BA5948FPE2</p> 	<p>2SC2458GR 2SA1048GR B1GCCFJJ0008 DTC143ESTP DTA124ESTP DTC124ESTP</p> 		<p>2SA1037AKSTX DTC114EUT106</p> 	<p>2SD1862QRTV6 2SB1238QSTV6</p> 
<p>2SD2137PQTA</p> 	<p>2SD1450S</p> 	<p>MA8056MTX</p> 	<p>1SS355TE17</p> 	<p>SLR325LCT31</p> 	<p>1D3-E</p> 
<p>RVD1SS133TA</p> 	<p>MA4330MTA MA4160MTA</p> 	<p>MA4056MTA MA4082MTA MA4051MTA</p> 			

12 Wiring Connection Diagram



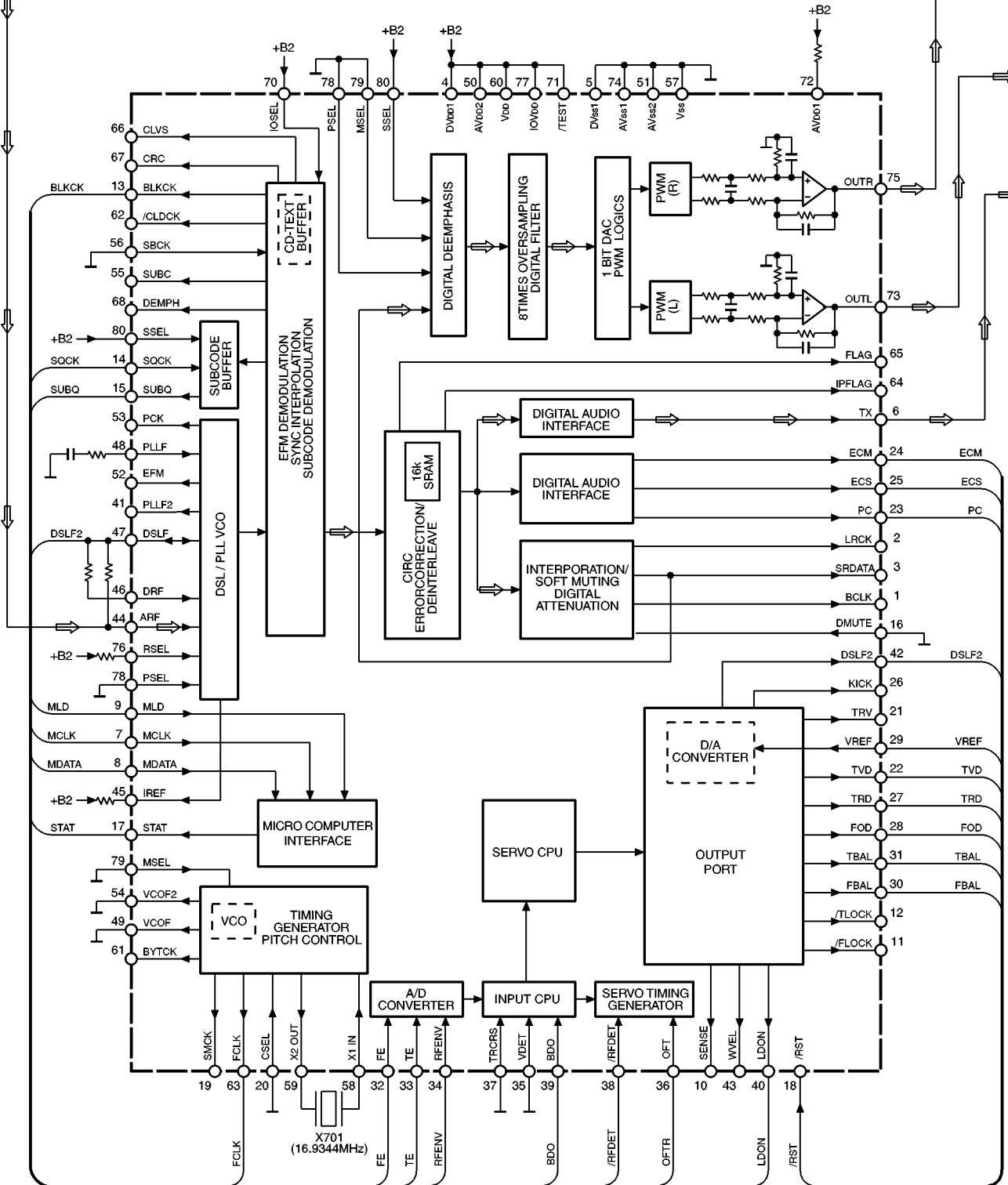
13 Block Diagram

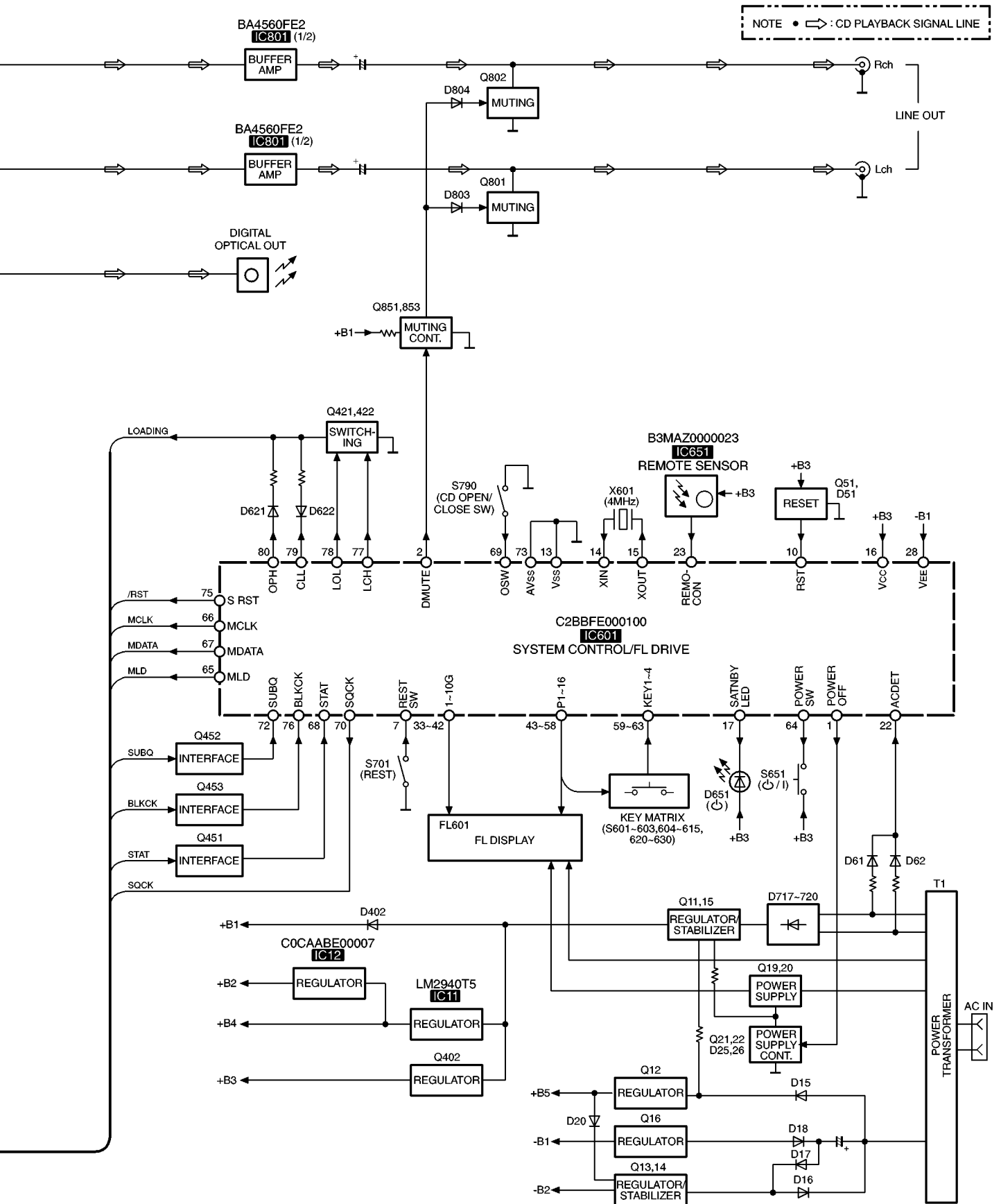


MN662790RSC

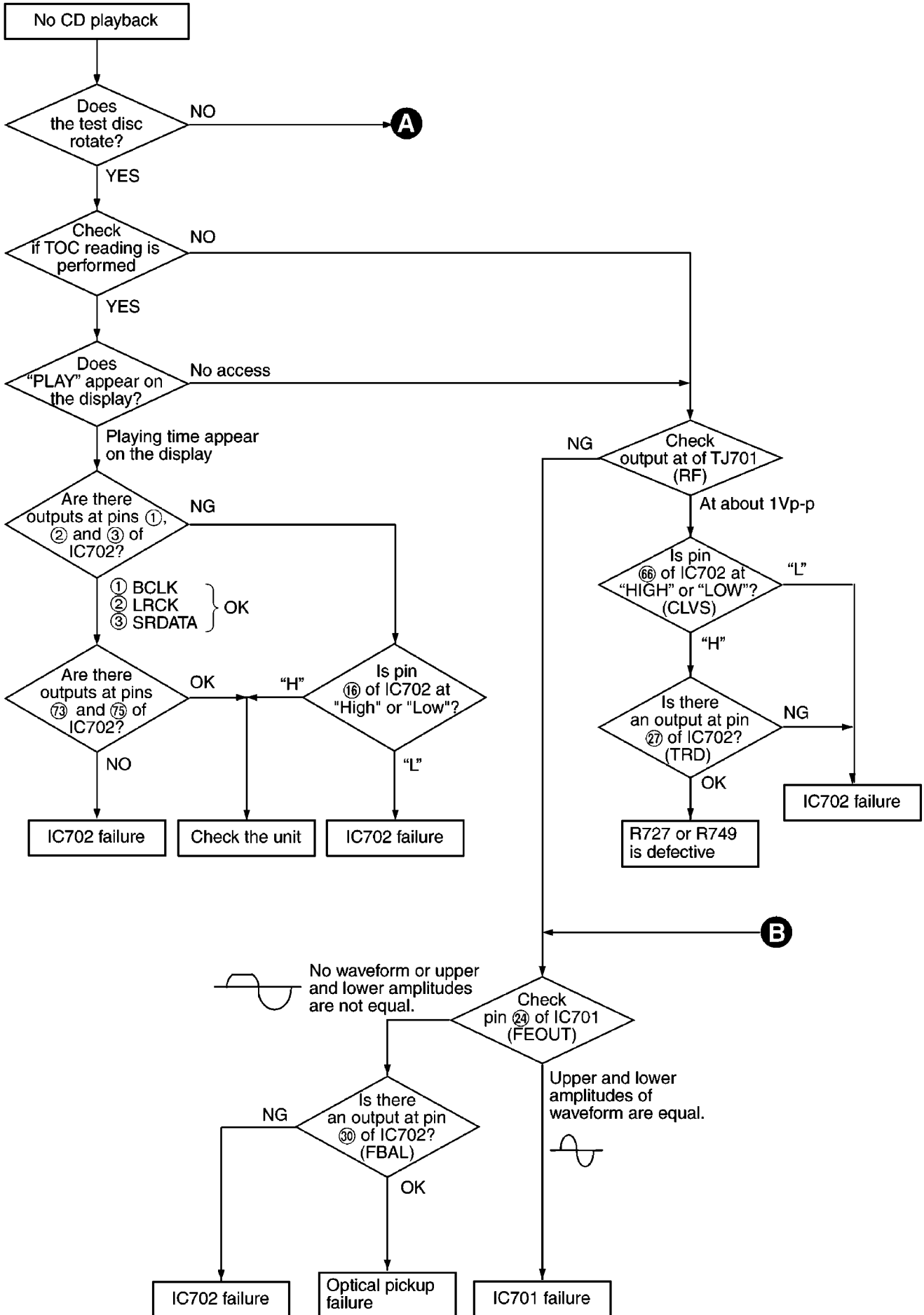
C702

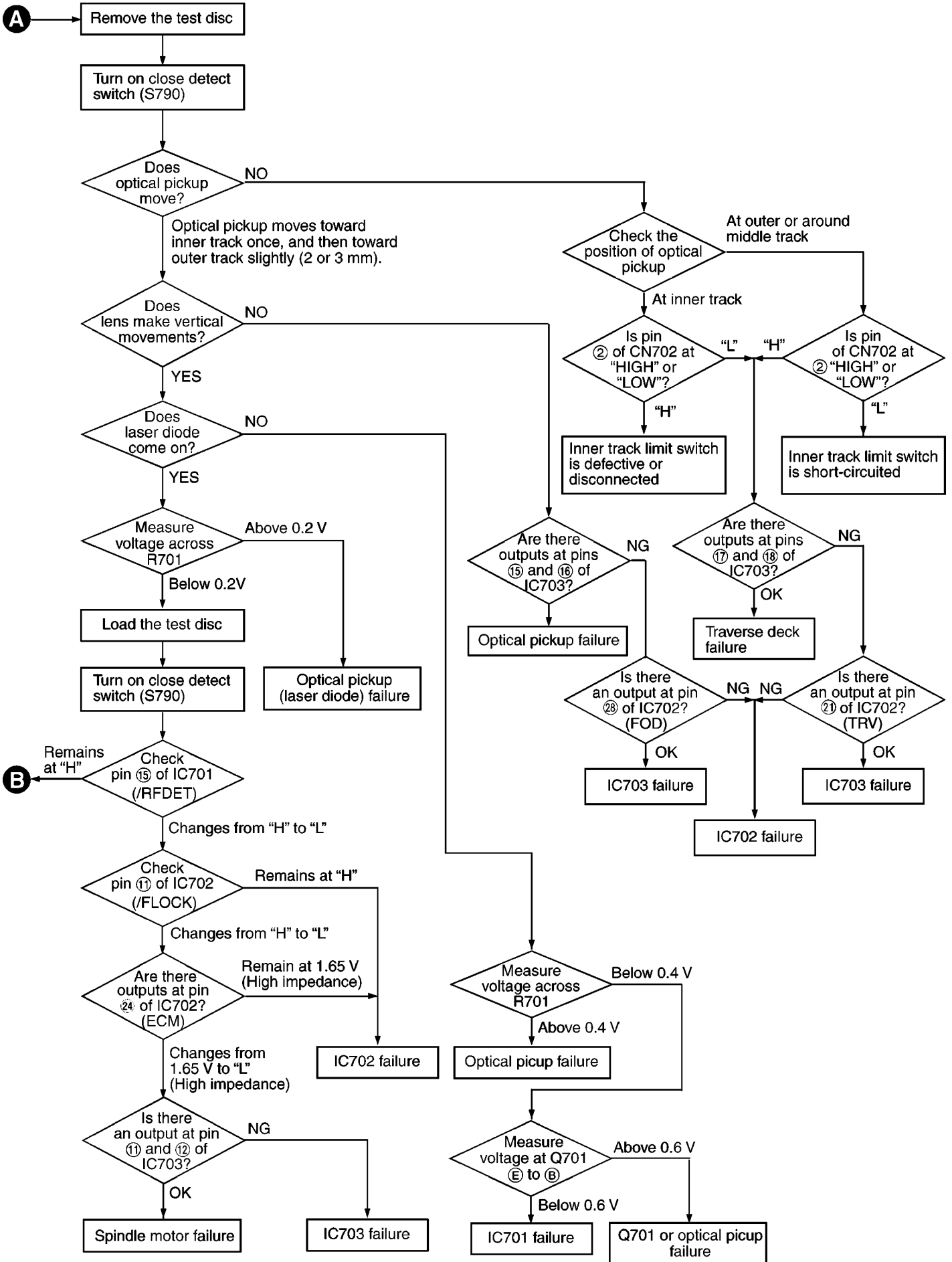
SERVO PROCESSOR / DIGITAL SIGNAL PROCESSOR
DIGITAL FILTER / D/A CONVERTER





14 Troubleshooting Guide





15 Terminal Function of ICs

15.1. IC601 (C2BBFE000100): System Control/FL Drive

Pin No.	Terminal Name	I/O	Function
1	POWER OFF	O	Power off command output
2	DMUTE	O	Muting signal output
3	M RST	-	Not used, open
4	EMPH	-	Not used, open
5	NC	-	Not used, open
6			
7	REST SW	I	Rest detect switch signal input
8	NC	-	Not used, connected to GND
9			
10	RST	I	Reset signal input
11	NC	-	Not used, open
12			
13	V _{SS}	-	GND terminal
14	XIN	I	Oscillator connected terminal (F=4 MHz)
15	XOUT	O	
16	V _{CC}	I	Power supply terminal
17	STANBY LED	O	LED (STANDBY) control signal output
18	PLAY LED	-	Not used, open
19	PAUSE LED	-	Not used, open
20	P43	-	Not used, connected to GND
21	P42	-	
22	AC DET	I	Power failure detect signal input
23	REMOCON	I	Remote control signal input
24	P87	-	Not used, open
27	P84	-	
28	V _{EE}	I	Power supply terminal (Negative)
29	P83	I	Not used, connected to GND
32	P80	I	
33	1G	O	FL grid drive signal output
42	10G	O	
43	P1	O	FL anode drive signal output
52	P10	O	
53	P11	O	FL anode drive signal and key scan signal
58	P16	O	
59	KEY1	I	Operation key signal input
63	KEY4	I	
64	POWER SW	I	Power key switch signal input
65	MLD	O	Microprocessor command load signal
66	MCLK	O	Microprocessor command clock
67	MDATA	O	Microprocessor command data
68	STAT	I	Status signal input
69	OSW	I	Disc tray open detect switch input
70	SQCK	O	External clock for sub-code Q resistor
71	NC	-	Not used, open
72	SUBQ	I	Sub-code Q data input
73	AV _{SS}	-	GND terminal
74	VREF	-	Not used, open
75	S RST	O	Reset signal output
76	BLKCK	I	Sub-code block clock signal
77	LCH	O	Traverse drive signal output
78	LOL	O	Traverse drive signal output
79	CLL	O	Traverse drive signal output
80	OPH	O	Traverse drive signal output

15.2. IC701(AN8885SBE1): Servo Amp

Pin No.	Terminal Name	I/O	Function
1	PDE	I	Tracking signal input (1) terminal
2	PDF	I	Tracking signal input (2) terminal
3	V _{CC}	I	Power supply terminal
4	PDA	I	Focus signal input (1) terminal
5	PDB	I	Focus signal input (2) terminal
6	LPD	I	APC amplifier input terminal
7	LD	O	APC amplifier output terminal
8	RF	O	RF addition output terminal
9	RF IN	I	RF detection signal input terminal
10	CSBRT	I	Capacitor connection terminal for OFTR (Connected to power supply through capacitor)
11	CEA	I	HPF amplifier capacitor connection input terminal (Connected to power supply through capacitor)
12	BDO	O	Dropout signal output terminal
13	LDON	I	APC control input terminal
14	GND	-	GND
15	/RFDET	O	RF detection signal output terminal
16	PDOWN	O	Reduced voltage detection signal output terminal
17	OFTR	O	Off-track signal output terminal
18	DEFLVL	I	Laser intermittent drive ON/OFF signal input
19	ENV	O	RF envelope signal output terminal
20	GCLT	I	Crystal frame clock
21	EQSW	-	Not used, connected to GND
22	TE N	I	Tracking error amplifier input terminal
23	TE OUT	O	Tracking error amplifier output terminal
24	FE OUT	O	Focus error amplifier output terminal
25	FE N	I	Focus error amplifier input terminal
26	VREF	O	Reference voltage output terminal
27	TBAL	I	Tracking balance signal input terminal
28	FBAL	I	Focus balance signal input terminal

15.3. IC702 (MN662790RSC): Servo Processor/Digital Signal Processor/Digital Filter/ D/A converter

Pin No.	Terminal Name	I/O	Function
1	BCLK	-	Serial bit clock output (Not used, open)
2	LRCK	-	L/R discriminating signal output (Not used, open)
3	SRDATA	-	Serial data signal output (Not used, open)
4	DV _{DD1}	I	Power supply terminal
5	DV _{SS1}	-	GND terminal
6	TX	O	Digital audio interface signal output
7	MCLK	I	Command clock signal input
8	MDATA	I	Command data signal input
9	MLD	I	Command load signal input
10	SENSE	-	Sense signal (Not used, open)
11	/FLOCK	-	Optical servo condition (focus) (Not used, open)
12	/TLOCK	-	Optical servo condition (tracking) (Not used, open)
13	BLKCK	O	Sub-code block clock signal output (f=75 Hz)
14	SQCK	I	Sub-code Q resistor clock signal input

Pin No.	Terminal Name	I/O	Function
15	SUBQ	O	Sub-code Q data signal output
16	DMUTE	I	Muting input (Not used, connected to GND)
17	STAT	O	Status signal output
18	/RST	I	Reset signal input (L: reset)
19	SMCK	-	System clock (Not used, open)
20	CSEL	I	Frequency control terminal of crystal oscillator (Connected to GND)
21	TRV	-	Traverse servo control signal output (Not used, open)
22	TVD	O	Traverse drive signal output
23	PC	O	Turntable motor drive signal output (L: ON)
24	ECM	O	Turntable motor drive signal output (Forced mode)
25	ECS	O	Turntable motor drive signal output (Servo error signal)
26	KICK	-	Kick pulse output (Not used, open)
27	TRD	O	Tracking drive signal output
28	FOD	O	Focus drive signal output
29	VREF	I	D/A drive output normal voltage input
30	FBAL	O	Focus balance adj. output
31	TBAL	O	Tracking balance adj. output
32	FE	I	Focus error signal input
33	TE	I	Tracking error signal input
34	RFENV	I	RF envelope signal input
35	VDET	I	Oscillator detect signal input (H: detect)
36	OFT	I	Off track signal input (H: Off track)
37	TRCRS	I	Track cross signal input
38	/RFDET	I	RF detect signal input (L: detect)
39	BDO	I	Dropout detection signal input (H: dropout)
40	LDON	O	Laser power control signal output (H: ON)
41	PLL2	-	PLL loop filter terminal (Not used, open)
42	DSL2	O	DSL loop filter terminal
43	WVEL	-	Double velocity status signal output (Not used, open)
44	ARF	I	RF signal input
45	IREF	I	Reference current input
46	DRF	I	DSL bias terminal
47	DSL2	I/O	DSL loop filter terminal
48	PLL2	I/O	PLL loop filter terminal
49	VCOF	-	VCO loop filter terminal (Not used, connected to GND)
50	AV _{DD} 2	I	Power supply terminal
51	AV _{SS} 2	-	GND terminal
52	EFM	-	EFM signal (Not used, open)
53	PCK	-	PLL extract clock (Not used, open)
54	VCOF2	-	VCO loop filter terminal (Not used, connected to GND)
55	SUBC	-	Sub-code serial output clock (Not used, open)
56	SBCK	-	Sub-code serial input data (Not used, connected to GND)
57	V _{SS}	-	GND terminal
58	X1 IN	I	Crystal oscillator terminal (F=16.9344 MHz)
59	X2 OUT	O	
60	V _{DD}	I	Power supply terminal
61	BYTCK	-	Byte clock signal (Not used, open)
62	/CLDCK	-	Sub-code frame clock signal (Not used, open)
63	FCLK	O	Crystal frame clock
64	IPFLAG	-	Interpolation flag terminal (Not used, open)
65	FLAG	-	Flag terminal (Not used, open)
66	CLVS	-	Turntable servo phase synchro signal (Not used, open)
67	CRC	-	Sub-code CRC check terminal (Not used, open)
68	DEMPH	-	De-emphasis ON signal (Not used, open)
69	RESY	-	Re-synchronizing signal of frame sync. (Not used, open)

Pin No.	Terminal Name	I/O	Function
70	IOSEL	I	I/O select signal input (Connected to V _{DD})
71	/TEST	I	Test terminal (Not used, connected to power supply)
72	AV _{DD} 1	I	Power supply terminal
73	OUTL	O	L ch audio signal output
74	AV _{SS} 1	-	GND terminal
75	OUTR	O	R ch audio signal output
76	RSEL	I	Polarity direction control terminal of RF signal (Not used, connected to power supply)
77	IOV _{DD}	I	Power supply terminal
78	PSEL	I	Test terminal (Connected to GND)
79	MSEL	I	Output frequency select signal input (Connected to GND)
80	SSEL	I	SUBQ output mode select signal input (Not used, connected to V _{DD})

15.4. IC703 (BA5948FPE2): Focus Coil/Tracking Coil/ Traverse Motor/Spindle Motor Drive

Pin No.	Terminal Name	I/O	Function
1	IN2	I	Traverse motor drive signal input
2	PC	-	Not used, connected to GND
3	IN1	I	Spindle motor control signal input (Servo control)
4	PC1	I	Spindle motor control signal input
5	NC	-	Not used, open
8			
9	PGND	-	GND
10	PV _{CC} 1	I	Power supply terminal 1
11	D1-	O	Spindle motor driver 1 output terminal (-)
12	D1+	O	Spindle motor driver 1 output terminal (+)
13	D2-	O	Traverse motor driver 2 output terminal (-)
14	D2+	O	Traverse motor driver 2 output terminal (+)
15	D3-	O	Focus coil signal output terminal (-)
16	D3+	O	Focus coil signal output terminal (+)
17	D4-	O	Tracking coil signal output terminal (-)
18	D4+	O	Tracking coil signal output terminal (+)
19	PV _{CC} 2	I	Power supply terminal 2
20	PGND	-	GND
21	NC	-	Not used, connected to V _{CC}
22	NC	-	Not used, open
24			
25	V _{CC}	I	Power supply terminal
26	VREF	I	Reference voltage input terminal
27	IN4	I	Tracking drive signal input
28	IN3	I	Focus drive signal input

16 Replacement Parts List

Notes:

- Important safety notice:

Components identified by Δ mark have special characteristics important for safety.

Furthermore, special parts which have purposes of fire-retardant (resistors), high-quality sound (capacitors), low-noise (resistors), etc. are used.

When replacing any of components, be sure to use only manufacturer's specified parts shown in the parts list.

- The parenthesized indications in Remarks columns specify the area. (Refer to the cover page for the area.)
- The <IA> <IB> <IC> and <ID> marks in Remarks indicate language of instruction manual.

<IA>: German, Italian, French

<IB>: Netherlands, Danish

<IC>: English

<ID>: English, Spanish, Swedish

- The marking [RTL] indicates that Retention Time is Limited for this item. After the discontinuation of this assembly in production, the item will continue to be available for a specific period of time. The retention period of availability is dependent on the type of assembly, and in accordance with the laws governing part and product retention. After the end of this period, the assembly will no longer be available.
- The marking <MAVD> indicates in Remarks columns parts that are supplied by MAVD.
- Other all parts are supplied by MESA.

Ref. No.	Part No.	Part Name & Description	Pcs	Remarks
1	RKM0098A-K	TOP CABINET	1	<MAVD>
2	RYP0981Z-K	FRONT PANEL ASS'Y	1	<MAVD>
2-1	RGU1948-K	BUTTON,MAIN	1	<MAVD>
2-2	RGU1950-K	BUTTON,SUB	1	<MAVD>
2-3	RGU1949-K	BUTTON,OPERATION	1	<MAVD>
2-4	RGF0844D-K	FRONT PANEL	1	<MAVD>
3	RGU1029-K	BUTTON,POWER	1	
4	RGL0267-Q	LED INDICATOR	1	
5	RHD26021	SCREW	10	
6	RKA0040B-K1	FOOT	2	
6-1	RMG0384-T	RUBBER	2	<MAVD>
7	XTBS3+8JFZ1	SCREW	7	
8	XTBR3+20JFZ	SCREW	1	
9	RHD30053	SCREW	3	
10	RMR1353-W	SPACER	2	<MAVD>
11	REX1054	WIRE CABLE (2P)	1	<MAVD> Δ
12	XTB3+8JFZ	SCREW	9	
13	XTB3+10JFZ	SCREW	4	
14	RHD30035-K1	SCREW	4	
15	RMR1354-W	HOLDER	1	<MAVD>
16	RGK1338A-K	TRAY LID	1	<MAVD>
17	REZ1348	FFC CABLE (19P)	1	<MAVD>
18	REZ1349	FFC CABLE (22P)	1	<MAVD>
19	RGN1977-K	NAME PLATE	1	(E) <MAVD>
20	RMV0212	SHEET	3	<MAVD>
21	RMG0384-T	RUBBER	2	<MAVD>
301	RAR0155Z	TRAVERSE UNIT	1	Δ
302	RDG0455	TRV GEAR (A)	1	
303	RDG0456	TRV GEAR (B)	1	
304	RFKNCT100	TRV BASE UNIT	1	
304-1	RDG0457	LOAD GEAR (A)	1	
304-2	RDG0458	LOAD GEAR (B)	1	
304-3	RDG0459	LOAD GEAR (C)	1	

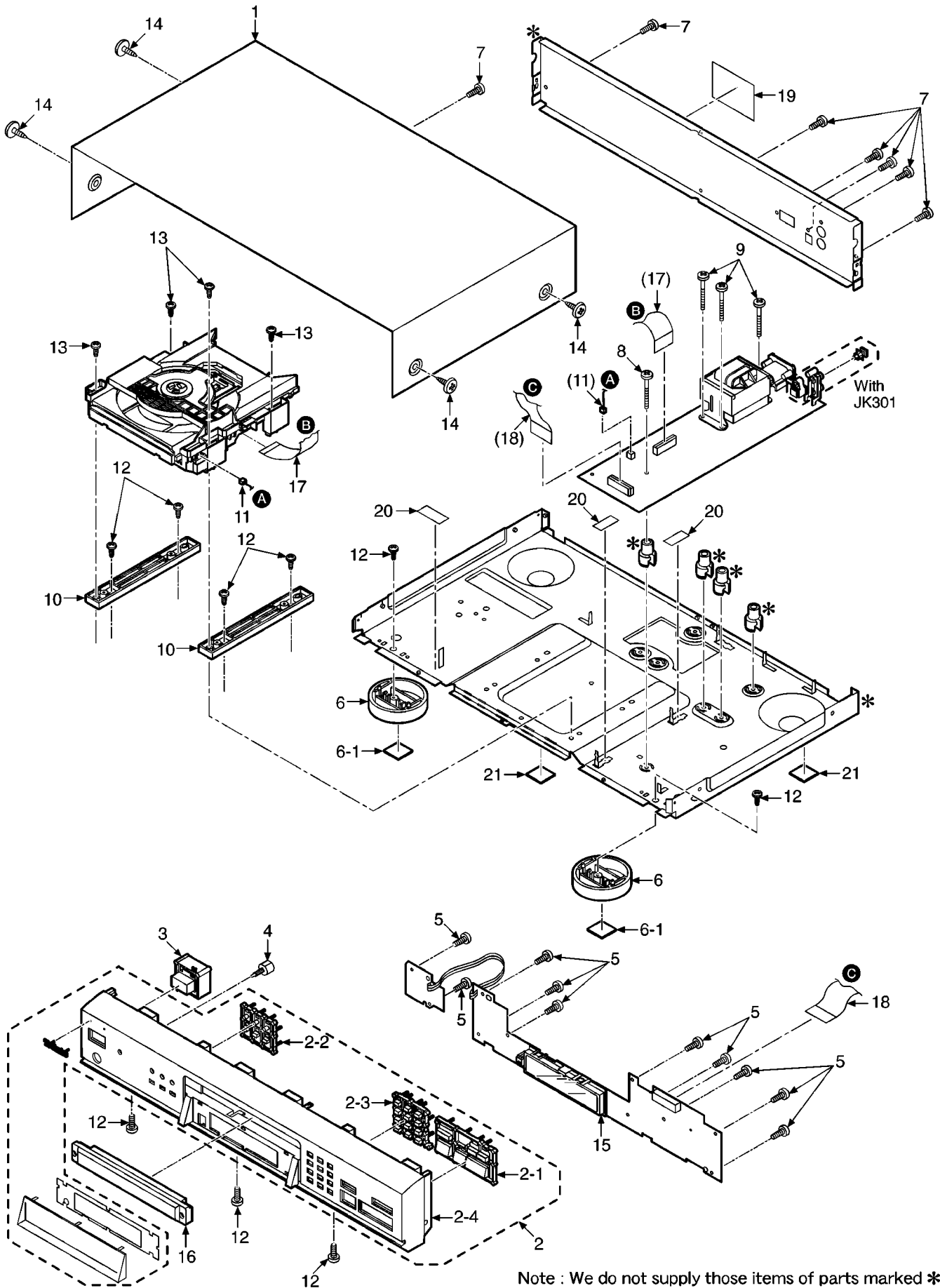
Ref. No.	Part No.	Part Name & Description	Pcs	Remarks
304-4	RME0290	SPRING	1	
304-5	RME0291	SPRING	1	
304-6	RML0551	LEVER	1	
304-7	RML0552	LEVER	1	
304-8	RMM0219	STOPPER	1	
304-9	XQN17+C28F	SCREW	2	
304-10	RXQ0632	TRV MOTOR UNIT	1	
305	RDG0460	CAM GEAR	1	
306	RDG0461	DRIVE GEAR	1	
307	RGQ0254-K	TRAY	1	
308	RHM245ZA	MAGNET	1	
309	RMB0603	SPRING	1	
310	RME0288	SPRING	1	
311	RFKNXED50-S	CLAMPER HOLDER ASS'Y	1	
312	RMG0510-K	FLOATING RUBBER (A)	2	
313	RMG0511-K	FLOATING RUBBER (B)	1	
314	RMK0422	MECHA CHASSIS	1	
315	RMM0218	TRV DRIVE RACK	1	
316	RHD30083	SCREW	1	
317	RMR1223-K	CLAMP PLATE	1	
318	RMR1242-X1	FIXED PLATE	1	
319	RSH1A049-U	SWITCH,OPEN (S790)	1	K0F111E00093
320	XTN2+6G	SCREW	4	
321	RXQ0704	OPTICAL PICK-UP ASS'Y	1	Δ
A1	RQCB0169	SERVICE CENTER LIST	1	
A2	RJA0043-1C	AC POWER SUPPLY CORD	1	(E,EG) <MAVD> Δ
A2	RJA0044-3C	AC POWER SUPPLY CORD	1	(EB) <MAVD> Δ
A3	RJL2P004B08A	PIN CORD	1	
A4	RQT5696-D	INSTRUCTION MANUAL	1	(EG) <IA><MAVD>
A4	RQT5697-H	INSTRUCTION MANUAL	1	(EG) <IB><MAVD>
A4	RQT5698-B	INSTRUCTION MANUAL	1	(E,EB) <IC> <MAVD>
A4	RQT5699-E	INSTRUCTION MANUAL	1	(E) <ID> <MAVD>
C1-C3	ECBT1H104ZF5	50V 0.1U	3	F1E1H104A001
C10	ECBT1H104ZF5	50V 0.1U	1	F1E1H104A001
C11	ECA1CM222	2200U	1	Δ
C12	ECBT1C103NS5	16V 0.01U	1	
C14	ECEA0JKS101	6.3V 100U	1	
C15	ECA1EM101	100U	1	Δ
C16	ECA1EM331B	330U	1	Δ
C17,18	ECA1HML01	100U	2	Δ
C19	ECA1EM101	25V 100U	1	
C22	ECA1AM331	10V 330U	1	
C23	ECBT1H102KB5	50V 1000P	1	F1D1H102A012
C24	ECEA0JKS470	6.3V 47U	1	
C25	ECBT1H104ZF5	50V 0.1U	1	F1E1H104A001
C26,27	ECBT1H102KB5	50V 1000P	2	F1D1H102A012
C51	ECEA1HKS2R2	50V 2.2U	1	
C61	ECBT1C103NS5	16V 0.01U	1	
C311	ECBT1H104ZF5	50V 0.1U	1	F1E1H104A001
C403	ECBT1C103NS5	16V 0.01U	1	
C405	ECEA0JKS101	6.3V 100U	1	
C452-55	ECBT1H150JC5	50V 15P	4	
C601,02	ECUV1E103KBV	25V 0.01U	2	
C651	ECEA0JKS470	6.3V 47U	1	
C701	ECEA0JKA330I	6.3V 33U	1	
C702	ECUV1C104KBV	16V 0.1U	1	F1H1C104A042
C703	ECEA0JKS101	6.3V 100U	1	
C704	ECUV1C104KBV	16V 0.1U	1	F1H1C104A042
C706	ECUV1H272KBV	50V 2700P	1	
C707	ECUV1E273KBV	25V 0.027U	1	
C710	ECUV1H121JCV	50V 120P	1	
C711-13	ECUV1C104KBV	16V 0.1U	3	F1H1C104A042

Ref. No.	Part No.	Part Name & Description	Pcs	Remarks
C714	ECEA0JKS101	6.3V 100U	1	
C715	ECUV1H272KBV	50V 2700P	1	
C716	ECUV1H821KBV	50V 820P	1	
C717	ECUV1E104ZFV	25V 0.1U	1	
C718	ECUV1A224KBV	10V 0.22U	1	FIH1A224A001
C721,22	ECUV1H100JCV	50V 10P	2	FIH1H100A244
C723	ECEA1AKS221	10V 220U	1	
C724	ECUV1C104KBV	16V 0.1U	1	FIH1C104A042
C725,26	ECUV1H102KBV	50V 1000P	2	
C727,28	ECA1HAK010XI	50V 1U	2	
C730	ECUV1E104ZFV	25V 0.1U	1	
C731	ECA0JAK22LXI	6.3V 220U	1	
C732	ECEA1AKS221	10V 220U	1	
C733	ECUV1C104KBV	16V 0.1U	1	FIH1C104A042
C734	ECEA1AKS221	10V 220U	1	
C735-37	ECUV1E104ZFV	25V 0.1U	3	
C738	ECUV1C563KBV	16V 0.056U	1	
C739	ECUV1H222KBV	50V 2200P	1	
C742	ECUV1E273KBV	25V 0.027U	1	
C743	ECUV1E104ZFV	25V 0.1U	1	
C744	ECUV1H562KBV	50V 5600P	1	
C745	ECUV1E104ZFV	25V 0.1U	1	
C747	ECUV1H181JCV	50V 180P	1	
C749	ECUV1H222KBV	50V 2200P	1	
C750,51	ECUV1C104KBV	16V 0.1U	2	FIH1C104A042
C752	ECUV1H152KBV	50V 1500P	1	
C753,54	ECUV1H471KBV	50V 470P	2	FIH1H471A013
C769	ECUV1A224KBV	10V 0.22U	1	FIH1A224A001
C803-06	ECBT1H391KB5	50V 390P	4	FLD1H391A012
C807,08	ECEA0JKS470	6.3V 47U	2	
C809,10	ECBT1H102KB5	50V 1000P	2	FLD1H102A012
C817	ECBT1H104ZP5	50V 0.1U	1	FL1E1H104A001
CN401	RJS1A6819	CONNECTOR (19P)	1	K1MN19A00013
CN402	RJP2G18ZA	CONNECTOR (2P)	1	K1KA02A00229
CN411	RJS1A6822	CONNECTOR (22P)	1	K1MN22A00020
CN611	RJS1A6222-1	CONNECTOR (22P)	1	K1MN22C00001
CN701	RJS2A8616	CONNECTOR (16P)	1	
CN702	RJS1A9319	CONNECTOR (19P)	1	
D11-18	1D3-E	DIODE	8	△
D19	MA4330M	DIODE	1	MAZ43300M △
D20	RVD1SS133TA	DIODE	1	BOAACK000004
D21,22	MA4082M	DIODE	2	MAZ40820M △
D23	MA4160M	DIODE	1	MAZ41600M △
D25,26	RVD1SS133TA	DIODE	2	BOAACK000004
D51	1SS355TE17	DIODE	1	BOAACK000005
D61,62	RVD1SS133TA	DIODE	2	BOAACK000004
D63	MA4051M	DIODE	1	MAZ40510M
D401	MA4056M	DIODE	1	MAZ40560M △
D402	1D3-E	DIODE	1	
D601-06	1SS355TE17	DIODE	6	BOAACK000005
D621,22	1SS355TE17	DIODE	2	BOAACK000005
D651	SLR325LCT31	LED	1	<MAVD>
D750	MA8056M	DIODE	1	MAZ80560M
D803,04	RVD1SS133TA	DIODE	2	BOAACK000004
FC651	RWJ1803150KK	FLAT CABLE (3P)	1	
FL601	A2BA00000207	FL DISPLAY	1	<MAVD>
IC11	LM2940T5	IC	1	C0CAADG00019 △
IC12	C0CAABE00007	IC	1	△
IC601	C2BBFE000100	IC	1	<MAVD>
IC651	B3MAZ0000023	IC	1	<MAVD>
IC701	AN8885BEE1	IC	1	
IC702	MN662790RSC	IC	1	
IC703	BA5948FPE2	IC	1	
IC801	BA4560FE2	IC	1	

Ref. No.	Part No.	Part Name & Description	Pcs	Remarks
JK301	T0TX178A	JACK,DIGITAL OPT.OUT	1	B3RAE0000007
JK801	SJF3068-11N	JACK,LINE OUT	1	<MAVD>
JK1001	SJS9236-1	JACK,AC IN	1	K2AA2B000002 △
P1	RP65206	PACKING CASE	1	<MAVD>
P2	RPN1369	CUSHION	1	<MAVD>
P3	XZB23X35C04Y	BAG	1	<MAVD>
P4	SPP730	PROTECTION SHEET	1	
PCB1	REP3110C-M	MAIN PCB ASS'Y	1	[RTL] <MAVD>
PCB2	REP3111A-S	OPERATION PCB ASS'Y	1	[RTL] <MAVD>
Q11	2SD2137PQTA	TRANSISTOR	1	2SD21370PA △
Q12	2SC2458GR	TRANSISTOR	1	△
Q13-15	2SA1048GR	TRANSISTOR	3	△
Q16	2SB1238QSTV6	TRANSISTOR	1	△
Q19,20	2SD1450S	TRANSISTOR	2	2SD14500S
Q21	DTA124ESTP	TRANSISTOR	1	B1GCCFLL0003
Q22	2SC2458GR	TRANSISTOR	1	
Q51	DTC114EUT106	TRANSISTOR	1	B1GBCFJJ0009
Q402	2SD1862QRTV6	TRANSISTOR	1	B1BACD000012 △
Q421	2SA1048GR	TRANSISTOR	1	
Q422	2SC2458GR	TRANSISTOR	1	
Q451-53	DTC143ESTP	TRANSISTOR	3	
Q701	2SA1037AKSTX	TRANSISTOR	1	
Q801,02	2SD1450S	TRANSISTOR	2	2SD14500S
Q851	DTC124EST	TRANSISTOR	1	B1GACFLL0006
Q853	B1GCCFJJ0008	TRANSISTOR	1	<MAVD>
R1	ERQ16NKWR15E	0.15	1	△
R12,13	ERDS2FJ102	1/4W 1K	2	
R14	ERDS2FJ103	1/4W 10K	1	
R15	ERDS2FJ822	1/4W 8.2K	1	
R16	ERDS2FJ680	1/4W 68	1	
R17	ERDS2FJ331	1/4W 330	1	
R18	ERDS2FJ473	1/4W 47K	1	
R19	ERDS2FJ472	1/4W 4.7K	1	
R23	ERDS2FJ103	1/4W 10K	1	
R28-30	ERDS2FJ103	1/4W 10K	3	
R51	ERJ6GEYJ104V	1/10W 100K	1	
R61,62	ERDS2FJ222	1/4W 2.2K	2	
R63	ERDS2FJ103	1/4W 10K	1	
R311	ERDS2FJ331	1/4W 330	1	
R401	ERDS2FJ102	1/4W 1K	1	
R405,06	ERDS2FJ221	1/4W 220	2	
R407	ERDS2FJ101	1/4W 100	1	
R408,09	ERDS2FJ103	1/4W 10K	2	
R413	ERDS2FJ102	1/4W 1K	1	
R421,22	ERDS2FJ102	1/4W 1K	2	
R423	ERDS2FJ393	1/4W 39K	1	
R424	ERDS2FJ101	1/4W 100	1	
R451-55	ERDS2FJ472	1/4W 4.7K	5	
R456-66	ERDS2FJ103	1/4W 10K	11	
R601-06	ERJ6GEYJ473V	1/10W 47K	6	
R607,08	ERJ6GEYJ104V	1/10W 100K	2	
R611-14	ERJ6GEYJ150V	1/10W 15	4	D0GD150JA003
R621,22	ERJ6GEYJ102V	1/10W 1K	2	
R631-38	ERJ6GEYJ103V	1/10W 10K	8	
R651	ERJ6GEYJ221V	1/10W 220	1	
R652	ERJ6GEYJ103V	1/10W 10K	1	
R701	ERJ3GEYJ4R7V	1/16W 4.7	1	
R702	ERJ3GEYJ103V	1/16W 10K	1	D0GB103JA002
R704	ERJ3GEYJ102V	1/16W 1K	1	
R705	ERJ3GEYJ154V	1/16W 150K	1	
R706	ERJ3GEYJ102V	1/16W 1K	1	
R707	ERJ3GEYJ393V	1/16W 39K	1	D0GB393JA002
R708	ERJ3GEYJ223V	1/16W 22K	1	D0GB223JA002
R709	ERJ3GEYJ473V	1/16W 47K	1	D0GB473JA002
R711	ERJ3GEYJ823V	1/16W 82K	1	D0GB823JA002

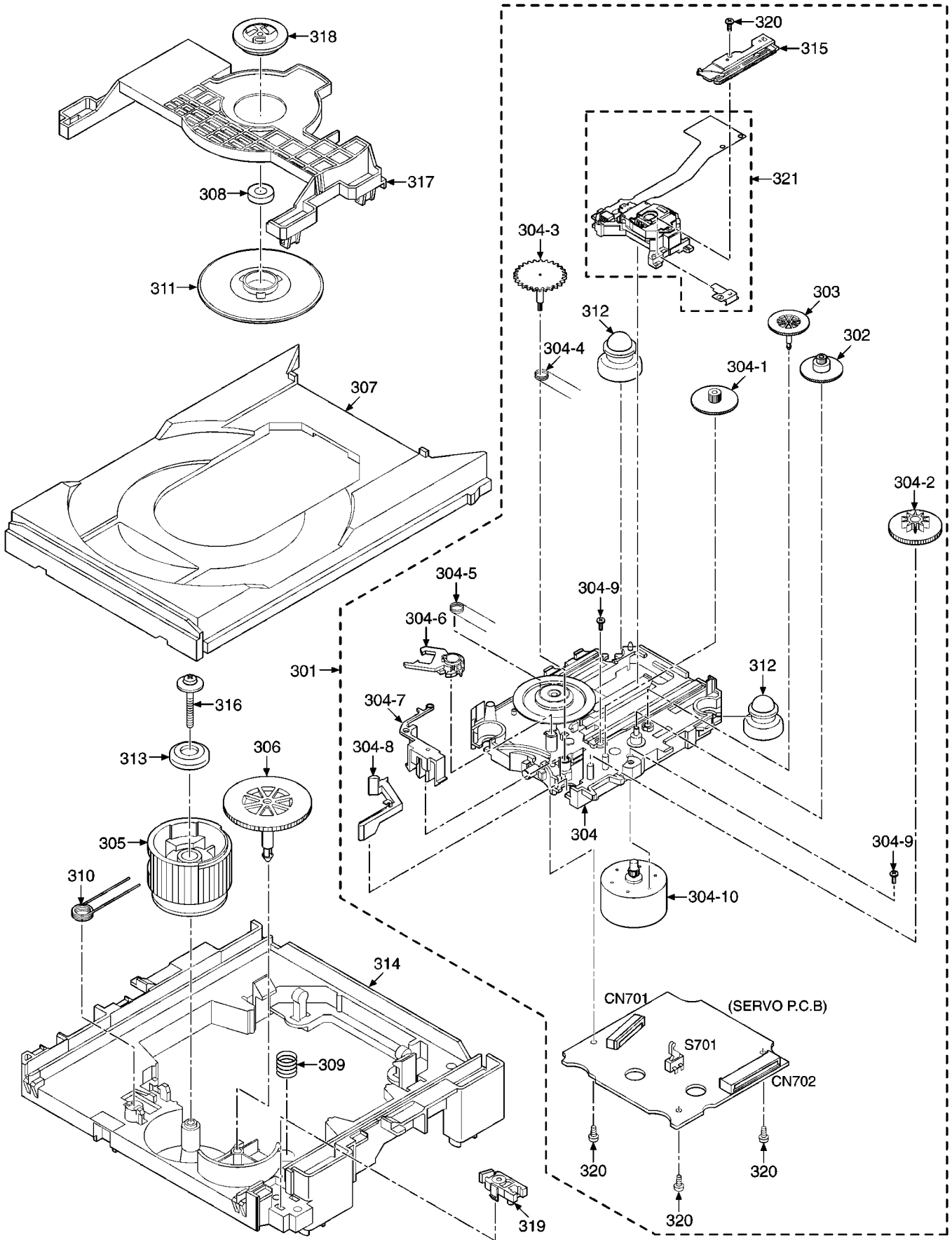
Ref. No.	Part No.	Part Name & Description	Pcs	Remarks
R712	ERJ3GEYJ221V	1/16W 220	1	
R714	ERJ3GEYJ101V	1/16W 100	1	
R715	ERJ3GEYJ102V	1/16W 1K	1	
R717,18	ERJ3GEYJ102V	1/16W 1K	2	
R721	ERJ3GEYJ101V	1/16W 100	1	
R723	ERJ3GEYJ103V	1/16W 10K	1	D0GB103JA002
R724	ERJ3GEYJ153V	1/16W 15K	1	
R725	ERJ3GEYJ681V	1/16W 680	1	D0GB681JA002
R727	ERJ3GEYJ272V	1/16W 2.7K	1	
R728	ERJ3GEYJ222V	1/16W 2.2K	1	
R729	ERJ3GEYJ272V	1/16W 2.7K	1	
R731	ERJ3GEYJ103V	1/16W 10K	1	D0GB103JA002
R732	ERJ3GEYJ102V	1/16W 1K	1	
R735,36	ERJ3GEYJ101V	1/16W 100	2	
R741	ERJ3GEYJ473V	1/16W 47K	1	D0GB473JA002
R742	ERJ3GEYJ224V	1/16W 220K	1	D0GB224JA002
R744	ERJ3GEYJ124V	1/16W 120K	1	D0GB124JA002
R749	ERJ3GEYJ272V	1/16W 2.7K	1	
R753	ERJ3GEYJ100V	1/16W 10	1	
R754	ERJ3GEYJ5R6	1/16W 5.6	1	<MAVD>
R760	ERJ3GEYJ221V	1/16W 220	1	
R761	ERJ3GEYJ472V	1/16W 4.7K	1	D0GB472JA002
R803,04	ERDS2FJ224	1/4W 220K	2	
R805,06	ERDS2FJ472	1/4W 4.7K	2	
R807,08	ERDS2FJ682	1/4W 6.8K	2	
R809,10	ERDS2FJ333	1/4W 33K	2	
R811,12	ERDS2FJ683	1/4W 68K	2	
R813-16	ERDS2FJ102	1/4W 1K	4	
R817,18	ERDS2FJ473	1/4W 47K	2	
R819,20	ERDS2FJ100	1/4W 10	2	
R823,24	ERDS2FJ103	1/4W 10K	2	
R825,26	ERDS2FJ123	1/4W 12K	2	
R851	ERDS2FJ102	1/4W 1K	1	
R852	ERDS2FJ222	1/4W 2.2K	1	
RJ601-22	ERJ6GEY0R00V	CHIP JUMPER	22	
RJ701-03	ERJ3GEY0R00V	CHIP JUMPER	3	
RJ709-16	ERJ3GEY0R00V	CHIP JUMPER	8	
RJ722-24	ERJ3GEY0R00V	CHIP JUMPER	3	
RJ726-28	ERJ3GEY0R00V	CHIP JUMPER	3	
RJ731,32	ERJ3GEY0R00V	CHIP JUMPER	2	
RJ734	ERJ3GEY0R00V	CHIP JUMPER	1	
S601	EVQ21405R	SW, TIME MODE	1	EVQ21405RJ
S604-15	EVQ21405R	SW, PUSH	12	EVQ21405RJ
S620-30	EVQ21405R	SW, PUSH	11	EVQ21405RJ
S651	EVQ21405R	SW, POWER	1	EVQ21405RJ
S701	RSH1A048-A	SW, REST	1	
S790	RSH1A049-U	SW, OPEN	1	
T1	ETP50JFV61DA	POWER TRANSFORMER	1	<MAVD> ⚠
X601	H2D400400006	OSCILLATOR	1	<MAVD>
X701	RSXC16M9S04	OSCILLATOR	1	

17 Cabinet Parts Location



Note : We do not supply those items of parts marked *.

18 Loading Unit Parts Location



19 Packaging

