

SCHEMATIC DIAGRAM-1

NOTE:

The number which noted at the connectors on the schematic diagram as

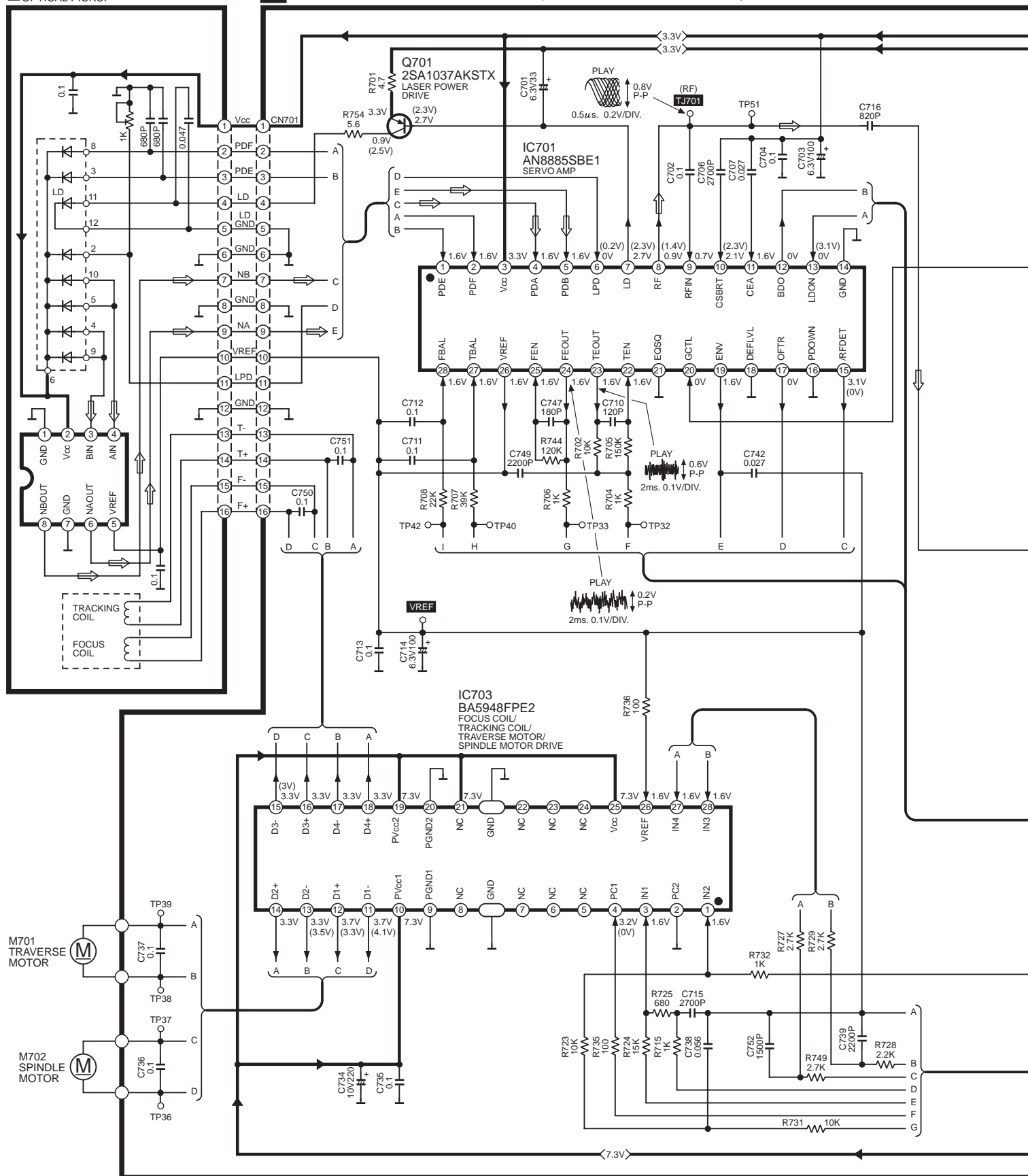
"SCHEMATIC DIAGRAM-1" or "SCHEMATIC DIAGRAM-2"

indicates the schematic diagram serial number located on the left corner in the schematic diagram.

OPTICAL PICKUP

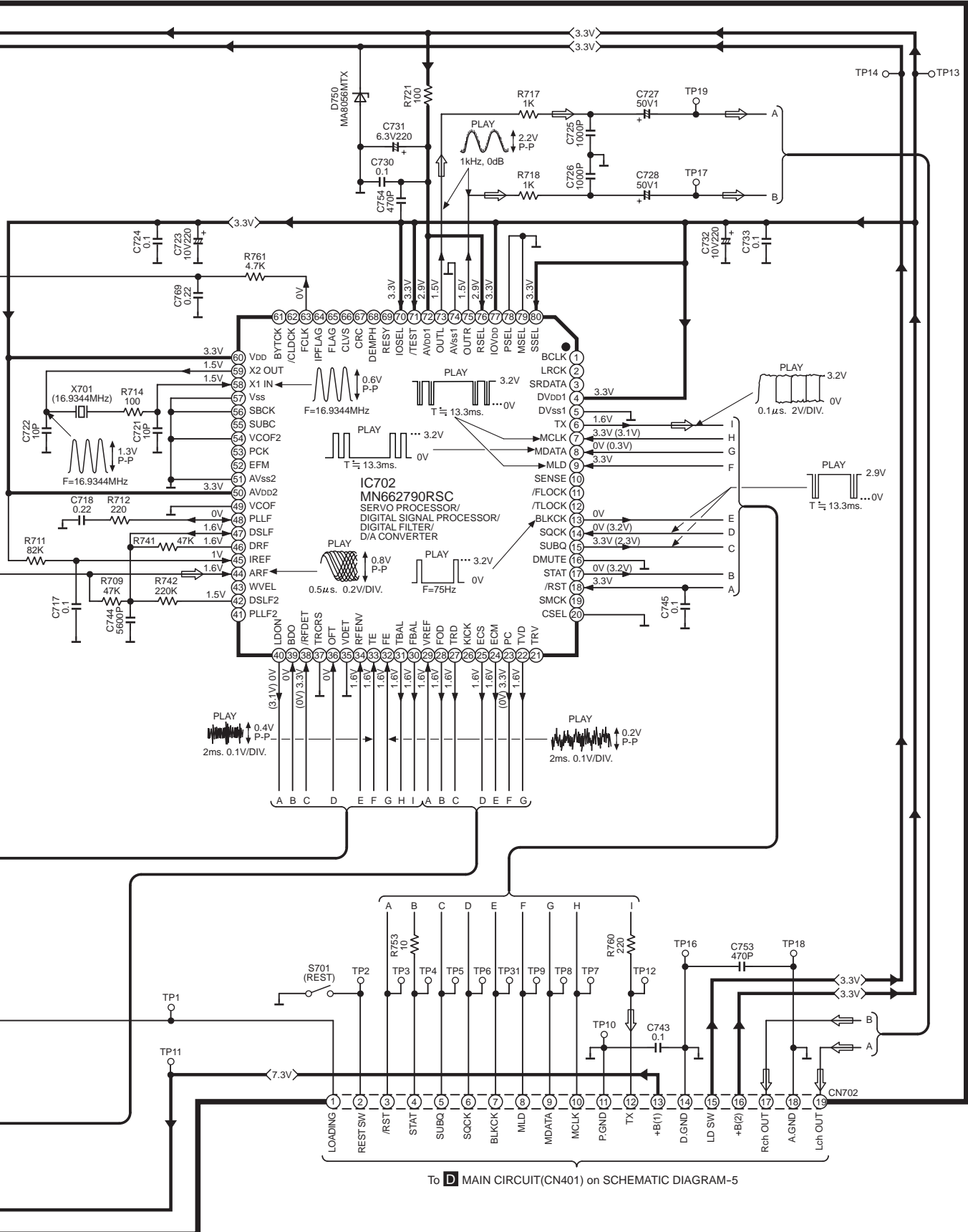
A CD SERVO CIRCUIT

→ POSITIVE VOLTAGE LINE ⇨ CD PLAYBACK SIGNAL LINE



SCHEMATIC DIAGRAM-2

→ : POSITIVE VOLTAGE LINE ⇨ : CD PLAYBACK SIGNAL LINE

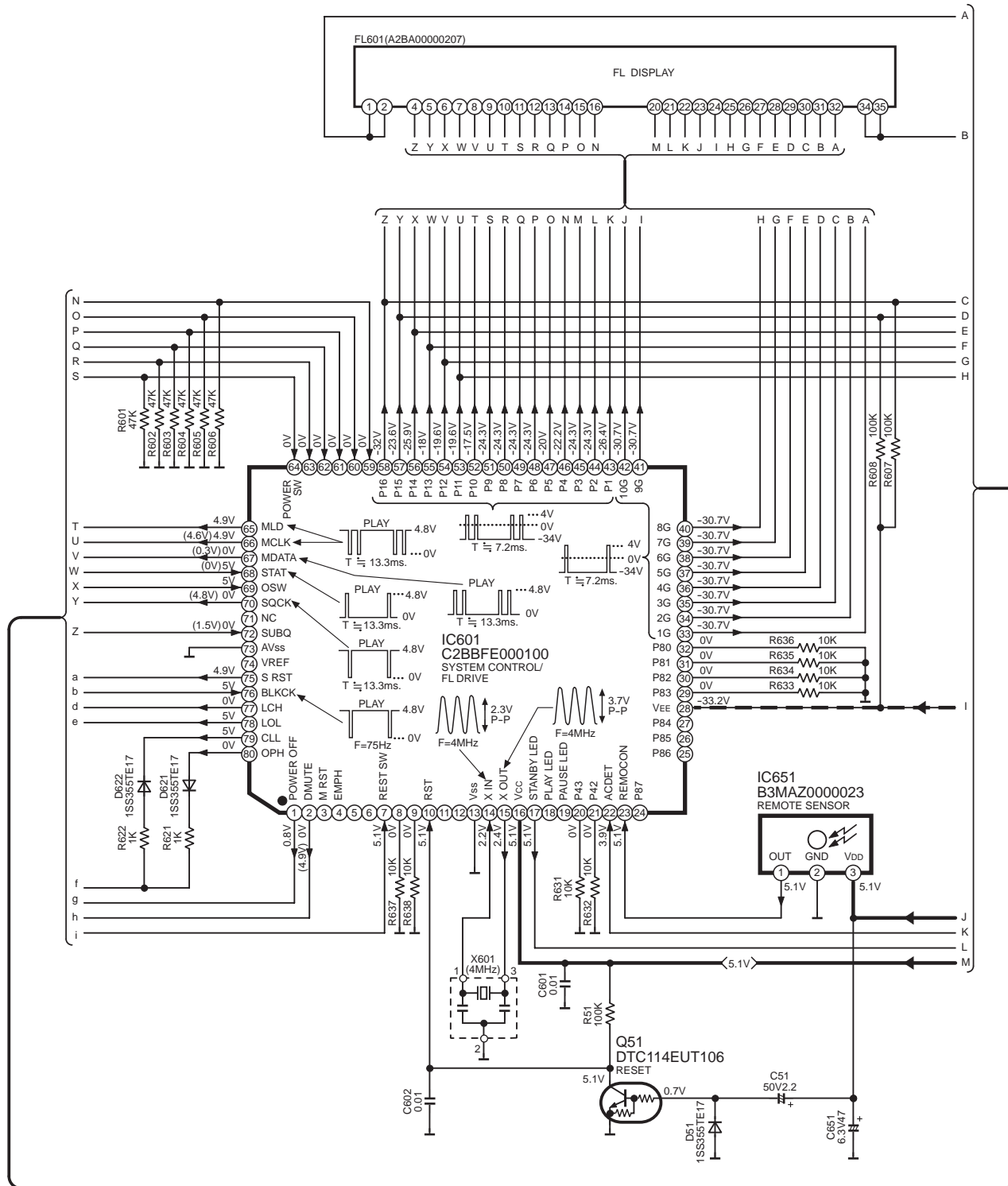


To **D** MAIN CIRCUIT(CN401) on SCHEMATIC DIAGRAM-5

SCHEMATIC DIAGRAM-3

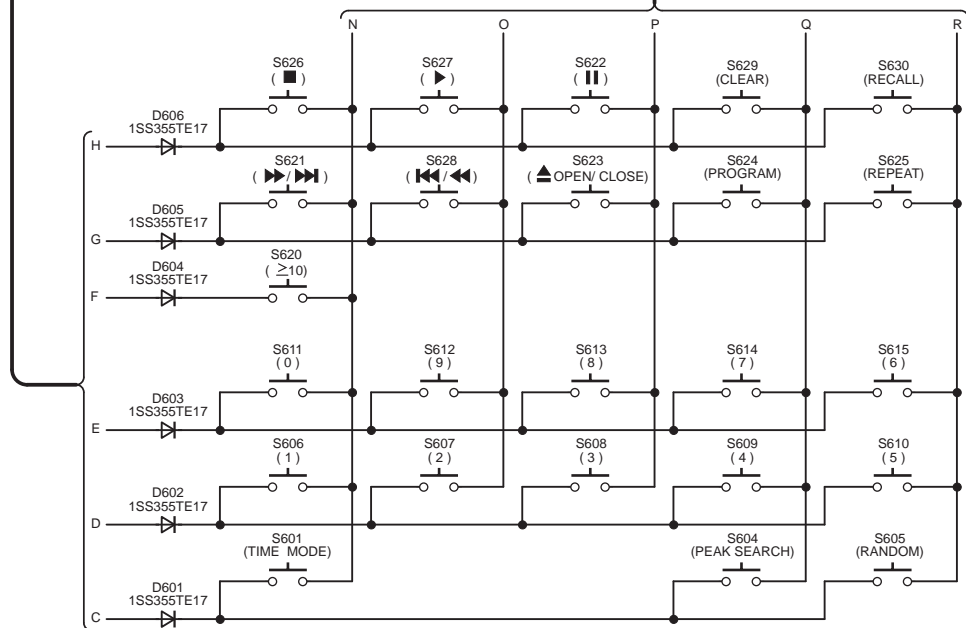
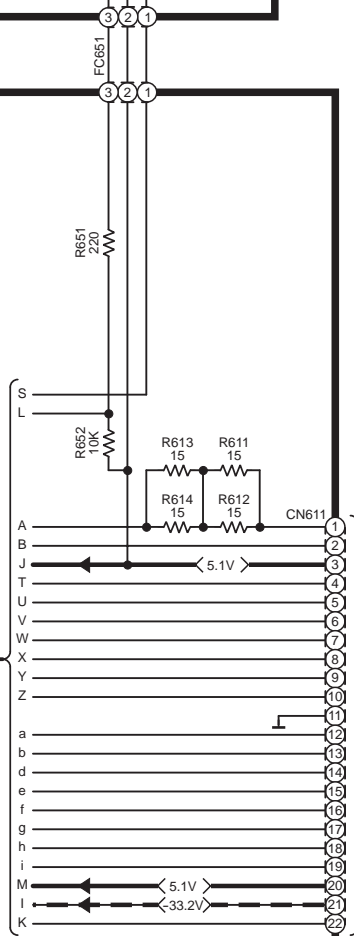
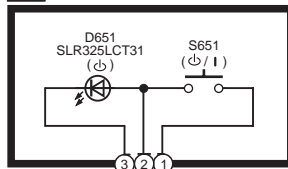
B FL CIRCUIT

→ : POSITIVE VOLTAGE LINE → - : NEGATIVE VOLTAGE LINE

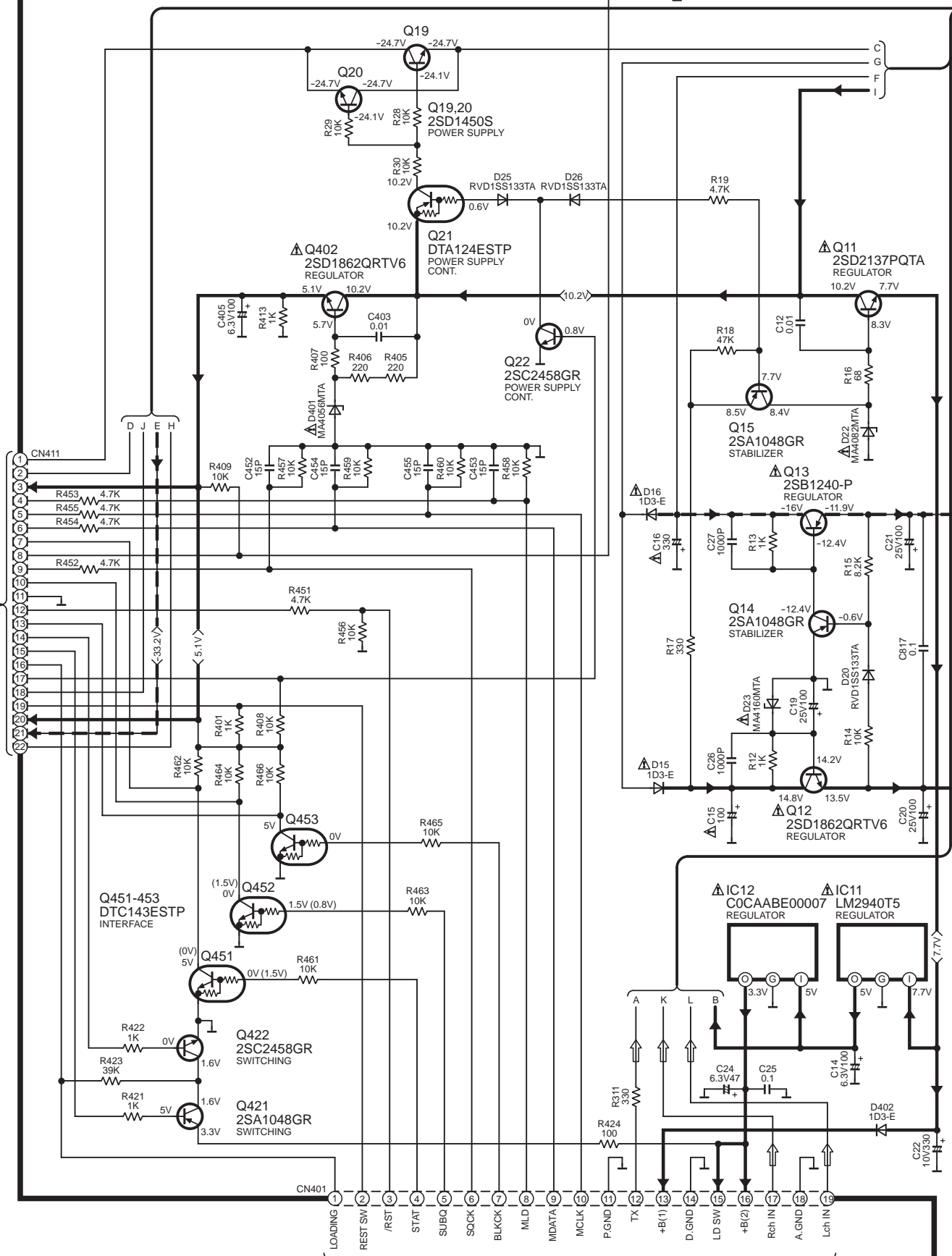


—▶ : POSITIVE VOLTAGE LINE
 -▶ : NEGATIVE VOLTAGE LINE

C POWER SW CIRCUIT

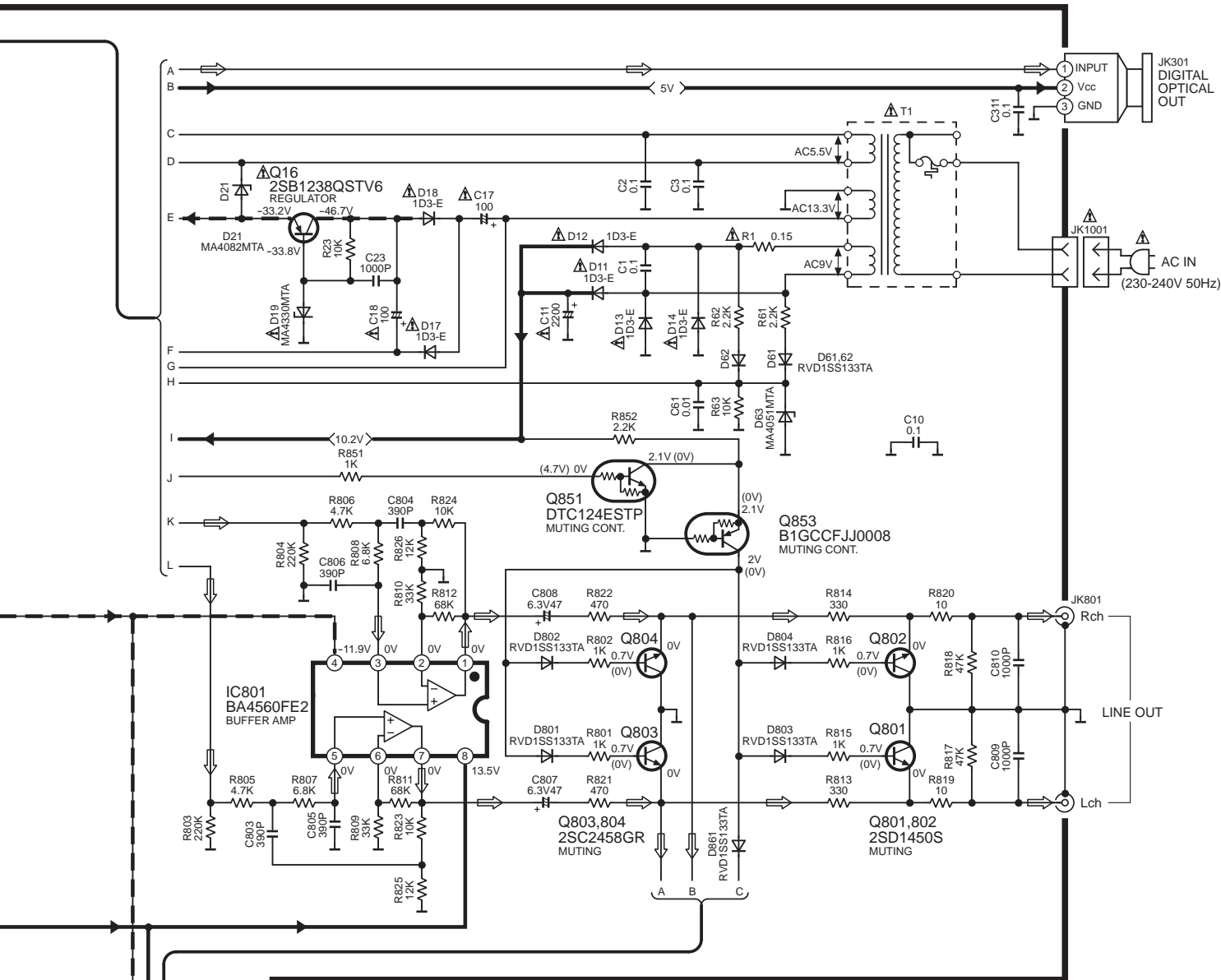


D MAIN CIRCUIT



SCHEMATIC DIAGRAM - 6

→ : POSITIVE VOLTAGE LINE - - - - - : NEGATIVE VOLTAGE LINE ⇨ : CD PLAYBACK SIGNAL LINE



E HEADPHONE CIRCUIT

