

Service Manual

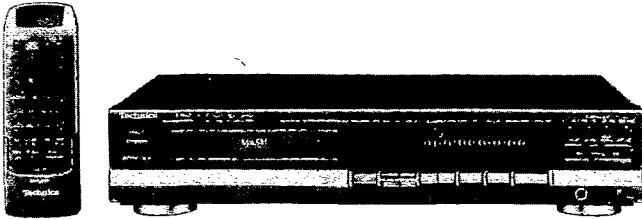
Compact Disc Player

SL-PG440A

COMPACT
disc
DIGITAL AUDIO

DIGITAL

MASH*
multi-stage noise shaping



Colour

(K) Black Type

Area

Suffix for Model No.	Area	Colour
(E)	Europe	(K)
(EB)	Great Britain	
(EG)	Germany and Italy	

- *
 •Technics (or Panasonic) developed the world's first MASH type DAC and ADC. MASH technology was invented by NTT (LSI Labs).
 •MASH is a trademark of NTT.

SL-PG320A TRAVERSE DECK SERIES (RAD0301-1)

SPECIFICATIONS

(DIN 45 500)

■ Audio

No. of channels	2 (left and right, stereo)
Frequency response	2–20,000 Hz, ± 0.5 dB
Output voltage	2 V (at 0 dB)
Dynamic range	98 dB
S/N	100 dB
Harmonic distortion	0.0022% (1 kHz, 0 dB)
Total harmonic distortion	0.0035% (1 kHz, 0 dB)
Wow and flutter	Below measurable limit
DA converter	MASH (1 bit)
Output impedance	600 Ω
Load impedance	More than 10 k Ω
Headphone output level	15 mW max. 32 Ω (adjustable)

■ Pickup

Wavelength	780 nm
Laser Power	No hazardous radiation is emitted (with safety protection)

■ General

Power consumption	10 W
Power supply	AC 50/60 Hz, 230–240 V
Dimensions (W×H×D)	430×92×290 mm
Weight	3.6 kg

Note:

Specifications are subject to change without notice.
Weight and dimensions are approximate.

Technics

CONTENTS

	Page		Page
HANDLING PRECAUTIONS FOR TRAVERSE DECK	2	CHECKING OF THE MAIN P.C.B.	12
PRECAUTION OF LASER DIODE	2, 3	BLOCK DIAGRAM	13, 14
ACCESSORIES	3	SCHEMATIC DIAGRAM	15~20
INSTALLATION	3	PRINTED CIRCUIT BOARD DIAGRAM	21~24
CAUTION FOR AC MAINS LEAD	4	WIRING CONNECTION DIAGRAM	25
CONCERNING COMPACT DISCS	5	TROUBLESHOOTING GUIDE	26~28
CLEANING OF LENS	5	MEASUREMENTS AND ADJUSTMENTS	29, 30
CONNECTIONS	6	TERMINAL FUNCTION OF IC'S	31~34
LOCATION OF CONTROLS	6, 7	REPLACEMENT PARTS LIST	35~37, 41, 42
BASIC OPERATING PROCEDURE	8	LOADING UNIT PARTS LOCATION	38
DISASSEMBLY INSTRUCTIONS	9~11	CABINET PARTS LOCATION	39, 40
CHECKING OF THE SERVO P.C.B.	12		

HANDLING PRECAUTIONS FOR TRAVERSE DECK

The laser diode in the traverse deck (optical pickup) may break down due to potential difference caused by static electricity of clothes or human body.

So, be careful of electrostatic breakdown during repair of the traverse deck (optical pickup).

● Handling of traverse deck (optical pickup)

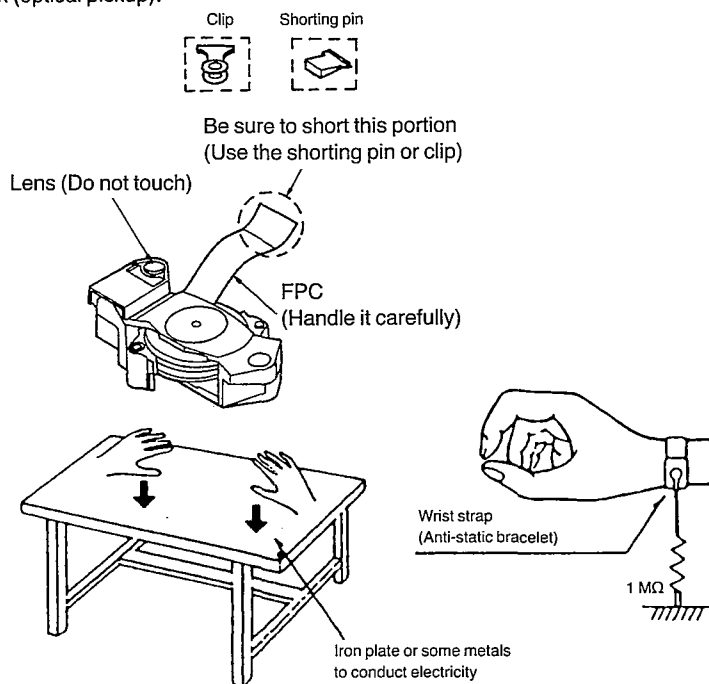
1. Do not subject the traverse deck (optical pickup) to static electricity as it is extremely sensitive to electrical shock.
2. To prevent the breakdown of the laser diode, an anti-static shorting pin is inserted into the flexible board (FPC board).
When removing or connecting the short pin, finish the job in as short time as possible.
3. Take care not to apply excessive stress to the flexible board (FPC board).

● Grounding for electrostatic breakdown prevention

1. Human body grounding
Use the anti-static wrist strap to discharge the static electricity from your body.
2. Work table grounding
Put a conductive material (sheet) or steel sheet on the area where the traverse deck (optical pickup) is placed, and ground the sheet.

Caution:

The static electricity of your clothes will not be grounded through the wrist strap. So, take care not to let your clothes touch the traverse deck (optical pickup).



PRECAUTION OF LASER DIODE

CAUTION: This product utilizes a laser diode with the unit turned "on", invisible laser radiation is emitted from the pick up lens.

Wave length: 780 nm

Maximum output radiation power from pick up: 100 μ W/VDE

Laser radiation from the pick up unit is safety level, but be sure the followings:

1. Do not disassemble the optical pick up unit, since radiation from exposed laser diode is dangerous.
2. Do not adjust the variable resistor on the pickup unit. It was already adjusted.
3. Do not look at the focus lens using optical instruments.
4. Recommend not to look at pick up lens for a long time.

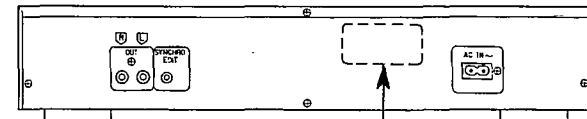
ACHTUNG: Dieses produkt enthält eine laserdiode. Im eingeschalteten zustand wird unsichtbare laserstrahlung von der lasereinheit abgestrahlt.

Wellenlänge: 780 nm

Maximale strahlungsleistung der lasereinheit: 100 μ W/VDE

Die strahlung an der lasereinheit ist ungefährlich, wenn folgende punkte beachtet werden:

1. Die lasereinheit nicht zerlegen, da die strahlung an der freigelegten laserdiode gefährlich ist.
2. Den werkseitig justierten einstellregler der lasereinheit nicht verstellen.
3. Nicht mit optischen instrumenten in die fokussierlinse blicken.
4. Nicht über längere zeit in die fokussierlinse blicken.



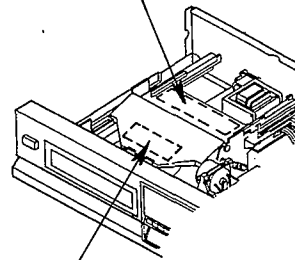
**CLASS 1
LASER PRODUCT**

**LUOKAN 1 LASERLAITE
KLASS 1 LASER APPARAT**

VARO!
AVATTAESSA JA SUOJALUKITUS
OHITETTAESSA OLET ALTIINA
NÄKYMÄTÖN LASERSÄTEILYLLE.
ÄLÄ KATSO SÄTEESIEN.

VARNING
OSYNLIG LASERSTRÅLNING NÄR
DENNA DEL ÄR ÖPPNAD OCH
SPÄRREN ÄR URKOPPLAD.
BETRAKTA EJ STRÅLEN.

ADVERSEL
USYNLIG LASERSTRÅLNING NÄR
DEKSEL ÖPNES OG SIKKERHEDSLÅS
BRYTES. UNNGÅ EKSPONERING FOR
STRÅLEN. RQLS0074



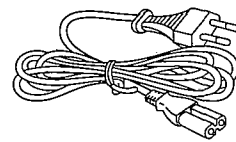
ADVARSEL: USYNLIG LASERSTRÅLNING
VED ÅBNING, NÅR SIKKERHEDSAF-
BRYDERE ER UDE AF FUNKTION.
UNDGÅ UDSÆTTELSE FOR STRÅLING.

VORSICHT
Unsichtbare
Laserstrahlung, wenn
Abdeckung geöffnet.
Nicht dem Strahl
aussetzen. RQLS0022

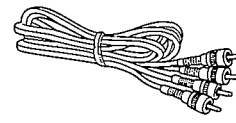
ACCESSORIES

Note:

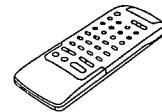
The configuration of the AC power supply cord differs according to area.



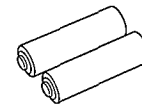
AC power supply cord
for (E) and (EG) areas...(RJA0018-1K) 1



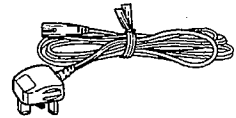
Stereo connection cable
(SJP2249-3) 1



Remote control transmitter
(EUR642100) 1



UM-4, (AAA, R03) 2
for Remote control transmitter

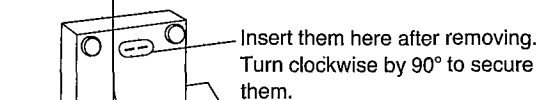
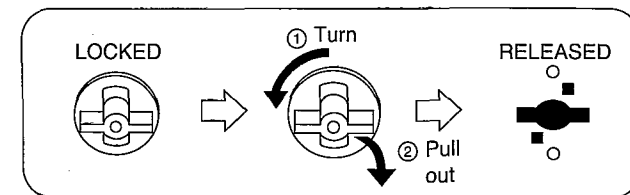


for (EB) area...(VJA0733) 1

INSTALLATION

Before placement

Two transport security devices are secured to prevent the optical pickup from damage during transport. Be sure to release them before use.



Insert them here after removing.
Turn clockwise by 90° to secure
them.

Soft cloth or similar material
(to prevent scratches)

Note:

When transporting the unit, be sure to remove the compact disc from inside the unit. And replace the transport security devices again following the reverse order not to damage the optical pickup.

Notes of placement

■ **This unit is a precision instrument. Be sure to place it on a flat surface.**

■ Avoid places such as the following:

- Near any equipment or device that generates strong magnetism.
- On any heat-generating equipment or device, or in any place where the temperature is high (35°C or higher).
- Extremely cold place (5°C or below).
- Near a tuner or TV. (It may cause noise in the broadcast, or disturbance of the TV picture.)

■ **When carrying or storing the unit, handle it with care so it is not subjected to any strong bumps.**

Always remove the disc before storing the unit for any period of time.

■ To avoid problems due to vibration

- Do not place a book or similar object under this unit.
- Do not route the connection cables (of this or other units) across the operation panel, across the top, or under the unit.

CAUTION FOR AC MAINS LEAD


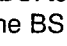
(For United Kingdom)

("EB" area code model only)

For your safety, please read the following text carefully.

This appliance is supplied with a moulded three pin mains plug for your safety and convenience.


A 5-ampere fuse is fitted in this plug.

Should the fuse need to be replaced please ensure that the replacement fuse has a rating of 5-ampere and that it is approved by ASTA or BSI to BS1362. Check for the ASTA mark  or the BSI mark  on the body of the fuse.

If the plug contains a removable fuse cover you must ensure that it is refitted when the fuse is replaced.

If you lose the fuse cover the plug must not be used until a replacement cover is obtained.

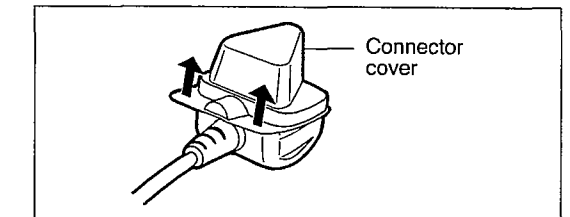
A replacement fuse cover can be purchased from your local dealer.

WARNING: DO NOT CONNECT EITHER WIRE TO THE EARTH TERMINAL WHICH IS MARKED WITH THE LETTER E, BY THE EARTH SYMBOL  OR COLOURED GREEN OR GREEN/YELLOW.

THIS PLUG IS NOT WATERPROOF—KEEP DRY.

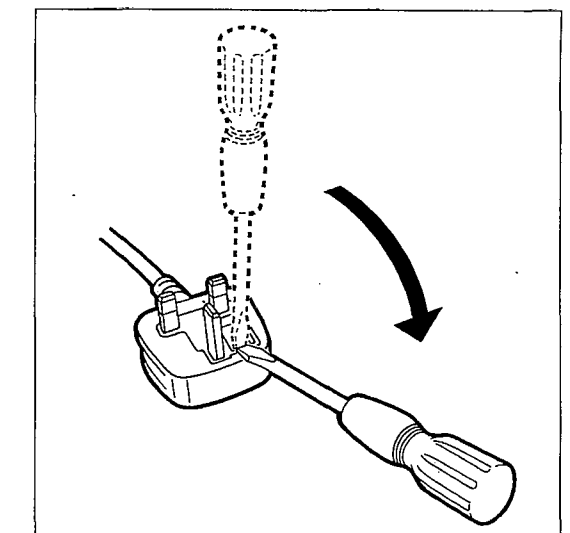
Before use

Remove the connector cover as follows.



How to replace the fuse

1. Open the fuse cover with a screwdriver.



CAUTION!

IF THE FITTED MOULDED PLUG IS UNSUITABLE FOR THE SOCKET OUTLET IN YOUR HOME THEN THE FUSE SHOULD BE REMOVED AND THE PLUG CUT OFF AND DISPOSED OF SAFELY.

THERE IS A DANGER OF SEVERE ELECTRICAL SHOCK IF THE CUT OFF PLUG IS INSERTED INTO ANY 13-AMPERE SOCKET.

If a new plug is to be fitted please observe the wiring code as shown below.

If in any doubt please consult a qualified electrician.

IMPORTANT

The wires in this mains lead are coloured in accordance with the following code:

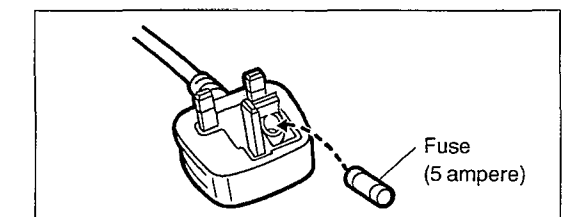
Blue: Neutral, Brown: Live.

As these colours may not correspond with the coloured markings identifying the terminals in your plug, proceed as follows:

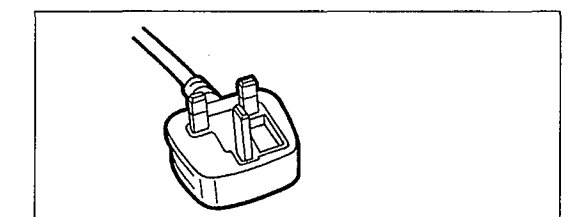
The wire which is coloured Blue must be connected to the terminal which is marked with the letter N or coloured Black or Blue.

The wire which is coloured Brown must be connected to the terminal which is marked with the letter L or coloured Brown or Red.

2. Replace the fuse.



3. Close the fuse cover.



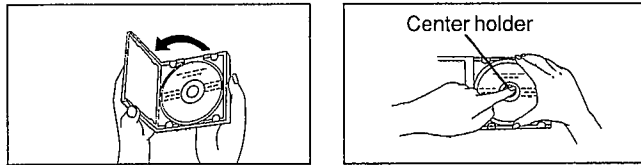
■ CONCERNING COMPACT DISCS

Only compact discs having this mark can be used with this unit.

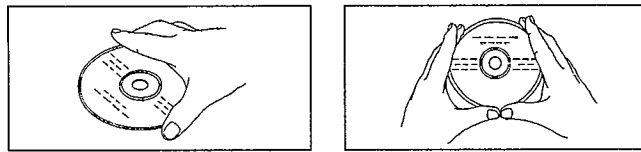


Handling precautions

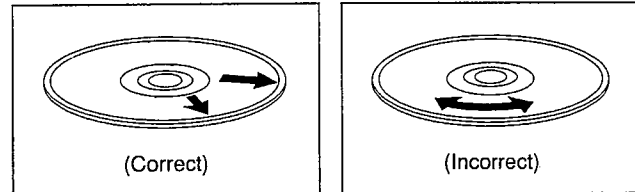
To open the case, gently press the sides of the top, holding the top at both sides.



- To remove the disc from the case, press the center holder and lift the disc, holding by the edges.
- To return the disc to the case, insert the disc with label facing up and press downward at the center.
- Hold compact discs by the edges so the surface is not soiled with fingerprints. Fingerprints, dirt and scratches can cause skipping and distortion.



- Do not use record cleaning sprays, benzine, thinner, static electricity prevention liquids or any other solvent.
- If the surface is soiled, wipe gently with a soft, damp (water only) cloth.
- Always move the cloth directly outward from the center of the disc, not in a circular motion as with standard phonograph records.



- If the disc is brought from a cold to a warm environment, moisture may form on the disc. Wipe this off with a soft, dry, lint-free cloth before using the disc.
- Do not write on the label side with a ball-point pen or other writing instrument.

Storage precautions

Be sure to store discs in their cases to protect them from dust, scratches and warping.

Do not place or store discs in the following places:

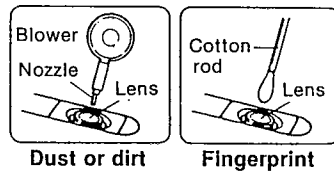
- 1) Locations exposed to direct sunlight.
- 2) Humid or dusty locations.
- 3) Locations directly exposed to a heat outlet or heating appliance.
- 4) In the glove compartment or rear ledge of an automobile.

■ CLEANING OF LENS

If the lens is stained causing sound skip or operation failure, open the top cover by pressing the open button, and clean the lens.

• To remove dust or dirt

Blow the lens with the blower provided in the cleaning kit to remove dust or dirt.



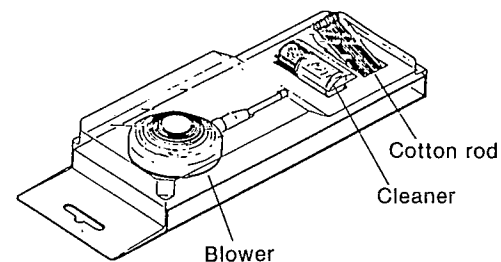
• To remove fingerprint

If the blower is not enough, moisten the cotton rod with the lens cleaner solution and wipe the lens with it from center of the lens to outside.

Cautions:

- Do not directly apply the cleaner solution to the lens. Do not apply too much solution to the cotton rod or otherwise the solution will flow into the player.
- Wipe the lens carefully. Do not give too much stress to the lens or otherwise it may scratch the lens or cause optical pickup trouble.
- If the solution should be too much applied, wipe the lens with a dry cotton rod.

Lens cleaning kit (Part No. : SZP1038C)

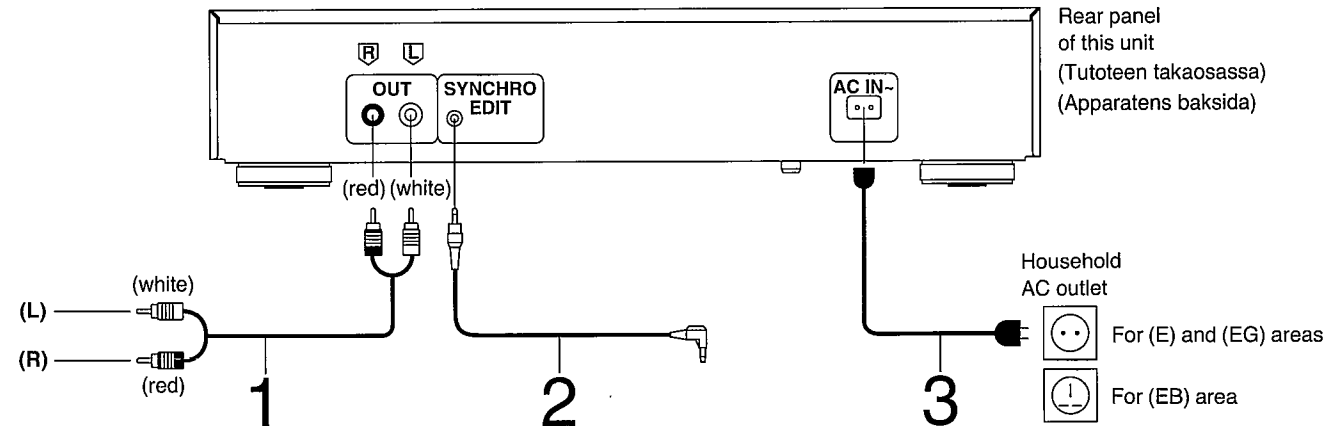


■ CONNECTIONS

Before making connections, be sure that the power of this unit and all other system components is first turned off. See the operating instructions of the amplifier or the cassette deck for details.

Note:

The configuration of the AC outlet and AC power supply cord differs according to area.



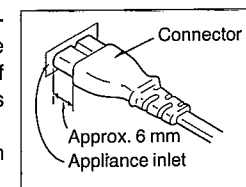
- 1 Connect the stereo connection cable (included) to the "CD" or "AUX" terminals of the amplifier.

- 2 Connect the synchro edit cable (included with the cassette deck) to the "SYNCHRO EDIT" terminal of the Technics cassette deck.

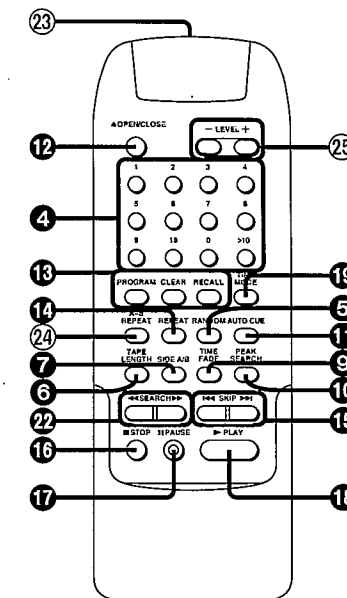
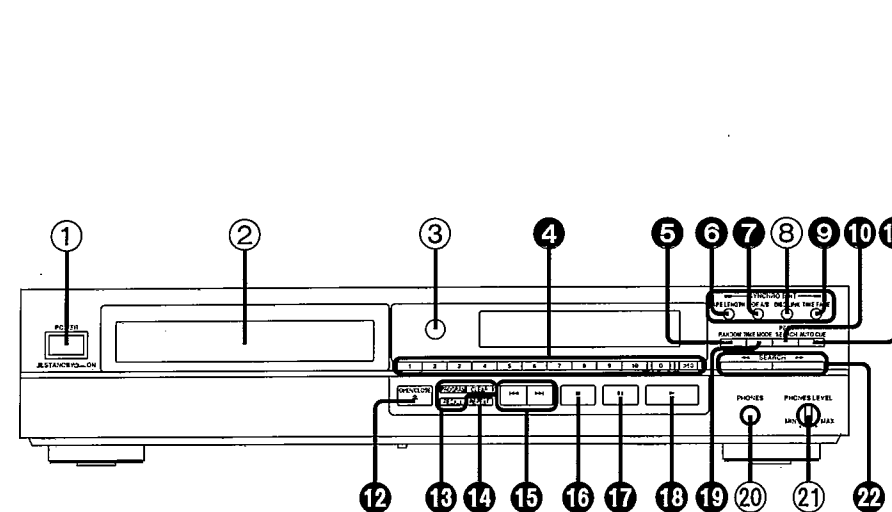
- 3 Connect the AC power supply cord (included) to the "AC OUTLET" of the amplifier or the household AC outlet.

Insertion of Connector

Even when the connector is perfectly inserted, depending on the type of inlet used, the front part of the connector may jut out as shown in the drawing. However there is no problem using the unit.




■ LOCATION OF CONTROLS











Control section

Numbers with black background (for example ④) indicate functions available on the remote control.

① **Power “STANDBY /ON” switch (POWER,  STANDBY  ON)**

This switch switches ON and OFF the secondary circuit power only. The unit is in the “standby” condition when this switch is set to the STANDBY  position. Regardless of the switch setting, the primary circuit is always “live” as long as the power cord is connected to an electrical outlet.

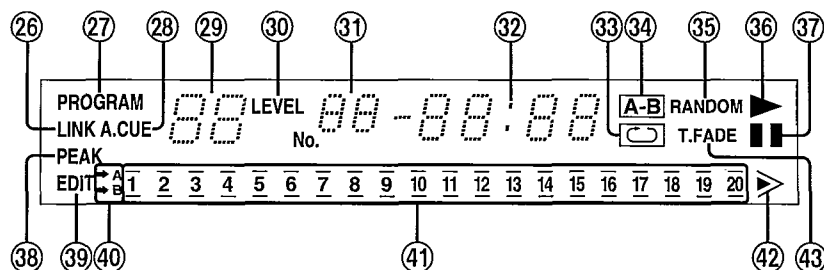
- ② **Disc tray**
- ③ **Remote control signal sensor (SENSOR)**
- ④ **Numeric buttons (1–10, 0, >10)**
- ⑤ **Random play button (RANDOM)**
- ⑥ **Tape length button (TAPE LENGTH)**
- ⑦ **Tape side select button (SIDE A/B)**
- ⑧ **Disc link button (DISC LINK)**
- ⑨ **Time fade button (TIME FADE)**
- ⑩ **Peak search button (PEAK SEARCH)**
- ⑪ **Auto cue button (AUTO CUE)**
- ⑫ **Disc tray open/close button ( OPEN/CLOSE)**






- ⑬ **Buttons for program function**
 - Program button (PROGRAM)
 - Clear button (CLEAR)
 - Recall button (RECALL)
- ⑭ **Repeat button (REPEAT)**
- ⑮ **Skip buttons (, )**
- ⑯ **Stop button (**)
- ⑰ **Pause button (**)
- ⑱ **Play button (**)
- ⑲ **Time mode select button (TIME MODE)**
- ⑳ **Headphones jack (PHONES) (∅6, 32Ω)**
- ㉑ **Headphones volume control (PHONES LEVEL)**
- ㉒ **Search buttons (, SEARCH )**

Remote control section

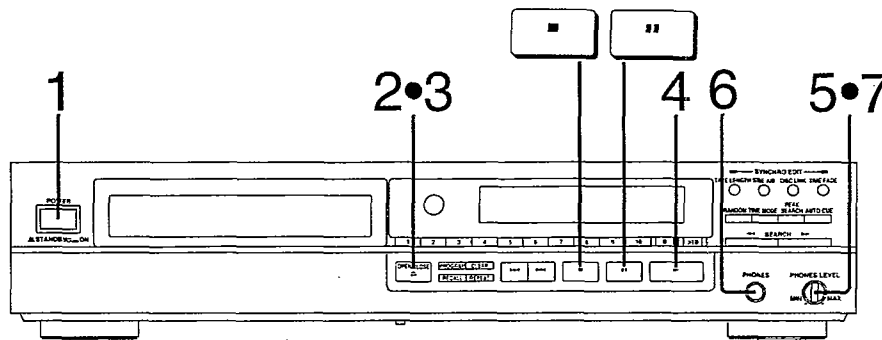
- ㉓ **Remote control transmission window**
- ㉔ **A-B repeat button (A-B REPEAT)**
- ㉕ **Level control buttons (– LEVEL +)**

Display section



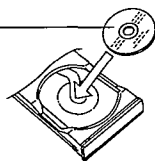
- ⑫⑥ **Disc link indicator (LINK)**
- ⑫⑦ **Program indicator (PROGRAM)**
- ⑫⑧ **Auto cue indicator (A.CUE)**
- ⑫⑨ **Track number display**
- ⑫⑩ **Level control indicator (LEVEL)**
- ⑫⑪ **Index/program sequence display**
- ⑫⑫ **Time display**
- ⑫⑬ **Repeat indicator (**)
- ⑫⑭ **A-B repeat indicator (**)
- ⑫⑮ **Random play indicator (RANDOM)**
- ⑫⑯ **Play indicator (**)
- ⑫⑰ **Pause indicator (**)
- ⑫⑱ **Peak search indicator (PEAK)**
- ⑫⑲ **Compact disc edit indicator (EDIT)**
- ⑫⑳ **Tape side indicator (, **)
- ⑫㉑ **Track number indicator ( – **)
- ⑫㉒ **“Over” mark (**)
- ⑫㉓ **Time fade/fade out indicator (T.FADE)**

■ BASIC OPERATING PROCEDURE



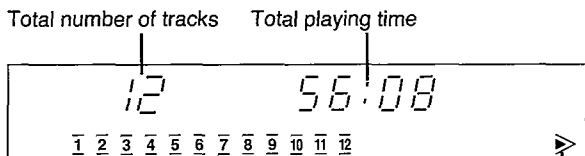
- 1 Press POWER to switch on the power.**
If there is a disc in the disc tray, play will start from the first track.
- 2 Press open/close button ▲ to open the disc tray and insert a disc.**
(Also available from the remote control)

Label must face upward.



Before attempting to use the remote control transmitter to open the disc tray, make sure that there are no obstructions in front of the unit.

- 3 Press open/close button ▲ again to close the disc tray.**
(Also available from the remote control)



Lights when the total number of tracks exceeds 21

To stop disc play

(Also available from the remote control)

Press stop button ■.



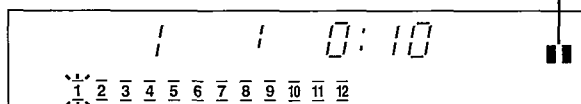
To temporarily stop disc play

(Also available from the remote control)

Press pause button ■■.



Pause indicator

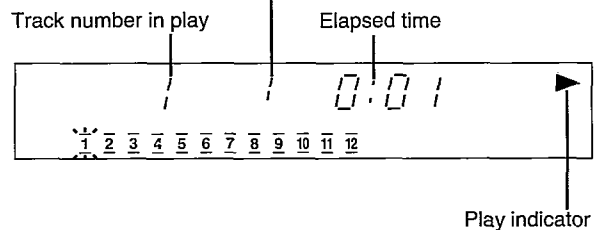


Press play button ► to resume play.

- The total playing time displayed includes the silent sections between tracks. For this reason, it may be a few seconds longer than the playing time indicated on the disc.
- You can skip this step and press play button ►. The disc tray will be automatically closed and then play will start from the first track.

- 4 Press play button ►.**
(Also available from the remote control)

Index number
(For discs without index number, "1" will be continuously displayed.)



The unit stops automatically when the last track finishes playing.

How to use headphones

- 5 Reduce the headphones volume level.**
- 6 Connect the headphones to the headphones jack.**

Plug type: Stereo large plug



- 7 Adjust the volume.**
Avoid listening for prolonged periods of time to prevent hearing damage.

DISASSEMBLY INSTRUCTIONS

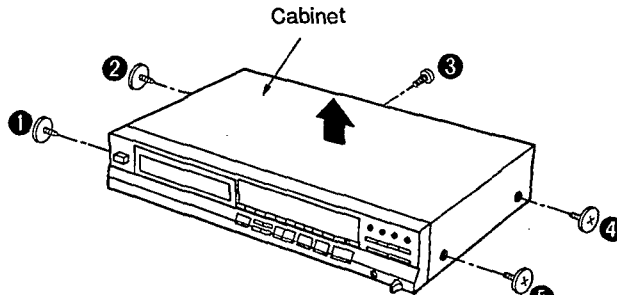
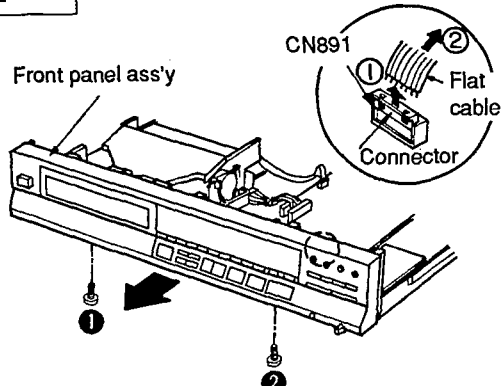
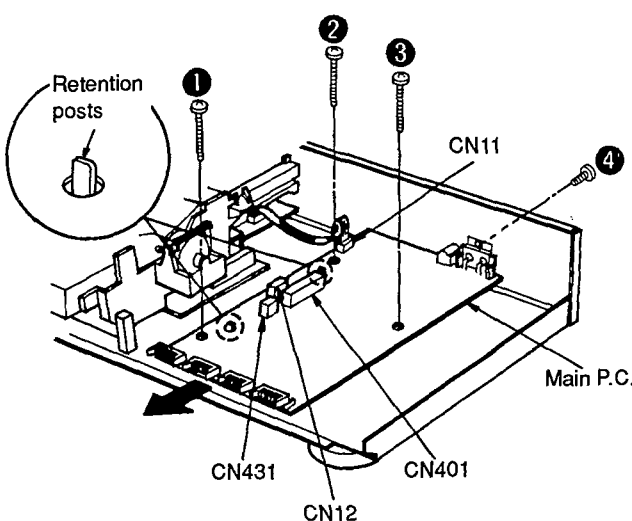
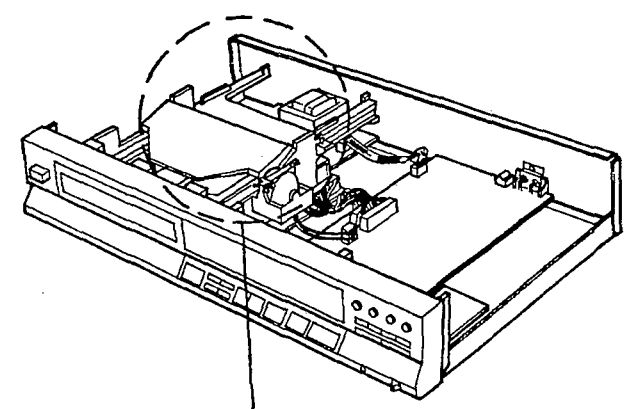
Warning: This product uses a laser diode. Refer to caution statements on page 2.

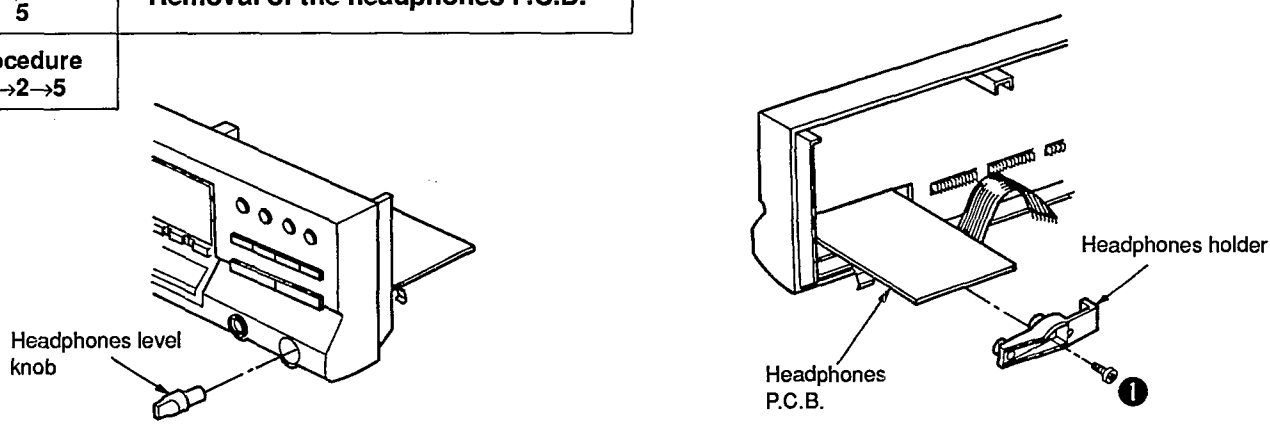
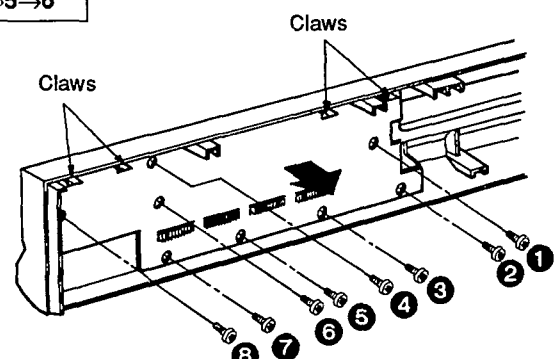
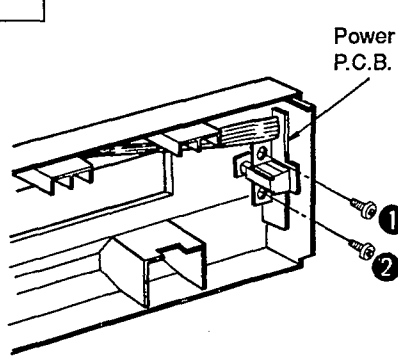
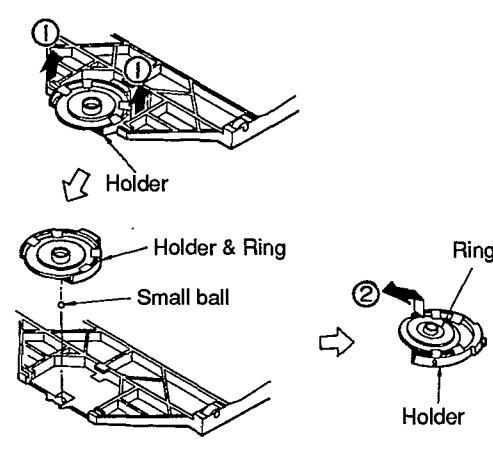
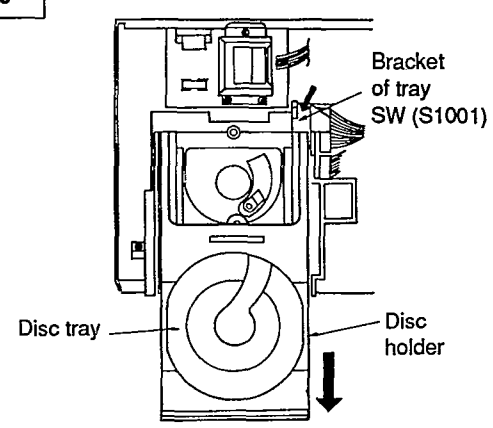
ACHTUNG: Die Lasereinheit nicht zerlegen.

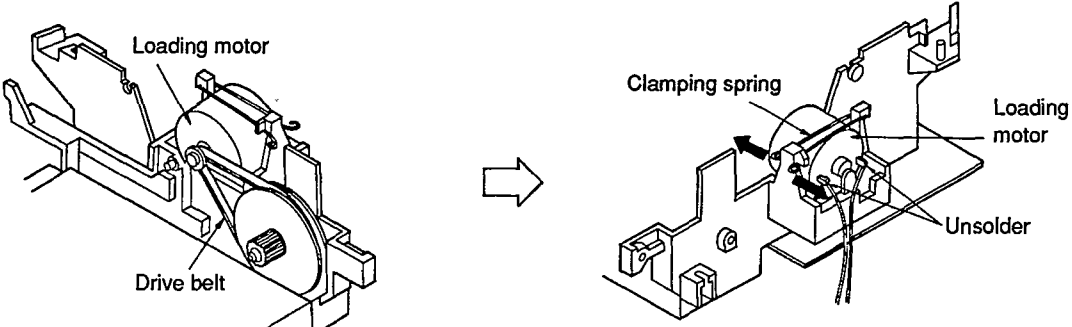
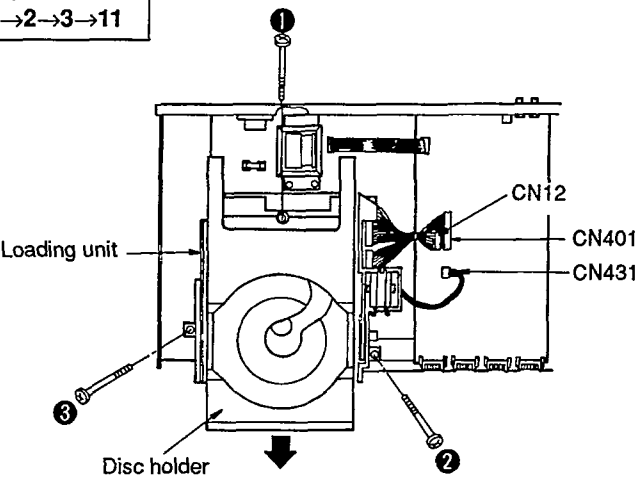
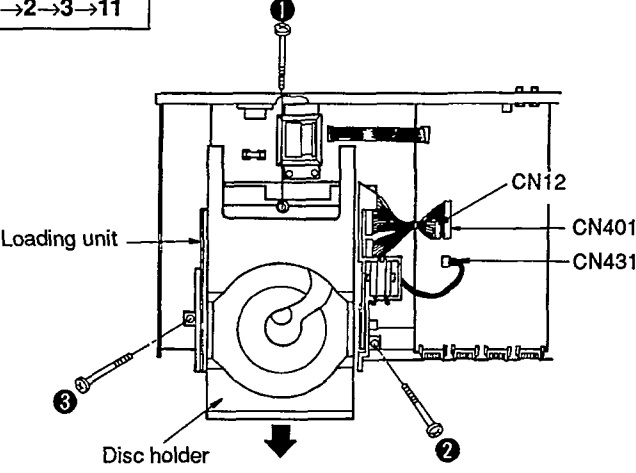
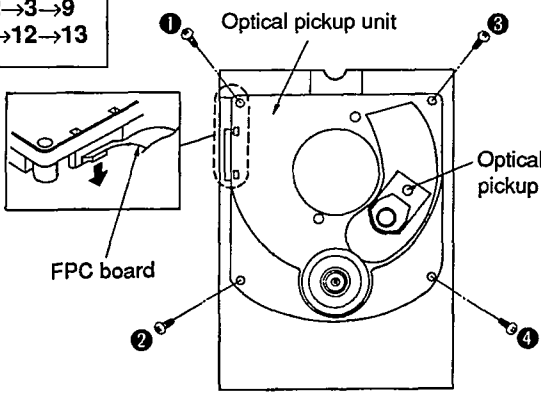
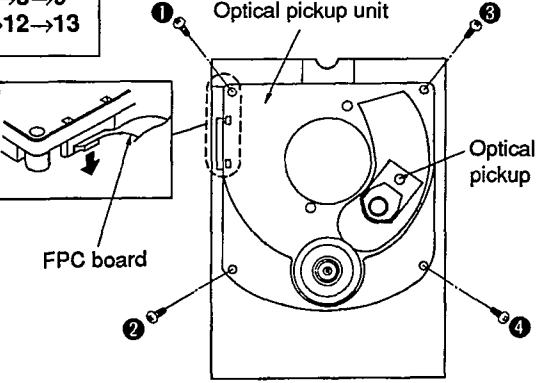
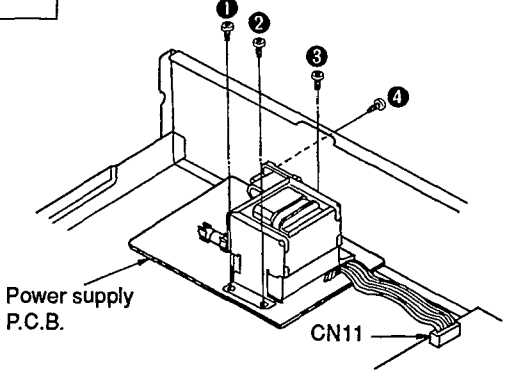
Die Lasereinheit darf nur gegen eine vom Hersteller spezifizierte Einheit ausgetauscht werden.

"ATTENTION SERVICER" Some chassis components may have sharp edges. Be careful when disassembling and servicing.

*This CD player is equipped with FPC boards, so handle them with care during disassembly and reassembly.

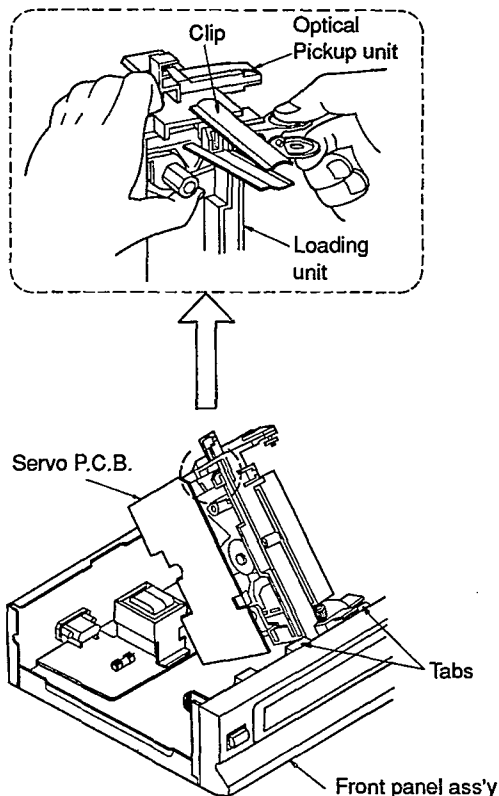
Ref. No. 1	Removal of the cabinet	Ref. No. 2	Removal of the front panel ass'y
Procedure 1	 <p>1. Remove the 5 screws (1~5). 2. Remove the cabinet in the direction of arrow.</p>	Procedure 1→2	 <p>1. Remove the 1 connector (CN891). 2. Remove the 2 screws (1, 2). 3. Remove the front panel ass'y in the direction of arrow.</p>
Ref. No. 3	Removal of the disc lid	Ref. No. 4	Removal of the main P.C.B.
Procedure 1→3	<p>1. Remove the spring. 2. Move the disc lid in the direction of arrow ① and pull out this in the direction of arrow ②.</p>	Procedure 1→4	 <p>1. Remove the 4 connectors (CN11, CN12, CN401, CN431). 2. Remove the 4 screws (1~4). 3. Lift the main P.C.B. off the retention posts on the chassis. 4. Remove the main P.C.B. in the direction of arrow.</p>
			

<p>Ref. No. 5</p>	<p>Removal of the headphones P.C.B.</p>	 <p>1. Pull out the headphones level knob.</p> <p>2. Remove the 1 screw (1).</p> <p>3. Remove the headphones holder.</p>	
<p>Ref. No. 6</p>	<p>Removal of the operation P.C.B.</p>	<p>Ref. No. 7</p>	<p>Removal of the power switch P.C.B.</p>
<p>Procedure 1→2→5→6</p>	 <p>1. Remove the 8 screws (1~8).</p> <p>2. Release the 4 claws.</p>		<p>Procedure 1→2→7</p>  <p>• Remove the 2 screws (1, 2).</p>
<p>Ref. No. 8</p>	<p>Removal of the holder and ring</p>	<p>Ref. No. 9</p>	<p>Removal of the disc holder</p>
<p>Procedure 1→3→8</p>  <p>1. Pull out the holder in the direction of arrow ①.</p> <p>2. Remove the ring in the direction of arrow ②.</p> <p>Caution: Be sure to handle the small ball carefully.</p>	<p>Procedure 1→2→3→9</p>  <p>1. Pull the disc holder slowly in the direction of arrow until the disc tray comes up.</p> <p>2. Pull the disc holder until it stops.</p> <p>3. Push the bracket of tray SW (S1001) in the direction of arrow.</p> <p>4. Pull out the disc holder further to remove it.</p>		

<p>Ref. No. 10</p>	<p>Removal of the loading motor</p>		
<p>Procedure 1→2→3→9 →10</p>	 <p>1. Remove the drive belt.</p>	 <p>2. Release the clamping spring. 3. Unsolder the 2 terminals of the lead wire of the loading motor.</p>	
<p>Ref. No. 11</p>	<p>Removal of the loading unit</p>	<p>Ref. No. 12</p>	<p>Removal of the servo P.C.B.</p>
<p>Procedure 1→2→3→11</p>	 <p>1. Pull the disc holder slowly in the direction of arrow until the disc tray comes up. 2. Remove the 3 screws (①~③). 3. Remove the 3 connectors (CN12, CN401, CN431).</p>	<p>Procedure 1→2→3→9→12</p>	 <p>1. Remove the 4 screws (①~④) with 2.0mm allen wrench (SZZP1101C). 2. Remove the FPC board (CN101) from the optical pickup. 3. Remove the 1 connector (CN102) of the turntable motor. Caution: To prevent the breakdown of the laser diode, antistatic shorting pin is inserted into the FPC board.</p>
<p>Ref. No. 13</p>	<p>Removal of the optical pickup unit</p>	<p>Ref. No. 14</p>	<p>Removal of the power supply P.C.B.</p>
<p>Procedure 1→2→3→9 →11→12→13</p>	 <p>1. Remove the 4 screws (①~④) with 2.0mm allen wrench (SZZP1101C). 2. Remove the FPC board from the optical pickup.</p>	<p>Procedure 1→14</p>	 <p>1. Remove the 4 screws (①~④). 2. Remove the 1 connector (CN11).</p>

■ CHECKING OF THE SERVO P.C.B.

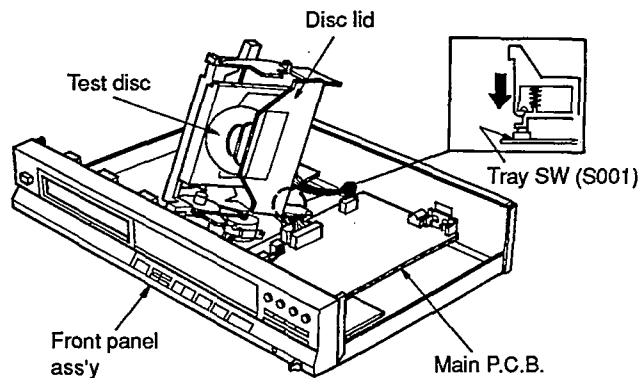
1. Remove the cabinet (see Ref. No. 1 of the disassembly instructions).
2. Remove the disc lid and disc holder (see Ref. No. 3 and No. 9 of the same).
3. Remove the loading unit (see Ref. No. 11 of the same).
4. When checking the soldered surface of the servo P.C.B. and replacing the parts, do as shown below.



(To play a disc)

1. Place the test disc.
2. Reinstall the disc lid to the loading unit.
3. Turn "ON" the power switch of the player.
4. Push the bracket of tray SW (S1001) in the direction of the arrow and release it.

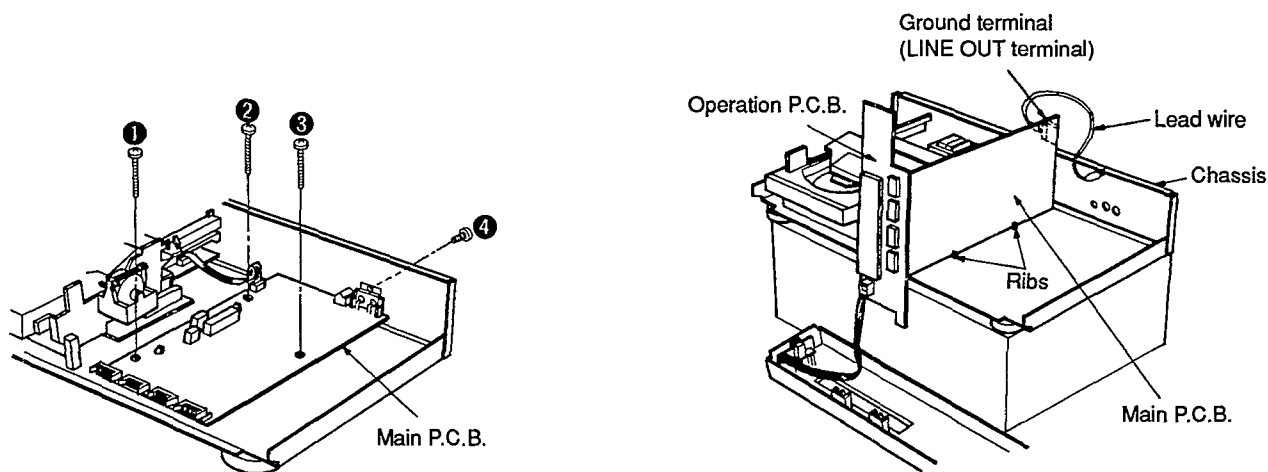
Note: If the test disc fails to rotate, press the tray switch again.



Note: Put on the loading unit on the tabs of the front panel ass'y. (Fixed loading unit)
Hold the loading unit and the optical pickup unit with a clip. (Fixed optical pickup unit)
Secure the optical pickup assembly with a clip. (Otherwise the clammer will interfere with the disc, restricting turntable rotation.)

■ CHECKING OF THE MAIN P.C.B.

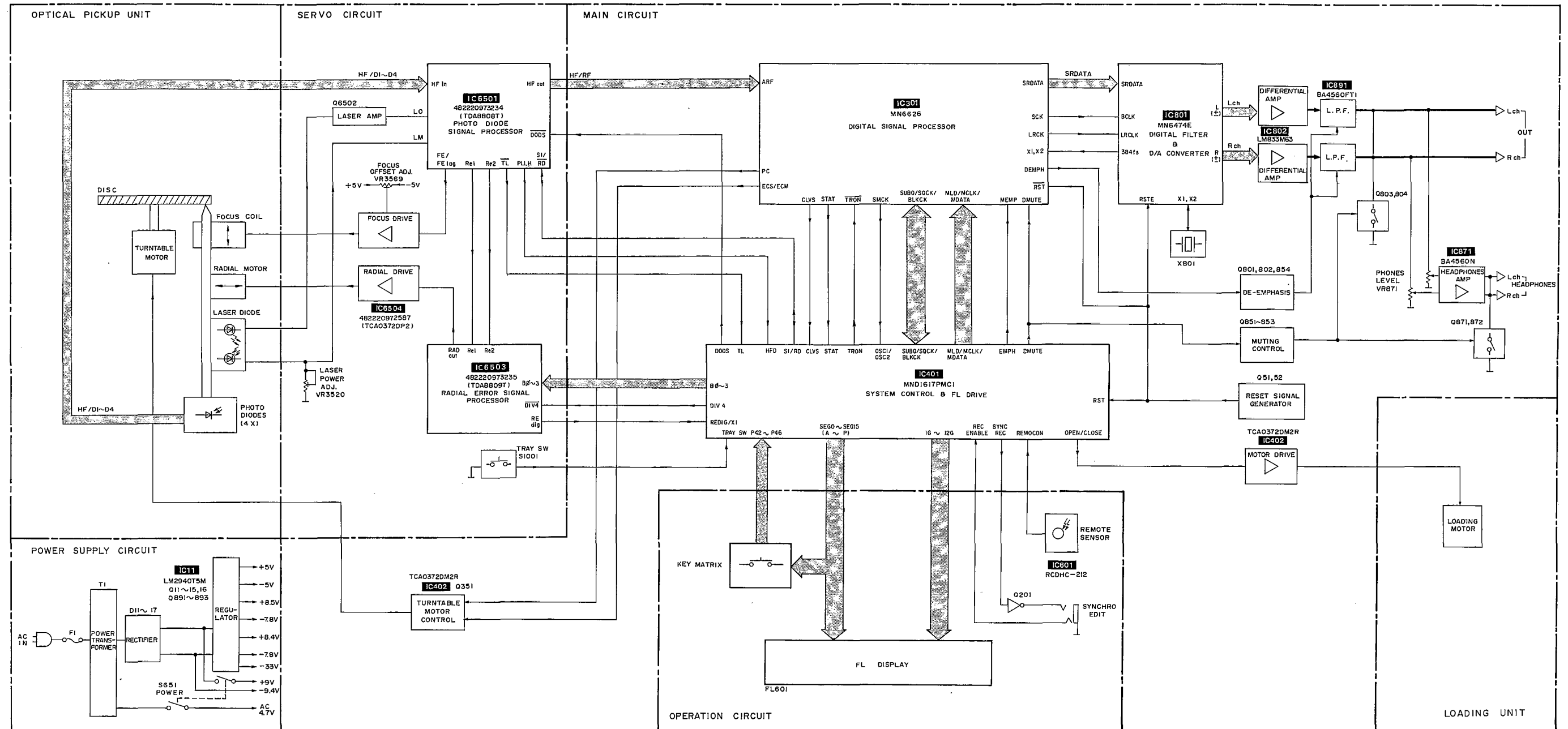
- When checking the soldered surface of the main P.C.B. and replacing the parts, do as shown below.



1. Remove the cabinet (see Ref. No. 1 of the disassembly instructions).
2. Remove the front panel ass'y (see Ref. No.2 of the same).
3. Remove the operation P.C.B. (see Ref. No.6 of the same).
4. Remove the 4 screws (1~4).

5. Reinstall the operation P.C.B. to the main P.C.B.
6. Connect the main P.C.B. ground terminal (LINE OUT terminal) to the chassis with a lead wire.

■ BLOCK DIAGRAM



SCHEMATIC DIAGRAM

(Parts list on pages 35, 36, 41, 42.)

(This schematic diagram may be modified at any time with development of new technology.)

Notes:

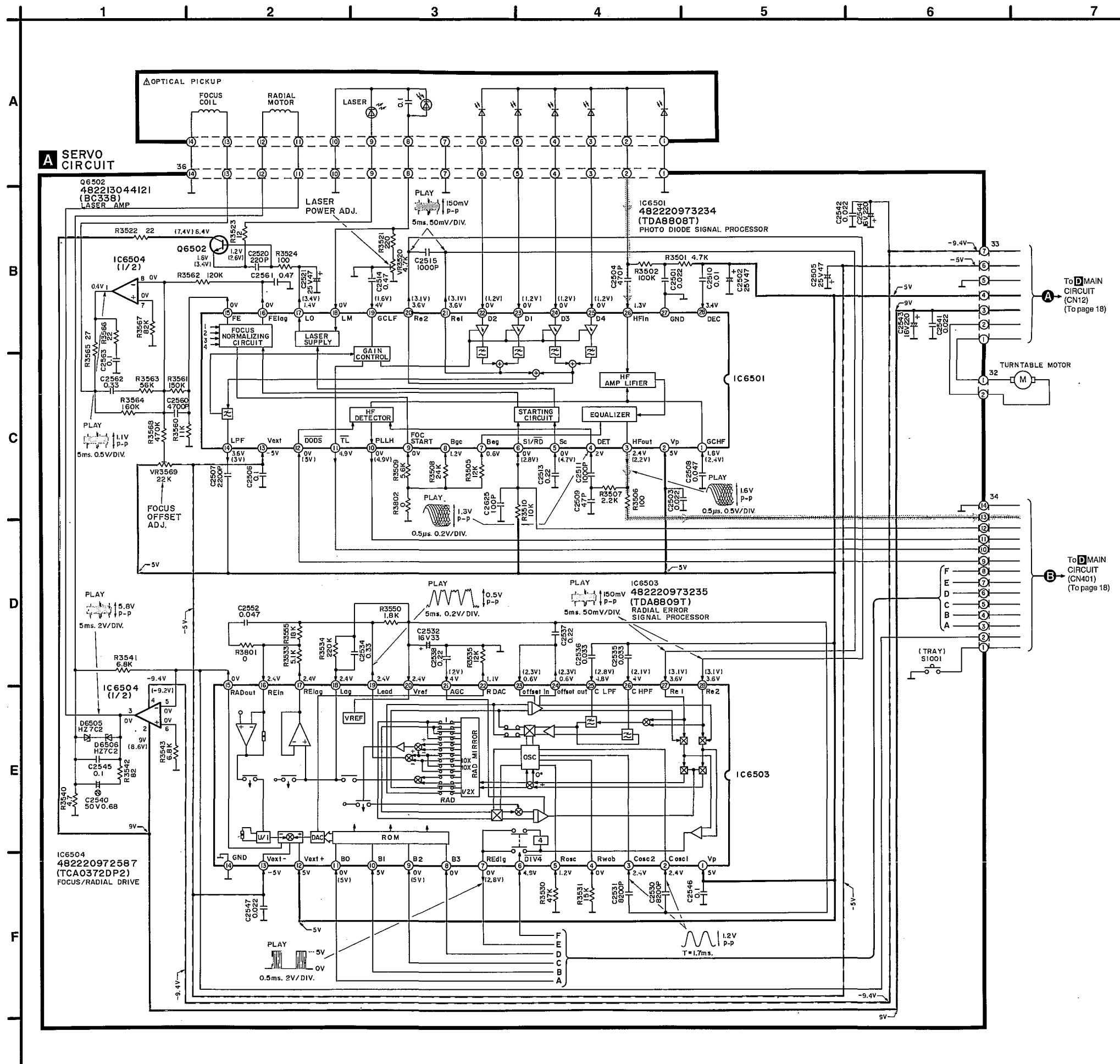
- S601~612 : Numeric (>10, 0, 1~10) switches.
 - S601: 0, S602: 1, S603: 2,
 - S604: 3, S605: 4, S606: 5,
 - S607: >10, S608: 10, S609: 9,
 - S610: 8, S611: 7, S612: 6
 - S613 : Play (▶) PLAY switch.
 - S614 : Skip (◀◀) SKIP switch.
 - S615 : Search (◀◀) switch.
 - S616 : Program (PROGRAM) switch.
 - S617 : Disc link (DISC LINK) switch.
 - S619 : Stop (■) STOP switch.
 - S620 : Skip (▶▶) SKIP switch.
 - S621 : Search (▶▶) switch.
 - S622 : Recall (RECALL) switch.
 - S623 : Tape-side select (SIDE A/B) switch.
 - S624 : Random play (RANDOM) switch.
 - S625 : Time fade (TIME FADE) switch.
 - S626 : Disc tray open/close (▲ OPEN/CLOSE) switch.
 - S627 : Pause (||) PAUSE switch.
 - S628 : Repeat (REPEAT) switch.
 - S629 : Clear (CLEAR) switch.
 - S630 : Edit tape length (TAPE LENGTH) switch.
 - S631 : Time mode select (TIME MODE) switch.
 - S632 : Peak level search (PEAK SEARCH) switch.
 - S635 : Auto cue (AUTO CUE) switch.
 - S651 : Power "STANDBY ◊ ON" (POWER) switch in "on" position.
 - S1001 : Tray (OPEN/CLOSE) switch.
- The voltage value and waveforms are the reference voltage of this unit measured by DC electronic voltmeter (high impedance) and oscilloscope on the basis of chassis. Accordingly, there may arise some error in voltage values and waveforms depending upon the internal impedance of the tester or the measuring unit.
- *The parenthesized are the values of voltage generated during playing (Test disc 1 kHz, L+R, 0 dB), others are voltage values in stop mode.
- Important safety notice:
Components identified by Δ mark have special characteristics important for safety. When replacing any of these components, use only manufacturer's specified parts.
- The supply part number is described alone in the replacement parts list.

Part No.	Production Part No.	Supply Part No.
IC11	LM2940T5M	LM2940T5
IC891	BA4560FT1	SVIBA4560FT1

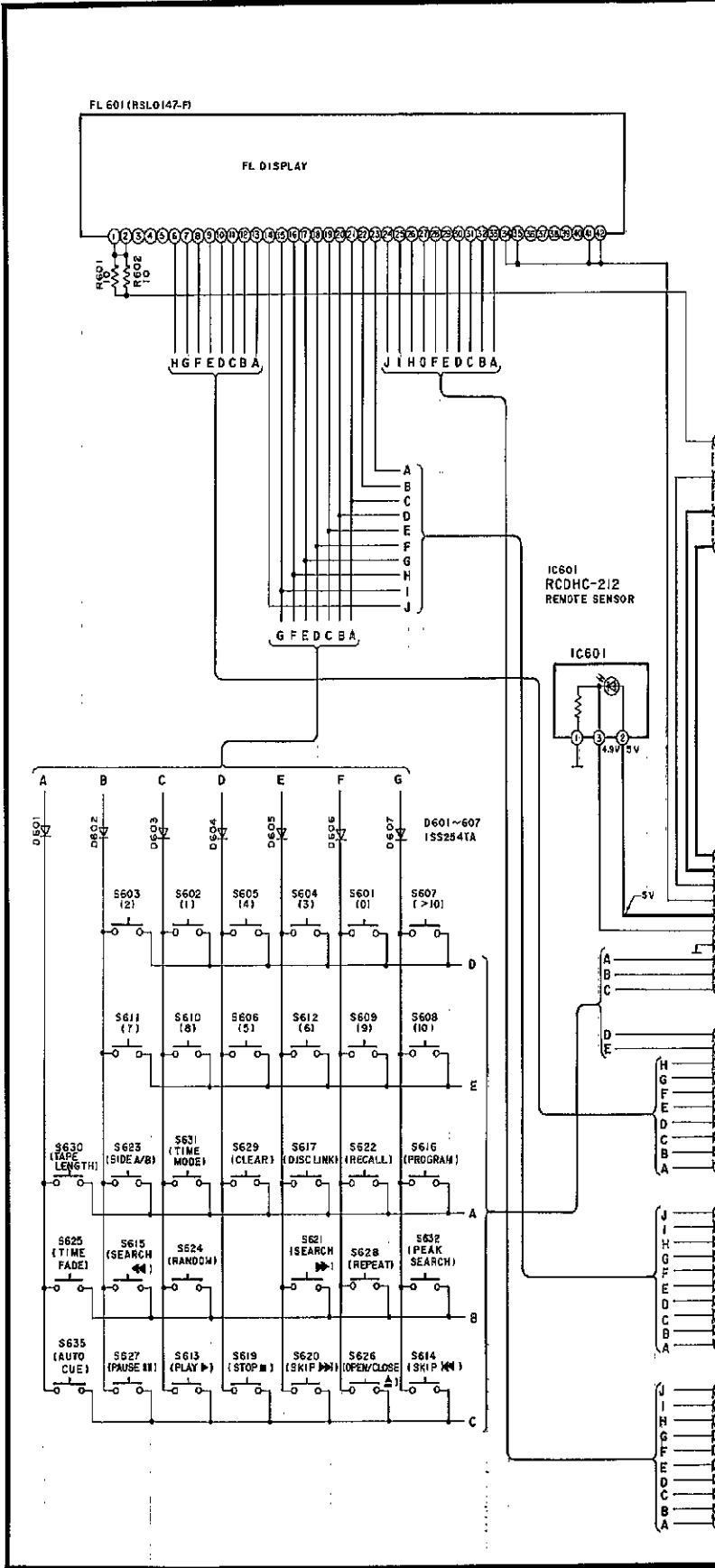
- : Positive voltage lines
- - - : Negative voltage lines
- ⊘ : Audio signal lines.

Caution!

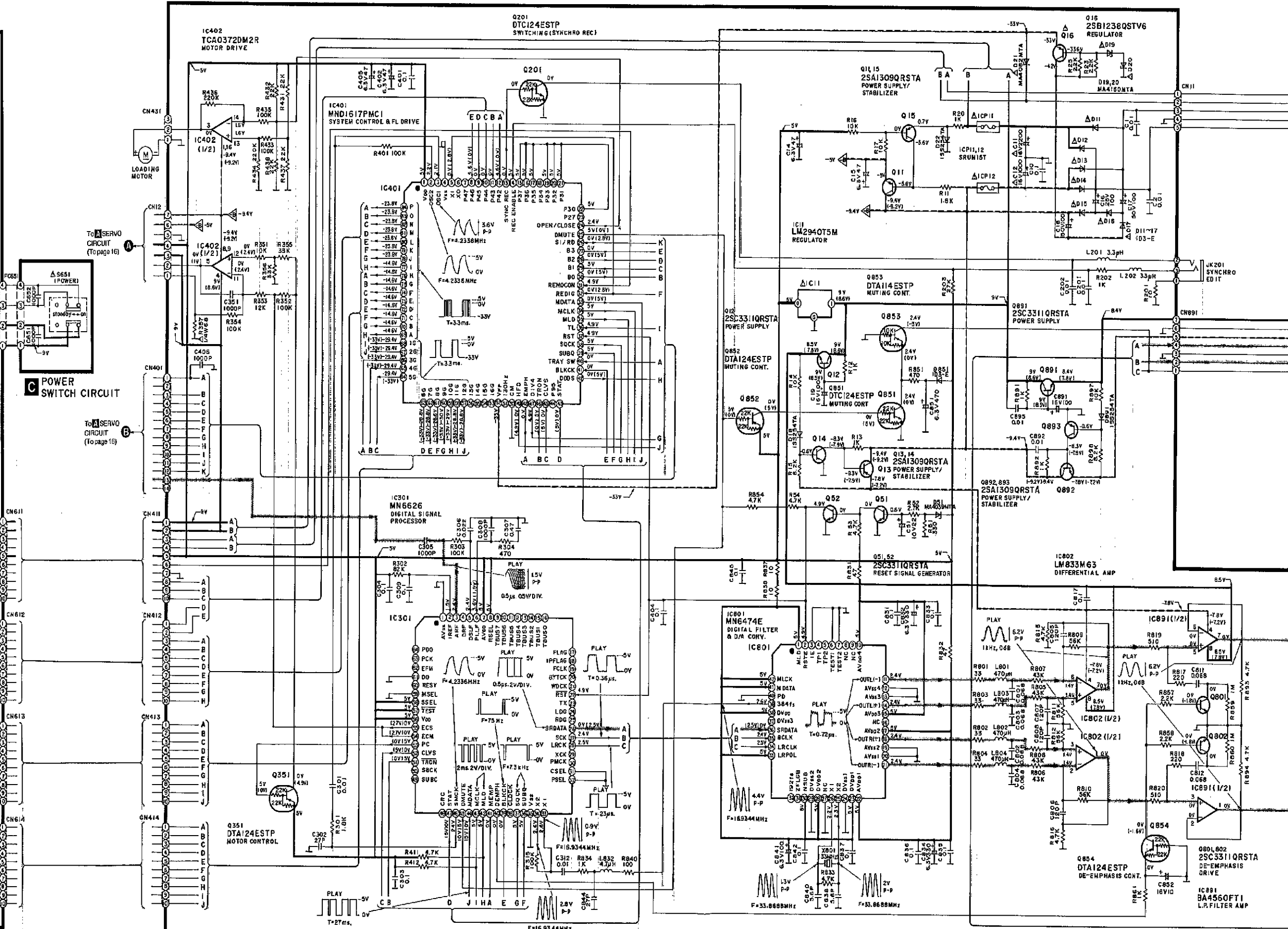
- IC and LSI are sensitive to static electricity. Secondary trouble can be prevented by taking care during repair.
- Cover the parts boxes made of plastics with aluminum foil.
- Ground the soldering iron.
- Put a conductive mat on the work table.
- Do not touch the pins of IC or LSI with fingers directly.



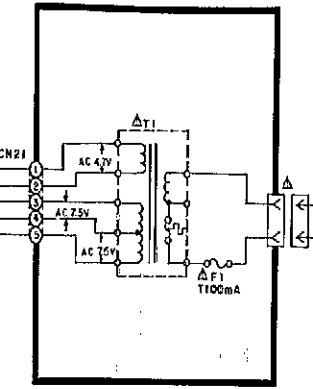
B OPERATION CIRCUIT



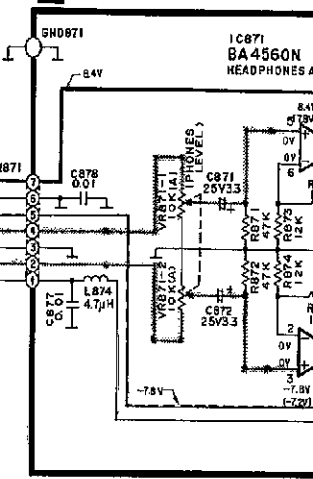
D MAIN CIRCUIT



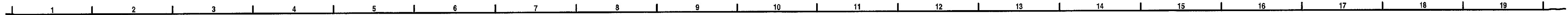
E POWER SUPPLY CIRCUIT



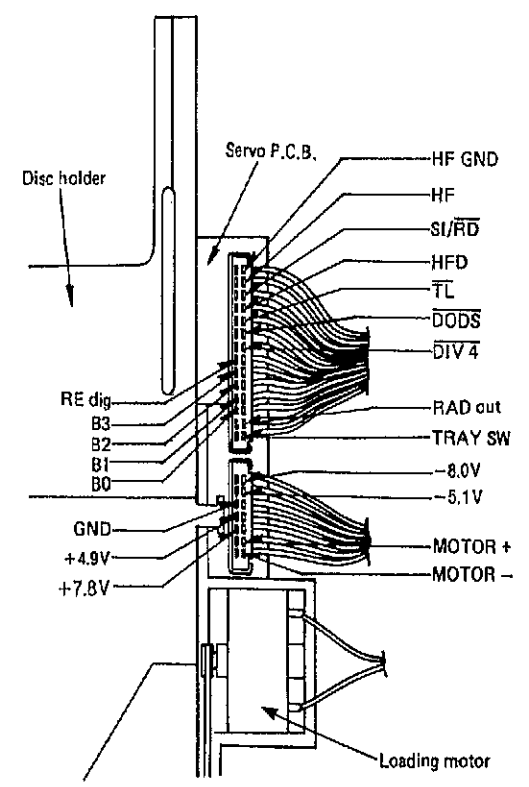
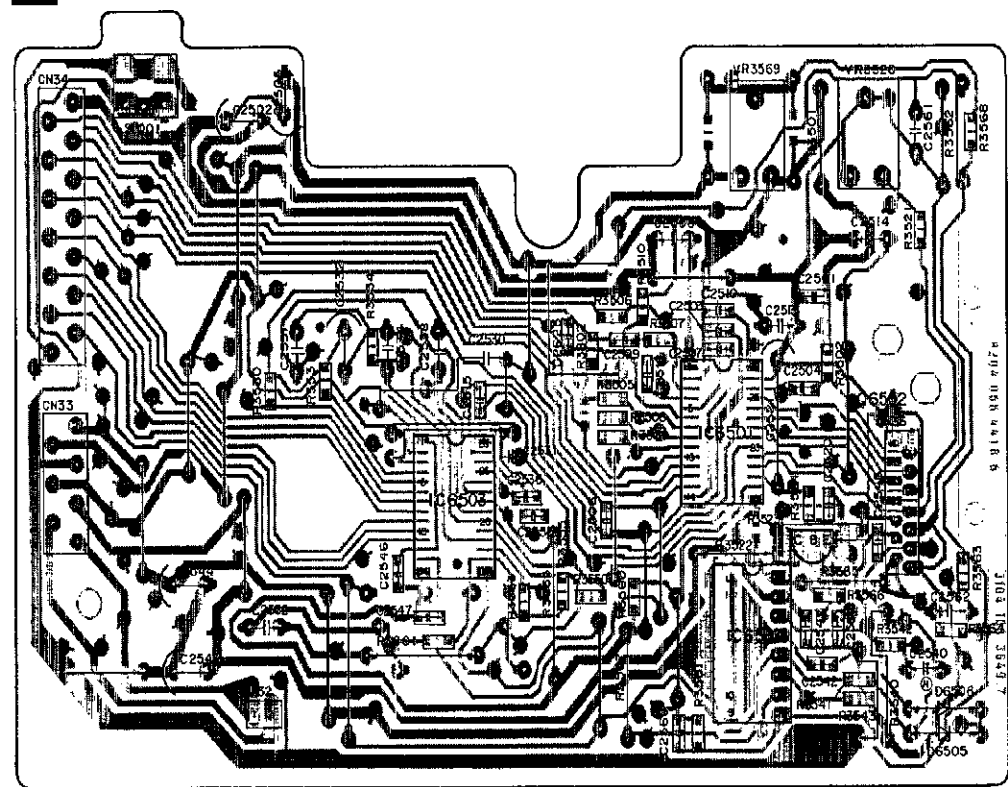
F HEADPHONES CIRCUIT



PRINTED CIRCUIT BOARD DIAGRAM

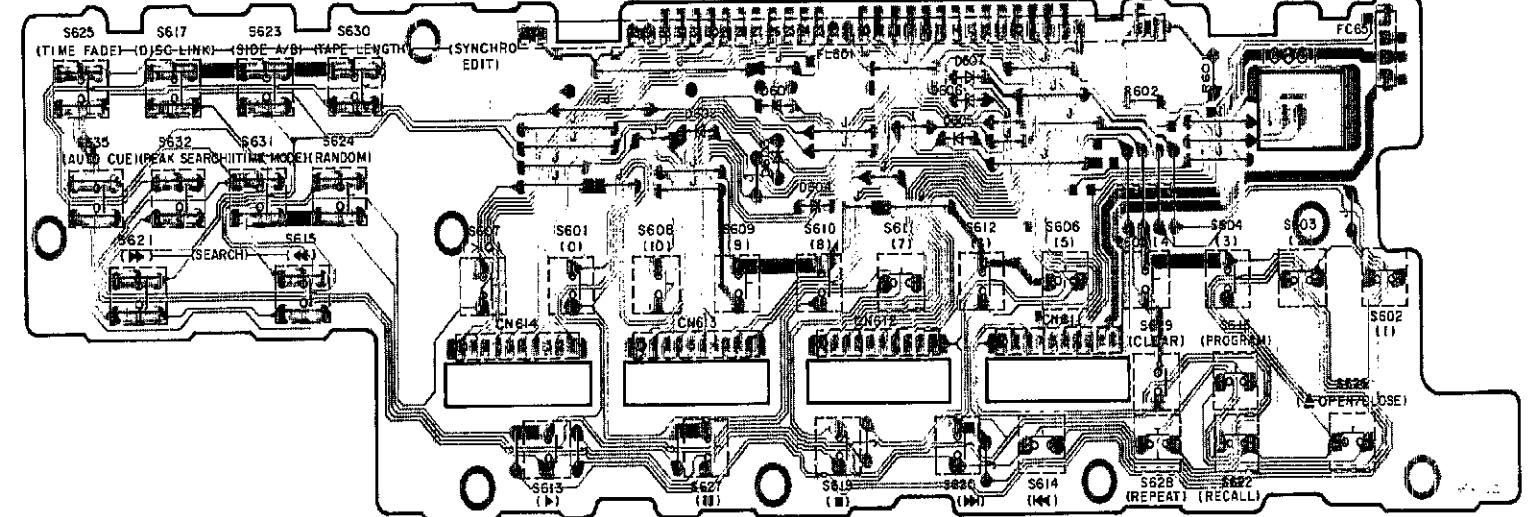


A SERVO P.C.B. (310 411 802 431)

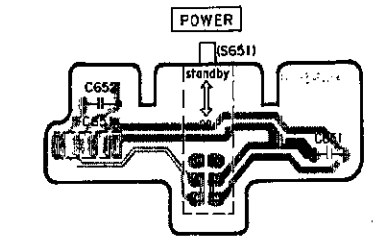


Note: Use connector pins to check servo circuit voltages and waveforms.

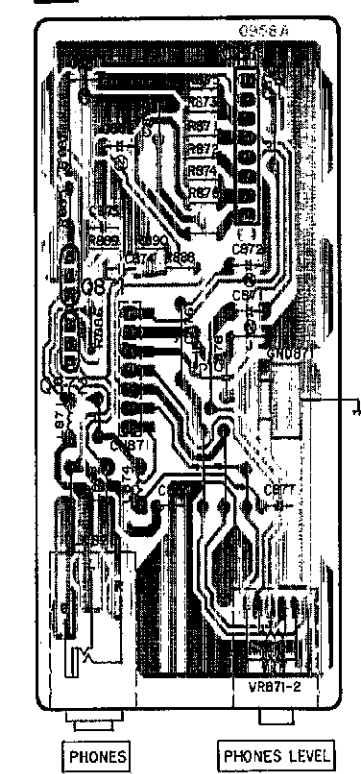
B OPERATION P.C.B. (REP1540A-S)



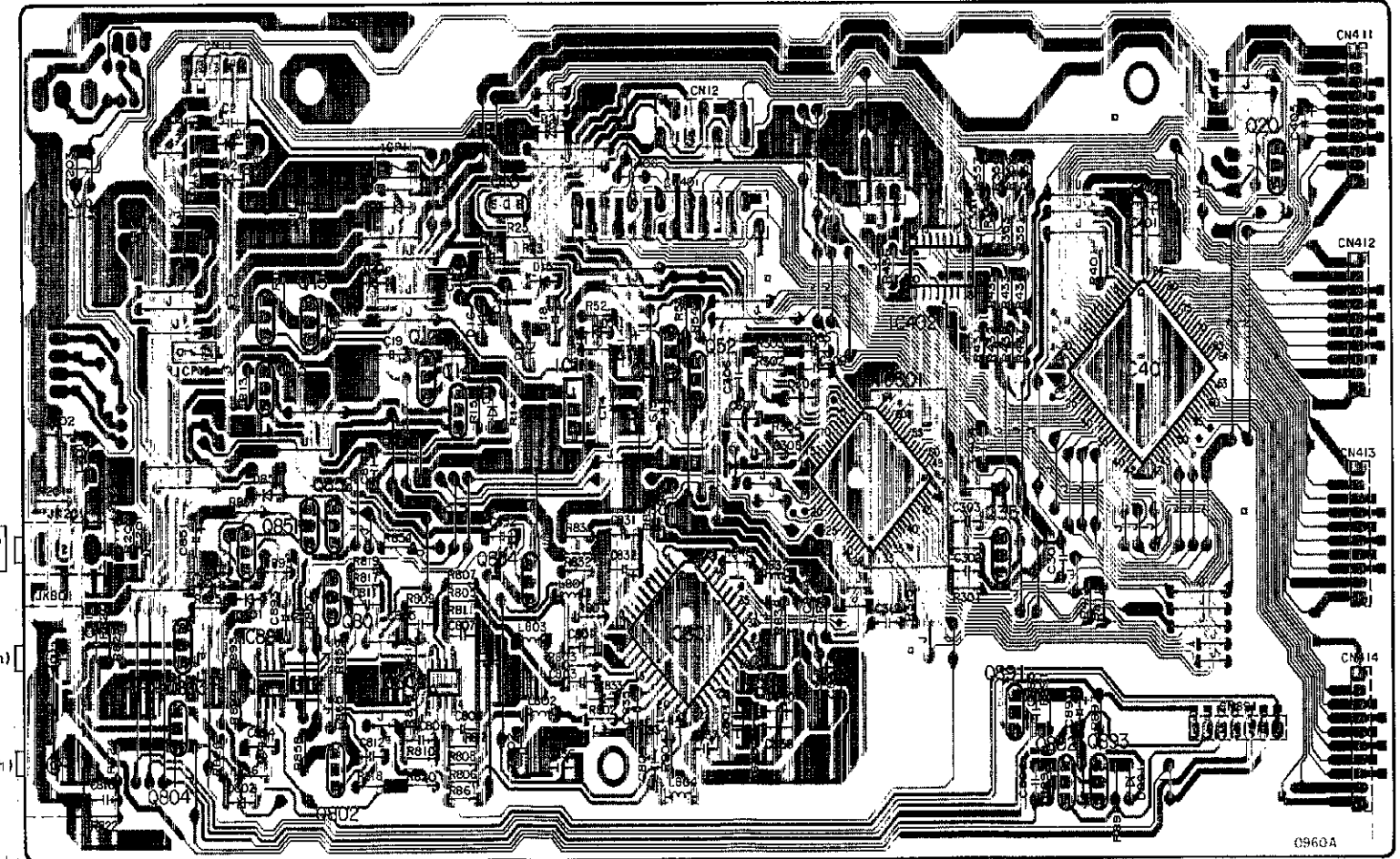
C POWER SWITCH P.C.B. (REP1540A-S1)



F HEADPHONES P.C.B. (REP1537A-S)



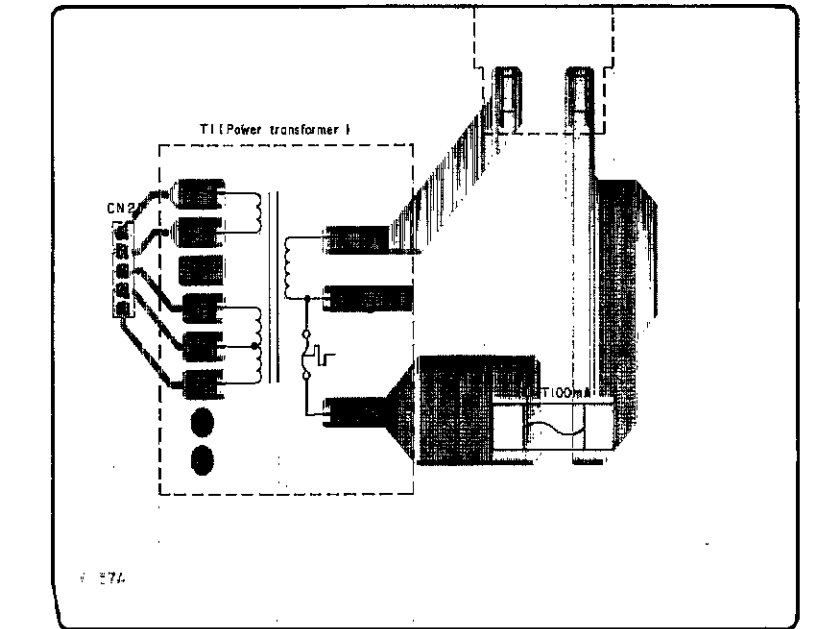
D MAIN P.C.B. (REP1532B-M)



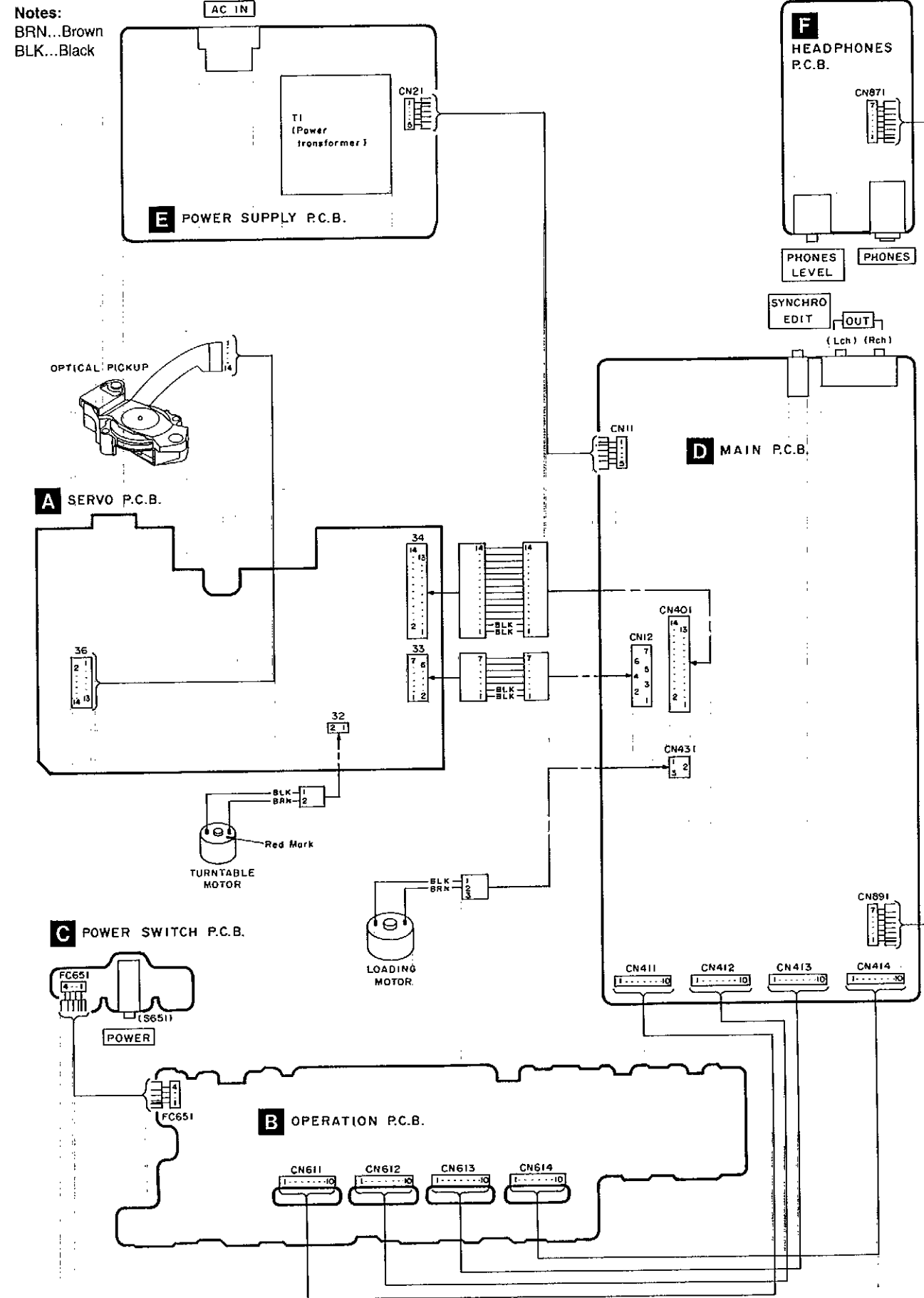
Terminal guide of IC's, transistors and diodes

BA4560FT1		LM633M63 TCA0372DM2R	8 Pin 16 Pin		48220973234 (TDA3808T) 48220973235 (TDA3809T)
482220972587 (TCA0372DP2)		MN6474E MN6626 MND1617PMC1	42 Pin 64 Pin 84 Pin	BA4560N	LM2940T5M
RCDHC-212		2SA1309QRSTA 2SC3311QRSTA 2SD1450RSTTA		DTA114ESTP DTA124ESTP DTC124ESTP	2SB1238QSTV6
482213044121 (BC338)		1SS254TA		MA4039MTA MA4082MTA	MA4160MTA 482213061101 (HZ7C2)

E POWER SUPPLY P.C.B. (REP1536A-P)



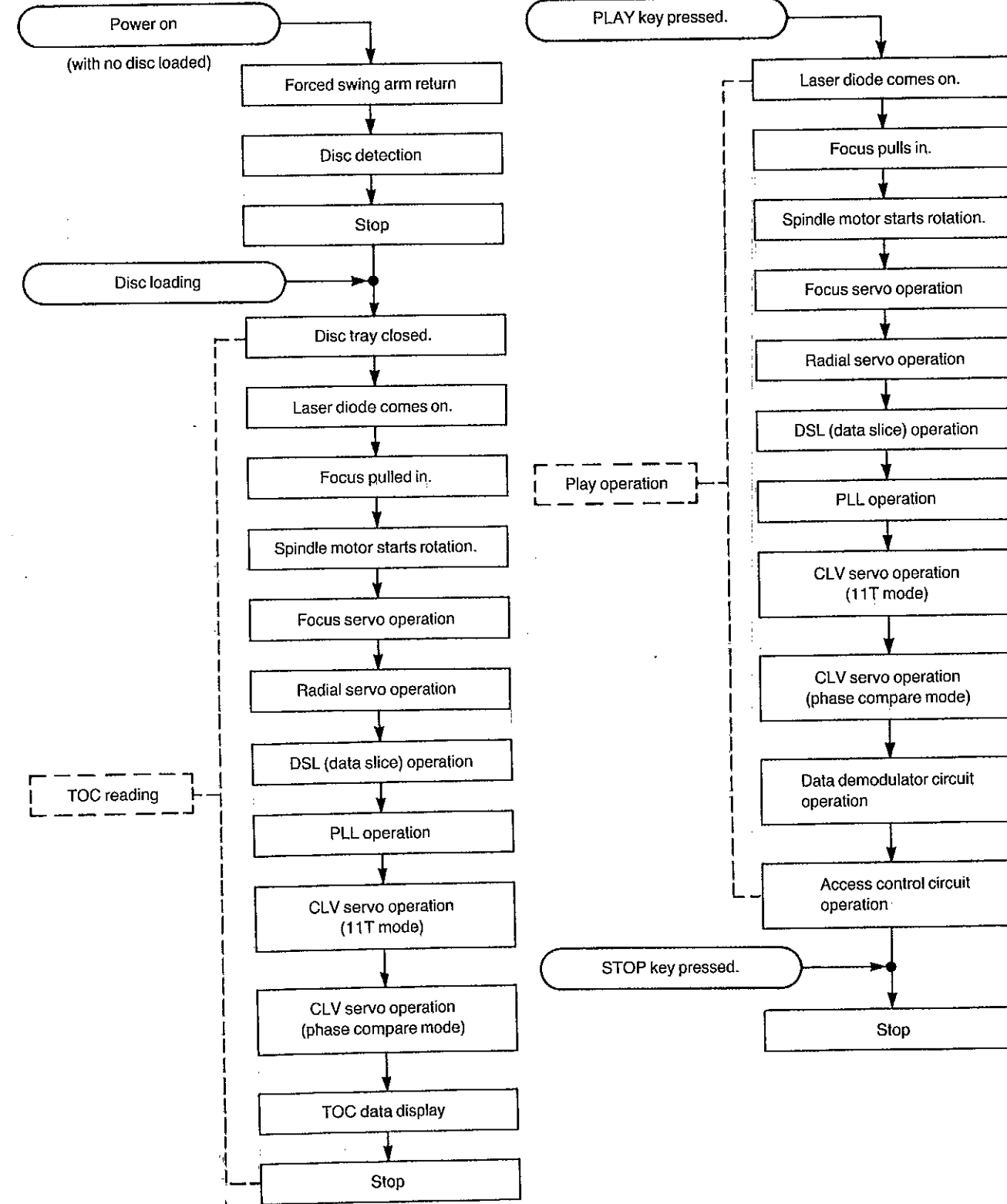
WIRING CONNECTION DIAGRAM



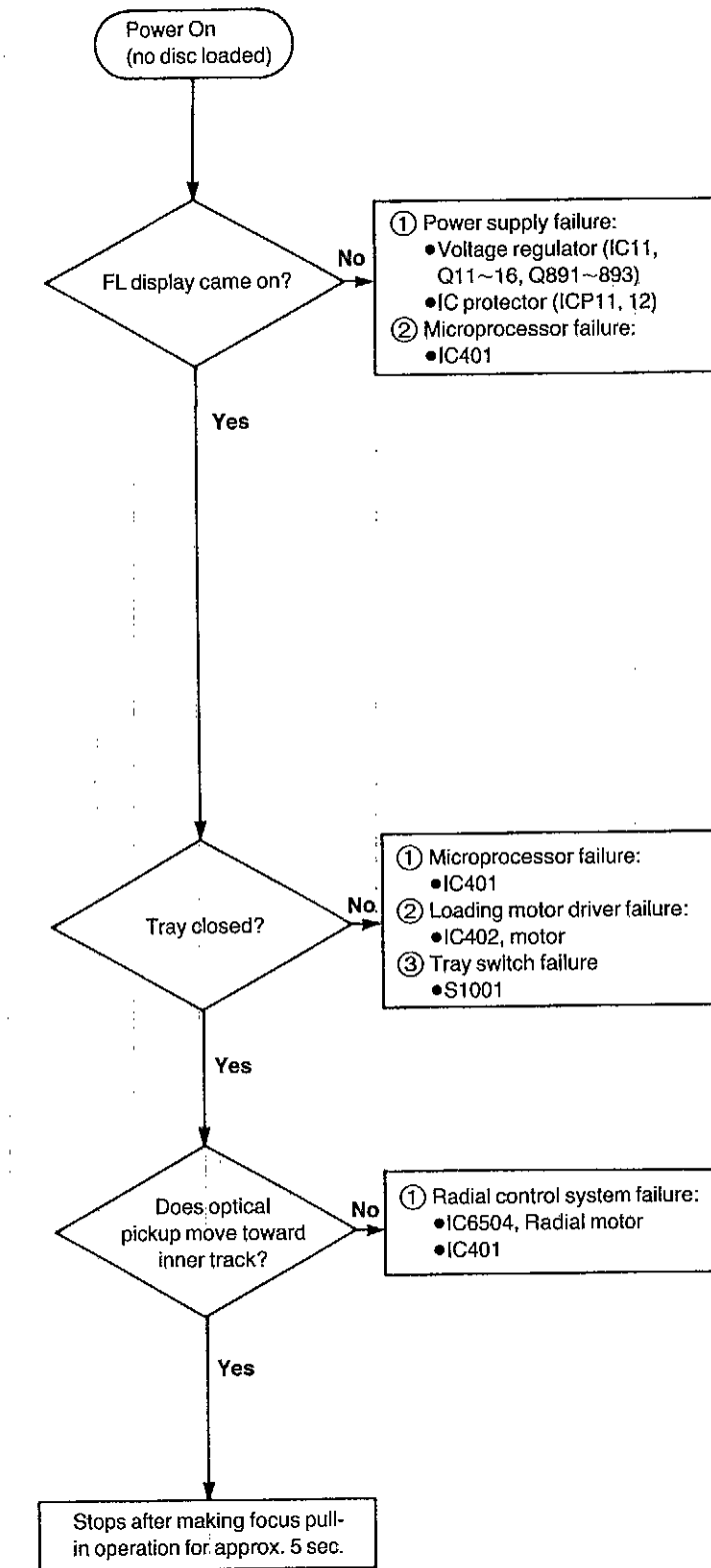
TROUBLESHOOTING GUIDE

SL-PG440A Operation Sequence Check Sheet

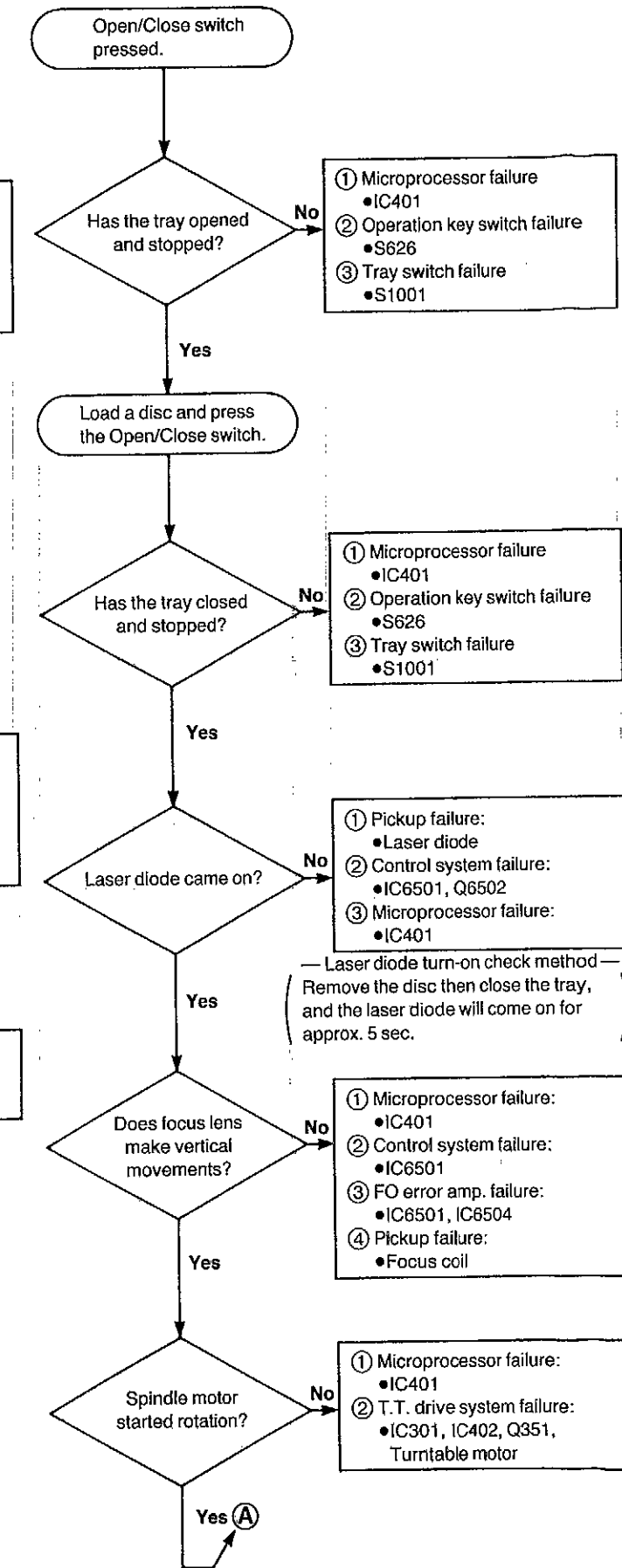
Play Operation Sequence

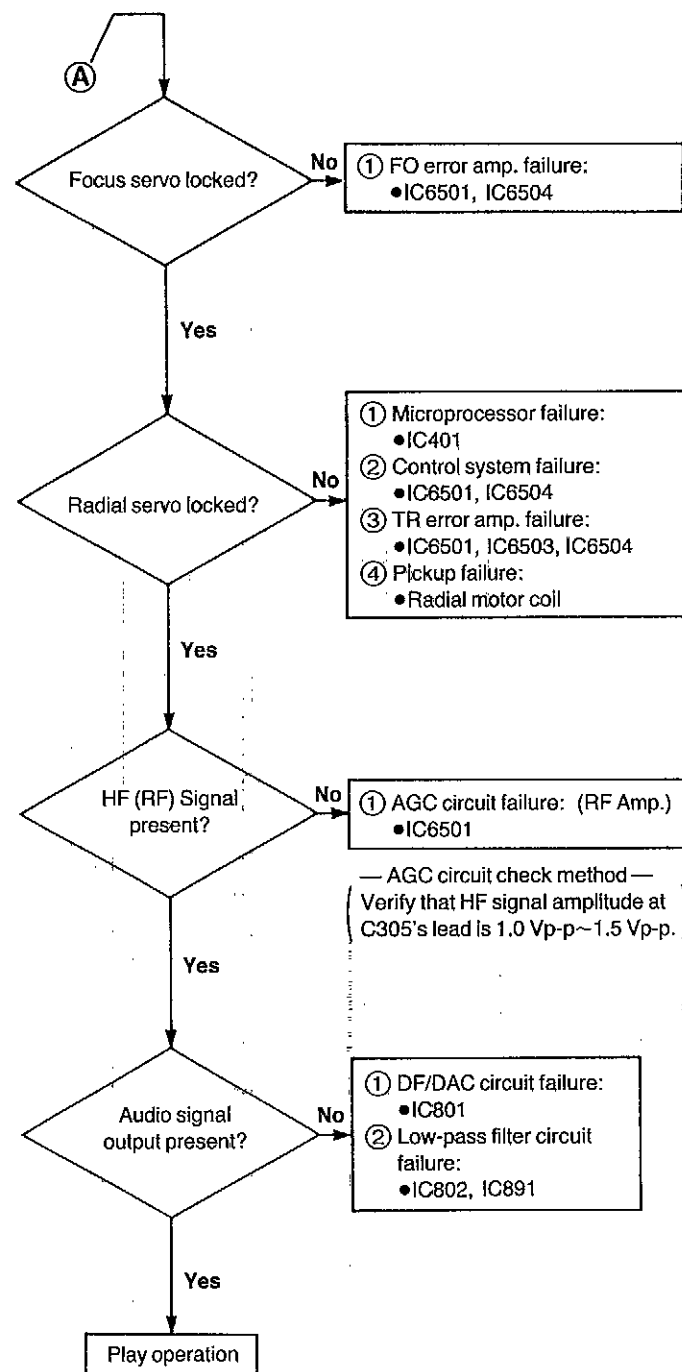


(Operation Sequence Just After Power On)



(TOC Read Operation-PLAY Operation)

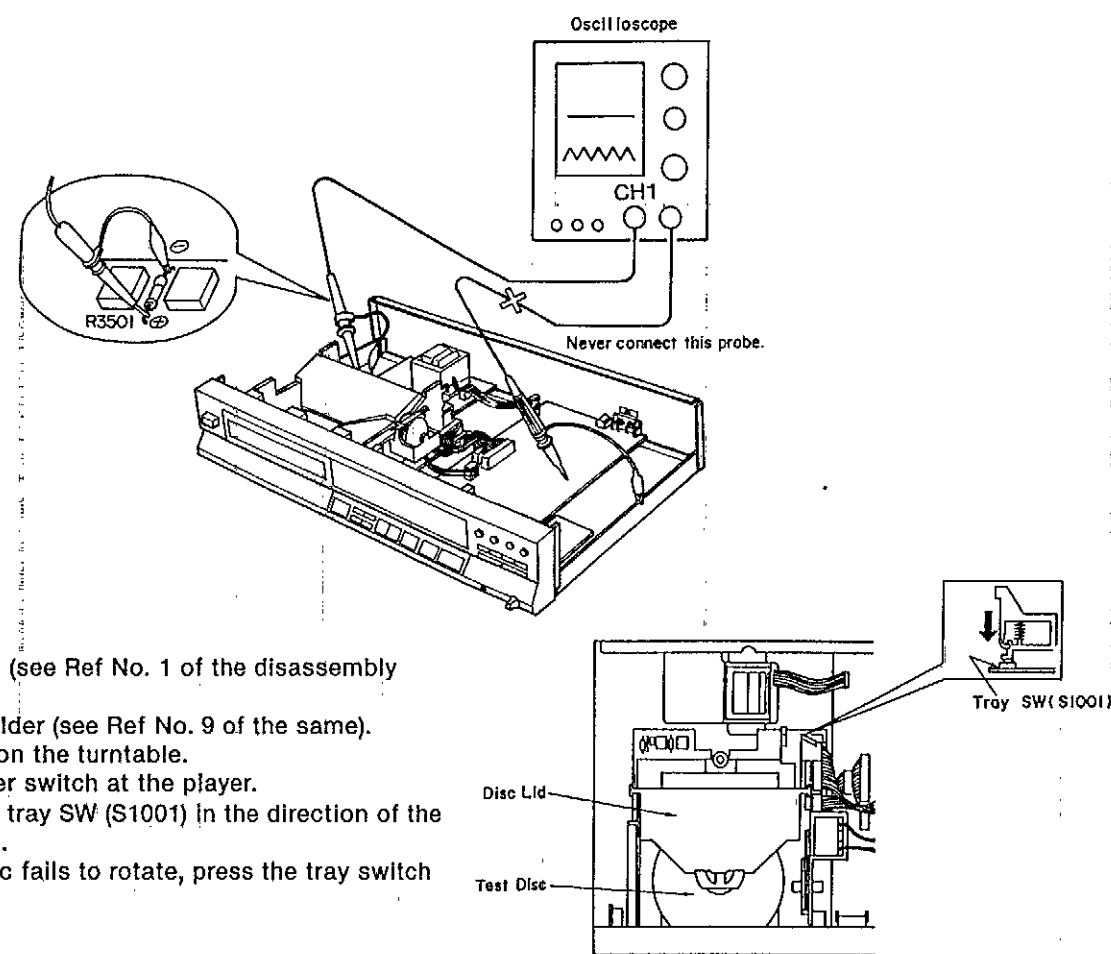




MEASUREMENTS AND ADJUSTMENTS

Caution:

- It is very dangerous to look at or touch the laser beam. (Laser radiation is invisible.) With the unit turned "on", laser radiation is emitted from the pickup lens. Avoid exposure to the laser beam, especially when performing adjustments.
- During laser power or focus offset adjustment, never connect the other probe to the unit. (Otherwise the unit's power supply will sustain damage.)

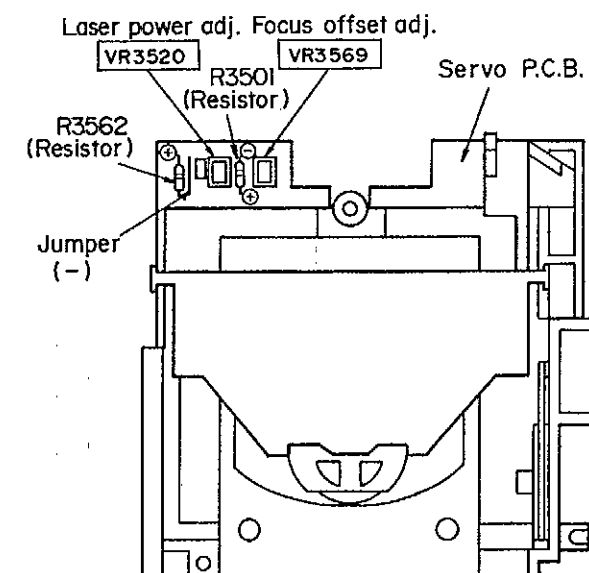


PREPARATION

- Remove the cabinet (see Ref No. 1 of the disassembly instructions).
 - Remove the disc holder (see Ref No. 9 of the same).
 - Place the test disc on the turntable.
 - Turn "ON" the power switch at the player.
 - Push the bracket of tray SW (S1001) in the direction of the arrow and release it.
- Note:** If the test disc fails to rotate, press the tray switch again.

ADJUSTMENT POINTS

• Servo P.C.B.



Measuring Instruments

- * Playability test disc (SZZP1054C).
- * Normal disc (Ordinary musical program disc).

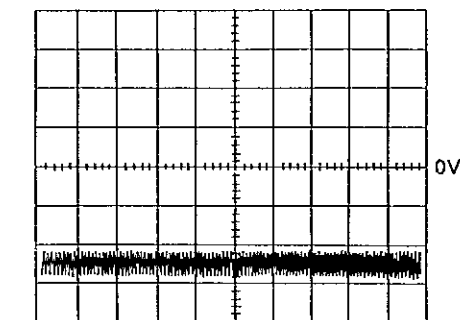
- * Dual-beam oscilloscope with bandwidth of 30MHz or better (with EXT trigger and 1:1 probe).

(1) LASER POWER ADJUSTMENT

- Connect the oscilloscope's CH1 probe across (+) and (-) of R3501 (Resistor) on the servo P.C.B.
- Switch the player power ON, and play track No. 1 on the test disc (SZZP1054C).
- Adjust VR3520 so that the voltage is $-50 \pm 2 \text{ mV}$.

Oscilloscope setting:

VOLT20mV
SWEEP0.2msec.
INPUTDC

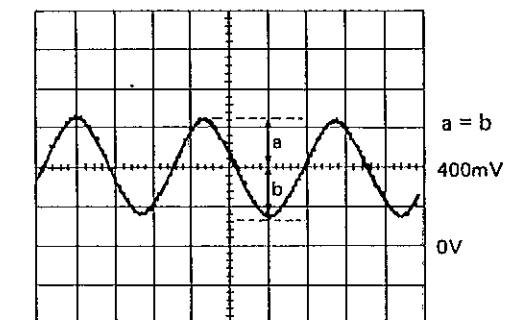


(2) FOCUS OFFSET ADJUSTMENT

- Connect the oscilloscope's CH1 probe across R3562 (Resistor) (+) and Jumper (-) on the servo P.C.B.
- Switch the player power ON, and play track No. 1 on the test disc (SZZP1054C).
- Adjust VR3569 until the signal amplitude become in the center of 400mV.

Oscilloscope setting:

VOLT200mV
SWEEP5msec.
INPUTDC



(3) CHECK OF PLAY OPERATION AFTER ADJUSTMENT

* Checking Skip Search

- Play an ordinary musical program disc.
- Press the skip button to check for normal skip search operation (in both the forward and reverse directions).

* Checking Manual Search

- Play an ordinary musical program disc.
- Press the manual search button to check for smooth manual search operations at either low or high speed (in both the forward and reverse directions).

* Playability check by test disc

- Play the 0.7mm black dot and the 0.7mm wedge on the playability test disc (SZZP1054C) and verify that no sound skip or noise occurs.

■ TERMINAL FUNCTION OF IC'S

• IC6501 (482220973234/TDA8808T): Photo diode signal processor

Pin No.	Mark	I/O Division	Function
1	GCHF	I	Gain control input of HF amplifier. Current output from HF amplitude detector
2	Vp	I	Positive supply voltage
3	HFout	O	HF amplifier and equalizer voltage output
4	DET	I	HF detector voltage input
5	Sc	I	Starting up capacitor input
6	Si/RD	I/O	On/off control (start input); ready signal output (starting up procedure successful)
7	Beg	I	Equalizer reference current input
8	Bgc	I	DC and LF gain control reference current input
9	FOC START	I	Focus normalizing circuit starting current
10	PLLH	O	PLL on hold output
11	$\overline{\text{TL}}$	O	Track loss output
12	$\overline{\text{DODS}}$	I	Drop out detector suppression input
13	Vext	I	Negative supply connection for FE and FElag output stage; also substrate connection
14	LPF	O	Low pass filter for Iret, used in track loss ($\overline{\text{TL}}$) detector and LF gain control

Pin No.	Mark	I/O Division	Function
15	FE	O	Current output of normalized, switched focus error signal
16	FElag	O	Current output of switched focus error signal, intended for lag network
17	LO	O	Laser amplifier current output
18	LM	I	Laser monitor diode input
19	GCLF	I	Gain control input for AC and LF amplifiers. Current output from LF amplitude detector
20	Re2	O	Summation of amplified currents from D3 and D4
21	Re1	O	Summation of amplified currents from D1 and D2
22, 23	D1, D2	I	Current inputs to DC and LF photo diode amplifier
24, 25	D3, D4	I	Current inputs to DC and LF photo diode amplifier
26	HFin	I	Current input to HF amplifier
27	GND	—	Ground connection of device
28	DEC	I	Decoupling input (internal bypass)

• IC6503 (482220973235/TDA8809T): Radial error signal processor

Pin No.	Mark	I/O Division	Function
1	Vp	I	Positive supply voltage
2	Cosc1	I	Frequency setting capacitors for oscillator
3	Cosc2		
4	Rwob	I	Wobble generator input
5	Rosc	I	Biassing resistor for oscillator frequency and internal amplitude
6	$\overline{\text{DIV4}}$	I	Radial error digital signal divided by four
7	REdig	O	Digital output of sign (Re2 – Re1)
8	B3	I	Input control bits for off-, catch-, play-status and DAC output current
9	B2		
10	B1		
11	B0		
12	Vext (+)	I	Positive external voltage input
13	Vext (–)	I	Negative external voltage input (also substrate connection)
14	GND	—	GND terminal
15	RADout	O	Current output of amplified (Re2 – Re1) input currents
16	REin	I	Radial error input
17	RElag	O	Voltage output of integrated (Re2 – Re1) input currents

Pin No.	Mark	I/O Division	Function
18	Lag	I	Connection of integrator capacitor for (Re1 – Re2) input currents
19	Lead	O	Lead output
20	Vref	I	Internal reference voltage output
21	AGC	I	Gain control input for radial error signal
22	RDAC	O	Biassing resistor for current output for track jumping (3½ bits)
23	offset in	I	Offset control input for radial offset
24	offset off	O	Offset control output for radial offset
25	CLPF	I	Low-pass filter for Re1 and Re2, used for radial offset control
26	CHPF	I	High-pass filter for Re1 and Re2, used for radial offset control
27	Re1	I	Input for amplified currents from photo diodes D1 and D2
28	Re2	I	Input for amplified currents from photo diodes D3 and D4

• IC301 (MN6626): Digital signal processor

Pin No.	Mark	I/O Division	Function
1	AVSS	—	GND terminal
2	IREF	I	Reference current input
3	ARF	I	RF signal input
4	DRF	I	DSL bias terminal (Not used, open)
5	DSL F	I/O	DSL loop filter terminal
6	PLL F	I/O	PLL loop filter terminal
7	AVDD	I	Power supply terminal
8	RSEL	I	RF signal polarity setting terminal (Not used, connected to VDD)
9 16	TBUS7 TBUS0	O	Test terminal
17	FLAG	O	Flag terminal
18	IPFLAG	O	Interpolation flag terminal
19	FCLK	O	Crystal frame clock (Not used, open)
20	BYTCK	O	Byte clock (Not used, open)
21	WDCK	O	Word clock (Not used, open)
22	RST	I	Reset terminal
23	TX	O	Digital audio signal (Not used, open)
24	LDG	O	Lch deglitch signal (Not used, open)
25	RDG	O	Rch deglitch signal (Not used, open)
26	SRDATA	O	Serial data output (MSB first)
27	SCK	O	Serial bit clock output
28	LRCK	O	L/R discriminating signal
29	XCK	O	Crystal OSC terminal (f=16.9344 MHz) (Not used, open)
30	PMCK	O	Frequency division clock signal (Not used, open) $(f = \frac{1}{192} \times CK = 88.2 \text{ kHz})$
31	CSEL	I	Test terminal (Connected to GND)
32	PSEL		
33	X1	I	Crystal OSC terminal (f=16.9344 MHz)
34	X2	O	
35	VSS	—	GND terminal
36	SUBQ	O	Sub-code Q data
37	SQCK	I	Sub-code Q register clock
38	CLDCK	O	Sub-code frame clock (f=7.35 kHz) (Not used, open)

Pin No.	Mark	I/O Division	Function
39	BLKCK	O	Sub-code block clock (f=75 Hz)
40	DEMPH	O	De-emphasis ON signal ("H": ON)
41	MEMP	I	Emphasis signal
42	MLD	I	Command load signal ("L": LOAD)
43	MCLK	I	Command clock signal
44	MDATA	I	Command data signal
45	D MUTE	I	Muting input ("H": MUTE)
46	SMCK	O	System clock (f=4.2336 MHz)
47	STAT	O	Status signal (CRC, CUE, CLVS, TTSTOP, FCLV, SQOK)
48	CRC	O	Sub-code CRC check terminal ("H": OK, "L": NG) (Not used, open)
49	SUBC	O	Sub-code serial output data (Not used, open)
50	SBCK	I	Sub-code serial output clock (Not used, open)
51	TRON	I	Tracking servo ON signal ("L": ON)
52	CLVS	O	Turntable servo phase synchro signal ("H": CLV, "L": Rough servo)
53	PC	O	Turntable motor ON signal ("L": ON)
54	ECM	O	Turntable motor drive signal (Forced mode)
55	ECS	O	Turntable motor drive signal (Servo error signal)
56	VDD	I	Power supply terminal
57	TEST	I	Test terminal (Normal: "H")
58	SSEL	I	"SUBQ" terminal mode select ("H": Q code buffer)
59	MSEL	I	"SMCK" terminal frequency select ("L": SMCK=4.2336 MHz) (Not used, connected to GND)
60	RESY	O	Re-synchronizing signal of frame sync. (Not used, open)
61	DO	I	Drop-out detection signal ("H": Drop-out) (Not used, connected to GND)
62	EFM	O	EFM signal (Not used, open)
63	PCK	O	PLL extract clock (f=4.3218 MHz) (Not used, open)
64	PDO	O	Phase compared signal of EFM and PCK (Not used, open)

●IC401 (MND1617PMC2): System control & FL drive

Pin No.	Mark	I/O Division	Function
1	VDD	I	Power supply terminal
2	OSC2	I	System clock input (f=4.2336MHz)
3	OSC1		
4	VSS	—	GND terminal
5	XI	I	Radial error digital signal
6	XO	O	Not Used, open
7	P47	I	
8 } 12	P46 } P42	I	Key return signal
13	SYNC REC	O	Synchro rec control
14	REC ENABLE	I	
15 } 18	P37 } P34	—	Not used, open and connected to terminal
19	P33	—	Not used, open and connected to terminal
20	P32		
21	P31		
22	P30		
23	P27		
24	OPEN/ CLOSE	O	Loading motor control signal
25	DMUTE	O	Muting output ("H": MUTE)
26	SI/RD	I/O	On/off control and ready signal
27 } 30	B3 } B0	O	Control bits for off-, catch-, play-status and DAC output current
31	REMOCON	I	Remote control signal
32	REDIG	I	Radial error digital signal
33	MDATA	O	Command data signal
34	MCLK	O	Command clock signal
35	MLD	O	Command load signal ("L": LOAD)

Pin No.	Mark	I/O Division	Function
36	TL	I	Track loss input
37	RST	I	Reset terminal
38	SQCK	O	Sub-code Q register clock
39	SUBQ	I	Sub-code Q data
40	TRAY SW	I	Disc holder open/close det. terminal
41	BLKCK	I	Sub-code block clock (f=75Hz)
42	DODS	O	Drop-out detect signal
43	STAT	I	Status signal (CRC, CUE, CLVS, TTSTOP, FCLV, SQOK)
44	P95	—	Not used, open
45	CLVS	I	Spindle servo phase synchro signal ("H": CLV, "L": Rough servo)
46	TRON	O	Tracking servo ON signal ("L": ON)
47	DIV4	O	Radial error digital signal divided by four
48	EMPH	O	Emphasis signal
49	HFD	I	PLL on hold input
50	CM	—	Not used, connected to GND
51	130Hz	—	Not used, open
52	VPP	I	Power supply terminal for FL drive
53 } 56	16G } 13G	—	Not used, open
57 } 68	12G } 1G	O	FL digit signal
69 } 84	A/SEGO } P/SEGP	O	FL segment signal and key scan signal

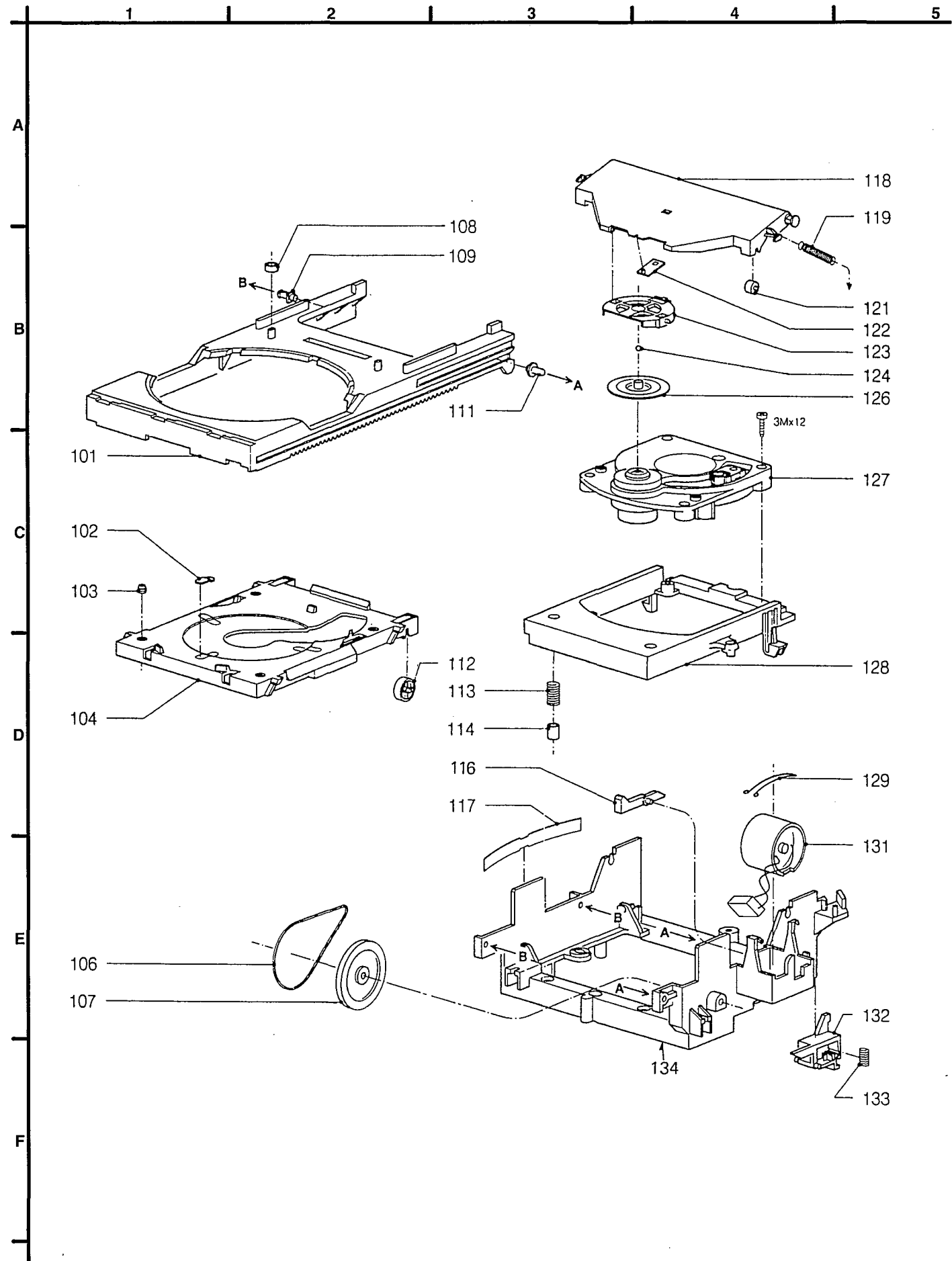
●IC801 (MN6474E): Digital filter and D/A converter

Pin No.	Mark	I/O Division	Function
1	MLD	I	Command load input (load: L) (Not used, connected to VDD)
2	RSTB	I	Reset terminal
3	IE	I	Not used, connected to GND
4	TP1	—	TEST terminal
5	TP2	—	
6	TEST1	I	TEST terminal 1 (connected to GND)
7	TEST2	I	TEST terminal 2 (connected to GND)
8	NC	—	Not connected
9	NC	—	Not connected
10	AVDD4	I	Power supply terminal
11	OUTL (-)	O	Lch data output, (-) terminal
12	AVSS4	—	GND terminal
13	AVSS3	—	GND terminal
14	OUTL (+)	O	Lch data output, (+) terminal
15	AVDD3	I	Power supply terminal
16	NC	—	Not connected
17	AVDD2	I	Power supply terminal
18	OUTR (+)	O	Rch data output, (+) terminal
19	AVSS2	—	GND terminal (analog system)
20	AVSS1	—	GND terminal (analog system)
21	OUTR (-)	O	Rch data output, (-) terminal
22	AVDD1	I	Power supply terminal
23	DVDD1	I	Power supply terminal

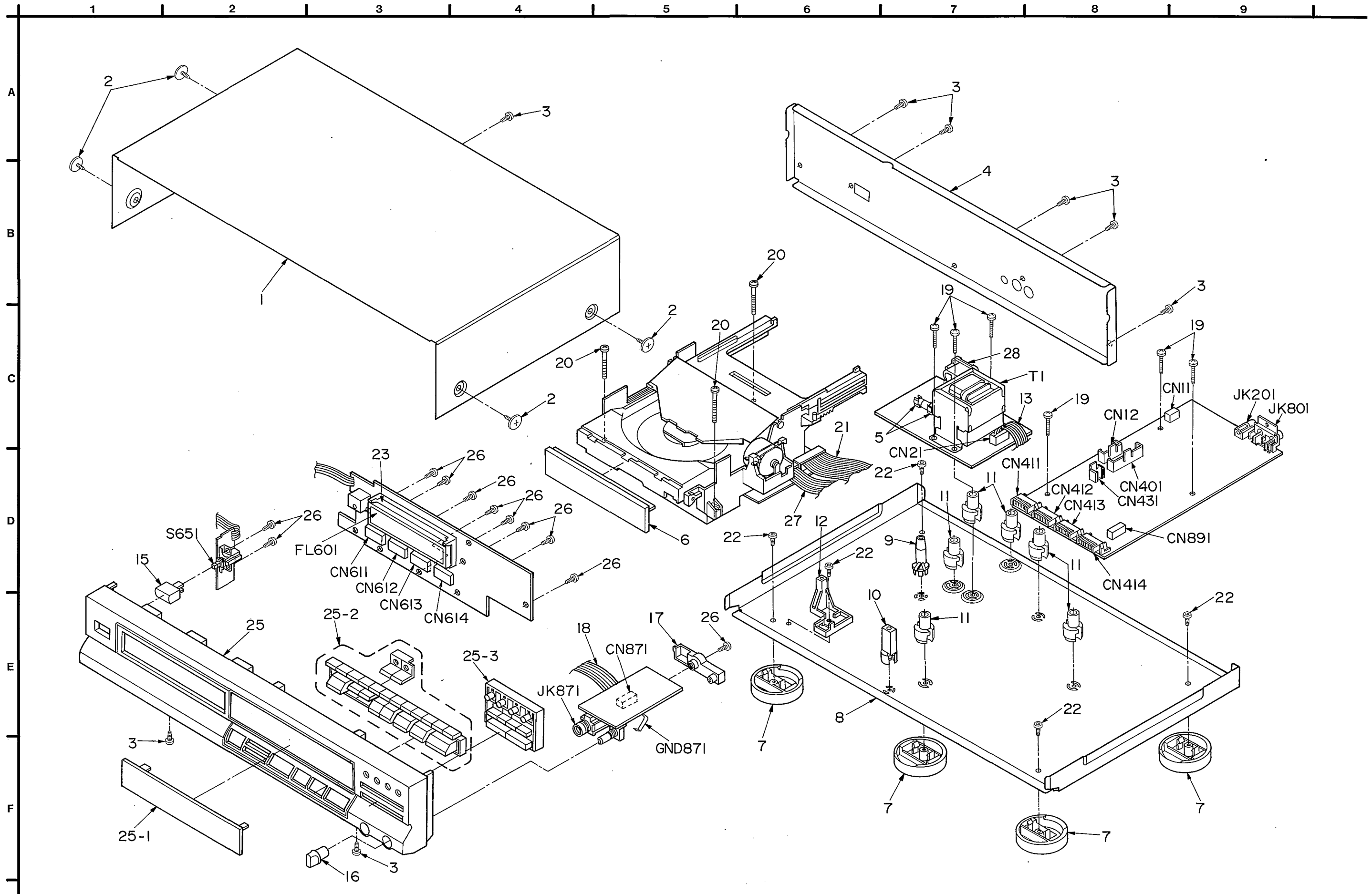
Pin No.	Mark	I/O Division	Function
24	DVSS1	—	GND terminal (digital system)
25	X2	O	Crystal OSC terminal (33MHz)
26	X1	I	
27	NC	—	Not connected
28	DVDD2	I	Power supply terminal
29	DVSS2	—	GND terminal (digital system)
30	NSUB	I	Sub-strate terminal (Not used, connected to VDD)
31	ZFLGB	O	Zero input detector terminal (Not used, open)
32	192fs	O	192fs (8.4672MHz) (Not used, open)
33	LRPOL	I	LR clock selector (Not used, connected to VDD)
34	LRCLK	I	LR discrimination signal input
35	BCLK	I	Serial bit clock input
36	SRDATA	I	Serial data input (MSB first)
37	DVSS3	—	GND terminal (digital system) (Not used, open)
38	DVDD	I	Power supply terminal
39	384fs	O	384fs (16.9344MHz) output
40	PD	I	Power down terminal (Not used, connected to GND)
41	MDATA	I	Mode control data (Not used, connected to VDD)
42	MCLK	I	Data clock for MDATA (not used, connected to VDD)

LOADING UNIT PARTS LOCATION

Ref. No.	Part No.	Part Name & Description	Remarks	Ref. No.	Part No.	Part Name & Description	Remarks
		CABINET PARTS		121	482252890639	ROLLER	[MB]
1	RKM0098-K	CABINET	[MB]	122	482246692257	PLATE	[MB]
2	SNE2129-1	SCREW		123	482240261207	HOLDER	[MB]
3	XTBS3+8JFZ1	SCREW		124	482252040177	SMALL BALL	[MB]
4	RFKHLPG440AE	REAR PANEL ASS'Y	(E, EG) [MB]	126	482253080503	RING, PRESSURE	[MB]
4	RFKHLPG440AB	REAR PANEL ASS'Y	(EB) [MB]	127	482269130209	OPTICAL PICKUP UNIT	[MB]
5	EYF52BC	FUSE HOLDER		128	482240261196	SUPPORT	[MB]
6	RGK0499-K	TRAY LID	[MB]	129	482249263746	CLAMPING SPRING	[MB]
7	RKA0040B	FOOT	[MB]	131	482236120998	LOADING MOTOR	[MB]
8	FMK0178	BOTTOM BOARD	[MB]	132	482240250244	BRACKET	[MB]
9	FMRO020	SPACER(A)	[MB]	133	482249251935	SPRING, COMPRES.	[MB]
10	FMRO021	SPACER(B)	[MB]	134	482270112729	CHASSIS	[MB]
11	FMRO377	PCB SUPPORT				PACKING MATERIALS	
12	FMRO573-K1	SPACER(C)	[MB]	P1	RPG1376	PACKING CASE	[MB]
13	RWJ6405130XX	FLAT CABLE(5P)	[MB]	P2	RPN0647	CUSHION	[MB]
15	RGU0030	BUTTON, POWER		P3	FMRO024	LOCK SHAFT	[MB]
16	RGW0048	KNOB, H. P. VOLUME		P4	XZB26X17C03	PROTECTION BAG (TRANSMITT)	
17	FMRO610-K	H. P. PCB HOLDER	[MB]	P5	XZB23X35C03	PROTECTION BAG (F. B.)	
18	FMJ1807100XX	FLAT CABLE (7P)	[MB]	P6	XZB60X65A01Z	PROTECTION BAG	
19	XTB3+20JFZ	SCREW				ACCESSORIES	
20	XTB3+35JFZ	SCREW		A1	EUR642100	REMOTE CONTROL TRANSMITTER	[MB]
21	REX0285	FLAT CABLE (14P)	[MB]	A1-1	UR64EC1326	BATTERY COVER	[MB]
22	XTB3+8JFZ	SCREW		A2	RJA0018-1K	AC POWER SUPPLY CORD	△ (E, EG)
23	FMRO659-K	FL HOLDER	[MB]	A2	VJA0733	AC POWER SUPPLY CORD	△ (EB)
25	RYPO402Z-K	FRONT PANEL ASS'Y	[MB]	A3	RQA0013	WARRANTY CARD	
25-1	RKWD245A-R	FL PANEL	[MB]	A4	RQC80169	SERVICE CENTER LIST	
25-2	RGU0807-K	BUTTON, PLAY etc.	[MB]	A5	RFKSLPG440AE	INSTRUCTIONS MANUAL	(E) [MB]
25-3	RGU0808-K	BUTTON, DISC LINK etc.	[MB]	A5	RFKSLPG440AG	INSTRUCTIONS MANUAL	(EG) [MB]
26	XTBS26+8J	SCREW		A5	RQT1681-B	INSTRUCTIONS MANUAL	(EB) [MB]
27	REX0007	FLAT CABLE (7P)	[MB]	A6	SJP2249-3	STEREO CONNECTION CABLE	
28	SJS9236	AC INLET	△	A7	RQCA0059	LOCK CAUTION SHEET	[MB]
		LOADING UNIT PARTS					
101	482244450603	DISC HOLDER	[MB]				
102	482232550176	GROMMET, CABLE	[MB]				
103	482232550177	GROMMET, CABLE	[MB]				
104	482246692251	DISC TRAY	[MB]				
106	482235810115	DRIVE BELT	[MB]				
107	482252232359	WHEEL, GEAR	[MB]				
108	482253251518	RING, RUBBER	[MB]				
109	482240261081	GUIDE	[MB]				
111	482240261132	GUIDE	[MB]				
112	482252890638	ROLLER	[MB]				
113	482249251902	SPRING, COMPRES.	[MB]				
114	482246661587	FOAM	[MB]				
116	482240261107	LEVER	[MB]				
117	482249263659	SPRING, BLADE	[MB]				
118	482244460568	DISC LID	[MB]				
119	482249232883	SPRING, TENSION	[MB]				



■ CABINET PARTS LOCATION

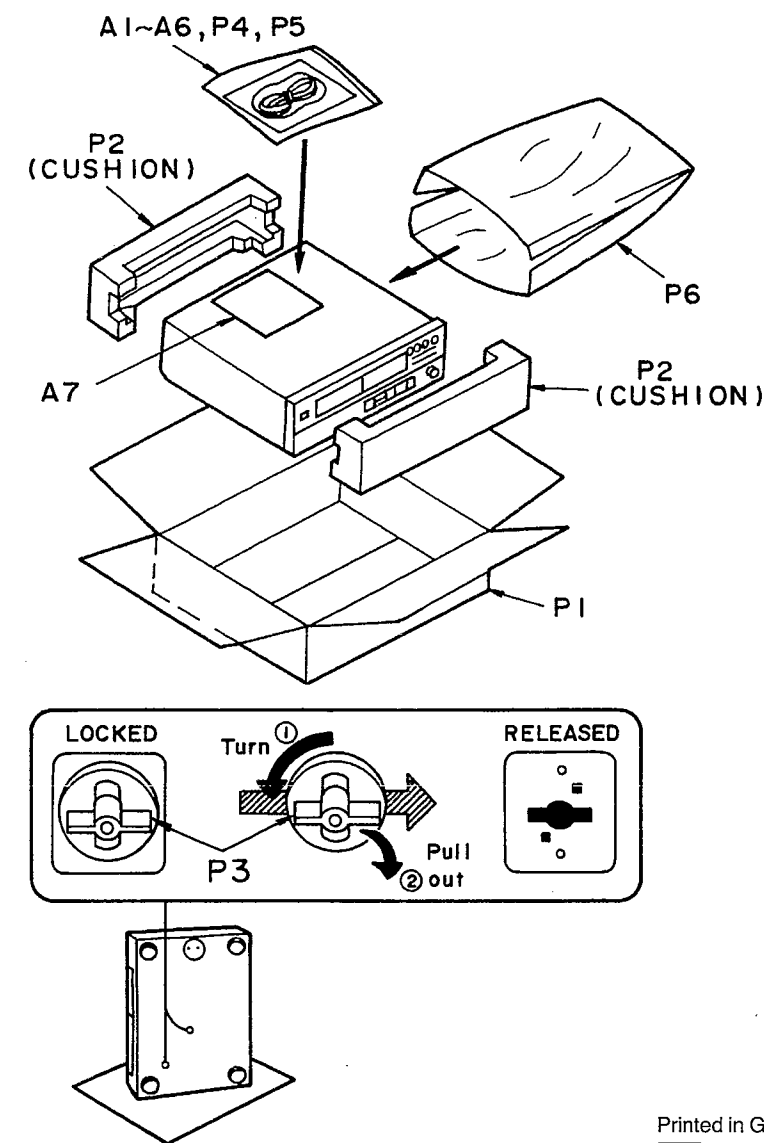


Notes : * Capacity values are in microfarads (uF) unless specified otherwise, P=Pico-farads (pF) F=Farads (F)
 * Resistance values are in ohms, unless specified otherwise, 1K=1,000 (OHM) , 1M=1,000k (OHM)

Ref. No.	Part No.	Values & Remarks	Ref. No.	Part No.	Values & Remarks	Ref. No.	Part No.	Values & Remarks
		RESISTORS	R837, 838	ERDS2TJ100	1/4W 10	R811, 812	ECQV1H683JM3	50V 0.068U
R11	ERDS2TJ182	1/4W 1.8K	R840	ERDS2TJ101	1/4W 100	R815, 816	ECBT1H102KB5	50V 1000P
R12, 13	ERDS2TJ102	1/4W 1K	R851	ERDS2TJ471	1/4W 470	C817	ECFR1E104ZF5	25V 0.1U
R14	ERDS2TJ103	1/4W 10K	R854	ERDS2TJ472	1/4W 4.7K	C831	ECFR1E104ZF5	25V 0.1U
R15	ERDS2TJ822	1/4W 8.2K	R857, 858	ERDS2TJ222	1/4W 2.2K	C832	ECEAOJU331B	6.3V 330U
R16, 17	ERDS2TJ103	1/4W 10K	R859, 860	ERDS2TJ105T	1/4W 1M	C833	ECFR1E104ZF5	25V 0.1U
R20	ERDS2TJ102	1/4W 1K	R861	ERDS2TJ102	1/4W 1K	C834	ECEAOJU331B	6.3V 330U
R23	ERDS2TJ222	1/4W 2.2K	R871, 872	ERDS2TJ473	1/4W 47K	C835-837	ECFR1E104ZF5	25V 0.1U
R25	ERDS2TJ222	1/4W 2.2K	R873, 874	ERDS2TJ123	1/4W 12K	C838	ECBT1H5R6K5	50V 5.6P
R51	ERDS2TJ331	1/4W 330	R875, 876	ERDS2TJ104	1/4W 100K	C840	ECBT1H5R6K5	50V 5.6P
R52	ERDS2TJ272T	1/4W 2.7K	R885, 886	ERDS2TJ222	1/4W 2.2K	C841	ECEAOJKA101B	6.3V 100U
R53, 54	ERDS2TJ472	1/4W 4.7K	R887, 888	ERDS2TJ680T	1/4W 68	C842	ECFR1E104ZF5	25V 0.1U
R201	ERDS2TJ100	1/4W 10	R889, 890	ERDS2TJ472	1/4W 4.7K	C844	ECBT1H270J5	50V 27P
R202	ERDS2TJ102	1/4W 1K	R891, 892	ERDS2TJ102	1/4W 1K	C845	ECFR1E104ZF5	25V 0.1U
R203	ERDS2TJ273	1/4W 27K	R893, 894	ERDS2TJ472	1/4W 4.7K	C851	ECEAOJU471	6.3V 470U
R301	ERDS2TJ182	1/4W 1.8K	R895, 896	ERDS2TJ471	1/4W 470	C852	ECEA1CKA100B	16V 10U
R302	ERDS2TJ823T	1/4W 82K	R897	ERDS2TJ103	1/4W 10K	C871, 872	ECEA1EKN3R3B	25V 3.3U
R303	ERDS2TJ104	1/4W 100K	R898	ERDS2TJ822	1/4W 8.2K	C873, 874	ECQB1H103JF3	50V 0.01U
R304	ERDS2TJ471	1/4W 470				C875-880	ECBT1C103NS5	16V 0.01U
R315	ERDS2TJ104	1/4W 100K			CAPACITORS	C881, 882	ECEA1AN101XB	10V 100U
R351	ERDS2TJ103	1/4W 10K	C1, 2	ECFTD103KXL	50V 0.01U	C891	ECEA1CKA101B	16V 100U
R352	ERDS2TJ104	1/4W 100K	C10	ECFR1E104ZF5	25V 0.1U	C892	ECBT1C103NS5	16V 0.01U
R353	ERDS2TJ123	1/4W 12K	C11	ECA1CM222B	16V 2200U Δ	C893, 894	ECEA1CKN220B	16V 22U
R354	ERDS2TJ104	1/4W 100K	C12	ECEA1CU102	16V 1000U Δ	C895	ECBT1C103NS5	16V 0.01U
R355, 356	ERDS2TJ333	1/4W 33K	C14, 15	ECEAOJKA470B	6.3V 47U			<SERVO P. C. B.>
R357	ERD25FJ6R8	1/4W 6.8 Δ	C16	ECEA1EU101	25V 100U			RESISTORS
R401	ERDS2TJ104	1/4W 100K	C17, 18	ECEA1HU101	50V 100U	R3501	482205024702	1/8W 4.7K [MB]
R411, 412	ERDS2TJ472	1/4W 4.7K	C19	ECEA1CKA101B	16V 100U	R3502	482205110104	1/8W 100K [MB]
R431, 432	ERDS2TJ223	1/4W 22K	C51	ECEA1AKA220B	10V 22U	R3505	482205110123	1/4W 12K [MB]
R433	ERDS2TJ104	1/4W 100K	C201, 202	ECBT1C103NS5	16V 0.01U	R3506	482205110101	1/8W 100 [MB]
R434	ERDS2TJ224T	1/4W 220K	C301	ECBT1C103NS5	16V 0.01U	R3507	482205120222	1/8W 2.2K [MB]
R435	ERDS2TJ104	1/4W 100K	C302	ECBT1H270J5	50V 27P	R3508	482205110243	1/4W 24K [MB]
R436	ERDS2TJ224T	1/4W 220K	C303, 304	ECFR1E104ZF5	25V 0.1U	R3509	482205110562	1/8W 5.6K [MB]
R437, 438	ERDS2TJ223	1/4W 22K	C305	ECBT1H102KB5	50V 1000P	R3510	482205110103	1/8W 10K [MB]
R601, 602	ERDS2TJ100	1/4W 10	C306	ECFR1E223KB	25V 0.022U	R3521	482205110221	1/8W 220 [MB]
R801-804	ERDS2TJ330	1/4W 33	C307	ECQV1H474JM3	50V 0.47U	R3522	482205210229	1/3W 22 [MB]
R805-808	ERDS2TJ433	1/4W 43K	C308	ECBT1H102KB5	50V 1000P	R3523	482205210129	1/3W 12 [MB]
R809-812	ERDS2TJ563	1/4W 56K	C309	ECFR1E104ZF5	25V 0.1U	R3524	482205110101	1/8W 100 [MB]
R815, 816	ERDS2TJ472	1/4W 4.7K	C312	ECBT1C103NS5	16V 0.01U	R3530	482205110473	1/4W 47K [MB]
R817, 818	ERDS2TJ221	1/4W 220	C351	ECBT1H102KB5	50V 1000P	R3531	482205110153	1/4W 15K [MB]
R819, 820	ERDS2TJ511	1/4W 510	C401	ECFR1E104ZF5	25V 0.1U	R3533	482205110152	1/4W 5.1K [MB]
R821, 822	ERDS2TJ473	1/4W 47K	C402	ECEAOJKA470B	6.3V 47U	R3534	482205110224	1/8W 220K [MB]
R823, 824	ERDS2TJ331	1/4W 330	C404	ECFR1E104ZF5	25V 0.1U	R3535	482205021203	3/5W 12K [MB]
R825, 826	ERDS2TJ102	1/4W 1K	C405	ECEAOJKA470B	6.3V 47U	R3540	482205024708	3/5W 4.7 [MB]
R831, 832	ERDS2TJ470	1/4W 47	C406	ECBT1H102KB5	50V 1000P	R3541	482205110682	1/4W 6.8K [MB]
R833	ERDS2TJ472	1/4W 4.7K	C651, 652	ECBT1H102KB5	50V 1000P	R3542	482205110829	1/8W 82 [MB]
R834	ERDS2TJ102	1/4W 1K	C801-804	ECQV1H683JM3	50V 0.068U	R3543	482205110682	1/8W 6.8K [MB]
			C805-808	ECBT1H121KB5	50V 120P			

Ref. No.	Part No.	Values & Remarks	Ref. No.	Part No.	Values & Remarks
R3550	482205110182	1/4W 1.8K [MB]	C2560	482212231784	50V 4700P [MB]
R3555	482205110183	1/4W 18K [MB]	C2561	482212151252	63V 0.47U [MB]
R3560	482211191494	1/8W 11K [MB]	C2562	532212142661	63V 0.33U [MB]
R3561	482205110154	1/4W 150K [MB]	C2563	482212233496	63V 0.1U [MB]
R3562	482205021204	3/5W 120K [MB]	C2625	482212231765	50V 100P [MB]
R3563	482205110563	1/8W 56K [MB]			
R3564	482211191495	1/8W 160K [MB]			
R3565	482205210279	1/3W 27 [MB]			
R3566	482205110229	1/8W 22 [MB]			
R3567	482205028203	1/8W 82K [MB]			
R3568	482205110474	1/4W 470K [MB]			
		CHIP JUMPER (S)			
R3801	482205110008	JUMPER [MB]			
R3802	482205110008	JUMPER [MB]			
		CAPACITORS			

■ PACKAGING



Printed in Germany
 MBV F9302YU/FF/TW