

SCHEMATIC DIAGRAM-1

NOTE:

The number which noted at the connectors on the schematic diagram as

"SCHEMATIC DIAGRAM-1" or "SCHEMATIC DIAGRAM-2"

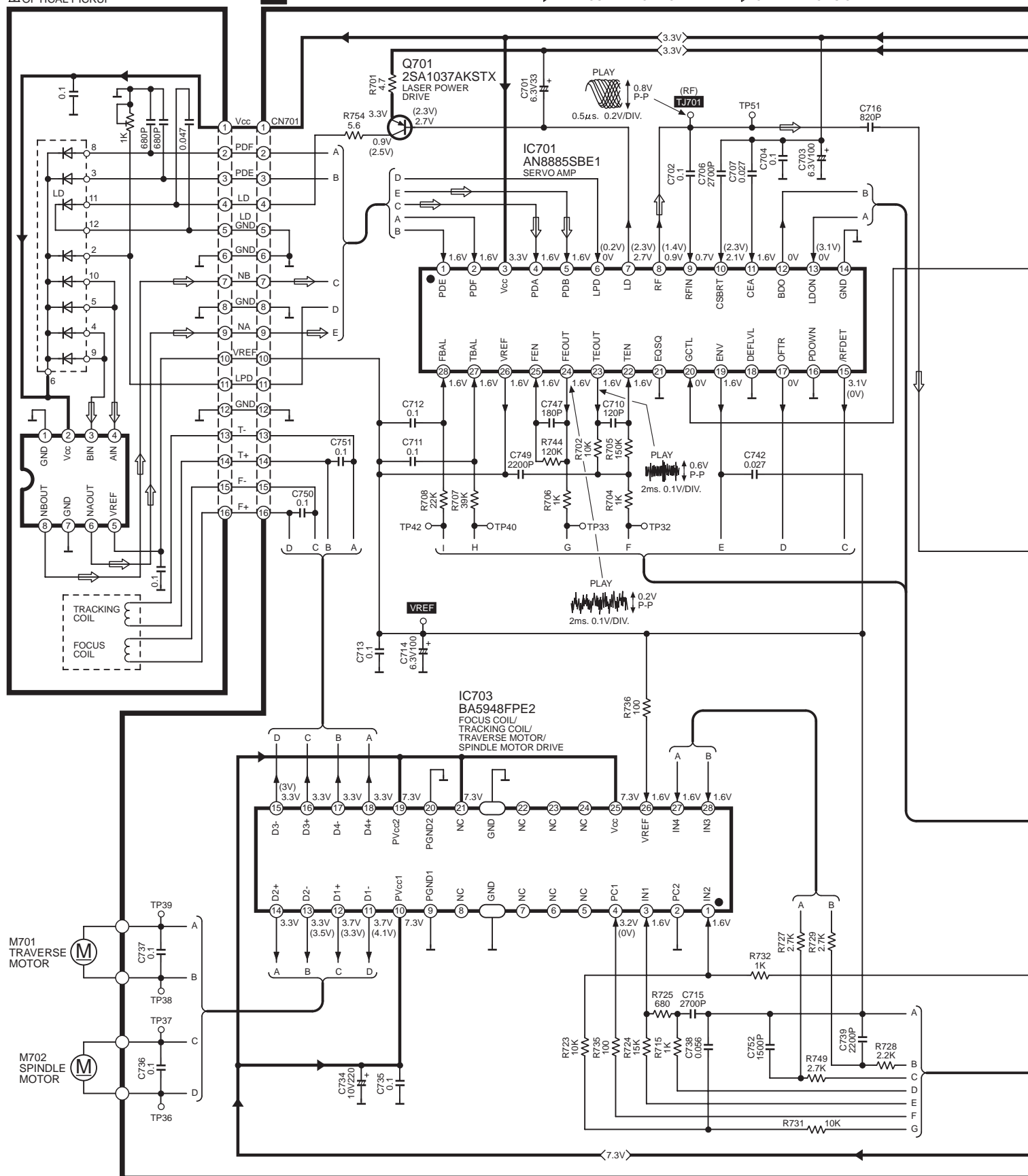
indicates the schematic diagram serial number located on the left corner in the schematic diagram.

OPTICAL PICKUP

A CD SERVO CIRCUIT

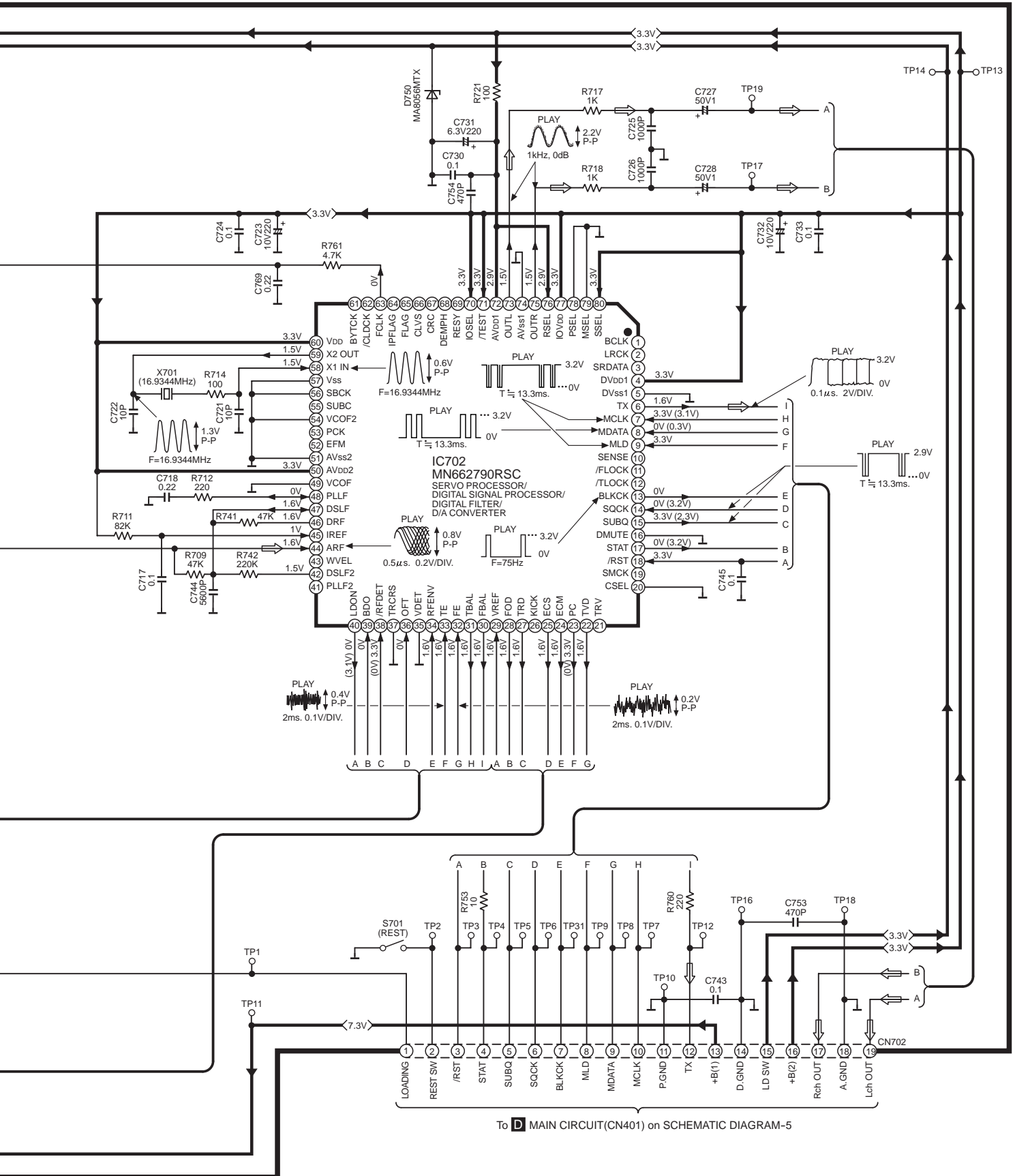
→ POSITIVE VOLTAGE LINE

⇨ CD PLAYBACK SIGNAL LINE



SCHEMATIC DIAGRAM-2

→ : POSITIVE VOLTAGE LINE ⇨ : CD PLAYBACK SIGNAL LINE

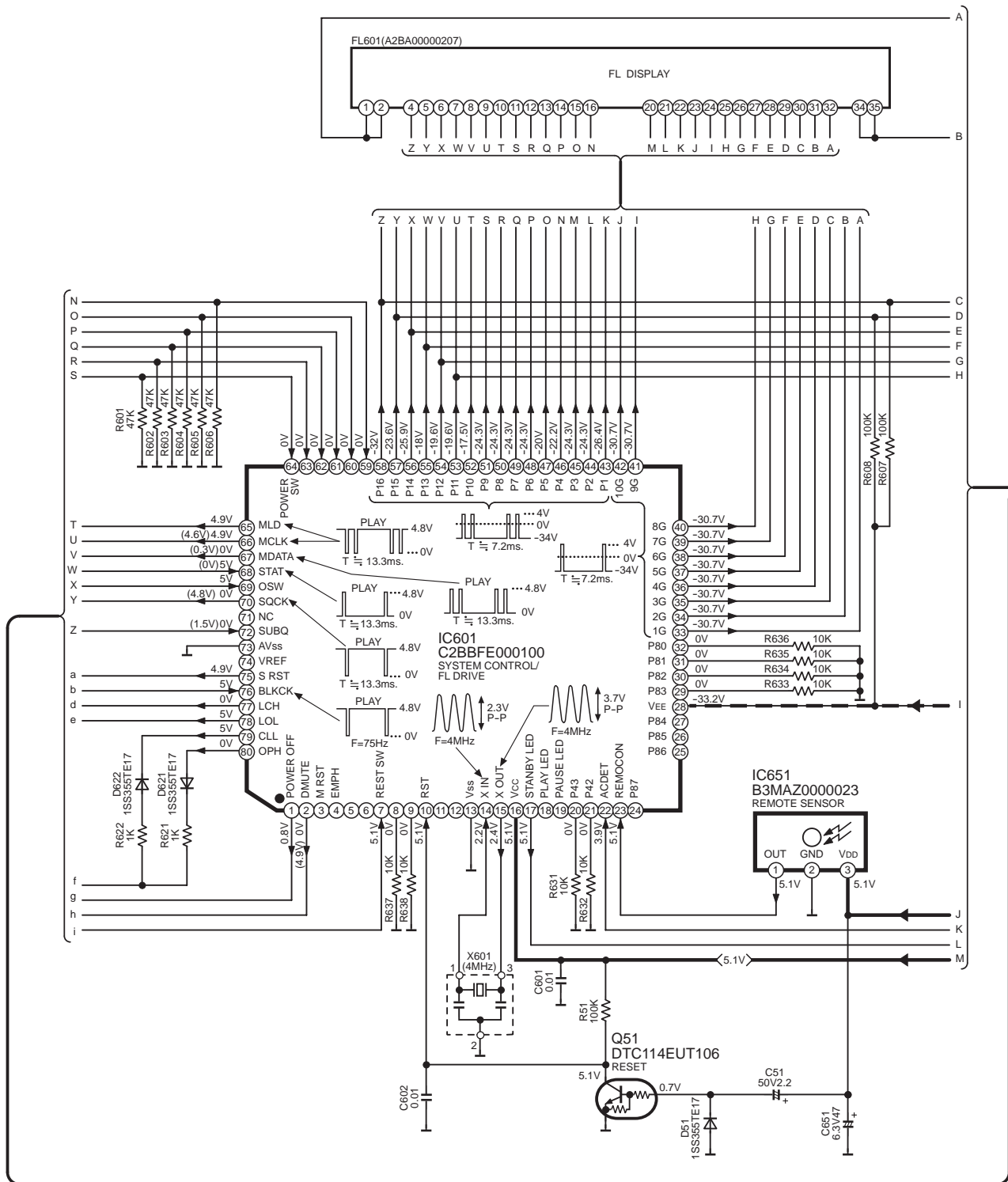


To **D** MAIN CIRCUIT(CN401) on SCHEMATIC DIAGRAM-5

SCHEMATIC DIAGRAM-3

B FL CIRCUIT

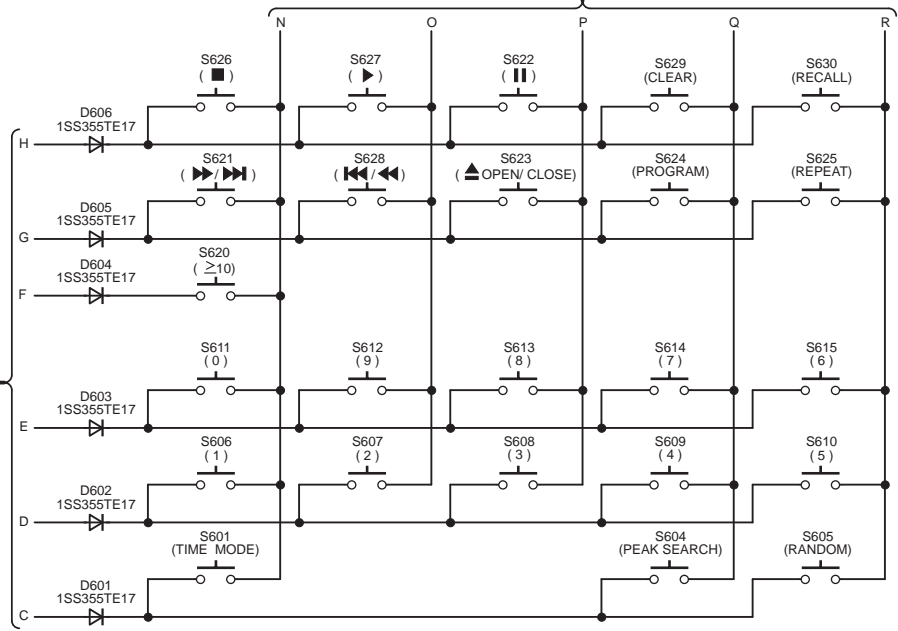
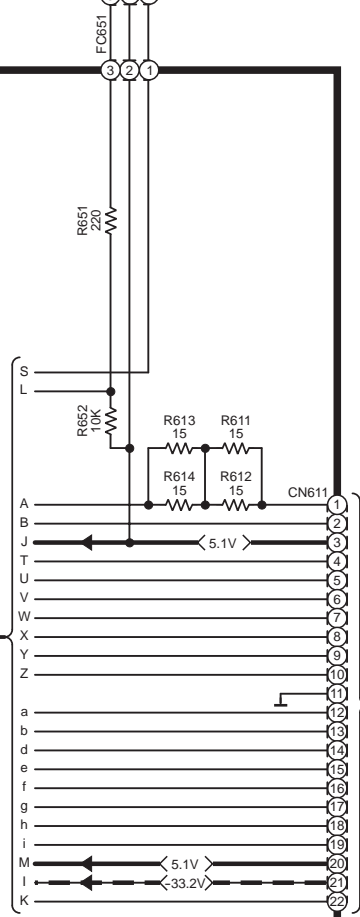
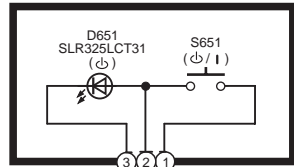
➔ : POSITIVE VOLTAGE LINE ➔ - : NEGATIVE VOLTAGE LINE



SCHEMATIC DIAGRAM-4

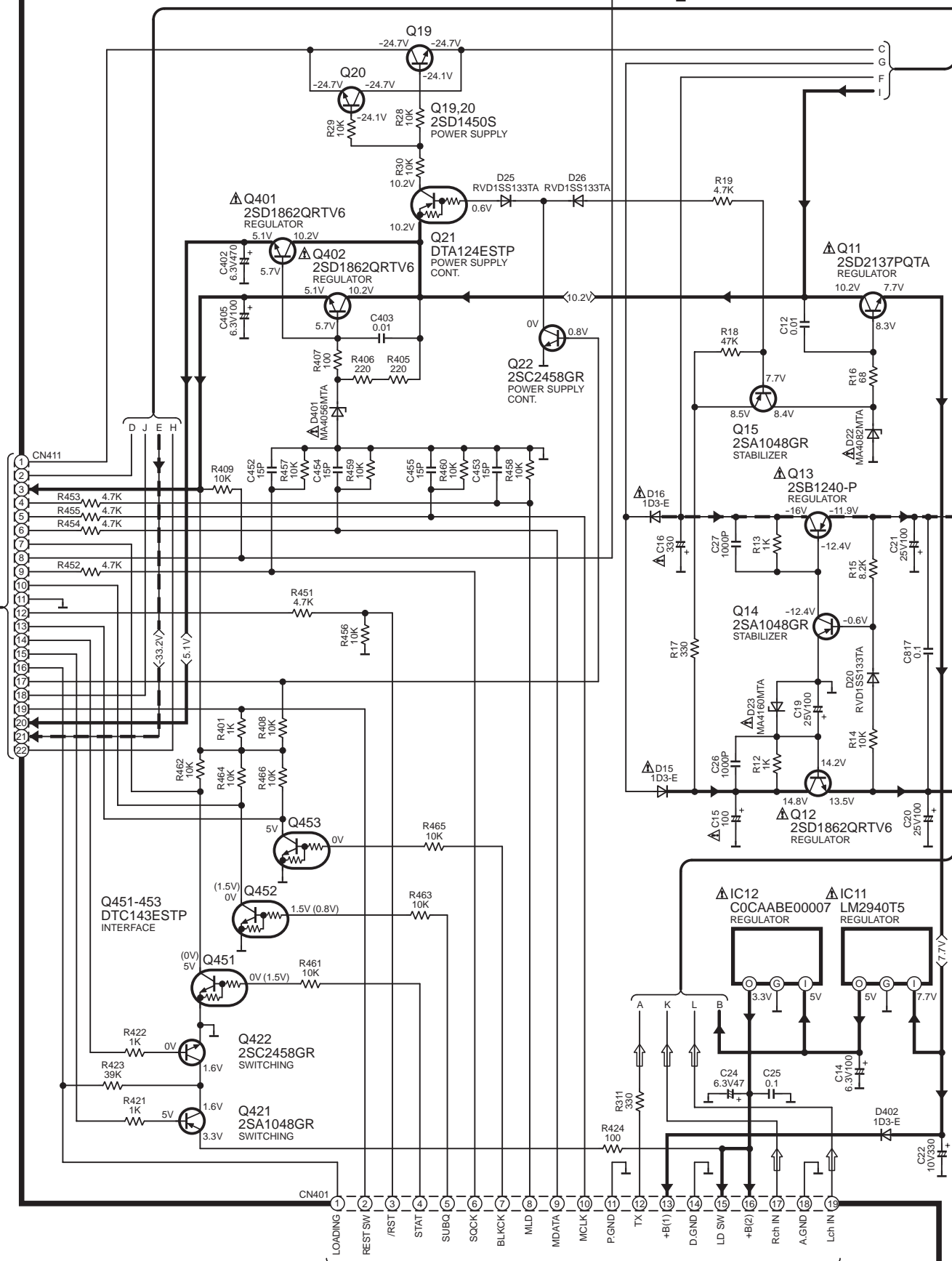
→ : POSITIVE VOLTAGE LINE
 -→ : NEGATIVE VOLTAGE LINE

C POWER SW CIRCUIT



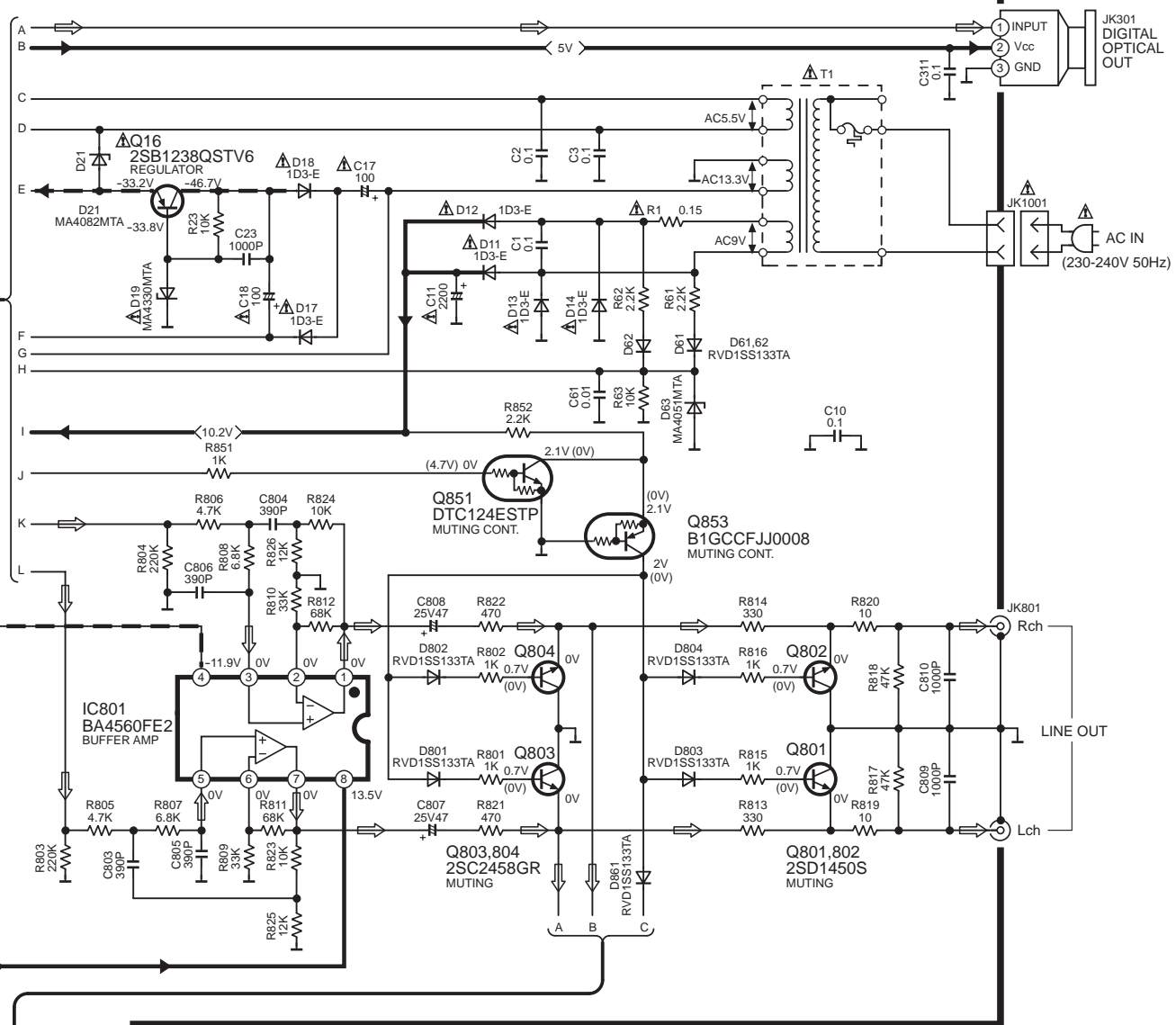
SCHEMATIC DIAGRAM-5

D MAIN CIRCUIT



SCHEMATIC DIAGRAM -6

→ : POSITIVE VOLTAGE LINE - - - - - : NEGATIVE VOLTAGE LINE ⇨ : CD PLAYBACK SIGNAL LINE



E HEADPHONE CIRCUIT

