

Service Manual

Compact Disc Player

Compact Disc Player

SL-PG570A

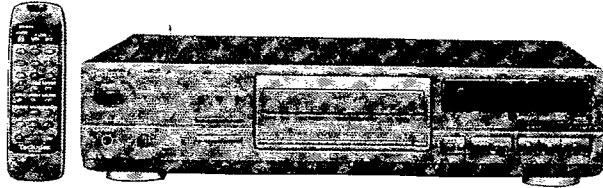


Colour

(K) : Black

Areas

Suffix for Model No.	Area	Colour
(E)	Europe	(K)
(EB)	Britain	
(EG)	Germany and Italy	
(ER)	Hungary	
(EZ)	Poland and Russia	



RAE1100Z MECHANISM SERIES

Specifications

■ Audio

No. of channels	2 (left and right, stereo)
Frequency response	2 – 20,000 Hz, ± 0.5 dB
Output voltage	2 V (at 0 dB)
Dynamic range	96 dB
S/N	100 dB
Harmonic distortion	0.0035% (1 kHz, 0 dB)
Total harmonic distortion	0.004% (1 kHz, 0 dB)
Wow and flutter	Below measurable limit
DA converter	MASH (1 bit)
Output impedance	1 kΩ
Load impedance	More than 10 kΩ
Headphone output level	15 mW max. 32 Ω (adjustable)

■ Pickup

Wavelength	780 nm
Laser Power	No hazardous radiation is emitted (with safety protection)

■ General

Power consumption	13 W
Power supply	AC 50/60 Hz, 230 – 240 V
Dimensions (W × H × D)	430 × 103 × 286 mm
Weight	3.5 kg

Notes:

Specifications are subject to change without notice.
Weight and dimensions are approximate.

This apparatus was produced to BS 800.

*

- MASH is a trademark of NTT.

⚠ WARNING

This service information is designed for experienced repair technicians only and is not designed for use by the general public. It does not contain warnings or cautions to advise non-technical individuals of potential dangers in attempting to service a product. Products powered by electricity should be serviced or repaired only by experienced professional technicians. Any attempt to service or repair the product or products dealt with in this service information by anyone else could result in serious injury or death.

Technics®

© 1995 Matsushita Electric Industrial Co., Ltd.
All rights reserved. Unauthorized copying
and distribution is a violation of law.

■ Contents

	Page		Page
● Handling Precautions for Traverse Deck	2	● Schematic Diagram	15~20
● Precaution of Laser Diode	2, 3	● Printed Circuit Board Diagram	21, 22
● Accessories	3	● Wiring Connection Diagram	23
● Connections	3	● Block Diagram	24, 25
● Caution for AC Mains Lead	4	● Troubleshooting Guide	26, 27
● Location of Controls	5	● Function of IC Terminals	28~30
● Basic Operating Procedure	6	● Replacement Parts List	31~37
● Operation Check and		● Cabinet Parts Location	34, 35
Main Component Replacement Procedures	7~13	● Loading Unit Parts Location	36
● Automatic Adjustment Results Display Function	14	● Packaging	37

■ Handling Precautions for Traverse Deck

The laser diode in the traverse deck (optical pickup) may break down due to potential difference caused by static electricity of clothes or human body. So, be careful of electrostatic breakdown during repair of the traverse deck (optical pickup).

● Handling of traverse deck (optical pickup)

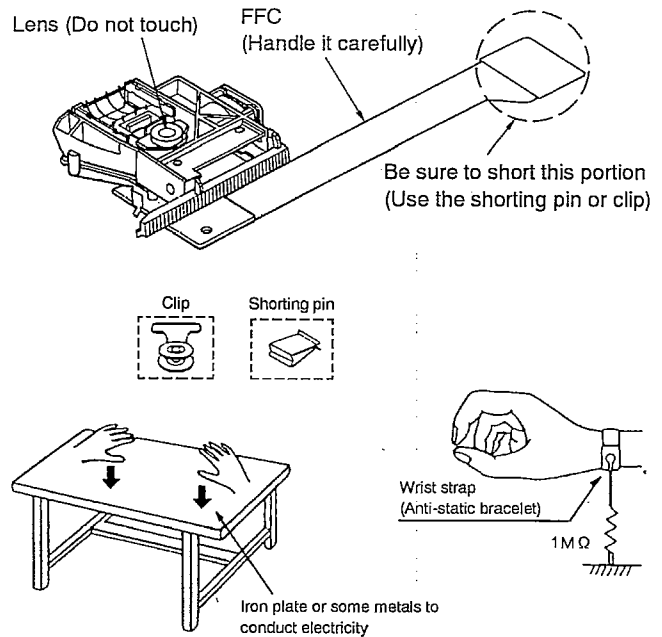
1. Do not subject the traverse deck (optical pickup) to static electricity as it is extremely sensitive to electrical shock.
2. To prevent the breakdown of the laser diode, an anti-static shorting pin is inserted into the flexible board (FFC board). When removing or connecting the short pin, finish the job in as short time as possible.
3. Take care not to apply excessive stress to the flexible board (FFC board).
4. Do not turn the variable resistor (laser power adjustment). It has already been adjusted.

● Grounding for electrostatic breakdown prevention

1. Human body grounding
Use the anti-static wrist strap to discharge the static electricity from your body.
2. Work table grounding
Put a conductive material (sheet) or steel sheet on the area where the traverse deck (optical pickup) is placed, and ground the sheet.

Caution:

The static electricity of your clothes will not be grounded through the wrist strap. So, take care not to let your clothes touch the traverse deck (optical pickup).



■ Precaution of Laser Diode

CAUTION: This product utilizes a laser diode with the unit turned "on", invisible laser radiation is emitted from the pick up lens.
Wave length: 780 nm
Maximum output radiation power from pick up: 100 μ W/VDE

Laser radiation from the pick up unit is safety level, but be sure the followings:

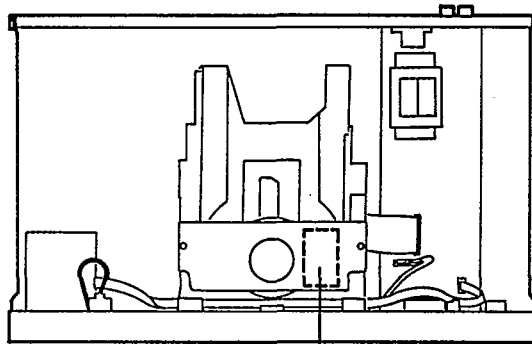
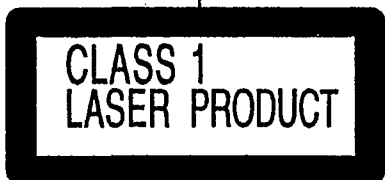
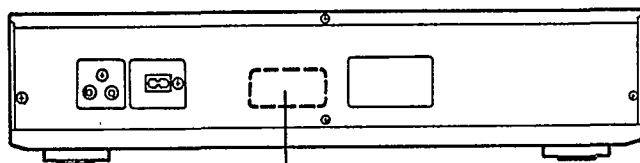
1. Do not disassemble the pick up unit, since radiation from exposed laser diode is dangerous.
2. Do not adjust the variable resistor on the pick up unit. It was already adjusted.
3. Do not look at the focus lens using optical instruments.
4. Recommend not to look at pick up lens for a long time.

ACHTUNG: Dieses produkt enthält eine laserdiode. Im eingeschalteten zustand wird unsichtbare laserstrahlung von der lasereinheit adgestrahlt.

Wellenlänge: 780 nm
Maximale strahlungsleistung der lasereinheit: 100 μ W/VDE

Die strahlung an der lasereinheit ist ungefährlich, wenn folgende punkte beachtet werden:

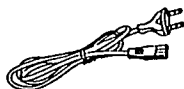
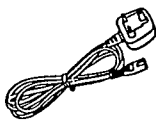
1. Die lasereinheit nicht zerlegen, da die strahlung an der freigelegten laserdiode gefährlich ist.
2. Den werkseitig justierten einstellregler der lasereinheit nicht verstellen.
3. Nicht mit optischen instrumenten in die fokussierlinse blicken.
4. Nicht über längere zeit in die fokussierlinse blicken.



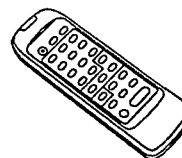
DANGER	INVISIBLE LASER RADIATION WHEN OPEN. AVOID DIRECT EXPOSURE TO BEAM.
ADVARSEL	USYNLIG LASERSTRÅLING VED ÅBNING. UNDGÅ UDRETTELSE FOR STRÅLING.
VARO!	AVATTAESSA JA SUJALUKITUS OHTETTAESSA OLET ALLTIENA NÄKYMÄTÖNÄ LASERSÄTELYLLE. ÄLÄ KATSO SÄTEESEEN.
VARNING	OSYNLIG LASERSTRÅLNING NÄR DENNA DEL ÄR ÖPPNAD OCH SPÄRREN ÄR URKOPPLAD. BETRÄKTA EJ STRÅLEN.
ADVARSEL	USYNLIG LASERSTRÅLING NÄR DEKSEL ÅPNES OG SIKKERHEDSGLÆS BRIVES. UNDGÅ EKSPONERING FOR STRÅLEN.
VORSICHT	UNSIICHTBARE LASERSTRÄHLUNG WEHN ABDECKUNG GEÖFFNET. NICHT DEM STRAHL AUSSETZEN. RÜLS0101-1

Accessories

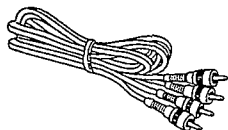
AC mains lead 1 pc.
 (For United Kingdom: RJA0044-C) (For others: RJA0043-C)



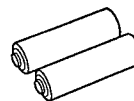
Remote control 1 pc.
 (EUR643900)



Stereo connection cable 1 pc.
 (SJP2276)



Battery for remote control 2 pcs.
 (UM-4, AAA, R03)

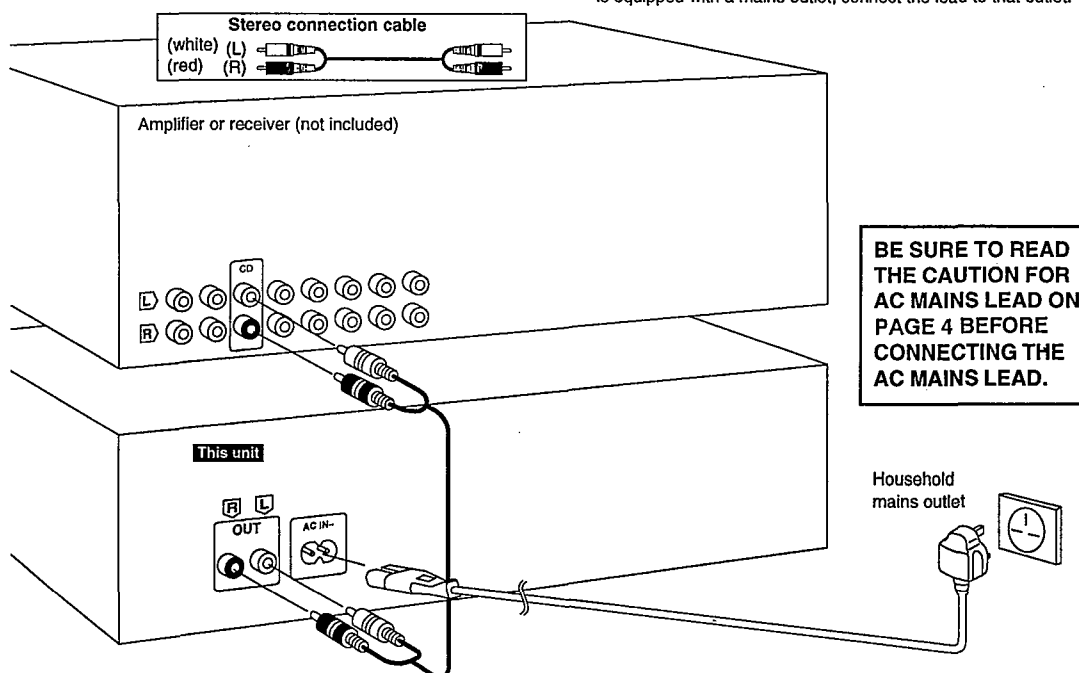


Connections

Before making connections, be sure that the power of this unit and all other system components is first turned off.

Note

Although the figure below shows the AC mains lead being connected to a household mains outlet, if the amplifier (or receiver) is equipped with a mains outlet, connect the lead to that outlet.



BE SURE TO READ THE CAUTION FOR AC MAINS LEAD ON PAGE 4 BEFORE CONNECTING THE AC MAINS LEAD.

■ Caution for AC Mains Lead (For United Kingdom)

("EB" area code model only)

For your safety, please read the following text carefully.

This appliance is supplied with a moulded three pin mains plug for your safety and convenience.

A 5-ampere fuse is fitted in this plug.

Should the fuse need to be replaced please ensure that the replacement fuse has a rating of 5-ampere and that it is approved by ASTA or BSI to BS1362.

Check for the ASTA mark  or the BSI mark  on the body of the fuse.

If the plug contains a removable fuse cover you must ensure that it is refitted when the fuse is replaced.

If you lose the fuse cover the plug must not be used until a replacement cover is obtained.

A replacement fuse cover can be purchased from your local dealer.

CAUTION!

IF THE FITTED MOULDED PLUG IS UNSUITABLE FOR THE SOCKET OUTLET IN YOUR HOME THEN THE FUSE SHOULD BE REMOVED AND THE PLUG CUT OFF AND DISPOSED OF SAFELY.

THERE IS A DANGER OF SEVERE ELECTRICAL SHOCK IF THE CUT OFF PLUG IS INSERTED INTO ANY 13-AMPERE SOCKET.

If a new plug is to be fitted please observe the wiring code as shown below.

If in any doubt please consult a qualified electrician.

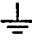
IMPORTANT

If the socket outlets in the home are not suitable for the plug supplied with this appliance it should be cut off and an appropriate three pin plug fitted.

The wires in this mains lead are coloured in accordance with the following code:

Blue: Neutral

Brown: Live

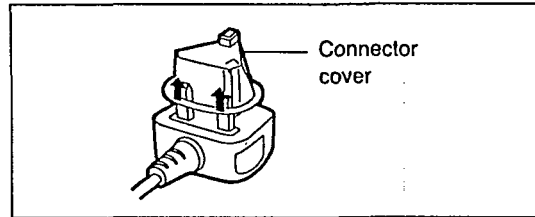
Do not connect either wire to the earth terminal in the plug which is marked by the letter "E" or by the safety earth symbol  or coloured green or green-and-yellow.

As the colours of the wires in the mains lead of this apparatus may not correspond with the coloured markings identifying the terminals in your plug proceed as follows. The wire which is coloured BLUE must be connected to the terminal which is marked with the letter N or coloured BLACK.

The wire which is coloured BROWN must be connected to the terminal which is marked with the letter L or coloured RED.

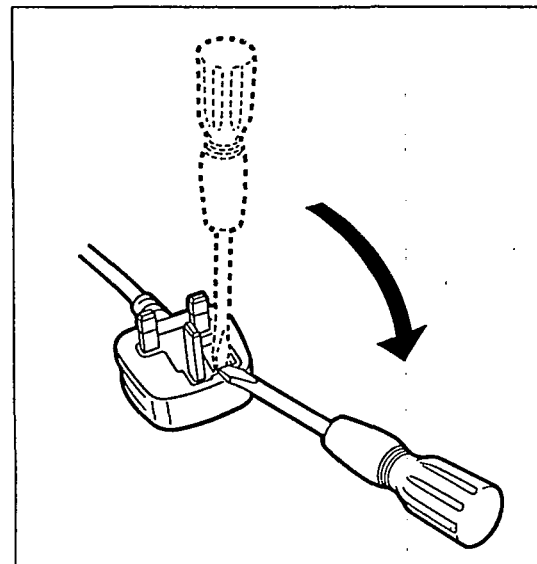
Before use

Remove the connector cover as follows.

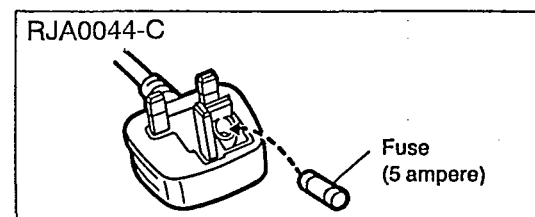


How to replace the fuse

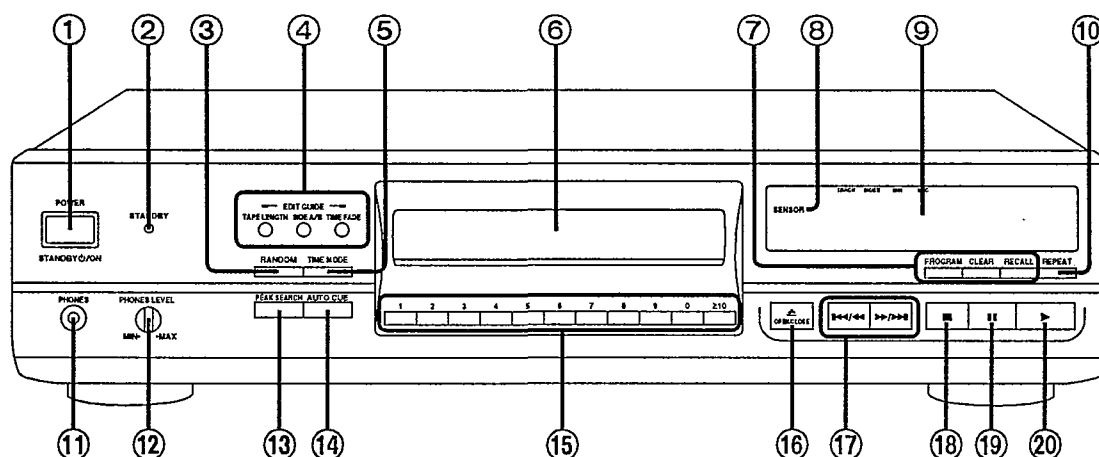
1. Open the fuse cover with a screwdriver.



2. Replace the fuse and close or attach the fuse cover.



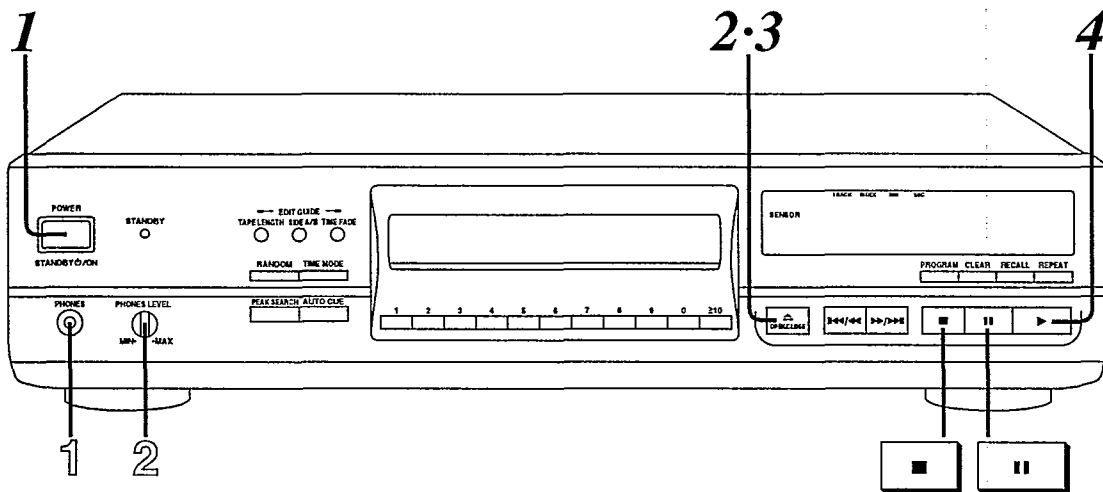
■ Location of Controls



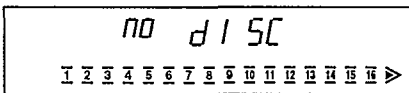
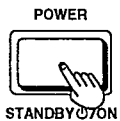
No.	Name
①	Power “STANDBY ON/OFF” switch (POWER, STANDBY ON/OFF) Press to switch the unit from on to standby mode or vice versa. In standby mode, the unit is still consuming a small amount of power.
②	Standby indicator (STANDBY) When the unit is connected to the AC mains supply, this indicator lights up in standby mode and goes out when the unit is turned on.
③	Random play button (RANDOM)
④	CD edit record buttons (EDIT GUIDE) <ul style="list-style-type: none"> •Tape length button (TAPE LENGTH) •Tape side select button (SIDE A/B) •Time fade button (TIME FADE)
⑤	Time mode select button (TIME MODE)
⑥	Disc tray
⑦	Program play buttons <ul style="list-style-type: none"> •Program button (PROGRAM) •Clear button (CLEAR) •Recall button (RECALL)
⑧	Remote control signal sensor (SENSOR)
⑨	Display panel
⑩	Repeat button (REPEAT)

No.	Name
⑪	Headphones jack (PHONES) (ϕ 6.3, 32 Ω)
⑫	Headphones volume level knob (PHONES LEVEL)
⑬	Peak search button (PEAK SEARCH)
⑭	Auto cue button (AUTO CUE)
⑮	Numeric buttons (1–9, 0, ≥10)
⑯	Disc tray open/close button (▲ OPEN/CLOSE)
⑰	Skip/Search buttons (◀/▶, ⏪/⏩)
⑱	Stop button (■)
⑲	Pause button ()
⑳	Play button (▶)

Basic Operating Procedure

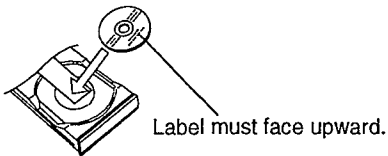


1 Press **POWER** (Power goes on).



- This indicates that a CD has not been installed.
- If a CD is already in the disc tray, it automatically begins playing from the first track.

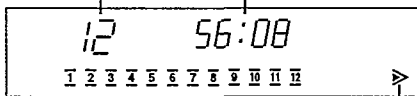
2 Press **▲ OPEN/CLOSE** to open the tray and insert a disc.



3 Press **▲ OPEN/CLOSE** to close the tray.

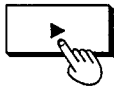


Total number of tracks Total playing time



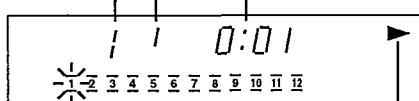
Displayed if there are 17 or more tracks on the disc

4 Press **▶ (Play begins)**. Play stops automatically after all tracks have been played.



Index number
(If there is none, "I" is displayed.)

Track currently playing Elapsed time



Illuminates.

To stop the disc play:

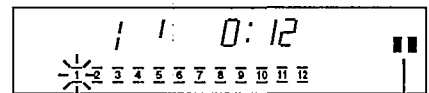


Press **■**.

To temporarily stop the disc play:



Press **⏸**.



Illuminates.

To continue playback, press **▶**.

Notes

- The displayed total playing time includes the time between tracks. For this reason, the time may be several seconds longer than that which appears on song cards and the like.
- When you use the timer with other unit, be sure to turn this unit on.

For your reference:

- If you skip step 3 and press **▶**, the tray automatically closes and play begins from the first track.

To listen with headphones

1

PHONES



Connect headphones (not included).

- Lower the volume before connecting.
- Plug type: Large stereo type

2

PHONES LEVEL



Adjust the volume with the PHONES LEVEL.

- To make louder: Turn toward the right.
- To make lower: Turn toward the left.

Note

Avoid listening for prolonged periods of time to prevent hearing damage.

■ Operation Check and Main Component Replacement Procedures

Warning: This product uses a laser diode. Refer to caution statements on page 2.

ACHTUNG: • Die lasereinheit nicht zerlegen.

• Die lasereinheit darf nur gegen eine vom hersteller speziferte einheit ausgetauscht werden.

“ATTENTION SERVICER” Some chassis components may have sharp edges. Be careful when disassembling and servicing.

NOTE

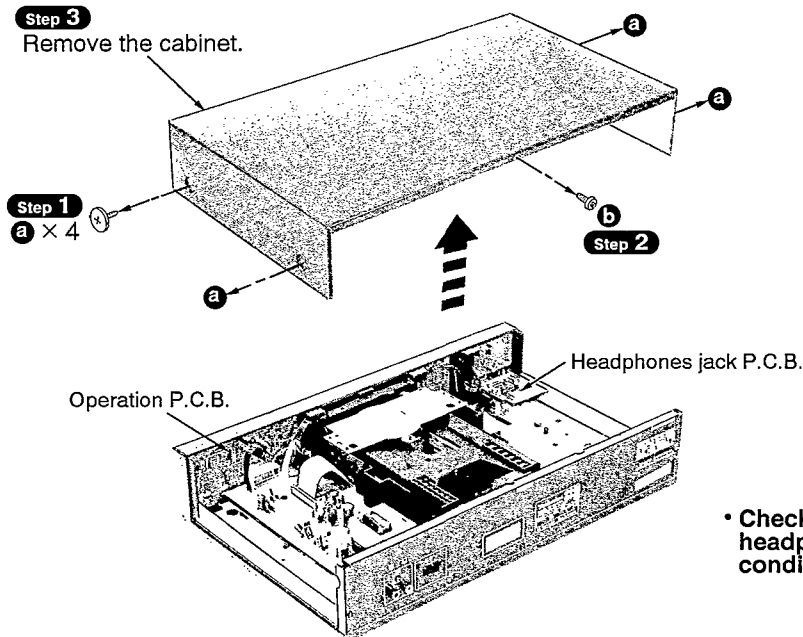
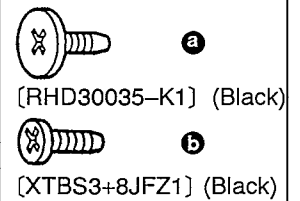
1. This section describes procedures for checking the operation of the major printed circuit boards and replacing the main components.
2. For reassembly after operation checks or replacement, reverse the respective procedures. Special reassembly procedures are described only when required.
3. Select items from the following index when checks or replacement are required.
4. Illustrated screws are equivalent to actual size.
5. Refer the parts No. on the page of “Main component Replacement Procedures”, if necessary.

● Contents

• Checking Procedure for each P.C.B.	Page
1. Checking for the main P.C.B., operation P.C.B. and headphones jack P.C.B..	7
2. Checking for the servo P.C.B..	9
• Main Component Replacement Procedures	
1. Replacement for the traverse unit ass'y.	10
2. Replacement for the loading belt and loading motor.	13

■ Checking Procedure for each P.C.B.

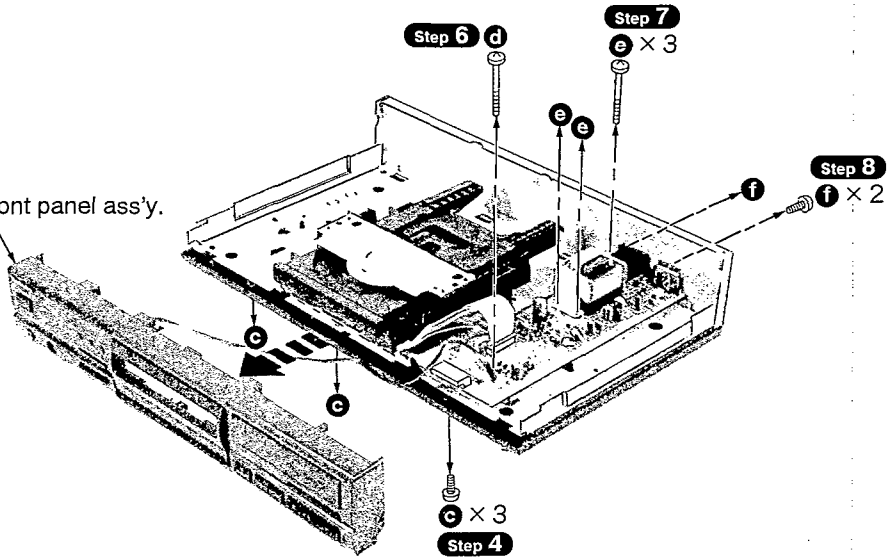
1. Checking for the main P.C.B., operation P.C.B. and headphones jack P.C.B.



• Check the operation P.C.B. and headphones jack P.C.B. in this condition.

Step 5

Pull out the front panel ass'y.



Step 12

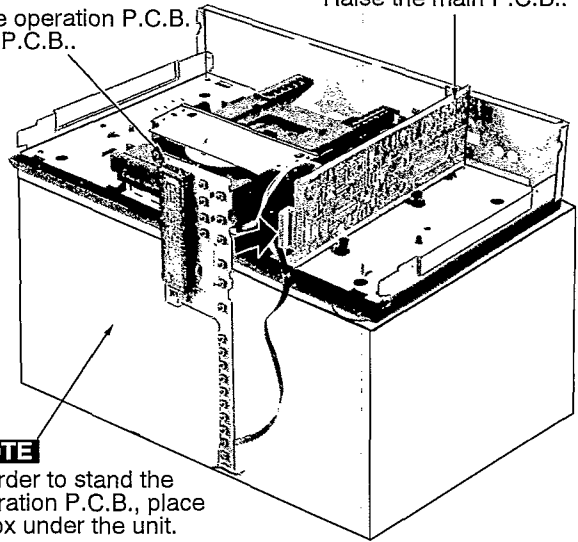
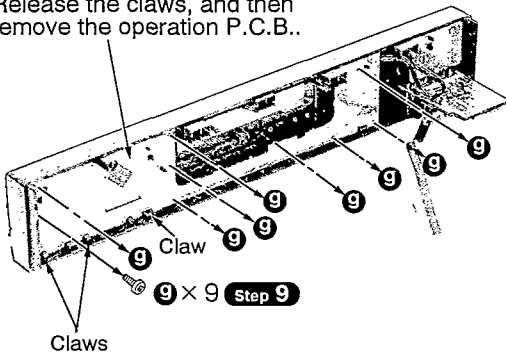
Reinstall the operation P.C.B. to the main P.C.B..

Step 11

Raise the main P.C.B..

Step 10

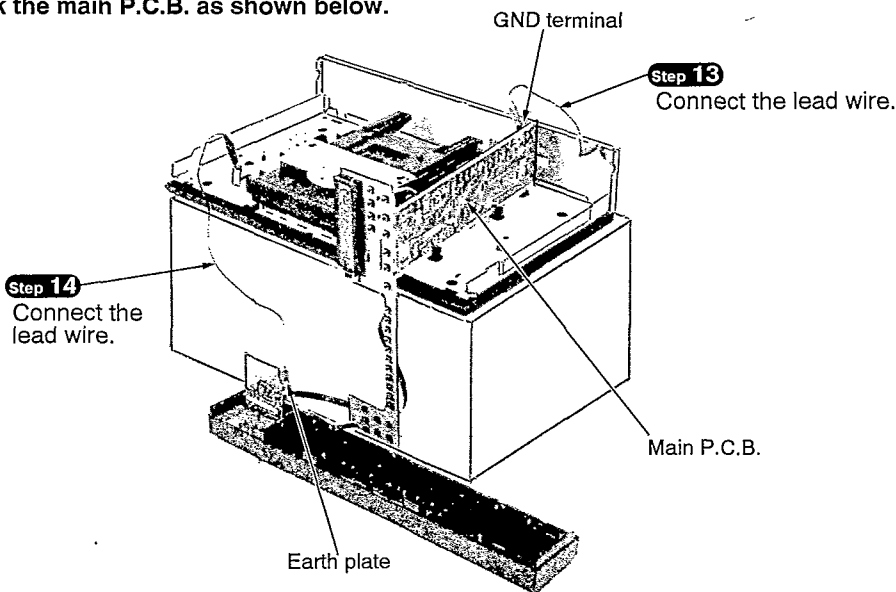
Release the claws, and then remove the operation P.C.B..



NOTE

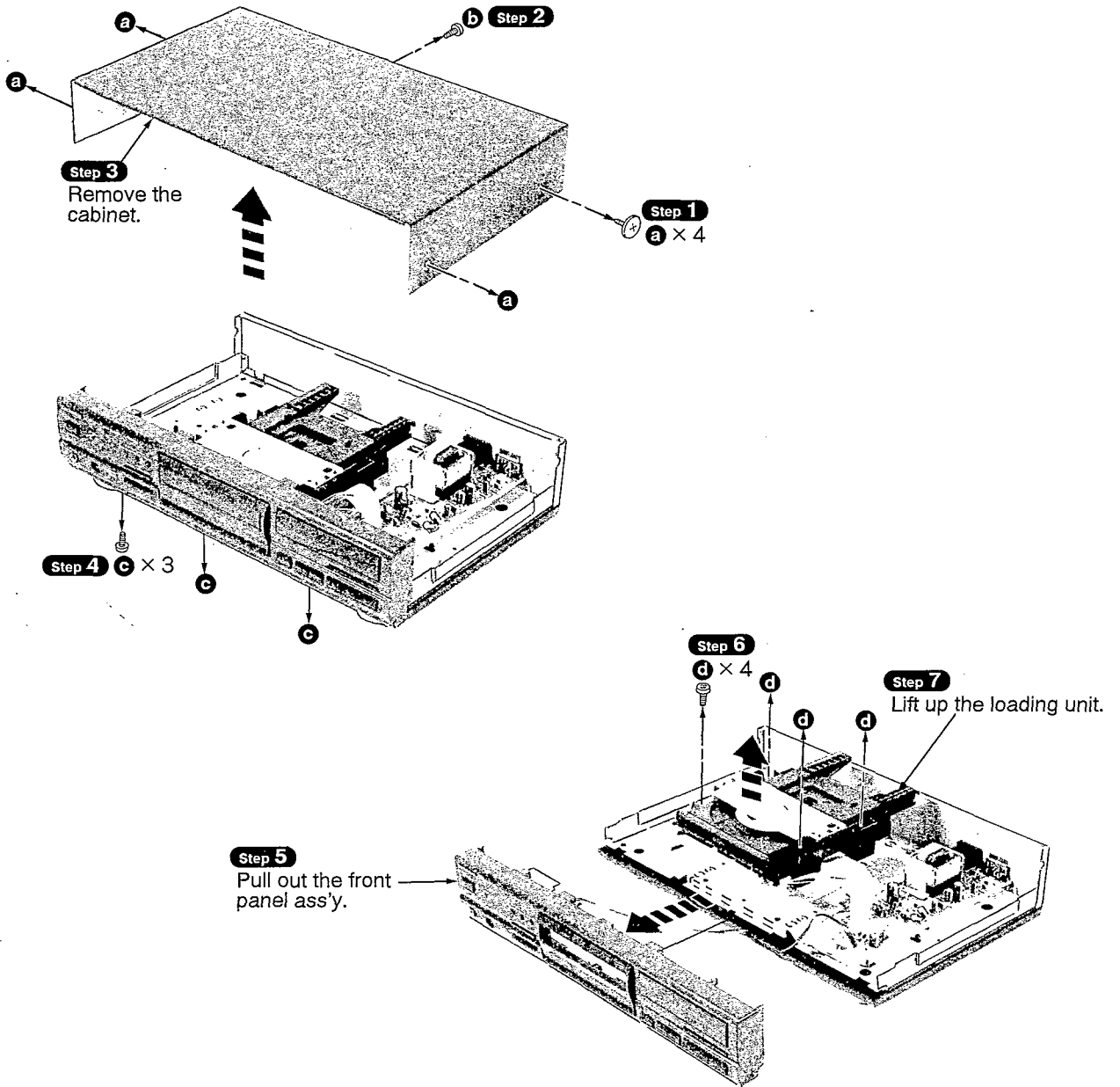
In order to stand the operation P.C.B., place a box under the unit.

• Check the main P.C.B. as shown below.

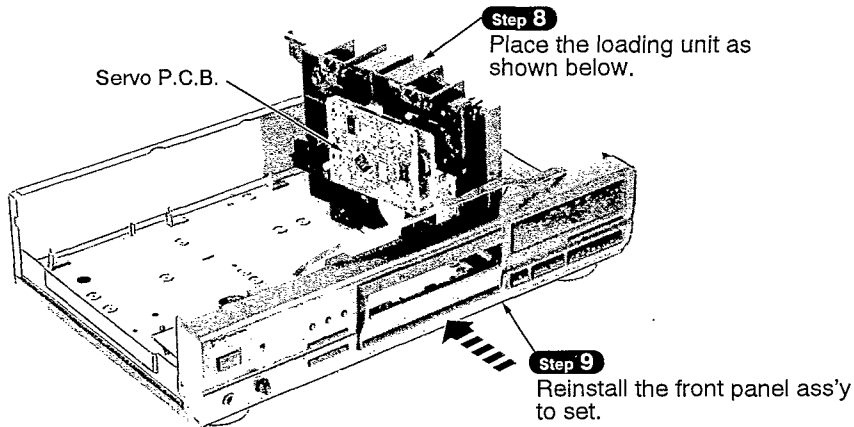


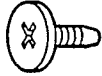


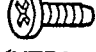
- c**
[XTB3+10JFZ] (Black)
- d**
[XTB3+20JFZ] (Black)
- e**
[RHD30053]
- f**
[XTBS3+8JFZ1] (Black)
- g**
[RHD26021]

2. Checking for the servo P.C.B.



• Check the servo P.C.B. as shown below.



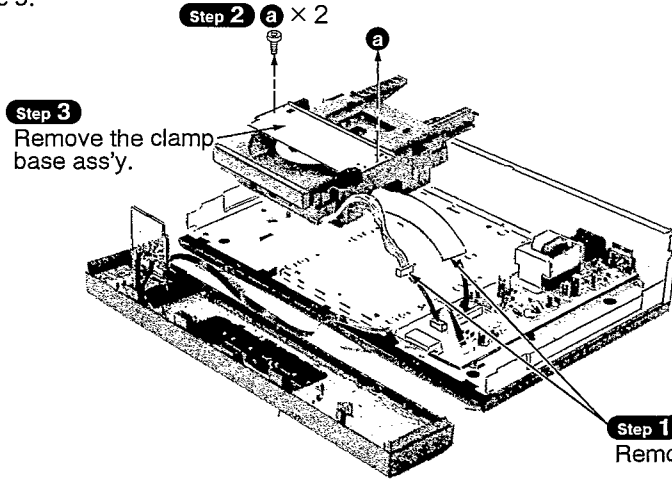
- | | |
|---|----------|
|  | a |
| [RHD30035-K1] (Black) | |
|  | b |
| [XTBS3+8JFZ1] (Black) | |
|  | c |
| [XTB3+10JFZ] (Black) | |
|  | d |
| [XTB3+8JFZ] (Black) | |

Main Component Replacement Procedures

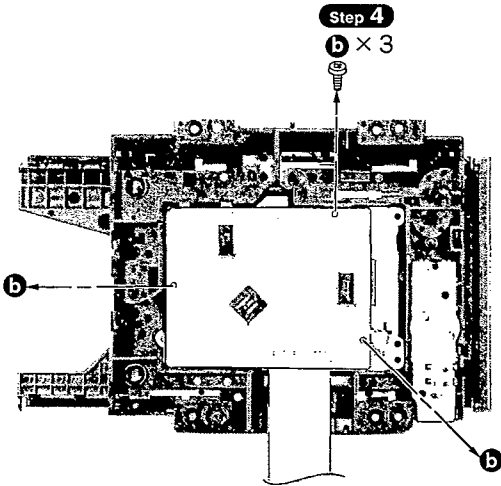
1. Replacement for the traverse unit ass'y

• Follow the **Step 1** - **Step 7** of item 2 in checking procedure for each P.C.B. on page 9.

- a**
[XTB3+8JFZ] (Black)
- b**
[XTBS26+8J]

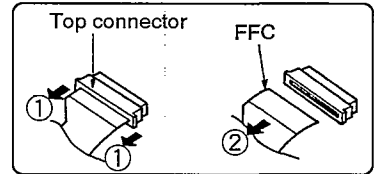


Step 3
Remove the clamp base ass'y.



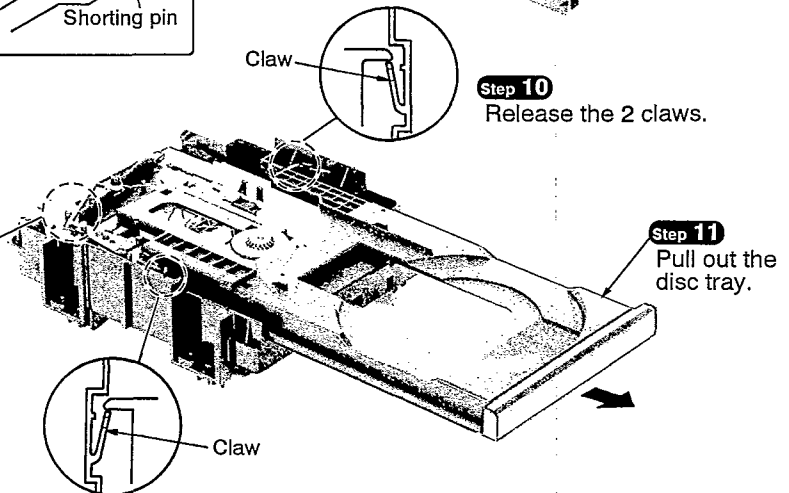
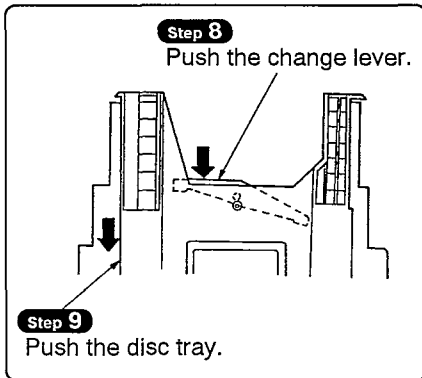
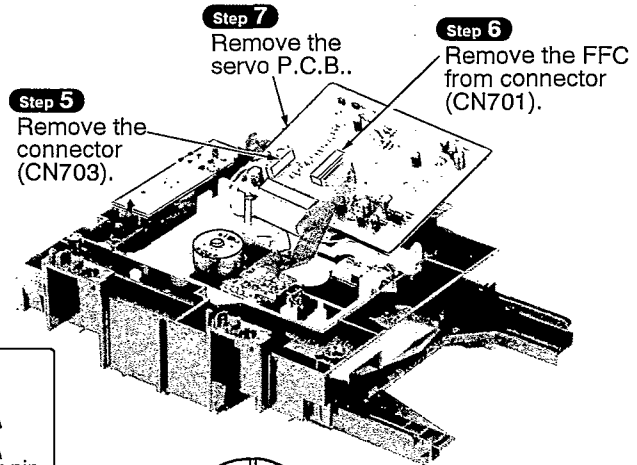
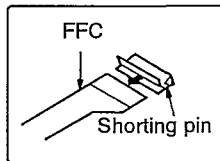
Removal of the FFC

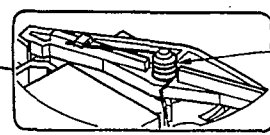
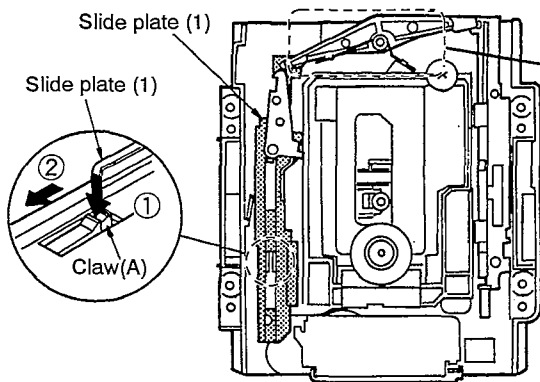
• Push the top of the connector in the direction of arrow ①, and then pull out the FFC in the direction of arrow ②.



NOTE

Insert a shorting pin into the traverse unit FFC. (Refer to Handling Precautions for Traverse Deck on page 2.)

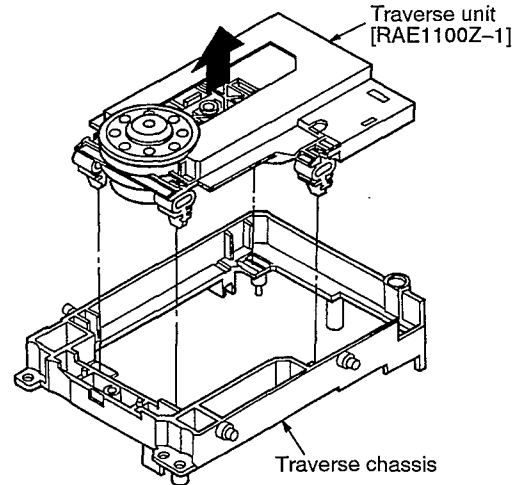
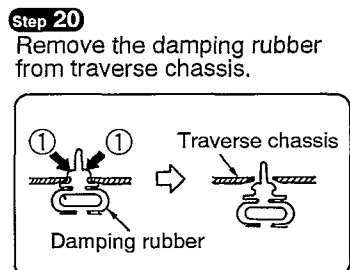
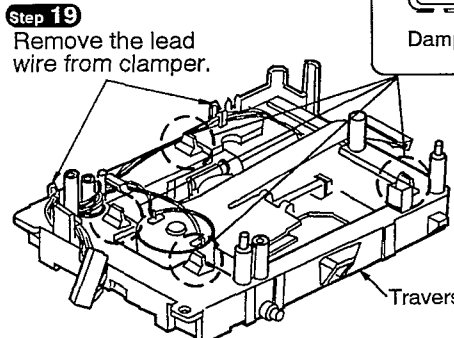
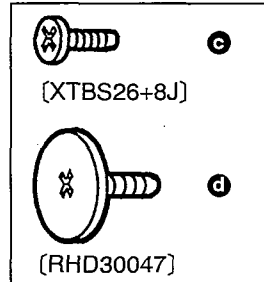
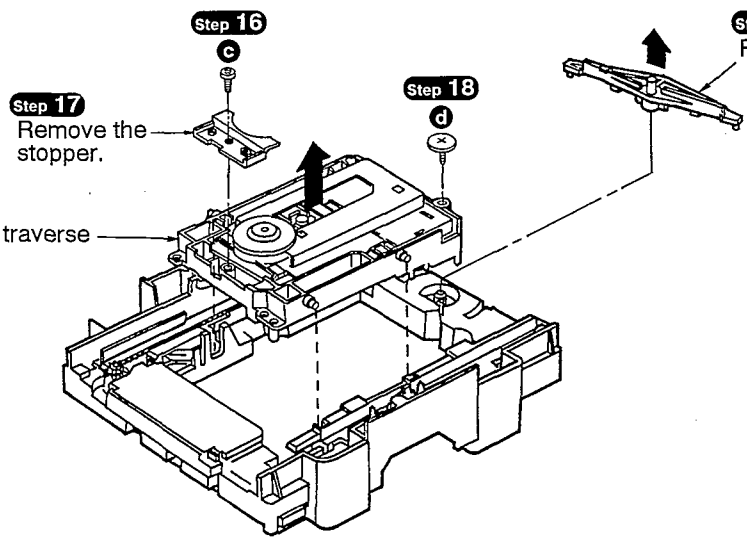




Step 12
Remove the spring.

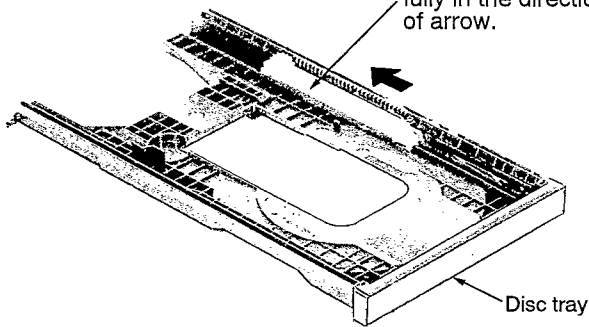
NOTE
Be careful not to damage the claw (A) because the claw (A) is breakable.

Step 13
Push the claw (A) in the direction of arrow ①, and then move the side plate (1) in the direction of arrow ②.

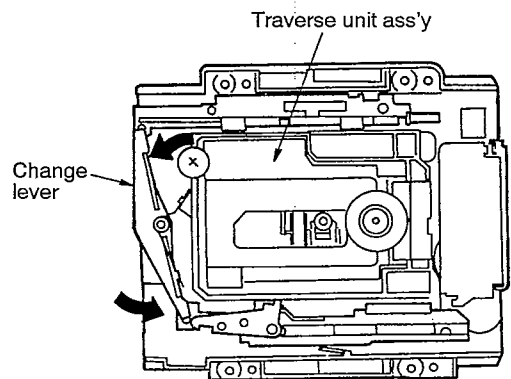


Installation of the disc tray after replacement

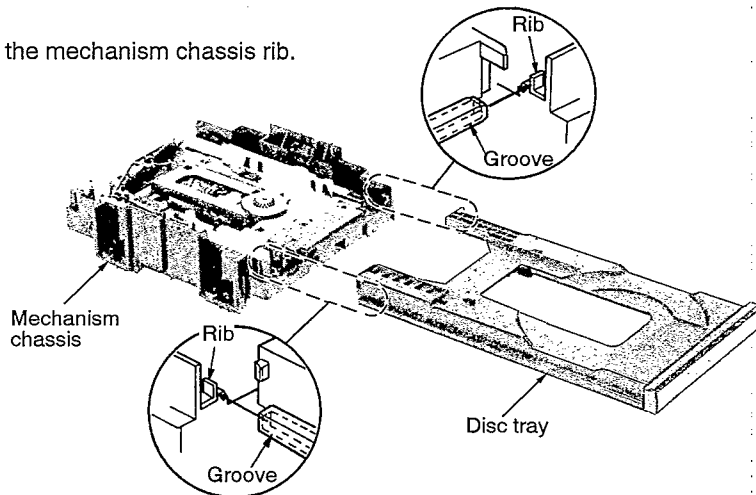
Step 1
Slide the drive rack fully in the direction of arrow.



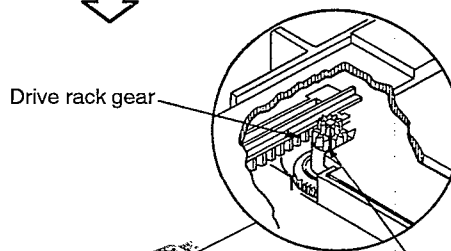
Step 2
Slide the change lever, and then leave the traverse unit ass'y falling.



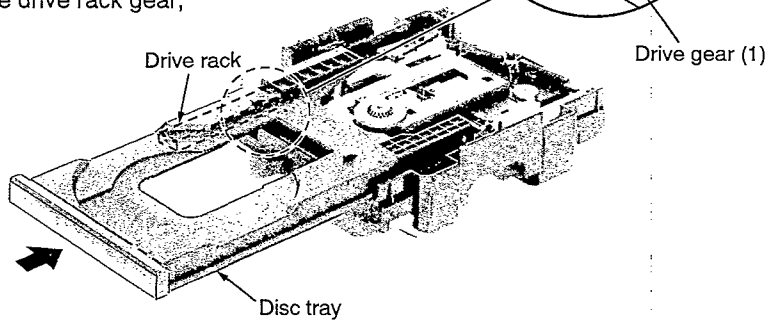
Step 3
Align the disc tray groove with the mechanism chassis rib.



Step 4
Slide the disc tray in the direction of arrow. Then, put the drive rack manually so that the drive gear (1) engages with the drive rack gear.

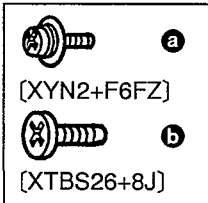
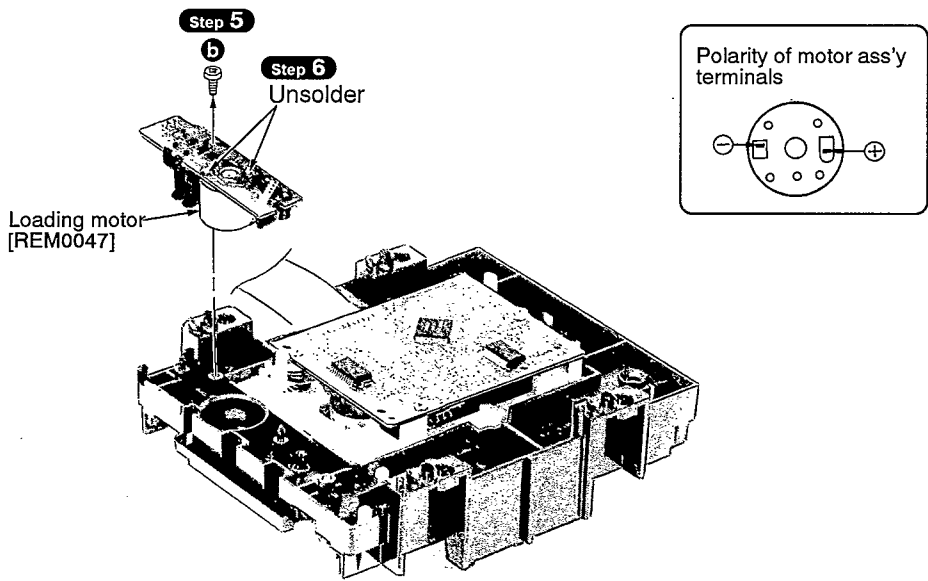
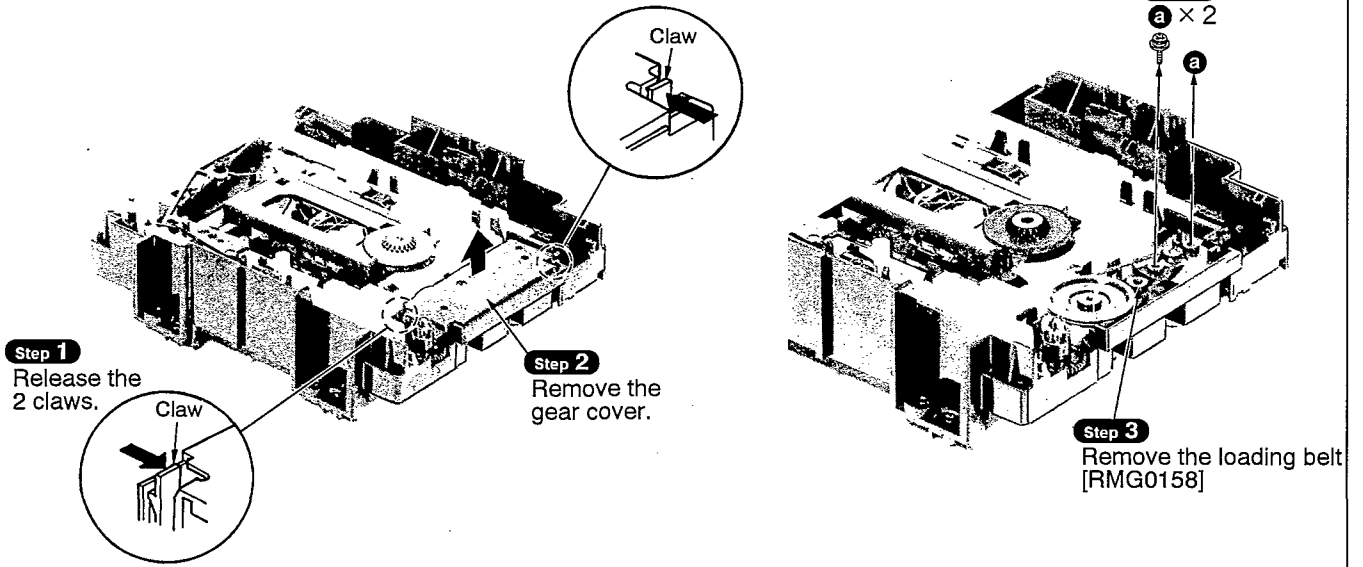


Step 5
After the drive gear (1) engaged with the drive rack gear, slide the disc tray.



2. Replacement for the loading belt and loading motor

- Follow the **Step 1** ~ **Step 7** of item 2 in checking procedure for each P.C.B. on page 9.
- Follow the **Step 1** ~ **Step 11** of item 1 in main component replacement procedures on page 10.



Automatic Adjustment Results Display Function

(Self-Check Function)

This unit has a function that uses the FL display board to indicate the results of automatic adjustment of the servo-circuit (tracking, focus, offset, etc.) as error codes. The error code display indicates the location of failures from automatic adjustment circuit.

The following procedure displays the error codes from the self-diagnostic function.

● Procedure for displaying automatic adjustment codes



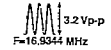
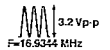

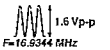

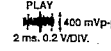
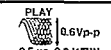

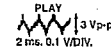

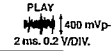
1. Plug in the power cord and wait for the STANDBY LED to flash, indicating the unit is in standby status.
2. Turn on the power supply switch while pressing the STOP (■), PAUSE (⏸) and PLAY (▶) buttons at the same time.
3. The "F E C" code is displayed 2 or 3 seconds later to indicate the automatic adjustment results mode.
4. Push the OPEN/CLOSE button to open the disc tray and then load the test disc (SZZP1054C).
5. Push the OPEN/CLOSE button again to close the disc tray.
6. After automatic adjustment, the code display indicates the location of failures in the servo circuit.

● Troubleshooting using the automatic adjustment code

Notes:

1. If "E-00" or "E-02" is displayed as an error code, this means no error was found.
2. Check the disc and laser-detector lens for damage, contamination or stains.

● Take out the test disc and turn off the power, which terminates the automatic adjustment results mode.

FL error code display	Symptom	Probable cause	Signal to check		Normal voltage and waveform values	
			Location	Signal name	PLAY	STOP
E-01	Focus and tracking offset adjustments not completed in specified time period.	① Clocks X1 and X2, power supply VDD, and reset/RST, all on IC702. ② MDATA, MCLK, MLD, and SENSE signals to/from mechanism controller.	IC702 ⑧ pin	MDATA		4.8V
			IC702 ⑦ pin	MCLK		4.8V
			IC702 ⑨ pin	MLD	0V	0V
			IC702 ⑩ pin	SENSE	0V	0V
			IC702 ⑪ pin	/RST	4.9V	4.9V
			IC702 ⑤⑨ pin	X1		
IC702 ⑥⑨ pin	X2					
E-03 E-05 E-07 E-09 E-0B E-0D E-0F	Disc play unstable	① Scratches or contaminants on disc surface ② Focus and Tracking servo circuits (check waveforms, voltages, and part values.) ③ Spindle driver circuit ④ Optical pickup	IC702 ⑩② pin	F E		2.4V
			IC702 ⑩③ pin	T E		2.4V
			IC702 ⑩④ pin	FOD	2.4V	2.4V
			IC702 ⑩⑦ pin	TRD	2.4V	2.4V
			IC702 ⑩⑥ pin	KICK	2.4V	2.4V
			IC702 ⑩① pin	/FLOCK	0V	4.9V
			IC702 ⑩⑧ pin	/RF DET	0V	4.8V
			TJ701	R F		3.4V
			IC702 ⑩⑦ pin	STAT	4.9V	0V
E-04 E-06 E-0C E-0E	Best "eye" (PD balance) adjustment not completed in specified time period.	① Scratches or contaminants on disc surface ② Focus and Tracking servo circuits (check waveforms, voltages, and part values.) ③ Optical pickup	IC702 ⑩⑩ pin	FBAL	2.5V ± 1.25V	2.5V ± 1.25V
			TJ701	R F		3.4V
			IC702 ⑩② pin	F E		0V
			IC702 ⑩⑥ pin	O F T	0V	0V
			IC702 ⑩② pin	/TLOCK	0V	0V
E-08 E-0A	Focus or Tracking gain adjustment not completed in specified time period.	① Scratches or contaminants on disc surface ② Focus and Tracking servo circuits (check waveforms, voltages, and part values.) ③ Optical pickup	IC702 ⑩② pin	F E		2.4V
			IC702 ⑩③ pin	T E		2.4V
			IC702 ⑩⑥ pin	O F T	0V	0V
			IC702 ⑩② pin	/TLOCK	0V	0V

■ Schematic Diagram

	Page
A SERVO CIRCUIT	16, 17
B REMOTE SENSOR/POWER SWITCH CIRCUIT	18
C OPERATION CIRCUIT	18
D LOADING MOTOR CIRCUIT	19
E MAIN CIRCUIT	18, 19
F HEADPHONES JACK CIRCUIT	20

- This schematic diagram may be modified at any time with the development of new technology.

Notes:

- **S601** : Time mode select switch (TIME MODE)
- **S602** : Auto cue switch (AUTO CUE)
- **S603** : Time fade switch (TIME FADE)
- **S604** : Peak level search switch (PEAK SEARCH)
- **S605** : Random play switch (RANDOM)
- **S606** : Numeric (1) switch
- **S607** : Numeric (2) switch
- **S608** : Numeric (3) switch
- **S609** : Numeric (4) switch
- **S610** : Numeric (5) switch
- **S611** : Numeric (0) switch
- **S612** : Numeric (9) switch
- **S613** : Numeric (8) switch
- **S614** : Numeric (7) switch
- **S615** : Numeric (6) switch
- **S618** : Tape-side select switch (SIDE A/B)
- **S619** : Edit tape length switch (TAPE LENGTH)
- **S620** : Numeric (≥ 10) switch
- **S621** : F. Skip switch (▶▶▶)
- **S622** : Pause switch (||)
- **S623** : Disc tray open/close switch (▲ OPEN/CLOSE)
- **S624** : Program switch (PROGRAM)
- **S625** : Repeat switch (REPEAT)
- **S626** : Stop switch (■)
- **S627** : Play switch (▶)
- **S628** : R. Skip switch (◀◀◀)
- **S629** : Clear switch (CLEAR)
- **S630** : Recall switch (RECALL)
- **S651** : Power "STANDBY ⏻ /ON" switch (POWER)
- **VR871** : Headphones level control

- Indicated voltage values are the standard values for the unit measured by the DC electronic circuit tester (high-impedance) with the chassis taken as standard. Therefore, there may exist some errors in the voltage values, depending on the internal impedance of the DC circuit tester.

No mark : CD STOP

() : CD PLAY [1kHz, L + R, 0 dB]

- Important safety notice:

Components identified by \triangle mark have special characteristics important for safety.

Furthermore, special parts which have purposes of fire-retardant (resistors), high-quality sound (capacitors), low-noise (resistors), etc. are used. When replacing any of components, be sure to use only manufacturer's specified parts shown in the parts list.

- **Caution!**

IC and LSI are sensitive to static electricity.

Secondary trouble can be prevented by taking care during repair.


Cover the parts boxes made of plastics with aluminum foil.

Ground the soldering iron.


Put a conductive mat on the work table.

Do not touch the legs of IC or LSI with the fingers directly.

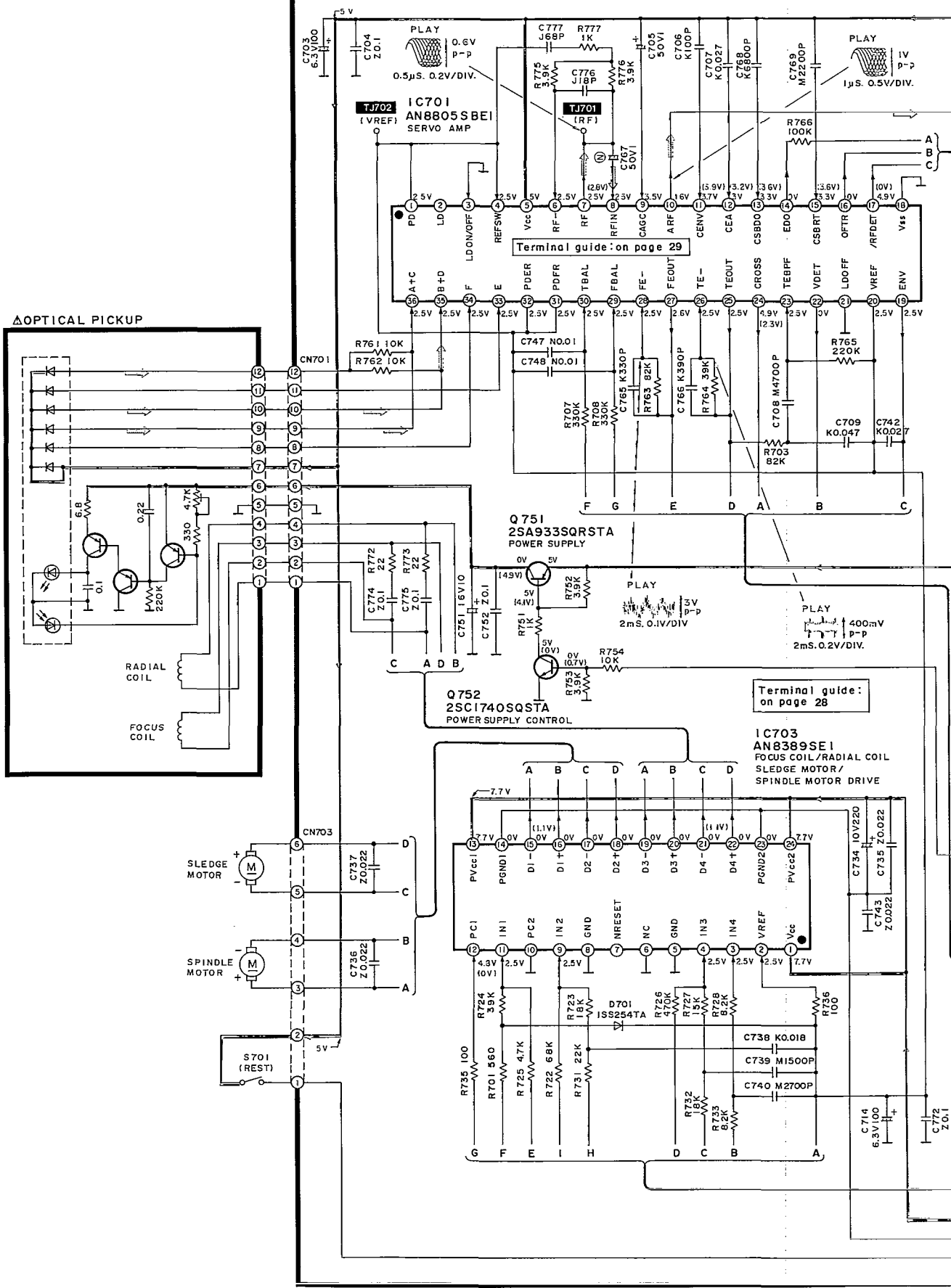
- **Voltage and signal line**

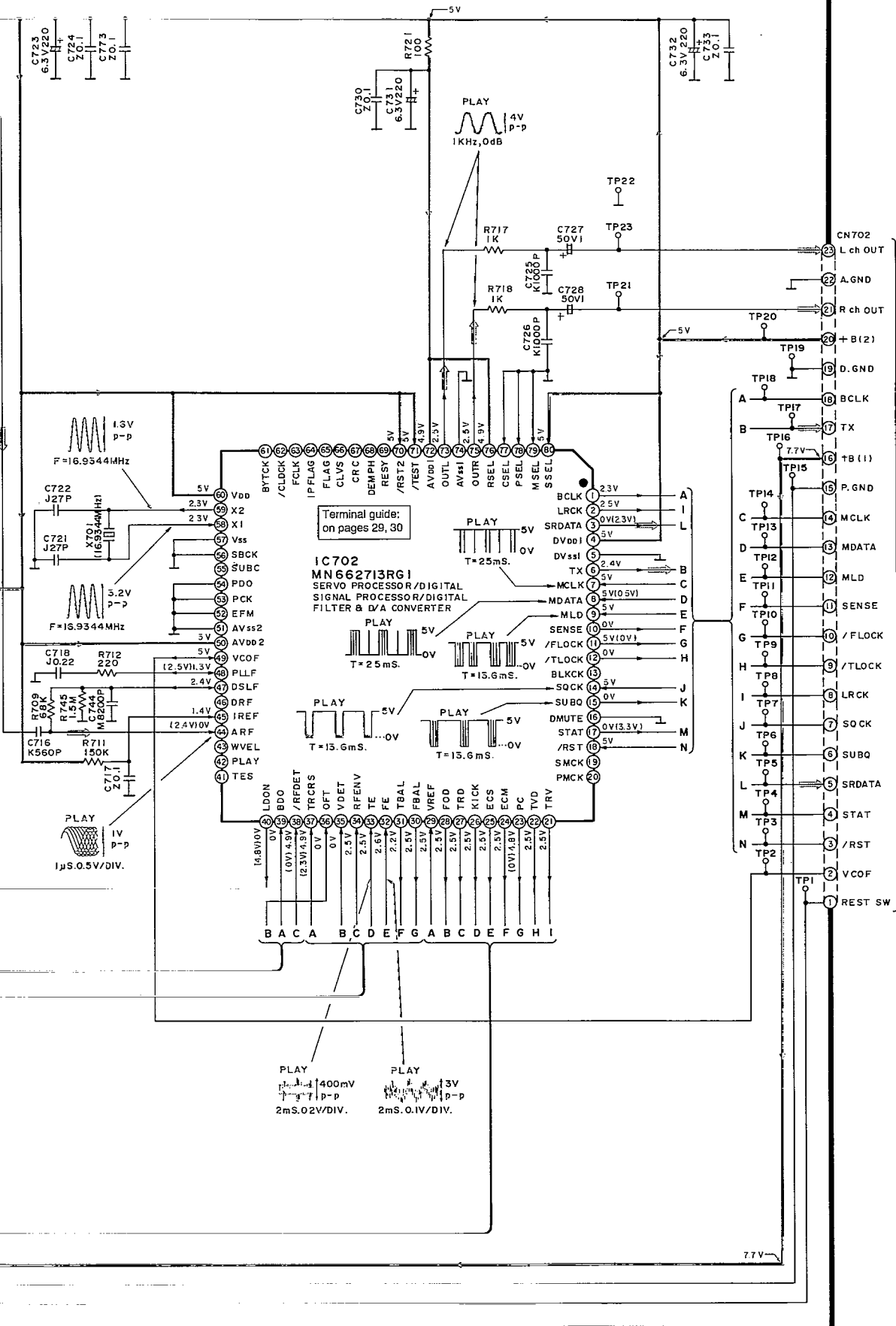
 : Positive voltage line

 : Negative voltage line

 : CD signal Line

A SERVO CIRCUIT (P.C.Board : on page 21)





Terminal guide:
on pages 29, 30

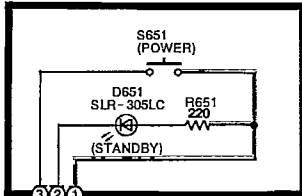
IC702
MN662713RG1
SERVO PROCESSOR/DIGITAL
SIGNAL PROCESSOR/DIGITAL
FILTER & D/A CONVERTER

To **E** MAIN
CIRCUIT
(CN401)
on page: 19

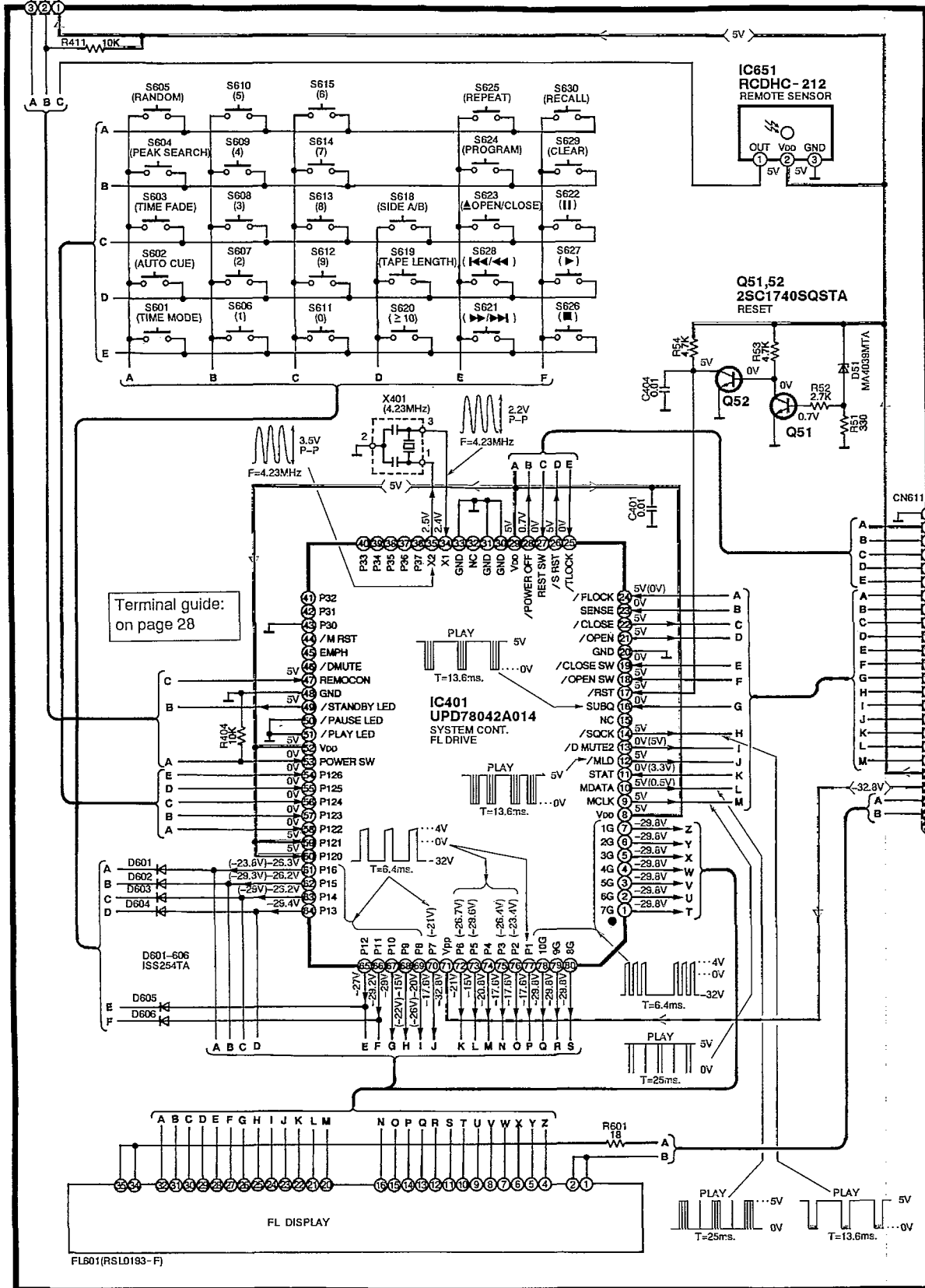
PLAY
400mV
2mS.02V/DIV.

PLAY
13V
2mS.0.1V/DIV.

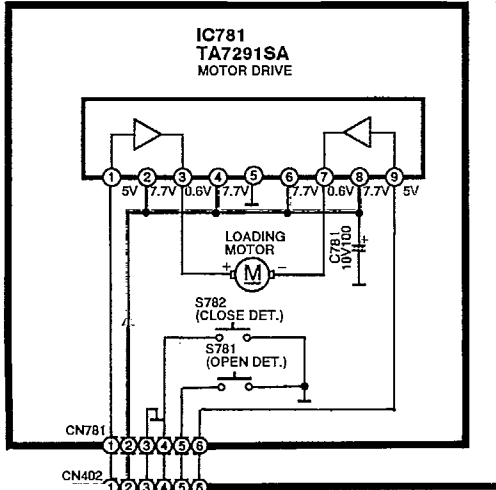
B POWER SWITCH CIRCUIT
(P.C.Board: on page 21)



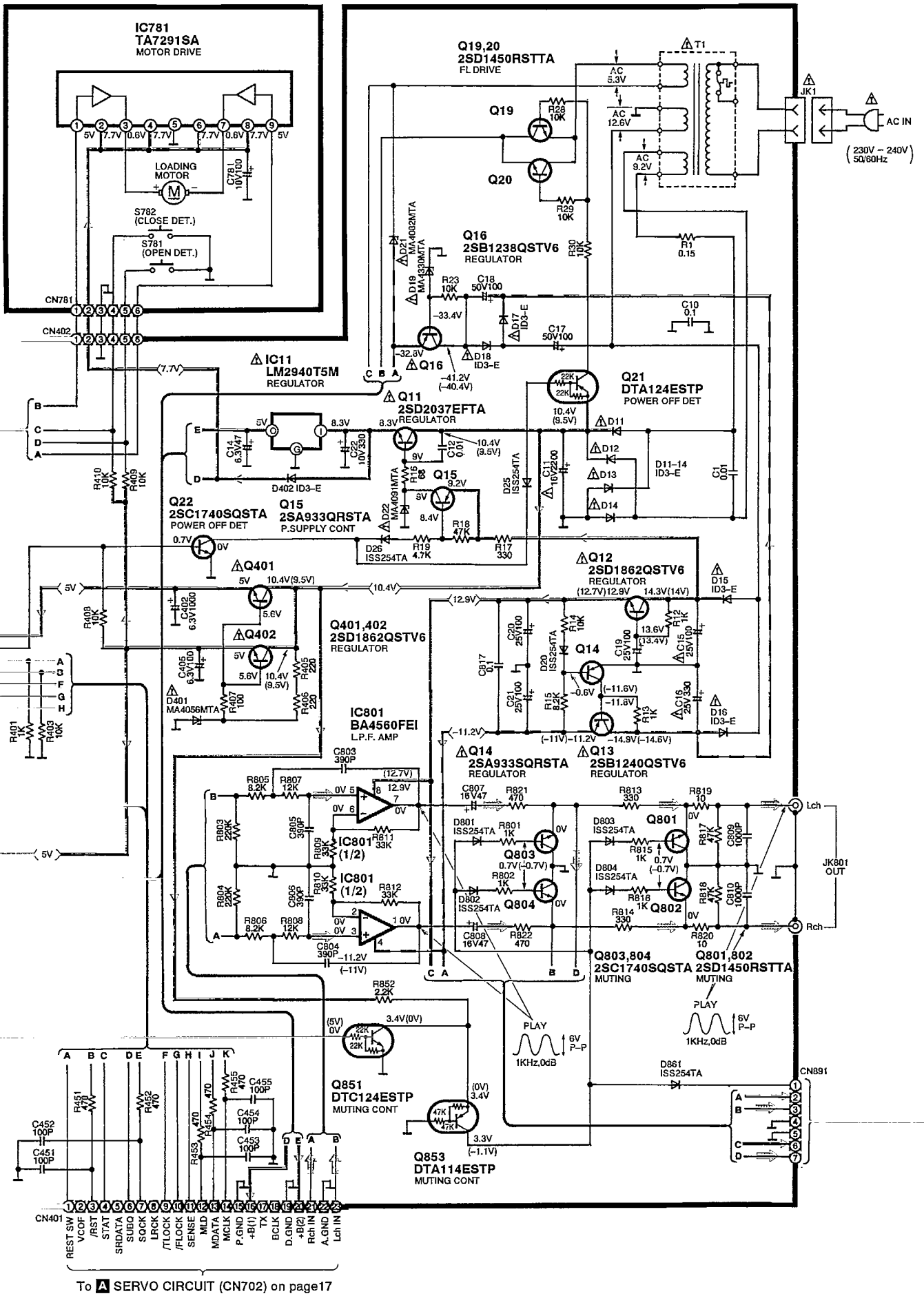
C OPERATION CIRCUIT (P.C.Board: on page 22)



D LOADING MOTOR CIRCUIT
(P.C. Board: on page 21)



E MAIN CIRCUIT (P.C. Board: on page 22)

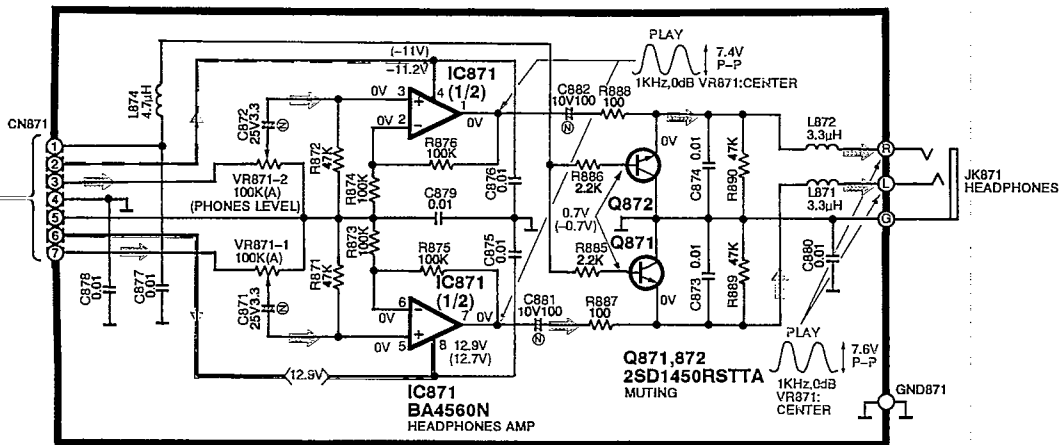


To **A** SERVO CIRCUIT (CN702) on page17

• Terminal guide of IC's, transistors and diodes

<p>BA4560FE1</p>	<p>AN8389SE1</p>	<p>AN8805SBE1 36 Pin</p>	<p>MN662713RG1 80 Pin</p>		
<p>UPD78042A014</p>	<p>BA4560N</p>	<p>TA7291SA</p>	<p>LM2940T5</p>	<p>RCDHC-212</p>	<p>2SD2037EFTA</p>
<p>2SA933SQR 2SC1740SQ DTA114ESTP DTA124ESTP DTC124EST</p>		<p>2SD1450RTA</p>	<p>2SB1238QSTV6 2SB1240QSTV6 2SD1862QRTV6</p>	<p>1SS254TA</p>	<p>1D3-E</p>
<p>MA4330MTA</p>	<p>MA4039MTA MA4056MTA MA4082MTA MA4091-M</p>		<p>SLR-305LC</p>		

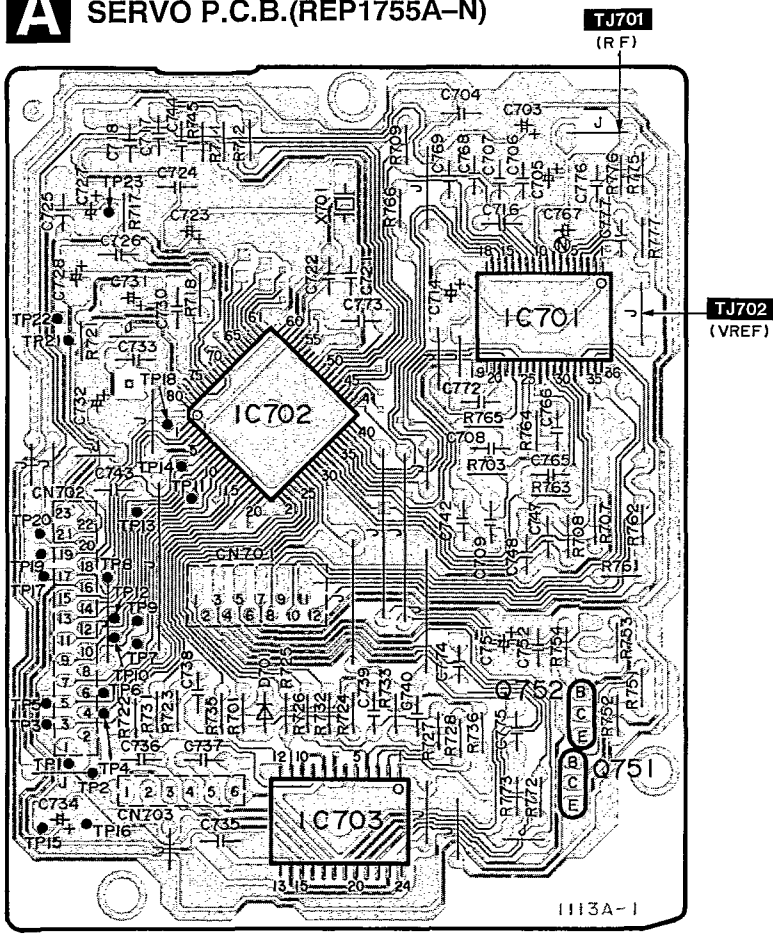
F HEADPHONES JACK CIRCUIT (P.C. Board: on page 21)



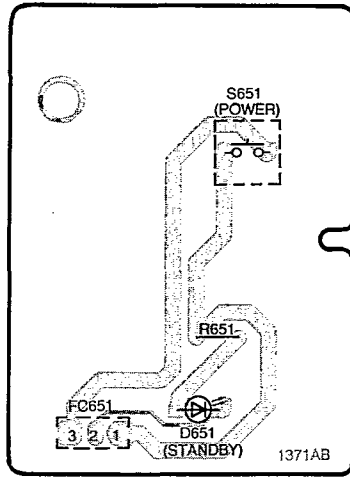
Printed Circuit Board Diagram

This circuit board diagram may be modified at any time with the development of new technology.

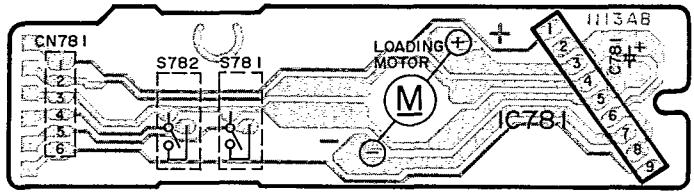
A SERVO P.C.B.(REP1755A-N)



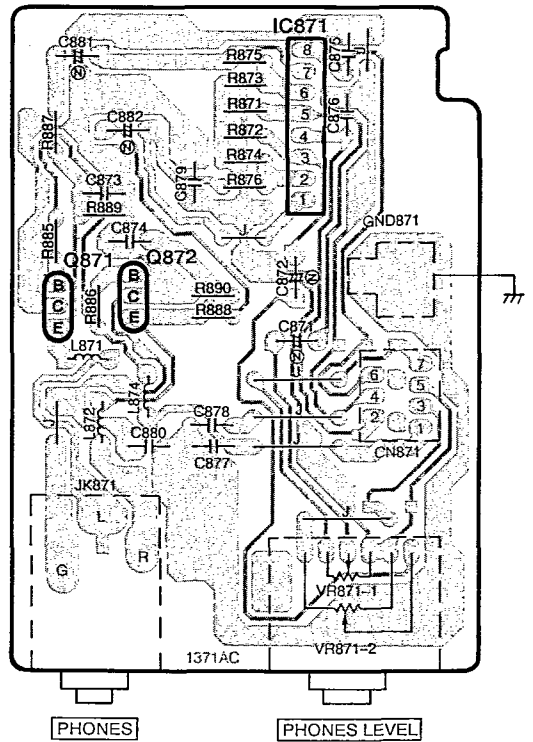
B POWER SWITCH P.C.B.(REP2085A-S)

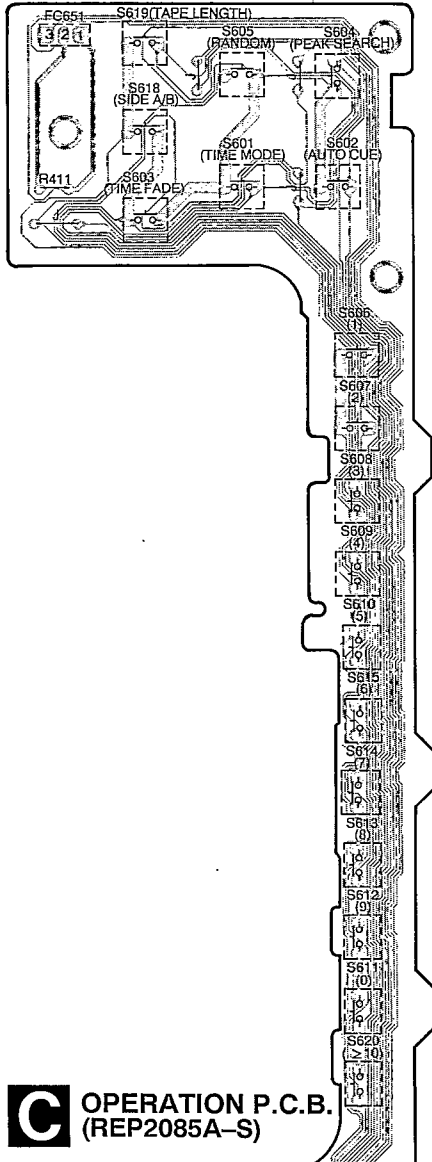


D LOADING MOTOR P.C.B.(REP1940A-N)

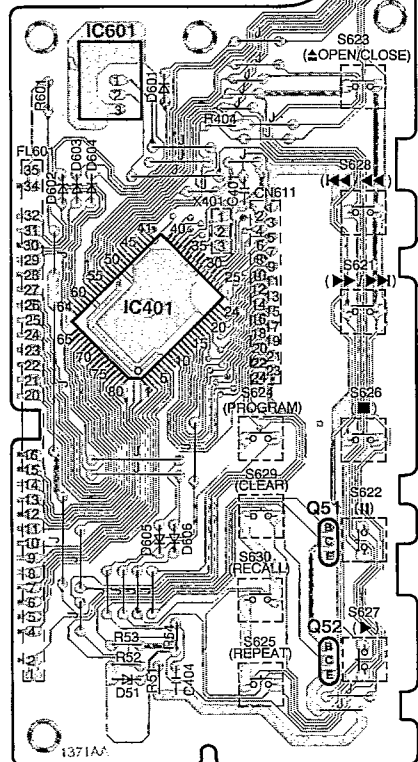


F HEADPHONES JACK P.C.B. (REP2086A-S)

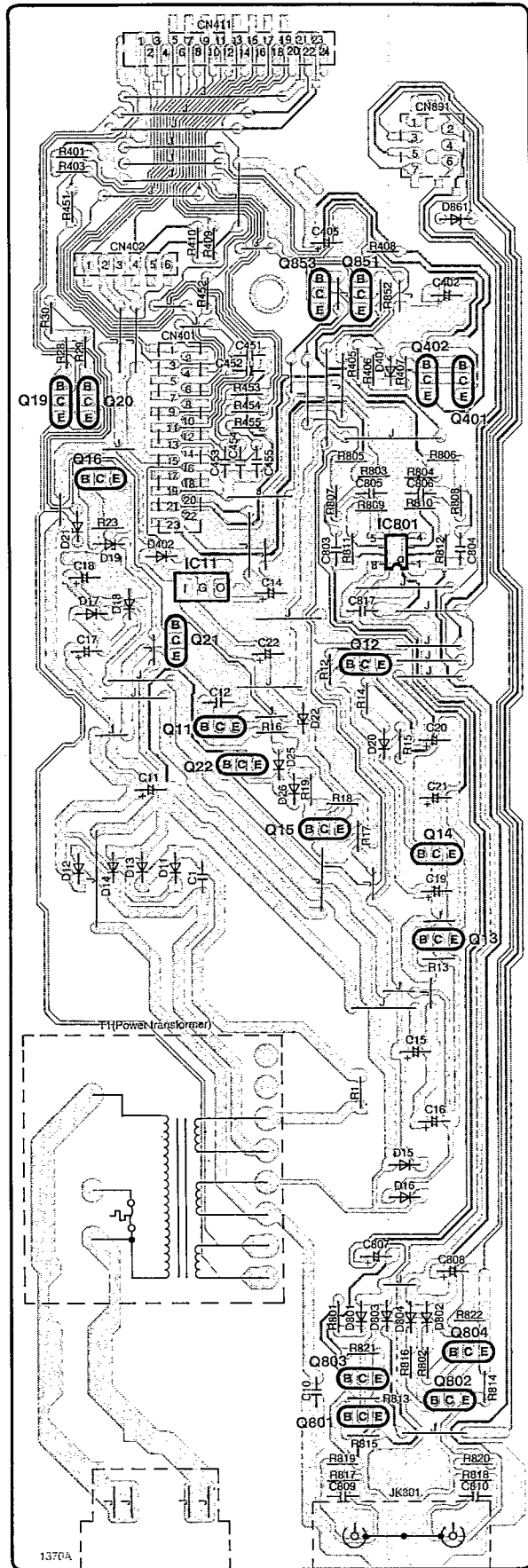




C OPERATION P.C.B. (REP2085A-S)



E MAIN P.C.B. (REP2084A-1M)



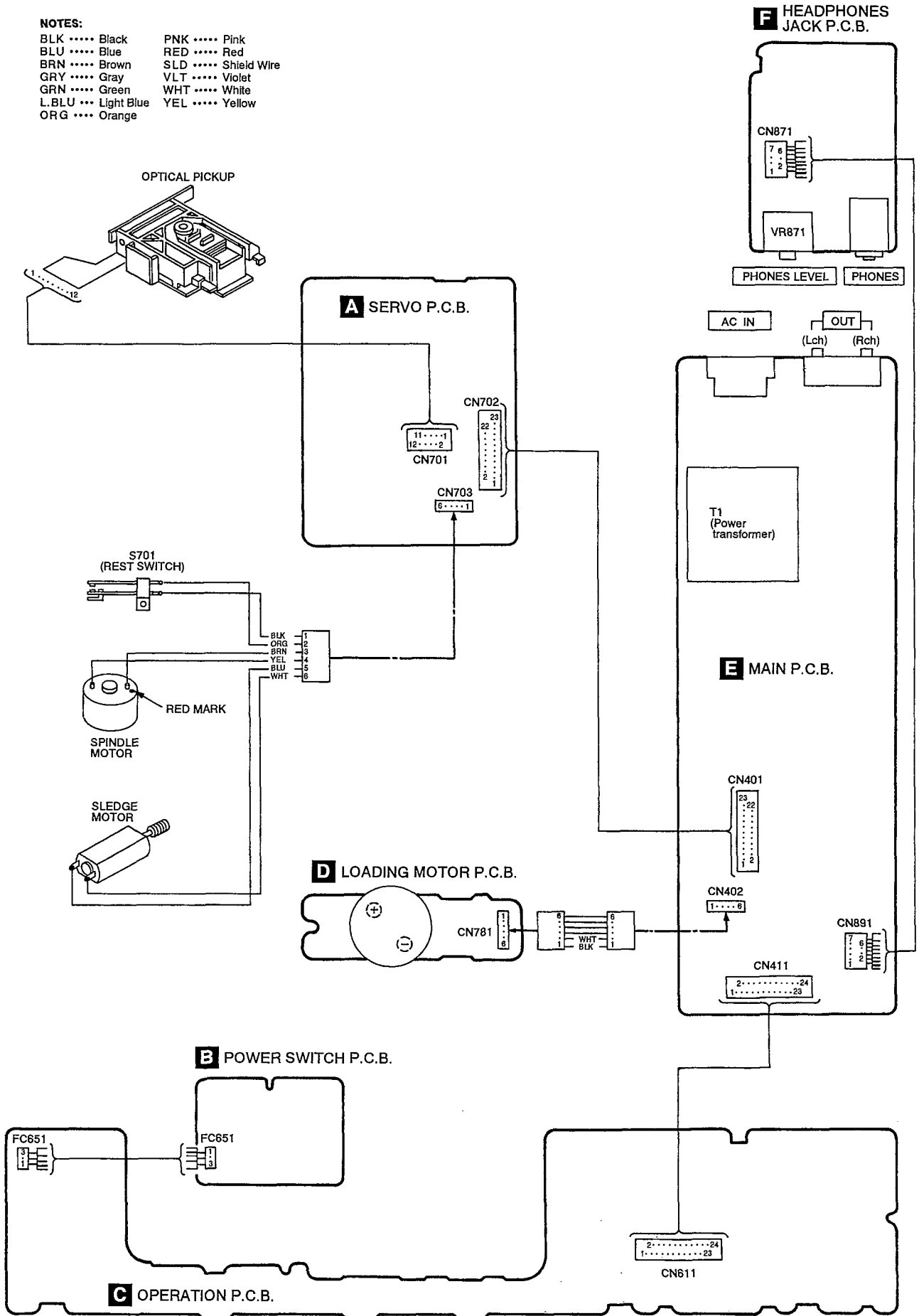
AC IN
(230V-240V 50/60Hz)

(Lch) (Rch)
OUT

Wiring Connection Diagram

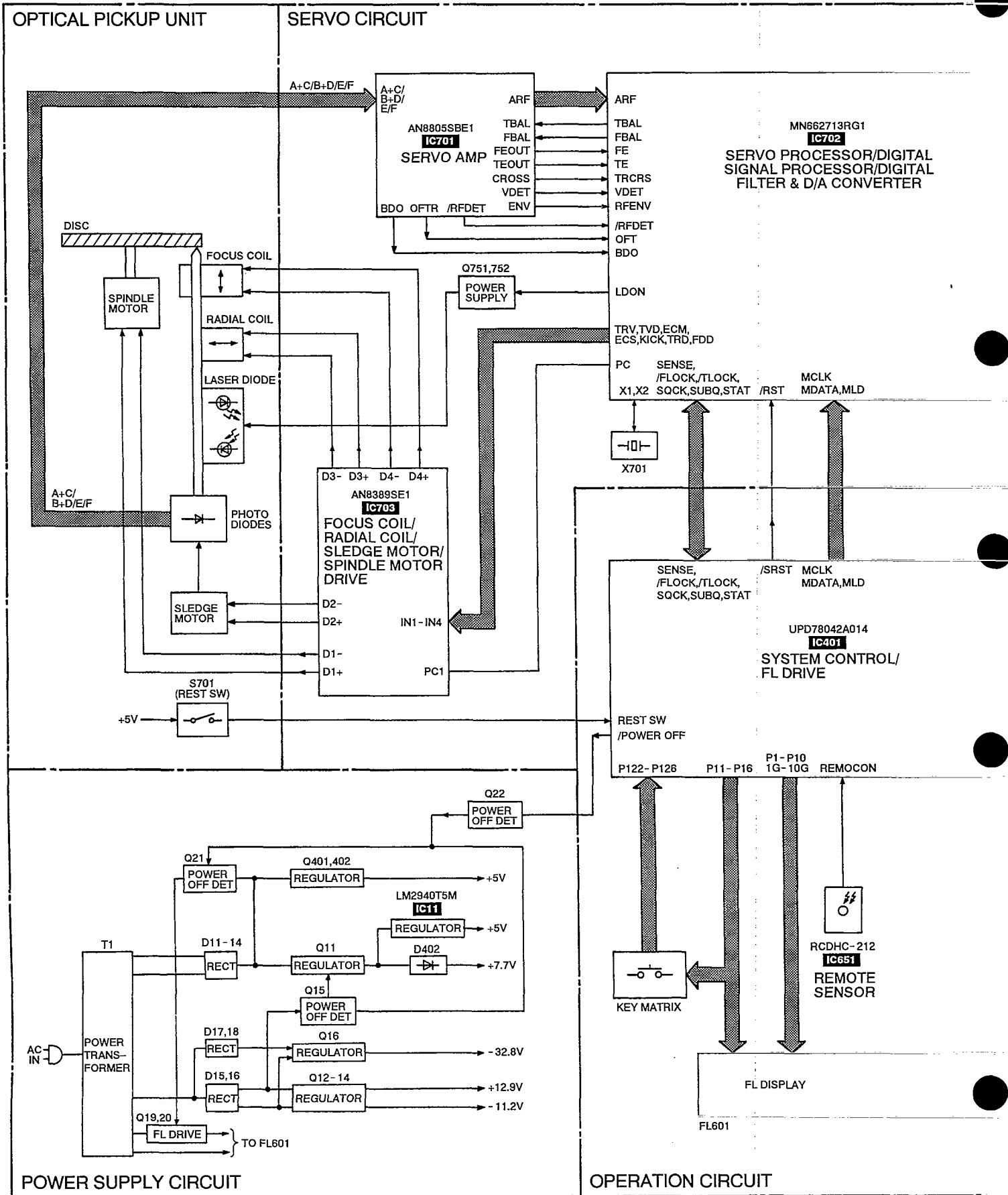
NOTES:

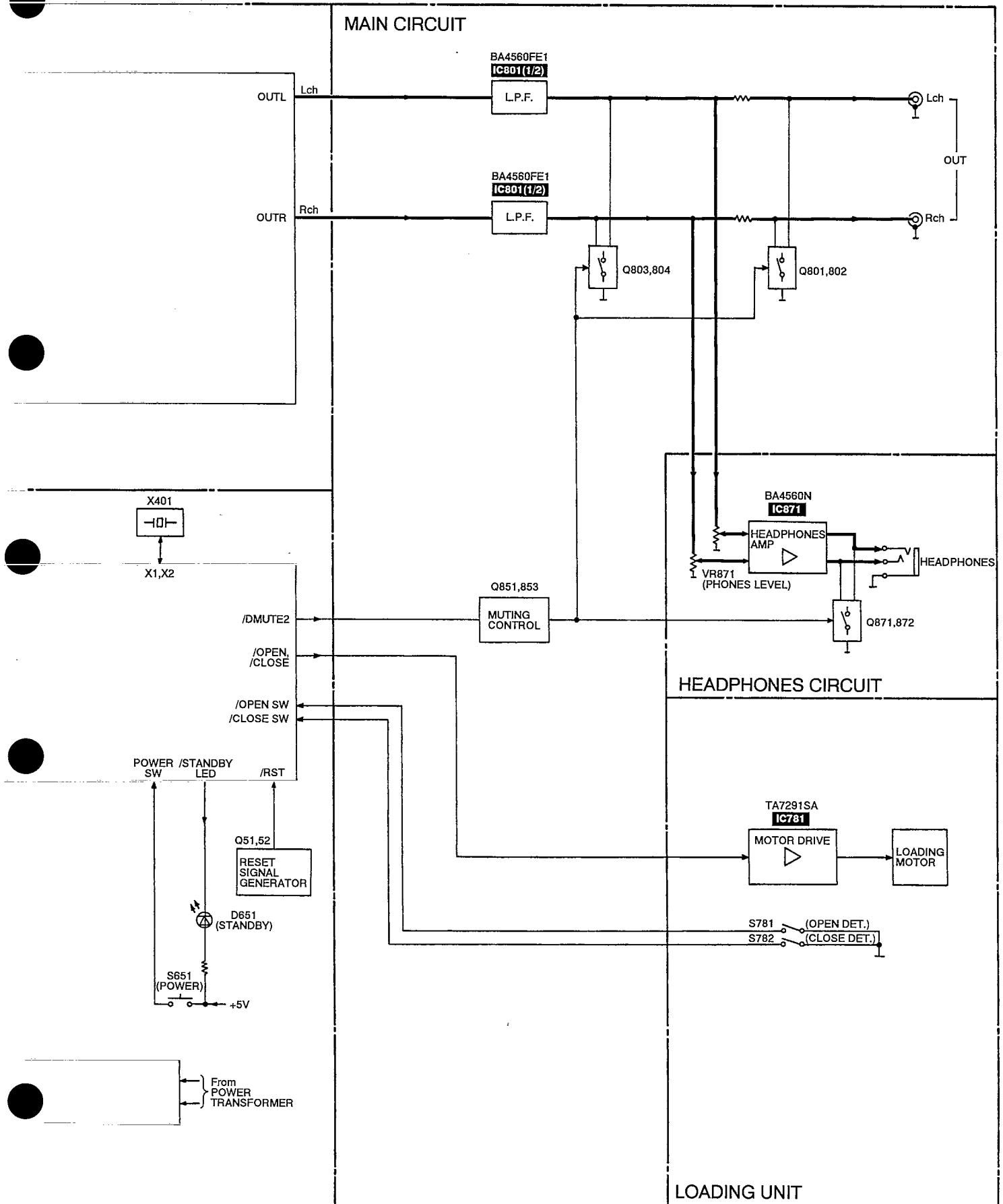
- | | |
|----------------------|-----------------------|
| BLK Black | PNK Pink |
| BLU Blue | RED Red |
| BRN Brown | SLD Shield Wire |
| GRY Gray | VLV Violet |
| GRN Green | WHT White |
| L.BLU ... Light Blue | YEL Yellow |
| ORG Orange | |



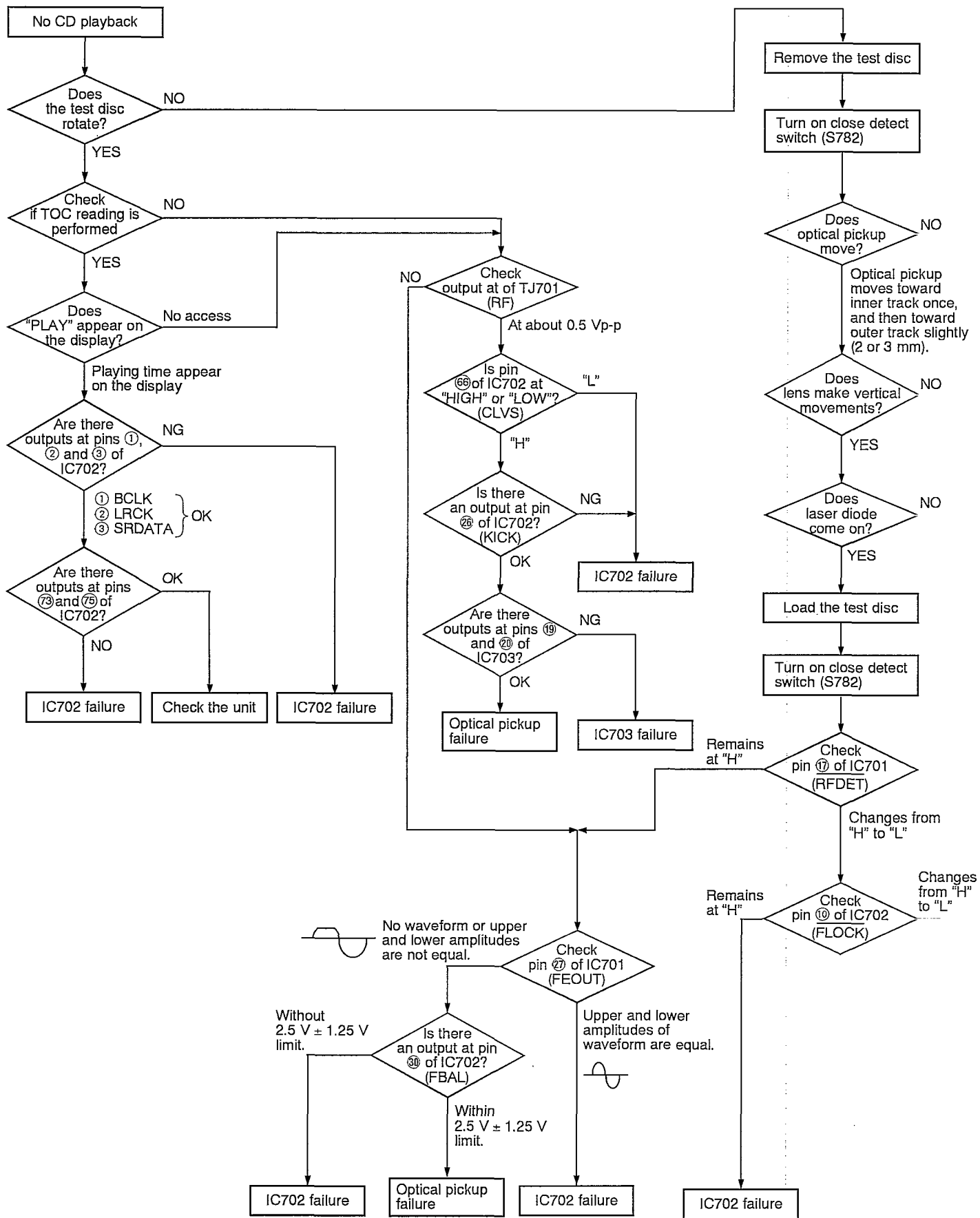
Block Diagram

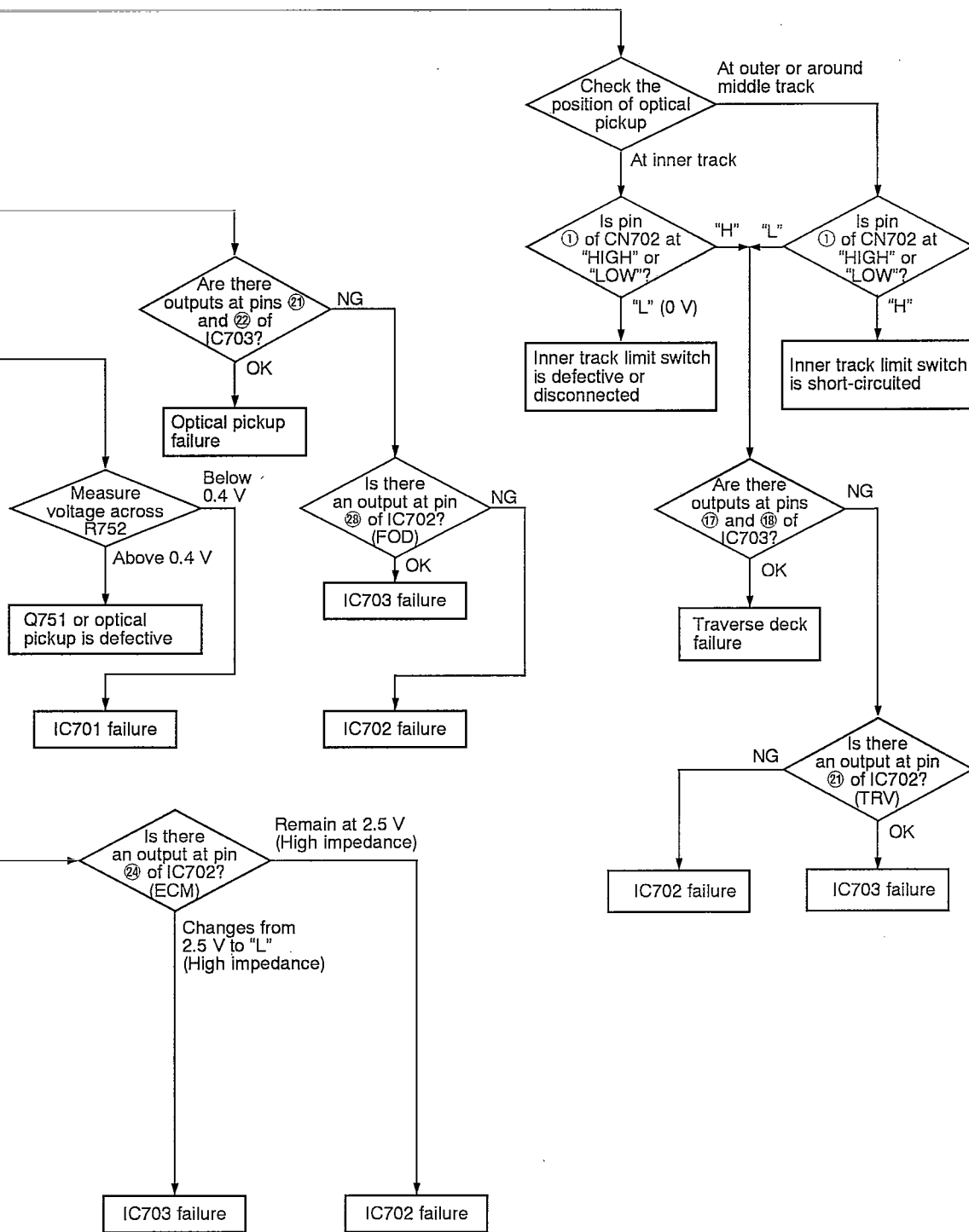
Note: AUDIO SIGNAL





Troubleshooting Guide





■ Function of IC Terminals

● IC401 (UPD78042A014)

Pin No.	Terminal Name	I/O	Function
1	7G	O	FL grid drive signal output
5	5		
7	1G		
8	VDD	—	Power supply (+ 5V)
9	MCLK	O	Microprocessor command clock
10	MDATA	O	Microprocessor command data
11	STAT	I	Status signal input
12	/MLD	O	Microprocessor command load signal
13	/DMUTE2	O	No used, open
14	SQCK	O	External clock for subcode Q register
15	NC	—	No used, open
16	SUBQ	I	Subcode Q input
17	/RST	I	Reset signal input
18	/OPEN SW	I	Disc tray "open" sense switch status
19	/CLOSE SW	I	Disc tray "close" sense switch status
20	GND	—	Connect to GND
21	/OPEN	O	Open Disc Tray command output
22	/CLOSE	O	Close Disc Tray command output
23	SENSE	I	Sense signal input
24	/FLOCK	I	Focus servo pull-in signal
25	/TLOCK	I	Tracking servo pull-in signal
26	/S RST	O	Reset signal output (for servo)
27	REST SW	I	Innermost track sense switch status
28	/POWER OFF	O	Power off command output
29	VDD	—	Power supply (+ 5V)
30	GND	—	Connect to GND
31	GND	—	Connect to GND
32	NC	—	No used, open
33	GND	—	Connect to GND
34	X1	I	Main clock (4.23 MHz) input
35	X2	O	Main clock output

● IC703 (AN8389SE1)

Pin No.	Terminal Name	I/O	Function
1	Vcc	—	Power supply
2	VREF	I	VREF input
3	IN4	I	Motor driver (4) input
4	IN3	I	Motor driver (3) input
5	GND	—	Ground connection
6	NC	—	Ground connection
7	NRESET	—	Reset input (no used, open)
8	GND	—	Ground connection
9	IN2	I	Motor driver (2) input
10	PC2	I	PC2 (power cut) input
11	IN1	I	Motor driver (1) input
12	PC1	I	PC1 (power cut) input

Pin No.	Terminal Name	I/O	Function
36	P37	I	No used, open
41	P32		
42	P31	I	Connect to GND
43	P30	I	
44	/MRST	O	Reset signal output for MASH (IC801)
45	EMPH	O	Emphasis signal output
46	/DMUTE	O	Muting signal output
47	REMOCON	I	Remote control signal input
48	GND	—	Connect to GND
49	/STANDBY LED	O	STANDBY LED control signal output
50	/PAUSE LED	O	PAUSE LED control signal output
51	/PLAY LED	O	PLAY LED control signal output
52	VDD	—	Power supply (+ 5V)
53	POWER SW	I	Power key switch signal input
54	P126	I	Key return signal input
55	5		
58	P122		
59	P121	—	Connect to GND
60	P120		
61	P16	O	FL anode drive signal and key scan signal output
62	5		
66	P11		
67	P10	O	FL anode drive signal output
68	5		
70	P7		
71	VPP	—	Power supply terminal for FL drive (− 32V)
72	P6	O	FL anode drive signal output
77	P1		
78	10G	O	FL grid drive signal output
79	5		
80	8G		

● IC701 (AN8805SBE1)

Pin No.	Terminal Name	I/O	Function
1	PD	I	APC amplifier input
2	LD	O	APC amplifier output (No used, open)
3	LD ON/OFF	I	APC ON/OFF control signal
4	REFSW	I	Capacitor connection for CROSS
5	VCC	—	Power supply
6	RF-	I	RF amplifier inversion signal input
7	RF	O	RF amplifier signal output
8	RFIN	I	AGC signal input
9	CAGC	I	AGC loop filter connection
10	ARF	O	AGC signal output
11	CENV	I	Capacitor connection for RF detection
12	CEA	I	Capacitor connection for HPF amplifier
13	CSBDO	I	Capacitor connection for-RF envelope detection
14	EDO	O	BDO signal output
15	CSBRT	I	Capacitor connection for RF envelope detection
16	OFTR	O	OFTR signal output
17	/RFDET	O	RFDET signal output
18	Vss	—	GND
19	ENV	O	3TENV signal output
20	VREF	O	VREF signal output
21	LD OFF	—	APC OFF signal control
22	VDET	O	VDET signal output
23	TEBPF	I	VDET signal input
24	CROSS	O	CROSS signal output
25	TEOUT	O	TE amplifier signal output
26	TE-	I	TE amplifier inversion signal input
27	FEOUT	O	FE amplifier signal output
28	FE-	I	FE amplifier inversion signal input
29	FBAL	I	F BAL control signal
30	TBAL	I	T BAL control signal
31	PDFR	—	Adjustment for I-V amplifier conversion resistor
32	PDER	—	Adjustment for I-V amplifier conversion resistor
33	E	I	I-V amplifier signal input
34	F	I	I-V amplifier signal input
35	B+D	I	I-V amplifier signal input
36	A+C	I	I-V amplifier signal input

● IC702(MN662713RG1)

Pin No.	Terminal Name	I/O	Function
1	BCLK	O	Bit clock output for serial data
2	LRCK	—	LR identification signal output
3	SRDATA	—	Serial data output
4	DVdd1	—	Power supply input (for digital circuit)
5	DVss1	—	GND (for digital circuit)
6	TX	O	Digital audio interface signal output
7	MCLK	I	Microprocessor command clock signal input (Latches data at first transition)
8	MDATA	I	Microprocessor command data signal input
9	MLD	I	Microprocessor command load signal input
10	SENSE	O	Sense signal output (OFT, FESL, MAGEND, NAJEND, POSAD, SFG)
11	/FLOCK	O	Focus servo feeding signal output ("L": Feed)
12	/TLOCK	O	Tracking servo feeding signal output ("L": Feed)
13	BLKCK	O	Sub-code block clock signal output (fBLKCK = 75 Hz during normal playback) (no used, open)
14	SQCK	I	External clock signal input for sub-code Q resistor
15	SUBQ	O	Sub-code Q code output
16	DMUTE	I	Muting input ("H": Mute)
17	STAT	O	Status signal output (CRC, CUE, CLVS, TTSTVP, FCLV, SQCK)
18	/RST	I	Reset input
19	SMCK	—	1/2-divided clock signal of crystal oscillating at MSEL = "H" (fSMCK = 8.4672 MHz) 1/4-divided clock signal of crystal oscillating at MSEL = "L" (fSMCK = 4.2336 MHz) (no used, open)
20	PMCK	—	1/192-divided clock signal of crystal oscillating (fPMCK = 88.2 kHz) (no used, open)
21	TRV	O	Traverse forced feed output
22	TVD	O	Traverse drive output
23	PC	O	Spindle motor ON signal output ("L": ON)
24	ECM	O	Spindle motor drive signal output (forced mode output)
25	ECS	O	Spindle motor drive signal output (servo error signal output)
26	KICK	O	Kick pulse output
27	TRD	O	Tracking drive output
28	FOD	O	Focus drive output
29	VREF	I	D/A (drive) output (TVD, ECS, TRD, FOD, FBAL, TBAL) reference voltage input
30	FBAL	O	Focus balance adjustment output
31	TBAL	O	Tracking balance adjustment output

● IC702 Continued

Pin No.	Terminal Name	I/O	Function
32	FE	I	Focus error signal input (analog input)
33	TE	I	Tracking error signal input (analog input)
34	RFENV	I	RF envelope signal input
35	VDET	I	Vibration detection signal input ("H": detection)
36	OFT	I	Off-track signal input ("H": off track)
37	TRCRS	I	Track cross signal input
38	/RFDET	I	RF detection signal input ("L": detection)
39	BDO	I	Dropout signal input ("H": Dropout)
40	LDON	O	Laser on signal output ("H": ON)
41	TES	O	Tracking error shunt signal output ("H": shunt) (no used, open)
42	PLAY	O	Play signal out ("H": PLAY) (no used, open)
43	WVEL	O	Double speed status signal output ("H": Double speed) (no used, open)
44	ARF	I	RF signal input
45	IREF	I	Reference current input
46	DRF	—	DSL bias (no used, open)
47	DSLIF	I/O	DSL loop filter
48	PLLIF	I/O	PLL loop filter
49	VCOF	I/O	VCO loop filter
50	AVdd2	—	Power supply input (for analog circuit)
51	AVss2	—	GND (for analog circuit)
52	EFM	—	EFM signal output (not used, open)
53	PCK	—	PLL extraction clock output (fPCK = 4.321MHz during normal playback) (no used, open)
54	PDO	—	Phase comparison signal of EFM and PCK signals (no used, open)
55	SUBC	O	Sub-code serial data output (no used, open)
56	SBCK	I	Clock input for sub-code serial data
57	Vss	—	GND
58	X1	I	Crystal oscillating circuit input (f = 16.9344MHz)
59	X2	O	Crystal oscillating circuit output (f = 16.9344MHz)
60	Vdd	—	Power supply input (for oscillating circuit)
61	BYTCK	—	Byte clock output (no used, open)
62	/CLDCK	O	Sub-code frame clock signal output (fCLDCK = 7.35kHz during normal playback)
63	FCLK	—	Crystal frame clock signal output (fFCLK = 7.35kHz, double = 14.7kHz)
64	IPFLAG	O	Interpolation flag output ("H": Interpolation) (no used, open)
65	FLAG	O	Flag output (no used, open)

Pin No.	Terminal Name	I/O	Function
66	CLVS	O	Spindle servo phase synchronizing signal output ("H": CLV, "L": rough servo) (no used, open)
67	CRC	O	Sub-code CRC checked output ("H": OK, "L": NG) (no used, open)
68	DEMPH	O	De-emphasis ON signal output ("H": ON) (no used, open)
69	RESY	—	Frame resynchronizing signal output (no used, open)
70	/RST2	I	Reset input through MASH circuit ("L": Reset)
71	/TEST	I	Test input
72	AVdd1	—	Power supply input (for analog circuit)
73	OUTL	O	Left channel audio signal output
74	AVss1	—	GND
75	OUTR	O	Right channel audio signal output
76	RSEL	I	RF signal polarity assignment input (at "H" level: RSEL = "H") (at "L" level: RSEL = "L")
77	CSEL	I	Crystal oscillating frequency designation input ("L": 16.9344MHz, "H": 33.8688MHz)
78	PSEL	I	Test input (normally, "L")
79	MSEL	I	Output frequency switching for SMCK terminal "H": SMCK = 8.4672MHz "L": SMCK = 4.2336MHz
80	SSEL	I	Output mode switching of SUBQ terminal ("H": Q code buffer mode)

Replacement Parts List

Notes: *Important safety notice:

 Components identified by Δ mark have special characteristics important for safety.

Furthermore, special parts which have purposes of fire-retardant (resistors), high-quality sound (capacitors), low-noise (resistors), etc. are used.

When replacing any of components, be sure to use only manufacturer's specified parts shown in the parts list.

*The parenthesized indications in the Remarks columns specify the areas. (Refer to the cover page for area.)

Parts without these indications can be used for all areas.

*Remote Control Ass'y: Supply period for three years from termination of production.

* [MB] Indicates in Remarks columns parts that are supplied by MBV.

*Warning: This product uses a laser diode. Refer to caution statements on page 2.

*ACHTUNG: Die Lasereinheit nicht zerlegen.

Die Lasereinheit darf nur gegen eine vom hersteller spezifizierte einheit ausgetauscht werden.

*The "(SF)" mark denotes the standard part.

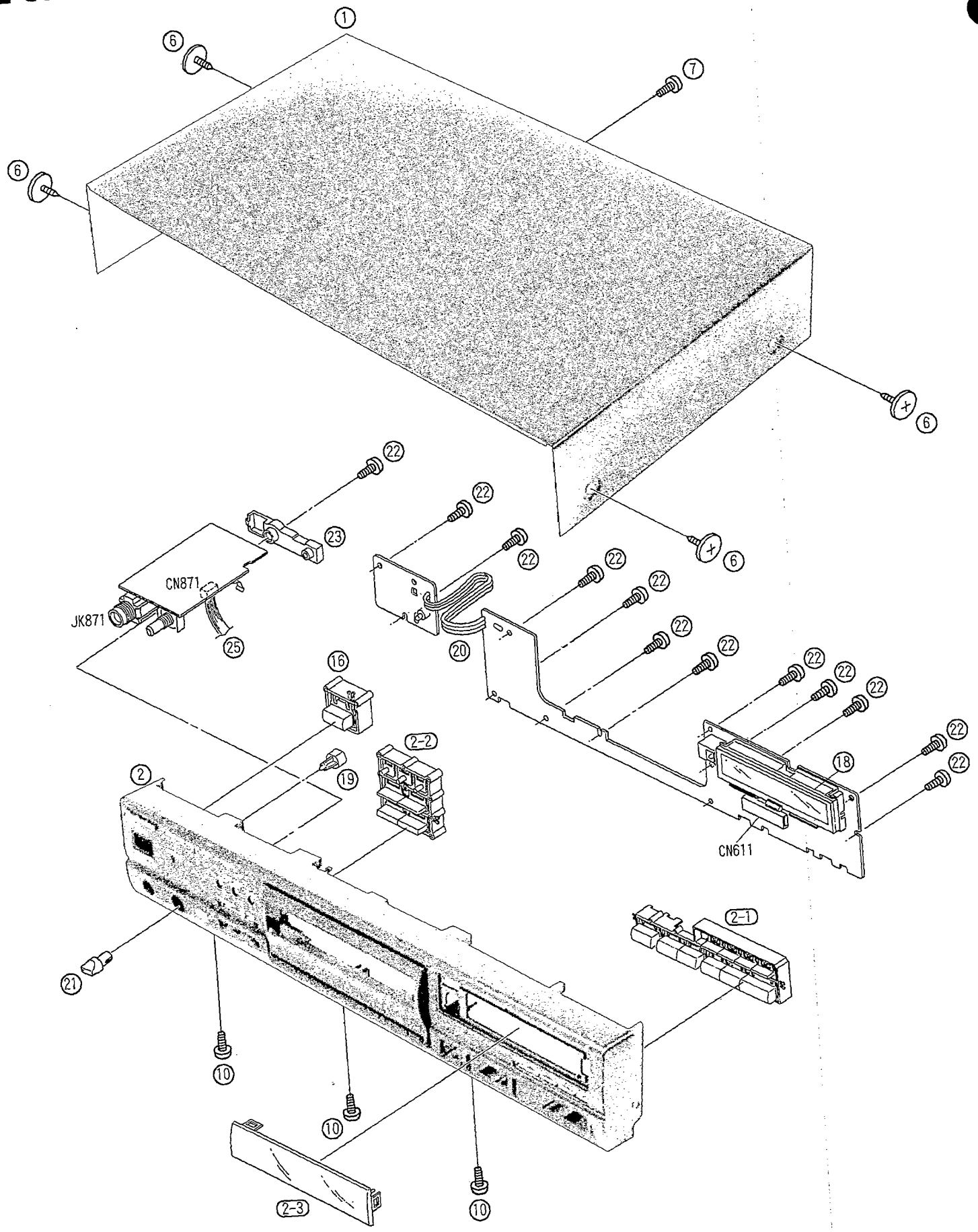
Ref. No.	Part No.	Part Name & Description	Remarks	Ref. No.	Part No.	Part Name & Description	Remarks
		INTEGRATED CIRCUIT (S)		D601-606	1SS254TA	DIODE	
				D651	SLR-305LC	LED	
				D701	1SS254TA	DIODE	
IC11	LM2940T5	IC, REGULATOR	Δ	D801-804	1SS254TA	DIODE	
IC401	UPD78042A014	IC, SYSTEM CONTROL	[MB]	D861	1SS254TA	DIODE	
IC651	RCDHC-212	IC, REMOTE SENSOR				VARIABLE RESISTOR (S)	
IC701	AN8805SBE1	IC, SERVO AMP	[MB]				
IC702	MN662713RG1	IC, SERVO PROCESSOR	[MB]	VR871	EWCU1AF15A15	V. R. HEADPHONES LEVEL	[MB]
IC703	AN8389SE1	IC, MOTOR DRIVE				COIL (S)	
IC781	TA7291SA	IC, MOTOR DRIVE					
IC801	BA4560FE1	IC, L. P. F. AMP	[MB]	L871, 872	RLQZN3R3KL-D	COIL	[MB]
IC871	BA4560N	IC, HEADPHONES AMP.		L874	RLQZN4R7KL-D	COIL	
		TRANSISTOR (S)				TRANSFORMER (S)	
Q11	2SD2037EFTA	TRANSISTOR	Δ	T1	RTP1K4B024	POWER TRANSFORMER	Δ [MB]
Q12	2SD1862QSTV6	TRANSISTOR	[MB]			OSCILLATOR (S)	
Q13	2SB1240QSTV6	TRANSISTOR	Δ [MB]	X401	RSXY4M23M01T	OSCILLATOR	
Q14	2SA933SQR	TRANSISTOR	Δ	X701	RSXZ16M9M01T	OSCILLATOR	
Q15	2SA933SQR	TRANSISTOR				DISPLAY TUBE	
Q16	2SB1238QSTV6	TRANSISTOR	Δ	FL601	RSL0193-F	DISPLAY TUBE	[MB]
Q19, 20	2SD1450RTA	TRANSISTOR				SWITCH (ES)	
Q21	DTA124ESTP	TRANSISTOR	Δ	S601	EVQ21405R	SW, TIME MODE	
Q22	2SC1740SQ	TRANSISTOR		S602	EVQ21405R	SW, AUTO CUE	
Q51, 52	2SC1740SQ	TRANSISTOR		S603	EVQ21405R	SW, TIME FADE	
Q401, 402	2SD1862QSTV6	TRANSISTOR	Δ [MB]	S604	EVQ21405R	SW, PEAK SEARCH	
Q751	2SA933SQR	TRANSISTOR		S605	EVQ21405R	SW, RANDAM	
Q752	2SC1740SQ	TRANSISTOR		S607	EVQ21405R	SW, 2	
Q801, 802	2SD1450RTA	TRANSISTOR		S606	EVQ21405R	SW, 1	
Q803, 804	2SC1740SQ	TRANSISTOR		S608	EVQ21405R	SW, 3	
Q851	DTA124EST	TRANSISTOR		S609	EVQ21405R	SW, 4	
Q853	DTA114ESTP	TRANSISTOR		S610	EVQ21405R	SW, 5	
Q871, 872	2SD1450RTA	TRANSISTOR		S611	EVQ21405R	SW, 0	
		DIODE (S)		S612	EVQ21405R	SW, 9	
D11-18	1D3-E	DIODE	Δ [MB]	S613	EVQ21405R	SW, 8	
D19	MA4330MTA	DIODE	Δ	S614	EVQ21405R	SW, 7	
D20	1SS254TA	DIODE		S615	EVQ21405R	SW, 6	
D21	MA4082MTA	DIODE	Δ				
D22	MA4091-M	DIODE	Δ				
D25, 26	1SS254TA	DIODE					
D51	MA4039MTA	DIODE					
D401	MA4056MTA	DIODE	Δ				
D402	1D3-E	DIODE	[MB]				

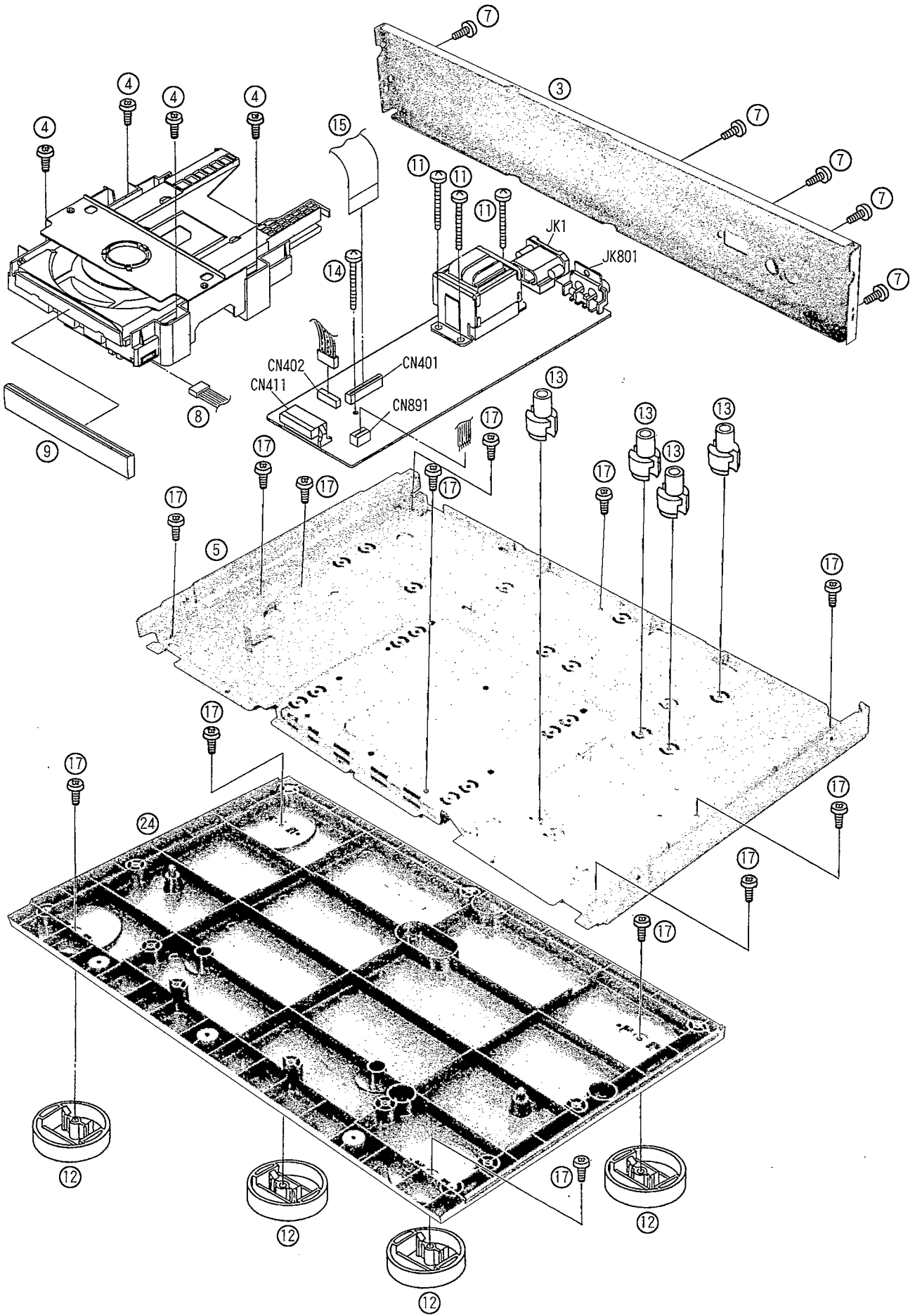
Ref. No.	Part No.	Part Name & Description	Remarks				
S618	EVQ21405R	SW, SIDE A/B					
S619	EVQ21405R	SW, TAPE LENGTH					
S620	EVQ21405R	SW, 10					
S621	EVQ21405R	SW, F. SKIP					
S622	EVQ21405R	SW, PAUSE					
S623	EVQ21405R	SW, OPEN/CLOSE					
S624	EVQ21405R	SW, PROGRAM					
S625	EVQ21405R	SW, REPEAT					
S626	EVQ21405R	SW, STOP					
S627	EVQ21405R	SW, PLAY					
S628	EVQ21405R	SW, R. SKIP					
S629	EVQ21405R	SW, CLEAR					
S630	EVQ21405R	SW, RECALL					
S651	EVQ21405R	SW, POWER					
S781	RSH1A005	SW, TRAY OPEN DET.					
S782	RSH1A005	SW, TRAY CLOSE DET.					
		CONNECTOR (S)					
CN401	RJS1A6823	SOCKET (23P)					
CN402	RJT029W06VT	CONNECTOR (6P)					
CN411	RJU076W24M1	SOCKET (24P)	[MB]				
CN611	RJT076W24M	SOCKET (24P)	[MB]				
CN701	RJS12Q9ZA	SOCKET (12P)	[MB]				
CN702	RJS1A6723-1Q	SOCKET (23P)					
CN703	RJT029W06VT	CONNECTOR (6P)					
CN781	RJP6G17ZA	PLUG (6P)					
CN871	RJS2A2107T	SOCKET (7P)	[MB]				
CN891	RJS2A2107T	SOCKET (7P)	[MB]				
		EARTH PLATE					
GND871	RMC0184	EARTH PLATE	[MB]				
		JACK					
JK1	SJS9236	AC INLET	△				
JK801	RJH3201N	LINE OUT					
JK871	QJAD455ZC	HEADPHONES JACK					

Notes : * Capacity values are in microfarads (μF) unless specified otherwise, P=Pico-farads (pF) F=Farads (F)
 * Resistance values are in ohms, unless specified otherwise, 1K=1,000 (OHM) , 1M=1,000k (OHM)

Ref. No.	Part No.	Values & Remarks	Ref. No.	Part No.	Values & Remarks	Ref. No.	Part No.	Values & Remarks
		RESISTORS	R764	ERDS2TJ393	1/4W 39K	C716	ECBT1H561KB5	50V 560P
			R765	ERDS2TJ224T	1/4W 220K	C717	ECFR1E104ZF5	25V 0.1U
			R766	ERDS2TJ104	1/4W 100K	C718	RCQ52C0224J9	63V 0.22U [MB]
R1	ERQ16NKWR15E	1W 0.15	R772, 773	ERDS2TJ220T	1/4W 22	C721, 722	ECBT1H270J5	50V 27P
R12, 13	ERDS2TJ102	1/4W 1K	R775, 776	ERDS2TJ392T	1/4W 3.9K	C723	ECEAOJKA221I	6.3V 220U
R14	ERDS2TJ103	1/4W 10K	R777	ERDS2TJ102	1/4W 1K	C724	ECFR1E104ZF5	25V 0.1U
R15	ERDS2TJ822	1/4W 8.2K	R801, 802	ERDS2TJ102	1/4W 1K	C725, 726	ECBT1H102KB5	50V 1000P
R16	ERDS2TJ680T	1/4W 68	R803, 804	ERDS2TJ224T	1/4W 220K	C727, 728	ECEA1HKA010I	50V 1U
R17	ERDS2TJ331	1/4W 330	R805, 806	ERDS2TJ822	1/4W 8.2K	C730	ECFR1E104ZF5	25V 0.1U
R18	ERDS2TJ473	1/4W 47K	R807, 808	ERDS2TJ123	1/4W 12K	C731, 732	ECEAOJKA221I	6.3V 220U
R19	ERDS2TJ472	1/4W 4.7K	R809-812	ERDS2TJ333	1/4W 33K	C733	ECFR1E104ZF5	25V 0.1U
R23	ERDS2TJ103	1/4W 10K	R813, 814	ERDS2TJ331	1/4W 330	C734	ECEA1AKA221I	10V 220U
R28-30	ERDS2TJ103	1/4W 10K	R815, 816	ERDS2TJ102	1/4W 1K	C735-737	ECBT1E223ZF	25V 0.022U
R51	ERDS2TJ331	1/4W 330	R817, 818	ERDS2TJ473	1/4W 47K	C738	ECFR1C183KR	16V 0.018U
R52	ERDS2TJ272T	1/4W 2.7K	R819, 820	ERDS2TJ100	1/4W 10	C739	ECBT1C152MR5	16V 1500P
R53, 54	ERDS2TJ472	1/4W 4.7K	R821, 822	ERDS2TJ471	1/4W 470	C740	ECBT1C272MR5	16V 2700P
R401	ERDS2TJ102	1/4W 1K	R852	ERDS2TJ222	1/4W 2.2K	C742	ECFR1C273KR	16V 0.027U
R403, 404	ERDS2TJ103	1/4W 10K	R871, 872	ERDS2TJ473	1/4W 47K	C743	ECBT1E223ZF	25V 0.022U
R405, 406	ERDS2TJ221	1/4W 220	R873-876	ERDS2TJ104	1/4W 100K	C744	ECBT1C822MS5	16V 8200P
R407	ERDS2TJ101	1/4W 100	R885, 886	ERDS2TJ222	1/4W 2.2K	C747, 748	ECBT1C103NS5	16V 0.01U
R408-411	ERDS2TJ103	1/4W 10K	R887, 888	ERDS2TJ101	1/4W 100	C751	ECEA1CKA100I	16V 10U
R451-455	ERDS2TJ471	1/4W 470	R889, 890	ERDS2TJ473	1/4W 47K	C752	ECFR1E104ZF5	25V 0.1U
R601	ERDS2TJ180T	1/4W 18				C765	ECBT1H331KB5	50V 330P
R651	ERDS2TJ221	1/4W 220			CAPACITORS	C766	ECBT1H391KB5	50V 390P
R701	ERDS2TJ561	1/4W 560				C767	ECEA1HKM010I	50V 1U
R703	ERDS2TJ823T	1/4W 82K	C1	ECFTD103KXL	50V 0.01U	C768	ECFR1E682KR	25V 6800P
R707, 708	ERDS2TJ334	1/4W 330K	C10	ECFR1E104ZF5	25V 0.1U	C769	ECBT1C222MR5	16V 2200P
R709	ERDS2TJ683	1/4W 68K	C11 Δ	ECA1CM222B	16V 2200U	C772-775	ECFR1E104ZF5	25V 0.1U
R711	ERDS2TJ154	1/4W 150K	C12	ECBT1C103NS5	16V 0.01U	C776	ECBT1H180J5	50V 18P
R712	ERDS2TJ221	1/4W 220	C14	ECEAOJKA470B	6.3V 47U	C777	ECBT1H680J5	50V 68P
R717, 718	ERDS2TJ102	1/4W 1K	C15 Δ	ECA1EPXS101B	25V 100U	C781	ECEA1AKA101I	10V 100U
R721	ERDS2TJ101	1/4W 100	C16 Δ	ECA1EPXS331B	25V 330U [MB]	C803-806	ECBT1H391KB5	50V 390P
R722	ERDS2TJ683	1/4W 68K	C17, 18	ECEA1HU101	50V 100U	C807, 808	ECA1CPXS470B	16V 47U
R723	ERDS2TJ183T	1/4W 18K	C19	ECEA1EU101	25V 100U	C809, 810	ECBT1H102KB5	50V 1000P
R724	ERDS2TJ393	1/4W 39K	C20, 21	ECA1EPXS101B	25V 100U	C817	ECFR1E104ZF5	25V 0.1U
R725	ERDS2TJ472	1/4W 4.7K	C22	ECEA1AU331	10V 330U	C871, 872	ECEA1ERN3R3B	25V 3.3U
R726	ERDS2TJ474	1/4W 470K	C401	ECBT1C103NS5	16V 0.01U	C873, 874	ECQB1H103JF3	50V 0.01U
R727	ERDS2TJ153	1/4W 15K	C402	ECEAOJU102	6.3V 1000U	C875-880	ECBT1C103NS5	16V 0.01U
R728	ERDS2TJ822	1/4W 8.2K	C404	ECBT1C103NS5	16V 0.01U	C881, 882	ECEA1AN101XB	10V 100U
R731	ERDS2TJ223	1/4W 22K	C405	ECEAOJKA101B	6.3V 100U			
R732	ERDS2TJ183T	1/4W 18K	C451-455	ECBT1H101KB5	50V 100P			
R733	ERDS2TJ822	1/4W 8.2K	C703	ECEAOJKA101I	6.3V 100U			
R735, 736	ERDS2TJ101	1/4W 100	C704	ECFR1E104ZF5	25V 0.1U			
R745	ERDS2TJ155	1/4W 1.5M	C705	ECEA1HKA010I	50V 1U			
R751	ERDS2TJ102	1/4W 1K	C706	ECBT1H101KB5	50V 100P			
R752, 753	ERDS2TJ392T	1/4W 3.9K	C707	ECFR1C273KR	16V 0.027U			
R754	ERDS2TJ103	1/4W 10K	C708	ECBT1C472MR5	16V 4700P			
R761, 762	ERDS2TJ103	1/4W 10K	C709	ECFR1C473KR	16V 0.047U			
R763	ERDS2TJ823T	1/4W 82K	C714	ECEAOJKA101I	6.3V 100U			

■ Cabinet Parts Location



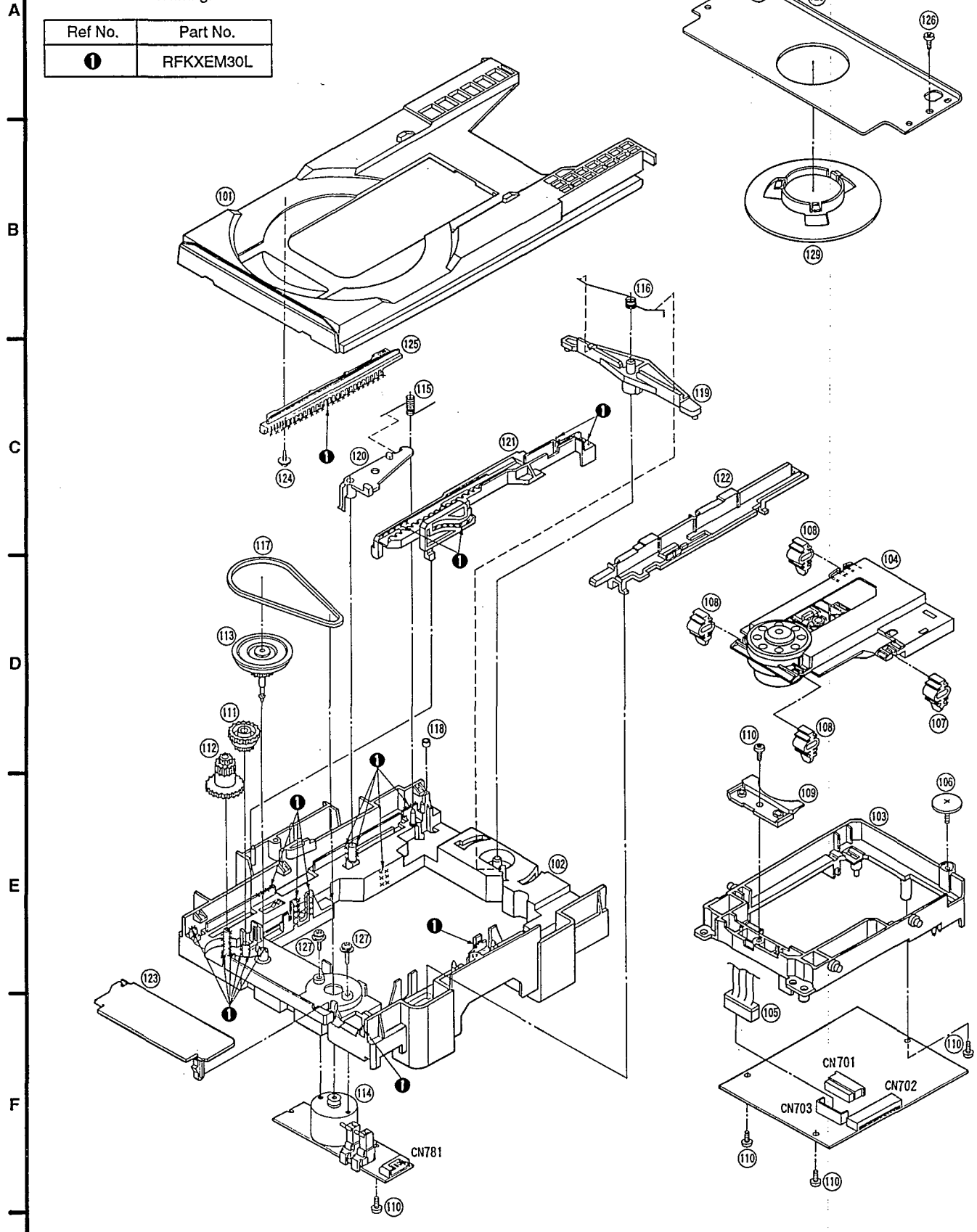


Loading Unit Parts Location

Note:

When changing mechanism parts, apply the specified grease to areas marked "xx" as shown in the drawing.

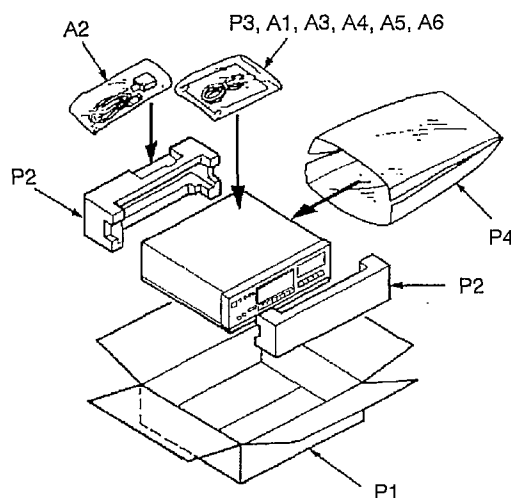
Ref No.	Part No.
①	RFKXEM30L



Note: The reference number SA represent the grease and tool used for this unit.

Ref. No.	Part No.	Part Name & Description	Remarks	Ref. No.	Part No.	Part Name & Description	Remarks
		CABINET PARTS				LOADING UNIT PARTS	
1	RKMO098-K	CABINET	[MB]	101	RGQ0130-K	TRAY	[MB]
2	RYPO566Z-K	FRONT PANEL ASS' Y	[MB]	102	RFKJLPG460AE	MECHANISM CHASSIS ASS' Y	[MB]
2-1	RGU1197-K	MAIN BUTTON	[MB]	103	RMRO719-W1	MTD. CHASSIS	[MB]
2-2	RGU1198-K	SUB BUTTON	[MB]	104	RAE1100Z-1	TRAVERSE UNIT	[MB]
2-3	RKWO377-R	FL PANEL	[MB]	105	REX0576	CABLE ASS' Y	[MB]
3	RFKHLPG570AE	REAR PANEL	(EB) [MB]	106	RHD30047	SCREW	[MB]
3	RGR0154E-A	REAR PANEL	(E, EG, ER) [MB]	107	RMG0337-K	DAMPING RUBBER	[MB]
3	RGR0154E-D	REAR PANEL	(EZ) [MB]	108	RMG0337-Q	DAMPING RUBBER	[MB]
4	XTB3+8JFZ	SCREW		109	RMRO750-W	STOPPER	[MB]
5	RMK0179-2	BOTTOM CHASSIS	[MB]	110	XTBS26+8J	SCREW	
6	RHD30035-K1	SCREW		111	RDG0142	RELAY GEAR	
7	XTBS3+8JFZ1	SCREW		112	RDG0259	DRIVE GEAR	[MB]
8	REX0577	CABLE ASS' Y (6P)	[MB]	113	RDPO065	RELAY PULLY	
9	RGK0703-K	ORNAMENT	[MB]	114	REMO047	MOTOR ASS' Y	[MB]
10	XTB3+10JFZ	SCREW		115	RME0063	LOCK LEVER SPRING	
11	RHD30053	SCREW	[MB]	116	RME0087	ASSIST SPRING	
12	RKAO040B-K1	FOOT	[MB]	117	RMG0158	BELT	
13	RMRO377-1	P. C. B. SUPPORT	[MB]	118	RMG0338-Q	STOPPER RUBBER	[MB]
14	XTB3+20JFZ	SCREW		119	RML0177	CHANGE LEVER	
15	RWJ5223130EE	FFC (23P)	[MB]	120	RML0178-1	LOCK LEVER	
16	RGU1029-K	POWER BUTTON	[MB]	121	RMMD112	SLIDE PLATE 1	[MB]
17	XTB3+10GFZ	SCREW		122	RMMD113	SLIDE PLATE 2	[MB]
18	RMRI825-K	FL HOLDER	[MB]	123	RMRO721-K	GEAR COVER	[MB]
19	RGL0267-Q	LED INDICATOR	[MB]	124	RHD20009-1	SCREW	
20	RWJ1803150KK	FLAT CABLE (3P)		125	RFKNLPG460AA	DRIVE RACK ASS' Y	[MB]
21	RGW0048	H. P. VOLUME KNOB		126	XTB3+8JFZ	SCREW	
22	RHD26021	SCREW	[MB]	127	XYN2+F6FZ	SCREW	
23	RMNO306	HOLDER	[MB]	128	RFKNLPG460AB	CLAMP BASE ASS' Y	[MB]
24	RKU0052-K1	BOTTOM BASE	[MB]	129	RFKNLPG460AC	CLAMPER ASS' Y	[MB]
25	RWJ6807450XX	FLAT CABLE (7P)	[MB]			GREASE OR TOOL	
		PACKING MATERIALS		SA1	RFKXEM30L	GREASE	
P1	RPC2353	PACKING CASE	[MB]	SA2	SZZP1054C	TEST DISC	
P2	RPND860	CUSHION	[MB]				
P3	XZB23X35C03	PROTECTION COVER					
P4	SPP730	PROTECTION COVER					
		ACCESSORIES					
A1	EUR643900	REMOTE CONTROL	[MB]				
A1-1	UR64EC1638	BATTERY COVER	[MB]				
A2	RJAO044-C	AC MAINS LEAD	(EB) [MB] △				
A2	RJAO043-C	AC MAINS LEAD	(E, EG, EZ, ER) [MB] △				
A3	RFKSLPG570AE	INSTRUCTION MANUAL	(E, ER) [MB]				
A3	RQT2738-B	INSTRUCTION MANUAL	(EB) [MB]				
A3	RQT2739-D	INSTRUCTION MANUAL	(EG) [MB]				
A3	RFKSLPG470AZ	INSTRUCTION MANUAL	(EZ) [MB]				
A4	SJP2276	STEREO CONNECTION CABLE					
A5	RQA0013	WARRANTY CARD					
A6	RQCB0169	SERVICE CENTER LIST					

■ Packaging







1014