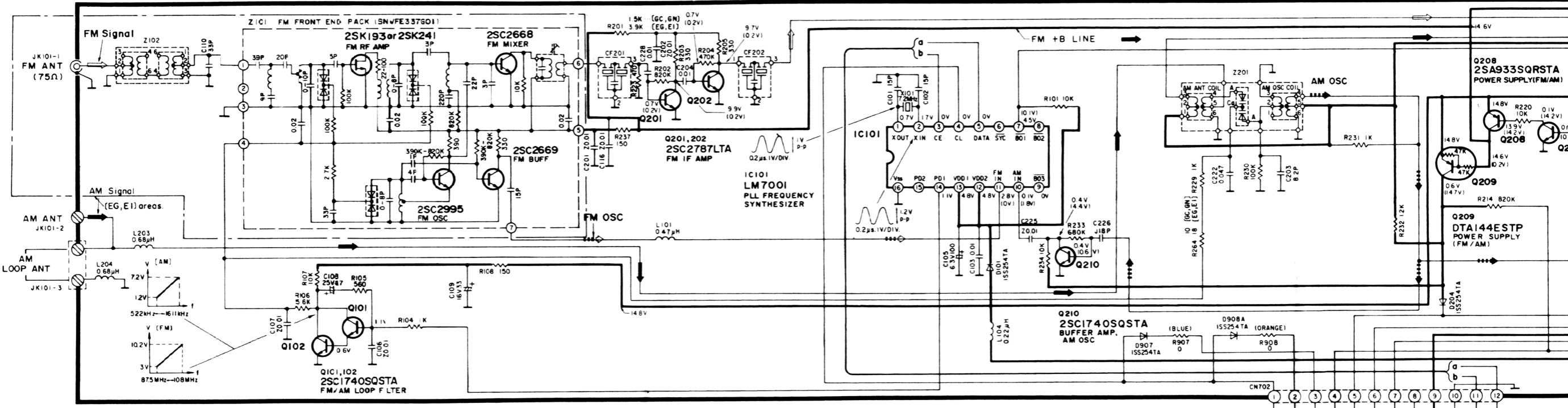
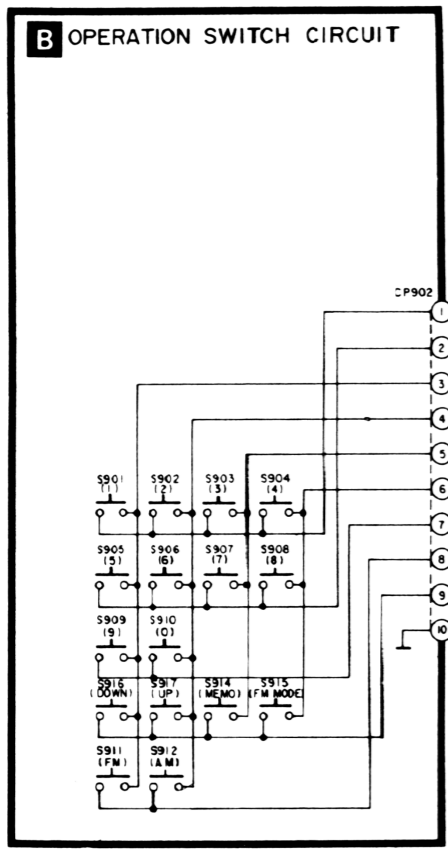


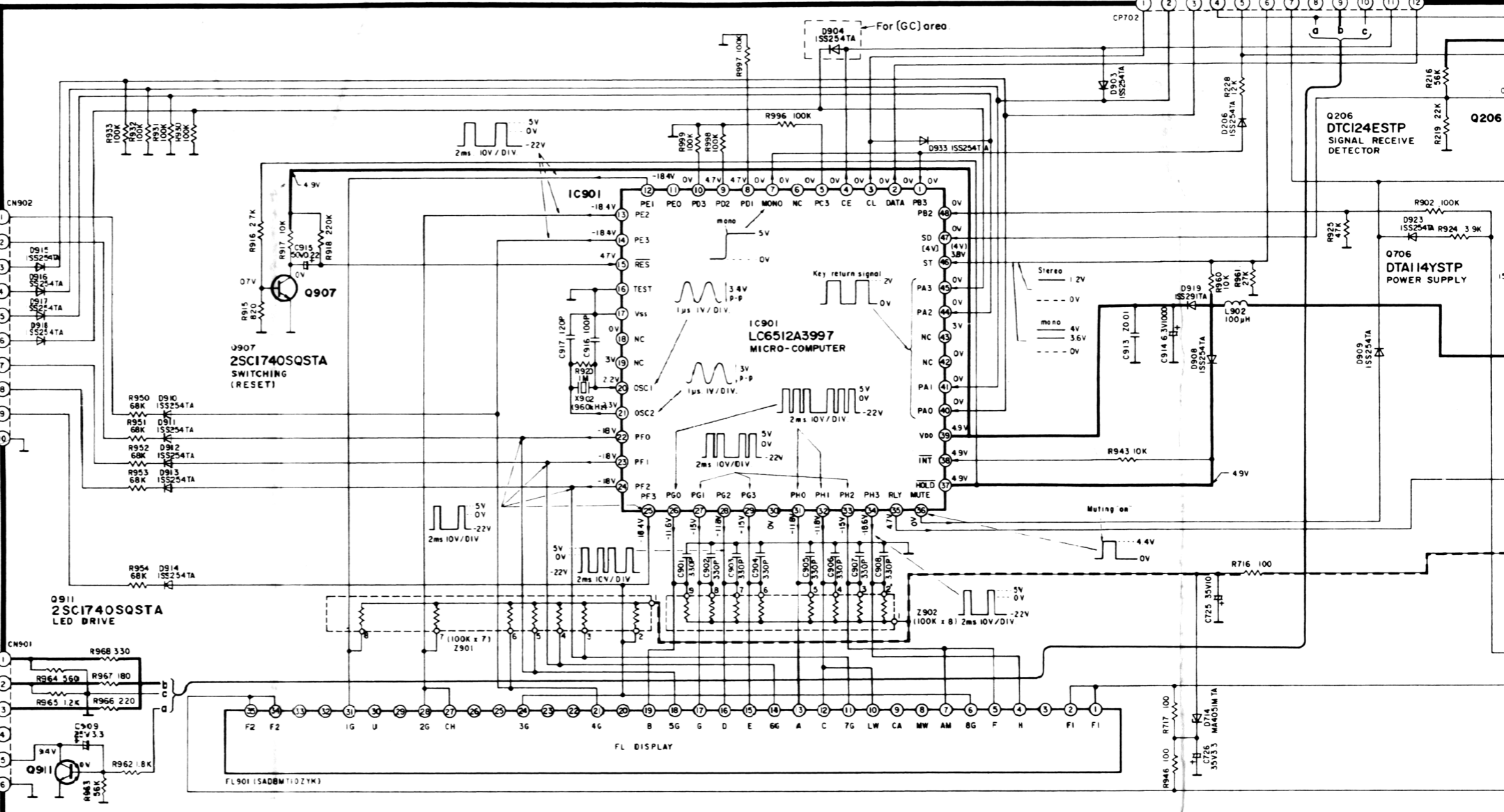
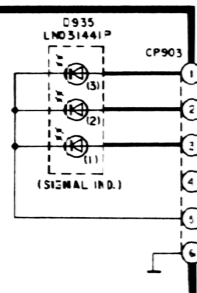
A MAIN CIRCUIT



B OPERATION SWITCH CIRCUIT



C LED CIRCUIT



D FL DRIVE CIRCUIT

