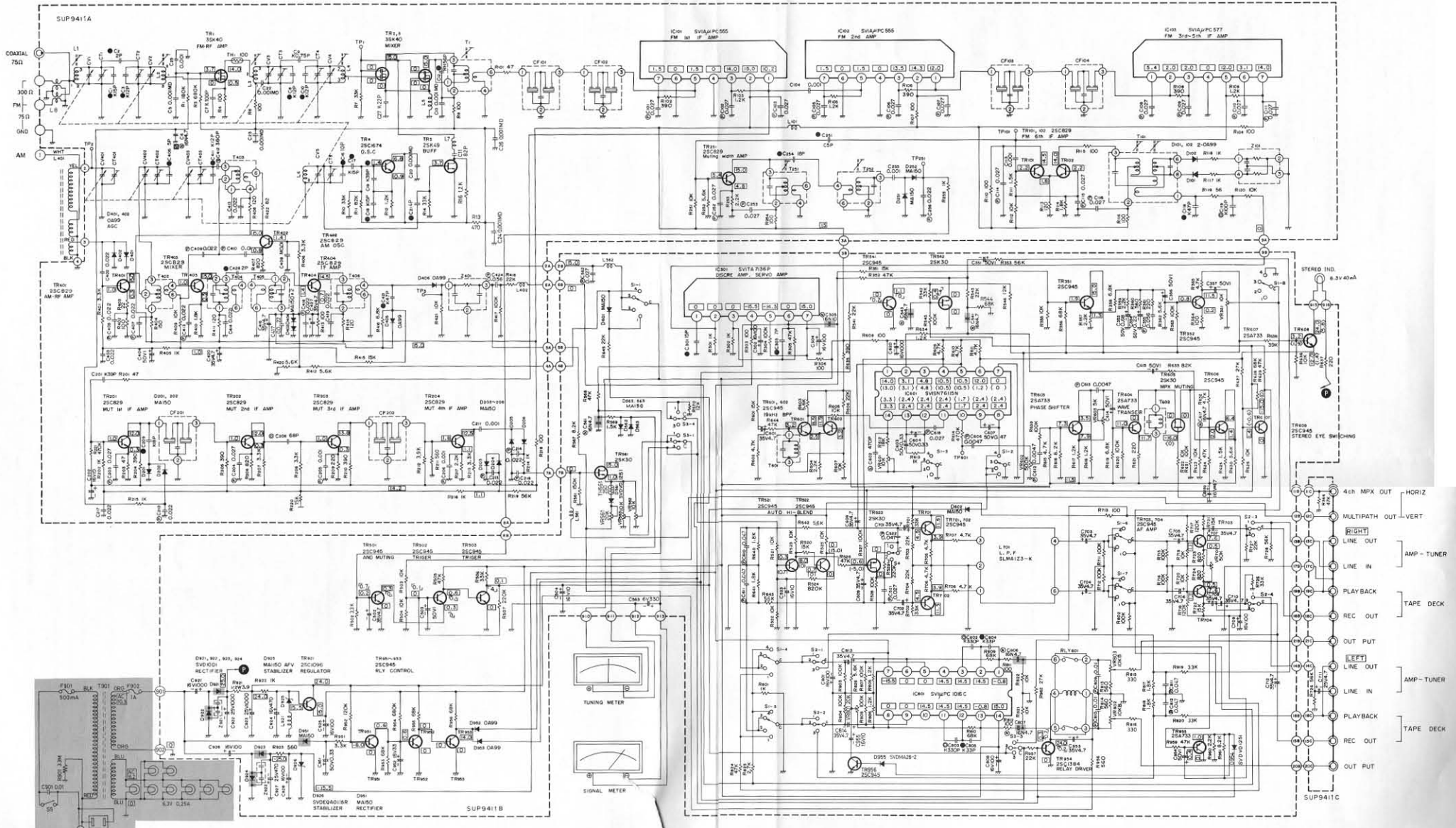


# Schematic Diagram ..... Model ST-8600

(This schematic diagram may be modified at any time with the development of new technology).



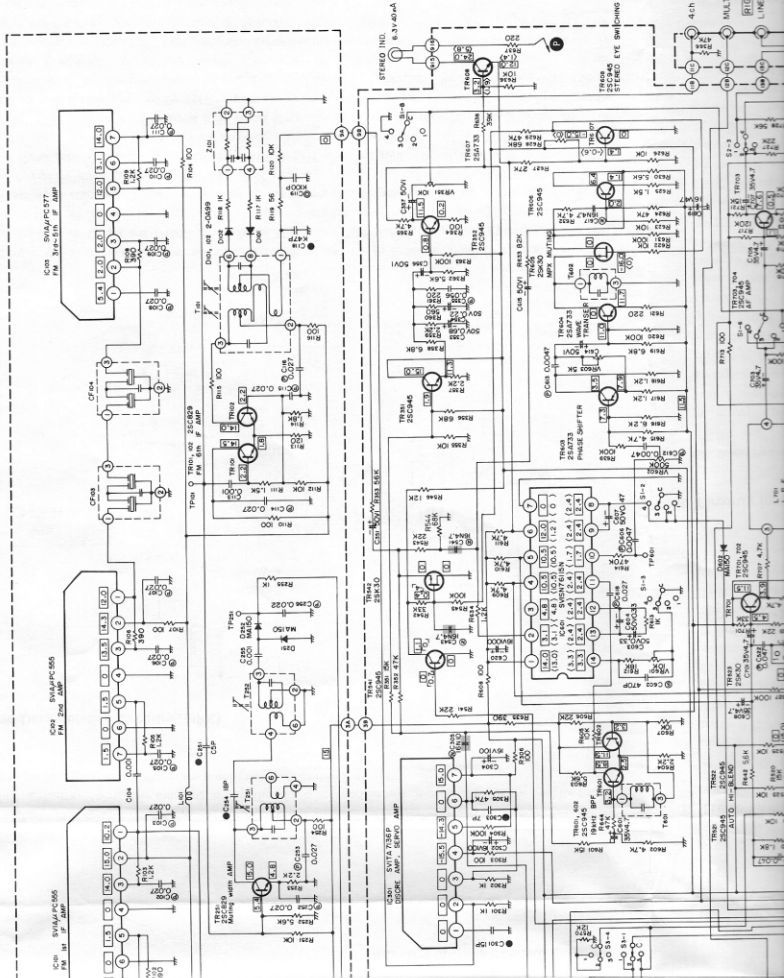
- Notes:**
- S1-1, S1-2, S1-3, S1-4, S1-5, S1-6, S1-7, S1-8:** Band selector/check switch in "FM auto" position.
    - (1) pink noise ↔ (2) FM mono ↔ (3) FM auto ↔ (4) AM
  - S2-1, S2-2, S2-3:** Tape deck recording/playback switch in "source" position.
    - (1) amp ↔ (2) source ↔ (3) tape
  - S3-1, S3-2, S3-3:** FM muting switch in "on" position.
    - (1) off ↔ (2) on ↔ (3) on (deep)
  - S4:** Mpx hi-blend switch in "auto" position.
    - (1) off ↔ (2) auto ↔ (3) manual
  - S5:** Power switch in "off" position.

- DC voltage measurements are taken with DC VTVM from chassis ground.
- Marks voltage ..... FM mono or AM signal reception
- Marks voltage ..... FM stereo signal reception
- Marks voltage ..... Muting circuit operative (muting relay to "ON" condition)
- Marks voltage ..... Mpx hi-blend switch to "off" condition

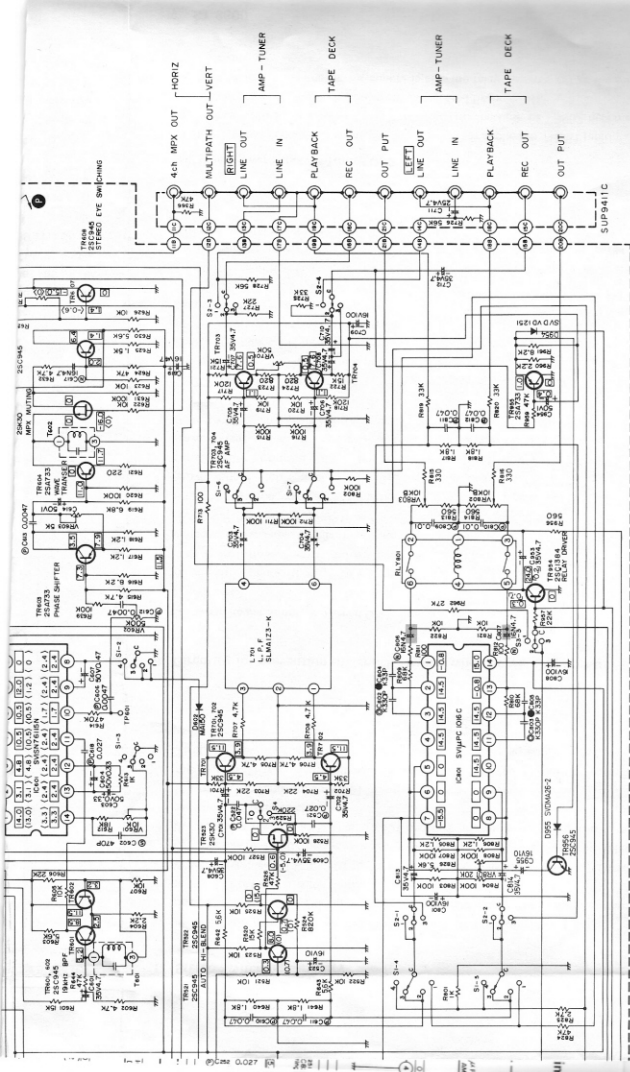
**IMPORTANT SAFETY NOTICE**  
 The shaded area on this schematic diagram incorporates special features important for SAFETY.  
 When servicing it is essential that only manufacturer's specified parts be



at any time with the development of new technology).







6. DC voltage measurements are taken with DC VTVM from chassis ground.
- Marks voltage . . . . . FM mono or AM signal reception
  - ∨ Marks voltage . . . . . FM stereo signal reception
  - Marks voltage . . . . . Muting circuit operative (muting relay to "ON" condition)
  - ( ) Marks voltage . . . . . Mpx hi-blend switch to "off" condition

- Band selector/check switch in "FM auto" position.
- noise → 2 FM mono ↔ 3 FM auto → 4 AM
- Tape deck recording/playback switch in "source" position.
- ← 2 source ↔ 3 tape
- ← 4: FM muting switch in "on" position.
- 2 on ↔ (3 on (deep)
- 2 auto ↔ 3 manual
- with in "off" position.

**IMPORTANT SAFETY NOTICE**  
 The shaded area on this schematic diagram incorporates special features important for SAFETY.  
 When servicing it is essential that only manufacturer's specified parts be used.