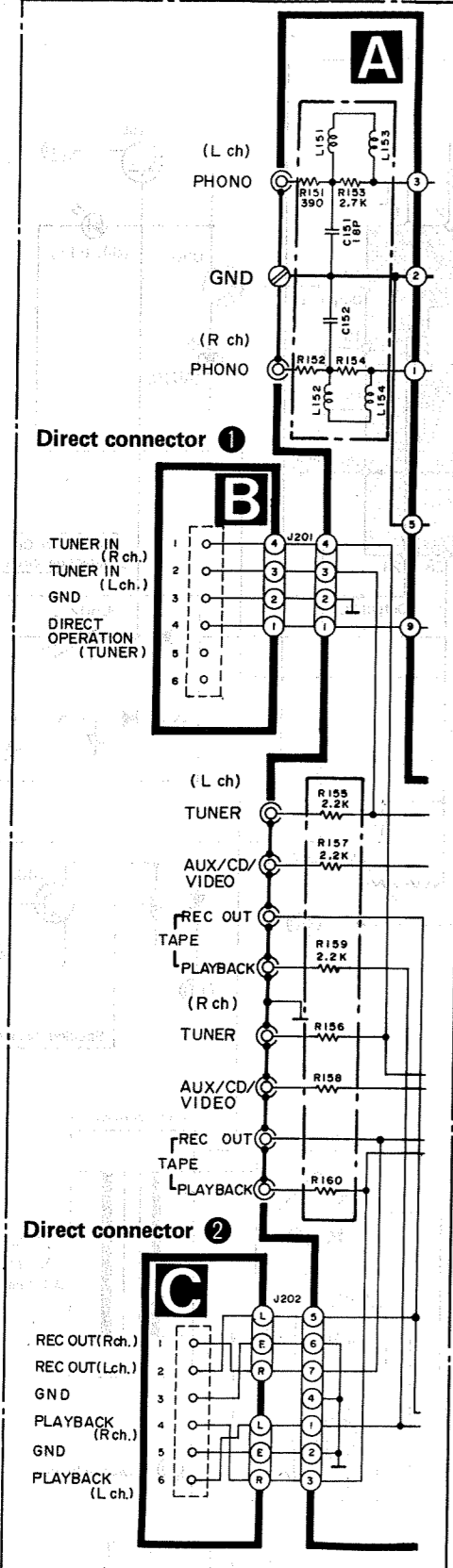
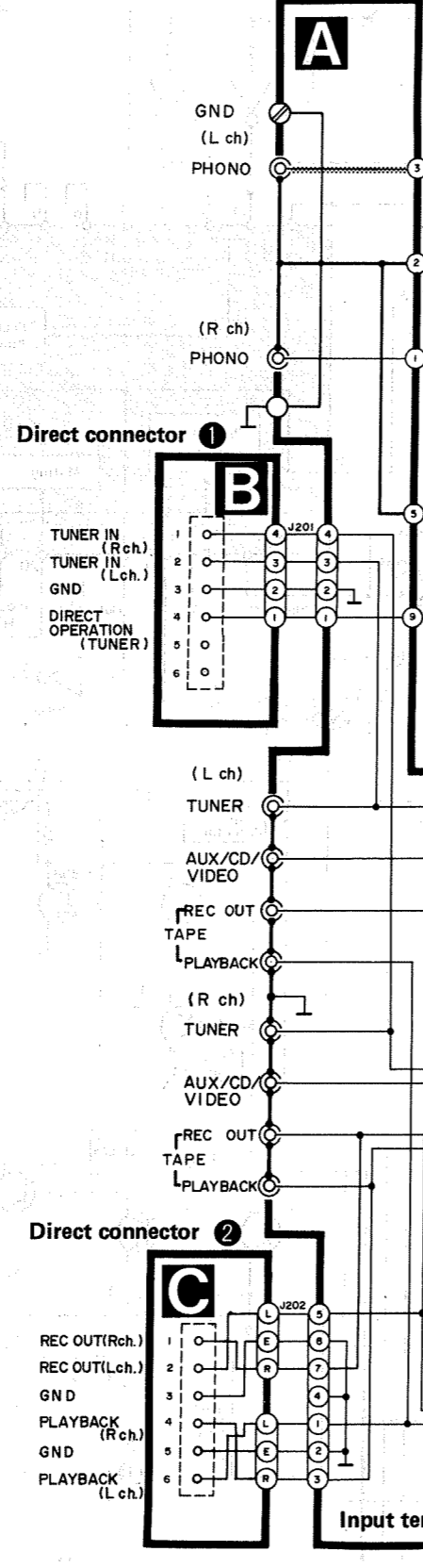


Product for [EGA] only

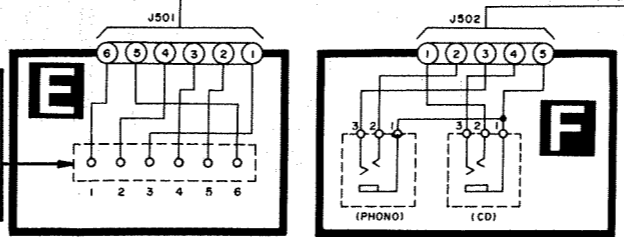
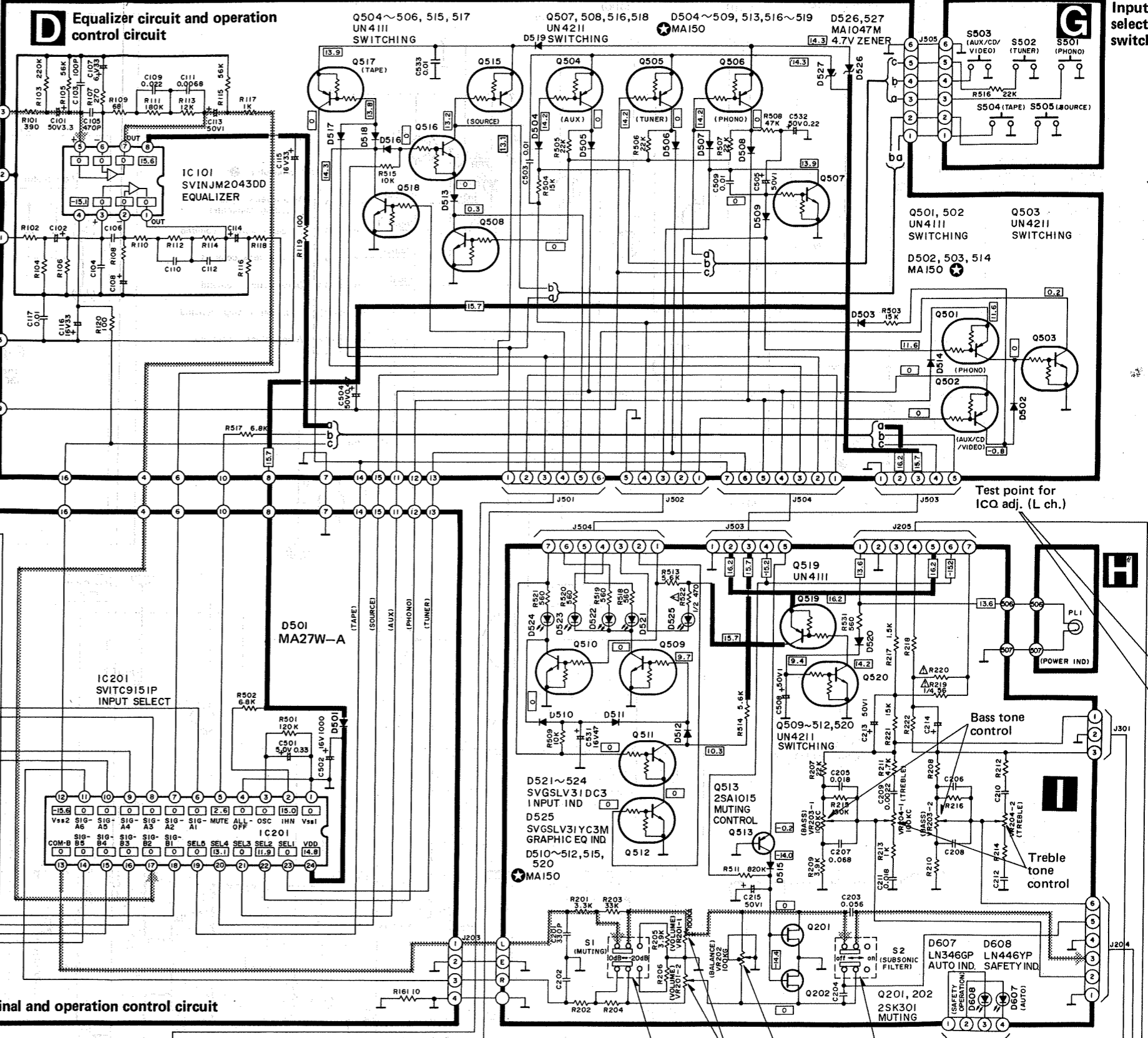
A  
B  
C  
D  
E  
F



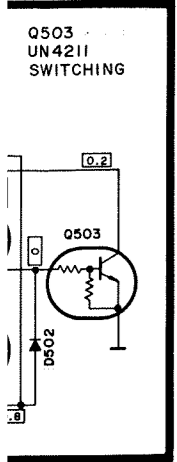
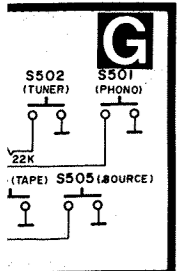
□ Addition parts



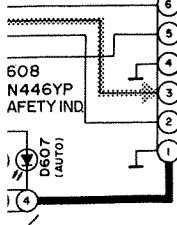
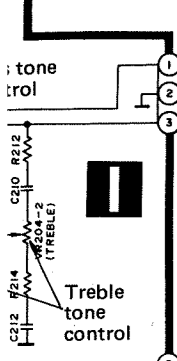
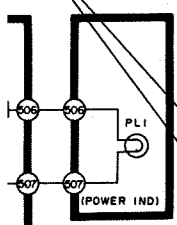
- Direct connector 3
- ① Amp → Deck synchro recording command
  - ② Equalizer → Amp command
  - ③ Amp ↔ Deck command
  - ④ Deck → Amp command
  - ⑤ Equalizer → Amp command
  - ⑥ Amp → Deck stop command
  - ⑦ Amp → Equalizer command



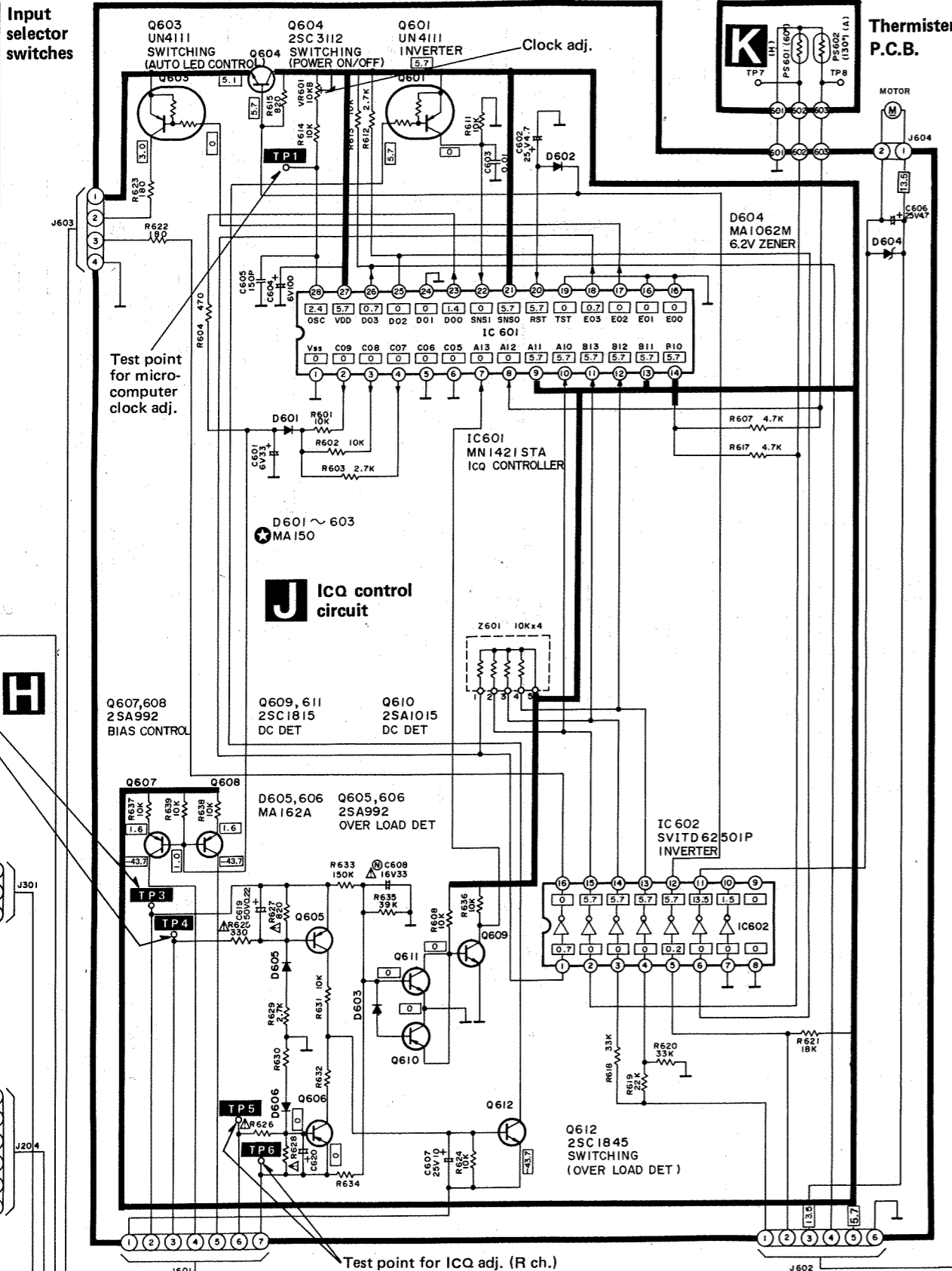
- D521: PHONO
  - D522: TUNER
  - D523: AUX/CD/VIDEO
  - D524: TAPE
  - D525: GRAPHIC EQ
- Volume control  
Balance control  
Subsonic filter switch  
Function circuit



Test point for micro-computer clock adj.

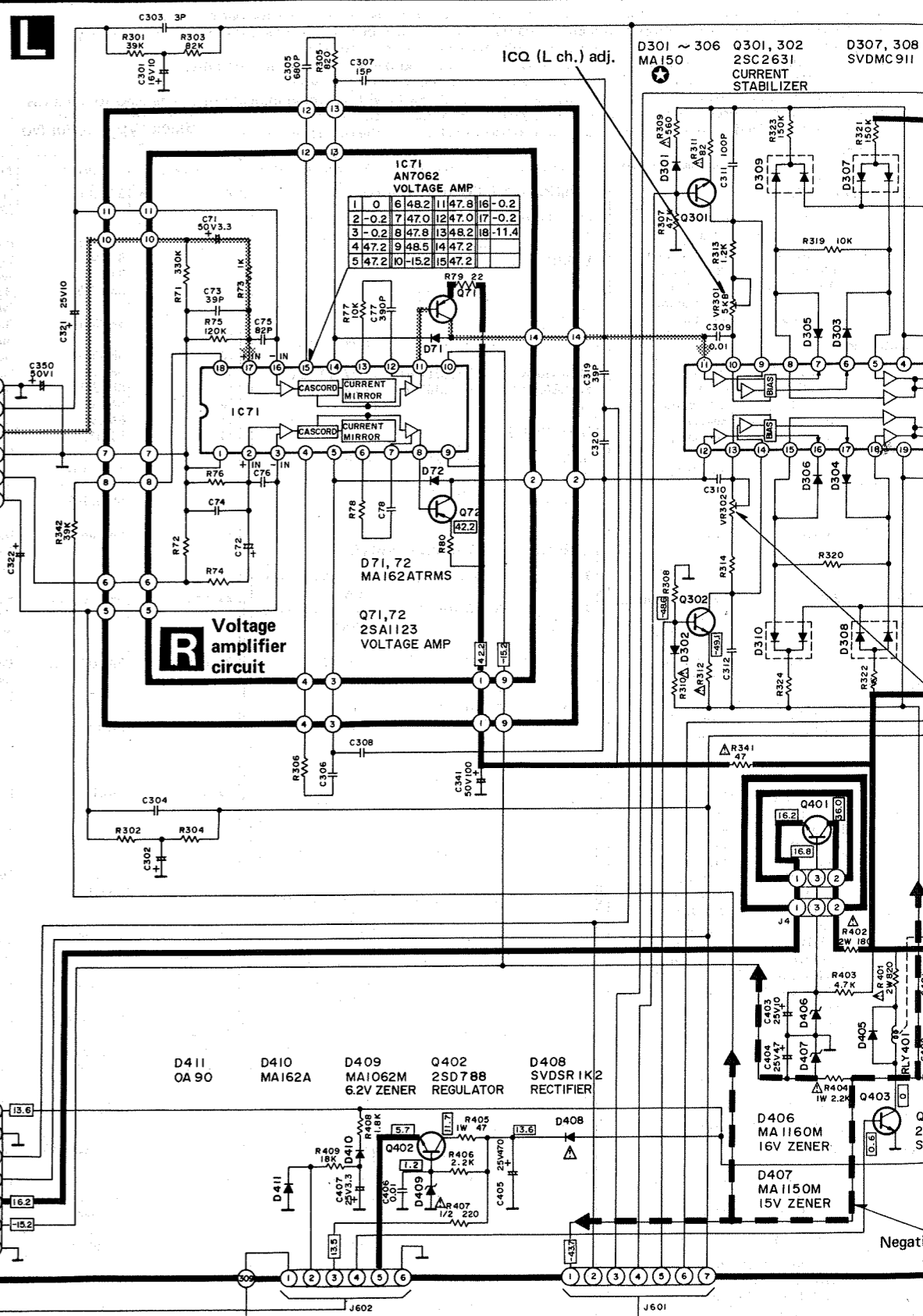


Function circuit



Thermistor P.C.B.

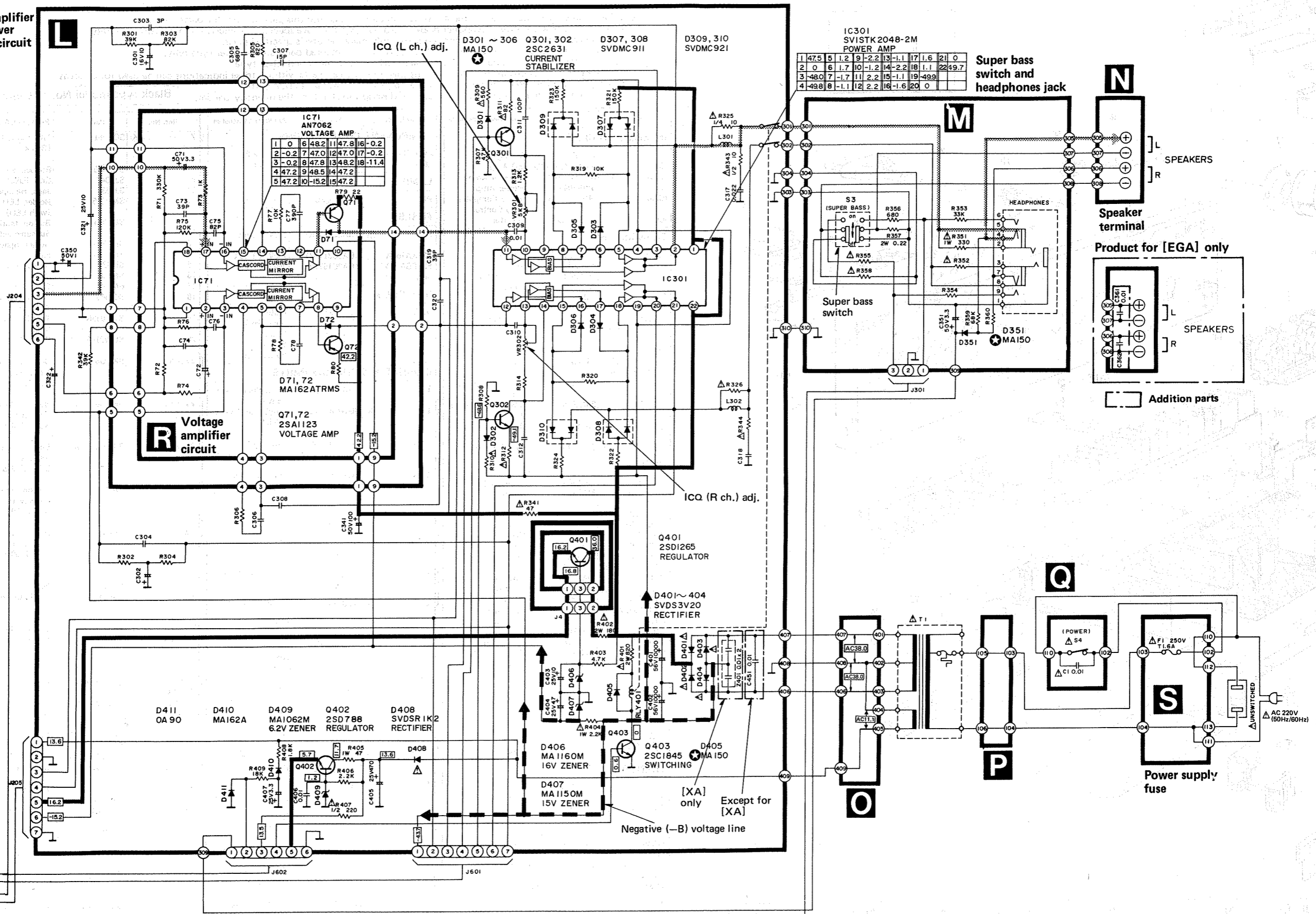
Main amplifier and power supply circuit



Pin	Value	Pin	Value	Pin	Value
1	0	6	48.2	11	47.8
2	-0.2	7	47.0	12	47.0
3	-0.2	8	47.8	13	48.2
4	47.2	9	48.5	14	47.2
5	47.2	10	-15.2	15	47.2

Negative

Main amplifier and power supply circuit



1	2	3	4	5	6	7	8	9	10	11	12	13	14	15	16	17	18	19	20	21	22
47.5	5	1.2	9	-2.2	13	-1.1	17	1.6	21	0											
2	0	6	1.7	10	-1.2	14	-2.2	18	1.1	22	49.7										
3	-48.0	7	-1.7	11	2.2	15	-1.1	19	-49.9												
4	49.8	8	-1.1	12	2.2	16	-1.6	20	0												

