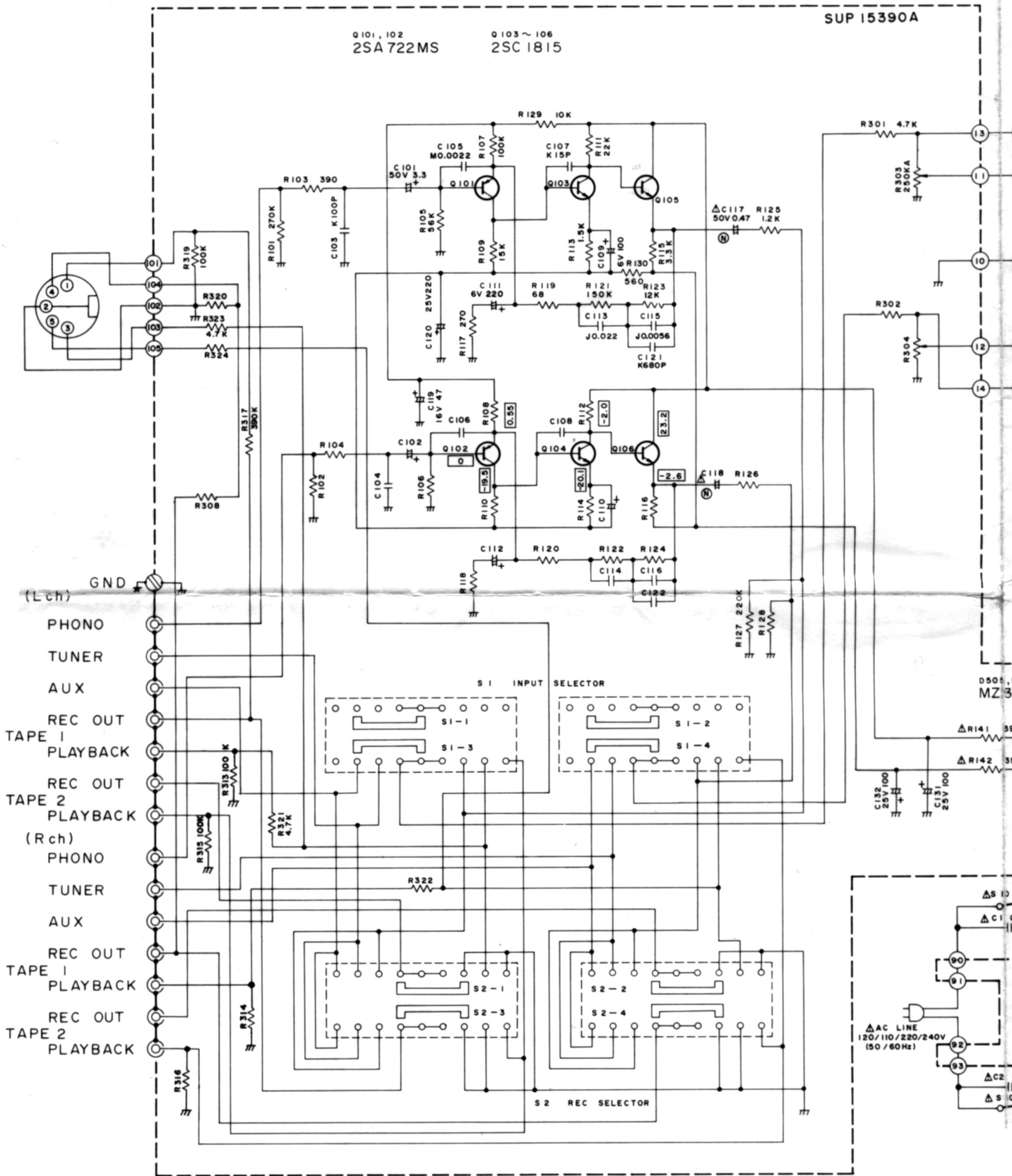
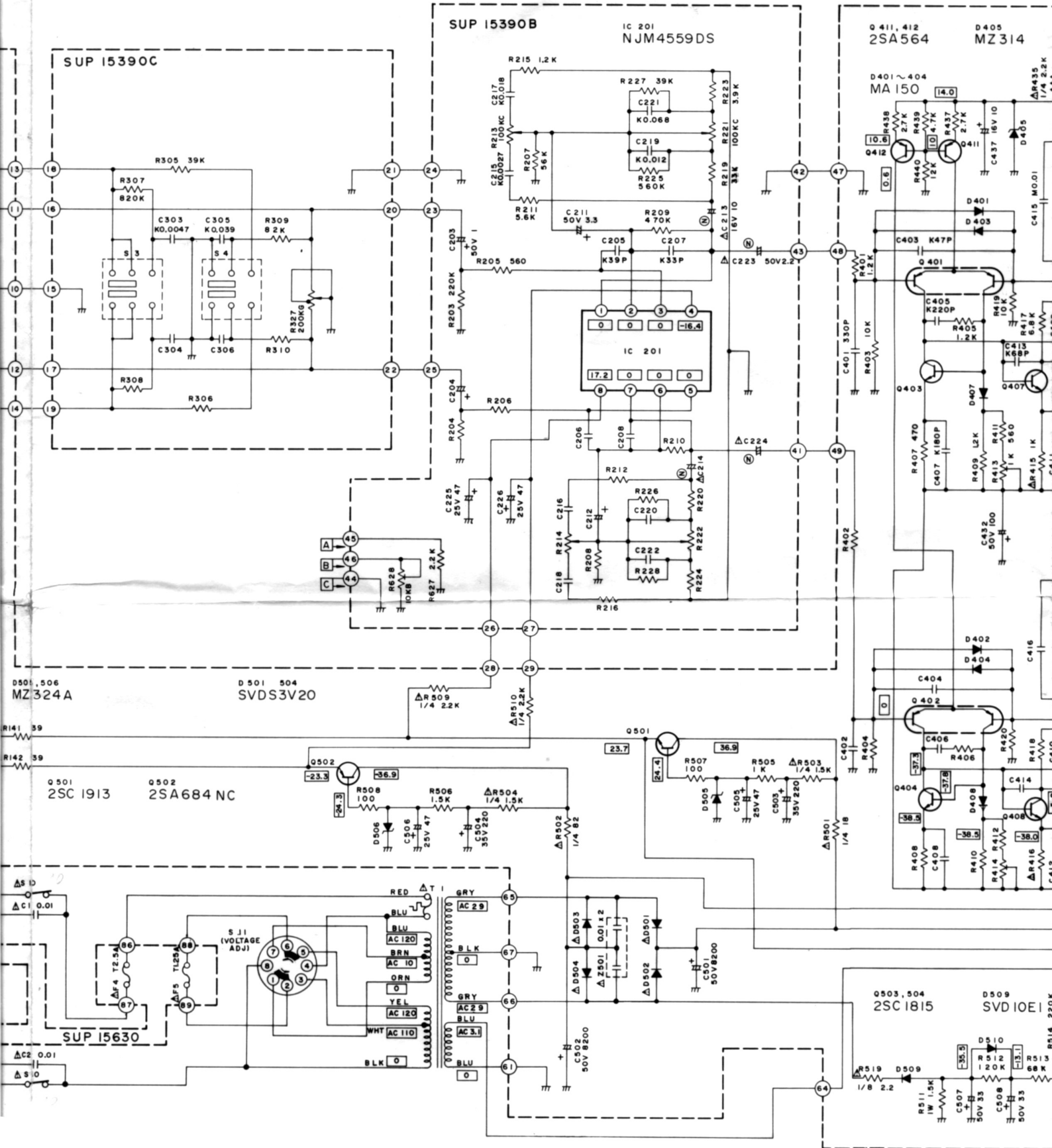


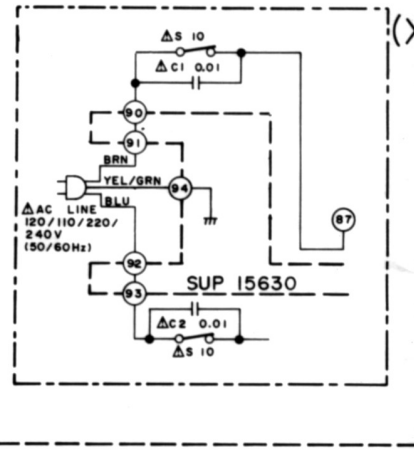
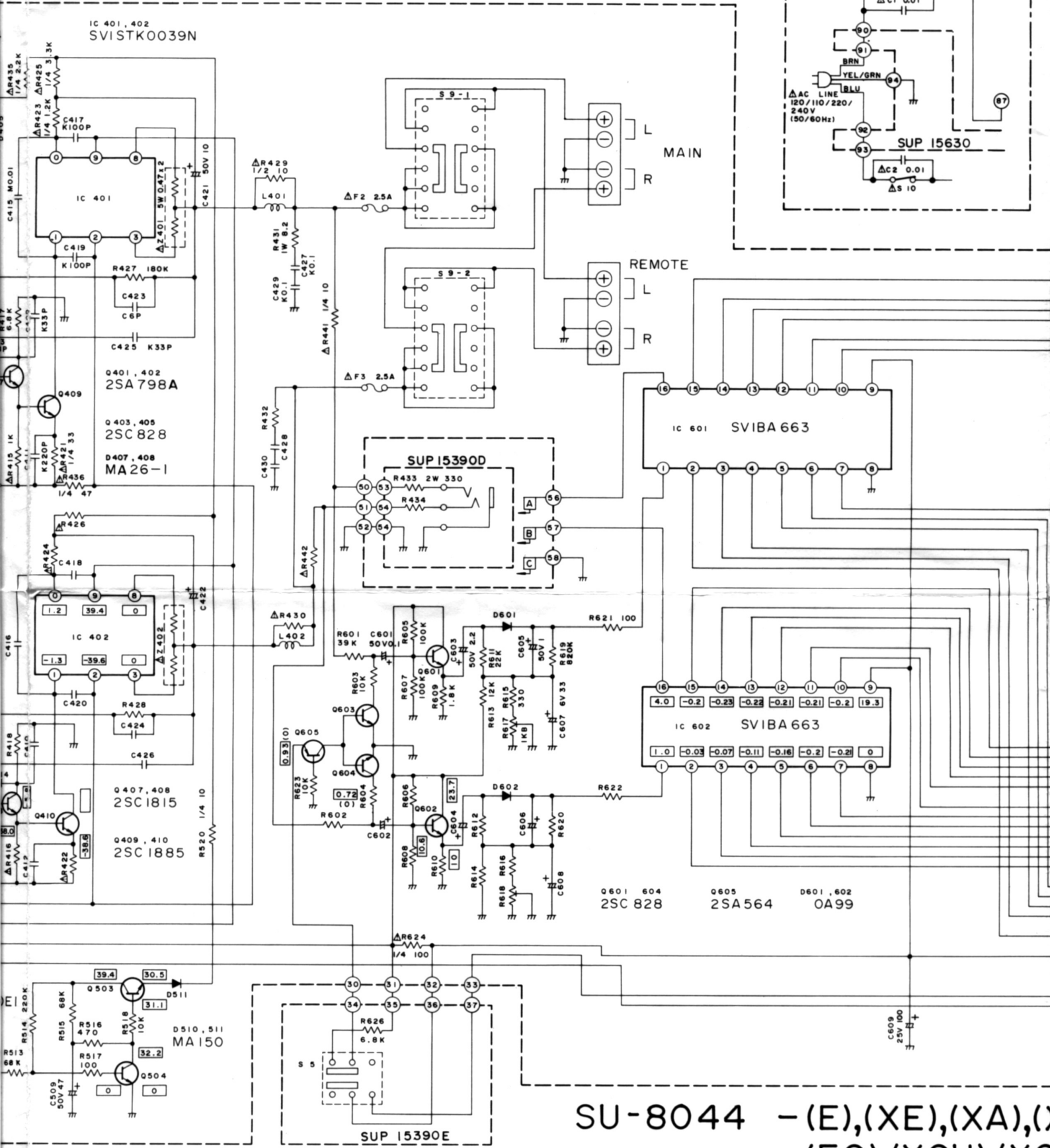
# Schematic Diagram ... Model SU-8044/SU-8044K (This



(This schematic diagram may be modified at any time with the development of new technology)

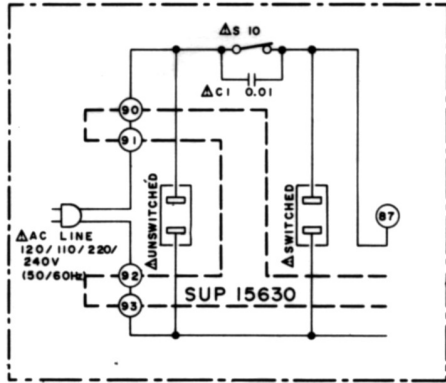
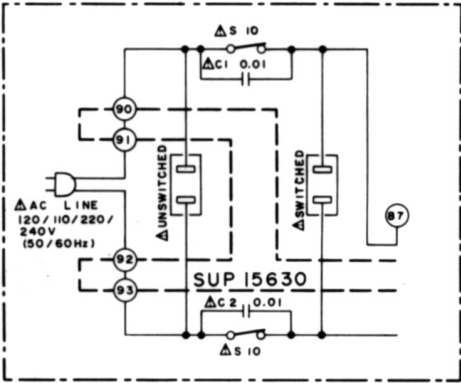


(XAL)

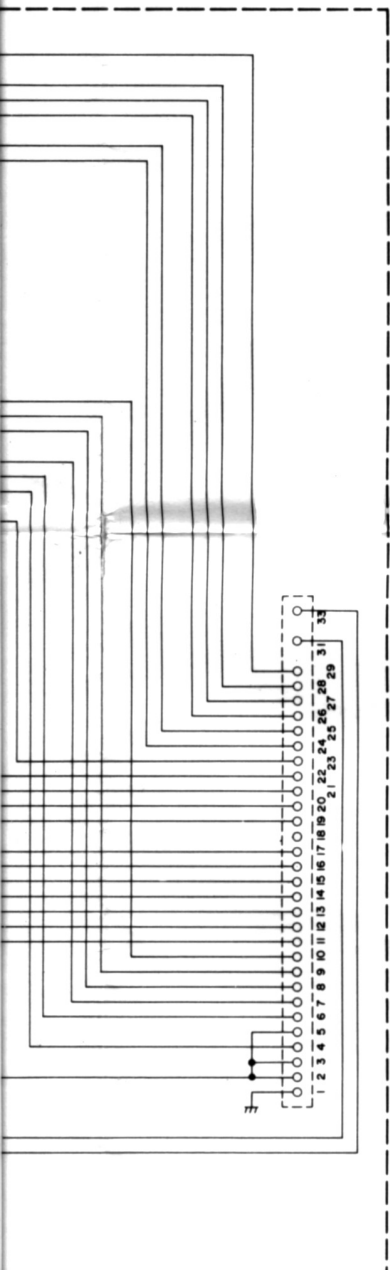


SU-8044 - (E),(XE),(XA),(X)  
 (EG),(XGH),(XG)  
 SU-8044K - (E),(XA),(XAL),(

(XA)



(FE), (ES)



NOTES

- 1, S1 Input selector switch in "PHONO" position.  
TAPE 2 → TAPE 1 → PHONO → TUNER → AUX
- 2, S2 Rec selector switch in "OFF" position.  
TAPE 2 1 → TAPE 1 2 → OFF → PHONO → TUNER → AUX
- 3, S3 High filter switch in "OFF" position.
- 4, S4 Loudness switch in "OFF" position.
- 5, S5 Range switch in "x 1" position.  
x 1 → x 0.1
- 6, S6 Speaker switch in "MAIN" position.  
OFF → MAIN → REMOTE → MAIN + REMOTE
- 7, S10 Power switch in "ON" position.
- 8, All the resistor otherwise noticed are 1/4W 5%, or 1/8W 5%, carbon film resistors.
- 9, Tolerance  
G ± 2%    J ± 5%    K ± 10%    M ± 20%
- 10, ● Shorting switch.  
○ Nonshorting switch.
- 11, Δ Mark is safety parts. ⊕ Mark is non polar electrolytic.
- 12, DC voltage measurements are taken with DC VTVM from chassis ground.  
□ Standard values. ( ) x 0.1
- 13, S11 Voltage adjustment switch in "240V" position.

BOTTOM VIEW



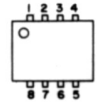
2SA564    2SC1815  
2SA722MS    2SC1885  
2SC828    2SA684NC



2SA798



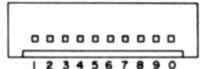
2SC1913



SVINJM 4559



SVIBA 663



SVISTK 0039N

(A), (XAL), (FE), (ES)  
(XGF), (EB)  
(AL), (EG), (XGH), (EB)