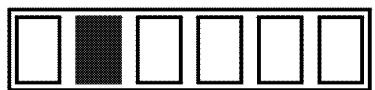
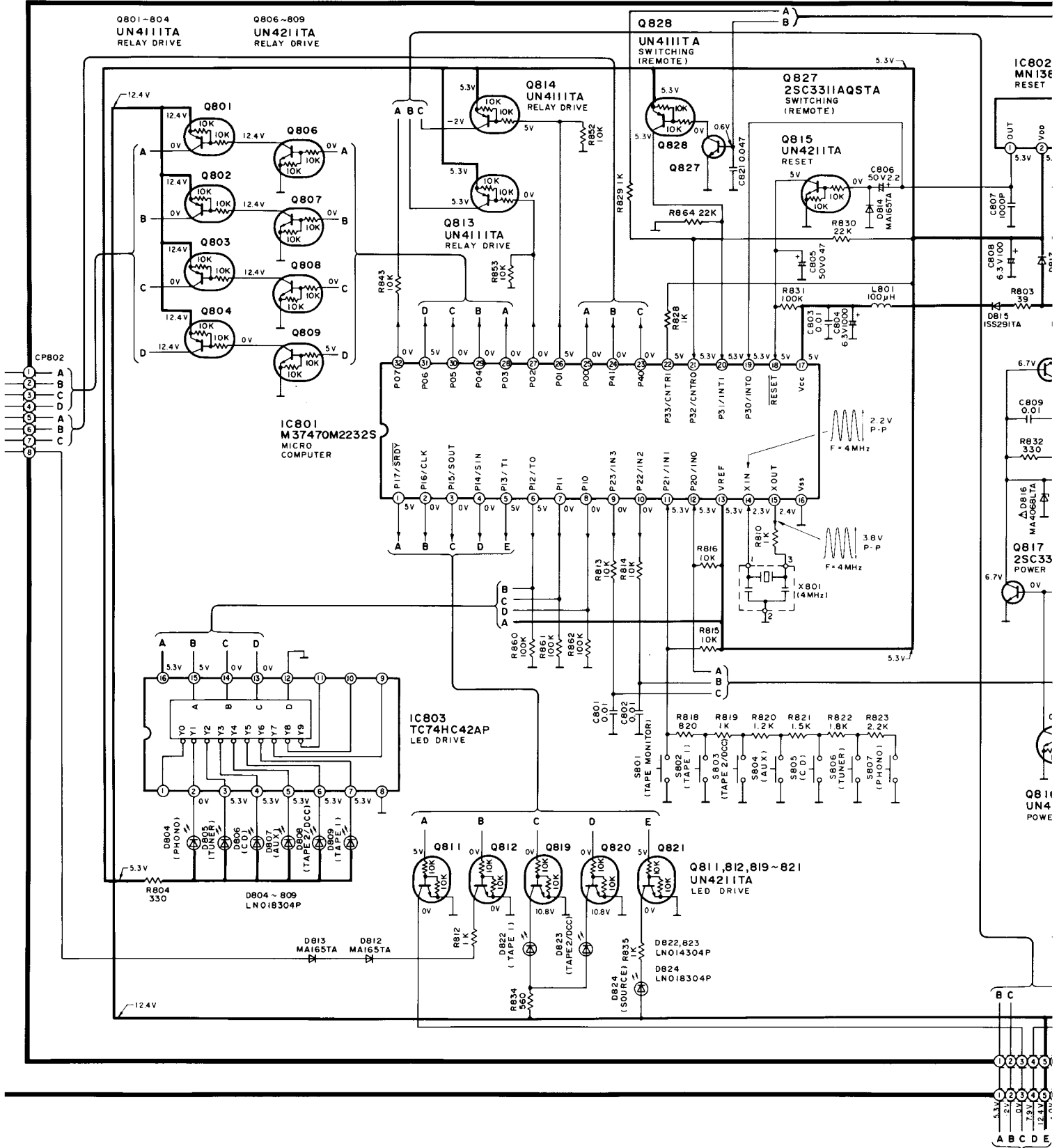
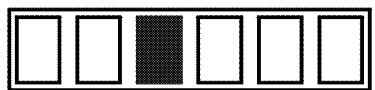
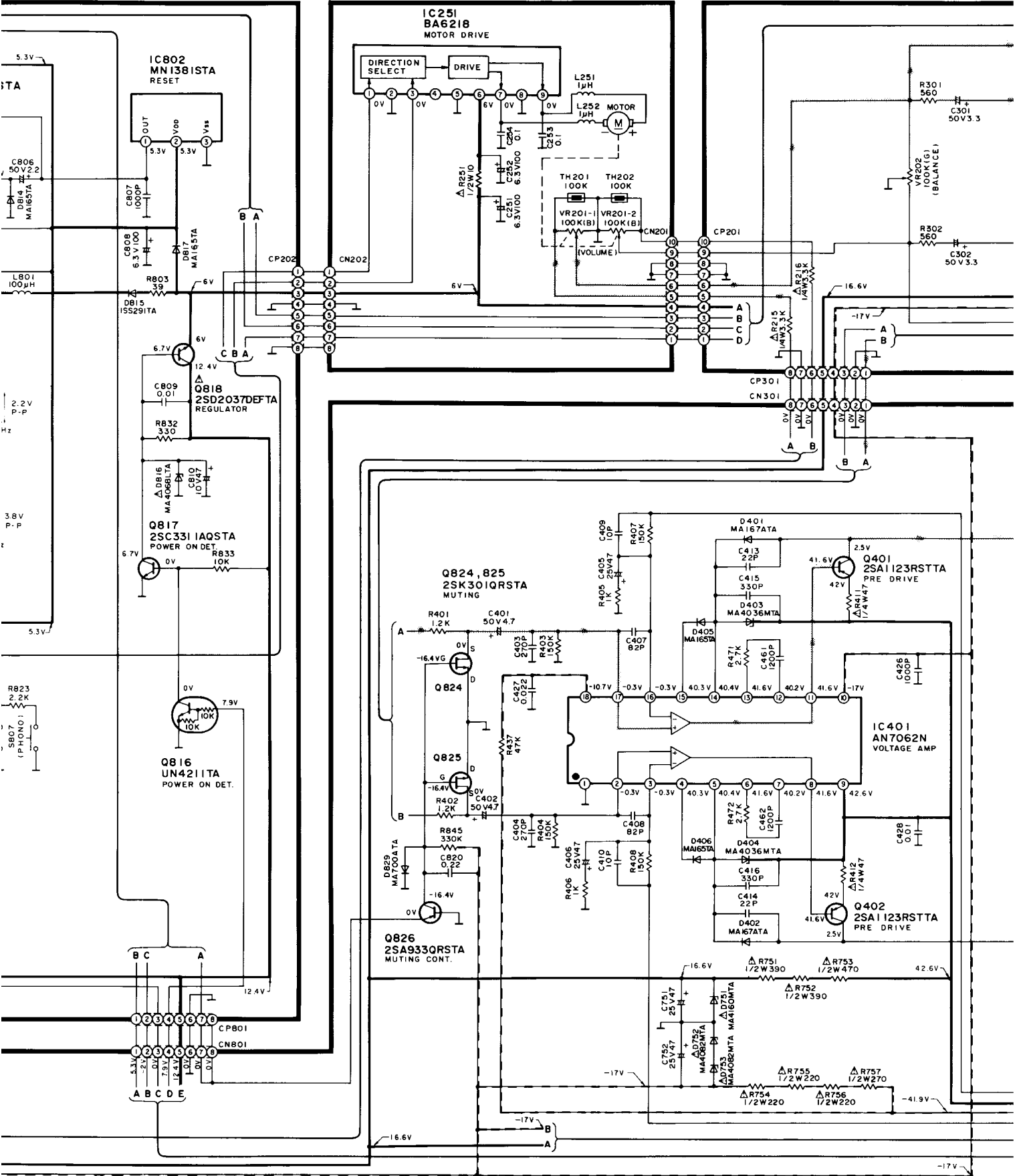


B OPERATION CIRCUIT

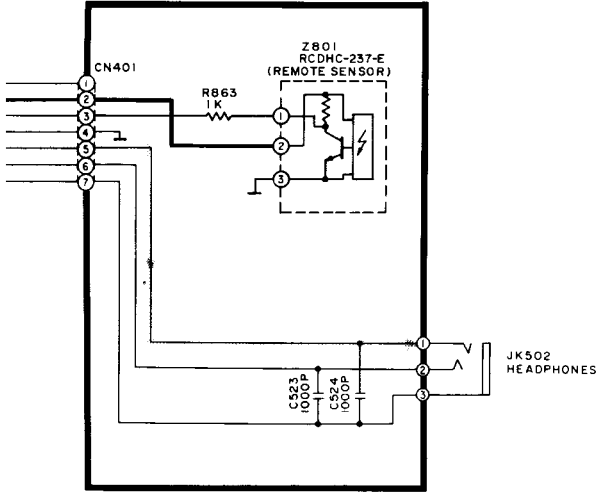


C VOLUME CIRCUIT

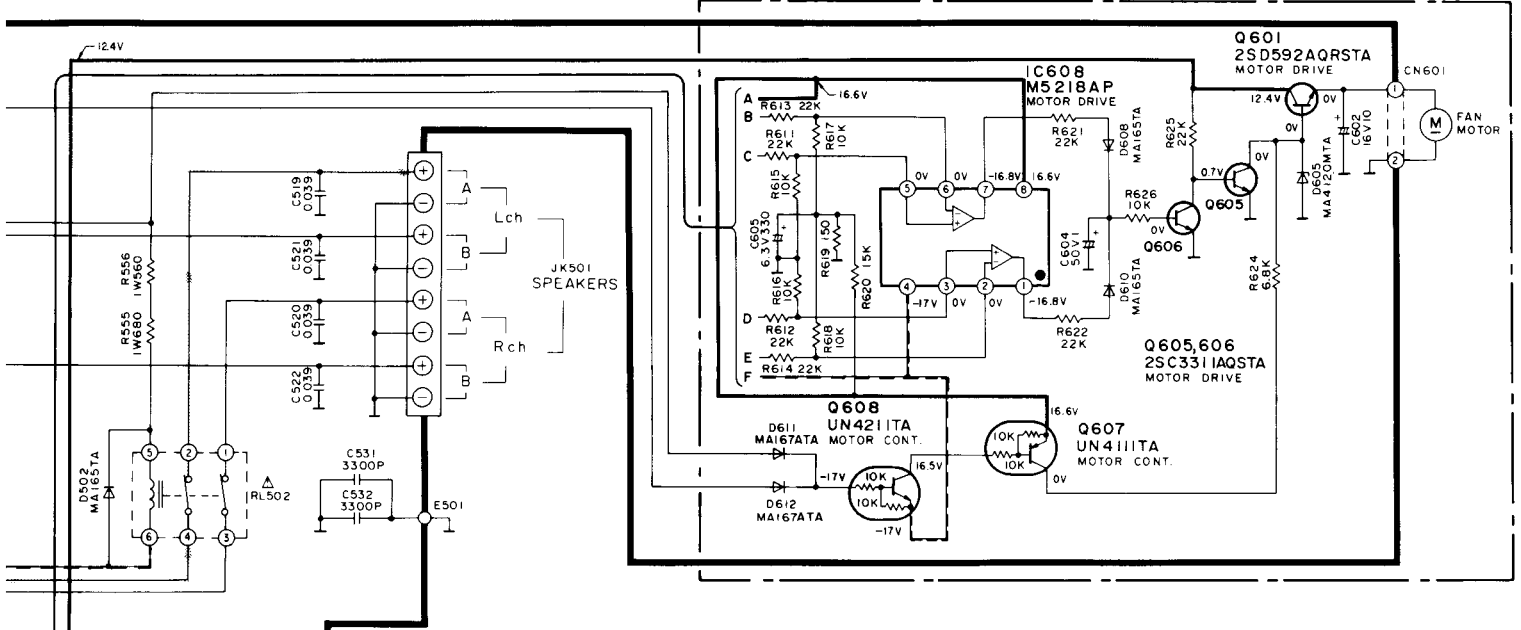
D TONE AMP CIRCUIT



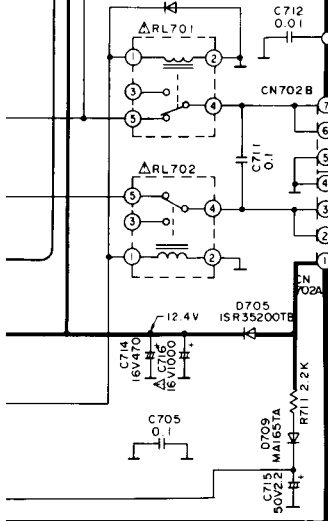
E HEADPHONES JACK CIRCUIT



For [E,B,E0] areas.



F POWER TRANSFORMER CIRCUIT



G POWER SUPPLY CIRCUIT

